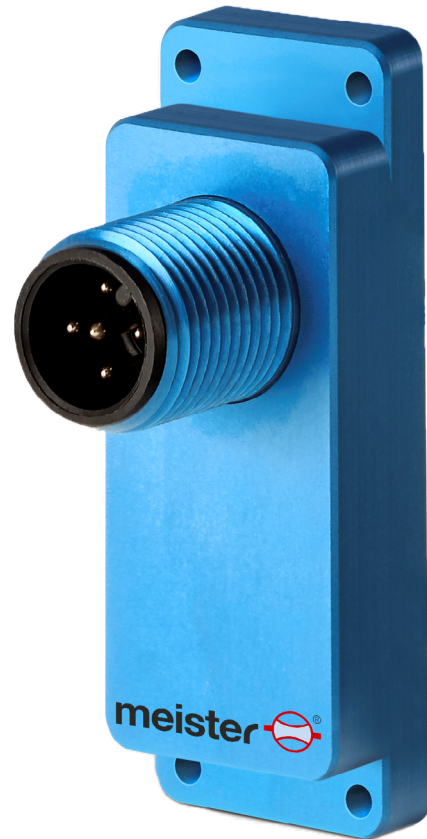


Analog Transmitter

SIGNAL 4.0



OVERVIEW

Operation

- The position of a magnetic float / piston is detected by means of Hall sensors and converted into an analog signal.

Application

- Use in combination with float-type sensors for various flow media (see table on page 2)
- Industry 4.0

Features

- Analog output (4-20 mA and 0-10 V)

Installation information

- Refer also to the applicable data sheets and operating instructions for the flow monitor!
- **Download: www.meister-flow.com**

OPERATING DATA

Accuracy	± 1 % ⁽¹⁾
Operating temperature	-20 °C - 70 °C
Storage temperature	-20 °C - 80 °C
Repeatability	tbd.

⁽¹⁾The actual accuracy depends on the flow sensor used. On request the accuracy of the flow sensor used can be significantly increased by a customized calibration.

MATERIALS

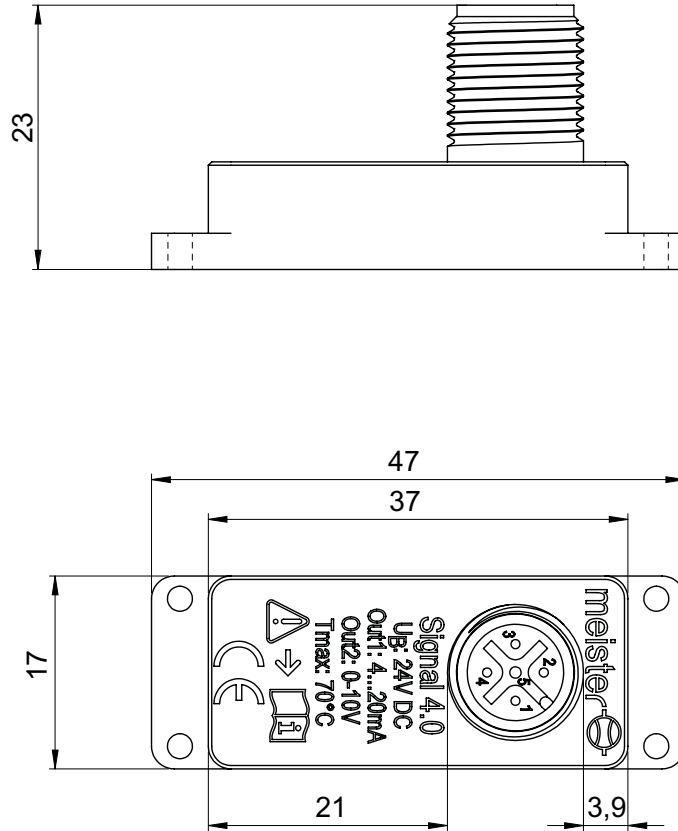
Non-wetted parts

Housing:	Aluminium, blue anodized (optional: 1.4571)
----------	--

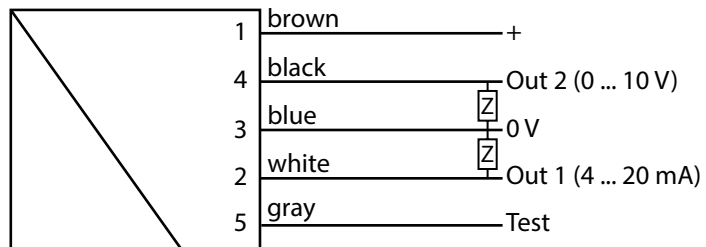
COMBINATIONS

Type		
Sensor	Transmitter	Combination
DUM	+ SIGNAL 4.0	= DUM/SIGNAL 4.0
DUM/A	+ SIGNAL 4.0	= DUM/A/SIGNAL 4.0
DWM	+ SIGNAL 4.0	= DWM/SIGNAL 4.0
DWM/A	+ SIGNAL 4.0	= DWM/A/SIGNAL 4.0
RVM/U-1	+ SIGNAL 4.0	= RVM/U-1/SIGNAL 4.0
RVM/UA-1	+ SIGNAL 4.0	= RVM/UA-1/SIGNAL 4.0
RVM/U-2	+ SIGNAL 4.0	= RVM/U-2/SIGNAL 4.0
RVM/UA-2	+ SIGNAL 4.0	= RVM/UA-2/SIGNAL 4.0
RVM/U-4	+ SIGNAL 4.0	= RVM/U-4/SIGNAL 4.0
WY	+ SIGNAL 4.0	= WY/SIGNAL 4.0
DKM-1	+ SIGNAL 4.0	= DKM-1/SIGNAL 4.0
DKM/A-1	+ SIGNAL 4.0	= DKM/A-1/SIGNAL 4.0
DKM-2	+ SIGNAL 4.0	= DKM-2/SIGNAL 4.0
DKM/A-2	+ SIGNAL 4.0	= DKM/A-2/SIGNAL 4.0
DKME-1	+ SIGNAL 4.0	= DKME-1/SIGNAL 4.0
DKME/A-1	+ SIGNAL 4.0	= DKME/A-1/SIGNAL 4.0
DWM-L	+ SIGNAL 4.0	= DWM-L/SIGNAL 4.0
DWM/A-L	+ SIGNAL 4.0	= DWM/A-L/SIGNAL 4.0
RVM/U-L1	+ SIGNAL 4.0	= RVM/U-L1/SIGNAL 4.0
RVM/U-L2	+ SIGNAL 4.0	= RVM/U-L2/SIGNAL 4.0
RVM/U-L4	+ SIGNAL 4.0	= RVM/U-L4/SIGNAL 4.0
RVM/UA-L1	+ SIGNAL 4.0	= RVM/UA-L1/ SIGNAL 4.0
RVM/UA-L2	+ SIGNAL 4.0	= RVM/UA-L2/ SIGNAL 4.0

■ TECHNICAL DRAWING



■ CONNECTION DIAGRAM



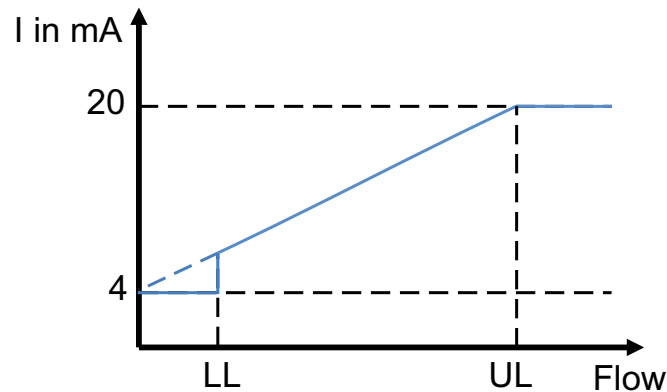
Attention:

Pin 5 must not be electrically connected! We strongly recommend use of a four core cable.

The SIGNAL 4.0 must not be removed from the basic unit. In case of a removal a loss of warranty is possible.

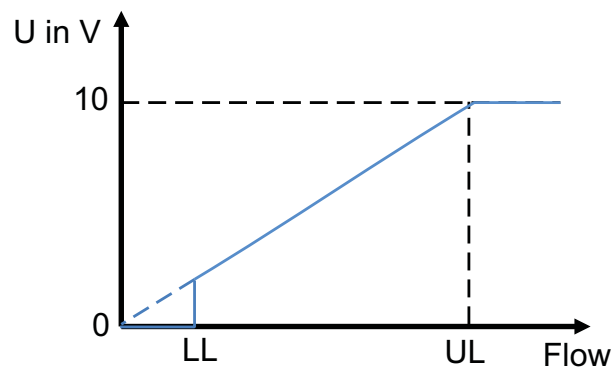
CHARACTERISTICS

Current-Flow characteristic



LL: lower limit of measuring range
UL: upper limit of measuring range

Voltage-Flow characteristic



LL: lower limit of measuring range
UL: upper limit of measuring range

ELECTRICAL DATA

Analog output

4...20 mA and 0...10 V

Power supply

24 VDC (19...30 VDC)

Power consumption

< 1 W

Current output

Max. load 600 Ω

Voltage output

Max. current 10 mA

Connection

For round plug M12x1, 5 pin

Ingress Protection

IP 65
IP 67

Notes

Please note that the flowmeter and the SIGNAL 4.0 analog transmitter have been optimally adjusted to each other and may not be exchanged!

Please also refer to the data sheets and operating instructions of the respective flowmeter!