

BATTERY CHARGER OUTLINE DRAWING
CB-UB-5420501 A/C

REFERENCE DOCUMENTS

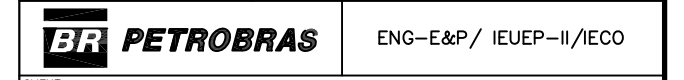
REVISION 0 TO THIS DOCUMENT IS STRICTLY IDENTICAL TO THE PREVIOUSLY SUBMITTED FOR P-74 PLATFORM UNDER NUMBER I-DE-3010.OJ-5420-714-SJA-001 IN REVISION D

PACKAGE: DIESEL HYDRAULIC FIRE WATER PUMPING UNIT			
RM No.: I-RM-3010.OJ-5420-311-EA9-701 (6R46-001)			
SERIAL Nr.	OED Nr.	TAG Nr.	PUMP TYPE
154.422 A/B	261.988-05	B-UB-5420501-01 B/C	BKn 400-420-1s/030
154.515 A	261.988-11	B-UB-5420501-01 A	BKn 400-420-1s/030
154.423 A/B/C	261.988-06	B-UB-5420501-02 A/C	Z 400-6500

REV.	DESCRIPTION	DATE	EXEC.	CHECK	APPROVAL
0	CERTIFIED	31/MAR/14	BHR	AG	RKK

THE INFORMATION CONTAINED IN THIS DOCUMENT IS PETROBRAS PROPERTY AND MAY NOT BE USED FOR PURPOSES OTHER THAN THOSE SPECIFICALLY INDICATED HEREIN. THIS FORM IS PART OF STANDARD PETROBRAS N-381 - REV L - ANNEX A.

EEP / SULZER BRASIL S.A.	SULZER DOC. No.: E3-154423-221
	CONTRACT No.: CT-MECO09E00
	TECHNICAL RESP.: BRUNO ANTONIASSE
	FILE No.: I-DE-3010.OJ-5420-714-SJA-001_0.dwg



CLIENT: E & P

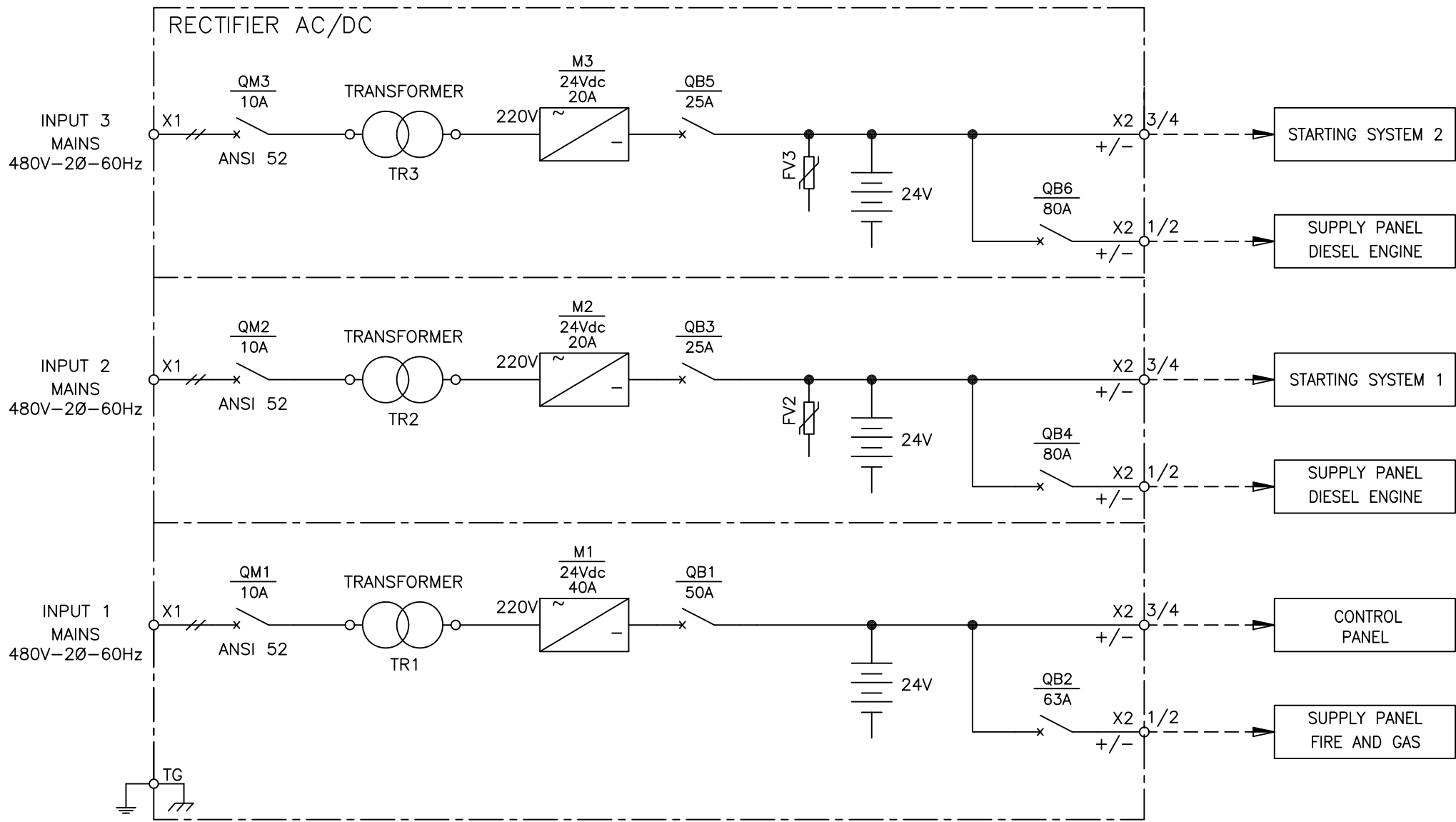
JOB: CESSÃO ONEROSA AREA DEVELOPMENT

AREA: PETROBRAS 77 (P-77)

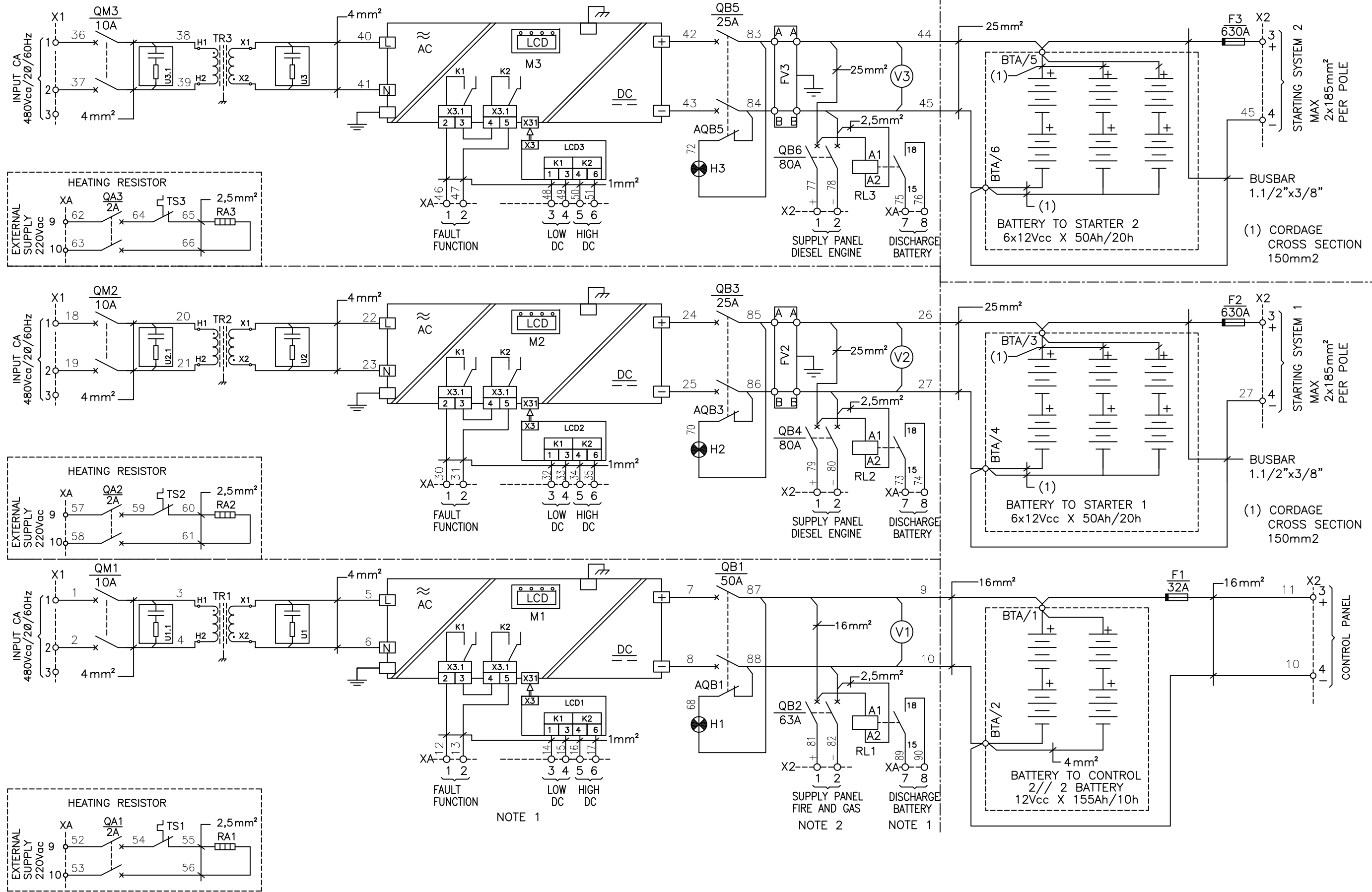
TITLE: BATTERY CHARGER OUTLINE DRAWING
CB-UB-5420501 A/C

DESIGN: SJA	EXECUTION: BRUNO	CHECK: ALOÍSIO	APPROVAL: RICARDO
SCALE: -	SIZE: A3: 297x420mm	DRAWING	SHEET: 01 of 09

DATE: 31/MAR/14 No.: I-DE-3010.OJ-5420-714-SJA-001



	DRAWING		No.: I-DE-3010.0J-5420-714-SJA-001	REV.: 0
	AREA: PETROBRAS 77 (P-77)			SHEET: 02 of 09
	TITLE: BATTERY CHARGER OUTLINE DRAWING CB-UB-5420501 A/C			



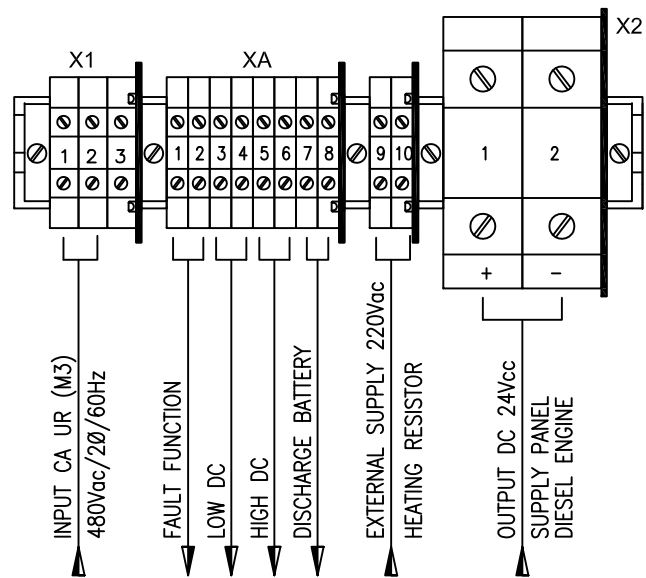
NOTE 1: CONTROL PANEL PN-UB-5420501-01
 NOTE 2: CONTROL PANEL DRAWING (FIRE AND GAS DETECTION AND CO2 SYSTEM) PN-UB-5420501-02
 NOTE 3: ORINGS: 1...90

NOTE 1

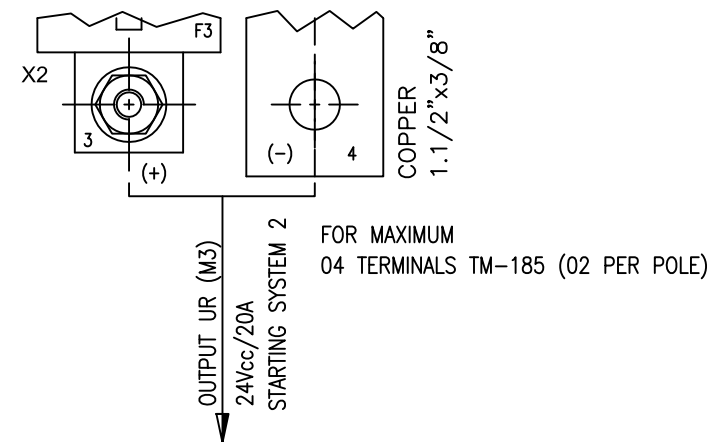


DRAWING	No.: I-DE-3010.0J-5420-714-SJA-001	REV.: 0
AREA: PETROBRAS 77 (P-77)	SHEET: 03 of 09	
TITLE: BATTERY CHARGER OUTLINE DRAWING CB-UB-5420501 A/C		

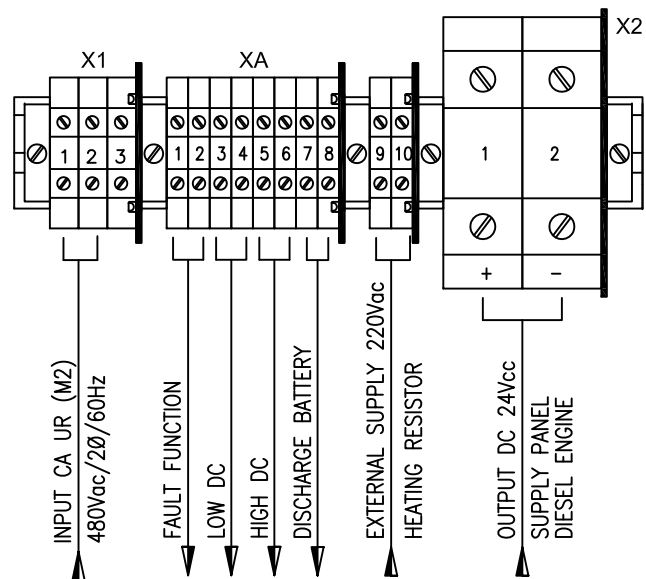
COMPARTMENT TO STARTING SYSTEM 2 RECTIFIER



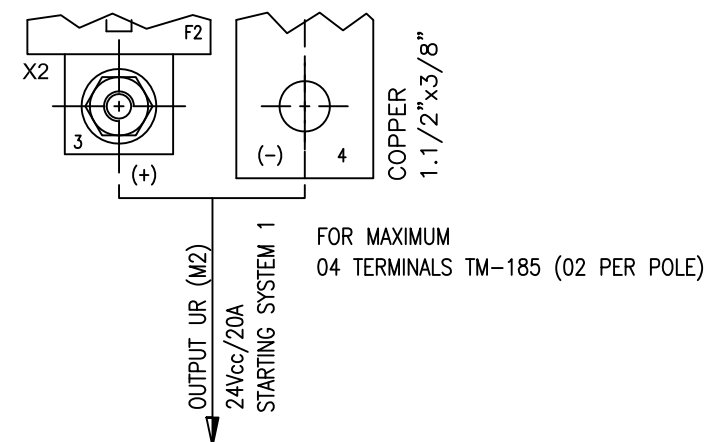
BATTERY COMPARTMENT



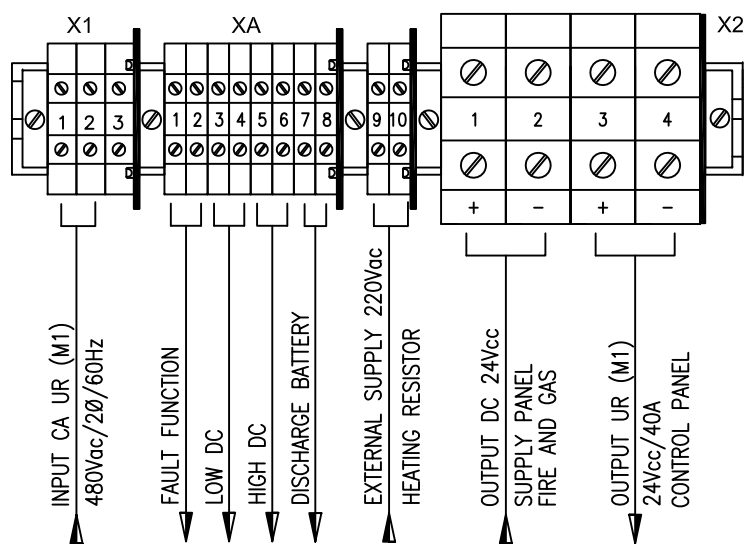
COMPARTMENT TO STARTING SYSTEM 1 RECTIFIER



BATTERY COMPARTMENT



COMPARTMENT TO CONTROL PANEL RECTIFIER



BATTERY COMPARTMENT

	DRAWING	No.: I-DE-3010.0J-5420-714-SJA-001	REV.: 0
	AREA: PETROBRAS 77 (P-77)	SHEET: 04 of 09	
	TITLE: BATTERY CHARGER OUTLINE DRAWING CB-UB-5420501 A/C		

REAR VIEW

RIGHT SIDE VIEW

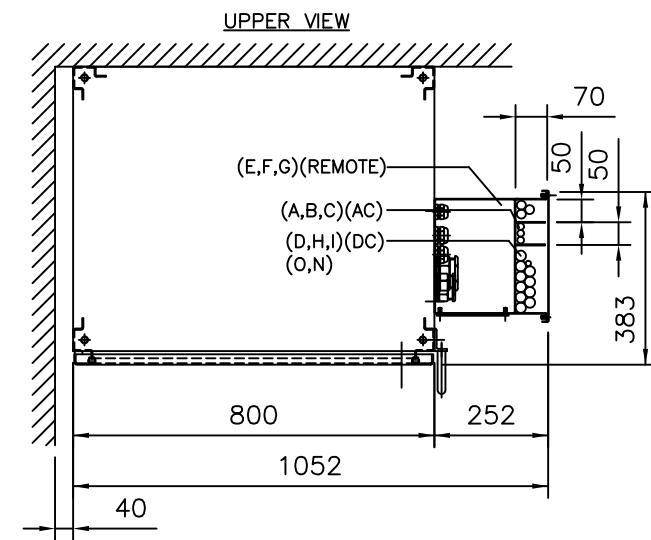
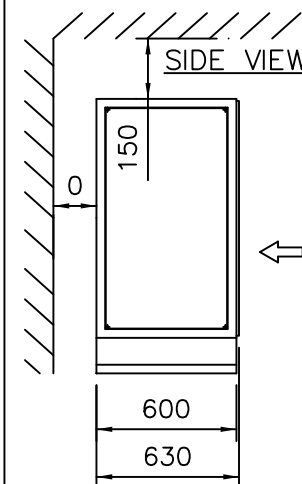
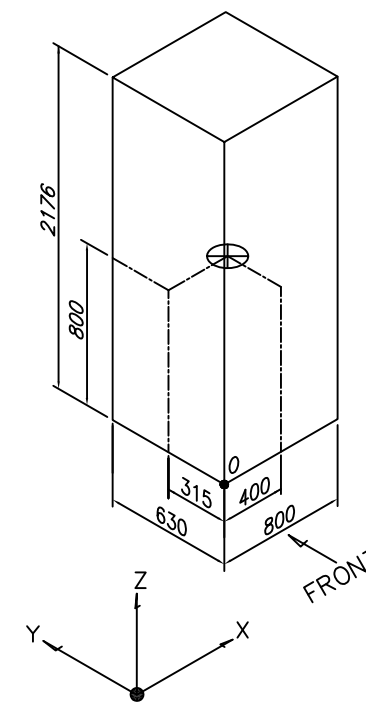
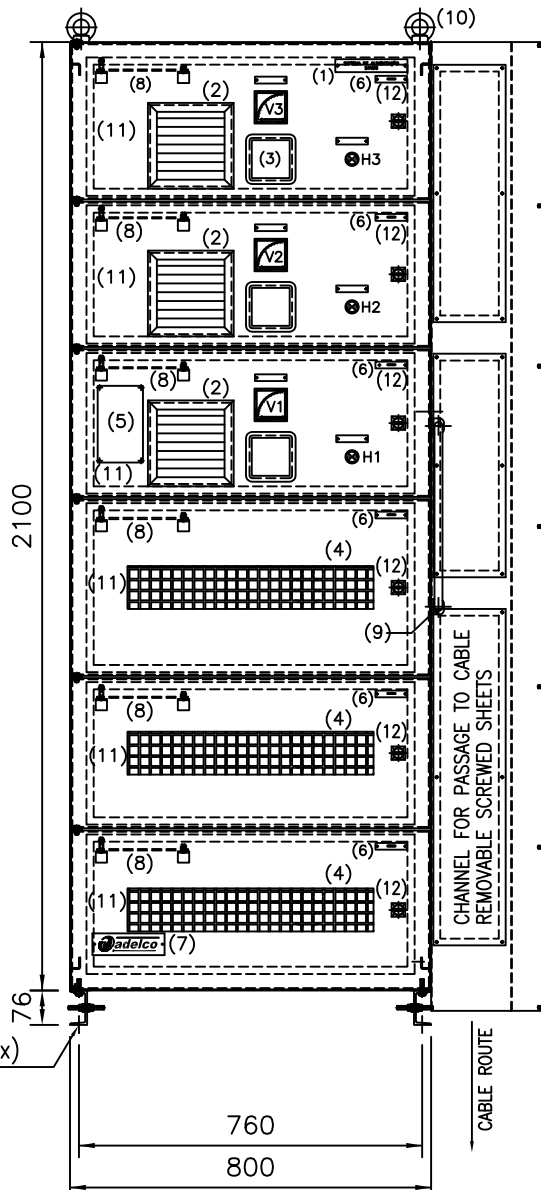
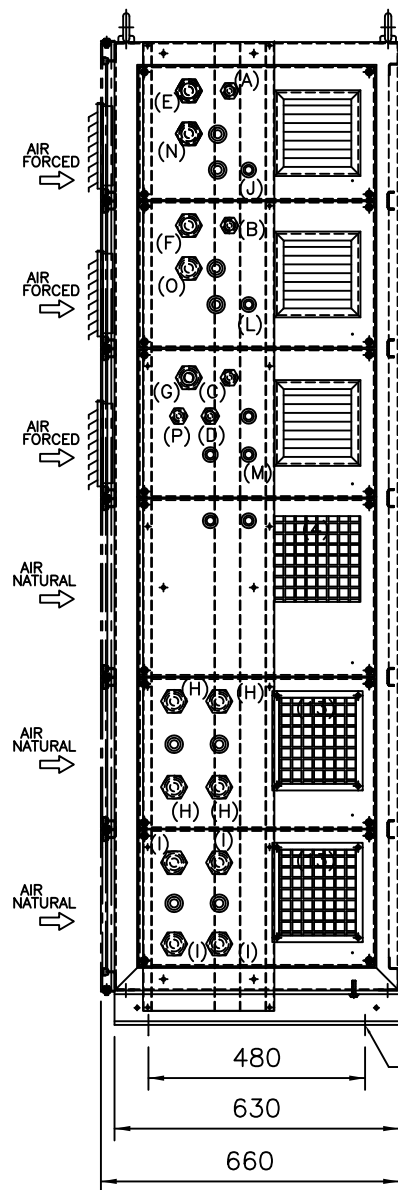
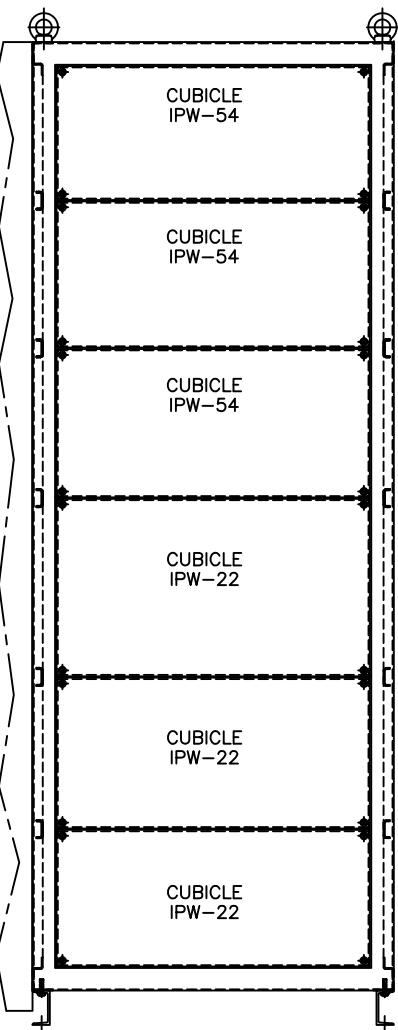
FRONT VIEW

CENTER OF GRAVITY

UPPER VIEW

SIDE VIEW

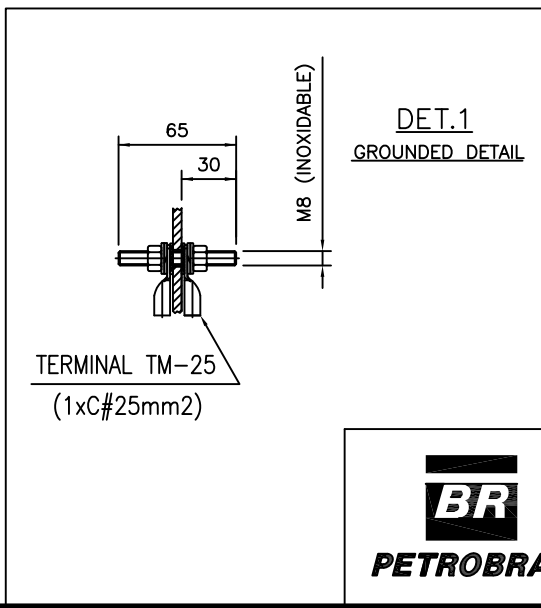
FRONT



STRUCTURE: STANDARD PROFILE 50mm
 MATERIAL: #12MSG STEEL SHEET
 DOOR: #14MSG STEEL SHEET
 SIDES AND ROOF: #14MSG STEEL SHEET
 PROTECTION DEGREE = IPW-22/54
 PAINTING - COLOR - LIGTH GREEN MUNSELL 5G 8/4
 PAINTING PROCEDURE: I-ET-3010-OF-5420-956-SJA-001 (IT-413)
 MOUNTING PLATE: ORANGE MUNSELL 2,5YR 6/14
 PAINTING PROCEDURE: I-ET-3010-OF-5420-956-SJA-001 (IT-413)
 TOTAL APPROXIMATED WEIGHT: 500Kg

LEGEND:

- 1 - IDENTIFICATION AND TAG PLATE
- 2 - COOLED GRATE WITH INTERNAL FILTER, FOR ENTRANCE AIR
- 3 - ACRYLIC VIEWFINDER
- 4 - PERFURATE SHAPE WITHOUT FILTER, FOR ENTRANCE AIR
- 5 - CHARACTERISTICS PLATE (FIXING EXTERNAL)
- 6 - RECTIFIER/ BATTERY TAG PLATE
- 7 - TRADEMARK NAMEPLATE, STAINLESS STEEL AISI-316L
- 8 - DOOR LIMITER, PETROBRAS STANDARD PPX0.2068
- 9 - HANDRAIL
- 10 - LIFTING EYE
- 11 - GROUNDING DOOR, CORD - CROSS SECTION: 3mm²
- 12 - DOOR HANDLE
- 13 - REMOVABLE GLAND PLATE



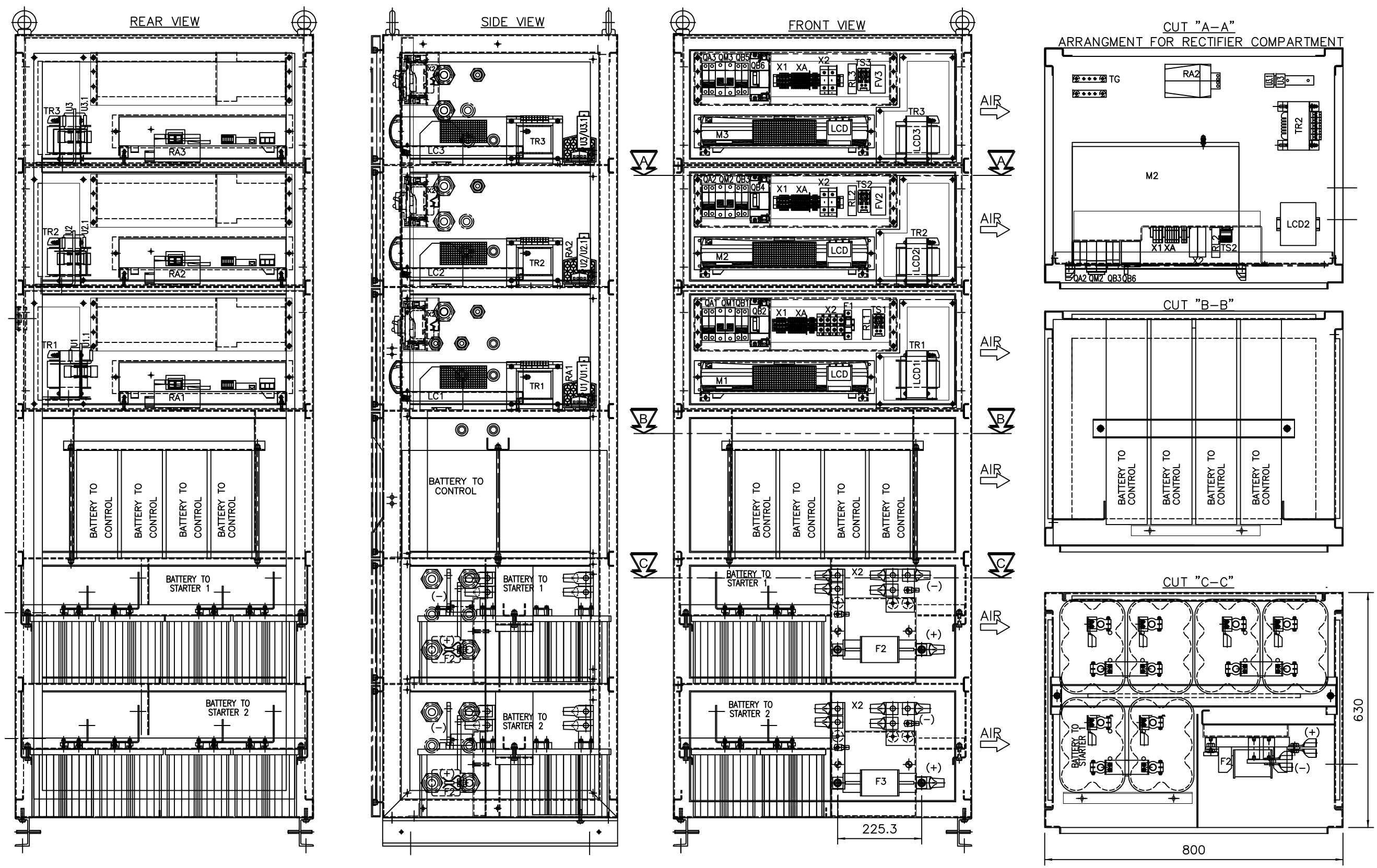
APPLICATION	CABLE GLAND	Ø CABLE RANGE (mm)	# CABLE	ØMAX CABLE EXTERNAL(mm)
(A) M3-INPUT AC	3/4"	8,0 a 11,5	1x2/C#2,5mm ²	10,5
(B) M2-INPUT AC	3/4"	8,0 a 11,5	1x2/C#2,5mm ²	10,5
(C) M1-INPUT AC	3/4"	8,0 a 11,5	1x2/C#2,5mm ²	10,5
(D) OUTPUT DC CONTROLL 1	3/4"	8,0 a 11,5	1x2/C#4mm ²	11,5
(E) M3-REMOTE	1.1/4"	18 a 25	4x2/C#1,5mm ²	18
(F) M2-REMOTE	1.1/4"	18 a 25	4x2/C#1,5mm ²	18
(G) M1-REMOTE	1.1/4"	18 a 25	4x2/C#1,5mm ²	18
(H) OUTPUT DC STARTER 1	1.1/4"	18 a 25	1x1/C#185mm ²	24
(I) OUTPUT DC STARTER 2	1.1/4"	18 a 25	1x1/C#185mm ²	24
(J) HEATING RESISTOR	3/4"	8,0 a 11,5	1x2/C#2,5mm ²	10,5
(L) HEATING RESISTOR	3/4"	8,0 a 11,5	1x2/C#2,5mm ²	10,5
(M) HEATING RESISTOR	3/4"	8,0 a 11,5	1x2/C#2,5mm ²	10,5
(N) OUTPUT DC STARTER 1.2	1.1/4"	19 a 25	1x2/C#25mm ²	20
(O) OUTPUT DC STARTER 2.2	1.1/4"	19 a 25	1x2/C#25mm ²	20
(P) OUTPUT DC CONTROLL 2	3/4"	8,0 a 11,5	1x2/C#2,5mm ²	10,5

PETROBRAS

DRAWING No.: I-DE-3010.OJ-5420-714-SJA-001 REV.: 0

AREA: PETROBRAS 77 (P-77) SHEET: 05 of 09

TITLE: BATTERY CHARGER OUTLINE DRAWING CB-UB-5420501 A/C



NOTE:

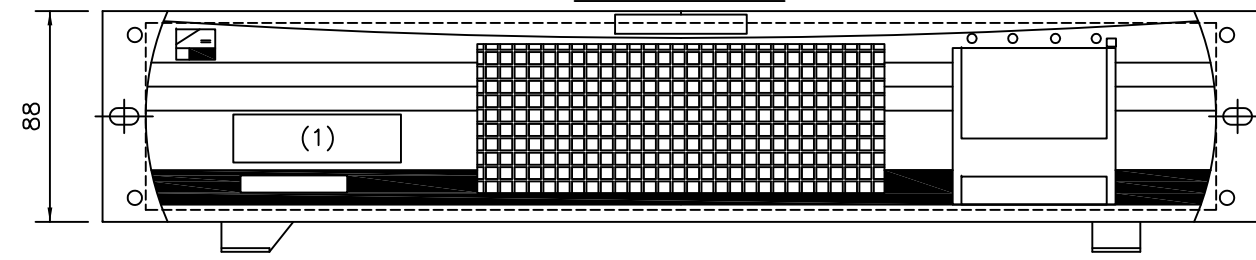
- (1) ALL EXPOSED METAL PARTS ARE EARTHED, FOR GROUNDING CONNECTOR
- (2) POLICARBONATE BOARD OF PROTECTION AGAINST ACCIDENTAL CONTACTS
- (3) - INPUT/OUTPUT CABLES ARE BY TRAY BESIDE PANEL
- (4) - PERFURATE SHAPE 8x8 , FOR ENTRANCE AIR



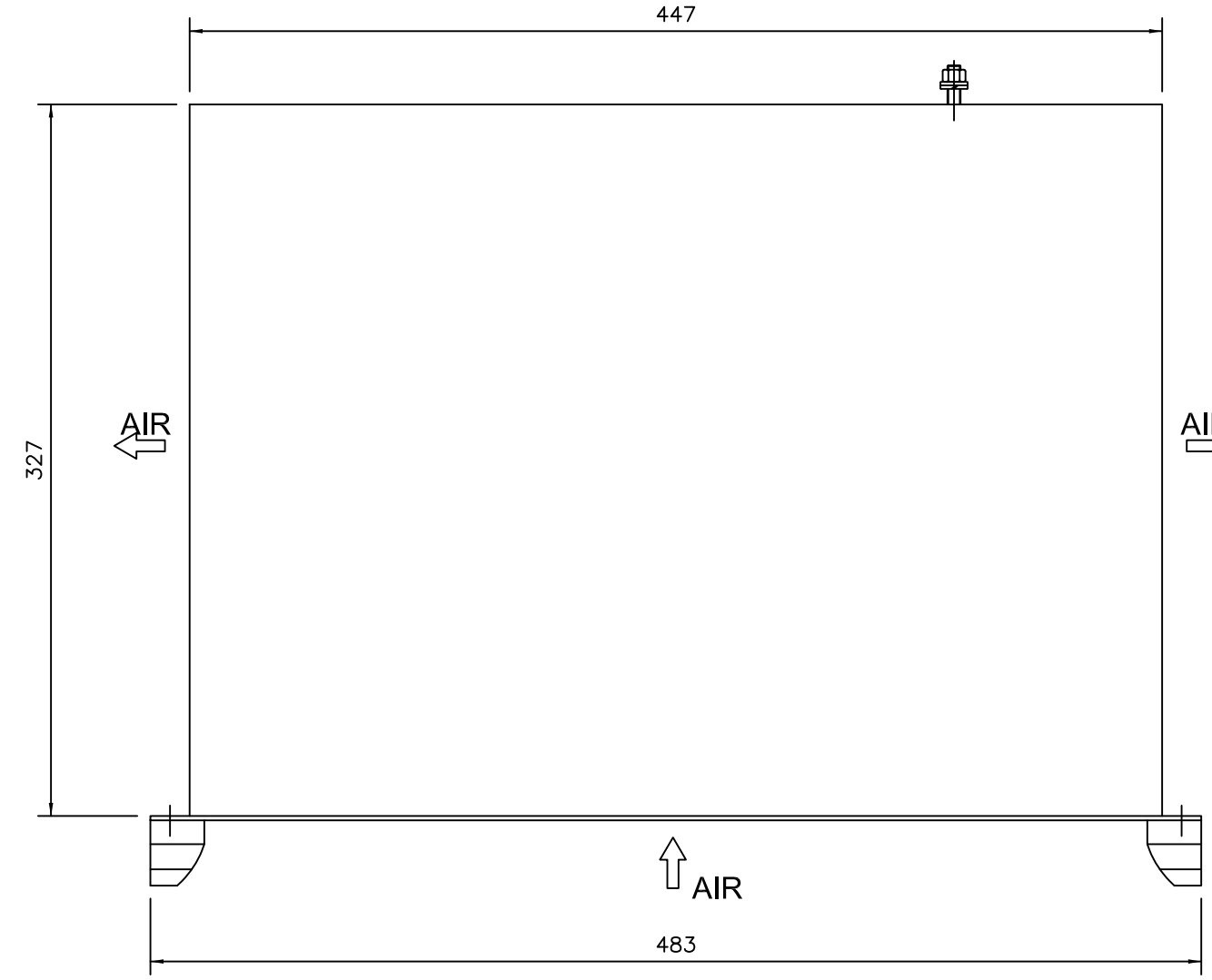
DRAWING	No.: I-DE-3010.0J-5420-714-SJA-001	REV.: 0
AREA: PETROBRAS 77 (P-77)	SHEET: 06 of 09	
TITLE: BATTERY CHARGER OUTLINE DRAWING CB-UB-5420501 A/C		

E F G H

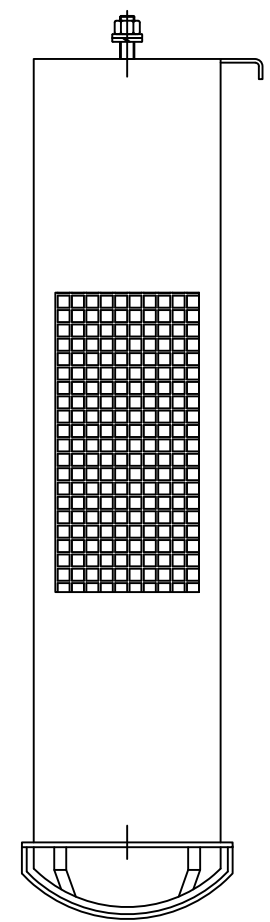
FRONT VIEW



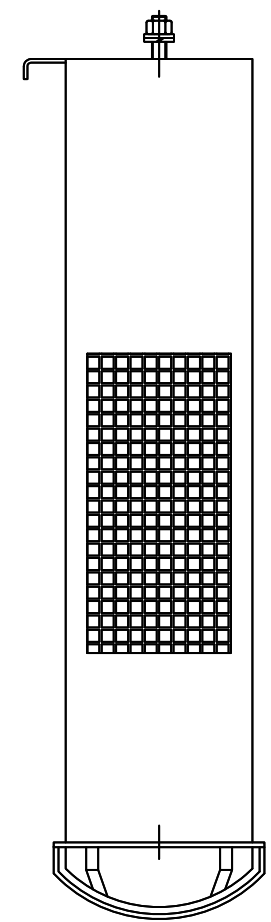
UPPER VIEW



RIGHT SIDE VIEW



LEFT SIDE VIEW



D

C

B

(1) PLATE IDENTIFICATION TAG

	DRAWING		No.: I-DE-3010.OJ-5420-714-SJA-001	REV.: 0
	AREA: PETROBRAS 77 (P-77)			SHEET: 07 of 09
	TITLE: BATTERY CHARGER OUTLINE DRAWING CB-UB-5420501 A/C			



E

F

G

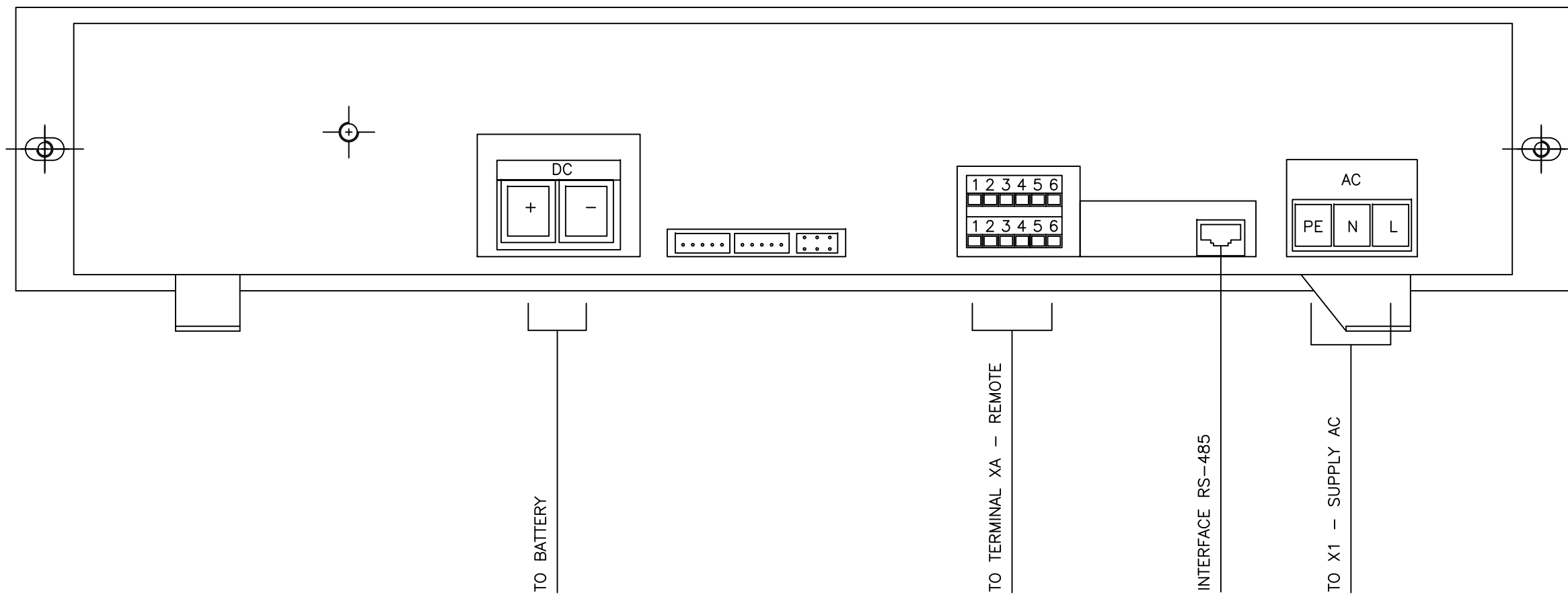
H

D

C

B

REAR VIEW



	DRAWING	No.: I-DE-3010.0J-5420-714-SJA-001	REV.: 0
	AREA: PETROBRAS 77 (P-77)	SHEET: 08 of 09	
	TITLE: BATTERY CHARGER OUTLINE DRAWING CB-UB-5420501 A/C		

ITEM	REF	QT.	MODEL	PRINCIPALS DATES	MANUFACTURER	PART -NUMBER
1.1	TR1	1	-	Transformer Notes.: Prim.: 480Vac / Sec: 220Vac; Power: 1,0 kVA	SPtrafo	17-TMO-019788
1.2	TR2, TR3	2	-	Transformer Notes.: Prim.: 480Vac / Sec: 220Vac; Power: 500 VA	SPtrafo	17-TMO-018205
2.1	M1	1	ADC	Switched rectifier power module, Vsupply: 220Vac, Vout:24Vdc, Iout: 40A	Benning	09-UGR-019297
2.2	M2, M3	2	ADC	Switched rectifier power module, Vsupply: 220Vac, Vout:24Vdc, Iout: 20A	Benning	09-UGR-019298
3.1	X1/1..3	9	SAK 6EN, C019326.01	Through terminal Material: poliamida, Color: beige Imax: 44A, Umax: 750V, Section: 0.5..6mm²	Conexel	06-BOC-000247
3.2	X2/1..4 (M1)	4	SAK 35EN, C0303556.01	Through terminal Material: poliamida, Color: beige Imax: 135A, Umax: 750V, Section: 10..35mm²	Conexel	06-BOC-000255
3.3	X2/1..2 (M2 e M3)	4	WDU 70N, 9512190000	Through terminal Material: poliamida, Color: beige Imax: 207A, Umax: 750V, Section: 16..70mm²	Conexel	06-BOC-000258
3.4	X1/XA	9	APPA,C011796.01	Cover plate Material: poliamida, Color: beige For Terminals SAK 4EN, SAK 6EN, SAK 10EN	Conexel	06-AXC-000286
3.5	X2/4 (M1)	1	AP PA,C030366.01	Cover plate Material: poliamida, Color: beige For Terminals SAK 35EN	Conexel	06-AXC-006231
3.6	XA/1..10	30	SAK 2,5EN, C027966.01	Through terminal Material: poliamida, Color: beige Imax: 26A, Umax: 750V, Section: 0.5..2,5mm²	Conexel	06-BOC-000244
3.7	X1/X2/XA	15	EWK1, C020616.00	Post Material: poliamida, Color: beige For rail TS32	Conexel	06-AXC-000314
3.8	X1/X2/XA	1	TS-32AL,C020616.00	Rail Material: Aluminium	Conexel	06-TXB-000322
3.9		24	-	Universal terminal to battery terminal Material: Copper	Arsal	06-TPL-019549
4.1	-	1	NORVAX IH RW	EPR Flexible cable Section: 4mm², Isolation: 0,6/1kV- 155°C – Color: Black	Fnce	14-CBE-007575
4.2	BT1/3..6	1	EPR Flexible cable	Cooper Cordage Section:150mm2	Indel	14-CCF-017802
4.3		1	NORVAX IH RW	EPR Flexible cable Section: 1mm², Isolation: 0,6/1kV- 155°C – Color: Black	Fnce	14-CBE-001883
4.4	QM1,2,3	3	S802S-C10	Two pole circuit breaker Idc: 50kA@230Vac, 30kA@440Vac Vmax: 690Vac, In: 10A, Curve C	ABB	02-DJT-018049
4.5	QA1,2,3	3	S62-C02	Two pole circuit breaker Idc: 6kA@230Vac/440Vac Vmax: 440Vac, In: 2A, Curve C	ABB	02-DJB-004814
4.6	QB1	1	S202-C50	Two pole circuit breaker Idc: 20kA@230Vac, 10kA@440Vac, 10kA@125Vcc Vmax: 440Vac, In: 50A, Curve C	ABB	02-DJB-016233
4.7	QB3 QB5	2	S202S-C25	Two pole circuit breaker Idc: 50kA@230Vac, 30kA@440Vac Vmax: 440Vac, In: 25A, Curve C	ABB	02-DJB-013867
4.8	QB4 QB6	2	A1N125TMF802PFF	Two pole circuit breaker Idc: 50kA@230Vac, 25kA@440Vac, 10kA@250Vcc Vmax: 550Vac/250Vcc, In: 80A	ABB	02-DJB-018921
4.9	QB2	1	A1N125TMF632PFF	Two pole circuit breaker Idc: 50kA@230Vac, 25kA@440Vac, 10kA@250Vcc Vmax: 550Vac/250Vcc, In: 63A	ABB	02-DJB-019386
4.10	F1	1	GAB010038	Delay time fuse, Cartridge 10x38mm Idc: 100kA@500Vac Ue: 500Vac, In: 32A	DCA	04-FUC-009713
4.11	F1	1	5601015	Fuse hold Cartridge RM 32 – 1p – 10 x 38	Socomec	04-AXF-000129
4.12	F2..F3	2	3NH3 430-3YB	Fuse hold Fixation surface For fuse NH1	Siemens	04-AXF-011471
4.13	F2..F3	2	3NA3 372	Delay time fuse, type: NH3 Idc: 120kA@500Vac 100kA@250Vdc Ue: 500Vac/250Vdc, In: 630A	Siemens	04-FNH-015627
4.14		1	Medium, PPX0.0007 FI.02	Nameplate to logotype of aluminum Dim: 160 x 48 x 2mm Insc: "ADELCO"	TECNOGRAV	24-PAL-000972
4.15		1	Special	Nameplate by stainless steel Dim: 170 x 100 x 1mm Inscriptions according drawing: Notes.: according to drawing: 11313.A1/73.22 – sheet 1	TECNOGRAV	24-PAI-009165
4.16		1	Special	Nameplate by stainless steel Dim: 169x 29 x 2mm Inscriptions according drawing: Notes.: according to drawing: 11313.A1/73.22 – sheet 1	TECNOGRAV	24-PAI-007417
4.17		1	Torcida	Cooper Cordage Section:3mm	Wetzel	14-CCF-002057
4.18		6	1.130.122.200	Keylock type split , body 20 adjustment 28 to38 mm Base djustable	Unikey	24-AXG-019374
4.19		4	OSP16, SWL 070T	Lifting eye, Dim: M16, type: nut Notes: peaces with bath zinc-nikel	Coforja	24-AXG-001643

ITEM	REF	QT.	MODEL	PRINCIPALS DATES	MANUFACTURER	PART -NUMBER
4.20		6	PPXX.20.68	Limited of door, still Type: Petrobrás Notes:piece with bath zinc-nikel	Adelco	24-AXG-007490
4.21		6	Foehn, AF190	Cooled Grate, Aluminium Dim:190 x 190mm	Unikey	24-AXG-019117
4.22		6	A 020	Air Filter Dim: 190 x 190mm For cooled grate model Foehn, standard	Uniklima	24-AXG-007425
4.23		3	98001	Polycarbonate Viewfinder Dim:110 x 110 x 5mm	Tasco	24-AXG-019301
4.24		4	PG16, 81016	Cable Gland Material:Thermoplastic,screw :M22 For cables diameter:10 to 14mm	Tasco	24-PCB-006298
4.25		8	PG21, 86029	Cable Gland Material:Thermoplastic,screw :M22 For cables diameter:18 to 25mm	Tasco	24-PCB-017177
4.26		3	FXHC 010, REF.010.0150	Heating resistance Un:110/220Vca,Fn:150W	Paley	05-RAQ-019291
4.27		3	FXC 060	Thermostat- 0 to 60°C 1NF, Ue:250Vca, Iac14:10A@250V; 15A@120V *Ref:060.0-60	Fixxis	24-TCT-018087
4.28		8	BK-A2-AI 3/4" NPT	Cable Gland Material: Stainless Steel, Screw:3/4" NPT For not armored cables diameter: 8 to 11,5mm	Sandler	24-PCB-013113
4.29		13	BK-A2-AI 1.1/4" NPT	Cable Gland Material: Stainless Steel, Screw:1.1/4" NPT For not armored cables diameter: 18 to 25,5mm	Sandler	24-PCB-012540
4.30						
4.31	OUT M1	1	NORVAX IH RW	EPR Flexible cable Section: 16mm², Isolation: 0,6/1kV- 155°C – Color: Black	FNCE	14-CBE-007578
4.32	OUT M2 AND M3	1	NORVAX IH RW	EPR Flexible cable Section: 35mm², Isolation: 0,6/1kV- 155°C – Color: Black	FNCE	14-CBE-007580
4.33	LCD1...LCD3	3	CL-40	Relay Board 5 contacts NOC	Benning	-
4.34	AQB1/3/5	3	S2C-H6R	Auxiliary contact, 1NOC For Circuit Breakers Model S200	ABB	02-DPP-013317
4.35	RL1..RL3	3	DPVM-1	Under Voltage Relay Adjust: 18 to 30Vdc *1Noc, Vsupply: 17 to 31Vdc	Digimec	02-RLG-020311
4.36	H1..H3	3	HD16-22D/R-24	Signalling-lamp Ø22,5mm Color: Red, Vsupply: 24Vac/Vdc Type:LED high brightness, drilling Ø22,5mm	BHS	07-SML-017739
4.37	V1..V3	3	BM-72	Moving coil voltmeter, 72x72 Scale: 0..30Vdc Field: direct measurement accuracy: 1,5%	ENGRO	08-VTB-006780
4.38	U1..U3 U1.1..U3.1	6	PSN	Snubber circuit board R:100 Ω /5W-C:1 µF	ADELCO	09-UGR-007131

BATTERY STARTER 1,2

1.1	BT1, BT2	12	34M-BlueTop	Sealed lead acid battery Cap: 50Ah/10h, Un:12Vdc	OPTIMA	40-RFB-019028
-----	----------	----	-------------	---	--------	---------------

BATTERY TO CONTROL

1.1	BT control	4	FNC-121550-FC	VRLA battery Cap: 155Ah/10h, Un:12Vdc	NewMax	40-RFB-019031
-----	------------	---	---------------	--	--------	---------------

	DRAWING		No.: I-DE-3010.0J-5420-714-SJA-001	REV.: 0
	AREA: PETROBRAS 77 (P-77)			SHEET: 09 of 09
	TITLE: BATTERY CHARGER OUTLINE DRAWING CB-UB-5420501 A/C			