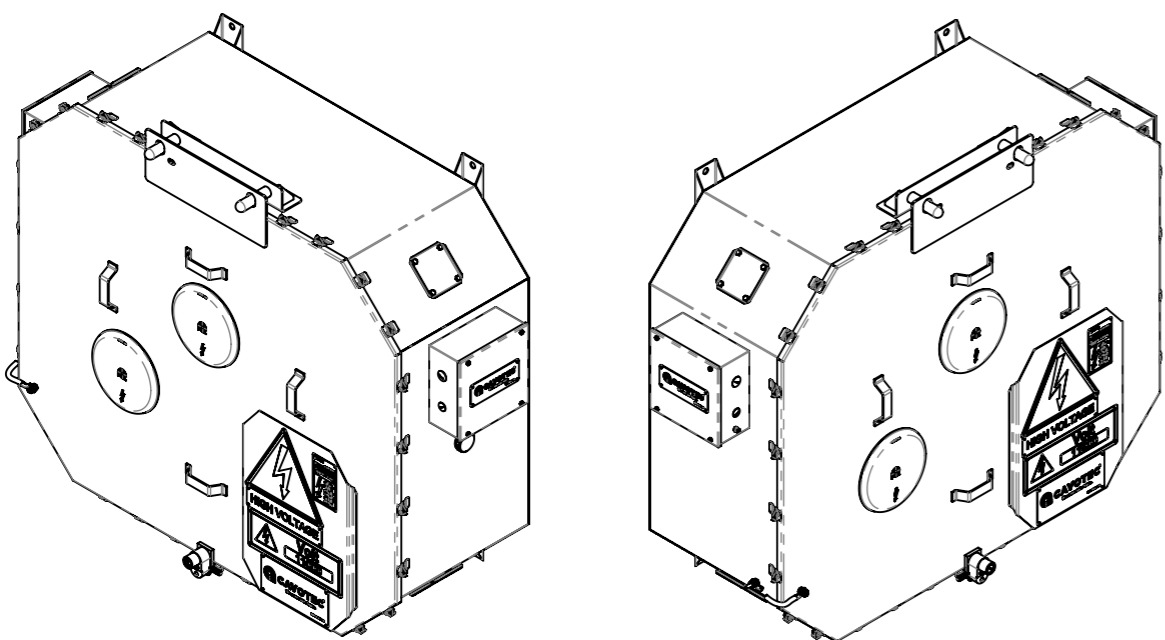
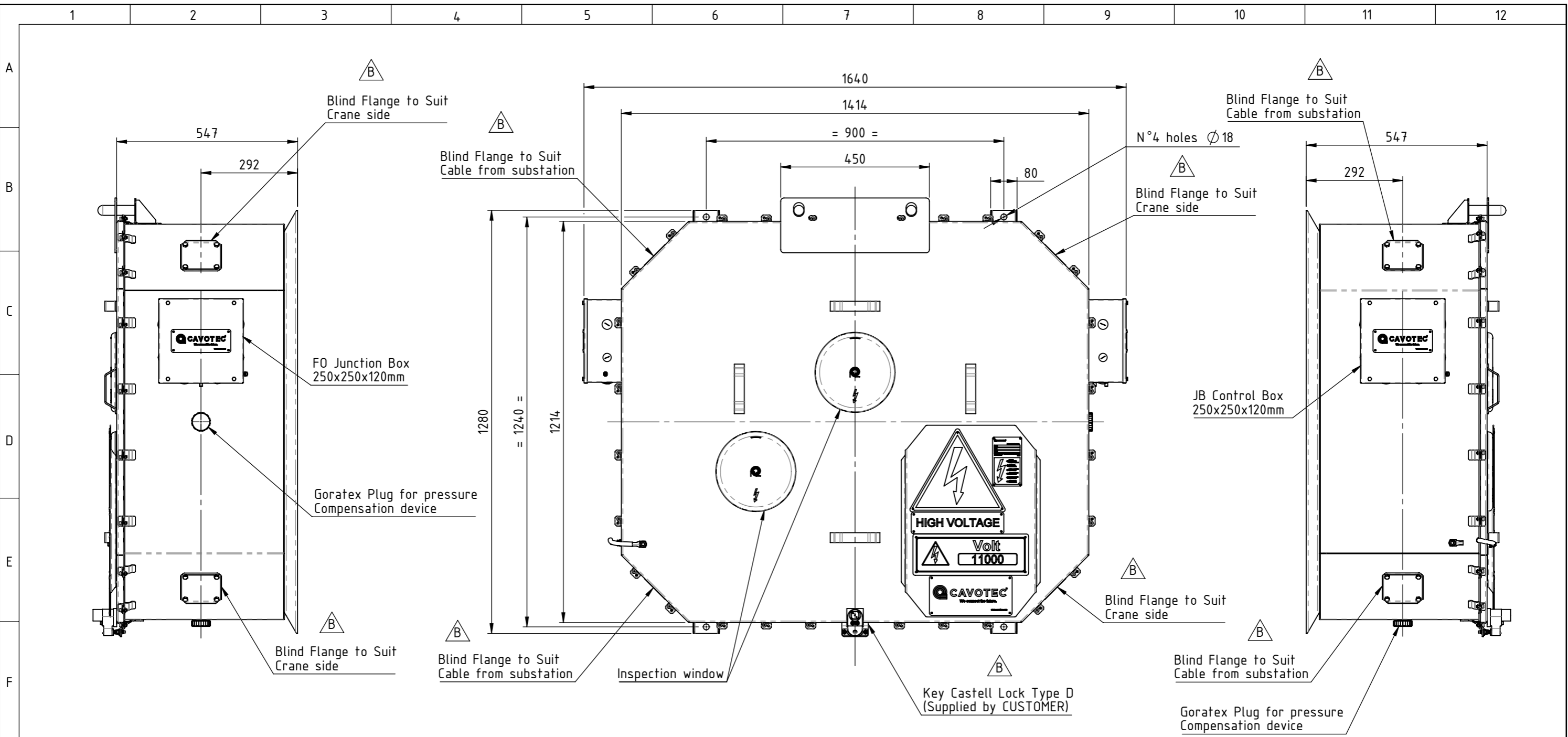


Date Printed: 12 Aug, 2021



Protection Rating IP66

**CAVOTEC**  
 Cavotec Italy - Nova Milanese (MB) Italy  
 www.cavotec.com

DRAWING NUMBER: <b>SC-2102376-IS2</b>		REVISION: <b>B</b>
PART NUMBER: SC-2102376-IS2		APPROVED: FN
MATERIAL: AISI 316	TITLE: Junction Box 11kV+Control+24FO IP66 AISI 316	
FINISH: SEE	INFO:	MASS (kg): 159
DIMENSIONS IN mm UNLESS OTHERWISE STATED	TOLERANCING: ISO 2768-mK	SCALE: 1:12 SHEET SIZE: A3 SHEET: 1 OF 2

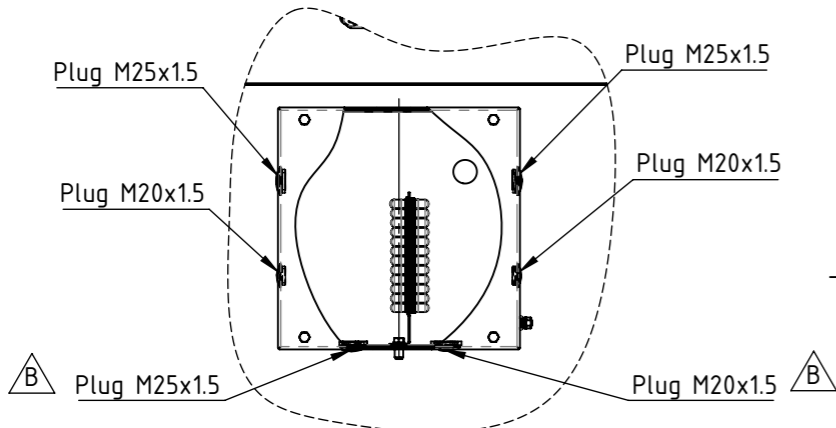
B	Updated points from the Client: Lock Type changed Added Plug M25 and M20 in Control and FO Junction Box Blind Flange Cable Entry Exit descriptions updated	Raghu	12 Aug, 2021	
REV	DESCRIPTION	DRAWN BY	DATE	REF. ECO

Any changes to this drawing must be authorised by an ECO and made on CAD.

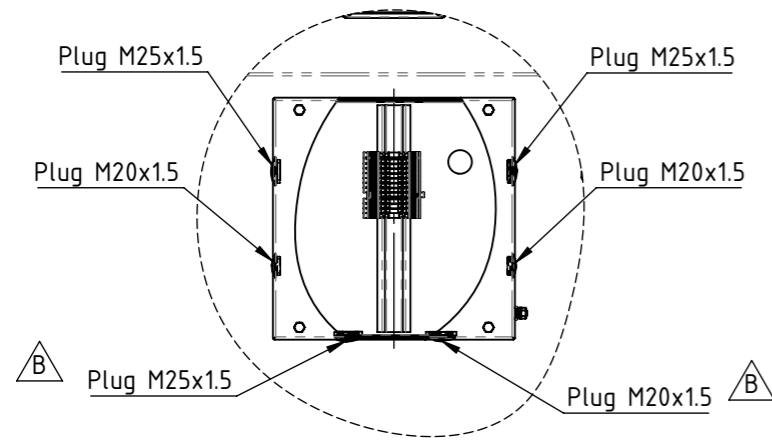
Date Printed: 12 Aug. 2021

1 2 3 4 5 6 7 8 9 10 11 12

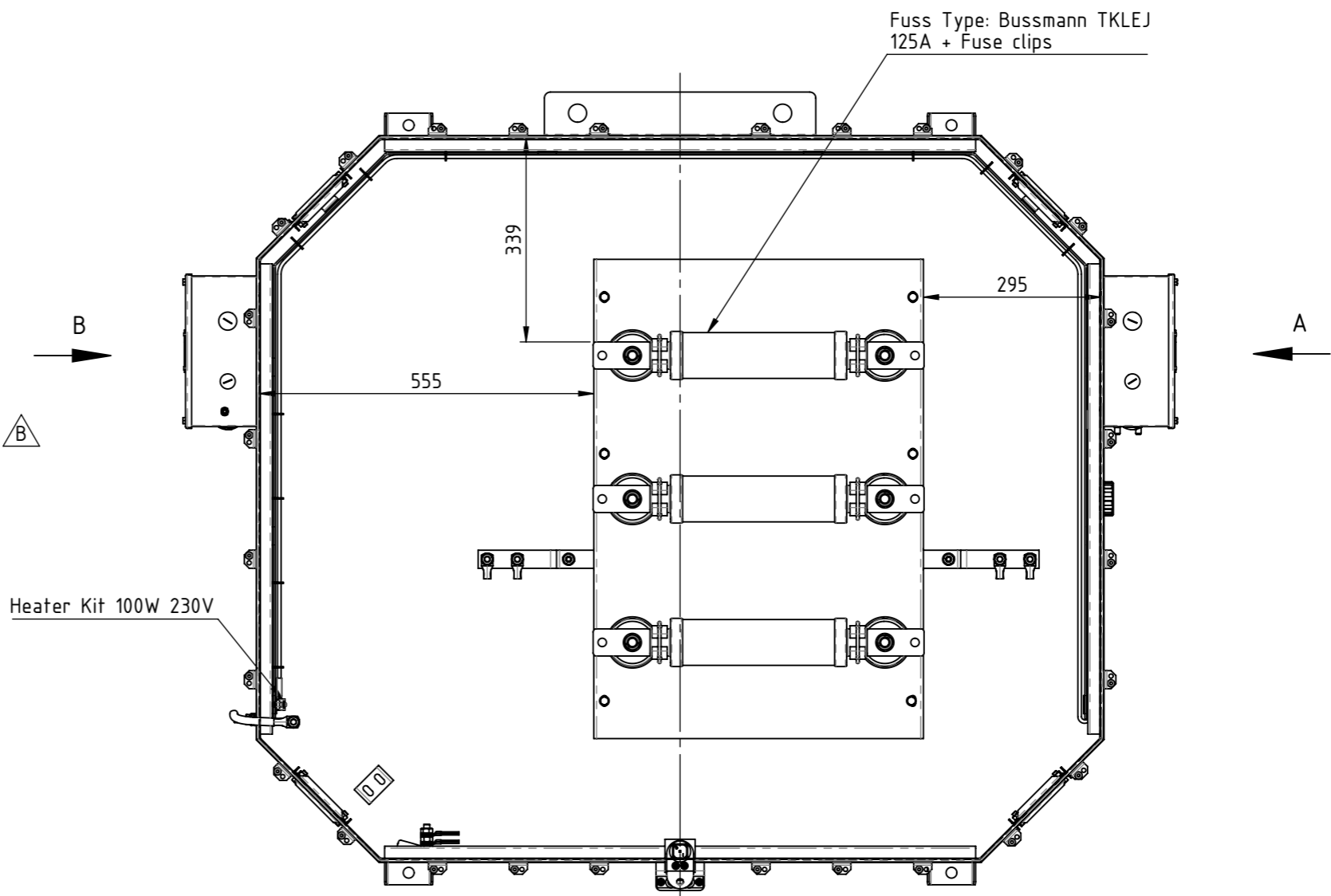
A  
B  
C  
D  
E  
F  
G  
H  
I



24FO ST Multimode Junction Box  
VIEW A  
SCALE 1 : 8



Control Junction Box  
VIEW B  
SCALE 1 : 8



TOP COVER HIDDEN FOR CLARITY

		<small>This drawing and the rights and privileges in this drawing are the property of Cavotec. This drawing or any part thereof must not be copied, reproduced or communicated to any person, or otherwise used beyond the purposes for which it is provided, without written permission of Cavotec ©</small>	
Cavotec Italy - Nova Milanese (MB) Italy		<a href="http://www.cavotec.com">www.cavotec.com</a>	
DRAWING NUMBER:		REVISION:	
SC-2102376-IS2		B	
PART NUMBER:		APPROVED:	
SC-2102376-IS2		FN	
MATERIAL:	AISI 316	TITLE:	Juntion Box 11kV+Control+24FO IP66 AISI 316
FINISH: SEE	INFO:	MASS (kg):	159
DIMENSIONS IN mm UNLESS OTHERWISE STATED		TOLERANCING:	ISO 2768-mK
SCALE:	1:10	SHEET SIZE:	A3
SHEET:	2 OF 2		

Any changes to this drawing must be authorised by an ECO and made on CAD.