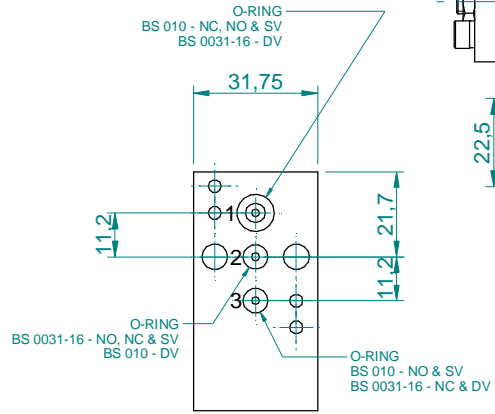
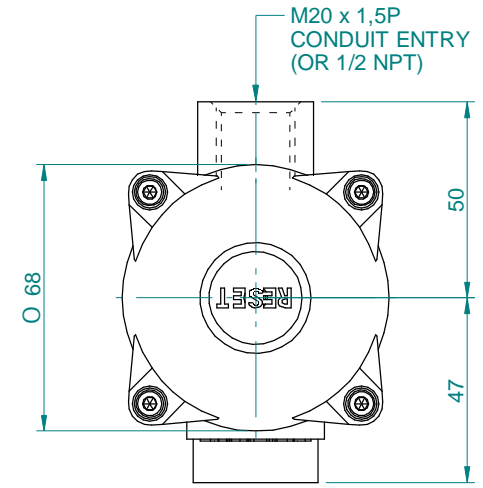
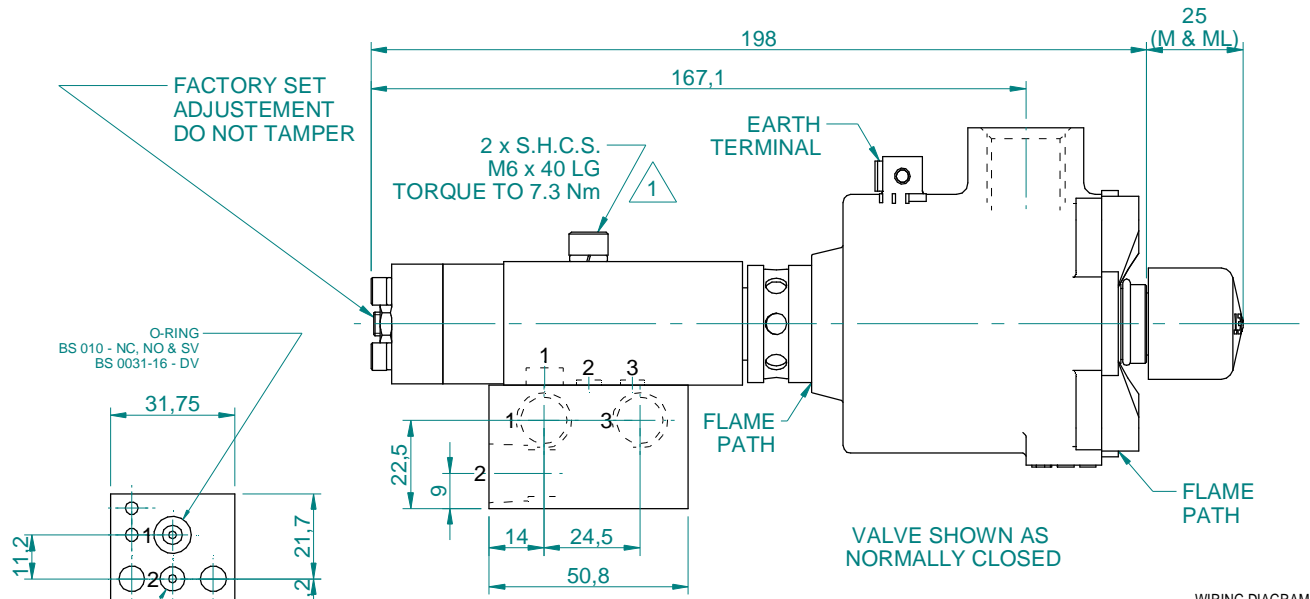


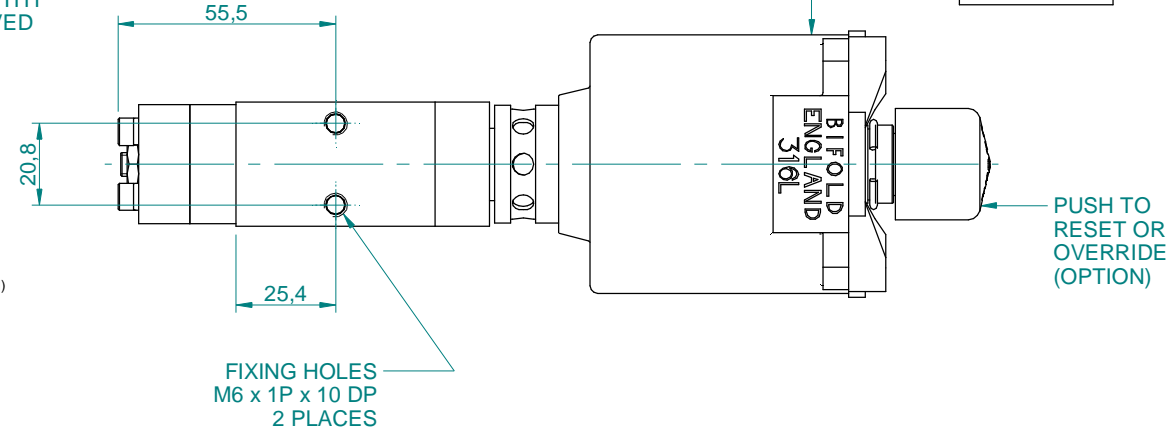
DO NOT SCALE

THIRD ANGLE PROJECTION

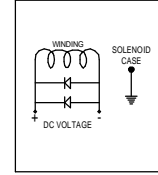
DIMENSIONS IN MILLIMETRES



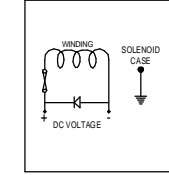
SOLENOID HOUSING MAY BE ROTATED THRO' 360° IF UNRESTRICTED



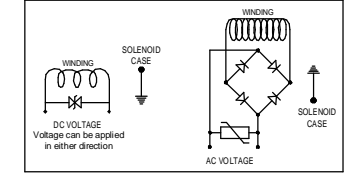
WIRING DIAGRAM - TYPE 78X



WIRING DIAGRAM - TYPE 74X



WIRING DIAGRAMS - TYPE 77X



WORKING PRESSURES

MAXIMUM WP (TYPE S1) - 345 BAR (5,000 PSI)
 MAXIMUM WP (TYPE S2) - 518 BAR (7,500 PSI)
 MAXIMUM WP (TYPE S3) - 690 BAR (10,000 PSI)

WEIGHT

2.5 Kg APPROX - EXCLUDING SUBBASE
 3.0 Kg APPROX - INCLUDING SUBBASE

SUBBASES

M221/02 - 1/4 NPT
 M437/02 - G1/4 (BSPP)

NOTES :

- 1) O-RING MATERIAL CODE 'X'
 - S = NITRILE
 - V = VITON
 - AL = FLUOROSILICONE
 - AG = SILICONE
- 2) ALL DIMENSIONS NOMINAL UNLESS OTHERWISE STATED.

VALVE TYPES/USED ON

- FP01/SX/M/32/NC/X-7X
- FP01/SX/M/32/NO/X-7X
- FP01/S1/M/32/SV/X-7X
- FP01/S1/M/32/DV/X-7X
- M & ML OPTIONS: K85 OPTION
- SOLENOID TYPES 74, 77, 78

Bifold FluidPower Limited		Bifold Fluidpower Limited Greenside way, Manton, Manchester, M24 1SW Telephone: (44) 0161 345 4777 Fax: (44) 0161 345 4780	
PROJECT TITLE FP01-SX-M-32-X-7X - (M / ML)		PROJECT No.	
DRAWING TITLE GENERAL INSTALLATION		DRAWING No. 10602	
DRAWN M MELLOR	DATE 27.07.10	CHECKED	DATE APPROVED
Copyright © 2000 BIFOLD FLUIDPOWER LTD. All Rights Reserved		C.A.D. Produced Drawing DO NOT Change By Hand	

REV	DATE	DRAWN	CHKD	REVISION
1	05.12.12	MM		M6 FIXING SCREWS NOW 40 LONG FOLLOWING REMOVAL OF BODY COUNTERBORES
0	27.07.10	MM	MM	PRODUCTION STANDARD