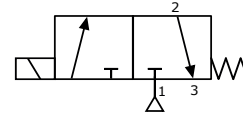


E53AXA Series, 1/8" 3/2 Function Compact Solenoid Valve



DESCRIPTION

3 port 2 position direct acting, compact solenoid valve designed for direct banjo bolt mounting onto 1/4 turn pneumatically operated valve actuators having 1/8" BSP ports.

Body material available in

- Aluminium (standard)

FEATURES

- Convenient single 1/8" BSP Banjo bolt connection
- Compact design to suit small actuators
- 1/4" BSP mains air connection and M5 exhaust

PRODUCT CODE:

E 5 3 A X A

OPTIONS 1



SEE BELOW FOR
PRODUCT CODE
DETAILS

Any of the below options that are not required enter '0' in relevant box.

Coil

- K** MC30 Plug & Socket
- 2** No Coil (with stem)

Options 1

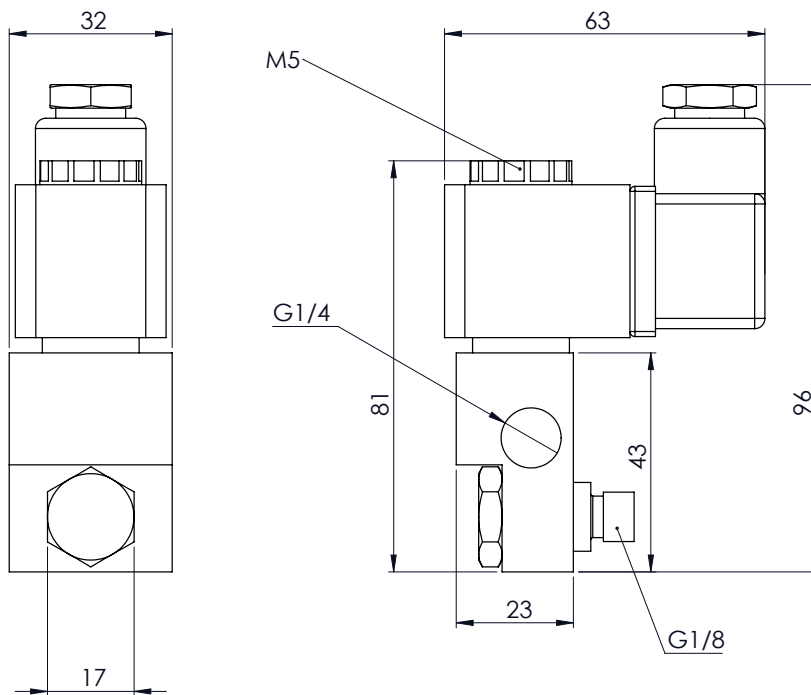
- C** Lever manual override
- S** Screwdriver override (standard)
- 0** No option required

Standard Voltage

- B** 24v DC
- H** 24v DC Low Power
- R** 24v AC (50/60 Hz)
- T** 110v AC (50/60 Hz)
- N** 220v AC (50/60 Hz)
- U** 240v AC (50/60 Hz)

* A comprehensive range of non-standard voltages available on request

DIMENSIONS (mm)



MATERIAL SPECIFICATIONS

STANDARD

Body	Black Anodised Aluminium (Dural)
Banjo Bolt	Brass Nickel Plated
Jet	Black Anodised Aluminium (Dural)
Seals	Nitrile & Viton

VALVE SPECIFICATIONS

STANDARD

Inlet Port Connection Size	1/4" BSP
Outlet Port Connection Size	1/8" BSP Banjo Bolt
Exhaust Port Connection Size	M5
Working Pressure	0 to 10 bar
Cv Factor	0.06
Flow Rate (at 6 bar with 1 bar pressure drop)	62 l/min
Maximum Ambient Temperature	+80 °C
Minimum Working Temperature	-20 °C

COIL DETAILS

Coil Type **MC30 Plug & Socket**

Area Class	Safe
Area Category	N/A
Ingress Protection	IP65
Cable Entry	PG.9
Ambient Temperature	-20 to +60 °C
Magnetic Wire Class	H