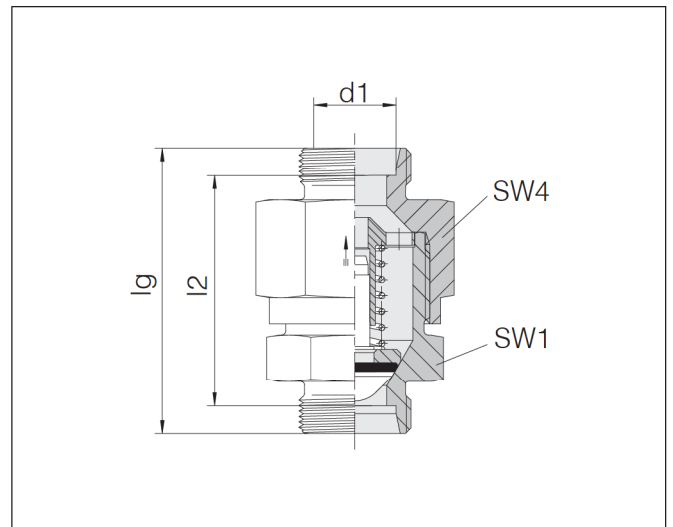


## Standard non-return valves

Tube coupling on both ends

Opening pressure 1 bar

Standard O-ring material is NBR



Series	Tube OD	Pressure	lg	l2	SW1	SW4	kg/100 ca.	Order-No.	Designation
L	6	PB 250	43	29	17	17	4.4	0600012081	24-VNRO-L6
L	8	PB 250	44	30	19	19	5.5	0600022081	24-VNRO-L8
L	10	PB 250	54.5	40.5	22	24	9.8	0600032081	24-VNRO-L10
L	12	PB 250	57.5	43.5	27	30	16.5	0600042081	24-VNRO-L12
L	15	PB 250	61.5	47.5	30	32	20.5	0600052081	24-VNRO-L15
L	18	PB 160	66.5	51.5	36	36	29.0	0600062081	24-VNRO-L18
L	22	PB 160	76.5	61.5	41	46	49.5	0600072081	24-VNRO-L22
L	28	PB 100	85	70	50	55	78.4	0600082081	24-VNRO-L28
L	35	PB 100	95.5	74.5	60	65	122.7	0600092081	24-VNRO-L35
L	42	PB 100	99.5	77.5	65	75	162.6	0600102081	24-VNRO-L42
S	6	PB 630	48.5	34.5	19	19	6.6	0600112081	24-VNRO-S6
S	8	PB 630	48.5	34.5	19	19	6.8	0600122081	24-VNRO-S8
S	10	PB 630	55.5	40.5	22	24	11.5	0600132081	24-VNRO-S10
S	12	PB 630	57.5	42.5	24	27	14.5	0600142081	24-VNRO-S12
S	14	PB 630	63.5	47.5	27	32	20.9	0600152081	24-VNRO-S14
S	16	PB 400	67.5	50.5	32	36	27.8	0600162081	24-VNRO-S16
S	20	PB 400	75.5	54.5	41	46	49.5	0600172081	24-VNRO-S20
S	25	PB 400	82.5	58.5	46	50	62.7	0600182081	24-VNRO-S25
S	30	PB 250	96	69	55	60	107.8	0600192081	24-VNRO-S30
S	38	PB 250	107.5	75.5	65	70	161.3	0600202081	24-VNRO-S38

Test pressure PP = 1.5 times  
value in table

Example for comp. :  
RHD06LOMD