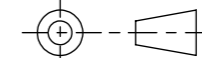


DO NOT SCALE - IF IN DOUBT ASK

REMOVE ALL BURRS

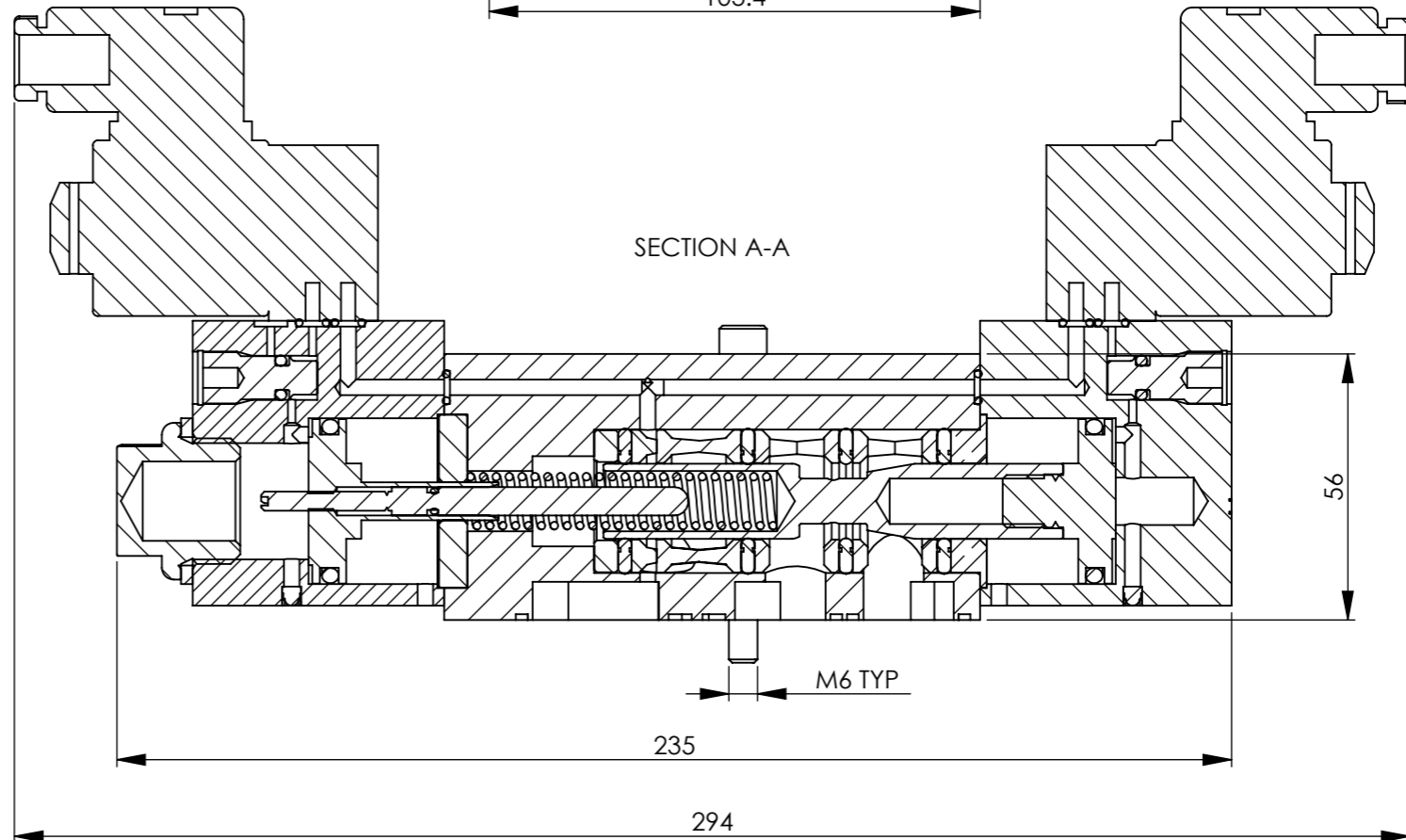
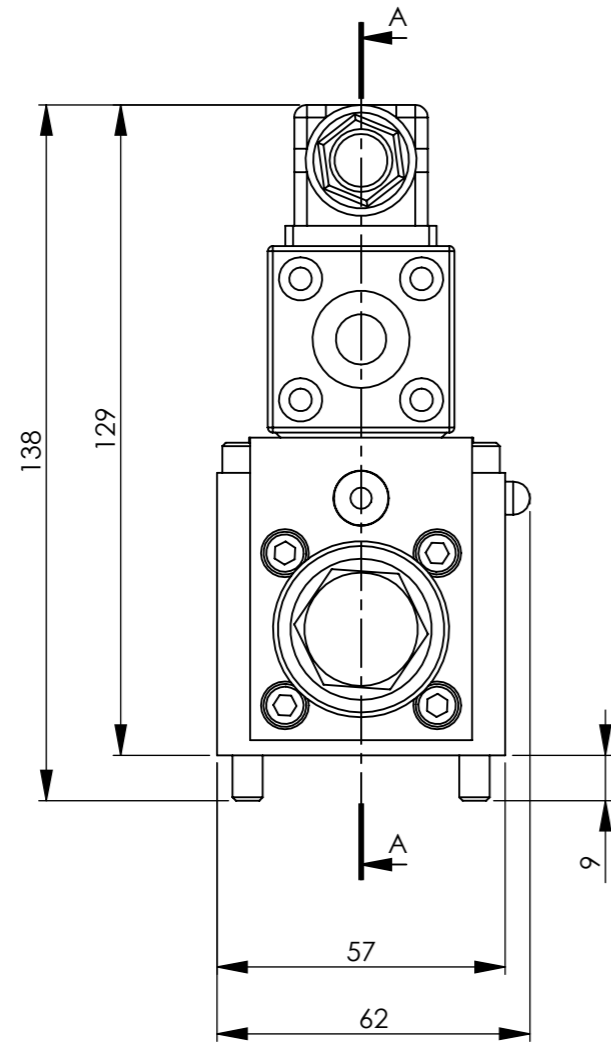
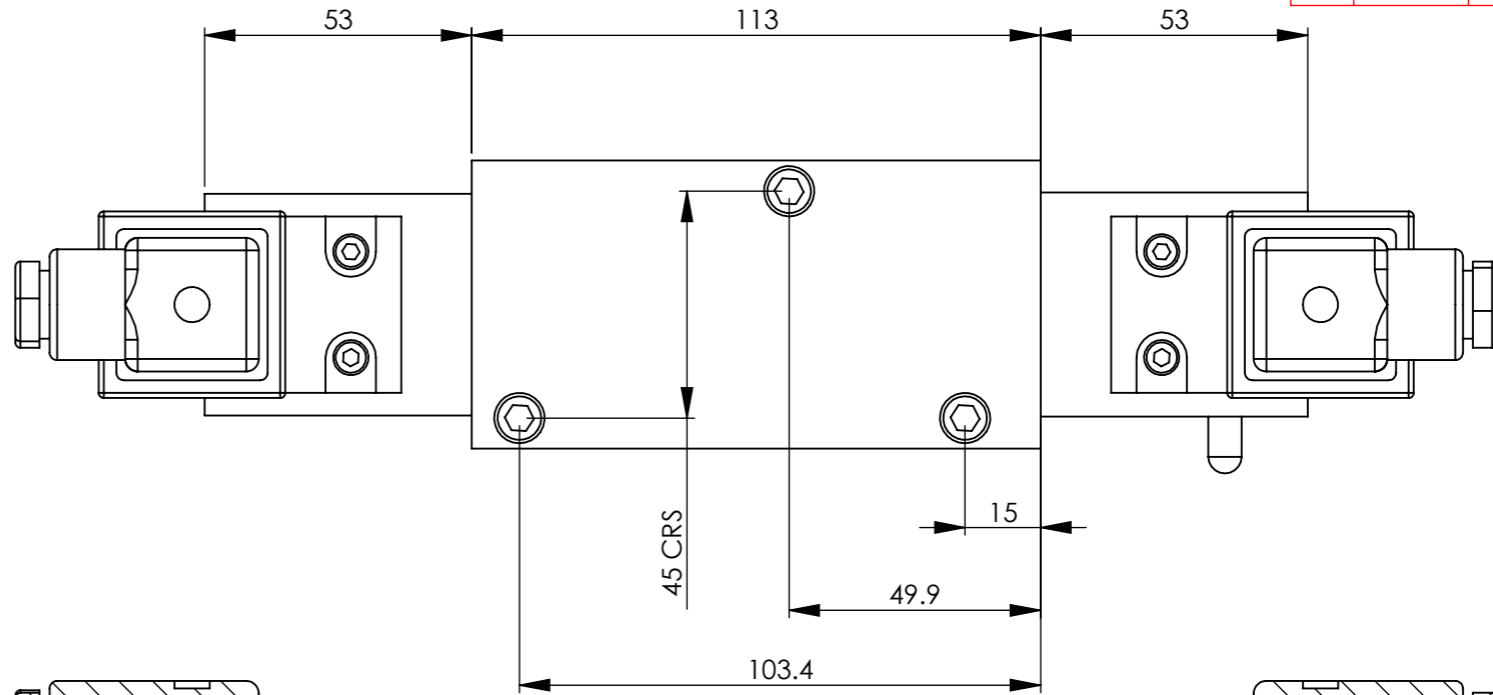
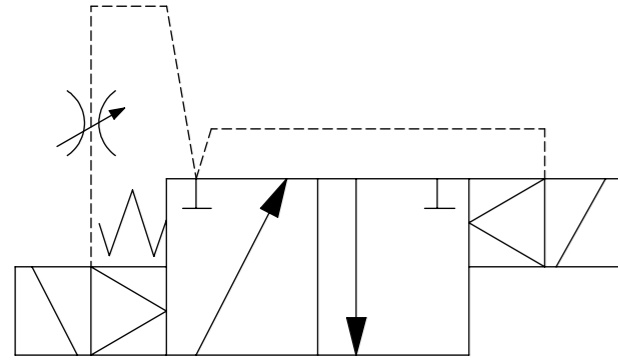
THIRD ANGLE PROJECTION



ISSUE	DATE	ALTERATION	MOD No.
001	08/01/09	ISSUE	9684

ALUMINIUM CONSTRUCTION  
SLOW TEST SOLENOID VERSION  
24Vdc SOLENOIDS  
PLUG AND SOCKET SOLENOIDS

SCHEMATIC REPRESENTATION :-



APPROX WEIGHT: 3300g (3.3 kg)

TITLE:- 1/2" 3/2 SLOW TEST SOLENOID VALVE

SCALE	2:3	USED ON	DRAWING No:-
DRAWN	A.B	TOT. OP.	SK7303-A3BD
DATE	28/10/08		
CHECKED			



THIS DRAWING IS THE COPYRIGHT AND THE PROPERTY OF DAVIS PNEUMATIC SYSTEMS LTD. AND MUST NOT BE COPIED, REISSUED OR LOANED TO A THIRD PARTY WITHOUT PERMISSION.

DAVIS PNEUMATIC SYSTEMS LTD.  
PLYMPTON, PLYMOUTH  
DEVON PL7 4BQ  
TELEPHONE:- (01752) 336421  
FAX:- (01752) 345828  
TELEX:- 45657

MACHINING TOLERANCES UNLESS OTHERWISE STATED

X. ±0.4	1.6	DP=DRILL POINT		
X.X ±0.1			FB=FLAT BOTTOM	
X.XX ±0.05				FD=FULL DIAM.
ANG. ±0.25°				
DIAS. Ⓞ 0.05				

MATERIAL:-  
ALUMINIUM - 6082T6  
NATURAL / CLEAR ANODISED IS39