



Solenoid valve 3/2 way N.C. Direct acting

4628YQ0V12

PRESENTATION:

Direct acting S.V. for interception of fluids compatible with the construction materials.
Minimum operational pressure is not required.
The materials used and the tests carried out ensure maximum reliability and duration.

USE: Automation

PIPES: subplate mounting

COIL: 5W - Ø 10
LBA - LBS 155°C (class F)
LBF - LBV 180°C (class H)

COIL HOUSING AND COIL FORMER MATERIAL ARE MADE BY 100% VIRGIN MATERIAL.

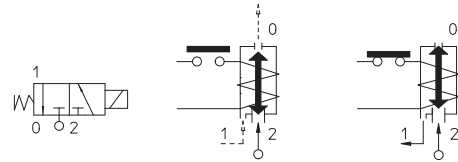
Max. allowable pressure (PS) 40 bar

Ambient temperature:

See coils catalogue page for its compatibility.



Gaskets	Temperature	Medium
V=FKM (fluoroelastomer)	- 10°C + 140°C	Mineral oils (2°E), gasoline gas oil

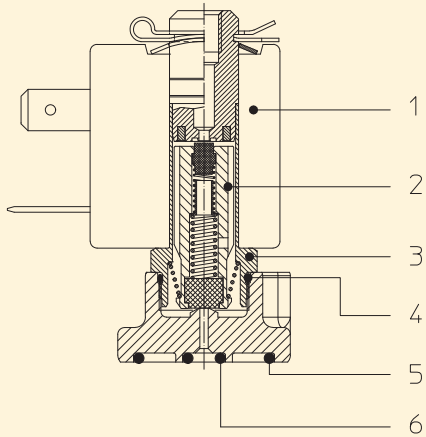


Pipe	Code	Max viscosity		Ø mm	Kv l/mn	Power watt	Pressure		
		cSt	°E				min bar	M.O.P.D. AC bar DC bar	
SUBPLATE MOUNTING	4628YQ0V12	12	~ 2	1,2*	1	5	0	15	15

Note.

*3rd way exhaust= Ø 1,2 mm | Available on request and with minimum quantities.

The "ODE " reserves the right to carry out technical and aesthetic modifications without prior notice.



MATERIALS:

Body Brass - UNI EN 12165 CW617N
Armature tube Stainless steel AISI series 300
Fixed core Stainless steel AISI series 400
Plunger Stainless steel AISI series 400
Phase displacement ring Copper - Cu 99,9%
Spring Stainless steel AISI series 300
Seal V=FKM
Orifice Brass - UNI EN 12165 CW617N

On request:

Connector Pg 9 or Pg 11
Connector conformity ISO 4400

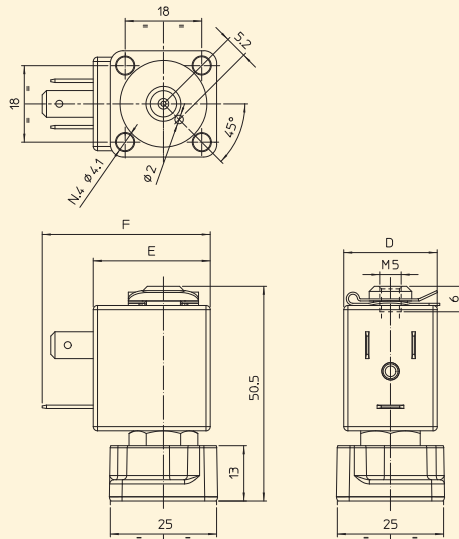
FEATURES:

Electrical conformity IEC 335
Protection degree IP 65 EN 60529 (DIN 40050)
 with coil fitted by connector.

SPARE PARTS:

1. **Coil:**
See coils list
2. **Complete plunger:**
Code R452061/VX
3. **Complete armature tube:**
Code R453403
4. **Gasket O-Ring:**
Code R990597/VX
5. **Gasket O-Ring:**
Code R990001/VX
6. **Gasket O-Ring:**
Code R990003/VX

DIMENSIONS:



COIL TYPE	POWER ABSORPTION			DIMENSIONS		
	W =	Hold VA ~	Inrush VA ~	D mm	E mm	F mm
L	5	10	15	22	27,5	39,5