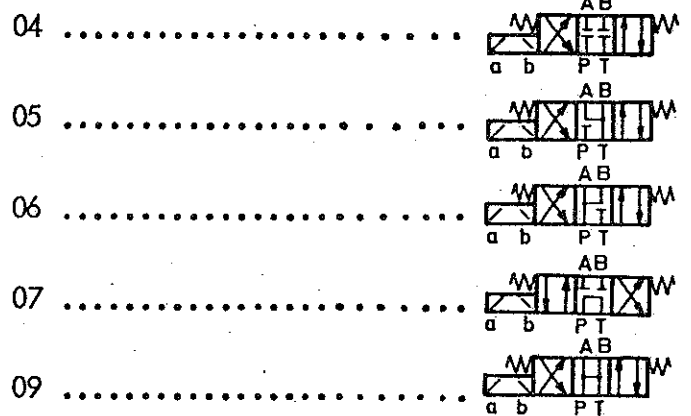


Symbol no.



For further symbols see
sheet 1.1.0 - 02



Mounting position as required
Weight 1,1 kg

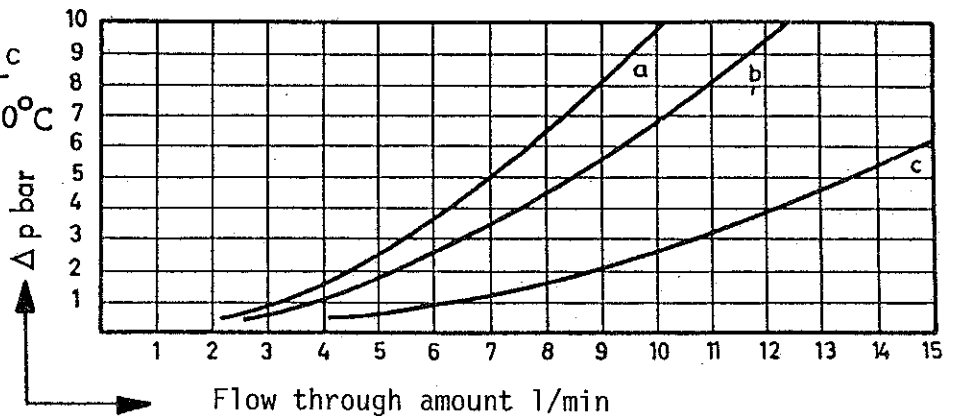
Hydraulic characteristics

Operating pressure range Input pe max. symbol no. 07 up to 200 bar
 Input pe max. other symbols up to 315 bar
 Output (T conn.) pa max. 150 bar
 Hydraulic oil temperature range..... -10°C up to +80°C
 Ambient temperature - 5°C up to +50°C
 Rated flow up to p = 1 bar 4 l/min
 Max. flow 10 l/min

$\Delta p - Q$ - characteristic

of hydraulic oil 35 $\frac{\text{mm}^2}{\text{s}}$, 50°C

curve a P - A
 A - T
 curve b P - B
 curve c B - T



Operation system electro-magnetic

Type description D24/0H	Type description D220/5H
Voltage 24V=	Voltage 220 V 50 Hz
Power consumption 25,5 W	Active power 64 VA
Relative duty cycle 100 %	Relative duty cycle 100 %
Protection IP 64	Protection IP 64

Switching time at rated flow, 60 bar, 35 mm^2/s , 50°C

Time for energizing : 24 V= ... 17 ms	220 V 50 Hz ... 25 ms	} from switching command "ON" resp. "OFF" until end of stroke
Time for de-energizing: 24 V= ... 17 ms	220 V 50 Hz ... 25 ms	

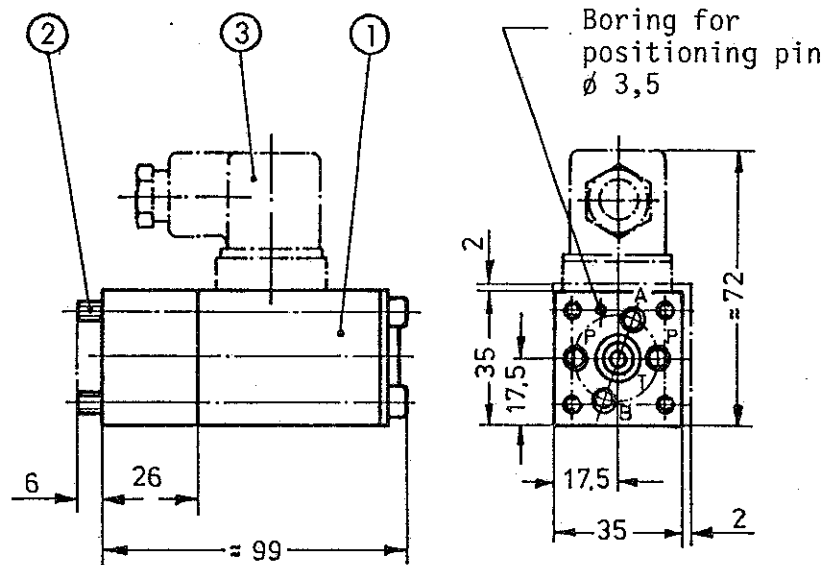
4/3 DIRECTIONAL VALVE Size 4

Directly controlled,
electrically operated

Sheet: 1.1.3-02

Issue: 09.81

- ① Solenoid (rotatable 90°)
- ② 4 fastening screws
allowable putting in
torque 5,5 Nm
M5x100/800-064
(within scope of delivery)
- ③ Connector black
order no. 806-003
to be ordered separately



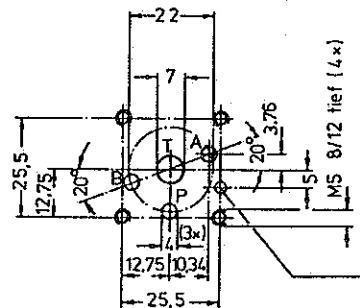
Connection
Diagram A

mounting plate see

1.1.8 - 01

1.1.9 - 01

P = pump, T = tank
A, B = cylinder or motor
connection



The directional valves are fitted with pressure-resistant oil-bath solenoids that provide a long life-cycle.

Ordering example:

A 4/3 directional according to symbol 04 for 24 V DC (other voltages and frequencies see sheet 1.1.3-03) is to be ordered.

The designation reads:

Ident-Nr. _____ We 04 - 4 P 1 0 0 D 2 4 / 0 H

Ident-Nr. _____
(is inserted by H+L)

Connector -
Connection DIN 43 650

Voltage/frequency

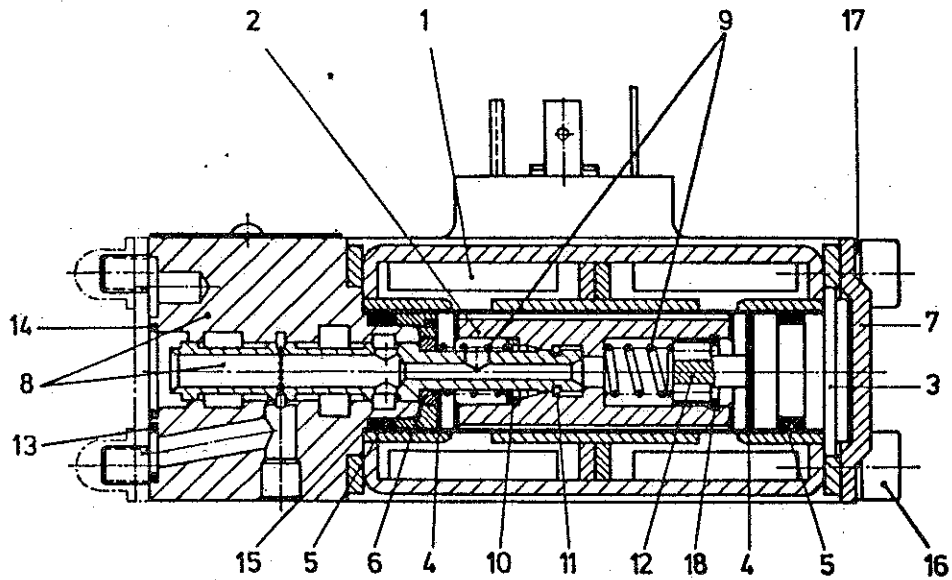
Symbol

4/3 DIRECTIONAL VALVE Size 4

Directly controlled,
electrically operated

1.1.3-03

Issue: 09.81



Pos.	Qty.	Description	Order no.			
			Direct Current Voltage		Alternating Cur. Voltage	
			11 - 14 V	5552 - 09	24 V 50 Hz	5552 - 07
			12 V	5552 - 06	24 V 60 Hz	5552 - 12
			24 V	5552 - 05	220 V 50 Hz	5552 - 02
			23 - 28 V	5552 - 10	220 V 60 Hz	5552 - 08
			72 V	5552 - 11	110 V 50 Hz	5552 - 03
					110 V 60 Hz	5552 - 16
●	1	Solenoid	11232 - 07		11232 - 08	
	2	Armature	11232 - 10		1170 - 25	
	3	Stopper	1060 - 17			
	4	Adhesive disk	802 - 035			
●	5	O-ring	1061 - 05			
	6	Disk	1060 - 05			
	7	Cover	1060 - 09			
	8	Housing + piston	1060 - 16			
●	9	Compression spring	550 - 20			
	10	Disk	1060 - 10			
	11	Snap ring	1060 - 09			
	12	Stopper	1060 - 16			
●	13	O-ring	802 - 017			
●	14	O-ring	802 - 028			
●	15	Supporting ring	803 - 004			
	16	Fillister-head screw	800 - 064			
	17	Fuse	801 - 010			
	18	Snap ring	865 - 000			

● = Spare parts