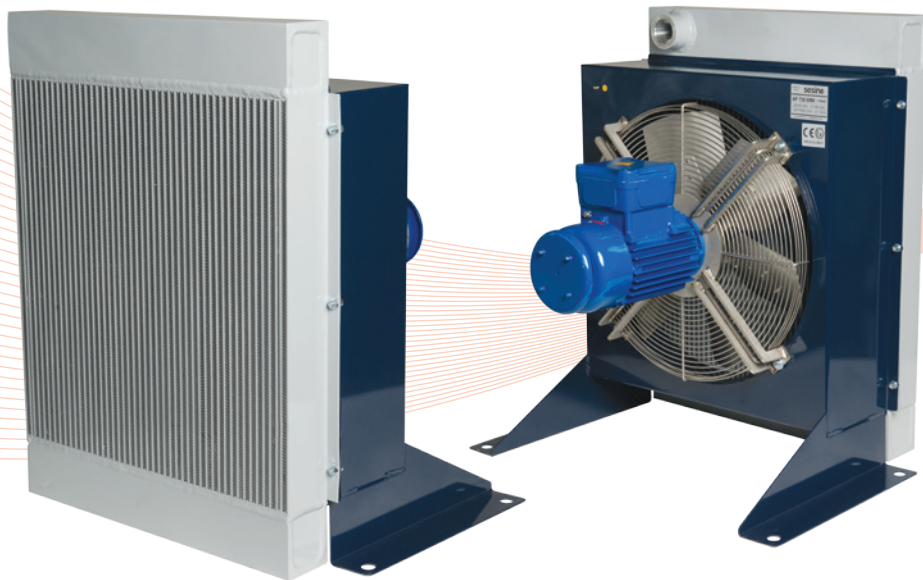
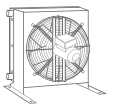


AP 730 EMX

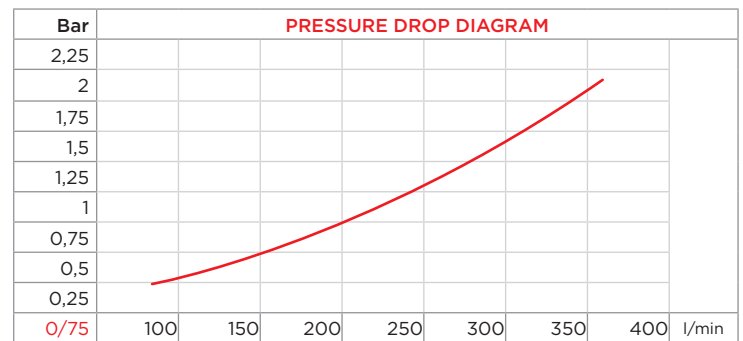
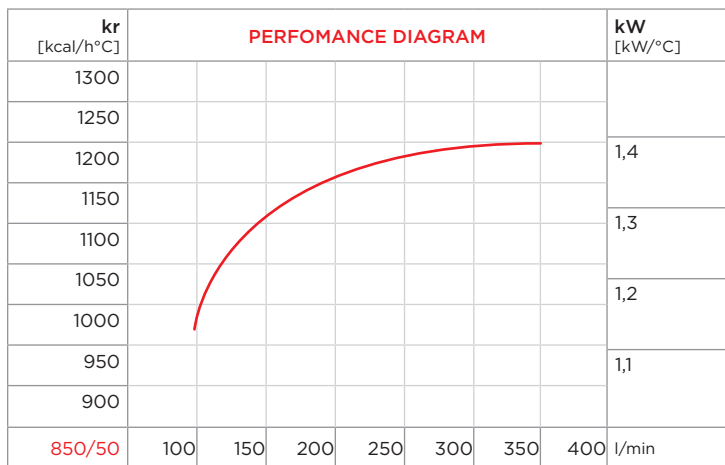


PURCHASE CODES

AP 730 EMX three-phase 400V 50Hz	3RAP730EMX50
AP 730 EMX three-phase 460V 60Hz	3RAP730EMX60

SPARE PARTS

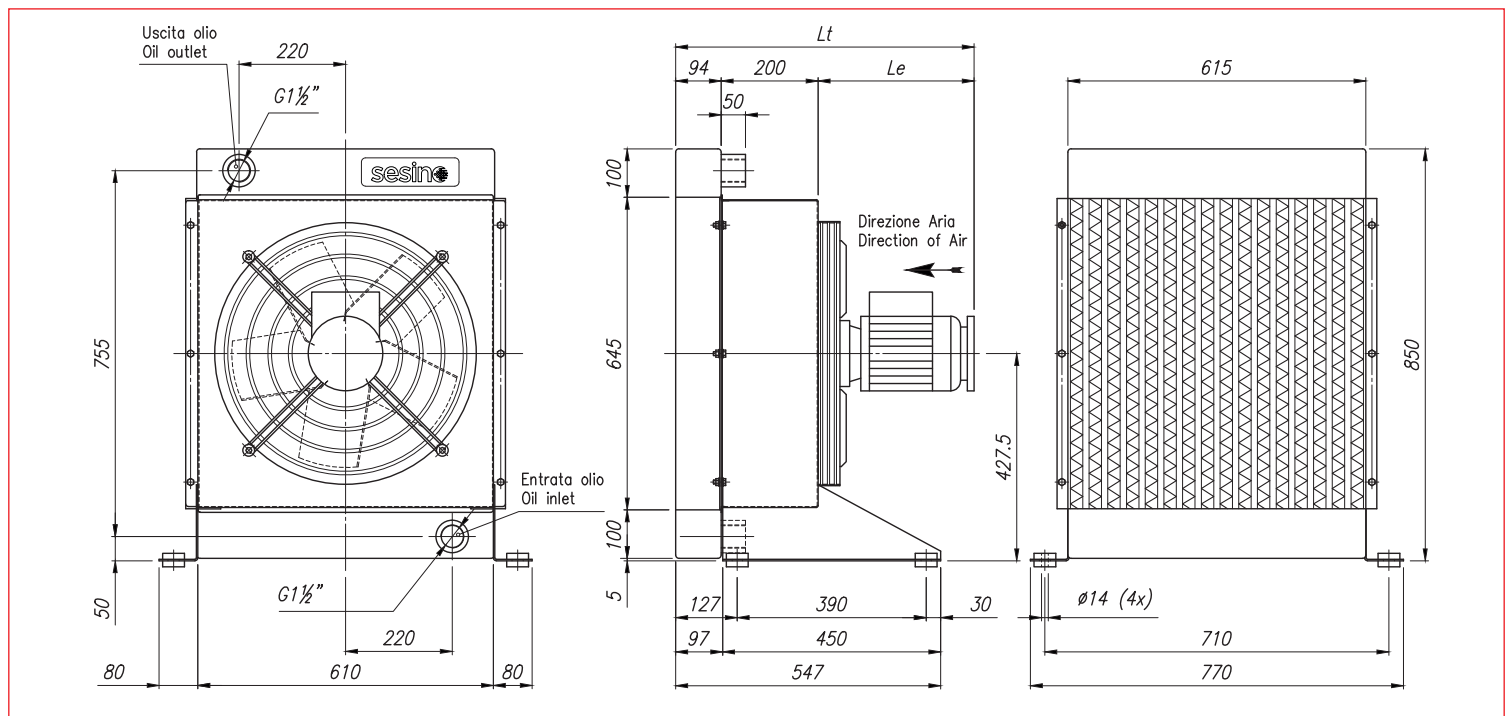
Cooling element	3RNL730A
Frame	3CNAP730EMX.1
Electric fan 400V 50Hz	1VNAP680EMX50
Electric fan 460V 60Hz	1VNAP680EMX60



CORRECTION FACTOR

cSt	22	30	46	68	100	150	220
f	0,6	1	1,5	2,3	3,5	5	7

- Dimensions and technical characteristics are not binding



CODE	OIL FLOW l/min	CAPACITY l	VOLT. V	FREQ. Hz	POWER W	CURRENT A	AIR FLOW m³/h	PROTECTION IP	NOISE LEV. dB(A)	WEIGHT kg	ø FAN mm	TEMP. °C	DIMENSION	
													Le	Lt
3RAP730EMX50	100-300	16	400	50	550	1,6	7800	56	86	98	500	-20/+40	322	616
3RAP730EMX60	100-300	16	460	60	750	1,79	8200	56	86	98	500	-20/+40	364	658