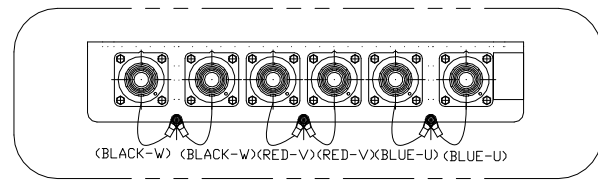
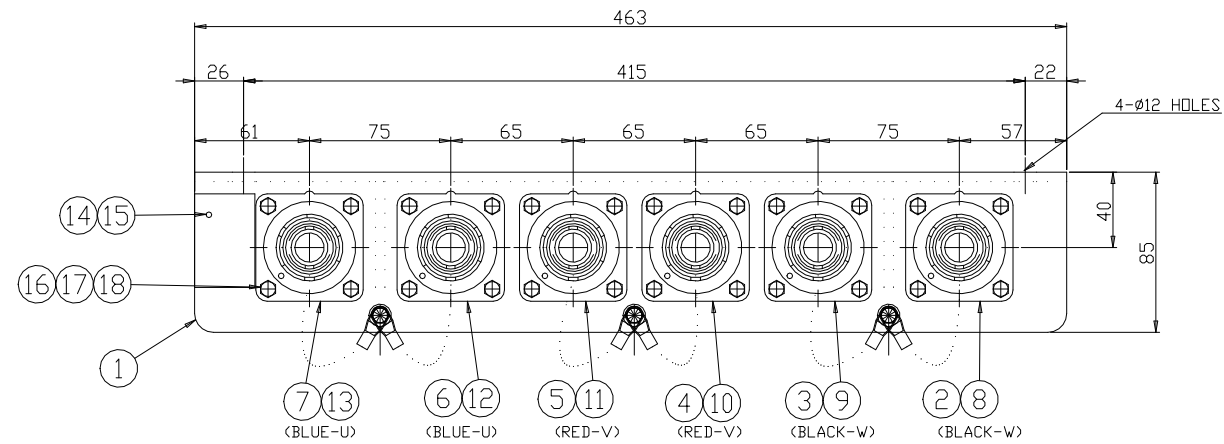
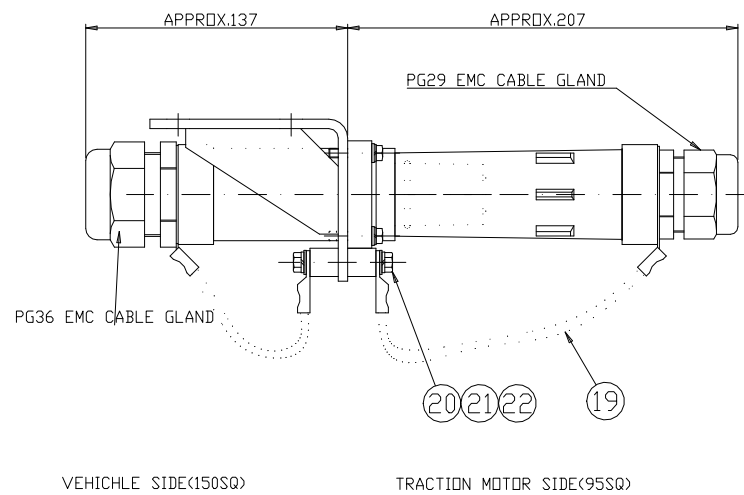
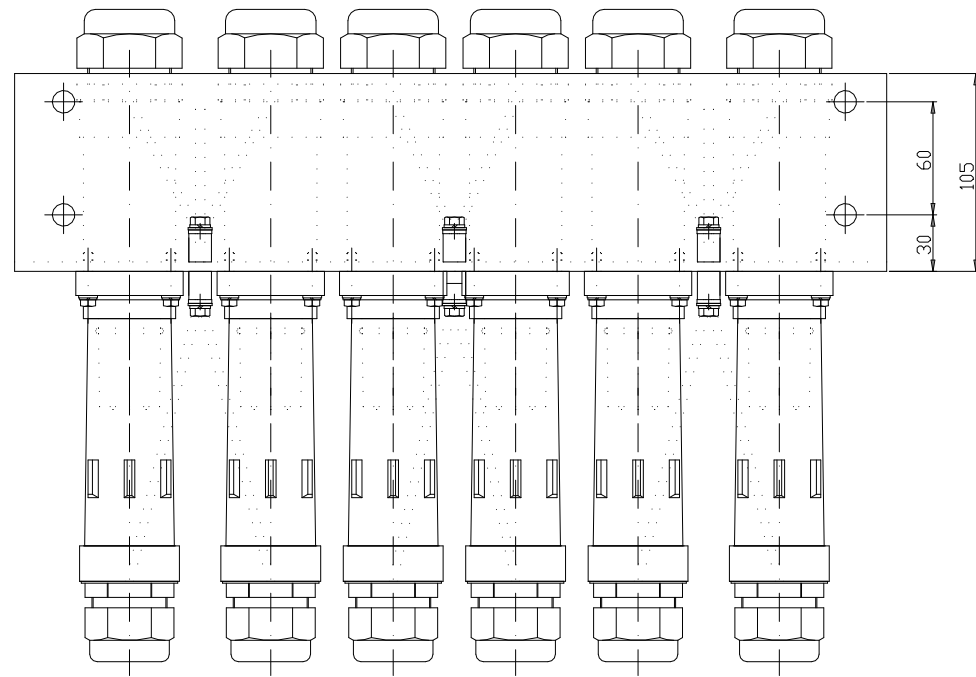


SPECIFICATION APPLIED



TYPE - "B"



22	REB50001CV0-022	PLAIN WASHER	STS304	6	M6
21	REB50001CV0-021	SPRING WASHER	STS304	6	M6
20	REB50001CV0-020	HEX HEAD BOLT	STS304	6	M6X20L
19	REB50001CV0-019	EARTH CABLE	ASSY	12	6SQ
18	REB50001CV0-018	PLAIN WASHER	STS304	24	M5
17	REB50001CV0-017	SPRING WASHER	STS304	24	M5
16	REB50001CV0-016	HEX HEAD BOLT	STS304	24	M5X25L
15	REB50001CV0-015	BLIND RIVET	AL	4	Ø3X12L
14	REB50001CV0-014	NAME PLATE	STS304	1	t0.4(COMPANY)
13	REB50001CV0-013	1P PLUG CONNECTOR	ASSY	1	AML-M-P-BL-C95-29
12	REB50001CV0-012	1P PLUG CONNECTOR	ASSY	1	AML-M-P-BL-C95-29
11	REB50001CV0-011	1P PLUG CONNECTOR	ASSY	1	AML-M-P-R-C95-29
10	REB50001CV0-010	1P PLUG CONNECTOR	ASSY	1	AML-M-P-R-C95-29
9	REB50001CV0-009	1P PLUG CONNECTOR	ASSY	1	AML-M-P-BK-C95-29
8	REB50001CV0-008	1P PLUG CONNECTOR	ASSY	1	AML-M-P-BK-C95-29
7	REB50001CV0-007	1P RECEPTOR CONNECTOR	ASSY	1	AMPF-S-BL-C150-36
6	REB50001CV0-006	1P RECEPTOR CONNECTOR	ASSY	1	AMPF-S-BL-C150-36
5	REB50001CV0-005	1P RECEPTOR CONNECTOR	ASSY	1	AMPF-S-R-C150-36
4	REB50001CV0-004	1P RECEPTOR CONNECTOR	ASSY	1	AMPF-S-R-C150-36
3	REB50001CV0-003	1P RECEPTOR CONNECTOR	ASSY	1	AMPF-S-BK-C150-36
2	REB50001CV0-002	1P RECEPTOR CONNECTOR	ASSY	1	AMPF-S-BK-C150-36
1	REB50001CV0-001	RECEPTOR BRACKET	STS304	1	T=6.0

NOTES

- MATERIAL/FINISH
 RECEPTOR & PLUG SHELL: THERMOPLASTIC(FIRE RESISTANT)
 CONTACT: SOCKET CONTACT(4GKW-AX EMC-L-150SQ CABLE)
 PIN CONTACT (4GKW-AC EMC-L-95SQ CABLE)
 COPPER ALLOY/SILVER PLATED CRIMP TYPE
- COLOR : BK-BLACK
 R-RED
 BL-BLUE
- PAINTING COLOR: RAL7046
- TYPE:

PART NO.	TYPE	REMARKS
REB50001CV0-400	A	AS DRAWN
REB50001CV0-401	B	OPPOSITE

5. WEIGHT OF PLUGS IS NOT CONSIDERED.

TEMPERATURE	~ 40	2	4
	~ 30	2	3
	~ 10	1	15
	(3	05	1
TEMPERATURE	~ 350	-	7
	~ 300	4	5
	~ 200	3	4
	~ 100	2	3
	~ 50	1	2
	~ 10	1	15
GRADE	A	B	C
PROCESSING (4)			
	~ 20M	8	14
	~ 15M	7	12
	~ 10M	6	10
	~ 5M	5	8
	~ 4M	4	6
	~ 3M	3	4
	~ 2M	2	3
	~ 1.5M	1	2
	~ 1M	1	1
	~ 0.5M	1	1
GRADE	A	B	C
WELDING (4)			
	~ 20M	-	60
	~ 15M	-	50
	~ 10M	-	40
	~ 5M	-	30
	~ 4M	-	20
	~ 3M	-	15
	~ 2M	-	10
	~ 1.5M	-	5
	~ 1M	-	3
	~ 0.5M	-	1
GRADE	A	B	C
MACHINING (4)			
	~ 20M	-	60
	~ 15M	-	50
	~ 10M	-	40
	~ 5M	-	30
	~ 4M	-	20
	~ 3M	-	15
	~ 2M	-	10
	~ 1.5M	-	5
	~ 1M	-	3
	~ 0.5M	-	1
GRADE	A	B	C
GENERAL TOLERANCE			

MARK	DATE	"DETAIL OF REVISION/E.C ZONES"	E.C. NO.	DGN	CHK	APP	MARK	DATE	"DETAIL OF REVISION/E.C ZONES"	E.C. NO.	DGN	CHK	APP
------	------	--------------------------------	----------	-----	-----	-----	------	------	--------------------------------	----------	-----	-----	-----

NO.	PART NO.	DESCRIPTION	MATERIAL	QTY	WT	REMARKS
APP	J.G.KIM	ASSY				PLATE, CONNECTOR, TRACTION MOTOR
CHK	B.H.JUNG	15.2Kg				REB50001CV0
DGN	A.HUH	SCALE	N/S	SHEET	1	OF 1
DRG		SIZE				