



FRONT END BAY DETECTION SENSOR
Located at the beginning of the parking space



You can find this manual in electronic format on the Circontrol web: www.circontrol.com

 Before performing any maintenance, repair or handling of any of the connections of the equipment, must disconnect the device from any power source and also the connection of measurement. When you suspect a malfunction of the equipment please contact the service. The design of the equipment allows a quick replacement in case of failure. Only accessories complying with the manufacturer's specifications should be used.

 If the equipment is used in a way not specified by the manufacturer, the operation and integrity of the equipment may be compromised.

1 DESCRIPTION

The Bilogy equipment is a bay detector. It incorporates a light of the state of bay with 180° of visibility with RGB colors which are configurable. It is a competitive device because of its flexibility and quick installation. It has a socket to adapt to an installation with tube.

2 FEATURES

- Sensorization**
- Ultrasonic (bay detection)
 - Temperature C°(heat map)
- Indication**
- 8 RGB predefined Colors
 - Anti-theft alarm flicker
 - Occupation time alarm flicker
 - Indication brightness adjustment according to car park occupancy

3 COMMUNICATION PROTOCOL

The connection between the controllers and the system elements is carried out through a communications bus RS-485. The communication speed and data frame format, by default, are 19200, 8, N, 1.

4 TECHNICAL CHARACTERISTICS

Power supply	
Input voltage	+24/48 Vdc Min/max 18 / 60 Vdc
Consumption	0,75 W

Indication	
Luminous flux RGB (mcd)	10000, 2400, 2000

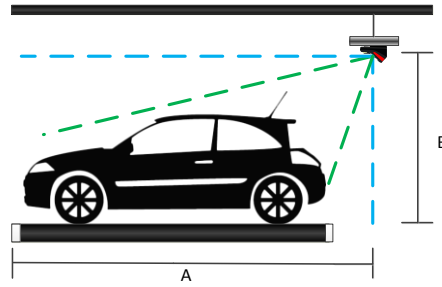
Serial interface	
Interface	RS-485
Speed	19200, 8, N, 1

Environmental conditions	
Working temperature	-20 °C a +60 °C
Working Humidity	5% - 95%.
	Without condensing
Degree of protection	IP54 - IK08

Dimensions	
Dimensions	117 x 132.9 x 166 mm

Mechanical characteristics	
Box type	PC Self-extinguish

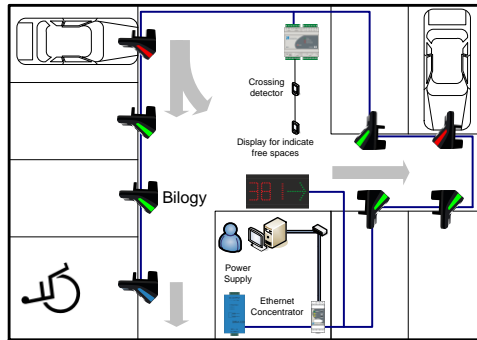
5 INSTALATION



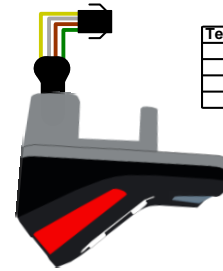
OPTIMAL DETECTION DISTANCE			
B (m)	2	2,5	3
A (m)	4	5	6

Between the sensor and the parking space no obstacles should be placed.

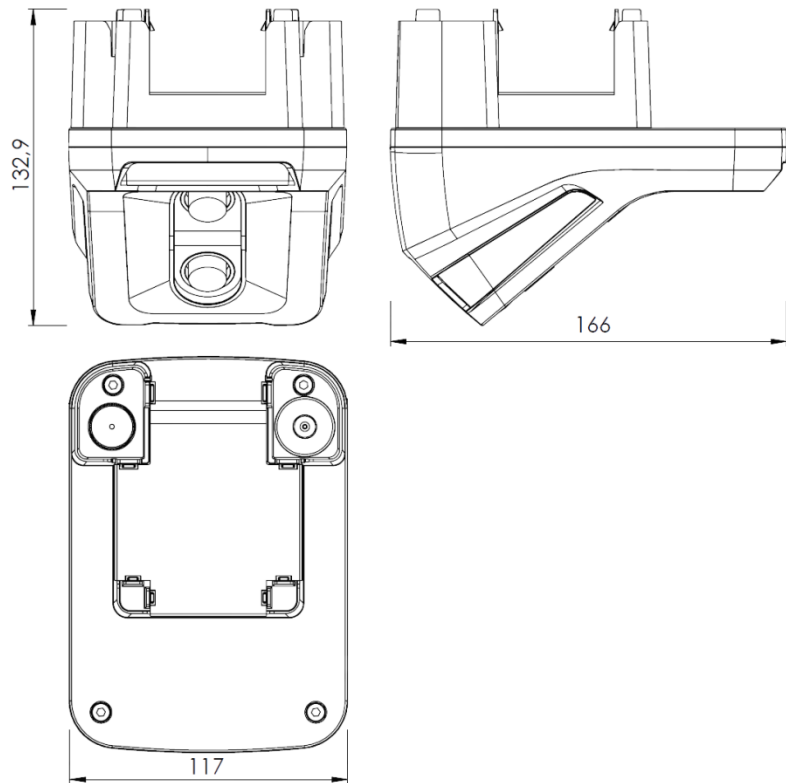
6 WIRING



Terminal	Wire	Description
1	Yellow	+Vcc
2	White	GND
3	Brown	B RS-485
4	Green	A RS-485



7 DIMENSIONS



8 SERVICE SUPPORT

In case malfunction or breakdown, call for technical service of **CIRCONTROL, S.A.**

CIRCONTROL, S.A. – After sales service
Innovació, 3 (Industrial Park Can Mitjans)
08232 Viladecavalls
Tel: (+34) 93 736 29 40
Fax: (+34) 93 736 29 41
Web: www.circontrol.com
E-mail: ps-support@circontrol.com