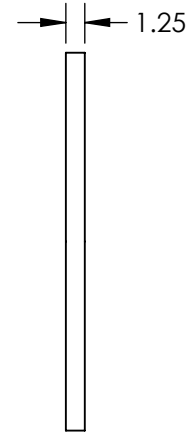
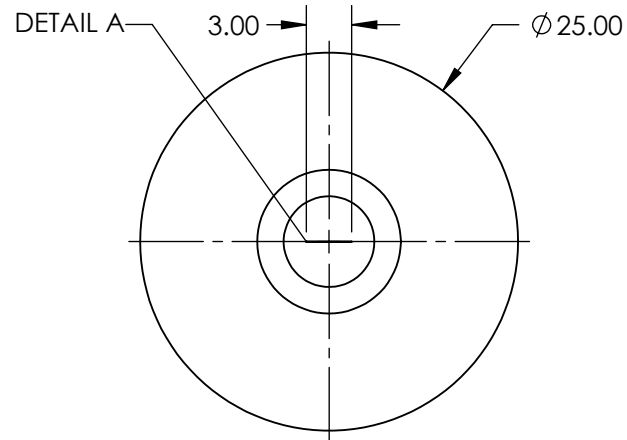
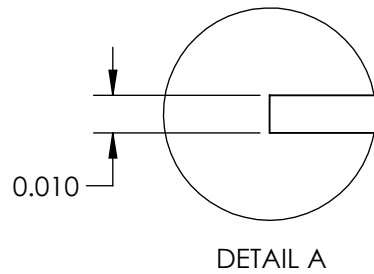
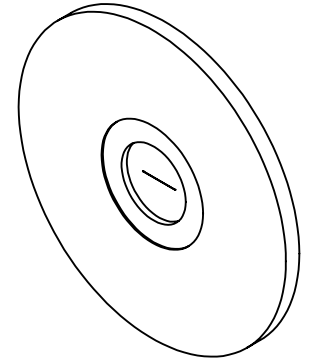


NOTES:

1. MATERIAL: STAINLESS STEEL
2. MOUNT MATERIAL: BLACK ANODIZED ALUMINUM
3. RoHS: COMPLIANT



SPECIFICATIONS SUBJECT TO CHANGE WITHOUT NOTICE
 DIMENSIONS ARE FOR REFERENCE ONLY

**FOR INFORMATION ONLY:
 DO NOT MANUFACTURE
 PARTS TO THIS DRAWING**

EO® Edmund Optics®

THIRD ANGLE PROJECTION		TITLE	10µm x 3mm, MOUNTED, PRECISION AIR SLIT	
ALL DIMS IN	mm	DWG NO	58540	SHEET 1 OF 1