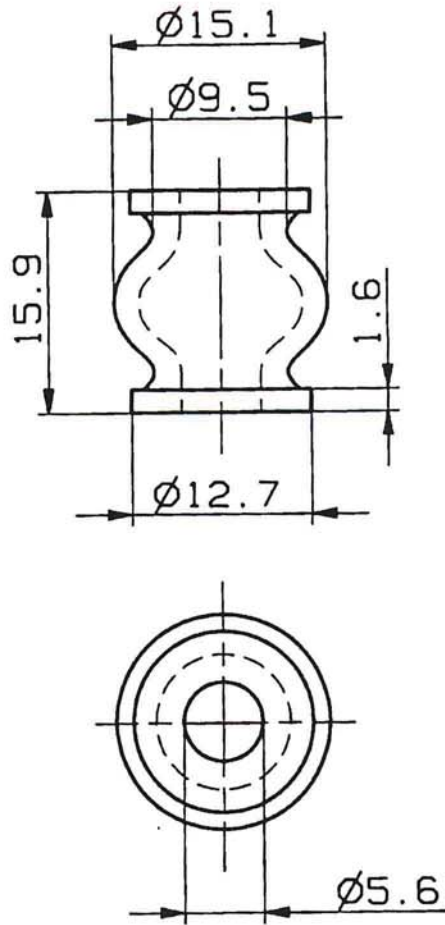
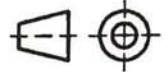


46995.300.0056.015



- Barry Controls GmbH
- Ball Mount Series
- requestion number: 275-1N
(Best.-Nr. :)



=QA= -- =QB= -- =QC= --

Material		01	-	english translation	

		Status	DTY	Changes Description	
Scale	Common Tolerance	Depart.	1996	Date	Name
2:1	DIN ISO 2768-m	SDMI	Created	13.11.	Gonell
			Checked		Siev.
Description			Part No.		
Damper Device (Schwingungsdaempfer)			2600569		
PROD CADRA=B			Replacement for		
			Replaced by		