

Flexible element coupling

Type EEK-M:

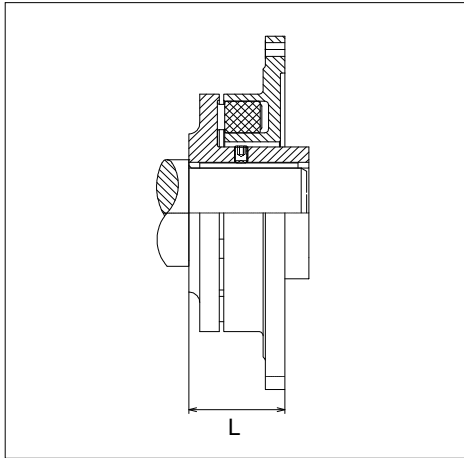


Fig. 28

Flexible element coupling

Type EEK-E:

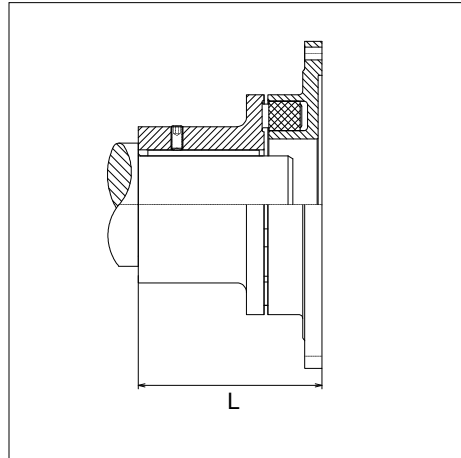


Fig. 29

Flexible cam coupling

Type ENK-SX:

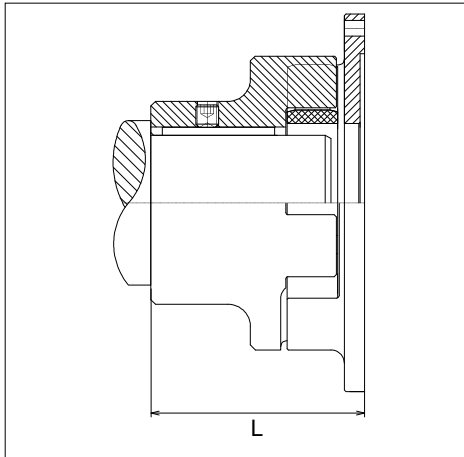


Fig. 30

Flexible cam coupling

Type ENK-SV:

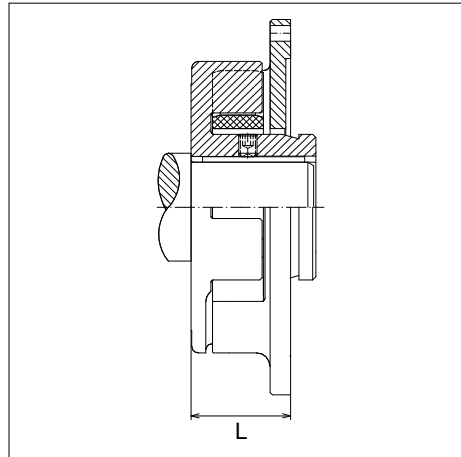


Fig. 31