



SPECIFICATIONS

FLUID : Air or neutral gas, filtered, lubricated or not
 PRESSURE : Can be used with vacuum – 0,950 bar max.
 - 0,950 to +12 bar
 +3 to +12 bar (with internal differential return)
 PILOT PRESSURE : See table below
 TEMPERATURE : - 10°C, +60°C
 FLOW (Qv at 6.3 bar) : 1400 l/min (ANR)
 FLOW COEFFICIENTS
 - conforming with ISO 6358 : C = 5.8 x 10⁻⁸ m³/s.Pa (sonic conductance)
 b = 0.28 (absolute static pressure)
 - conforming with NF E29312 : KV = 20 (l/min)
 LIFE : 30 millions cycles (in normal operating conditions)
 BASE : ISO 5599/01 - Size 1 - AFNOR NF E49080
 PORT : Subbases G 1/4 - G 3/8
 SUBBASES : Single subbases ISO/AFNOR NF E49085
 Joinable subbases ISO/VDMA 24345
 Joinable subbases with integrated functions



CONSTRUCTION

Painted steel cover
 Pilot and return assembly : acetal resin (POM)
 Sealing nitrile (NBR) and polyurethane (PUR)
 Internal parts : acetal resin (POM), light alloy
 Multifunction pilot by selector seal (see page P570-3)
 Without or with manual testers checking the position of the spool

1 = Pressure 12 = Return
 2-4 = Outlets 14 = Pilot
 3-5 = Exhausts

CHOICE OF EQUIPMENT

	FUNCTIONS	Pilot pressure (bar)		CODES WITH manual testers	
		min.	max.		
5/2		Air operated - Spring return	3	12	541 01 001
		Air operated - Differential return	3	12	541 01 002
		Air operated - Air operated return	1,5	12	541 01 003
5/3		Pressure held W1 air operated	3	12	541 01 004
		Pressure applied W2 air operated	3	12	541 01 013
		Pressure release W3 air operated	3	12	541 01 005

SUBBASES AND ACCESSORIES ISO 1 : see pages P570-8 and 9

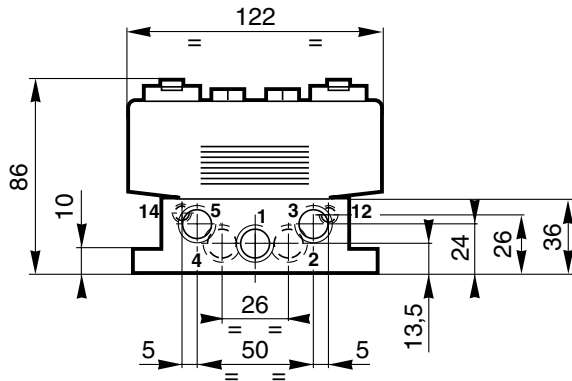
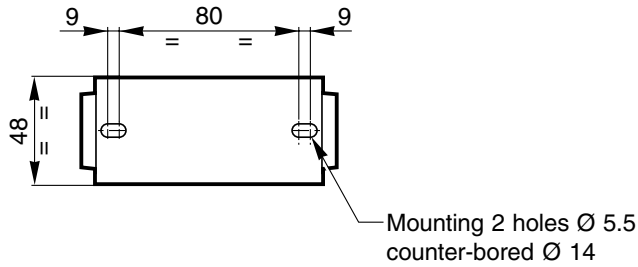
Series 541/PH

DIMENSIONS AND WEIGHTS

VALVES ON SINGLE SUBBASES

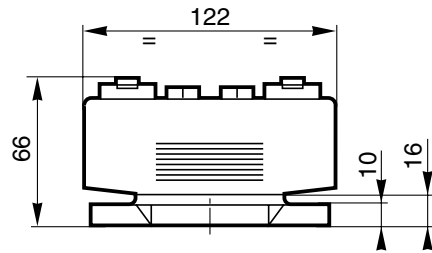
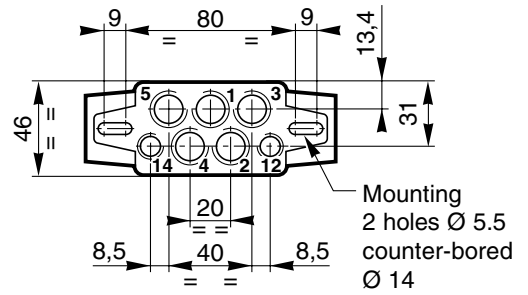
Side port

Weight : 0.880 kg



Bottom port

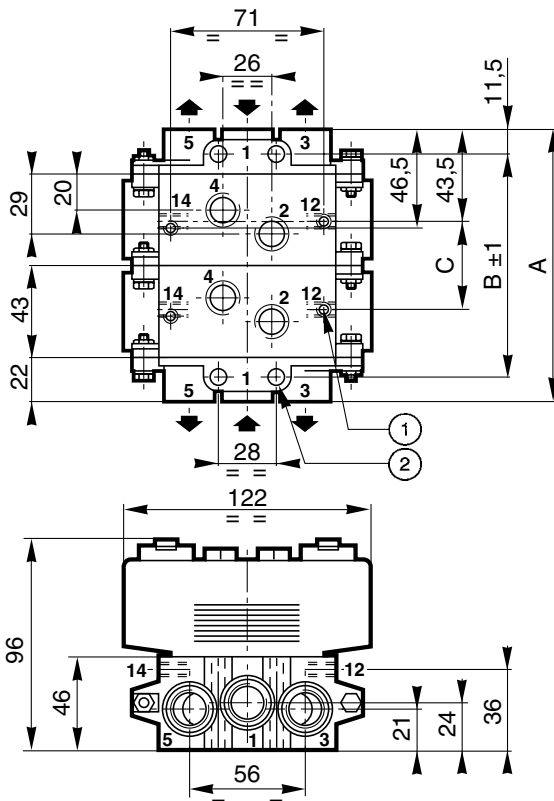
Weight : 0.500 kg



CODES subbases	Port orifices	Port orifices		
		12-14	1-2-4	3-5
355 00 076	Side	G 1/8	G 1/4	G 1/4
355 00 061		G 1/8	G 1/4	G 3/8
355 00 382	Side	G 1/8	G 3/8	G 3/8

CODES subbases	Port orifices	Port orifices		
		12-14	1-2-4	3-5
355 00 077	G 1/8	G 1/4	G 1/4	
355 00 069	Instant fittings Ø4 OD Ø8 OD		G 1/4	

VALVES ON JOINABLE SUBBASES WITH BOTTOM PORTS ISO/VDMA 24345



	CODE	Port orifices		
		12-14	2-4	1-3-5
Subbase	355 00 165	G 1/8	G 1/4	-
2 End plates	355 00 166	-	-	G 3/8

Set of end plates supplied with 3 plugs G 3/8 (for 1-3-5)

Number of subbases	A	B±1	C	Weights (kg)
3	173	150	86	2,150
4	216	193	129	2,800
5	259	236	172	3,450
6	302	279	215	4,100
7	345	322	258	4,750
8	388	365	301	5,400

Weights : valves + subbases + end plates

- ① Bottom mounting : 4 Ø M5
- ② Front mounting : 4 Ø 6.8