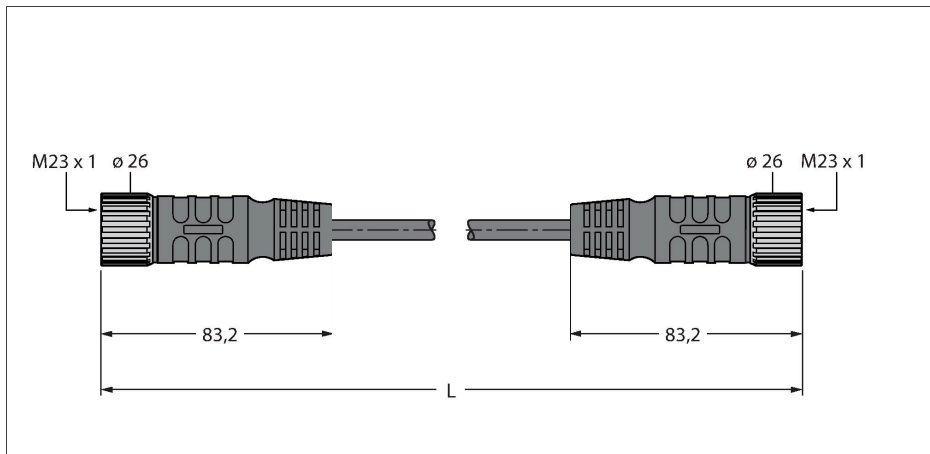


CSM CKM 19-19-5/S101

Actuator and Sensor Cable, TPE – M23 Extension Cable



Features

- M23 male connector, straight, 19-pin
- M23 female connector, straight, 19-pin
- Sheath material: TPE
- Sheath color: yellow
- Qualified for drag chain use
- Flame retardant acc. to FT1
- Approval: UL and CSA
- RoHS-compliant
- Protection class IP67
- Cable length: 5.0 m

Contact assignment



1 = VT	11 = BK
2 = RD	12 = GNYE
3 = GF	13 = BNVE
4 = RDRU	14 = BNCA
5 = GR	15 = BPH
6 = BU	16 = YE
7 = GYK	17 = FK
8 = GWH	18 = BNKY
9 = YWH	19 = BK
10 = GYWH	

Technical data

Type	CSM CKM 19-19-5/S101
ID	U0938-02
Connector A	Male, M23 × 1, Straight
Number of Pins	19
Contacts	Brass, CuZn, Gold-plated
Contact carriers	Plastic, TPU, Gray
Connector body	Plastic, TPU, Black
Coupling nut/screw	Brass, CuZn, Nickel-plated
Mechanical lifespan	> 100 Mating cycles
Pollution degree	3
Protection class	IP67, Only in screwed condition
Connector B	Female, M23 × 1, Straight
Number of pins	19
Contacts	Brass, CuZn, Gold-plated
Contact carriers	Plastic, PBT, Gray
Connector body	Plastic, TPU, Black
Coupling nut/retaining screw	Brass, CuZn, Nickel-plated
Seal	Plastic, FPM/FKM
Mechanical life	> 100 Mating cycles
Pollution degree	3
Protection class	IP67, Only when screwed together
Cable	
Cable diameter	Ø 11.2 mm ± 0.30
Cable length	5 m
Cable jacket	Yellow
Shielding	yes
Core cross-section	19 x 0.32 mm ²

Functional principle

Nominal current 9 A (pins 6, 12, 19)
Nominal current 2 A (other pins)

Technical data

Arrangement of strands	19 x 0.15 mm
Core cross-section	3x 0.82 mm ²
Litz wire arrangement	65 x 0.13 mm
Core colors	VT, RD, GY, RDBU, GN, BU, GYPK, WHGN, WHYE, WHGY, BK, GNYE, YEBN, BNGN, WH, YE, PK, GYBN, BN
Electrical properties at +20 °C	
Rated voltage	150 V
Current	2 A
Mechanical and chemical properties	
Bending radius (stationary installation)	≥ 5 x Ø
Bending radius (flexible use)	≥ 10 x Ø
Ambient temperature range (stationary)	-40 °C...+105 °C