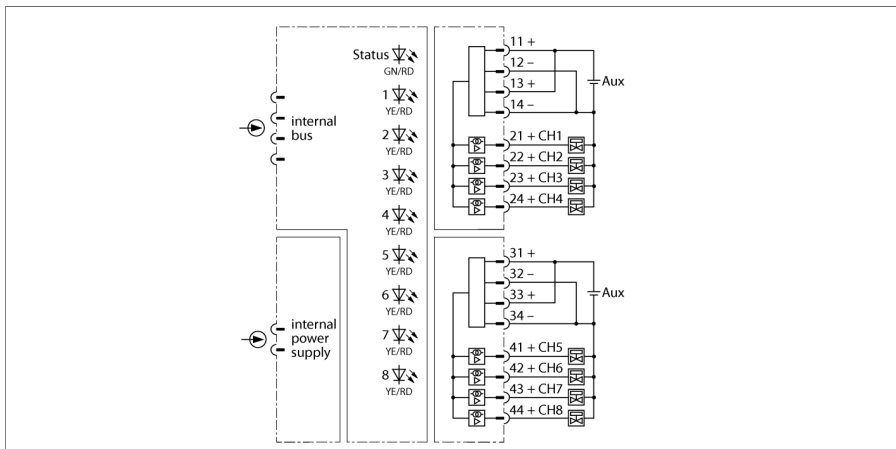


## excom I/O System Output Module, Digital, 8-channel DO80-N



The output module DO80-N can be used to connect actuators with a supply voltage of 24 VDC. The digital output module DO80-N can be used to connect eight 24-VDC actuators such as valves or indicators of 0.5 A each. The actuators are not powered via the module, but via a reverse-polarity-protected auxiliary power supply, which is fed externally via the terminals to channels 1...4 (group 1) and 5...8 (group 2) separately. To increase the load, the outputs can be connected in parallel within a group. The two output circuits are galvanically isolated from each other. Short-circuit monitoring of the DO80-N operates thermally. A current of 500 mA is guaranteed regardless of the temperature. The thermal determination of the short circuit protects the module from permanent damage.

The behaviour of the outputs can be adjusted via the PROFIBUS-DP master. Possible parameters are switching behaviour, substitute value strategy, open-circuit monitoring, short-circuit monitoring and short-circuit behaviour.

- Output module for actuators or indicators
- Output current: 8 x 0.5A

**excom I/O System**  
**Output Module, Digital, 8-channel**  
**DO80-N**

<b>Type designation</b>	DO80-N
Ident no.	6884274
<b>Supply voltage</b>	Via module rack, central power supply module
Power consumption	≤ 1 W
Galvanic isolation	two isolated groups
Number of channels	8
<b>Input circuits</b>	
Auxiliary power	2 × (19.2...30 VDC)
Power dissipation	≤ 2 W
<b>Output circuits</b>	
Output current	≤ 500 mA
Switching frequency, resistive	< 50 Hz
Switching frequency, inductive	< 1 Hz
Switching frequency, lamp load	< 2 Hz
Short circuit	< 48 Ω
Short-circuit protection	yes, cyclic
Wire break	> 10 kΩ at 0-signal; > 5 kΩ at 1-signal
<b>Ex approval acc. to conformity certificate</b>	IECEX TUR 21.0012X
Ex approval acc. to conformity certificate	TÜV 21 ATEX 8643 X
Device designation	Ⓢ II 3 G Ex ec IIC T4 Gc
<b>Operational readiness</b>	1 × green/red
State/ Fault	8 × yellow/red
<b>Housing material</b>	Plastic
Connection mode	module, plugged on rack
<b>Protection class</b>	IP20
Ambient temperature	-20...+70 °C
Relative humidity	≤ 93 % at 40 °C acc. to IEC 60068-2-78
Vibration test	Acc. to IEC 60068-2-6
Shock test	Acc. to IEC 60068-2-27
EMC	acc. EN 61326-1 (2013) acc. to Namur NE21 (2012)
MTTF	55 years acc. to SN 29500 (Ed. 99) 40 °C
Dimensions	18 x 118 x 106 mm
<b>Approvals</b>	Ex-Approval

**Dimensions**

