



Rexnord Bearings Catalog



Section Index

	Page		Page		Page
SPHERICAL ROLLER BEARINGS		BALL BEARINGS		FILAMENT BEARINGS	
Units: Rex	9	Standard Duty (200 Series)		Standard Sleeves: Rex RPT	477
Features and Benefits	10	Units: Link-Belt	297	Features and Benefits	478
Nomenclature	14	Features and Benefits	298	Nomenclature	479
Engineering	17	Nomenclature	300	Engineering	480
Dimensions		Engineering	302	Dimensions	
Pillow Blocks	31	Dimensions		Straight Sleeve	482
Flange Blocks	69	Pillow Blocks	311	Custom: Duralon	489
Cartridge Blocks	95	Flange Blocks	329	Features and Benefits	490
Take-up Blocks	107	Take-up Blocks	353	Nomenclature	491
Take-up Assemblies	122	Hanger Units	360	Engineering	492
Unmounted Replacement Bearings	142	Take-up Assemblies	363	Dimensions	
Replacement Kits	148	Hanger and Trough Units	365	Sleeve	503
SHURLOK Installation Tools	149	Unmounted Replacement Bearings	367	Annular	510
Units: Link-Belt	151	Medium Duty (200 Series)		Flange	511
Features and Benefits	152	Units: Link-Belt	381	Thrust Washers	512
Nomenclature	154	Features and Benefits	382	Annular	513
Engineering	155	Nomenclature	384	Mounting	514
Dimensions		Engineering	386	SLEEVE BEARINGS	
Pillow Blocks	161	Dimensions		Rigid: Link-Belt	517
Flange Blocks	178	Pillow Blocks	391	Features and Benefits	518
Cartridge Blocks	189	Flange Blocks	393	Nomenclature	519
Take-up Blocks	195	Take-up Blocks	399	Engineering	520
Take-up Assemblies	200	Hanger Units	401	Dimensions	
Take-up Frames	202	Unmounted Replacement Bearings	403	Pillow Block	524
Unmounted Replacement Bearings	203	Heavy Duty (300 Series)		Take-up Assemblies	526
Replacement Kits	207	Units: Link-Belt	405	Replacement Parts	527
Units: Rexnord PT Select Series	209	Features and Benefits	406	Flex Block: Link-Belt	529
Features and Benefits	210	Nomenclature	407	Features and Benefits	530
Nomenclature	211	Engineering	408	Nomenclature	531
Engineering	212	Dimensions		Engineering	532
Dimensions		Pillow Blocks	413	Dimensions	
Pillow Blocks	216	Flange Blocks	418	Pillow Blocks	535
Flange Blocks	220	Cartridge Blocks	424	Flange Blocks	536
Split Housings: Link-Belt	223	Take-up Blocks	427	ENGINEERING INFORMATION	
Features and Benefits	224	Take-up Frames	429	Vibration Information	540
Nomenclature	226	Unmounted Replacement Bearings	430	Shaft Size Tolerance	542
Engineering	228	SHURLOK Installation Tools	434	Setscrew Torque	543
Dimensions		Units: Klean-Gard	435	Bearing Selection	544
Pillow Blocks	242	Features and Benefits	436		
Take-up Assemblies	259	Nomenclature	437		
Replacement Parts	261	Engineering	438		
Link-Belt	273	Dimensions			
Features and Benefits	274	Klean-Gard Pillow Blocks	441		
Nomenclature	275	Klean-Gard Flange Blocks	442		
Engineering	276	Klean-Gard Accessory Kits	445		
Dimensions		CYLINDRICAL ROLLER BEARINGS:			
Unmounted Bearings	288	Link-Belt	447		
		Features and Benefits	448		
		Nomenclature	449		
		Engineering	450		
		Dimensions			
		Single Row	467		
		Double Row	475		

Quick Reference Tables

Rex Roller Bearings											
		Pillow Block	Page	Flange Units	Page	Piloted Flange Cartridge	Page	Steel Cartridge	Page	Cast Iron Cartridge	Page
SETSCREW MOUNT	2000	ZA, ZAS, ZA-72, ZAS-72, ZEP, ZEPS P2BRN	36 44 58 67	ZB, ZBS, ZEF ZFB	69 79 84	ZBR	87	ZCS	95	ZMC	100
	5000	ZAF, ZAFS, ZA, ZAS, ZA-72, ZAS-72, ZEP, ZEPS, ZP, ZPS P2BRN	31 39 47 62 53 67	ZB, ZBS, ZF, ZFS, ZEF	72 75 81	ZBR	90	ZCS	97	ZMC	103
ECCENTRIC CAM MOUNT	3000	ZA, ZAS, ZA-72, ZAS-72, ZEP, ZEPS	38 46 61	ZB, ZBS, ZEF ZFB	71 80 85	ZBR	89	ZCS	96	ZMC	102
ADAPTER MOUNT	6000	ZAF, ZAFS, ZA, ZAS, ZA-72, ZAS-72, ZEP, ZEPS, ZLF, ZLFS ZP, ZPS P2BRN	33 41 49 64 35 55 68	ZB, ZBS, ZF, ZFS, ZEF ZFB	73 77 82 86	ZBR	92	ZCS	98	ZMC	105
	9000	ZA, ZAS, ZA-72, ZAS-72, ZEP, ZEPS, ZP, ZPS	43 51 66 57	ZB, ZBS, ZF, ZFS, ZEF	74 78 83	ZBR	94	ZCS	99	ZMC	106

Rex Roller Bearings (continued)							
		Take-up Block	Page	Take-up Frame Assemblies	Page	Replacement Inserts	Page
SETSCREW MOUNT	2000	ZT ZN ZETP	107 114 118	ZNT ZAT	130 137	2000U	142
	5000	ZT ZN ZETP	110 116 120	ZHT ZST ZNT ZFT ZGT	122 128 133 139 140	5000U	145
ECCENTRIC CAM MOUNT	3000	ZT ZN ZETP	109 115 119	ZNT ZAT	132 138	3000U	144
ADAPTER MOUNT	6000	ZT ZN ZETP	112 117 121	ZHT ZNT	125 135	6000U	146
	9000	ZT	113			9000U	147

Quick Reference Tables

Link-Belt Roller Bearings

		Pillow Block - 2 Bolt	Page	Pillow Block - 4 Bolt	Page	Flange Units	Page	Piloted Flange Cartridge	Page	Steel Cartridge	Page	Cast Iron Cartridge	Page
SETSCREW MOUNT	B22400	PB, PEB, PKB, PKEB, EPB, EPEB	161 167 173	PB, PEB, PKB, PKEB, EPB, EPEB	163 169 174	FB, FEB, EFRB, FBB	178 181 184	FCB	186	CSEB	189	CB	193
	B22500	PB, PEB, EPB, EPEB	164 175	PB, PEB, PKB, PKEB, EPB, EPEB	164 170 175	EFB	182			CSEB	191		
ADAPTER MOUNT	B22600	PB, PEB, PKB, PKEB, EPB, EPEB	165 171 176	PB, PEB, PKB, PKEB, EPB, EPEB	166 172 177	FB, FEB, EFB, FBB	180 183 185	FCB	188	CSEB	192	CB	194

Link-Belt Roller Bearings (continued)

		Take-up Block	Page	Take-up Frame Assemblies	Page	Replacement Inserts	Page
SETSCREW MOUNT	B22400	TB ETB DSB	195 199 197	DSB	200	B400L	203
	B22500			DSHB	201	B500L	205
ADAPTER MOUNT	B22600	TB	196			B600L	206

Link-Belt Ball Bearings

		Pillow Block	Page	Tapped Base	Page	2-Bolt Flange	Page	4-Bolt Flange	Page	3-Bolt Flange Bracket	Page	Piloted Flange Cartridge	Page
SETSCREW MOUNT	S200	P3S PL3S	317 323	PT3S	326	FX3S	334	F3S	341	FB3S	345	FC3S	351
	U200	P3U PL3U	314 321	PT3U	325	FX3U	332	F3U	338	FB3U	344	FC3U	349
	MS200	MPS	392			MFXS	394	MFS	396			MFCS	398
	U300	PU, PEU P2U	415 416					FU, FEU	420			FCU, FCEU	423
ECCENTRIC CAM MOUNT	W200	P3W PL3W	316 322			FX3W	333	F3W	340				
	Y200	P3Y PL3Y	313 320			FX3Y	331	F3Y	337			FC3Y	348
	Y300	PLY	417										
CONCENTRIC MOUNT	CL200	P3CL PL3CL	311 319	PT3CL	324	FX3CL	329	F3CL	335	FB3CL	343	FC3CL	346
	MCL200	MPCL	391			MFCL	393	MFCL	395			MFCL	397
ADAPTER MOUNT	A300	PA, PEA	413					FA, FEA	418			FCA, FCEA	421
	U3K00	PU3K, PEU3K	414					FU3K, FEU3K	419			FCU3K, FCEU3K	422

Quick Reference Tables

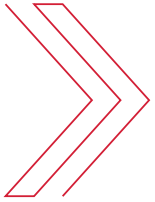
Link-Belt Ball Bearings (continued)									
		Take-up Blocks	Page	Hanger Bearings	Page	Take-up Assemblies	Page	Cartridge Bearing	Page
SETScrew MOUNT	S200	TH3S	359	CHBS EHB	360 361				
	U200	T3U TH3U	354 358	HM3	365	TDS3	363		
	MS200	MTHS	400	MCHBS MEHBS	401 402				
	U300	TU	428					CU, CEU	426
ECCENTRIC CAM MOUNT	W200								
	Y200	T3Y TH3Y	353 357						
	Y300								
CONCENTRIC MOUNT	CL200	TH3CL	355						
	MCL200	MTHCL	399						
ADAPTER MOUNT	A300	TA	427					CA, CEA	424
	U3K00							CU3K, CEU3K	425

Alphabetical Index

Series Number	Page	Series Number	Page	Series Number	Page
25 mm, 30 mm, 35 mm, 40 mm Bores	467	E		M	
25 mm thru 95 mm Bores	475	EFB	221	MCHBS200	401
45 mm, 50 mm, 55 mm Bores	468	EFB22500	182	MCLG200NLPA	403
60 mm, 65 mm, 70 mm Bores	469	EFB22600	183	MEHBS200	402
75 mm, 80 mm, 85 mm Bores	470	EFRB22400	181	MFCCCL200N	397
90 mm, 95 mm, 100 mm Bores	471	EHBS200	361	MFCL200N	395
105 mm, 110 mm, 120 mm Bores	472	EP2B	218	MFCS200N	398
130 mm, 140 mm, 150 mm Bores	473	EP4B	219	MFS200N	396
160 mm, 170 mm, 180 mm, 190 mm, 200 mm Bores	474	EPB22400, EPEB22400	173	MFXCL200N	393
2000U	142	EPB22400F, EPEB22400F	174	MFXS200	394
3000U	144	EPB22500, EPEB22500, EPB22500F, EPEB22500F	175	MPCL200N	391
3200F	537	EPB22600, EPEB22600	176	MPS200N	392
3200FX	536	EPB22600F, EPEB22600F	177	MSG200NLPA	404
3200P	535	ER	379	MSLN	380
5000U	145	ER-K	378	MTHCL200N	399
6000U	146	ER-KCL	377	MTHS200N	400
9000U	147	ETPB22400	199	P	
21200, 21200Z	524	F		P2B	216
22200LB, 22200LBK	288	F3CL200	335	P2BRN2000, P2BRN5000	67
22300LB, 22300LBK	290	F3S200	341	P2BRN6000	68
23000LB, 23000LBK	292	F3U200	338	P2U300	416
23100LB, 23100LBK	293	F3W200	340	P3CL200N	311
23200LB, 23200LBK	294	F3Y200	337	P3S200	317
23900LB, 23900LBK	295	FA300, FEA300	418	P3U200	314
2K1400Z	525	FB	220	P3W200	316
A		FB3CL200	343	P3Y200	313
AG300L	430	FB3S200	345	P4B	217
B		FB3U200	344	PA300, PEA300	413
B400L	203	FB22400, FEB22400	178	PB22400F, PEB22400F	163
B500L	205	FB22600, FEB22600	180	PB22400, PEB22400	161
B600L	206	FBB22400	184	PB22500, PEB22500, PB22500F, PEB22500F	164
BPLB6800	246	FBB22600	185	PB22600F, PEB22600F	166
C		FC	222	PB22600, PEB22600	165
CA300, CEA300	424	FC3CL200N	346	PKB22400F, PKEB22400F	169
CB22400	193	FC3S200	351	PKB22400, PKEB22400	167
CB22600	194	FC3U200	349	PKB22500F, PKEB22500F	170
CHBS200	360	FC3Y200	348	PKB22600F, PKEB22600F	172
CLG200NL	367	FCA300, FCEA300	421	PKB22600, PKEB22600	171
CSEB22400	189	FCB22400	186	PKLB6800FD8	249
CSEB22500	191	FCB22600	188	PKLB6800F, PKLB6600F	247
CSEB22600	192	FCU3K00, FCEU3K00	422	PKLB7800F, PKLB7600F	252
CU3K00, CEU3K00	425	FCU300, FCEU300	423	PL3CL200	319
CU300, CEU300	426	FF200	366	PL3S200	323
D		FU3K00, FEU3K00	419	PL3U200	321
DSB2800	526	FU300, FEU300	420	PL3W200	322
DSB22400	197	FX3CL200	329	PL3Y200	320
DSB22400XX	200	FX3S200	334	PLB6800D8, PLB6800FD8, PLB6600FD8	245
DSHB22500	201	FX3U200	332	PLB6800, PLB6800F, PLB6600F	242
DSL6800	259	FX3W200	333	PLB6900, PLB6900F, SAF22600	250
		FX3Y200	331	PLB7800, PLB7800F, PLB7600F	251
		H		PLB7900, PLB7900F, SAF22300	253
		HM3U200	365	PLB23000K	254
		K		PLB23100	256
		KLFBSS200	444	PLB23100K	255
		KLFSS200	443	PLB23200	258
		KLFXSS200	442	PLB23200K	257
		KLPSS200	441	PLY300	417
		L		PPCL200	327
		LHD FRAME	202	PPU200	328
		LHD FRAME	429	PT3CL200N	324
				PT3S200	326
				PT3U200	325
				PU3K00, PEU3K00	414
				PU300, PEU300	415

Alphabetical Index

Series Number	Page	Series Number	Page	Series Number	Page
S		Z		ZEP2000, ZEPS2000	58
SG200ELPA	376	ZA2000-72, ZAS2000-72	44	ZEP3000, ZEPS3000	61
T		ZA2000, ZAS2000	36	ZEP5000, ZEPS5000	62
T3U200	354	ZA3000-72, ZAS3000-72	46	ZEP6000, ZEPS6000	64
T3Y200	353	ZA3000, ZAS3000	38	ZEP9000, ZEPS9000	66
TA300	427	ZA5000-72, ZAS5000-72	47	ZETP2000	118
TB22400	195	ZA5000, ZAS5000	39	ZETP3000	119
TB22600	196	ZA6000-72, ZAS6000-72	49	ZETP5000	120
TDS3U200	363	ZA6000, ZAS6000	41	ZETP6000	121
TH3CL200	355	ZA9000-72, ZAS9000-72	51	ZF5000, ZFS5000	75
TH3S200	359	ZA9000, ZAS9000	43	ZF6000, ZFS6000	77
TH3U200	358	ZAF5000, ZAFS5000	31	ZF9000, ZFS9000	78
TH3Y200	357	ZAF6000, ZAFS6000	33	ZFB2000	84
TU300	428	ZAT2000	137	ZFB3000	85
U		ZAT3000	138	ZFB6000	86
U200, UB200	371	ZB2000, ZBS2000	69	ZFT5000	139
UG3K00L	431	ZB3000, ZBS3000	71	ZGT5000	140
UG200, UBG200	372	ZB5000, ZBS5000	72	ZHT5000	122
UG300L	432	ZB6000, ZBS6000	73	ZHT6000	125
W		ZB9000, ZBS9000	74	ZLF6000	35
W200, WB200	374	ZBR2000	87	ZMC2000	100
WG200, WBG200	375	ZBR3000	89	ZMC3000	102
Y		ZBR5000	90	ZMC5000	103
Y200, YB200	369	ZBR6000	92	ZMC6000	105
YG200, YBG200	370	ZBR9000	94	ZMC9000	106
YG300	433	ZCS2000	95	ZN2000	114
		ZCS3000	96	ZN3000	115
		ZCS5000	97	ZN5000	116
		ZCS6000	98	ZN6000	117
		ZCS9000	99	ZNT2000	130
		ZEF2000	79	ZNT3000	132
		ZEF3000	80	ZNT5000	133
		ZEF5000	81	ZNT6000	135
		ZEF6000	82	ZP5000, ZPS5000	53
		ZEF9000	83	ZP6000, ZPS6000	55
				ZP9000, ZPS9000	57
				ZST5000	128
				ZT2000	107
				ZT3000	109
				ZT5000	110
				ZT6000	112
				ZT9000	113



SPHERICAL ROLLER BEARINGS

Units: Rex

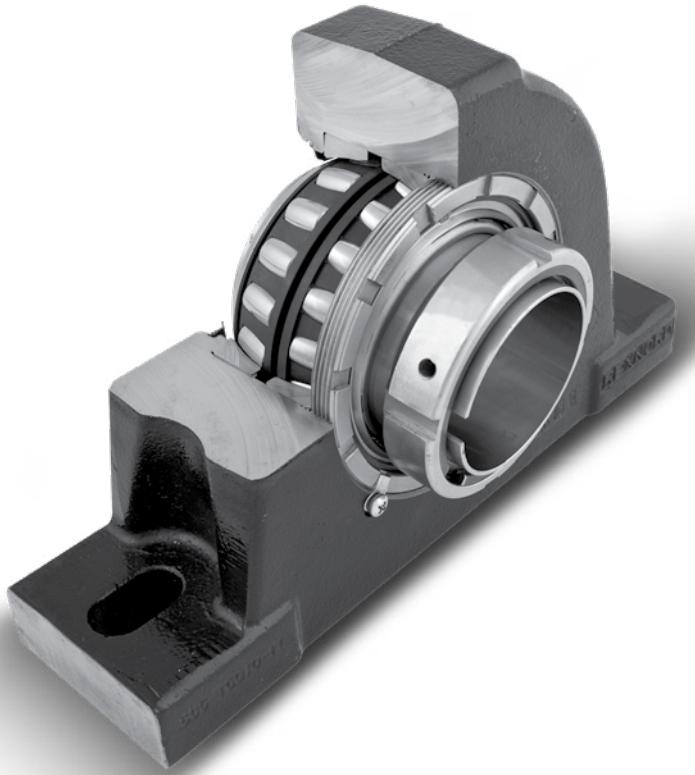
CONTENTS	PAGE
Features and Benefits	10
Nomenclature	14
Engineering	17
Dimensions	
Pillow Blocks	31
Flange Blocks	69
Cartridge Blocks	95
Take-up Blocks	107
Take-up Assemblies	122
Unmounted Replacement Bearings	142
Replacement Kits	148
SHURLOK Installation Tools	149

INDUSTRIES SERVED

- Mining
- Forest Products
- Aggregates
- Steel
- Air Handling
- Construction
- Package Handling



Rex Spherical Roller Bearings



Easy Bearing Clearance Adjustment

Can be field adjusted to meet application needs.

Replaceable Bearing

Available in single set collar, double set collar, eccentric lock and adapter mounting to suit load and installation requirements.

Shaft Ready

Pre-lubricated with our standard grease for normal operation; other lubricants available for special conditions.

Super-finished Raceways

Super-finished raceways provide a cool running, quiet, high-speed and high-load capacity bearing.

Rugged Housing

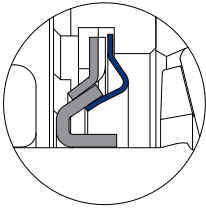
Standard material — cast iron. Steel or ductile iron available on request.

Multiple Housing Styles

Providing mounting features to match the operational and structural requirements.

Interchangeable Seals – Seal Types

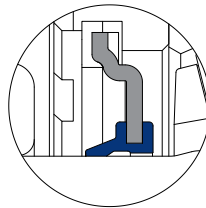
Type Z Seal Clearance



Denoted with a "Z" prefix in the model number. The standard seal used in the majority of applications.

- No frictional drag — generates no heat
- No speed limitations
- All metal — no temperature limitations

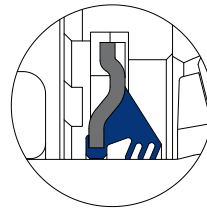
Type K Seal Light Contact



Substitute prefix "K" for "Z" in model number. Molded nitrile rubber lip seals out contaminants.

- Protects against contaminants
- Handles high speeds and vibration
- Less drag and heat generation than heavy contact seals

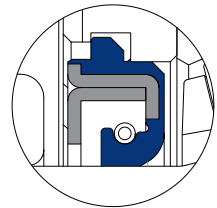
Type G Triple Lip Seal



Substitute prefix "G" for "Z" in model number. Premium elastomer, heavy duty contact, triple lip seal.

- Protects against fine particles and moisture
- Three contacting lips provide constant contact even during misalignment
- Metal outboard guard protects inner seal lips from abrasion and damage

Type M Seal Heavy Contact



Substitute prefix "M" for "Z" in model number. Premium elastomer, spring loaded contact lip.

- Protects against liquids and grit
- Spring loaded lip assures constant contact, even during misalignment
- Molded-in garter spring retains seal in housing
- Seals in lubricant on horizontal and vertical shafts
- Available in Viton® material

Auxiliary Cap Seals

- Recommended for severe environments
- Provide supplemental protection for the primary seal
- Seals against liquids and gritty contaminants. Particularly effective against water washdown, taconite, cement, sand or caking build-up
- Provides safety, encloses rotating mounting hardware
- Protects primary seal from physical damage
- May be filled with grease to provide purging action
- Available as open or closed end cap

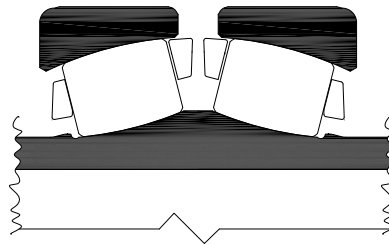


- Use “CB” Suffix in model number
- Protects from rotating shaft exposure and Foreign material penetration

Integral Self-Alignment

Our bearings represent the continuation of 80 years of bearing technology and experience. This design allows the inner race to misalign freely in any direction up to 4° of total misalignment.

By design, these bearings accept both radial and thrust loads under static, oscillatory, or dynamic conditions. The load is taken on the roller raceways, not the roller ends. This means that when thrust is loaded up to their allowable limit, **the bearings do not exhibit roller end wear.**



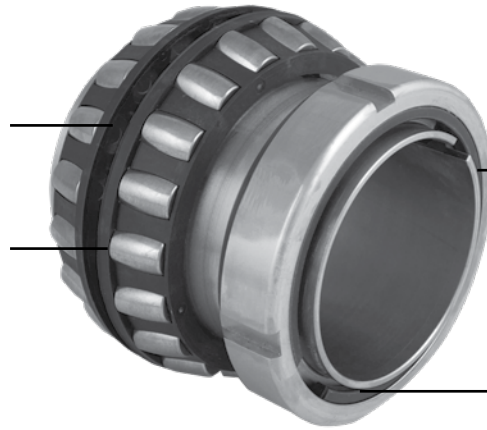
Featuring SHURLOK Adapter Mounts – Taking the Mystery Out of Mounting

Auxiliary end caps and four field interchangeable seal options ensure long bearing life through a full range of applications.

Self-aligning spherical roller bearing provides a total of 4° static and dynamic misalignment.

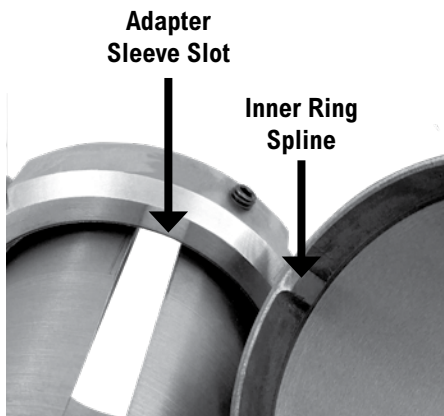
Super-finished raceways provide a cool running, quiet, high-speed and high-load capacity bearing

Roller elements are precision ground and super-finished to provide longer bearing life



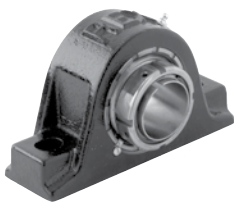
Adapter sleeve assembly allows easy installation/removal, plus enables use of commercial grade shafts

Positive Locking System allows minimal vibration during operation, therefore not requiring scheduled inspections for snugness of mountings



Positive Locking System

6000 Series SHURLOK Roller Bearings are Also Available with These Housings



Pillow Block



Flanged Units



Flanged Cartridge



Take-up Units



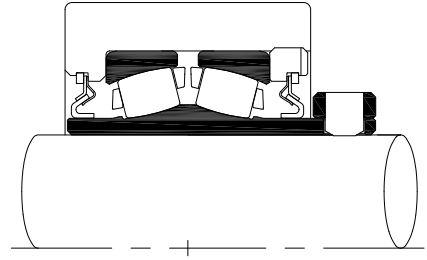
Take-up Assemblies

Shaft Mounting Styles

The following five mounting styles are available in any housing style.

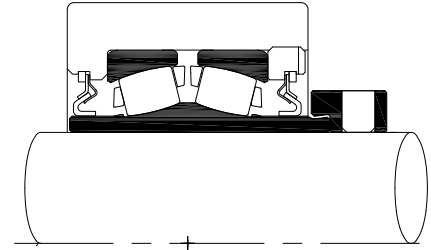
2000 Series Single Set Collar

- Normal duty
- Simplest installation
- Most economical



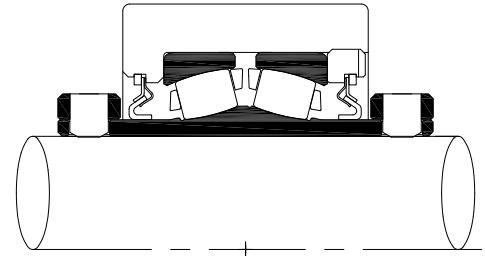
3000 Series Twist Lock™ Eccentric Locking Collar

- Medium duty
- Additional shaft holding power
- Accommodates undersized shafting
- Economical



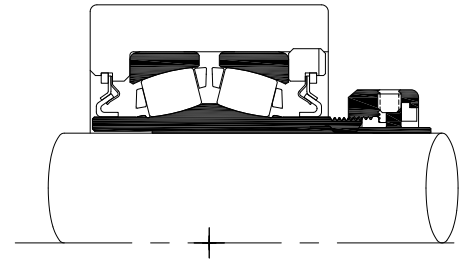
5000 Series Double Set Collar

- Heavy duty
- Increased shaft holding power and stability
- Moderate cost



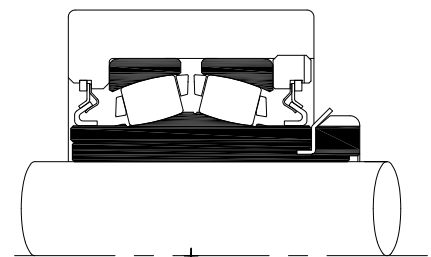
6000 Series SHURLOK Adapter Mount

- Heavy duty
- Full bore contact for maximum shaft holding power, concentricity and running accuracy
- Accommodates undersized shafting
- Easily removable



9000 Series Adapter Mount

- Extra heavy duty
- Full bore contact for maximum shaft holding power, concentricity and running accuracy
- Accommodates undersized shafting



Nomenclature

Symbol	Description	A	Z	A - 2	207	F					
A	Two open auxiliary end caps										
AB	One open auxiliary end cap on locknut side, one closed on housing side										
B	Two auxiliary end caps (open on housing side, closed on threaded cover side)										
BA	One open auxiliary end cap on housing side, one closed on locknut side										
X	Designates "SPECIAL UNITS", contact Rexnord Industries										
Z	Clearance seal										
K	Light contact seal										
M	Heavy contact seal										
G	Triple Lip Seal										
A	Pillow block, fixed										
AS	Pillow block, floating										
AF	Pillow block, fixed SAF interchange										
AFS	Pillow block, floating SAF interchange										
LF	Split pillow block, fixed SAF interchange										
LFS	Split pillow block, floating SAF interchange										
P	Pillow block, fixed										
PS	Pillow block, floating										
EP	Pillow block, fixed Type E interchange										
EPS	Pillow block, floating Type E interchange										
B	Flanged block, fixed 4-bolt										
BS	Flanged block, floating 4-bolt										
EF	Flanged block, fixed 4-bolt Type E interchange										
F	Flanged block, fixed 4 or 6-bolt										
FS	Flanged block, floating 4 or 6-bolt										
BR	Flanged cartridge block, fixed 4-bolt round										
CS	Cartridge block, steel housing										
MC	Cartridge block, cast iron housing										
N	Take-up block for protected screw frame										
T	Take-up block for center pull frame										
AT	Center pull take-up assembly										
NT	Protected screw take-up assembly										
HT	Center pull take-up assembly										
FT	Elevator boot end take-up assembly										
GT	Elevator head end take-up assembly										
ST	Center pull spring loaded take-up assembly										
11	Size code – only for take-up blocks and assemblies										
2	2000 Series, single set collar										
3	3000 Series, eccentric locking collar										
5	5000 Series, double set collar										
6	6000 Series, SHURLOK tapered adapter sleeve										
9	9000 Series, tapered adapter sleeve										
207	2 7/16" – last two digits in 16 th of an inch										
100MM	100 millimeters										
24	Inches of take-up adjustment – only for take-up assemblies										
A	One open auxiliary end cap (threaded cover side)										
B	One closed auxiliary end cap (threaded cover side)										
C	Closed end cap housing side										
CB	Closed end cap collar side										
F	4-bolt housing (pillow blocks only)										
G	Face locked threaded cover										
H	Reverse assembly										
PL	Precision bore diameter and bore roundness										
R	Tight fit of outer races in housing (high vibration, shock loading)										
S	Machined pilot on face of flanged units										
V	Viton seal material (when M seal suffix is used)										
Y	Redesigned shaft size – not interchangeable										
04	C5 internal clearance (high temperature)										
05	C4 internal clearance (high speed)										
06	C0 internal clearance										
07	C2 internal clearance										
40	Preservative only, no lubrication in unit										
42	Grease designation for Chevron SRI #2										
43	Grease designation for Mobilith SHC460										
63	Grease designation for Mobilith SHC100										
66	Housing drilled both sides for aux caps										
72	Steel housing										
78	Steel retainers										
82	Inner race with Rexlon lined bore - Teflon™ material										

▼ Teflon™ is a trademark of The Chemours Company FC, LLC used under license by Toray Fluorofibers (America), Inc.

Nomenclature – Metric Bearing Units

Symbol	Description	P2B	RN09	6	045MM	Z	E
P2B	Metric 2 Bolt Pillow Block	----- ----- ----- ----- ----- -----					
RN09	Rexnord Metric 09=ReX Size Code	----- ----- ----- ----- ----- -----					
2	2000 Series Single Set Collar	----- ----- ----- ----- ----- -----					
3	3000 Series Eccentric Collar	----- ----- ----- ----- ----- -----					
5	5000 Series Double Set Collar	----- ----- ----- ----- ----- -----					
6	6000 Series Shurlok Tapered Adapter	----- ----- ----- ----- ----- -----					
9	9000 Series Tapered Adapter	----- ----- ----- ----- ----- -----					
045MM	45 Millimeter Shaft Size	----- ----- ----- ----- ----- -----					
Z	All Metal Clearance Seal	----- ----- ----- ----- ----- -----					
K	Buna Light Contact Single Lip Seal	----- ----- ----- ----- ----- -----					
M	Buna Heavy Duty Spring Loaded Lip Seal	----- ----- ----- ----- ----- -----					
MV	Viton Heavy Duty Spring Loaded Lip Seal	----- ----- ----- ----- ----- -----					
G	Buna Triple Lip Seal	----- ----- ----- ----- ----- -----					
"Blank"	Fixed Unit	----- ----- ----- ----- ----- -----					
E	Expansion Unit	----- ----- ----- ----- ----- -----					

Seal Rating Guide

Application Conditions	Seal Ratings					
	Clearance	Light Contact	Heavy Contact	Viton	Triple Lip	Auxiliary Cap Consideration
	Z	K	M	M	G	
Shaft position						
Horizontal Shaft	4	4	4	4	4	
Vertical Shaft	1	3	4	4	4	
Operating Temperature						
Below -40°F	4	1	1	2	1	
-40°F to 0°F	4	3	3	4	3	
0°F to +250°F	4	4	4	4	4	
+250°F to +400°F	4	0	0	4	0	
Over 400°F	4	0	0	0	0	
Speed						
Equal to / Less than limit below	4	4	4	4	4	
More than limit below	4	1	1	1	1	
Vibration/Shock						
Occasional - Mild	3	4	4	4	4	
Occasional - Severe	2	4	4	4	4	
Continuous - Mild	1	4	3	3	3	
Continuous - Severe	0	4	3	3	3	
Abrasive Material						
Coarse - Over #10 Mesh	4	4	4	4	4	X
Small - #10 to #50 Mesh	3	4	4	4	4	X
Fine - #50 to #200 Mesh	1	3	4	4	4	X
Very fine - Under #200 Mesh	0	3	4	4	4	X
“Caking or buildup” (cement, etc.)	2	4	4	4	4	X
Moisture						
Splash	2	3	4	4	4	X
Rain	2	3	4	4	4	X
Saturated Atmosphere	1	3	4	4	4	X
Flooding	0	1	3	3	4	X
Pressure Wash	0	1	4	4	4	X
Fibrous Material						
Short Fibers (lint, etc.)	1	3	4	4	4	X
Long Fibers (grass, etc.)	1	3	4	4	4	X
Chemical						
Acid Fumes and Liquids	1	1	1	4	1	X
Alkaline Fumes and Liquids	1	1	1	4	1	X

To extend life in tough applications, our application experience indicates that special consideration should be given to the addition of Auxiliary Cap Seals in the areas shaded with and “X” on the chart.

Rating Code

- 4 - Excellent - Best seal for conditions listed.
- 3 - Good - Sealability is above average.
- 2 - Fair - Seal performs under intermittent conditions.
- 1 - Limited - Actual conditions must be known to evaluate sealability. Contact Rexnord for special assistance in the realm of materials and designs.
- 0 - Not acceptable - Will not effectively perform seal functions. Contact Rexnord for special assistance in the realm of materials and designs.

Seal Selection Guide

The choice of the seal for a mounted bearing is often the key to successful bearing operation and long service life. The SEAL SELECTION GUIDE incorporates years of Rexnord’s experience against the wide variety of conditions encountered on actual applications. Following the simple selection procedure outlined can translate the benefits of that broad experience to the individual applications through the choice of the most effective seal.

How to Use the Selection Guide

- The appropriate seal for a given application may be selected by comparing the job application conditions against those listed in the Seal Rating Guide on this page.
- When more than one application condition is present, the most appropriate seal may be selected based on prime sealing for the most detrimental condition, and secondary consideration given to the other application conditions.
- Addition of auxiliary caps will enhance the primary seal performance shown in the chart.

Considerations in Addition to Seal Selection

Under certain adverse conditions, other changes should be considered to achieve maximum bearing life:

- High temperature lubricants where housing or ambient temperatures exceed +200°F,
- Special greases for additional bearing protection where excessive water, solvents or chemicals are present.
- EP (extreme pressure) greases where high load, high shock load, or continuous vibration is present.
- Readjustment of internal operating clearance of bearing where extreme high or low temperature conditions exist.

Seal Speed Limit Table*

Size Code	2	3	4	5	6	7	8	9	10	11	12	13	14	15	16	
Bearing Number	2000	2012	2102	2107	2111	2115	2203	2206	2211	2303	2311					
		2012	2103	2108	2112	2200	2204	2207	2212	2307	2315					
	2100	2104					2208	2215	2308	2400						
	3000			3107	3111	3115	3203	3207	3211	3307	3315					
								3208	3215	3308						
5000			5107	5108	5115	5200	5207	5208	5303	5311	5403Y	5415	5507	5515	5607	
				5111		5203		5215	5307	5315	5407Y	5500	5600	5615	5700	
6000			6107	6111	6115	6203	6206	6211	6303	6311	6403Y	6415	6507	6515	6607	
							6207	6212	6307	6315	6407Y			6615	6615	
9000						9115	9203	9207	9211	9303	9311Y	9403	9415	9503	9515	
						9200		9208	9215	9307	9315Y	9407	9500	9507	9600	
(RPM)	Z	6500	5750	5250	4450	4050	3650	3300	2800	2400	2050	1850	1600	1000	900	800
	K	4500	4000	3600	3100	2800	2500	2300	1900	1700	1400	N/A	N/A	N/A	N/A	N/A
	M	4400	3700	3300	2800	2500	2200	2000	1700	1400	1200	1100	1000	900	800	700
	G	N/A	2375	2175	1850	1675	1500	1350	1150	1000	850	775	650	N/A	N/A	N/A
Size Code	2	3	4	5	6	7	8	9	10	11	12	13	14	15	16	

Refer to Seal Rating Guide shown above for speeds in excess of those listed in this table.

*Actual bearing speed limits are largely based upon the applied load and can be found on the Load Rating Table.

Selection Guide

To select a bearing, determine the applied radial load, the applied thrust load, the desired Rating Life, and applicable operating conditions. The procedure shown here will aid in selecting a bearing to meet an L_{10} design life. The formulas for calculating life expectancy should be used to determine the Rating Life L_{10} for the bearing selected.

The selection procedures and rating formulas shown here are in agreement with The American Bearing Manufacturers Association Standards and ANSI/ABMA STD 9-1990. Ratings are based on fatigue life. The Rating Life L_{10} or fatigue life at 90% reliability is the usual basis for bearing selection.

To assure a satisfactory bearing application, fitting practice, mounting, lubrication, sealing, static rating, housing strength, operating conditions and maintenance must be considered.

Steps for Selection

Step 1

Determine an appropriate L_{10} design life.

Type of service	Operating time, hours per year	Design life, years	L_{10} design life, hours
Light seasonal usage	500 to 750	3-5	3,000
Heavy seasonal usage	1,400 to 1,600	4-6	8,000
Industrial—8 hour shift	2,000	10	20,000
Industrial—16 hour shift	4,000	10	40,000
Industrial—continuous	8,700	10	80,000 to 100,000

Step 2

Determine a required $\left(\frac{C}{P}\right)$ from Table 1.

Step 3

Calculate the required C and select a roller bearing.

a For radial load only:

$$P = F_r$$

$$\text{required } C = \left(\frac{C}{P}\right) P \text{ using } \left(\frac{C}{P}\right) \text{ from Step 2}$$

Select a roller bearing from Table 2 with a basic load rating C equal to or greater than the required C.

Step 3 (continued)

b For combined radial and thrust loads:

Select a trial roller bearing of the desired shaft size from Table 2.

Calculate the ratio of thrust load F_a to the radial load F_r .

$$\frac{F_a}{F_r}$$

Calculate the equivalent radial load P

$$P = X F_r + Y F_a$$

If $\frac{F_a}{F_r}$ is equal to or less than e, then $P = X1 F_r + Y1 F_a$

If $\frac{F_a}{F_r}$ is greater than e, then $P = X2 F_r + Y2 F_a$

For values of e, X1, Y1, X2, and Y2, see Table 2.

Calculate the required C

$$\text{required } C = \left(\frac{C}{P}\right) P \text{ using } \left(\frac{C}{P}\right) \text{ from Step 2.}$$

Consult Table 2, basic load rating. If a smaller bearing meets, or nearly meets, the required C, its life expectancy can be calculated.

Note: If the load P is greater than .25C, consult Rexnord Bearing Division.

Selection

Symbols for formulas:

- C = basic load rating, pounds (or newtons)
- Co = static load rating, pounds (or newtons)
- e = a reference value
- Fa = thrust load, pounds (or newtons)
- Fr = radial load, pounds (or newtons)
- L10 = rating life, hours
- n = speed, revolutions per minute
- P = equivalent radial load, pounds (or newtons)
- X = radial factor
- Y = thrust factor

Table 1 • Relation of L10 life and speed to $\left(\frac{C}{P}\right)$

Bearing Life Hours L10	Speed, n									
	50	100	200	300	400	500	600	700	800	
3000	1.93	2.38	2.93	3.31	3.61	3.86	4.07	4.27	4.44	
4000	2.11	2.59	3.19	3.61	3.93	4.20	4.44	4.65	4.84	
5000	2.25	2.77	3.42	3.86	4.20	4.50	4.75	4.97	5.18	
6000	2.38	2.93	3.61	4.07	4.44	4.75	5.02	5.25	5.47	
8000	2.59	3.19	3.93	4.44	4.84	5.18	5.47	5.73	5.96	
10000	2.77	3.42	4.20	4.75	5.18	5.54	5.85	6.12	6.37	
12000	2.93	3.61	4.44	5.02	5.47	5.85	6.18	6.47	6.73	
14000	3.07	3.78	4.65	5.25	5.73	6.12	6.47	6.77	7.05	
16000	3.19	3.93	4.84	5.47	5.96	6.37	6.73	7.05	7.34	
18000	3.31	4.07	5.02	5.66	6.18	6.60	6.97	7.30	7.60	
20000	3.42	4.20	5.18	5.85	6.37	6.81	7.20	7.54	7.85	
25000	3.65	4.50	5.54	6.25	6.81	7.29	7.70	8.06	8.39	
30000	3.86	4.75	5.85	6.60	7.20	7.70	8.13	8.51	8.86	
35000	4.04	4.97	6.12	6.92	7.54	8.06	8.51	8.92	9.28	
40000	4.20	5.18	6.37	7.20	7.85	8.39	8.86	9.28	9.66	
45000	4.36	5.36	6.60	7.46	8.13	8.69	9.18	9.61	10.00	
50000	4.50	5.54	6.81	7.70	8.39	8.97	9.48	9.92	10.30	
60000	4.75	5.85	7.20	8.13	8.86	9.48	10.00	10.50	10.90	
70000	4.97	6.12	7.54	8.51	9.28	9.92	10.50	11.00	11.40	
80000	5.18	6.37	7.85	8.86	9.66	10.30	10.90	11.40	11.90	
90000	5.36	6.60	8.13	9.18	10.00	10.70	11.30	11.80	12.30	
100000	5.54	6.81	8.39	9.48	10.30	11.00	11.70	12.20	12.70	
150000	6.25	7.70	9.48	10.70	11.70	12.50	13.20	13.80	14.40	
200000	6.81	8.39	10.30	11.70	12.70	13.60	14.40	15.00	15.70	
	Speed, n									
	900	1000	1200	1500	1800	2400	3000	3600	6000	
3000	4.60	4.75	5.02	5.36	5.66	6.18	6.60	6.97	8.13	
4000	5.02	5.18	5.47	5.85	6.18	6.73	7.20	7.60	8.86	
5000	5.36	5.54	5.85	6.25	6.60	7.20	7.70	8.13	9.48	
6000	5.66	5.85	6.18	6.60	6.97	7.60	8.13	8.59	10.00	
8000	6.18	6.37	6.73	7.20	7.60	8.29	8.86	9.36	10.90	
10000	6.60	6.81	7.20	7.70	8.13	8.86	9.48	10.00	11.70	
12000	6.97	7.20	7.60	8.13	8.59	9.36	10.00	10.60	12.30	
14000	7.30	7.54	7.96	8.51	8.99	9.80	10.50	11.10	12.90	
16000	7.60	7.85	8.29	8.86	9.36	10.20	10.90	11.50	13.40	
18000	7.88	8.13	8.59	9.18	9.70	10.60	11.30	11.90	13.90	
20000	8.13	8.39	8.86	9.48	10.00	10.90	11.70	12.30	14.40	
25000	8.69	8.97	9.48	10.10	10.70	11.70	12.50	13.20	15.40	
30000	9.18	9.48	10.00	10.70	11.30	12.30	13.20	13.90	16.20	
35000	9.61	9.92	10.50	11.20	11.80	12.90	13.80	14.60	17.00	
40000	10.00	10.30	10.90	11.70	12.30	13.40	14.40	15.20	17.70	
45000	10.40	10.70	11.30	12.10	12.80	13.90	14.90	15.70	18.30	
50000	10.70	11.00	11.70	12.50	13.20	14.40	15.40	16.20	18.90	
60000	11.30	11.70	12.30	13.20	13.90	15.20	16.20	17.10	20.00	
70000	11.80	12.20	12.90	13.80	14.60	15.90	17.00	17.90	20.90	
80000	12.30	12.70	13.40	14.40	15.20	16.50	17.70	18.70	21.80	
90000	12.80	13.20	13.90	14.90	15.70	17.10	18.30	19.40	22.60	
100000	13.20	13.60	14.40	15.40	16.20	17.70	18.90	20.00	23.30	
150000	14.90	15.40	16.20	17.30	18.30	20.00	21.40	22.60	26.30	
200000	16.20	16.70	17.70	18.90	20.00	21.80	23.30	24.60	28.70	

Basic Formula

$$\left(\frac{C}{P}\right) = \left(\frac{L_{10} \times n \times 60}{1,000,000}\right)^{3/10}$$

$$L_{10} = \frac{\left(\frac{C}{P}\right)^{10/3} \times 1,000,000}{n \times 60}$$

Life Expectancy

To calculate the Rating Life L10 of any selected or trial bearing:

Step 1

Determine the equivalent radial load P.

a For radial load only:

$$P = Fr$$

b For combined radial and thrust load:

$$P = XFr + YFa$$

if $\frac{Fa}{Fr}$ is equal to or less than e, then

$$P = X1Fr + Y1Fa$$

if $\frac{Fa}{Fr}$ is greater than e, then

$$P = X2Fr + Y2Fa$$

For values of e, X1, Y1, X2, and Y2, consult the appropriate bearing rating Table 2.

Step 2

Calculate the ratio of the basic load rating C to the equivalent radial load.

$$\left(\frac{C}{P}\right)$$

Step 3

Approximate the bearing life from Table 1.

Life Adjustment

The Rating Life, L10, may be modified for some applications in accordance with the formula

$$Ln = a1a2a3L10$$

where Ln = Adjusted life for (100-n) % reliability,

a1 = Life adjustment factor for reliability

a2 = Life adjustment factor for material and processing

a3 = Life adjustment factor for operating conditions.

For most normal applications, all factors will be taken as 1, and the Rating Life used as the selection basis or life estimate. In addition, as long as standard catalog bearings are used, a2 will be normally set equal to one.

The factor a3 covers such things as lubrication, misalignment, and temperature. Some conditions that could yield a3 significantly different than unity include speeds less than 20000 DN or greater than 200000 DN, temperatures below -40°F (-40°C) or above 275°F (135°C). For other possible conditions, as well as additional information on life adjustment factors, consult Rexnord Bearing Division.

Table 2 • Load Ratings and Speed Limits

Table with columns: Size Code, Co Static load rating (newtons/pounds), C Basic load rating* (newtons/pounds), Approximate speed limit RPM (Z seal, K seal, M seal, G seal), e, Fa/Fr ≤ e (X1, Y1), Fa/Fr > e (X2, Y2). Rows 2-16.

*Values in table represent the 9000 and 6000 series bearings. When commercial grade shafting and clearance mounting are used, the table values should be reduced up to 5% for the 5000 series, 10% reduction for 3000 and reduced up to 15% for the 2000 series.

Adjustment Table

Table with columns: Size Code, Shaft Size (Inches) (2000, 3000, 5000 Series), Standard Factory Adjustment (Average Speed and Temperature) (Standard Degrees Adjust, Standard Radial Clearance, Standard Axial Clearance), Recommended Adjustment High Speeds (Speed Over, High Speed Degrees Adjust., High Speed Radial Clearance, High Speed Axial Clearance), Clearance Adjustment Inches Per 15 Degrees (Radial, Axial). Rows 2-16.

Table with columns: Size Code, Shaft Size (Inches) (6000 Series), Standard Factory Adjustment (Average Speed and Temperature) (Standard Factory Degrees Adjustment, Unmounted Radial Clearance, *Mounted Standard Radial Clearance, Unmounted Standard Axial Clearance, *Mounted Standard Axial Clearance), Recommended Adjustment High Speeds (Speed Over, High Speed Deg. Adj., Unmounted High Speed Radial Clearance, *Mounted High Speed Radial Clearance, Unmounted High Speed Axial Clearance, *Mounted High Speed Axial Clearance), Clearance Adjustment Inches Per 15 Degrees (Radial, Axial). Rows 4-16.

Table with columns: Size Code, Shaft Size (Inches) (9000 Series), Standard Factory Adjustment (Average Speed and Temperature) (Standard Factory Degrees Adjustment, Unmounted Radial Clearance, *Mounted Standard Radial Clearance, Unmounted Standard Axial Clearance, *Mounted Standard Axial Clearance), Recommended Adjustment High Speeds (Speed Over, High Speed Deg. Adj., Unmounted High Speed Radial Clearance, *Mounted High Speed Radial Clearance, Unmounted High Speed Axial Clearance, *Mounted High Speed Axial Clearance), Clearance Adjustment Inches Per 15 Degrees (Radial, Axial). Rows 7-16.

*Mounted clearance result of tightening tapered adapter

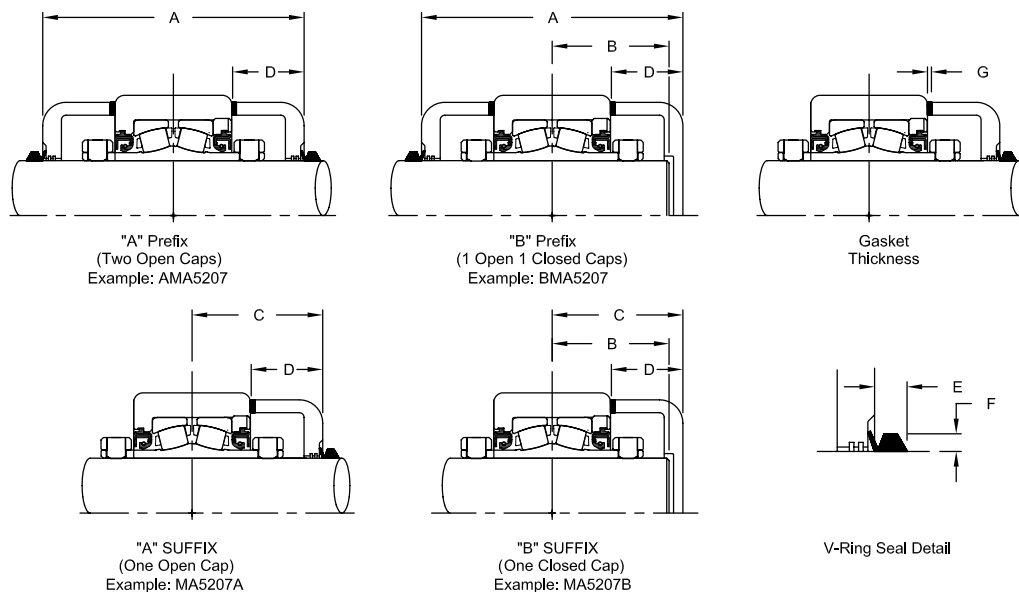
Table 3 • Rex Size Code Interchange Table

Shaft Size	REX 2000 Single Set Collar Bearing Number	REX 3000 Twist Lock Eccentric Lock Bearing Number	REX 5000 Double Set Collar Bearing Number	REX 6000 SHURLOK Tapered Adapter Bearing Number	REX 9000 Tapered Adapter Bearing Number	Size Code	Approx Outer Race Dia.
3/4 15/16 25 mm 1	2012 2015 2025MM 2100					2	2.370
1-1/8 30 mm 1-3/16 1-1/4	2102 2030MM 2103 2104					3	2.630
35 mm 1-7/16 1-1/2	2035MM 2107 2108	3107	5035MM 5107	6035MM 6107		4	2.830
1-1/2 40 mm 1-11/16 1-3/4 45 mm	2040MM 2111 2112 2045MM	3111	5108 5040MM 5111 8112 5045MM	6040MM 6111		5	3.340
1-15/16 50 mm 2	2115 2050MM 2200	3115	5115 5050MM 8200	6115 6045MM		6	3.540
45 mm 50 mm 1-15/16 2 55 mm 2-3/16 2-1/4	7200 2055MM 2203 2204	3203	5200 5055MM 5203	6050MM 6055MM 6203	9045MM 9050MM 9115 9200	7	3.940
55 mm 2-3/16 60 mm 2-3/8 2-7/16 2-1/2 65 mm	2060MM 2206 2207 2208 2065MM	3207 3208	5060MM 5207 5065MM	6060MM 6206 6207	9055MM 9203	8	4.320
2-7/16 2-1/2 65 mm 2-11/16 2-3/4 2-13/16 70 mm 2-7/8 2-15/16 75 mm 3	7208 2211 2212 2070MM 2215 2075MM 2300	3211 3215	5208 5211 5212 5070MM 5215 5075MM 8300	6065MM 6211 6212 6213 6070MM 6214 6215 6075MM	9207 9208	9	5.120
2-11/16 2-15/16 3 75 mm 80 mm 3-3/16 85 mm 3-7/16 3-1/2 90 mm	7215 2080MM 2303 2085MM 2307 2308 2090MM	3307 3308	5080MM 5303 5085MM 5307 8308 5090MM	6080MM 6303 6085MM 6307	9211 9215 9300 9075MM	10	5.900
80 mm 3-3/16 3-7/16 3-1/2 90 mm 3-11/16 3-3/4 100 mm 3-15/16 4	2B090MM 2311 2312 2100MM 2315 2400	3315	5311 5100MM 5315 5400	6090MM 6311 6100MM 6315	9080MM 9303 9307 9308	11	7.090
3-11/16 3-15/16 4 4-3/16 110 mm 4-7/16 4-1/2 115 mm			5403Y 5110MM 5407Y 5408Y 5115MM	6403Y 6110MM 6407Y	9311Y 9315Y 9400Y	12	7.680
4-3/16 4-7/16 115 mm 120 mm 125 mm 4-15/16 5 130 mm			5120MM 5125MM 5415 5500 5130MM	6115MM 6125MM 6415	9403 9407	13	9.050
4-15/16 5 5-7/16 5-1/2 140 mm			5507 5508 5140MM	6507	9415 9500	14	10.630
5-3/16 5-7/16 150 mm 5-15/16 6 160 mm 5-15/16 6			5150MM 5515 5600 5160MM	6515	9503 9507	15	11.420
5-15/16 6 6-7/16 6-1/2 6-15/16 7 180 mm			5607 5608 5615 5700 5180MM	6607 6608 6615	9515 9600 9607	16	12.600

Auxiliary Cap Seals for 2000, 3000, 5000, 9000 Series

Kit Nomenclature

Symbol	Description	A	S	9	-	2	15
A	open cap	-----					
B	closed cap	-----					
S	floating type	-----					
*	leave blank for fixed type	-----					
4-16	bearing size code from dimension page	-----					
215	2 15/16" last two digits in 16th of an inch	-----					
*	not required for closed style caps	-----					



Cast Iron Auxiliary Cap**

Size Code	Fixed Bearings Only				Floating (Expansion) Bearings Only				V-Ring Seal		Gasket G
	A	B	C	D*	A	B	C	D*	E	F	
4	5 5/16	2 5/16	2 11/16	1 9/16	5 1/2	2 3/8	2 3/4	1 17/32	3/8	3/16	3/16
5	5 1/2	2 7/16	2 3/4	1 17/32	5 3/4	2 1/2	2 7/8	1 15/32			
6	5 9/16	2 7/16	2 13/16	1 9/16	5 3/4	2 1/2	2 7/8	1 17/32			
7	5 3/4	2 1/2	2 7/8	1 19/32	6 1/16	2 5/8	3 1/16	1 21/32			
8	6 1/16	2 3/4	3 1/16	1 23/32	6 5/16	2 3/4	3 3/16	1 23/32	7/16	1/4	
9	7	3 1/8	3 1/2	1 15/16	6 15/16	3 1/16	3 1/2	1 25/32			
10	6 15/16	3 1/16	3 1/2	1 13/16	7 3/8	3 5/8	3 11/16	1 29/32			
11	8 5/16	3 5/8	4 3/16	2 5/32	8 9/16	3 3/4	4 5/16	2 5/32	9/16	5/16	
12	8 1/2	3 3/4	4 1/4	2 3/16	9 3/8	4 5/16	4 11/16	2 1/2			
13	10 1/8	4 1/2	5 1/16	2 9/32	10 9/16	4 3/4	5 5/16	2 9/32			
14	10 1/8	4 1/2	5 1/16	2 9/32	11 1/16	5	5 9/16	2 5/8			
15	11 1/16	4 15/16	5 9/16	2 5/8	11 1/2	4 15/16	5 3/4	2 3/4	5/8	3/8	
16	11 3/16	5	5 5/8	2 1/2	11 5/8	5 1/4	5 13/16	2 5/8			

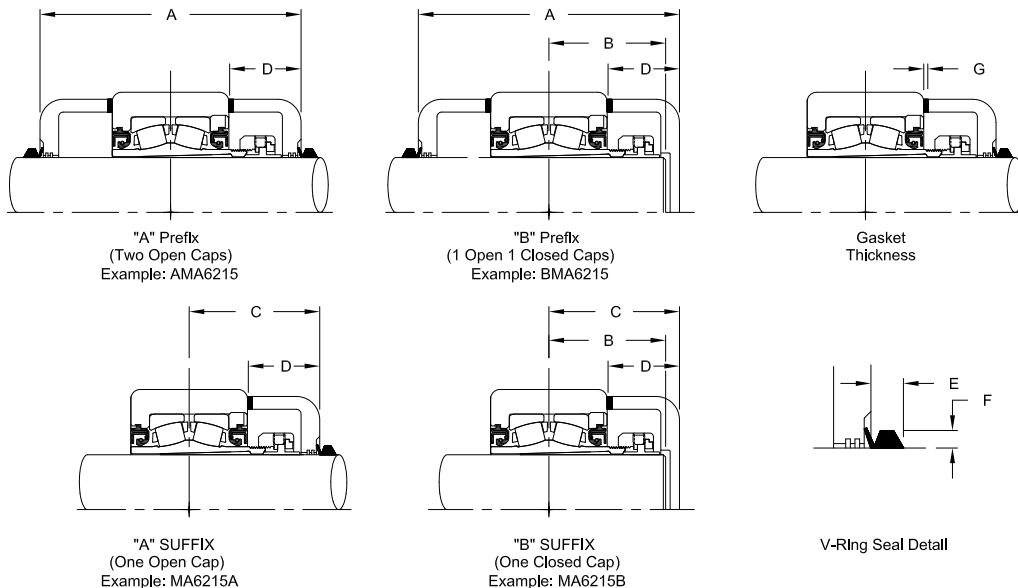
**Standard cast iron auxiliary caps are not available on P2BRN pillow blocks.

Adapter Auxiliary End Cap Dimensions for 6000 Series Size Codes 6-13

Kit Nomenclature

Symbol	Description
A	open cap
B	closed cap
S	floating type
*	leave blank for fixed type
6-13	bearing size code from dimension page
6	type "A" open caps
6000	type "B" closed caps
215	2-15/16" last two digits in 16th of an inch
*	not required for closed style caps

A S 9 6 2 1 5



6000 Series Adapter Mount Auxiliary Cap Dimensions

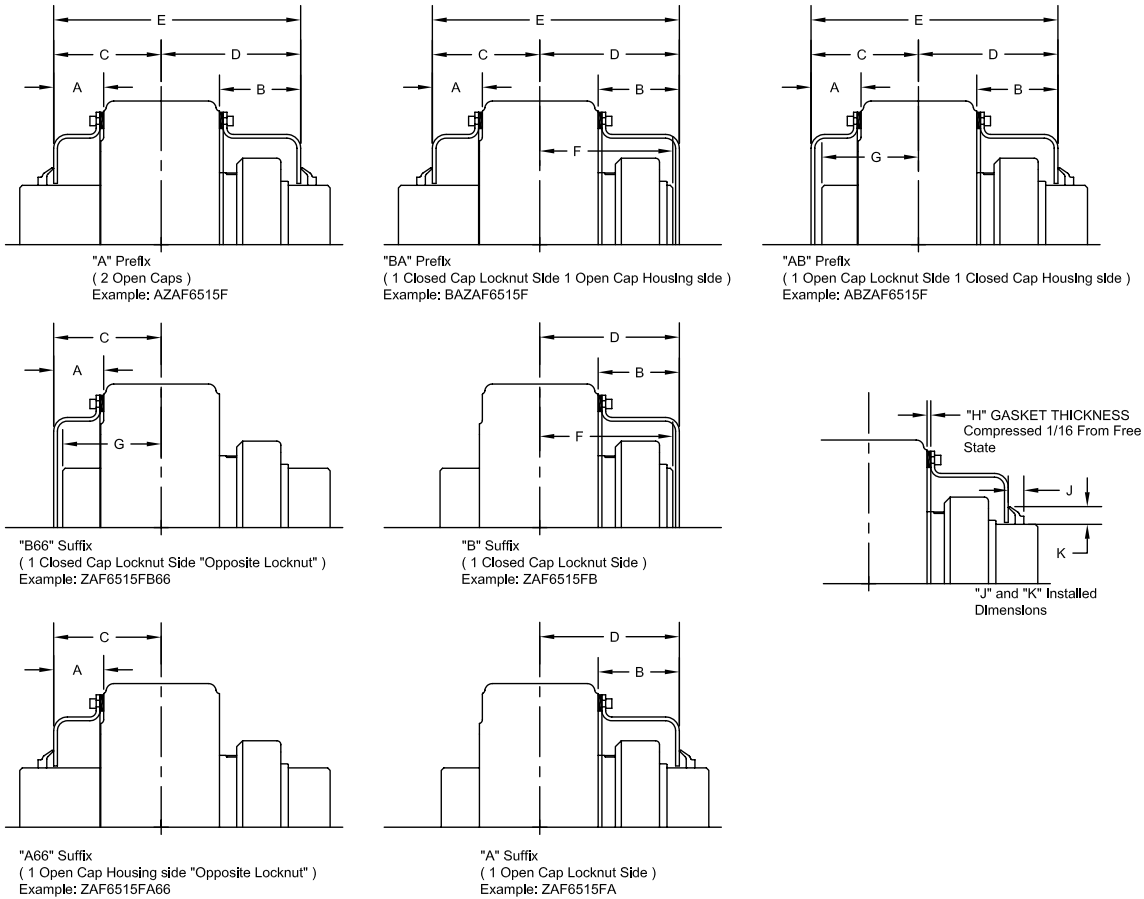
Cast Iron Auxiliary Caps**																
Bearing Number	Size Code	Fixed Bearings Only				Floating (Expansion) ZAFS Bearings Only				Floating (Expansion) ZPS, ZFS Bearings Only				V-Ring Seal		Gasket
		A	B	C	D	A	B	C	D	A	B	C	D	E	F	
6115	6	5 7/8	2 9/16	2 15/16	1 23/32	6 1/4	2 11/16	3 1/8	1 29/32	6 1/2	2 13/16	3 1/4	1 29/32	3/8	3/16	3/16
6203	7	6 1/16	2 5/8	3 1/32	1 3/4	6 7/16	2 25/32	3 7/32	1 15/16	6 5/8	2 7/8	3 5/16	1 15/16			
6206	8	6 11/16	3 1/32	3 11/32	2 1/32	7 3/16	3 5/32	3 19/32	2 9/32	7 7/16	3 9/32	3 23/32	2 9/32			
6207																
6211	9	7 1/4	3 1/16	3 5/8	2 1/16	7 3/4	3 7/16	3 7/8	2 5/16	8	3 9/16	4	2 5/16	7/16	1/4	
6212																
6215																
6303	10	7 15/16	3 17/32	3 31/32	2 1/4	8 7/16	3 25/32	4 7/32	2 1/2	8 11/16	3 29/32	4 11/32	2 1/2			
6307																
6311																
6315	11	9	3 15/16	4 1/2	2 7/16	9 1/2	4 3/16	4 3/4	2 11/16	9 3/4	4 5/16	4 7/8	2 11/16			
6403Y	12	9 7/16	4 5/32	4 23/32	2 19/32	10 3/16	4 21/32	5 3/32	2 31/32	10 7/16	4 31/32	5 7/32	2 31/32	9/16	5/16	
6407Y																
6415																

**Standard cast iron auxiliary caps are not available on P2BRN pillow blocks.

Adapter Auxiliary End Cap Dimensions for 6000 Series Size Codes 14-16

Kit Nomenclature

Symbol	Description	A	S	LN	14	6	507
A	open cap	-----	-----	-----	-----	-----	-----
B	closed cap						
S	floating type or ZLF, ZLFS	-----	-----	-----	-----	-----	-----
*	leave blank for fixed type						
LN	for locknut side	-----	-----	-----	-----	-----	-----
*	leave blank for non-locknut side						
14-16	bearing size code from dimension page	-----	-----	-----	-----	-----	-----
6	type "A" open caps						
6000	type "B" closed caps	-----	-----	-----	-----	-----	-----
507	5-7/16" last two digits in 16th of an inch						
*	not required for closed style caps	-----	-----	-----	-----	-----	-----
LN kits provided with extended cap to provide clearance over adapter assembly.							



6000 Series Adapter Mount Auxiliary Cap Dimensions (Size codes 14-16)

		Steel Auxiliary Caps																	
Bearing Number	Size Code	Fixed Bearings Only (No ZLF)									Floating (Expansion) ZPS, ZAFS Bearings Only							V-Ring Seal	
		A	B	C	D	E	F	G	*H	A	B	C	D	E	F	G	**H	J	K
6507	14	2 5/32	3 11/16	4 29/32	6 1/2	11 13/32	6 1/8	4 3/16	3/16	2 11/16	3 31/32	5 19/32	6 7/8	12 15/32	4 1/2	6 1/8	3/8	5/8	3/4
6515	15	2 1/2	4 1/16	5 3/8	6 63/64	12 23/64	6 5/8	4 11/16	3/16	2 9/16	4 3/8	5 9/16	7 3/8	12 15/16	6 5/8	4 3/8	3/8	45/64	7/8
6607	16	2 3/8	4 5/16	5 7/16	7 13/32	12 27/32	7	4 3/4	3/16	2 11/16	4 5/8	5 7/8	7 13/16	13 11/16	7	4 3/4	3/8	45/64	7/8
6608																			
6615																			
Bearing Number	Size Code	ZLF-ZLFS Split Housed Bearings Only									V-Ring Seal		*H-compressed thickness. Free state is 1/4"						
		A	B	C	D	E	F	G	*H	J	K	**H-compressed thickness. Free state 1/4. 2 gaskets required							
6507	14	2 1/2	3 25/32	5 7/8	7 5/32	13 1/32	6	5 3/16	3/16	5/8	3/4	Standard cast iron auxiliary caps are not available on P2BRN pillow blocks.							
6515	15	2 3/8	4 3/16	5 7/8	7 11/16	13 9/16	6 1/2	5 3/16	3/16	45/64	7/8								
6607	16	2 1/2	4 7/16	6 3/16	8 1/8	14 5/16	6 7/8	5 1/2	3/16	45/64	7/8								
6608																			
6615																			

Auxiliary Cap Kit Part Number by Housing Style ‡ (Continued)

Size Code	Series	Aux Cap Style	Housing Type														
			ZA	ZAS	ZEP	ZEPS	ZP	ZPS	ZAF	ZAFS	ZLF	ZLFS	ZB ◊	ZBS	ZF ◊		
12	2000	Open	N/A	N/A	N/A	N/A	N/A	N/A	N/A	N/A	N/A	N/A	N/A	N/A	N/A	N/A	N/A
		Closed	N/A	N/A	N/A	N/A	N/A	N/A	N/A	N/A	N/A	N/A	N/A	N/A	N/A	N/A	N/A
	3000	Open	N/A	N/A	N/A	N/A	N/A	N/A	N/A	N/A	N/A	N/A	N/A	N/A	N/A	N/A	N/A
		Closed	N/A	N/A	N/A	N/A	N/A	N/A	N/A	N/A	N/A	N/A	N/A	N/A	N/A	N/A	N/A
	5000	Open	N/A	N/A	N/A	N/A	A12***	AS12***	A12***	AS12***	N/A	N/A	N/A	N/A	N/A	A12***	
		Closed	N/A	N/A	N/A	N/A	B12	BS12	B12	BS12	N/A	N/A	N/A	N/A	N/A	B12	
	6000	Open	N/A	N/A	A126***	N/A	A126***	AS126***	A126***	AS126***	N/A	N/A	N/A	N/A	N/A	A126***	
		Closed	N/A	N/A	B126000	N/A	B126000	BS126000	B126000	BS126000	N/A	N/A	N/A	N/A	N/A	B126000	
	9000	Open	N/A	N/A	A12***	N/A	A12***	AS12***	A12***	AS12***	N/A	N/A	N/A	N/A	N/A	A12***	
		Closed	N/A	N/A	B12	N/A	B12	BS12	B12	BS12	N/A	N/A	N/A	N/A	N/A	B12	
	13	2000	Open	N/A	N/A	N/A	N/A	N/A	N/A	N/A	N/A	N/A	N/A	N/A	N/A	N/A	N/A
			Closed	N/A	N/A	N/A	N/A	N/A	N/A	N/A	N/A	N/A	N/A	N/A	N/A	N/A	N/A
3000		Open	N/A	N/A	N/A	N/A	N/A	N/A	N/A	N/A	N/A	N/A	N/A	N/A	N/A	N/A	
		Closed	N/A	N/A	N/A	N/A	N/A	N/A	N/A	N/A	N/A	N/A	N/A	N/A	N/A	N/A	
5000		Open	N/A	N/A	N/A	N/A	A13***	AS13***	A13***	AS13***	N/A	N/A	N/A	N/A	N/A	A13***	
		Closed	N/A	N/A	N/A	N/A	B13	BS13	B13	BS13	N/A	N/A	N/A	N/A	N/A	B13	
6000		Open	N/A	N/A	A136***	N/A	A136***	AS136***	A136***	AS136***	N/A	N/A	N/A	N/A	N/A	A136***	
		Closed	N/A	N/A	B136000	N/A	B136000	BS136000	B136000	BS136000	N/A	N/A	N/A	N/A	N/A	B136000	
9000		Open	N/A	N/A	A13***	N/A	A13***	AS13***	A13***	AS13***	N/A	N/A	N/A	N/A	N/A	A13***	
		Closed	N/A	N/A	B13	N/A	B13	BS13	B13	BS13	N/A	N/A	N/A	N/A	N/A	B13	
14		2000	Open	N/A	N/A	N/A	N/A	N/A	N/A	N/A	N/A	N/A	N/A	N/A	N/A	N/A	N/A
			Closed	N/A	N/A	N/A	N/A	N/A	N/A	N/A	N/A	N/A	N/A	N/A	N/A	N/A	N/A
	3000	Open	N/A	N/A	N/A	N/A	N/A	N/A	N/A	N/A	N/A	N/A	N/A	N/A	N/A	N/A	
		Closed	N/A	N/A	N/A	N/A	N/A	N/A	N/A	N/A	N/A	N/A	N/A	N/A	N/A	N/A	
	5000	Open	N/A	N/A	N/A	N/A	A14***	AS14***	A14***	AS14***	N/A	N/A	N/A	N/A	N/A	N/A	
		Closed	N/A	N/A	N/A	N/A	B14	BS14	B14	BS14	N/A	N/A	N/A	N/A	N/A	N/A	
	6000	Open Locknut Side	N/A	N/A	N/A	N/A	ALN146***	ALN146***	ALN146***	ALN146***	ASLN146***	ASLN146***	N/A	N/A	N/A	N/A	
		Open Non Locknut Side	N/A	N/A	N/A	N/A	A146***	A146***	A146***	A146***	AS146***	AS146***	N/A	N/A	N/A	N/A	
		Closed Locknut Side	N/A	N/A	N/A	N/A	BLN146000	BLN146000	BLN146000	BLN146000	BSLN146000	BSLN146000	N/A	N/A	N/A	N/A	
		Closed Non Locknut Side	N/A	N/A	N/A	N/A	B146000	BS146000	B146000	BS146000	BS146000	BS146000	N/A	N/A	N/A	N/A	
	9000	Open	N/A	N/A	N/A	N/A	A14***	AS14***	A14***	AS14***	N/A	N/A	N/A	N/A	N/A	N/A	
		Closed	N/A	N/A	N/A	N/A	B14	BS14	B14	BS14	N/A	N/A	N/A	N/A	N/A	N/A	
2000	Open	N/A	N/A	N/A	N/A	N/A	N/A	N/A	N/A	N/A	N/A	N/A	N/A	N/A	N/A		
	Closed	N/A	N/A	N/A	N/A	N/A	N/A	N/A	N/A	N/A	N/A	N/A	N/A	N/A	N/A		
3000	Open	N/A	N/A	N/A	N/A	N/A	N/A	N/A	N/A	N/A	N/A	N/A	N/A	N/A	N/A		
	Closed	N/A	N/A	N/A	N/A	N/A	N/A	N/A	N/A	N/A	N/A	N/A	N/A	N/A	N/A		
5000	Open	N/A	N/A	N/A	N/A	A15***	AS15***	A15***	AS15***	N/A	N/A	N/A	N/A	N/A	N/A		
	Closed	N/A	N/A	N/A	N/A	B15	BS15	B15	BS15	N/A	N/A	N/A	N/A	N/A	N/A		
15	6000	Open Locknut Side	N/A	N/A	N/A	N/A	ALN156***	ALN156***	ALN156***	ALN156***	ASLN156***	ASLN156***	N/A	N/A	N/A	N/A	
		Open Non Locknut Side	N/A	N/A	N/A	N/A	A156***	A156***	A156***	A156***	AS156***	AS156***	N/A	N/A	N/A	N/A	
		Closed Locknut Side	N/A	N/A	N/A	N/A	BLN156000	BLN156000	BLN156000	BLN156000	BSLN156000	BSLN156000	N/A	N/A	N/A	N/A	
		Closed Non Locknut Side	N/A	N/A	N/A	N/A	B156000	BS156000	B156000	BS156000	BS156000	BS156000	N/A	N/A	N/A	N/A	
9000	Open	N/A	N/A	N/A	N/A	A15***	AS15***	A15***	AS15***	N/A	N/A	N/A	N/A	N/A	N/A		
	Closed	N/A	N/A	N/A	N/A	B15	BS15	B15	BS15	N/A	N/A	N/A	N/A	N/A	N/A		
2000	Open	N/A	N/A	N/A	N/A	N/A	N/A	N/A	N/A	N/A	N/A	N/A	N/A	N/A	N/A		
	Closed	N/A	N/A	N/A	N/A	N/A	N/A	N/A	N/A	N/A	N/A	N/A	N/A	N/A	N/A		
3000	Open	N/A	N/A	N/A	N/A	N/A	N/A	N/A	N/A	N/A	N/A	N/A	N/A	N/A	N/A		
	Closed	N/A	N/A	N/A	N/A	N/A	N/A	N/A	N/A	N/A	N/A	N/A	N/A	N/A	N/A		
5000	Open	N/A	N/A	N/A	N/A	A16***	AS16***	A16***	AS16***	N/A	N/A	N/A	N/A	N/A	N/A		
	Closed	N/A	N/A	N/A	N/A	B16	BS16	B16	BS16	N/A	N/A	N/A	N/A	N/A	N/A		
16	6000	Open Locknut Side	N/A	N/A	N/A	N/A	ALN166***	ALN166***	ALN166***	ALN166***	ASLN166***	ASLN166***	N/A	N/A	N/A	N/A	
		Open Non Locknut Side	N/A	N/A	N/A	N/A	A166***	A166***	A166***	A166***	AS166***	AS166***	N/A	N/A	N/A	N/A	
		Closed Locknut Side	N/A	N/A	N/A	N/A	BLN166000	BLN166000	BLN166000	BLN166000	BSLN166000	BSLN166000	N/A	N/A	N/A	N/A	
		Closed Non Locknut Side	N/A	N/A	N/A	N/A	B166000	BS166000	B166000	BS166000	BS166000	BS166000	N/A	N/A	N/A	N/A	
9000	Open	N/A	N/A	N/A	N/A	A16***	AS16***	A16***	AS16***	N/A	N/A	N/A	N/A	N/A	N/A		
	Closed	N/A	N/A	N/A	N/A	B16	BS16	B16	BS16	N/A	N/A	N/A	N/A	N/A	N/A		

‡ Housings are not drilled to accept auxiliary caps as standard.

*** Indicates shaft size in inches, i.e. the open cap for a ZA2107 would be A4107

◊ See specific product page for applicability.

Auxiliary Cap Kit Part Number by Housing Style ‡ (Continued)

Size Code	Series	Aux Cap Style	HousingType													
			ZFS ◊	ZEF	ZBR	ZCS	ZMC	ZT	ZN	ZHT	ZST	ZAT ◊	ZFT	ZGT	ZNT	
2	2000	Open	N/A	N/A	N/A	N/A	N/A	N/A	N/A	N/A	N/A	N/A	N/A	N/A	N/A	
		Closed	N/A	N/A	N/A	N/A	N/A	N/A	N/A	N/A	N/A	N/A	N/A	N/A	N/A	
3	2000	Open	N/A	N/A	N/A	N/A	N/A	N/A	N/A	N/A	N/A	N/A	N/A	N/A	N/A	
		Closed	N/A	N/A	N/A	N/A	N/A	N/A	N/A	N/A	N/A	N/A	N/A	N/A	N/A	
4	2000	Open	AS4***	A4***	A4***	N/A	N/A	A4***	N/A	N/A	N/A	N/A	A4***	A4***	N/A	
		Closed	BS4	B4	B4	N/A	N/A	B4	N/A	N/A	N/A	B4	B4	N/A	N/A	
	3000	Open	AS4***	A4***	A4***	N/A	N/A	A4***	N/A	N/A	N/A	N/A	A4***	A4***	N/A	
		Closed	BS4	B4	B4	N/A	N/A	B4	N/A	N/A	N/A	N/A	B4	B4	N/A	
	5000	Open	AS4***	A4***	A4***	N/A	N/A	A4***	N/A	N/A	N/A	N/A	A4***	A4***	N/A	
		Closed	BS4	B4	B4	N/A	N/A	B4	N/A	N/A	N/A	N/A	B4	B4	N/A	
	6000	Open	N/A	N/A	N/A	N/A	N/A	N/A	N/A	N/A	N/A	N/A	N/A	N/A	N/A	
		Closed	N/A	N/A	N/A	N/A	N/A	N/A	N/A	N/A	N/A	N/A	N/A	N/A	N/A	
	5	2000	Open	AS5***	A5***	A5***	N/A	N/A	A5***	N/A	A5***	A5***	A5***	A5***	A5***	N/A
			Closed	BS5	B5	B5	N/A	N/A	B5	N/A	B5	B5	B5	B5	N/A	N/A
		3000	Open	AS5***	A5***	A5***	N/A	N/A	A5***	N/A	A5***	A5***	A5***	A5***	A5***	N/A
			Closed	BS5	B5	B5	N/A	N/A	B5	N/A	B5	B5	B5	B5	N/A	N/A
5000		Open	AS5***	A5***	A5***	N/A	N/A	A5***	N/A	A5***	A5***	A5***	A5***	A5***	N/A	
		Closed	BS5	B5	B5	N/A	N/A	B5	N/A	B5	B5	B5	B5	N/A	N/A	
6000	Open	N/A	N/A	N/A	N/A	N/A	N/A	N/A	N/A	N/A	N/A	N/A	N/A	N/A		
	Closed	N/A	N/A	N/A	N/A	N/A	N/A	N/A	N/A	N/A	N/A	N/A	N/A	N/A		
6	2000	Open	AS6***	A6***	A6***	N/A	N/A	A6***	A6***	A6***	A6***	A6***	A6***	A6***	A6***	
		Closed	BS6	B6	B6	N/A	N/A	B6	B6	B6	B6	B6	B6	B6	B6	
	3000	Open	AS6***	A6***	A6***	N/A	N/A	A6***	A6***	A6***	A6***	A6***	A6***	A6***	A6***	
		Closed	BS6	B6	B6	N/A	N/A	B6	B6	B6	B6	B6	B6	B6	B6	
	5000	Open	AS6***	A6***	A6***	N/A	N/A	A6***	A6***	A6***	A6***	A6***	A6***	A6***	A6***	
		Closed	BS6	B6	B6	N/A	N/A	B6	B6	B6	B6	B6	B6	B6	B6	
6000	Open	AS66***	A66***	A66***	N/A	N/A	A66***	A66***	A66***	A66***	A66***	A66***	A66***	A66***		
	Closed	BS66000	B66000	B66000	N/A	N/A	B66000	B66000	B66000	B66000	B66000	B66000	B66000	B66000		
7	2000	Open	AS7***	A7***	A7***	N/A	N/A	A7***	A7***	A7***	A7***	A7***	A7***	N/A	A7***	
		Closed	BS7	B7	B7	N/A	N/A	B7	B7	B7	B7	B7	B7	N/A	B7	
	3000	Open	AS7***	A7***	A7***	N/A	N/A	A7***	A7***	A7***	A7***	A7***	A7***	N/A	A7***	
		Closed	BS7	B7	B7	N/A	N/A	B7	B7	B7	B7	B7	B7	N/A	B7	
	5000	Open	AS7***	A7***	A7***	N/A	N/A	A7***	A7***	A7***	A7***	A7***	A7***	N/A	A7***	
		Closed	BS7	B7	B7	N/A	N/A	B7	B7	B7	B7	B7	B7	N/A	B7	
6000	Open	AS76***	A76***	A76***	N/A	N/A	A76***	A76***	A76***	A76***	A76***	A76***	N/A	A76***		
	Closed	BS76000	B76000	B76000	N/A	N/A	B76000	B76000	B76000	B76000	B76000	B76000	N/A	B76000		
8	2000	Open	AS8***	A8***	A8***	N/A	N/A	A8***	A8***	A8***	A8***	A8***	A8***	A8***	A8***	
		Closed	BS8	B8	B8	N/A	N/A	B8	B8	B8	B8	B8	B8	B8	B8	
	3000	Open	AS8***	A8***	A8***	N/A	N/A	A8***	A8***	A8***	A8***	A8***	A8***	A8***	A8***	
		Closed	BS8	B8	B8	N/A	N/A	B8	B8	B8	B8	B8	B8	B8	B8	
	5000	Open	AS8***	A8***	A8***	N/A	N/A	A8***	A8***	A8***	A8***	A8***	A8***	A8***	A8***	
		Closed	BS8	B8	B8	N/A	N/A	B8	B8	B8	B8	B8	B8	B8	B8	
6000	Open	AS86***	A86***	A86***	N/A	N/A	A86***	A86***	A86***	A86***	A86***	A86***	A86***	A86***		
	Closed	BS86000	B86000	B86000	N/A	N/A	B86000	B86000	B86000	B86000	B86000	B86000	B86000	B86000		
9	2000	Open	AS9***	A9***	A9***	N/A	N/A	A9***	A9***	A9***	A9***	A9***	A9***	A9***	A9***	
		Closed	BS9	B9	B9	N/A	N/A	B9	B9	B9	B9	B9	B9	B9	B9	
	3000	Open	AS9***	A9***	A9***	N/A	N/A	A9***	A9***	A9***	A9***	A9***	A9***	A9***	A9***	
		Closed	BS9	B9	B9	N/A	N/A	B9	B9	B9	B9	B9	B9	B9	B9	
	5000	Open	AS9***	A9***	A9***	N/A	N/A	A9***	A9***	A9***	A9***	A9***	A9***	A9***	A9***	
		Closed	BS9	B9	B9	N/A	N/A	B9	B9	B9	B9	B9	B9	B9	B9	
6000	Open	AS96***	A96***	A96***	N/A	N/A	A96***	A96***	A96***	A96***	A96***	A96***	A96***	A96***		
	Closed	BS96000	B96000	B96000	N/A	N/A	B96000	B96000	B96000	B96000	B96000	B96000	B96000	B96000		
10	2000	Open	AS10***	A10***	A10***	N/A	N/A	A10***	A10***	A10***	A10***	N/A	N/A	A10***	A10***	
		Closed	BS10	B10	B10	N/A	N/A	B10	B10	B10	B10	N/A	N/A	B10	B10	
	3000	Open	AS10***	A10***	A10***	N/A	N/A	A10***	A10***	A10***	A10***	N/A	N/A	A10***	A10***	
		Closed	BS10	B10	B10	N/A	N/A	B10	B10	B10	B10	N/A	N/A	B10	B10	
	5000	Open	AS10***	A10***	A10***	N/A	N/A	A10***	A10***	A10***	A10***	N/A	N/A	A10***	A10***	
		Closed	BS10	B10	B10	N/A	N/A	B10	B10	B10	B10	N/A	N/A	B10	B10	
6000	Open	AS106***	A106***	A106***	N/A	N/A	A106***	A106***	A106***	A106***	N/A	N/A	A106***	A106***		
	Closed	BS106000	B106000	B106000	N/A	N/A	B106000	B106000	B106000	B106000	N/A	N/A	B106000	B106000		
11	2000	Open	AS11***	A11***	A11***	N/A	N/A	A11***	A11***	A11***	A11***	N/A	N/A	A11***	A11***	
		Closed	BS11	B11	B11	N/A	N/A	B11	B11	B11	B11	N/A	N/A	B11	B11	
	3000	Open	AS11***	A11***	A11***	N/A	N/A	A11***	A11***	A11***	A11***	N/A	N/A	A11***	A11***	
		Closed	BS11	B11	B11	N/A	N/A	B11	B11	B11	B11	N/A	N/A	B11	B11	
	5000	Open	AS11***	A11***	A11***	N/A	N/A	A11***	A11***	A11***	A11***	N/A	N/A	A11***	A11***	
		Closed	BS11	B11	B11	N/A	N/A	B11	B11	B11	B11	N/A	N/A	B11	B11	
6000	Open	AS116***	A116***	A116***	N/A	N/A	A116***	A116***	A116***	A116***	N/A	N/A	A116***	A116***		
	Closed	BS116000	B116000	B116000	N/A	N/A	B116000	B116000	B116000	B116000	N/A	N/A	B116000	B116000		
9000	Open	AS11***	A11***	A11***	N/A	N/A	A11***	A11***	A11***	A11***	N/A	N/A	A11***	A11***		
	Closed	BS11	B11	B11	N/A	N/A	B11	B11	B11	B11	N/A	N/A	B11	B11		

Auxiliary Cap Kit Part Number by Housing Style ‡ (Continued)

Size Code	Series	Aux Cap Style	HousingType															
			ZFS ◊	ZEF	ZBR	ZCS	ZMC	ZT	ZN	ZHT	ZST	ZAT ◊	ZFT	ZGT	ZNT			
12	2000	Open	N/A	N/A	N/A	N/A	N/A	N/A	N/A	N/A	N/A	N/A	N/A	N/A	N/A	N/A	N/A	
		Closed	N/A	N/A	N/A	N/A	N/A	N/A	N/A	N/A	N/A	N/A	N/A	N/A	N/A	N/A	N/A	
	3000	Open	N/A	N/A	N/A	N/A	N/A	N/A	N/A	N/A	N/A	N/A	N/A	N/A	N/A	N/A	N/A	
		Closed	N/A	N/A	N/A	N/A	N/A	N/A	N/A	N/A	N/A	N/A	N/A	N/A	N/A	N/A	N/A	
	5000	Open	N/A	N/A	A12***	N/A	N/A	A12***	N/A	A12***	N/A	A12***	N/A	N/A	A12***	N/A	N/A	
		Closed	N/A	N/A	B12	N/A	N/A	B12	N/A	B12	N/A	B12	N/A	N/A	B12	N/A	N/A	
	6000	Open	N/A	N/A	A126***	N/A	N/A	A126***	N/A	A126***	N/A	A126***	N/A	N/A	A126***	N/A	N/A	
		Closed	N/A	N/A	B126000	N/A	N/A	B126000	N/A	B126000	N/A	B126000	N/A	N/A	B126000	N/A	N/A	
	9000	Open	N/A	N/A	A12***	N/A	N/A	A12***	N/A	A12***	N/A	A12***	N/A	N/A	A12***	N/A	N/A	
		Closed	N/A	N/A	B12	N/A	N/A	B12	N/A	B12	N/A	B12	N/A	N/A	B12	N/A	N/A	
	13	2000	Open	N/A	N/A	N/A	N/A	N/A	N/A	N/A	N/A	N/A	N/A	N/A	N/A	N/A	N/A	N/A
			Closed	N/A	N/A	N/A	N/A	N/A	N/A	N/A	N/A	N/A	N/A	N/A	N/A	N/A	N/A	N/A
3000		Open	N/A	N/A	N/A	N/A	N/A	N/A	N/A	N/A	N/A	N/A	N/A	N/A	N/A	N/A	N/A	
		Closed	N/A	N/A	N/A	N/A	N/A	N/A	N/A	N/A	N/A	N/A	N/A	N/A	N/A	N/A	N/A	
5000		Open	AS13***	N/A	A13***	N/A	N/A	A13***	N/A	A13***	N/A	A13***	N/A	N/A	A13***	N/A	N/A	
		Closed	BS13	N/A	B13	N/A	N/A	B13	N/A	B13	N/A	B13	N/A	N/A	B13	N/A	N/A	
6000		Open	AS136***	N/A	A136***	N/A	N/A	A136***	N/A	A136***	N/A	A136***	N/A	N/A	A136***	N/A	N/A	
		Closed	BS136000	N/A	B136000	N/A	N/A	B136000	N/A	B136000	N/A	B136000	N/A	N/A	B136000	N/A	N/A	
9000		Open	AS13***	N/A	A13***	N/A	N/A	A13***	N/A	A13***	N/A	A13***	N/A	N/A	A13***	N/A	N/A	
		Closed	BS13	N/A	B13	N/A	N/A	B13	N/A	B13	N/A	B13	N/A	N/A	B13	N/A	N/A	
14		2000	Open	N/A	N/A	N/A	N/A	N/A	N/A	N/A	N/A	N/A	N/A	N/A	N/A	N/A	N/A	N/A
			Closed	N/A	N/A	N/A	N/A	N/A	N/A	N/A	N/A	N/A	N/A	N/A	N/A	N/A	N/A	N/A
	3000	Open	N/A	N/A	N/A	N/A	N/A	N/A	N/A	N/A	N/A	N/A	N/A	N/A	N/A	N/A	N/A	
		Closed	N/A	N/A	N/A	N/A	N/A	N/A	N/A	N/A	N/A	N/A	N/A	N/A	N/A	N/A	N/A	
	5000	Open	N/A	N/A	A14***	N/A	N/A	A14***	N/A	A14***	N/A	A14***	N/A	N/A	A14***	N/A	N/A	
		Closed	N/A	N/A	B14	N/A	N/A	B14	N/A	B14	N/A	B14	N/A	N/A	B14	N/A	N/A	
	6000	Open Locknut Side	N/A	N/A	ALN146***	N/A	N/A	ALN146***	N/A	ALN146***	N/A	N/A	N/A	N/A	ALN146***	N/A	N/A	
		Open Non Locknut Side	N/A	N/A	A146***	N/A	N/A	A146***	N/A	A146***	N/A	N/A	N/A	N/A	A146***	N/A	N/A	
		Closed Locknut Side	N/A	N/A	BLN146000	N/A	N/A	BLN146000	N/A	BLN146000	N/A	N/A	N/A	N/A	BLN146000	N/A	N/A	
		Closed Non Locknut Side	N/A	N/A	B146000	N/A	N/A	B146000	N/A	B146000	N/A	N/A	N/A	N/A	B146000	N/A	N/A	
	9000	Open	N/A	N/A	A14***	N/A	N/A	A14***	N/A	A14***	N/A	N/A	N/A	N/A	A14***	N/A	N/A	
		Closed	N/A	N/A	B14	N/A	N/A	B14	N/A	B14	N/A	N/A	N/A	N/A	B14	N/A	N/A	
2000	Open	N/A	N/A	N/A	N/A	N/A	N/A	N/A	N/A	N/A	N/A	N/A	N/A	N/A	N/A	N/A	N/A	
	Closed	N/A	N/A	N/A	N/A	N/A	N/A	N/A	N/A	N/A	N/A	N/A	N/A	N/A	N/A	N/A	N/A	
3000	Open	N/A	N/A	N/A	N/A	N/A	N/A	N/A	N/A	N/A	N/A	N/A	N/A	N/A	N/A	N/A	N/A	
	Closed	N/A	N/A	N/A	N/A	N/A	N/A	N/A	N/A	N/A	N/A	N/A	N/A	N/A	N/A	N/A	N/A	
5000	Open	N/A	N/A	A15***	N/A	N/A	A15***	N/A	A15***	N/A	A15***	N/A	N/A	A15***	N/A	N/A	N/A	
	Closed	N/A	N/A	B15	N/A	N/A	B15	N/A	B15	N/A	B15	N/A	N/A	B15	N/A	N/A	N/A	
15	6000	Open Locknut Side	N/A	N/A	ALN156***	N/A	N/A	ALN156***	N/A	ALN156***	N/A	N/A	N/A	N/A	ALN156***	N/A	N/A	
		Open Non Locknut Side	N/A	N/A	A156***	N/A	N/A	A156***	N/A	A156***	N/A	N/A	N/A	N/A	A156***	N/A	N/A	
		Closed Locknut Side	N/A	N/A	BLN156000	N/A	N/A	BLN156000	N/A	BLN156000	N/A	N/A	N/A	N/A	BLN156000	N/A	N/A	
		Closed Non Locknut Side	N/A	N/A	B156000	N/A	N/A	B156000	N/A	B156000	N/A	N/A	N/A	N/A	B156000	N/A	N/A	
9000	Open	N/A	N/A	A15***	N/A	N/A	A15***	N/A	A15***	N/A	N/A	N/A	N/A	A15***	N/A	N/A	N/A	
	Closed	N/A	N/A	B15	N/A	N/A	B15	N/A	B15	N/A	N/A	N/A	N/A	B15	N/A	N/A	N/A	
2000	Open	N/A	N/A	N/A	N/A	N/A	N/A	N/A	N/A	N/A	N/A	N/A	N/A	N/A	N/A	N/A	N/A	
	Closed	N/A	N/A	N/A	N/A	N/A	N/A	N/A	N/A	N/A	N/A	N/A	N/A	N/A	N/A	N/A	N/A	
3000	Open	N/A	N/A	N/A	N/A	N/A	N/A	N/A	N/A	N/A	N/A	N/A	N/A	N/A	N/A	N/A	N/A	
	Closed	N/A	N/A	N/A	N/A	N/A	N/A	N/A	N/A	N/A	N/A	N/A	N/A	N/A	N/A	N/A	N/A	
5000	Open	N/A	N/A	A16***	N/A	N/A	A16***	N/A	A16***	N/A	A16***	N/A	N/A	A16***	N/A	N/A	N/A	
	Closed	N/A	N/A	B16	N/A	N/A	B16	N/A	B16	N/A	B16	N/A	N/A	B16	N/A	N/A	N/A	
16	6000	Open Locknut Side	N/A	N/A	ALN166***	N/A	N/A	ALN166***	N/A	ALN166***	N/A	N/A	N/A	N/A	ALN166***	N/A	N/A	
		Open Non Locknut Side	N/A	N/A	A166***	N/A	N/A	A166***	N/A	A166***	N/A	N/A	N/A	N/A	A166***	N/A	N/A	
		Closed Locknut Side	N/A	N/A	BLN166000	N/A	N/A	BLN166000	N/A	BLN166000	N/A	N/A	N/A	N/A	BLN166000	N/A	N/A	
		Closed Non Locknut Side	N/A	N/A	B166000	N/A	N/A	B166000	N/A	B166000	N/A	N/A	N/A	N/A	B166000	N/A	N/A	
9000	Open	N/A	N/A	A16***	N/A	N/A	A16***	N/A	A16***	N/A	N/A	N/A	N/A	A16***	N/A	N/A	N/A	
	Closed	N/A	N/A	B16	N/A	N/A	B16	N/A	B16	N/A	B16	N/A	N/A	B16	N/A	N/A	N/A	

‡ Housings are not drilled to accept auxiliary caps as standard.

*** Indicates shaft size in inches, i.e. the open cap for a ZA2107 would be A4107

◊ See specific product page for applicability.

ZAF5000, ZAFS5000

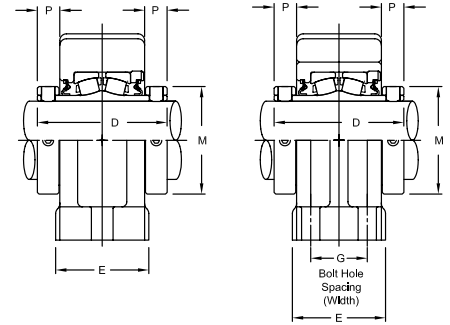
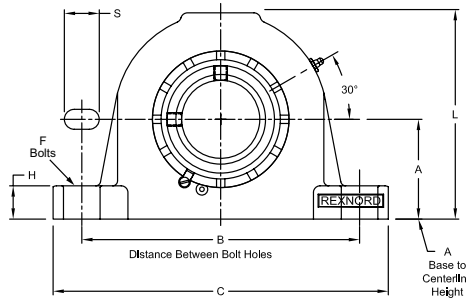
Interchange: TAF, USRB5500, (E)RPBXT



Photo Shows a 2-Bolt Spherical Roller Bearing Pillow Block Unit

Product Features

- SAF Interchange
- Precision milled ends
- Corrosion-resistant powder coating
- Cast iron housing
- Misalignment capabilities - total of 4°
- Broad range of sealing options
- Factory set clearance & lubrication
- Precision ground & superfinished raceways
- See Features and Benefits for additional info on pages 10 - 13.



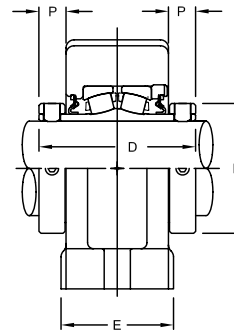
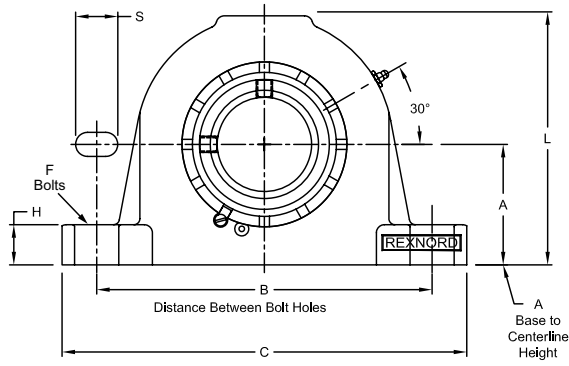
Fixed

Floating

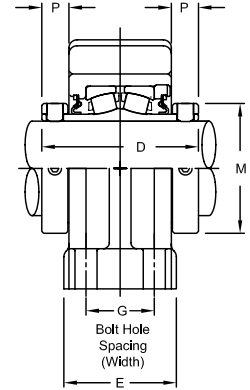
Bearing Dimensions

Size Code	Shaft Diameter	Expansion				Fixed				A Base to Centerline Height	B Distance Between Bolt Holes		G Bolt Hole Spacing (Width)	C	D	E	F Bolts	H	M	S	
		Part Number	L	P	Approx. Weight	Part Number	L	P	Approx. Weight		Min.	Max.									
Two-Bolt Pillow Block																					
6	1 15/16	ZAFS5115	5 5/16	11/16	20.00	ZAF5115	5 5/16	11/16	16.50	2 3/4	7 3/8	7 7/8	-	9.625	3 13/16	2 3/4	5/8	1	2 7/8	15/16	
	50.00	ZAFS5050MM	134.94	17.46	9.00	ZAF5050MM	134.94	17.46	7.50	69.85	187.33	200.03	-	244.480	96.84	69.85	16.00	25.40	73.03	23.81	
7	2 3/16	ZAFS5203	5 31/32	13/16	25.50	ZAF5203	5 31/32	13/16	21.00	3	8 1/8	9 1/2	-	11.000	4 1/8	3 1/8	5/8	1	3 1/4	1 3/8	
	55.00	ZAFS5055MM	151.61	20.64	11.50	ZAF5055MM	151.61	20.64	9.50	76.20	206.38	241.30	-	279.400	104.78	79.38	16.00	25.40	82.60	34.93	
8	2 7/16	ZAFS5207	6 25/32	7/8	32.50	ZAF5207	6 25/32	7/8	32.50	3 1/4	8 5/8	9 5/8	-	11.125	4 3/8	3 1/8	5/8	1 1/4	3 9/16	1 3/16	
	60.00	ZAFS5060MM	172.24	22.23	14.70	ZAF5060MM	172.24	22.23	14.70	82.55	219.08	244.48	-	282.580	111.13	79.38	16.00	31.75	90.50	30.16	
	65.00	ZAFS5065MM	172.24	22.23	14.70	ZAF5065MM	172.24	22.23	14.70	82.55	219.08	244.48	-	282.580	111.13	79.38	16.00	31.75	90.50	30.16	
9	2 11/16	ZAFS5211	7 1/2	7/8	45.50	ZAF5211	7 1/2	7/8	45.50	3 1/2	9 7/8	11	-	12.590	4 7/8	3 1/2	3/4	1	4 1/16	1 3/8	
	2 3/4	ZAF5212				45.50															3 3/4
	2 15/16	ZAFS5215	7 3/4	45.00	ZAF5215	7 3/4	45.00	3 3/4	-	-	-	-	-	319.790	123.83	88.90	19.00	25.40	103.20	34.93	
	70.00	ZAFS5070MM	190.50	20.60	ZAF5070MM	190.50	20.60	88.90	250.83	279.40	-	-	-	319.790	123.83	88.90	19.00	25.40	103.20	34.93	
10	3 3/16	ZAFS5303	8 1/4	15/16	60.00	ZAF5303	8 1/4	15/16	53.00	4	10 3/8	11 5/8	-	13.750	5 5/16	3 7/8	3/4	1 5/8	4 29/32	1 7/16	
	3 7/16	ZAFS5307	9 9/32			76.50	ZAF5307														9 9/32
	80.00	ZAFS5080MM	209.55	27.00	ZAF5080MM	209.55	24.00	101.60	263.53	295.28	-	-	-	349.250	134.94	98.43	19.00	41.28	124.62	36.51	
	85.00	ZAFS5085MM	209.55	34.70	ZAF5085MM	209.55	34.70	114.30	295.28	333.38	-	-	-	390.530	134.94	110.31	22.00	42.06	124.62	42.86	
	90.00	ZAFS5090MM	235.74	34.40	ZAF5090MM	235.74	34.40	114.30	295.28	333.38	-	-	-	390.530	134.94	110.31	22.00	42.06	124.62	42.86	
Four-Bolt Pillow Block																					
8	2 7/16	ZAFS5207F	6 25/32	7/8	31.50	ZAF5207F	6 25/32	7/8	31.00	3 1/4	8 5/8	9 5/8	1 7/8	11.125	4 3/8	3 1/8	1/2	1 1/4	3 9/16	1 1/16	
	60.00	ZAFS5060MMF	172.24	22.23	14.00	ZAF5060MMF	172.24	22.23	14.00	82.55	219.08	244.48	47.63	282.580	111.13	79.38	13.00	31.75	90.50	26.99	
	65.00	ZAFS5065MMF	172.24	22.23	14.00	ZAF5065MMF	172.24	22.23	14.00	82.55	219.08	244.48	47.63	282.580	111.13	79.38	13.00	31.75	90.50	26.99	
9	2 11/16	ZAFS5211F	7 1/2	7/8	45.50	ZAF5211F	7 1/2	7/8	45.00	3 1/2	9 7/8	11	2 1/8	12.590	4 7/8	3 1/2	5/8	1	4 1/16	1 1/4	
	2 3/4	ZAF5212F				44.50															3 3/4
	2 15/16	ZAFS5215F	7 3/4	44.50	ZAF5215F	7 3/4	44.50	3 3/4	-	-	-	-	-	319.790	123.83	88.90	16.00	25.40	103.20	31.75	
	70.00	ZAFS5070MMF	190.50	20.60	ZAF5070MMF	190.50	20.40	88.90	250.83	279.40	53.98	319.790	123.83	88.90	16.00	25.40	103.20	31.75			
10	3 3/16	ZAFS5303F	8 1/4	15/16	60.00	ZAF5303F	8 1/4	15/16	53.00	4	10 3/8	11 5/8	2 1/8	13.750	5 5/16	3 7/8	5/8	1 5/8	4 29/32	1 5/16	
	3 7/16	ZAFS5307F	9 9/32			75.50	ZAF5307F														9 9/32
	80.00	ZAFS5080MMF	209.55	27.00	ZAF5080MMF	209.55	24.00	101.60	263.53	295.28	53.98	349.250	134.94	98.43	16.00	41.28	33.34				
	85.00	ZAFS5085MMF	209.55	34.00	ZAF5085MMF	209.55	34.00	114.30	295.28	333.38	60.33	390.530	134.94	110.31	19.00	42.06	124.62	39.69			
	90.00	ZAFS5090MMF	235.74	33.60	ZAF5090MMF	235.74	33.60	114.30	295.28	333.38	60.33	390.530	134.94	110.31	19.00	42.06	124.62	39.69			
11	3 15/16	ZAFS5315F	10 5/16	1 1/32	104.00	ZAF5315F	10 5/16	1 1/32	102.00	4 15/16	12 19/32	14 1/2	2 3/4	16.500	6 1/8	4 3/4	3/4	1 25/32	5 5/8	1 53/64	
	100.00	ZAFS5100MMF	261.94	26.19	47.00	ZAF5100MMF	261.94	26.19	46.00	125.41	319.86	368.30	69.85	419.100	155.58	120.65	19.00	45.24	142.90	46.43	
12	4 7/16	ZAFS5407YF	11 7/8	1 1/16	144.00	ZAF5407YF	11 7/8	1 1/16	143.00	6	14 1/2	16	3 1/4	18.375	6 1/4	5 1/8	7/8	2 1/16	6 3/16	1 3/4	
	110.00	ZAFS5110MMF	301.63	26.99	65.00	ZAF5110MMF	301.63	26.99	64.80	152.40	368.30	406.40	82.55	466.730	158.75	130.18	22.00	52.39	157.16	44.45	

Continued...



Fixed



Floating

Continued...

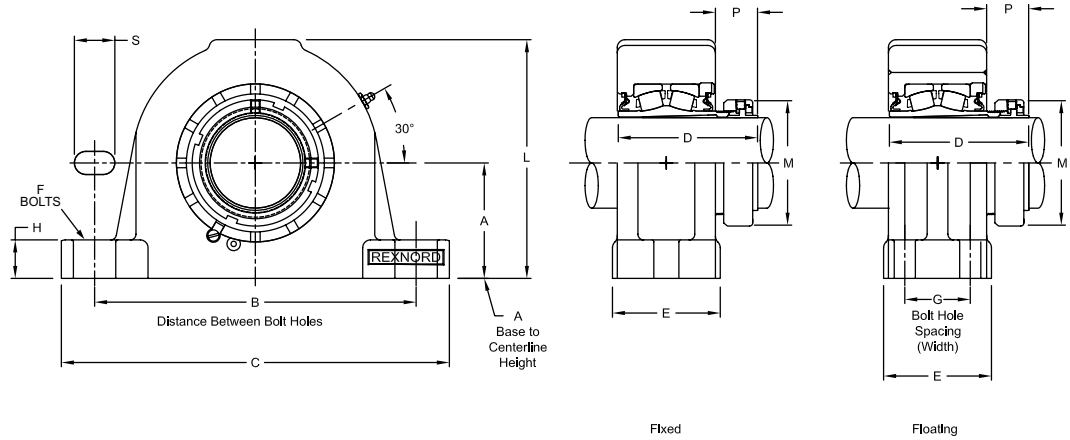
Bearing Dimensions

Size Code	Shaft Diameter	Expansion				Fixed				A Base to Centerline Height	B Distance Between Bolt Holes		G Bolt Hole Spacing (Width)	C	D	E	F Bolts	H	M	S
		Part Number	L	P	Approx. Weight	Part Number	L	P	Approx. Weight		Min.	Max.								
Four-Bolt Pillow Block (continued)																				
12	115.00	ZAFS5115MMF	301.63	26.99	65.00	ZAF5115MMF	301.63	26.99	64.80	152.40	368.30	406.40	82.55	466.730	158.75	130.18	22.00	52.39	157.16	44.45
	4 15/16	ZAFS5415F	12 9/16	1 5/32	209.00	ZAF5415F	12 9/16	1 5/32	207.00	6	15 5/8	17 3/8	3 3/8	19.700	7 7/8	5 7/8	1	2 1/16	7 1/16	1 15/16
13	125.00	ZAFS5125MMF	319.09	29.37	95.00	ZAF5125MMF	319.09	29.37	94.00	152.40	390.53	441.33	85.73	500.380	200.03	149.23	25.00	52.39	179.39	49.21
	130.00	ZAFS5130MMF				ZAF5130MMF														
14	5 7/16	ZAFS5507F	13 11/16	1 3/32	248.00	ZAF5507F	13 7/16	1 7/32	233.00	6 11/16	17 3/8	19 1/4	3 3/4	22.000	8	6 1/4	1	2 5/8	8 3/16	2
	140.00	ZAFS5140MMF	347.66	27.76	112.00	ZAF5140MMF	341.31	30.96	106.00	169.86	441.33	488.95	95.25	558.800	203.20	158.75	25.00	66.68	207.96	50.80
15	5 15/16	ZAFS5515F	14 9/16	1 1/16	295.00	ZAF5515F	14 1/4	1 5/32	274.00	7 1/16	19 3/8	21 5/8	4 1/4	24.750	8 1/8	6 3/4	1	2 3/4	8 5/8	2 3/16
	6	ZAFS5600F			290.00	ZAF5600F			269.00											
	150.00	ZAFS5150MMF	369.88	26.99	131.00	ZAF5150MMF	361.95	29.37	124.00	179.39	492.13	549.28	107.95	628.650	206.38	171.45	25.00	69.85	219.08	55.56
	160.00	ZAFS5160MMF				ZAF5160MMF														
16	6 7/16	ZAFS5607F	15 3/4	1 3/16	355.00	ZAF5607F	15 5/16	1 9/32	337.00	7 1/2	20 7/8	23 5/8	4 5/8	26.750	8 3/4	7 1/8	1	3	9 23/32	2 7/16
	6 1/2	ZAFS5608F			353.00	ZAF5608F			335.00											
	6 15/16	ZAFS5615F	16 1/8		376.00	ZAF5615F	15 11/16		347.00	7 7/8	21 5/8	24 3/8	4 1/2	28.000		7 1/2	1 1/4	3 1/8		2 11/16
	7	ZAFS5700F			372.00	ZAF5700F			345.00											
	180.00	ZAFS5180MMF	409.58	30.16	169.00	ZAF5180MMF	398.46	32.54	169.00	200.03	549.28	619.13	114.30	711.200	222.25	190.50	32.00	79.38	246.86	68.26

Additional Notes

- Please call 1-866-REXNORD for availability
- Metric bore sizes available, see the Rex Interchangeability guide
- Lubrication fitting tap size: for size code 6 thru 11, 1/8" PT; for all other size codes, 1/4" PT
- Base to centerline tolerance, +/- .005 in (+/- 0.13 mm)
- Bore size = nominal shaft size +.001 in/- .000 in (+0.03 mm/-0.00 mm)
- Expansion - size code 6-8 is 3/8", size code 9 thru 11 is 1/2" & size code 12 thru 16 is 3/4"
- Seals - To specify G, K or M seal, replace "Z" in part number with "G", "K" or "M"

- "K" seals only available in size codes 6 thru 11
- "G" seals available in size codes 3 thru 13
- Auxiliary end caps - available in all sizes
- Pad length tolerance, +/- .0075 in (+/- 0.19 mm) for size codes 6 thru 13, +/- .015 in (+/- 0.38 mm) for size codes 14 thru 16
- For the Selection Guide, Load Ratings and Speed Limits, see the Spherical Roller Bearings Engineering section on pages 17 - 29.
- Note: Dimensions subject to change. Certified dimensions of ordered material furnished on request.



Continued...

Bearing Dimensions

Size Code	Shaft Diameter	Expansion			Fixed				A Base to Centerline Height	B Distance Between Bolt Holes		G Bolt Hole Spacing (Width)	C	D	E	F Bolts	H	M	S	
		Part Number	L	P	Approx. Weight	Part Number	L	P		Approx. Weight	Min.									Max.
Four-Bolt Pillow Block (continued)																				
13	4 15/16	ZAFS6415F	12 9/16	2 1/4	208.00	ZAF6415F	12 9/16	2 1/4	208.00	6	15 5/8	17 3/8	3 3/8	19.700	7 15/16	5 7/8	1	2 1/16	6 61/64	1 15/16
	115.00	ZAFS6115MMF	319.09	57.15	95.00	ZAF6115MMF	319.09	57.15	94.00	152.40	390.53	441.33	85.73	500.380	201.61	149.23	25.00	52.39	176.61	49.21
	125.00	ZAFS6125MMF				ZAF6125MMF														
14	5 7/16	ZAFS6507F	13 11/16	2 15/16	248.00	ZAF6507F	13 7/16	3 3/64	233.00	6 11/16	17 3/8	19 1/4	3 3/4	22.000	8 49/64	6 1/4	1	2 5/8	8 1/64	2
15	5 15/16	ZAFS6515F	14 9/16	3 23/64	295.00	ZAF6515F	14 1/4	3 7/16	274.00	7 1/16	19 3/8	21 5/8	4 1/4	24.750	9 19/64	6 3/4	1	2 3/4	8 21/32	2 3/16
16	6 7/16	ZAFS6607F	15 3/4	3 37/64	355.00	ZAF6607F	15 5/16	3 43/64	337.00	7 1/2	20 7/8	23 5/8	4 5/8	26.750	10	7 1/8	1	3	9 3/4	2 7/16
	6 1/2	ZAFS6608F				ZAF6608F														
	6 15/16	ZAFS6615F	16 1/8	3 37/64	376.00	ZAF6615F	15 11/16	3 43/64	347.00	7 7/8	21 5/8	24 3/8	4 1/2	28.000	10	7 1/2	1 1/4	3 1/8	9 3/4	2 11/16

Additional Notes

- Please call 1-866-REXNORD for availability
- Metric bore sizes available, see the Rex Interchangeability guide
- Lubrication fitting tap size: for size code 6 thru 11, 1/8" PT; for all other size codes, 1/4" PT
- Base to centerline tolerance, +/- .005 in (+/-0.13 mm)
- Expansion - size code 6-8 is 3/8", size code 9 thru 11 is 1/2" & size code 12 thru 16 is 3/4"
- Seals - To specify G, K or M seal, replace "Z" in part number with "G", "K" or "M"

- "G" seals available in size code 13
- Auxiliary end caps - available in all sizes
- Pad length tolerance, +/- .0075 in (+/-0.19 mm) for size codes 6 thru 13, +/- .015 in (+/-0.38 mm) for size codes 14 thru 16
- For the Selection Guide, Load Ratings and Speed Limits, see the Spherical Roller Bearings Engineering section on pages 17 - 29.
- Note: Dimensions subject to change. Certified dimensions of ordered material furnished on request.

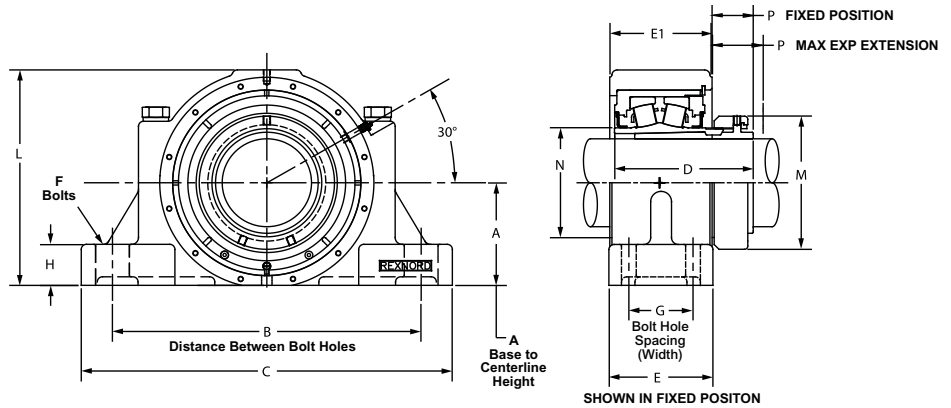
ZLF6000

Interchange: ISAF, USRB5500A, QVVPH



Product Features

- Positive locking system
- Tapered adapter sleeve
- SAF Interchange
- Precision milled ends
- Corrosion-resistant powder coating
- Cast iron split housing
- Pre-Drilled/Tapped for Auxiliary Caps
- Unitized cartridge bearing
- Misalignment capabilities - total of 4°
- Broad range of sealing options
- See Features and Benefits for additional info on pages 10 - 13.



Bearing Dimensions

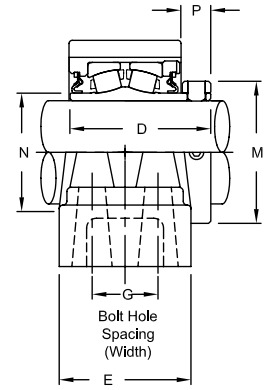
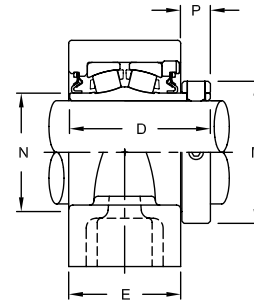
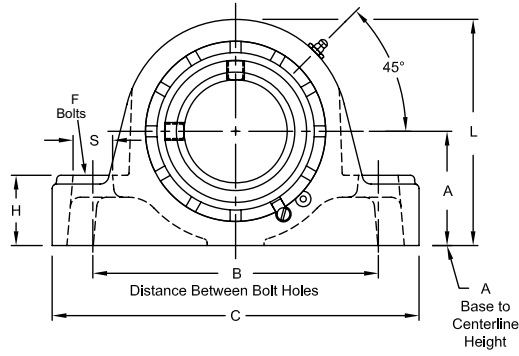
Size Code	Shaft Diameter	Expansion			Fixed			A Base to Centerline Height	B Distance Between Bolt Holes		G Bolt Hole Spacing (Width)	C	D	E	E1	F (Bolts)	H	M	N	Approx. Weight
		Part Number	L	P (Max Expansion)	Part Number	L	P		Min.	Max.										
14	5 7/16	ZLFS6507F	13 11/16	3 3/64	ZLF6507F	13 11/16	2 11/32	6 11/16	17 3/8	19 1/4	3 3/4	22	8 49/64	6 1/4	6 3/4	1	2 5/8	8 1/64	6 1/2	248
15	5 15/16	ZLFS6515F	14 9/16	3 7/16	ZLF6515F	14 9/16	2 47/64	7 1/16	19 3/8	21 5/8	4 1/4	24 3/4	9 19/64	6 3/4	7	1	2 3/4	8 21/32	7 13/64	295
16	6 7/16	ZLFS6607F	15 3/4	3 43/64	ZLF6607F	15 3/4	2 31/32	7 1/2	20 7/8	23 5/8	4 5/8	26 3/4	10	7 1/2	7 3/8	1	3	9 3/4	8 3/64	355
	6 1/2	ZLFS6608F			ZLF6608F															
	6 15/16	ZLFS6615F	16 1/8	3 43/64	ZLF6615F	16 1/8	2 31/32	7 7/8	21 5/8	24 3/8	4 1/2	28	10	7 1/2	7 3/8	1 1/4	3 1/8	9 3/4	8 3/64	376

Additional Notes

- Please call 1-866-REXNORD for availability
- Lubrication fitting tap size 1/4" PT
- Base to centerline +/- .005 in (+/- 0.13 mm)
- Bore size = nominal shaft size + .001"/-.000"
- Seals - To specify M seal, replace "Z" in part number with "M"
- Auxiliary end caps - available except as noted
- Expansion - 3/4"

For the Selection Guide, Load Ratings and Speed Limits, see the Spherical Roller Bearings Engineering section on pages 17 - 29.

Note: Dimensions subject to change. Certified dimensions of ordered material furnished on request.



Fixed Block

Floating Block

Continued...

Bearing Dimensions

Size Code	Shaft Diameter	Expansion					Fixed					A Base to Centerline Height	B Distance Between Bolt Holes	D	F Bolts	G Bolt Hole Spacing	M	N	P	Approx. Weight																				
		Part Number	C	E	H	L	S	Part Number	C	E	H										L	S																		
Two-Bolt Pillow Block (cont.)																																								
10	80.00	ZAS2080MM					ZA2080MM													19.00																				
	85.00	ZAS2085MM	330.20	87.31	57.15	190.50	41.28	ZA2085MM	330.2	87.31	57.15	190.50	41.28	95.25	254.00	111.13	22.00	-	124.62	100.81	23.81	18.30																		
	90.00	ZAS2090MM						ZAS2090MM														18.00																		
11	3 11/16	ZAS2311	14 1/4	4 1/8	2 1/8	8 1/2	1 3/4	ZA2311	14 1/4	4 1/8	2 1/8	8 1/2	1 3/4	4 1/8	10 7/8	5 1/16	1	-	5 5/8	4 9/16	1 1/16	58.00																		
	3 15/16	ZAS2315						ZA2315														56.00																		
	4	ZAS2400						ZA2400														55.00																		
	100.00	ZAS2100MM						ZA2100MM														25.40																		
Four-Bolt Pillow Block																																								
6	1 15/16	ZAS2115F	8 3/8	3 3/16	1 3/8	4 9/16	13/16	ZA2115F	8 3/8	3 3/16	1 3/8	4 9/16	13/16	2 1/4	6 1/4	3 1/8	1/2	1 19/32	2 15/16	2 5/16	11/16	13.20																		
	2	ZAS2200F						ZA2200F														13.10																		
7	50.00	ZAS2050MMF	212.73	80.96	34.93	115.89	22.23	ZA2050MMF	212.73	80.96	34.93	115.89	22.23	57.15	158.75	79.38	13.00	40.89	73.03	58.74	17.46	5.90																		
	2 3/16	ZAS2203F	8 7/8	3 1/4	1 5/8	5	13/16	ZA2203F	8 7/8	3 1/4	1 5/8	5	13/16	2 1/2	6 3/4	3 5/16	1/2	1 11/16	3 1/4	2 5/8	25/32	15.30																		
	2 1/4	ZAS2204F						ZA2204F														15.10																		
	55.00	ZAS2055MMF						225.43														82.55	41.28	127.00	22.23	ZA2055MMF	225.43	82.55	41.28	127.00	22.23	63.50	171.45	84.14	13.00	42.86	82.60	66.68	20.64	7.00
2 3/8	ZAS2206F																								ZA2206F														16.90	
8	2 7/16	ZAS2207F	9 1/4	3 3/8	1 3/4	5 1/2	13/16	ZA2207F	9 1/4	3 3/8	1 3/4	5 1/2	13/16	2 3/4	7 1/8	3 1/2	1/2	1 3/4	3 9/16	2 29/32	7/8	16.60																		
	2 1/2	ZAS2208F						ZA2208F														16.40																		
	60.00	ZAS2060MMF						234.95														85.73	44.45	139.70	22.23	ZA2060MMF	234.95	85.73	44.45	139.70	22.23	69.85	180.98	88.90	13.00	44.45	90.50	73.81	22.23	7.70
	65.00	ZAS2065MMF																								ZA2065MMF														7.50
9	2 11/16	ZAS2211F	10 7/16	3 3/4	2 1/4	6 7/16	15/16	ZA2211F	10 7/16	3 3/4	2 1/4	6 7/16	15/16	3 1/4	8 1/8	4	5/8	1 7/8	4 1/16	3 3/8	13/16	28.00																		
	2 3/4	ZAS2212F						ZA2212F														27.80																		
	2 15/16	ZAS2215F						ZA2215F														26.80																		
	3	ZAS2300F						ZA2300F														26.50																		
70.00	ZAS2070MMF	265.11	95.25	57.15	163.51	25.40	ZA2070MMF	265.11	95.25	57.15	163.51	25.40	82.55	206.38	101.60	16.00	47.63	103.20	85.73	22.23	12.60																			
75.00	ZAS2075MMF						ZA2075MMF														12.20																			
10	3 3/16	ZAS2303F	13	4 1/8	2 1/4	7 1/2	1 1/2	ZA2303F	13	4 1/8	2 1/4	7 1/2	1 1/2	3 3/4	10	4 3/8	3/4	2	4 15/16	3 31/32	15/16	42.10																		
	3 7/16	ZAS2307F						ZA2307F														40.60																		
	3 1/2	ZAS2308F						ZA2308F														40.10																		
	80.00	ZAS2080MMF																								ZA2080MMF														19.10
85.00	ZAS2085MMF	330.20	104.78	57.15	190.50	38.10	ZA2085MMF	330.20	104.78	57.15	190.50	38.10	95.25	254.00	111.13	19.00	50.80	124.62	100.81	23.81	18.50																			
90.00	ZAS2090MMF						ZA2090MMF														18.20																			
11	3 11/16	ZAS2311F	15 1/4	4 1/2	2 5/8	8 5/8	1 1/4	ZA2311F	15 1/4	4 1/2	2 5/8	8 1/2	1 1/4	4 1/4	12 1/2	5 1/16	3/4	2 1/4	5 5/8	4 9/16	1 1/16	63.00																		
	3 15/16	ZAS2315F						ZA2315F														61.00																		
	4	ZAS2400F						ZA2400F														60.00																		
	100.00	ZAS2100MMF						ZA2100MMF														27.70																		

Additional Notes

Please call 1-866-REXNORD for availability
 Metric bore sizes available, see the Rex Interchangeability guide
 Lubrication fitting tap size: 1/8" PT
 Base to centerline tolerance, +/- .005 in (**+/-0.13 mm**)
 Bore size = nominal shaft size +.001 in/- .000 in (**+0.03 mm/-0.00 mm**)
 Expansion - is 3/8" for all size codes
 Seals - To specify G, K or M seal, replace "Z" in part number with "G", "K" or "M"

"G" seals available in size codes 3 thru 11
 Auxiliary end caps - available in all size codes except for size codes 2 & 3 and ZAS series
 For the Selection Guide, Load Ratings and Speed Limits, see the Spherical Roller Bearings Engineering section on pages 17 - 29.
 Note: Dimensions subject to change. Certified dimensions of ordered material furnished on request.

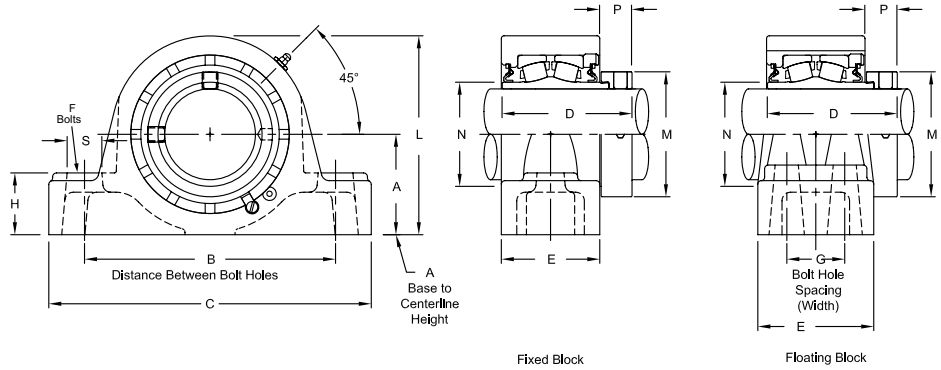
ZA3000, ZAS3000
Interchange: QMPL, QMPF



Photo Shows a 2-Bolt Spherical Roller Bearing Pillow Block Unit

Product Features

- Corrosion-resistant powder coating
- Cast iron housing
- Misalignment capabilities - total of 4°
- Broad range of sealing options
- Factory set clearance & lubrication
- Precision ground & superfinished raceways
- Eccentric locking collar
- Field interchangeable seals
- Fixed or Expansion - total of 3/8" expansion
- See Features and Benefits for additional info on pages 10 - 13.



Fixed Block

Floating Block

Bearing Dimensions

Size Code	Shaft Diameter	Part Number	Expansion					Fixed					A Base to Centerline Height	B Distance Between Bolt Holes	G Bolt Hole Spacing (Width)	D	F Bolts	M	N	P	Approx. Weight	
			C	E	H	L	S	Part Number	C	E	H	L										S
Two-Bolt Pillow Block																						
4	1 7/16	ZAS3107	6 9/16	2 3/16	1	3 7/8	7/8	ZA3107	6 9/16	2 1/4	1 3/16	3 11/16	13/16	1 7/8	5	-	2 59/64	1/2	2 5/16	1 3/4	25/32	7.20
5	1 11/16	ZAS3111	7 1/8	2 7/16	1 1/8	4 3/8	7/8	ZA3111	7 1/8	2 1/2	1 5/16	4 1/4	13/16	2 1/8	5 1/2	-	3 3/16	1/2	2 5/8	2 1/32	3/4	9.70
6	1 15/16	ZAS3115	8 3/8	2 1/2	1 3/8	4 9/16	15/16	ZA3115	8 1/8	2 1/2	1 3/8	4 9/16	15/16	2 1/4	6 1/4	-	3 9/32	5/8	2 3/4	2 5/16	27/32	11.10
7	2 3/16	ZAS3203	8 7/8	2 9/16	1 5/8	5	15/16	ZA3203	8 5/8	2 9/16	1 5/8	5	15/16	2 1/2	6 3/4	-	3 1/2	5/8	3 1/4	2 5/8	31/32	13.80
8	2 7/16	ZAS3207	9 1/4	2 11/16	1 5/8	5 1/2	15/16	ZA3207	9 1/8	2 11/16	1 5/8	5 1/2	15/16	2 3/4	7 1/8	-	3 21/32	5/8	3 9/16	2 29/32	1 1/64	16.50
	ZA3208																					
9	2 11/16	ZAS3211	10 7/16	3 3/16	2	6 7/16	1 1/16	ZA3211	10 7/16	3 3/16	2	6 7/16	1 1/16	3 1/4	8 1/8	-	4 13/64	3/4	4 1/16	3 3/8	1 1/64	27.70
	ZAS3215	ZA3215						26.40														
10	3 7/16	ZAS3307	13	3 7/16	2 1/4	7 1/2	1 5/8	ZA3307	13	3 7/16	2 1/4	7 1/2	1 5/8	3 3/4	10	-	4 37/64	7/8	4 15/16	3 31/32	1 9/64	40.90
	ZAS3308	ZA3308						40.40														
11	3 15/16	ZAS3315	14 1/4	4 1/8	2 1/8	8 1/2	1 3/4	ZA3315	14 1/4	4 1/8	2 1/8	8 1/2	1 3/4	4 1/8	10 7/8	-	5 3/16	1	5 5/8	4 9/16	1 1/16	56.00
Four-Bolt Pillow Block																						
6	1 15/16	ZAS3115F	8 3/8	3 3/16	1 3/8	4 9/16	13/16	ZA3115F	8 3/8	3 3/16	1 3/8	4 9/16	13/16	2 1/4	6 1/4	1 19/32	3 9/32	1/2	2 3/4	2 5/16	27/32	13.40
7	2 3/16	ZAS3203F	8 7/8	3 1/4	1 5/8	5	13/16	ZA3203F	8 7/8	3 1/4	1 5/8	5	13/16	2 1/2	6 3/4	1 11/16	3 1/2	1/2	3 1/4	2 5/8	31/32	15.60
8	2 7/16	ZAS3207F	9 1/4	3 3/8	1 3/4	5 1/2	13/16	ZA3207F	9 1/4	3 3/8	1 3/4	5 1/2	13/16	2 3/4	7 1/8	1 3/4	3 21/32	1/2	3 9/16	2 29/32	1 1/64	16.80
	2 1/2	ZAS3208F						ZA3208F														
9	2 11/16	ZAS3211F	10 7/16	3 3/4	2 1/4	6 7/16	15/16	ZA3211F	10 7/16	3 3/4	2 1/4	6 7/16	15/16	3 1/4	8 1/8	1 7/8	4 13/64	5/8	4 1/16	3 3/8	1 1/64	28.40
	2 15/16	ZAS3215F						ZA3215F														
10	3 7/16	ZAS3307F	13	4 1/8	2 1/4	7 1/2	1 1/2	ZA3307F	13	4 1/8	2 1/4	7 1/2	1 1/2	3 3/4	10	2	4 37/64	3/4	4 15/16	3 31/32	1 9/64	41.20
	3 1/2	ZAS3308F						ZA3308F														
11	3 15/16	ZAS3315F	15 1/4	4 1/2	2 5/8	8 5/8	1 1/4	ZA3315F	15 1/4	4 1/2	2 5/8	8 1/2	1 1/4	4 1/4	12 1/2	2 1/4	5 3/16	3/4	5 5/8	4 9/16	1 1/16	61.00

Additional Notes

- Please call 1-866-REXNORD for availability
- Lubrication fitting tap size 1/8" PT
- Base to centerline tolerance, +/- .005 in (+/- 0.13 mm)
- Bore size = nominal shaft size +.001 in/- .000 in (+0.03 mm/-0.00 mm)
- Expansion - is 3/8" for all size codes
- Seals - To specify G, K or M seal, replace "Z" in part number with "G", "K" or "M"
- Auxiliary end caps - available in all size codes except ZAS series

For the Selection Guide, Load Ratings and Speed Limits, see the Spherical Roller Bearings Engineering section on pages 17 - 29.

Note: Dimensions subject to change. Certified dimensions of ordered material furnished on request.

ZA5000, ZAS5000
Interchange: QAAPL, QAAPF

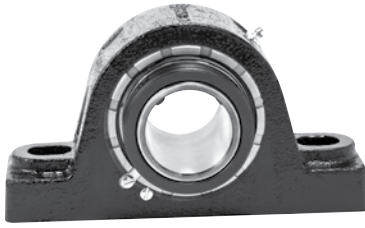
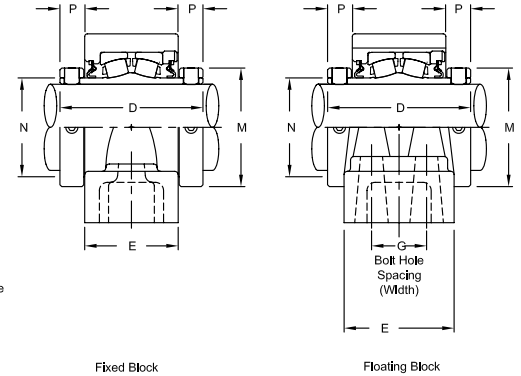
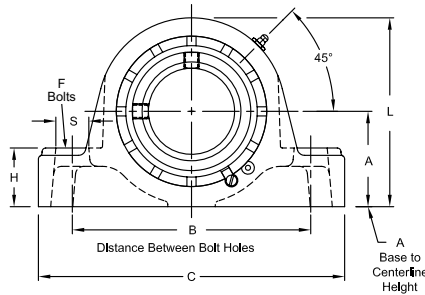


Photo Shows a 2-Bolt Spherical Roller Bearing Pillow Block Unit

Product Features

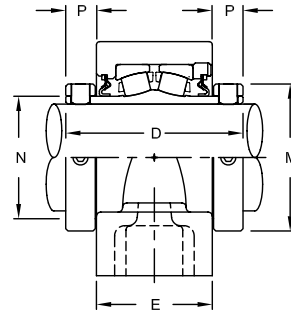
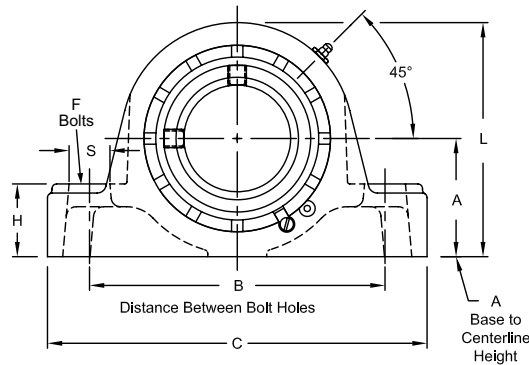
- Corrosion-resistant powder coating
- Cast iron housing
- Misalignment capabilities - total of 4°
- Broad range of sealing options
- Factory set clearance & lubrication
- Precision ground & superfinished raceways
- Two hardened spring locking collars
- Field interchangeable seals
- Fixed or Expansion - total of 3/8" expansion
- See Features and Benefits for additional info on pages 10 - 13.



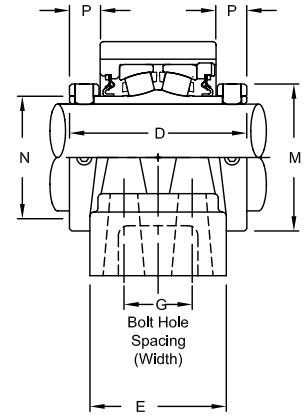
Bearing Dimensions

Size Code	Shaft Diameter	Expansion					Fixed					A Base to Centerline Height	B Distance Between Bolt Holes	D	F	G Bolt Hole Spacing (Width)	M	N	P	Approx. Weight		
		Part Number	C	E	H	L	S	Part Number	C	E	H										L	S
Two-Bolt Pillow Block																						
4	1 7/16	ZAS5107	6 9/16	2 1/4	1 3/16	3 7/8	7/8	ZA5107	6 9/16	2 3/16	1	3 7/8	7/8	1 7/8	5	3 9/16	1/2	-	2 5/16	1 3/4	11/16	7.50
	35.00	ZAS5035MM	166.96	55.56	25.40	98.42	22.23	ZA5035MM	166.96	55.56	30.16	93.66	20.64	47.63	127.00	90.49	13.00	-	58.74	44.45	17.46	3.40
5	1 1/2	ZAS5108	7 1/8	2 1/2	1 5/16	4 3/8	7/8	ZA5108	7 1/8	2 7/16	1 1/8	4 3/8	7/8	2 1/8	5 1/2	3 13/16	1/2	-	2 19/32	2 1/32	11/16	10.50
	40.00	ZAS5111						ZA5111														10.10
	45.00	ZAS5040MM	180.98	63.5	28.58	111.13	22.23	ZA5040MM	180.98	63.50	33.34	107.95	20.64	53.98	139.70	96.84	13.00	-	65.88	51.59	17.46	4.70
6	1 15/16	ZAS5115	8 3/8	2 1/2	1 3/8	4 9/16	1	ZA5115	8 3/8	2 1/2	1 3/8	4 9/16	1	2 1/4	6 1/4	3 13/16	5/8	-	2 7/8	2 5/16	11/16	11.50
	50.00	ZAS5050MM	212.73	63.50	34.93	115.89	25.40	ZA5050MM	206.37	63.50	34.93	115.89	25.40	57.15	158.75	96.84	16.00	-	73.03	66.68	25.40	5.20
7	2	ZAS5200	8 5/8	2 9/16	1 5/8	5	1	ZA5200	8 5/8	2 9/16	1 5/8	5	1	2 1/2	6 3/4	4 1/8	5/8	-	3 1/4	2 5/8	13/16	15.20
	2 3/16	ZAS5203						ZA5203														15.80
	55.00	ZAS5055MM	225.43	65.09	41.28	127.00	25.40	ZA5055MM	219.08	65.09	41.28	127.00	25.40	63.50	171.45	104.78	16.00	-	82.60	66.68	20.64	7.20
8	2 7/16	ZAS5207	9 1/8	2 11/16	1 5/8	5 1/2	1	ZA5207	9 1/8	2 11/16	1 5/8	5 1/2	1	2 3/4	7 1/8	4 3/8	5/8	-	3 9/16	2 29/32	7/8	17.10
	60.00	ZAS5060MM						ZA5060MM														7.80
	65.00	ZAS5065MM	234.95	68.26	41.28	139.70	25.40	ZA5065MM	231.78	68.26	41.28	139.70	25.40	69.85	180.98	111.13	16.00	-	90.50	73.81	22.23	7.50
9	2 1/2	ZAS5208	10 7/16	3 3/16	2	6 7/16	1 1/8	ZA5208	10 7/16	3 3/16	2	6 7/16	1 1/8	3 1/4	8 1/8	4 7/8	3/4	-	4 1/16	3 3/8	7/8	30.00
	2 11/16	ZAS5211						ZA5211														29.00
	2 15/16	ZAS5215						ZA5215														28.50
	70.00	ZAS5070MM						265.11														80.96
75.00	ZAS5075MM	265.11	80.96	50.80	163.51	28.58	ZA5075MM	265.11	80.96	50.80	163.51	28.58	82.55	206.38	134.94	19.00	-	103.20	85.73	22.23	12.90	
10	3 3/16	ZAS5303	13	3 7/16	2 1/4	7 1/2	1 5/8	ZA5303	13	3 7/16	2 1/4	7 1/2	1 5/8	3 3/4	10	5 5/16	7/8	-	4 29/32	3 31/32	15/16	44.40
	3 7/16	ZAS5307						ZA5307														42.50
	80.00	ZAS5080MM						ZA5080MM														20.10
	85.00	ZAS5085MM						330.20														87.31
90.00	ZAS5090MM	330.20	87.31	57.15	190.50	41.28	ZA5090MM	330.20	87.31	57.15	190.50	41.28	95.25	254.00	134.94	22.00	-	124.62	100.81	23.81	19.70	
11	3 11/16	ZAS5311	14 1/4	4 1/8	2 1/8	8 1/2	1 3/4	ZA5311	14 1/4	4 1/8	2 1/8	8 1/2	1 3/4	4 1/8	10 7/8	6 1/8	1	-	5 5/8	4 9/16	1 1/32	60.50
	3 15/16	ZAS5315						ZA5315														59.50
	4	ZAS5400						ZA5400														58.50
	100.00	ZAS5100MM						361.95														104.78

Continued...



Fixed Block



Floating Block

Continued...

Bearing Dimensions

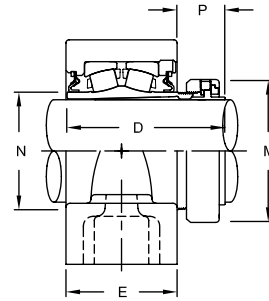
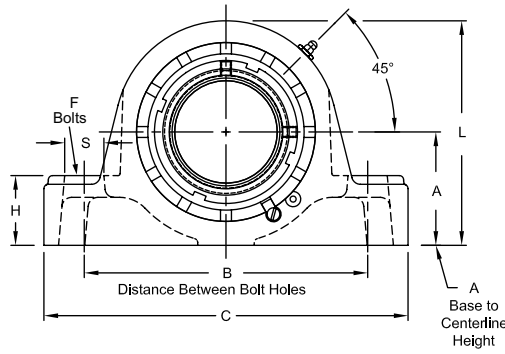
Size Code	Shaft Diameter	Expansion					Fixed					A Base to Centerline Height	B Distance Between Bolt Holes	D	F Bolts	G Bolt Hole Spacing (Width)	M	N	P	Approx. Weight		
		Part Number	C	E	H	L	S	Part Number	C	E	H										L	S
Four-Bolt Pillow Block																						
6	1 15/16	ZAS5115F	8 3/8	3 3/16	1 3/8	4 9/16	7/8	ZA5115F	8 3/8	3 3/16	1 3/8	4 9/16	7/8	2 1/4	6 1/4	3 13/16	1/2	1 19/32	2 7/8	2 5/16	1 1/16	13.80
	45.00	ZAS5050MMF	212.73	80.96	34.93	115.89	22.23	ZA5050MMF	212.73	80.96	34.93	115.89	22.23	57.15	158.75	96.84	13.00	40.89	73.03	58.74	22.23	6.30
7	2	ZAS5200F	8 7/8	3 1/4	1 5/8	5	7/8	ZA5200F	8 7/8	3 1/4	1 5/8	5	7/8	2 1/2	6 3/4	4 1/8	1/2	1 11/16	3 1/4	2 5/8	1 3/16	17.00
	55.00	ZAS5203F	8 7/8	3 1/4	1 5/8	5	7/8	ZA5203F	8 7/8	3 1/4	1 5/8	5	7/8	2 1/2	6 3/4	4 1/8	1/2	1 11/16	3 1/4	2 5/8	1 3/16	17.60
8	2 7/16	ZAS5207F	9 1/4	3 3/8	1 3/4	5 1/2	7/8	ZA5207F	9 1/4	3 3/8	1 3/4	5 1/2	7/8	2 3/4	7 1/8	4 3/8	1/2	1 3/4	3 9/16	2 29/32	7/8	17.90
	60.00	ZAS5060MMF	234.95	85.73	44.45	139.70	22.23	ZA5060MMF	234.95	85.73	44.45	139.70	22.23	69.85	180.98	111.13	13.00	44.45	90.50	73.81	22.23	8.10
9	2 1/2	ZAS5208F	10 7/16	3 3/4	2 1/4	6 7/16	1	ZA5208F	10 7/16	3 3/4	2 1/4	6 7/16	1	3 1/4	8 1/8	4 7/8	5/8	1 7/8	4 1/16	3 3/8	7/8	30.70
	70.00	ZAS5215F	10 7/16	3 3/4	2 1/4	6 7/16	1	ZA5215F	10 7/16	3 3/4	2 1/4	6 7/16	1	3 1/4	8 1/8	4 7/8	5/8	1 7/8	4 1/16	3 3/8	7/8	29.20
10	3 3/16	ZAS5303F	13	4 1/8	2 1/4	7 1/2	1 1/2	ZA5303F	13	4 1/8	2 1/4	7 1/2	1 1/2	3 3/4	10	5 5/16	3/4	2	4 29/32	3 31/32	15/16	44.70
	80.00	ZAS5080MMF	265.11	95.25	57.15	163.51	25.40	ZA5080MMF	265.11	95.25	57.15	163.51	25.40	82.55	206.38	123.83	16.00	47.63	103.20	85.73	22.23	42.80
11	3 15/16	ZAS5311F	15 1/4	4 1/2	2 5/8	8 1/2	1 1/4	ZA5311F	15 1/4	4 1/2	2 5/8	8 1/2	1 1/4	4 1/4	12 1/2	6 1/8	3/4	2 1/4	5 5/8	4 9/16	1 1/32	65.50
	85.00	ZAS5085MMF	330.20	104.78	57.15	190.50	38.10	ZA5085MMF	330.20	104.78	57.15	190.50	38.10	95.25	254.00	134.94	19.00	50.80	124.62	100.81	23.81	64.50
11	4	ZAS5400F	15 1/4	4 1/2	2 5/8	8 1/2	1 1/4	ZA5400F	15 1/4	4 1/2	2 5/8	8 1/2	1 1/4	4 1/4	12 1/2	6 1/8	3/4	2 1/4	5 5/8	4 9/16	1 1/32	63.50
	100.00	ZAS5100MMF	387.35	114.30	66.68	215.90	31.75	ZA5100MMF	387.35	114.30	66.68	215.90	31.75	107.95	317.50	155.58	19.00	57.15	142.90	115.89	26.19	28.80

Additional Notes

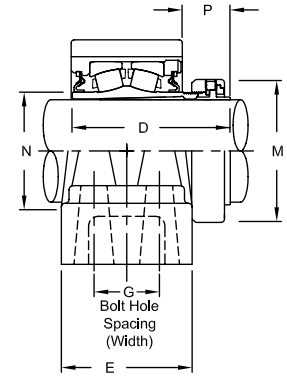
- Please call 1-866-REXNORD for availability
- Metric bore sizes available, see the Rex Interchangeability guide
- Lubrication fitting tap size 1/8" PT
- Base to centerline tolerance, +/- .005 in (+/- 0.13 mm)
- Bore size = nominal shaft size +.001 in/-.000 in (+0.03 mm/-0.00 mm)
- Expansion - is 3/8" for all size codes
- Seals - To specify G, K or M seal, replace "Z" in part number with "G", "K" or "M"

Auxiliary end caps - available in all size codes except ZAS series
 For the Selection Guide, Load Ratings and Speed Limits, see the Spherical Roller Bearings Engineering section on pages 17 - 29.

Note: Dimensions subject to change. Certified dimensions of ordered material furnished on request.



Fixed Block



Floating Block

Continued...

Bearing Dimensions

Size Code	Shaft Diameter	Expansion					Fixed					A Base to Centerline Height	B Distance Between Bolt Holes	G Bolt Hole Spacing (Width)	D	F Bolts	M	N	P	Approx. Weight		
		Part Number	C	E	H	L	S	Part Number	C	E	H										L	S
Four-Bolt Pillow Block																						
10	3 3/16	ZAS6303F	13	4 1/8	2 1/4	7 1/2	1 1/2	ZA6303F	13	4 1/8	2 1/4	7 1/2	1 1/2	3 3/4	10	2	5 1/32	3/4	4 61/64	3 31/32	1 19/32	42.10 lb 40.60 lb
	3 7/16	ZAS6307F						ZA6307F														
	80.00	ZAS6080MMF	330.20	104.78	57.15	190.50	38.10	ZA6080MMF	330.20	104.78	57.15	190.50	38.10	95.25	254.00	50.80	127.79	19.00	125.81	100.81	40.48	20.30 kg 20.10 kg
	85.00	ZAS6085MMF						ZA6085MMF														
11	3 11/16	ZAS6311F	15 1/4	4 1/2	2 5/8	8 1/2	1 1/4	ZA6311F	15 1/4	4 1/2	2 5/8	8 1/2	1 1/4	4 1/4	12 1/2	2 1/4	5 31/32	3/4	5 49/64	4 9/16	1 47/64	63.00 lb 61.00 lb
	3 15/16	ZAS6315F						ZA6315F														
	90.00	ZAS6090MMF	387.35	114.30	66.68	215.90	31.75	ZA6090MMF	387.35	114.30	66.68	215.90	31.75	107.95	317.50	57.15	146.84	19.00	144.07	115.89	44.05	28.80 kg
	100.00	ZAS6100MMF						ZA6100MMF														

Additional Notes

- Please call 1-866-REXNORD for availability
- Metric bore sizes available, see the Rex Interchangeability guide
- Lubrication fitting tap size: for fixed units 1/8" PT
- Base to centerline tolerance, +/- .005 in (+/- 0.13 mm)
- Expansion - is 3/8" for all size codes
- Seals - To specify G, K or M seal, replace "Z" in part number with "G", "K" or "M"
- Auxiliary end caps - available in all size codes except ZAS series

For the Selection Guide, Load Ratings and Speed Limits, see the Spherical Roller Bearings Engineering section on pages 17 - 29.

Note: Dimensions subject to change. Certified dimensions of ordered material furnished on request.

ZA9000, ZAS9000

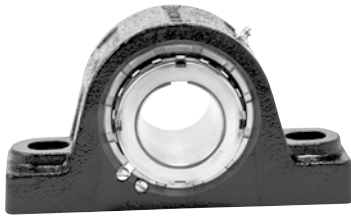
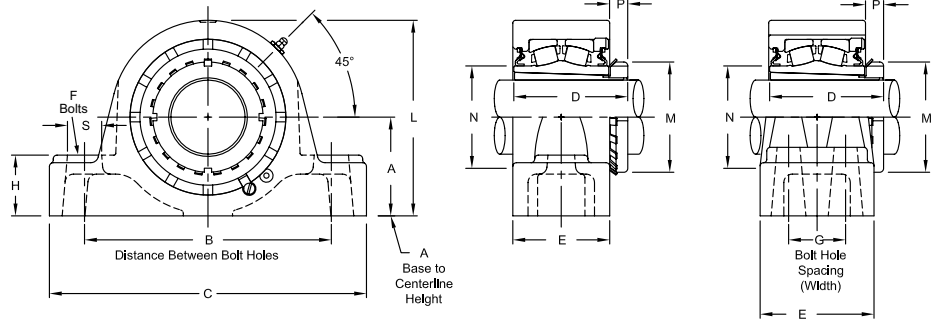


Photo Shows a 2-Bolt Spherical Roller Bearing Pillow Block Unit

Product Features

- Corrosion-resistant powder coating
- Cast iron housing
- Misalignment capabilities - total of 4°
- Broad range of sealing options
- Factory set clearance & lubrication
- Precision ground & superfinished raceways
- Enhanced life mounting style
- Field interchangeable seals
- Fixed or Expansion - total of 3/8" expansion
- See Features and Benefits for additional info on pages 10 - 13.



Fixed Block

Floating Block

Bearing Dimensions

Size Code	Shaft Diameter	Expansion		A Base to Centerline Height	B Distance Between Bolt Holes	G Bolt Hole Spacing (Width)	C	D	E	F Bolts	H	L	M	N	P	S	Approx. Weight													
		Part Number	Part Number																											
Two-Bolt Pillow Block																														
7	1 15/16	ZAS9115	ZA9115	2 1/2	6 3/4	-	8 5/8	3 3/32	2 9/16	5/8	1 5/8	5	2 31/32	2 5/8	19/32	1	13.70													
	2	ZAS9200	ZA9200														13.60													
	45.00	ZAS9045MM	ZA9045MM														63.50	171.45	-	225.43	80.17	65.09	16.00	41.28	127.00	75.40	66.680	15.08	25.40	6.10
	50.00	ZAS9050MM	ZA9050MM																											
8	2 3/16	ZAS9203	ZA9203	2 3/4	7 1/8	-	9 1/8	3 11/32	2 11/16	5/8	1 5/8	5 1/2	3 3/8	2 29/32	23/32	1	16.40													
	55.00	ZAS9055MM	ZA9055MM	69.85	180.98	-	231.78	84.93	68.26	16.00	41.28	139.70	85.73	73.810	18.26	25.40	25.40													
9	2 7/16	ZAS9207	ZA9207	3 1/4	8 1/8	-	10 7/16	3 3/4	3 3/16	3/4	2	6 7/16	3 5/8	3 3/8	5/8	1 1/8	26.60													
	2 1/2	ZAS9208	ZA9208														26.60													
10	2 11/16	ZAS9211	ZA9211	3 3/4	10	-	13	4 1/4	3 7/16	7/8	2 1/4	7 1/2	4 13/32	3 31/32	13/16	1 5/8	43.00													
	2 15/16	ZAS9215	ZA9215														41.80													
	75.00	ZAS9075MM	ZA9075MM														95.25	254.00	-	330.20	107.95	87.31	22.00	57.15	190.50	111.92	100.810	20.64	41.28	19.00
11	3 3/16	ZAS9303	ZA9303	4 1/8	10 7/8	-	14 1/4	5	4 1/8	1	2 1/8	8 1/2	5 3/16	5 3/16	15/16	15/16	61.00													
	3 7/16	ZAS9307	ZA9307														59.00													
	80.00	ZAS9080MM	ZA9080MM														104.78	276.23	-	361.95	127.00	104.78	25.00	53.98	215.90	131.76	115.890	23.81	44.45	27.00
Four-Bolt Pillow Block																														
7	1 15/16	ZAS9115F	ZA9115F	2 1/2	6 3/4	1 11/16	8 7/8	3 5/32	3 1/4	1/2	1 5/8	5	2 31/32	2 5/8	19/32	7/8	15.50													
	2	ZAS9200F	ZA9200F														15.40													
	45.00	ZAS9045MMF	ZA9045MMF														63.50	171.45	42.86	225.43	80.17	82.55	13.00	41.28	127.00	75.41	66.680	15.08	22.23	7.00
	50.00	ZAS9050MMF	ZA9050MMF																											
8	2 3/16	ZAS9203F	ZA9203F	2 3/4	7 1/8	1 3/4	9 1/4	3 11/32	3 3/8	1/2	1 3/4	5 1/2	3 3/8	2 29/32	23/32	7/8	17.20													
	55.00	ZAS9055MMF	ZA9055MMF	69.85	180.98	44.45	234.95	84.93	85.73	13.00	44.45	139.70	85.73	73.810	18.26	22.23	7.80													
9	2 7/16	ZAS9207F	ZA9207F	3 1/4	8 1/8	1 7/8	10 7/16	3 3/4	3 3/4	5/8	2 1/4	6 7/16	3 5/8	3 3/8	5/8	1	27.30													
	2 1/2	ZAS9208F	ZA9208F														29.30													
10	2 11/16	ZAS9211F	ZA9211F	3 3/4	10	2	13	4 1/4	4 1/4	3/4	2 1/4	7 1/2	4 13/32	3 31/32	13/16	1 1/2	43.30													
	2 15/16	ZAS9215F	ZA9215F														42.10													
	75.00	ZAS9075MMF	ZA9075MMF														95.25	254.00	50.80	330.20	107.95	104.78	19.00	57.15	190.50	111.92	100.810	20.64	38.10	19.20
11	3 3/16	ZAS9303F	ZA9303F	4 1/4	12 1/2	2 1/4	15 1/4	5	4 1/2	3/4	2 5/8	8 1/2	5 3/16	4 9/16	15/16	1 1/4	66.00													
	3 7/16	ZAS9307F	ZA9307F														64.00													
	80.00	ZAS9080MMF	ZA9080MMF														107.95	317.50	57.15	387.35	127.00	114.30	19.00	66.68	215.90	131.76	115.890	23.81	31.75	29.00

Additional Notes

- Please call 1-866-REXNORD for availability
- Lubrication fitting tap size 1/8" PT
- Base to centerline tolerance, +/- .005 in (+/- 0.13 mm)
- Expansion - is 3/8" for all size codes
- Seals - To specify G, K or M seal, replace "Z" in part number with "G", "K" or "M"
- Auxiliary end caps - available in all size codes except ZAS series

For the Selection Guide, Load Ratings and Speed Limits, see the Spherical Roller Bearings Engineering section on pages 17 - 29.
 Note: Dimensions subject to change. Certified dimensions of ordered material furnished on request.

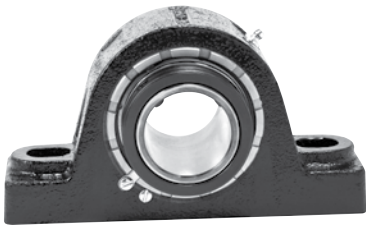
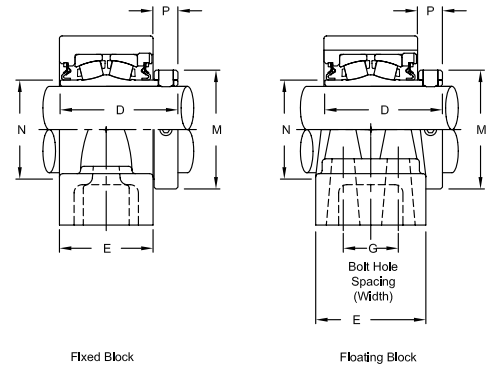
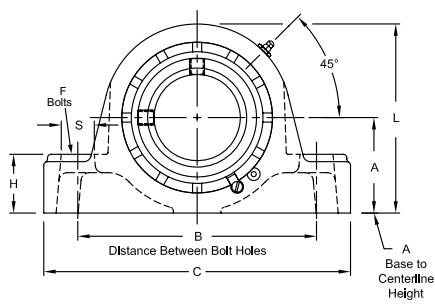
ZA2000-72, ZAS2000-72


Photo Shows a 2-Bolt Spherical Roller Bearing Pillow Block Unit

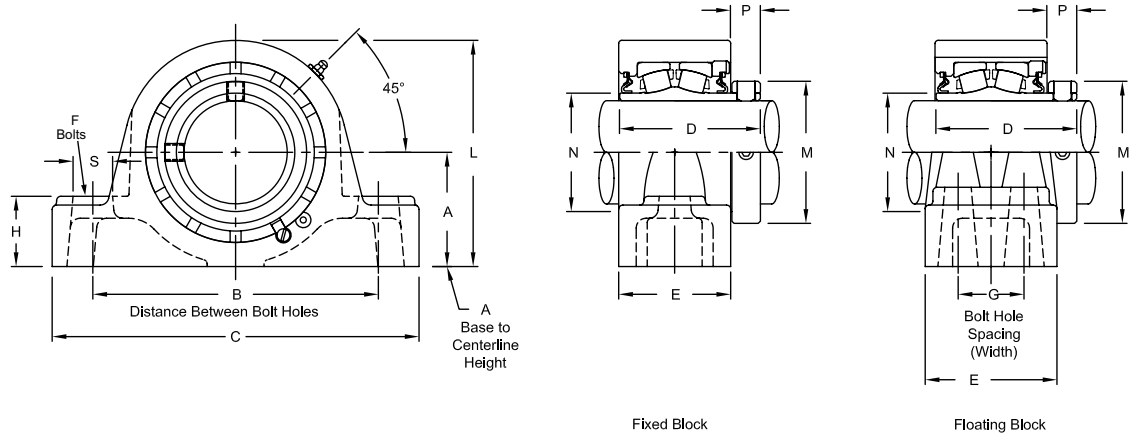
Product Features

- Corrosion-resistant powder coating
- Cast steel housing
- Misalignment capabilities - total of 4°
- Broad range of sealing options
- Factory set clearance & lubrication
- Precision ground & superfinished raceways
- Hardened spring locking collar
- Field interchangeable seals
- Fixed or Expansion - total of 3/8" expansion
- See Features and Benefits for additional info on pages 10 - 13.


Bearing Dimensions

Size Code	Shaft Diameter	Expansion				Fixed				A Base to Centerline Height	B Distance Between Bolt Holes	D	E	F Bolts	M	N	P	Approx. Weight		
		Part Number	C	H	L	S	Part Number	C	H										L	S
Two-Bolt Pillow Block																				
4	1 7/16	ZAS210772	6 9/16	1	3 7/8	7/8	ZA210772	6 9/16	1	3 5/8	7/8	1 7/8	5	2 7/8	2 1/4	1/2	2 5/16	1 3/4	1 1/16	7.50
	1 1/2	ZAS210872					ZA210872													
	35.00	ZAS2035MM72	166.69	25.40	98.43	22.23	ZA2035MM72	166.69	25.40	92.08	22.23	47.63	127.00	73.02	57.15	13.00	58.74	44.450	17.46	3.40
5	1 11/16	ZAS211172	7 1/8	1 1/8	4 3/8	7/8	ZA211172	7 1/8	1 1/8	4 3/16	7/8	2 1/8	5 1/2	3 1/8	2 1/2	1/2	2 19/32	2 1/32	1 1/16	10.50
	1 3/4	ZAS211272					ZA211272													
	40.00	ZAS2040MM72	180.98	28.58	111.13	22.23	ZA2040MM72	180.98	28.58	106.36	22.23	53.98	139.70	79.38	63.50	13.00	65.88	51.590	17.46	4.70
	45.00	ZAS2045MM72					ZA2045MM72													
6	1 15/16	ZAS211572	8 1/8	1 1/4	4 9/16	15/16	ZA211572	8 3/8	1 3/8	4 9/16	1	2 1/4	6 1/4	3 1/8	2 1/2	5/8	2 7/8	2 5/16	1 1/16	11.70
	2	ZAS220072					ZA220072													
	50.00	ZAS2050MM72	206.38	31.75	115.89	23.81	ZA2050MM72	212.73	34.93	115.89	25.40	57.15	158.75	79.38	63.50	16.00	73.03	58.740	17.46	5.30
7	2 3/16	ZAS220372	8 5/8	1 5/16	5	1	ZA220372	8 7/8	1 5/8	5	1	2 1/2	6 3/4	3 5/16	2 9/16	5/8	3 1/4	2 5/8	1 3/16	14.50
	2 1/4	ZAS220472					ZA220472													
	55.00	ZAS2055MM72	219.08	33.34	127.00	25.40	ZA2055MM72	225.43	41.28	127.00	25.40	63.50	171.45	84.14	65.09	16.00	82.60	66.680	20.64	6.60
8	2 3/8	ZAS220672					ZA220672													
	2 7/16	ZAS220772	9 1/8	1 1/2	5 1/2	1	ZA220772	9 1/4	1 3/4	5 1/2	1	2 3/4	7 1/8	3 1/2	2 11/16	5/8	3 9/16	2 29/32	7/8	18.00
	2 1/2	ZAS220872					ZA220872													
	60.00	ZAS2060MM72	231.78	38.10	139.70	25.40	ZA2060MM72	234.95	44.45	139.70	25.40	69.85	180.98	88.90	68.26	16.00	90.50	73.810	22.23	8.20
	65.00	ZAS2065MM72					ZA2065MM72													
9	2 11/16	ZAS221172					ZA221172													
	2 3/4	ZAS221272	10 7/16	1 1/8	6 7/16	1 1/8	ZA221272	10 7/16	2 1/4	6 7/16	1 1/8	3 1/4	8 1/8	4	3 3/16	3/4	4 1/16	3 3/8	7/8	25.50
	2 15/16	ZAS221572					ZA221572													
	3	ZAS230072					ZA230072													
	70.00	ZAS2070MM72	265.11	28.58	163.51	28.58	ZA2070MM72	265.11	57.15	163.51	28.58	82.55	206.38	101.60	80.96	19.00	103.20	85.730	22.23	11.60
	75.00	ZAS2075MM72				ZA2075MM72														
10	3 3/16	ZAS230372					ZA230372													
	3 7/16	ZAS230772	13	2 1/4	7 1/2	1 5/8	ZA230772	13	2 1/4	7 1/2	1 5/8	3 3/4	10	4 3/8	3 7/16	7/8	4 29/32	3 31/32	1 5/16	42.50
	3 1/2	ZAS230872					ZA230872													
	80.00	ZAS2080MM72	330.20	57.15	190.50	41.28	ZA2080MM72	330.20	57.15	190.50	41.28	95.25	254.00	111.13	87.31	22.00	124.62	100.810	23.81	19.30
	85.00	ZAS2085MM72					ZA2085MM72													
	90.00	ZAS2090MM72				ZA2090MM72														
11	3 11/16	ZAS231172					ZA231172													
	3 15/16	ZAS231572	14 1/4	2 1/8	8 1/2	1 3/4	ZA231572	14 1/4	2 1/8	8 1/2	1 3/4	4 1/8	10 7/8	5 1/16	4 1/8	1	5 5/8	4 9/16	1 1/32	52.50
	4	ZAS240072					ZA240072													
	100.00	ZAS2100MM72	361.95	53.98	215.90	44.45	ZA2100MM72	361.95	53.98	215.90	44.45	104.78	276.23	128.59	104.78	25.00	142.90	115.890	26.19	23.80

Continued...



Continued...

Bearing Dimensions

Size Code	Shaft Diameter	Expansion				Fixed				A Base to Centerline Height	B Distance Between Bolt Holes	G Bolt Hole Spacing (Width)	D	E	F Bolts	M	N	P	Approx. Weight																				
		Part Number	C	H	L	S	Part Number	C	H											L	S																		
Four-Bolt Pillow Block																																							
6	1 15/16	ZAS2115F72	8 3/8	1 3/8	4 9/16	13/16	ZA2115F72	8 3/8	1 3/8	4 9/16	13/16	2 1/4	6 1/4	1 19/32	3 1/8	3 3/16	1/2	2 7/8	2 5/16	11/16	13.00																		
	50.00	ZAS2200F72	212.70	34.90	115.90	20.60	ZA2200F72	212.70	34.90	115.90	20.60	57.15	158.80	40.50	79.38	81.00	12.00	73.00	58.74	17.46	6.0																		
7	2 3/16	ZAS2203F72	8 7/8	1 5/8	5	13/16	ZA2203F72	8 7/8	1 5/8	5	13/16	2 1/2	6 3/4	1 11/16	3 5/16	3 1/4	1/2	3 1/4	2 5/8	13/16	16.00																		
	55.00	ZAS2204F72	225.40	41.30	127.00	20.60	ZA2204F72	225.40	41.30	127.00	20.60	63.50	171.40	42.90	84.14	82.60	12.00	82.60	66.68	20.64	7.3																		
8	2 3/8	ZAS2206F72	9 1/4	1 3/4	5 1/2	13/16	ZA2206F72	9 1/4	1 3/4	5 1/2	13/16	2 3/4	7 1/8	1 3/4	3 1/2	3 3/8	1/2	3 9/16	2 29/32	7/8	20.00																		
	2 7/16	ZAS2207F72					ZA2207F72																																
	60.00	ZAS2060MMF72	235.00	44.40	139.70	20.60	ZA2060MMF72	235.00	44.40	139.70	20.60	69.85	181.00	44.40	88.90	85.70	12.00	90.50	73.81	22.23	9.3																		
	65.00	ZAS2065MMF72	235.00	44.40	139.70	20.60	ZA2065MMF72	235.00	44.40	139.70	20.60	69.85	181.00	44.40	88.90	85.70	12.00	90.50	73.81	22.23	9.3																		
9	2 11/16	ZAS2211F72	10 7/16	2 1/4	6 7/16	15/16	ZA2211F72	10 7/16	2 1/4	6 7/16	15/16	3 1/4	8 1/8	1 7/8	4	3 3/4	5/8	4 1/16	3 3/8	7/8	29.00																		
	2 3/4	ZAS2212F72					ZA2212F72																																
	2 15/16	ZAS2215F72					ZA2215F72																																
	70.00	ZAS2070MMF72					265.10															57.20	163.50	23.80	ZA2070MMF72	265.10	57.20	163.50	23.80	82.55	206.40	47.60	101.60	95.20	16.00	103.20	85.73	22.23	13.5
75.00	ZAS2075MMF72	265.10	57.20	163.50	23.80	ZA2075MMF72	265.10	57.20	163.50	23.80	82.55	206.40	47.60	101.60	95.20	16.00	103.20	85.73	22.23	13.5																			
10	3 3/16	ZAS2303F72	13	2 1/4	7 1/2	1 1/2	ZA2303F72	13	2 1/4	7 1/2	1 1/2	3 3/4	10	2	4 3/8	4 1/8	3/4	4 29/32	3 31/32	15/16	48.00																		
	3 7/16	ZAS2307F72					ZA2307F72																																
	80.00	ZAS2080MMF72					330.20															57.20	190.50	38.10	ZA2080MMF72	330.20	57.20	190.50	38.10	95.25	254.00	50.80	111.12	104.80	20.00	124.60	100.81	23.81	22.0
	85.00	ZAS2085MMF72					330.20															57.20	190.50	38.10	ZA2085MMF72	330.20	57.20	190.50	38.10	95.25	254.00	50.80	111.12	104.80	20.00	124.60	100.81	23.81	22.0
90.00	ZAS2090MMF72	330.20	57.20	190.50	38.10	ZA2090MMF72	330.20	57.20	190.50	38.10	95.25	254.00	50.80	111.12	104.80	20.00	124.60	100.81	23.81	22.0																			
11	3 11/16	ZAS2311F72	15 1/4	2 5/8	8 1/2	1 1/4	ZA2311F72	15 1/4	2 5/8	8 1/2	1 1/4	4 1/4	12 1/2	2 1/4	5 1/16	4 1/2	3/4	5 5/8	4 9/16	1 1/32	75.00																		
	3 15/16	ZAS2315F72					ZA2315F72																																
	100.00	ZAS2100MMF72					387.40															66.70	215.90	31.80	ZA2100MMF72	387.40	66.70	215.90	31.80	107.95	317.50	57.20	128.59	114.30	20.00	142.90	115.89	26.19	35.0
	100.00	ZAS2400F72					387.40															66.70	215.90	31.80	ZA2400F72	387.40	66.70	215.90	31.80	107.95	317.50	57.20	128.59	114.30	20.00	142.90	115.89	26.19	35.0

Additional Notes

- Please call 1-866-REXNORD for availability
- Metric bore sizes available, see the Rex Interchangeability guide
- Lubrication fitting tap size 1/8" PT
- Base to centerline tolerance, +/- .005 in (+/- 0.13 mm)
- Bore size = nominal shaft size +.001 in/-.000 in (+0.03 mm/-0.00 mm)
- Expansion - is 3/8" for all size codes

- Seals - To specify G, K or M seal, replace "Z" in part number with "G", "K" or "M"
- Auxiliary end caps - available in all size codes except ZAS series
- For the Selection Guide, Load Ratings and Speed Limits, see the Spherical Roller Bearings Engineering section on pages 17 - 29.
- Note: Dimensions subject to change. Certified dimensions of ordered material furnished on request.

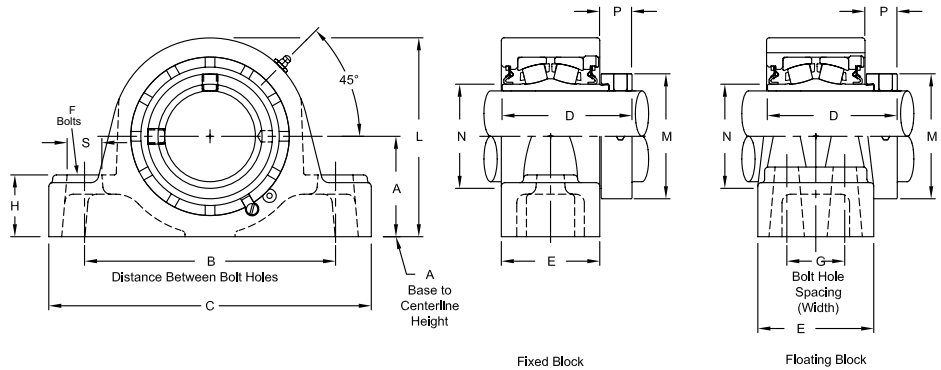
ZA3000-72, ZAS3000-72



Photo Shows a 2-Bolt Spherical Roller Bearing Pillow Block Unit

Product Features

- Corrosion-resistant powder coating
- Cast steel housing
- Misalignment capabilities - total of 4°
- Broad range of sealing options
- Factory set clearance & lubrication
- Precision ground & superfinished raceways
- Eccentric locking collar
- Field interchangeable seals
- Fixed or Expansion - total of 3/8" expansion
- See Features and Benefits for additional info on pages 10 - 13.



Fixed Block

Floating Block

Bearing Dimensions

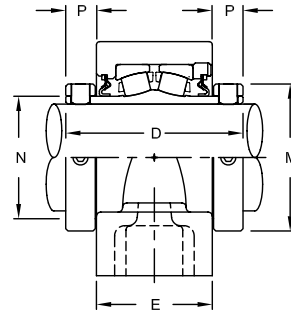
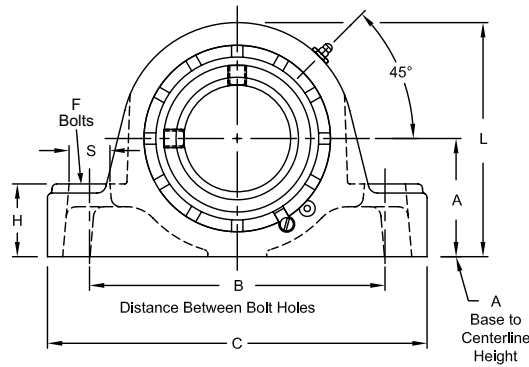
Size Code	Shaft Diameter	Expansion				Fixed				A Base to Centerline Height	B Distance Between Bolt Holes	G Bolt Hole Spacing (Width)	D	E	F Bolts	M	N	P	Approx. Weight		
		Part Number	C	H	L	S	Part Number	C	H											L	S
Two-Bolt Pillow Block																					
4	1 7/16	ZAS310772	6 9/16	1	3 7/8	7/8	ZA310772	6 9/16	1	3 5/8	7/8	1 7/8	5	-	2 59/64	2 1/4	1/2	2 5/16	1 3/4	3/4	8.00
5	1 11/16	ZAS311172	7 1/8	1 1/8	4 3/8	7/8	ZA311172	7 1/8	1 1/8	4 3/16	7/8	2 1/8	5 1/2	-	3 3/16	2 1/2	1/2	2 19/32	2 1/32	3/4	10.50
6	1 15/16	ZAS311572	8 1/8	1 1/4	4 9/16	15/16	ZA311572	8 3/8	1 3/8	4 9/16	1	2 1/4	6 1/4	-	3 9/32	2 1/2	5/8	2 3/4	2 5/16	13/16	12.00
7	2 3/16	ZAS320372	8 5/8	1 5/16	5	1	ZA320372	8 7/8	1 5/8	5	1	2 1/2	6 3/4	-	3 1/2	2 9/16	5/8	3 1/4	2 5/8	31/32	15.00
8	2 7/16	ZAS320772	9 1/8	1 1/2	5 1/2	1	ZA320772	9 1/4	1 3/4	5 1/2	1	2 3/4	7 1/8	-	3 21/32	2 11/16	5/8	3 9/16	2 29/32	1 1/64	18.00
	2 1/2	ZAS320872					ZA320872														
9	2 11/16	ZAS321172	10 7/16	1 1/8	6 7/16	1 1/8	ZA321172	10 7/16	2 1/4	6 7/16	1 1/8	3 1/4	8 1/8	-	4 13/64	3 3/16	3/4	4 1/16	3 3/8	1 1/64	26.80
	2 15/16	ZAS321572					ZA321572														
10	3 7/16	ZAS330772	13	2 1/4	7 1/2	1 5/8	ZA330772	13	2 1/4	7 1/2	1 5/8	3 3/4	10	-	4 9/16	3 7/16	7/8	4 29/32	3 31/32	1 9/64	42.50
	3 1/2	ZAS330872					ZA330872														
11	3 15/16	ZAS331572	14 1/4	2 1/8	8 1/2	1 3/4	ZA331572	14 1/4	2 1/8	8 1/2	1 3/4	4 1/8	10 7/8	-	5 3/16	4 1/8	1	5 5/8	4 9/16	1 1/16	52.00
Four-Bolt Pillow Block																					
6	1 15/16	ZAS3115F72	8 3/8	1 3/8	4 9/16	13/16	ZA3115F72	8 3/8	1 3/8	4 9/16	13/16	2 1/4	6 1/4	1 19/32	3 9/32	3 3/16	1/2	2 3/4	2 5/16	13/16	13.00
7	2 3/16	ZAS3203F72	8 7/8	1 5/8	5	13/16	ZA3203F72	8 7/8	1 5/8	5	13/16	2 1/2	6 3/4	1 11/16	3 1/2	3 1/4	1/2	3 1/4	2 5/8	31/32	16.00
8	2 7/16	ZAS3207F72	9 1/4	1 3/4	5 1/2	13/16	ZA3207F72	9 1/4	1 3/4	5 1/2	13/16	2 3/4	7 1/8	1 3/4	3 21/32	3 3/8	1/2	3 9/16	2 29/32	1 1/64	20.00
	2 1/2	ZAS3208F72					ZA3208F72														
9	2 11/16	ZAS3211F72	10 7/16	2 1/4	6 7/16	15/16	ZA3211F72	10 7/16	2 1/4	6 7/16	15/16	3 1/4	8 1/8	1 7/8	4 13/64	3 3/4	5/8	4 1/16	3 3/8	1 1/64	29.00
	2 15/16	ZAS3215F72					ZA3215F72														
10	3 7/16	ZAS3307F72	13	2 1/4	7 1/2	1 1/2	ZA3307F72	13	2 1/4	7 1/2	1 1/2	3 3/4	10	2	4 9/16	4 1/8	3/4	4 29/32	3 31/32	1 9/64	48.00
	3 1/2	ZAS3308F72					ZA3308F72														
11	3 15/16	ZAS3315F72	15 1/4	2 5/8	8 1/2	1 1/4	ZA3315F72	15 1/4	2 5/8	8 1/2	1 1/4	4 1/4	12 1/2	2 1/4	5 3/16	4 1/2	3/4	5 5/8	4 9/16	1 1/16	75.00

Additional Notes

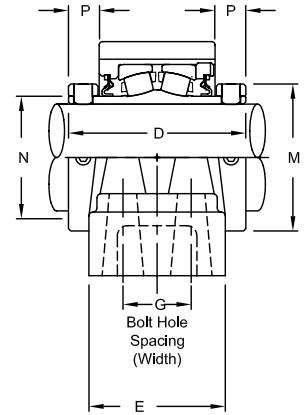
- Please call 1-866-REXNORD for availability
- Lubrication fitting tap size 1/8" PT
- Base to centerline tolerance, +/- .005 in (+/- 0.13 mm)
- Bore size = nominal shaft size +.001 in/- .000 in (+0.03 mm/-0.00 mm)
- Expansion - is 3/8" for all size codes
- Seals - To specify G, K or M seal, replace "Z" in part number with "G", "K" or "M"
- Auxiliary end caps - available in all size codes except ZAS series

For the Selection Guide, Load Ratings and Speed Limits, see the Spherical Roller Bearings Engineering section on pages 17 - 29.

Note: Dimensions subject to change. Certified dimensions of ordered material furnished on request.



Fixed Block



Floating Block

Continued...

Bearing Dimensions

Size Code	Shaft Diameter	Expansion				Fixed				A Base to Centerline Height	B Distance Between Bolt Holes	G Bolt Hole Spacing (Width)	D	E	F Bolts	M	N	P	Approx. Weight		
		Part Number	C	H	L	S	Part Number	C	H											L	S
Four-Bolt Pillow Block																					
6	1 15/16	ZAS5115F72	8 3/8	1 3/8	4 9/16	13/16	ZA5115F72	8 3/8	1 3/8	4 9/16	13/16	2 1/4	6 1/4	1 19/32	3 13/16	3 3/16	1/2	2 7/8	2 5/16	1 1/16	13.00
	50.00	ZAS5050MMF72	212.70	34.90	115.90	20.60	ZA5050MMF72	212.70	34.90	115.90	20.60	57.15	158.80	40.50	96.84	81.00	12.00	73.00	58.74	17.46	6.0
7	2	ZAS5200F72	8 7/8	1 5/8	5	13/16	ZA5200F72	8 7/8	1 5/8	5	13/16	2 1/2	6 3/4	1 11/16	4 1/8	3 1/4	1/2	3 1/4	2 5/8	13/16	16.00
	2 3/16	ZAS5203F72					ZA5203F72														
55.00	ZAS5055MMF72	225.40	41.30	127.00	20.60	ZA5055MMF72	225.40	41.30	127.00	20.60	63.50	171.40	42.90	104.78	82.60	12.00	82.60	66.68	20.64	7.3	
8	2 7/16	ZAS5207F72	9 1/4	1 3/4	5 1/2	13/16	ZA5207F72	9 1/4	1 3/4	5 1/2	13/16	2 3/4	7 1/8	1 3/4	4 3/8	3 3/8	1/2	3 9/16	2 29/32	7/8	20.00
	60.00	ZAS5060MMF72	235.00	44.40	139.70	20.60	ZA5060MMF72	235.00	44.40	139.70	20.60	69.85	181.00	44.40	111.13	85.70	12.00	90.50	73.81	22.23	9.3
65.00	ZAS5065MMF72	ZA5065MMF72																			
9	2 1/2	ZAS5208F72	10 7/16	2 1/4	6 7/16	15/16	ZA5208F72	10 7/16	2 1/4	6 7/16	15/16	3 1/4	8 1/8	1 7/8	4 7/8	3 3/4	5/8	4 1/16	3 3/8	7/8	29.00
	2 11/16	ZAS5211F72					ZA5211F72														
2 15/16	ZAS5215F72	ZA5215F72																			
70.00	ZAS5070MMF72	265.10	57.20	163.50	23.80	ZA5070MMF72	265.10	57.20	163.50	23.80	82.55	206.40	47.60	123.83	95.20	16.00	103.20	85.73	22.23	13.5	
75.00	ZAS5075MMF72					ZA5075MMF72															
10	3 3/16	ZAS5303F72	13	2 1/4	7 1/2	1 1/2	ZA5303F72	13	2 1/4	7 1/2	1 1/2	3 3/4	10	2	5 5/16	4 1/8	3/4	4 29/32	3 31/32	15/16	48.00
	3 7/16	ZAS5307F72					ZA5307F72														
80.00	ZAS5080MMF72	330.20	57.20	190.50	38.10	ZA5080MMF72	330.20	57.20	190.50	38.10	95.25	254.00	50.80	134.94	104.80	20.00	124.60	100.81	23.81	22.0	
85.00	ZAS5085MMF72					ZA5085MMF72															
90.00	ZAS5090MMF72	ZA5090MMF72																			
11	3 11/16	ZAS5311F72	15 1/4	2 5/8	8 1/2	1 1/4	ZA5311F72	15 1/4	2 5/8	8 1/2	1 1/4	4 1/4	12 1/2	2 1/4	6 1/8	4 1/2	3/4	5 5/8	4 9/16	1 1/32	75.00
	3 15/16	ZAS5315F72					ZA5315F72														
4	ZAS5400F72	ZA5400F72																			
100.00	ZAS5100MMF72	387.40	66.70	215.90	31.80	ZA5100MMF72	387.40	66.70	215.90	31.80	107.95	317.50	57.20	155.58	114.30	20.00	142.90	115.89	26.19	35.0	

Additional Notes

- Please call 1-866-REXNORD for availability
- Metric bore sizes available, see the Rex Interchangeability guide
- Lubrication fitting tap size 1/8" PT
- Base to centerline tolerance, +/- .005 in (+/- 0.13 mm)
- Bore size = nominal shaft size +.001 in / -.000 in (+0.03 mm / -0.00 mm)
- Expansion - is 3/8" for all size codes
- Seals - To specify G, K or M seal, replace "Z" in part number with "G", "K" or "M"

- Auxiliary end caps - available in all size codes except ZAS series
- For the Selection Guide, Load Ratings and Speed Limits, see the Spherical Roller Bearings Engineering section on pages 17 - 29.
- Note: Dimensions subject to change. Certified dimensions of ordered material furnished on request.

ZA6000-72, ZAS6000-72

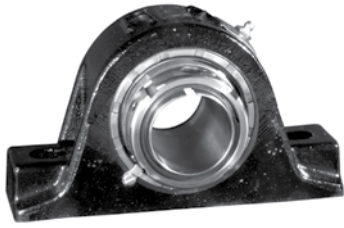
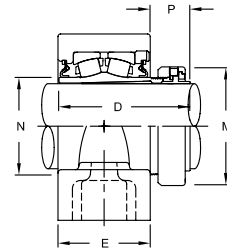
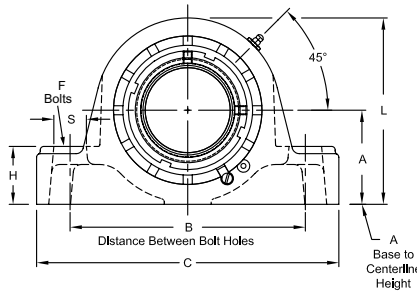


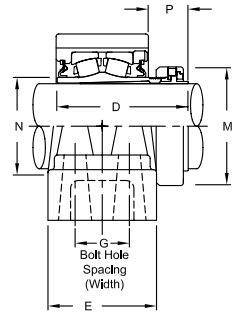
Photo Shows a 2-Bolt Spherical Roller Bearing Pillow Block Unit

Product Features

- Positive locking system
- Tapered adapter sleeve
- Corrosion-resistant powder coating
- Cast steel housing
- Misalignment capabilities - total of 4°
- Broad range of sealing options
- Factory set clearance & lubrication
- Precision ground & superfinished raceways
- See Features and Benefits for additional info on pages 10 - 13.



Fixed Block



Floating Block

Bearing Dimensions

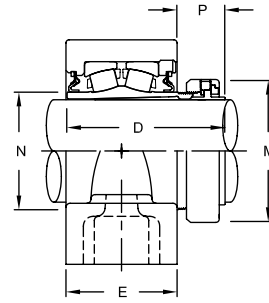
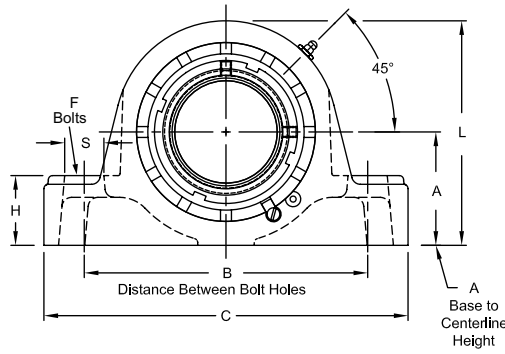
Size Code	Shaft Diameter	Expansion					Fixed					A Base to Centerline Height	B Distance Between Bolt Holes	D	E	F Bolts	L	M	N	P
		Part Number	C	H	S	Approx. Weight	Part Number	C	H	S	Approx. Weight									
Two-Bolt Pillow Block																				
4	1 7/16	ZAS610772	6 7/8	1 3/16	13/16	7.50	ZAS610772	6 7/8	1 3/16	13/16	7.50	1 7/8	5	3 21/64	2 1/4	1/2	3 11/16	2 25/64	1 3/4	1 9/64
	35.00	ZAS6035MM72	174.63	30.16	20.64	3.40	ZA6035MM72	174.63	30.16	20.64	3.40	47.63	127.00	84.53	57.15	13.00	93.66	60.72	44.45	28.97
5	1 11/16	ZAS611172	7 3/8	1 5/16	13/16	9.20	ZA611172	7 3/8	1 5/16	13/16	9.20	2 1/8	5 1/2	3 47/64	2 1/2	1/2	4 3/8	2 41/64	2 1/32	1 9/32
	40.00	ZAS6040MM72	187.33	33.34	20.64	4.20	ZA6040MM72	187.33	33.34	20.64	4.20	53.98	139.70	94.85	63.50	13.00	111.13	67.07	51.59	32.54
6	1 15/16	ZAS611572	8 1/8	1 1/4	15/16	12.20	ZA611572	8 3/8	1 3/8	1	11.30	2 1/4	6 1/4	3 41/64	2 1/2	5/8	4 9/16	2 55/64	2 5/16	1 1/8
	45.00	ZAS6045MM72	206.38	31.75	23.81	5.80	ZA6045MM72	212.73	34.93	25.40	5.40	57.15	158.75	92.47	63.50	16.00	115.89	72.63	58.740	28.58
7	2 3/16	ZAS620372	8 7/8	1 5/16	1	14.80	ZA620372	8 7/8	1 5/8	1	14.30	2 1/2	6 3/4	3 11/16	2 9/16	5/8	5	3 15/64	2 5/8	1 5/32
	50.00	ZAS6050MM72	219.08	33.34	25.40	7.00	ZA6050MM72	225.43	41.28	25.40	7.00	63.50	171.45	93.66	65.09	16.00	127.00	82.15	66.680	29.37
8	2 3/8	ZAS620672	9 1/8	1 1/2	1	18.50	ZA620672	9 1/4	1 3/4	1	17.70	2 3/4	7 1/8	4 1/16	2 11/16	5/8	5 1/2	3 19/32	2 29/32	1 27/64
	2 7/16	ZAS620772				18.40	ZA620772				17.60									
9	2 11/16	ZAS621172	10 7/16	1 1/8	1 1/8	27.00	ZA621172	10 7/16	2 1/4	1 1/8	26.20	3 1/4	8 1/8	4 17/32	3 3/16	3/4	6 7/16	4 3/32	3 3/8	1 25/64
	2 3/4	ZAS621272				26.60	ZA621272				25.80									
10	2 15/16	ZAS621572	13	2 1/4	1 5/8	25.50	ZA621572	13	2 1/4	1 5/8	24.70	3 3/4	10	5 1/32	3 7/16	7/8	7 1/2	4 61/64	3 31/32	1 19/32
	65.00	ZAS6065MM72				265.11	28.58				28.58									
11	3 3/16	ZAS630372	14 1/4	2 1/8	1 3/4	44.00	ZA630372	14 1/4	2 1/8	1 3/4	39.50	4 1/8	10 7/8	5 25/32	4 1/8	1	8 1/2	5 43/64	4 9/16	1 47/64
	3 7/16	ZAS630772				42.50	ZA630772				41.50									
12	3 11/16	ZAS631172	330.20	57.15	41.28	21.10	ZA6080MM72	330.20	57.15	41.28	19.00	95.25	254.00	127.79	87.31	22.00	190.50	125.81	100.810	40.48
	75.00	ZAS6075MM72				12.50	ZA6075MM72				13.00									
13	3 15/16	ZAS631572	361.95	53.98	44.45	26.50	ZA6085MM72	361.95	53.98	44.45	22.50	104.78	276.23	146.84	104.78	25.00	215.90	144.07	115.890	44.05
	80.00	ZAS6080MM72				39.50	ZA6080MM72				41.50									
14	3 11/16	ZAS631172	361.95	53.98	44.45	26.50	ZA6090MM72	361.95	53.98	44.45	22.50	104.78	276.23	146.84	104.78	25.00	215.90	144.07	115.890	44.05
	90.00	ZAS6090MM72				46.30	ZA631572				46.30									
15	3 15/16	ZAS631572	361.95	53.98	44.45	26.50	ZA6100MM72	361.95	53.98	44.45	22.50	104.78	276.23	146.84	104.78	25.00	215.90	144.07	115.890	44.05
	100.00	ZAS6100MM72				46.30	ZA6100MM72				46.30									

Additional Notes

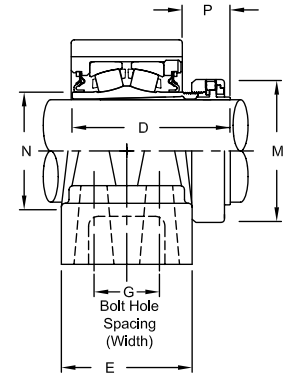
- Please call 1-866-REXNORD for availability
- Metric bore sizes available, see the Rex Interchangeability guide
- Lubrication fitting tap size 1/8" PT
- Base to centerline tolerance, +/- .005 in (+/- 0.13 mm)
- Expansion - is 3/8" for all size codes
- Seals - To specify G, K or M seal, replace "Z" in part number with "G", "K" or "M"
- Auxiliary end caps - available in all size codes except ZAS series

For the Selection Guide, Load Ratings and Speed Limits, see the Spherical Roller Bearings Engineering section on pages 17 - 29.

Note: Dimensions subject to change. Certified dimensions of ordered material furnished on request.



Fixed Block



Floating Block

Continued...

Bearing Dimensions

Size Code	Shaft Diameter	Expansion				Fixed				A Base to Centerline Height	B Distance Between Bolt Holes	G Bolt Hole Spacing (Width)	D	E	F Bolts	M	N	P	Approx. Weight																				
		Part Number	C	H	L	S	Part Number	C	H											L	S																		
Four-Bolt Pillow Block																																							
6	1 15/16	ZAS6115F72	8 3/8	1 3/8	4 9/16	13/16	ZA6115F72	8 3/8	1 3/8	4 9/16	13/16	2 1/4	6 1/4	1 19/32	3 41/64	3 3/16	1/2	2 55/64	2 5/16	1 1/8	13.00																		
	45.00	ZAS6045MMF72	212.70	34.90	115.90	20.60	ZA6045MMF72	212.70	34.90	115.90	20.60	57.15	158.80	40.50	92.47	81.00	12.00	72.63	58.74	28.58	6.0																		
7	2 3/16	ZAS6203F72	8 7/8	1 5/8	5	13/16	ZA6203F72	8 7/8	1 5/8	5	13/16	2 1/2	6 3/4	1 11/16	3 11/16	3 1/4	1/2	3 15/64	2 5/8	1 5/32	16.00																		
	50.00	ZAS6050MMF72	225.40	41.30	127.00	20.60	ZA6050MMF72	225.40	41.30	127.00	20.60	63.50	171.40	42.90	93.66	82.60	12.00	82.15	66.68	29.37	7.3																		
8	2 3/8	ZAS6206F72	9 1/4	1 3/4	5 1/2	13/16	ZA6206F72	9 1/4	1 3/4	5 1/2	13/16	2 3/4	7 1/8	1 3/4	4 1/16	3 3/8	1/2	3 19/32	2 29/32	1 27/64	20.00																		
	55.00	ZAS6055MMF72					ZA6207F72															60.00	ZAS6060MMF72	235.00	44.40	139.70	20.60	ZA6060MMF72	235.00	44.40	139.70	20.60	69.85	181.00	44.40	103.19	85.70	12.00	91.28
9	2 11/16	ZAS6211F72	10 7/16	2 1/4	6 7/16	15/16	ZA6211F72	10 7/16	2 1/4	6 7/16	15/16	3 1/4	8 1/8	1 7/8	4 17/32	3 3/4	5/8	4 3/32	3 3/8	1 25/64	29.00																		
	70.00	ZAS6070MMF72					265.10															57.20	163.50	23.80	ZA6070MMF72	265.10	57.20	163.50	23.80	82.55	206.40	47.60	115.09	95.20	16.00	103.98	85.73	35.32	13.5
	75.00	ZAS6075MMF72					265.10															57.20	163.50	23.80	ZA6075MMF72	265.10	57.20	163.50	23.80	82.55	206.40	47.60	115.09	95.20	16.00	103.98	85.73	35.32	13.5
	80.00	ZAS6080MMF72					330.20															57.20	190.50	38.10	ZA6080MMF72	330.20	57.20	190.50	38.10	95.25	254.00	50.80	127.79	104.80	20.00	125.81	100.81	40.48	22.0
10	3 3/16	ZAS6303F72	13	2 1/4	7 1/2	1 1/2	ZA6303F72	13	2 1/4	7 1/2	1 1/2	3 3/4	10	2	5 1/32	4 1/8	3/4	4 61/64	3 31/32	1 19/32	48.00																		
	85.00	ZAS6085MMF72					330.20															57.20	190.50	38.10	ZA6085MMF72	330.20	57.20	190.50	38.10	95.25	254.00	50.80	127.79	104.80	20.00	125.81	100.81	40.48	22.0
11	3 11/16	ZAS6311F72	15 1/4	2 5/8	8 1/2	1 1/4	ZA6311F72	15 1/4	2 5/8	8 1/2	1 1/4	4 1/4	12 1/2	2 1/4	5 25/32	4 1/2	3/4	5 43/64	4 9/16	1 47/64	75.00																		
	90.00	ZAS6090MMF72					387.40															66.70	215.90	31.80	ZA6090MMF72	387.40	66.70	215.90	31.80	107.95	317.50	57.20	146.84	114.30	20.00	144.07	115.89	44.05	35.0
	100.00	ZAS6100MMF72					387.40															66.70	215.90	31.80	ZA6100MMF72	387.40	66.70	215.90	31.80	107.95	317.50	57.20	146.84	114.30	20.00	144.07	115.89	44.05	35.0

Additional Notes

- Please call 1-866-REXNORD for availability
- Metric bore sizes available, see the Rex Interchangeability guide
- Lubrication fitting tap size 1/8" PT
- Base to centerline tolerance, +/- .005 in (+/- 0.13 mm)
- Expansion - is 3/8" for all size codes
- Seals - To specify G, K or M seal, replace "Z" in part number with "G", "K" or "M"
- Auxiliary end caps - available in all size codes except ZAS series

For the Selection Guide, Load Ratings and Speed Limits, see the Spherical Roller Bearings Engineering section on pages 17 - 29.

Note: Dimensions subject to change. Certified dimensions of ordered material furnished on request.

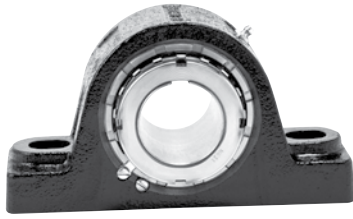
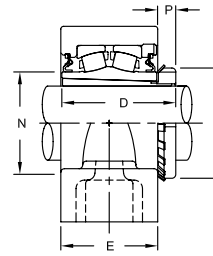
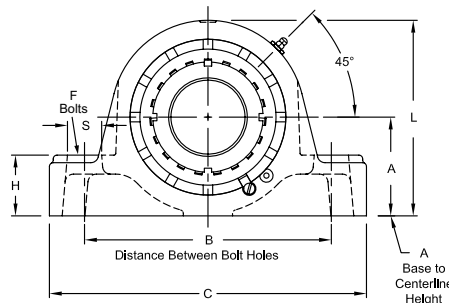


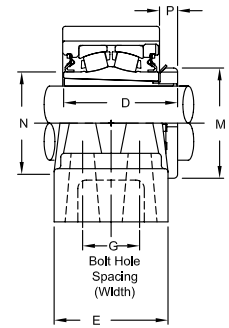
Photo Shows a 2-Bolt Spherical Roller Bearing Pillow Block Unit

Product Features

- Corrosion-resistant powder coating
- Cast steel housing
- Misalignment capabilities - total of 4°
- Broad range of sealing options
- Factory set clearance & lubrication
- Precision ground & superfinished raceways
- Enhanced life mounting style
- Field interchangeable seals
- Fixed or Expansion - total of 3/8" expansion
- See Features and Benefits for additional info on pages 10 - 13.



Fixed Block

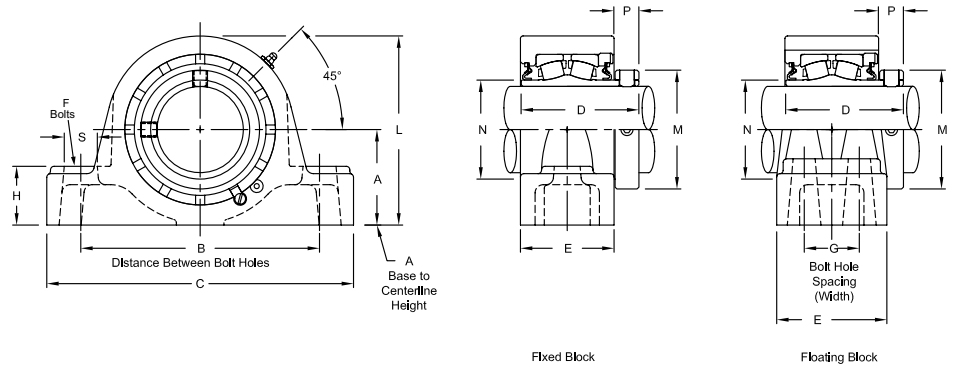


Floating Block

Bearing Dimensions

Size Code	Shaft Diameter	Expansion				Fixed				A Base to Centerline Height	B Distance Between Bolt Holes	D	E	F Bolts	L	M	N	P	S										
		Part Number	C	H	Approx. Weight	Part Number	C	H	Approx. Weight																				
Two-Bolt Pillow Block																													
7	1 15/16	ZAS911572	8 5/8	1 5/16	15.00	ZA911572	8 7/8	1 5/8	14.50	2 1/2	6 3/4	3 5/32	2 9/16	5/8	5	2 31/32	2 5/8	19/32	1										
	2	ZAS920072			14.90	ZA920072			14.40																				
	45.00	ZAS9045MM72	219.08	33.34	6.80	ZA9045MM72	225.43	41.28	6.60											63.50	171.45	80.17	65.09	16.00	127.00	75.40	66.680	15.08	25.40
	50.00	ZAS9050MM72				ZA9050MM72																							
8	2 3/16	ZAS920372	9 1/8	1 1/2	18.70	ZA920372	9 1/4	1 3/4	17.90	2 3/4	7 1/8	3 11/32	2 11/16	5/8	5 1/2	3 3/8	2 29/32	23/32	1										
	55.00	ZAS9055MM72	231.78	38.10	8.50	ZA9055MM72	234.95	44.45	8.10	69.85	180.98	84.93	68.26	16.00	139.70	85.73	73.810	18.26	25.40										
9	2 7/16	ZAS920772	10 7/16	1 1/8	26.30	ZA920772	10 7/16	2 1/4	25.50	3 1/4	8 1/8	3 3/4	3 3/16	3/4	6 7/16	3 5/8	3 3/8	5/8	1 1/8										
	2 1/2	ZAS920872			25.90	ZA920872			25.10																				
10	2 11/16	ZAS921172	13	2 1/4	45.20	ZA921172	13	2 1/4	40.70	3 3/4	10	4 1/4	3 7/16	7/8	7 1/2	4 13/32	3 31/32	13/16	1 5/8										
	2 15/16	ZAS921572			44.00	ZA921572			39.50																				
	75.00	ZAS9075MM72			330.20	57.15			19.90											ZA9075MM72	330.20	57.15	18.00	95.25	254.00	107.95	87.31	22.00	190.50
11	3 3/16	ZAS930372	14 1/4	2 1/8	60.00	ZA930372	14 1/4	2 1/8	51.30	4 1/8	10 7/8	5	4 1/8	1	8 1/2	5 3/16	4 9/16	15/16	1 3/4										
	3 7/16	ZAS930772			57.00	ZA930772			49.30																				
	80.00	ZAS9080MM72			361.95	53.98			26.00											ZA9080MM72	361.95	53.98	22.30	104.78	276.23	127.00	104.78	25.00	215.90

Continued...



Continued...

Bearing Dimensions

Size Code	Shaft Diameter	Expansion					Fixed					A Base to Centerline Height	B Distance Between Bolt Holes	G Bolt Hole Spacing (Width)	D	E	F Bolts	M	N	P	Approx. Weight
		Part Number	C	H	L	S	Part Number	C	H	L	S										
Four-Bolt Pillow Block																					
7	1 15/16	ZAS9115F72	8 7/8	1 5/8	5	13/16	ZA9115F72	8 7/8	1 5/8	5	13/16	2 1/2	6 3/4	1 11/16	3 5/32	3 1/4	1/2	2 31/32	2 5/8	19/32	16.00
	2	ZAS9200F72					ZA9200F72														
	45.00	ZAS9045MMF72	225.40	41.30	127.00	20.60	ZA9045MMF72	225.40	41.30	127.00	20.60	63.50	171.40	42.90	80.17	82.60	12.00	75.40	66.68	15.08	7.3
	50.00	ZAS9050MMF72					ZA9050MMF72														
8	2 3/16	ZAS9203F72	9 1/4	1 3/4	5 1/2	13/16	ZA9203F72	9 1/4	1 3/4	5 1/2	13/16	2 3/4	7 1/8	1 3/4	3 11/32	3 3/8	1/2	3 3/8	2 29/32	23/32	20.00
	55.00	ZAS9055MMF72	235.00	44.40	139.70	20.60	ZA9055MMF72	235.00	44.40	139.70	20.60	69.85	181.00	44.40	84.93	85.70	12.00	85.73	73.81	18.26	9.3
9	2 7/16	ZAS9207F72	10 7/16	2 1/4	6 7/16	15/16	ZA9207F72	10 7/16	2 1/4	6 7/16	15/16	3 1/4	8 1/8	1 7/8	3 3/4	3 3/4	5/8	3 5/8	3 3/8	5/8	29.00
	2 1/2	ZAS9208F72					ZA9208F72														
10	2 11/16	ZAS9211F72	13	2 1/4	7 1/2	1 1/2	ZA9211F72	13	2 1/4	7 1/2	1 1/2	3 3/4	10	2	4 1/4	4 1/8	3/4	4 13/32	3 31/32	13/16	48.00
	2 15/16	ZAS9215F72					ZA9215F72														
	75.00	ZAS9075MMF72					330.20														
11	3 3/16	ZAS9303F72	15 1/4	2 5/8	8 1/2	1 1/4	ZA9303F72	15 1/4	2 5/8	8 1/2	1 1/4	4 1/4	12 1/2	2 1/4	5	4 1/2	3/4	5 3/16	4 9/16	15/16	75.00
	3 7/16	ZAS9307F72					ZA9307F72														
	80.00	ZAS9080MMF72					387.40														

Additional Notes

- Please call 1-866-REXNORD for availability
- Lubrication fitting tap size 1/8" PT
- Base to centerline tolerance, +/- .005 in (+/- 0.13 mm)
- Expansion - is 3/8" for all size codes
- Seals - To specify G, K or M seal, replace "Z" in part number with "G", "K" or "M"
- Auxiliary end caps - available in all size codes except ZAS series
- For the Selection Guide, Load Ratings and Speed Limits, see the Spherical Roller Bearings Engineering section on pages 17 - 29.

Note: Dimensions subject to change. Certified dimensions of ordered material furnished on request.

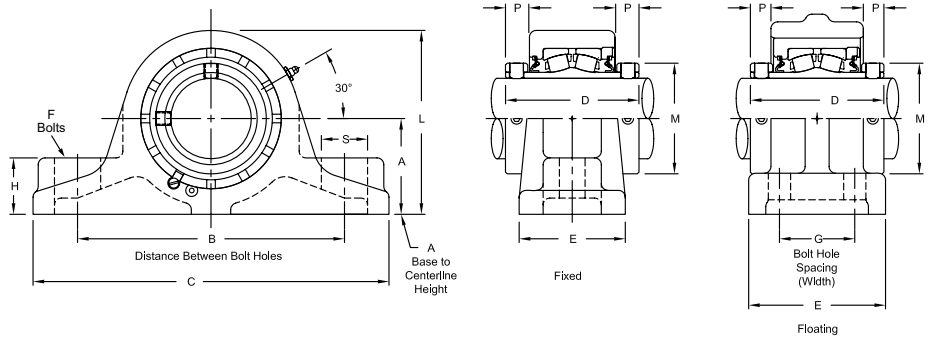
ZP5000, ZPS5000
Interchange: QAAPXT, QAAPX



Photo Shows a 2-Bolt Spherical Roller Bearing Pillow Block Unit

Product Features

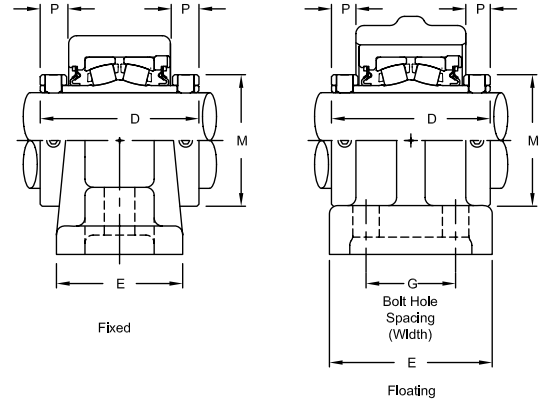
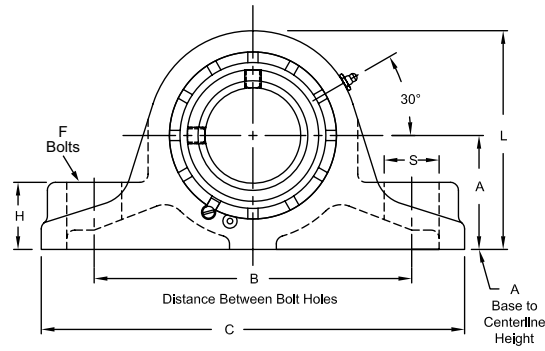
- Corrosion-resistant powder coating
- Cast iron housing
- Misalignment capabilities - total of 4°
- Broad range of sealing options
- Factory set clearance & lubrication
- Precision ground & superfinished raceways
- Two hardened spring locking collars
- Field interchangeable seals
- Fixed or Expansion - Up to 3/4" expansion
- See Features and Benefits for additional info on pages 10 - 13.



Bearing Dimensions

Size Code	Shaft Diameter	Expansion				Fixed				A Base to Centerline Height	B Distance Between Bolt Holes	G Bolt Hole Spacing (Width)	C	D	E	F Bolts	H	M	S	
		Part Number	L	P	Approx. Weight	Part Number	L	P	Approx. Weight											
Two-Bolt Pillow Block																				
4	1 7/16	ZPS5107	4 11/32	9/16	10.70	ZP5107	3 31/32	11/16	8.10	2 1/8	5 7/8	-	8 1/8	3 9/16	2 7/16	1/2	1 1/8	2 5/16	1 1/8	
		35.00	ZPS5035MM	110.31	14.29	4.90	ZP5035MM	100.79	17.46	3.70	59.98	149.23	-	206.38	90.49	61.91	13.00	28.58	58.74	28.58
5	1 1/2	ZPS5108	4 13/16	1/2	15.70	ZP5108	4 7/16	11/16	11.90	2 5/16	6 1/2	-	9	3 13/16	2 13/16	1/2	1 5/16	2 19/32	1 1/4	
		40.00			ZPS5040MM	7.10			ZP5040MM											5.40
		45.00	ZPS5045MM	122.24	12.70	6.80	ZP5045MM	112.71	17.46	5.20	58.74	165.10	-	228.60	96.84	71.44	13.00	33.34	65.88	31.75
		50.00	ZPS5115	4 15/16	9/16	16.10	ZP5115	4 3/4	11/16	13.40	2 1/2	7	-	9 3/4	3 13/16	2 7/8	5/8	1 7/16	2 7/8	1 1/4
6	2	ZPS5200	5 23/32	11/16	21.80	ZP5200	5 1/4	13/16	17.50	2 3/4	7 1/2	-	10 1/4	4 1/8	3 1/8	5/8	1 5/8	3 1/4	1 1/4	
		55.00			ZPS5055MM	145.24			17.46											9.80
		60.00	ZPS5207	6 3/16	3/4	25.90	ZP5207	5 3/4	7/8	21.20	3	8 1/4	-	11 1/4	4 3/8	3 3/8	3/4	1 3/4	3 9/16	1 3/8
		65.00	ZPS5065MM	157.16	19.05	11.20	ZP5065MM	146.05	22.23	9.00	76.20	209.55	-	285.75	111.13	85.73	19.00	44.45	90.50	34.93
9	2 1/2	ZPS5208	7 3/16	3/4	43.40	ZP5208	6 23/32	7/8	35.20	3 1/2	9 3/4	-	13	4 7/8	3 7/8	7/8	2 1/16	4 1/16	1 5/8	
		70.00			ZPS5211F	42.50			ZP5211F											33.90
		75.00			ZPS5215	40.40			ZP5215											32.60
		70.00	ZPS5070MM	182.56	19.05	19.20	ZP5070MM	170.64	22.23	15.40	88.90	247.65	-	330.20	123.83	98.43	22.00	52.39	103.20	41.28
		75.00	ZPS5075MM	18.70	ZP5075MM	15.00														
Four-Bolt Pillow Block																				
6	1 15/16	ZPS5115F	5 5/32	9/16	17.70	ZP5115F	5	11/16	15.80	2 1/2	7	2 1/4	9 3/4	3 13/16	4	5/8	1	2 7/8	1 1/4	
		50.00	ZPS5050MMMF	130.96	14.29	8.00	ZP5050MMMF	127.00	17.46	7.20	63.50	177.80	57.15	247.65	96.84	101.60	16.00	25.40	73.03	31.75
7	2	ZPS5200F	5 23/32	11/16	22.10	ZP5200F	5 1/2	13/16	19.60	2 3/4	7 1/2	2 1/4	10 1/4	4 1/8	4 1/8	5/8	1	3 1/4	1 1/4	
		23.70			ZP5203F	21.70			ZP5203F											18.80
		55.00	ZPS5055MMMF	145.24	17.46	9.80	ZP5055MMMF	39.70	20.64	8.50	69.85	190.50	57.15	260.35	104.78	104.78	16.00	25.40	82.60	31.75
8	2 7/16	ZPS5207F	6 7/32	3/4	27.40	ZP5207F	6	7/8	24.40	3	8 1/4	2 5/8	11 1/4	4 3/8	4 1/2	5/8	1 1/8	3 9/16	1 1/4	
		60.00	ZPS5060MMMF	12.40	ZP5060MMMF	11.00														
		65.00	ZPS5065MMMF	157.94	19.05	12.00	ZP5065MMMF	152.40	22.23	10.50	76.20	209.55	66.68	285.75	111.13	114.30	16.00	28.58	90.50	31.75
9	2 1/2	ZPS5208F	7 5/16	3/4	44.20	ZP5208F	7 1/16	7/8	38.20	3 1/2	9 3/4	2 3/4	13	4 7/8	5	3/4	1 3/8	4 1/16	1 1/2	
		70.00			ZPS5211F	43.40			ZP5211F											37.20
		75.00	ZPS5215F	41.80	ZP5215F	35.10														
		70.00	ZPS5070MMMF	185.74	19.05	19.20	ZP5070MMMF	170.39	22.23	16.90	88.90	247.65	69.85	330.20	123.83	127.00	19.00	34.93	103.20	38.10
	75.00	ZPS5075MMMF	16.50	ZP5075MMMF	16.50															
10	3 3/16	ZPS5303F	8 3/8	13/16	59.00	ZP5303F	8 1/8	15/16	52.00	4	11 1/2	3	15	5 5/16	5	3/4	1 1/2	4 29/32	1 1/2	
		37.70			ZPS5307F	57.00			ZP5307F											51.00

Continued...



Continued...

Bearing Dimensions

Size Code	Shaft Diameter	Expansion			Fixed			A Base to Centerline Height	B Distance Between Bolt Holes	G Bolt Hole Spacing (Width)	C	D	E	F Bolts	H	M	S																
		Part Number	L	P	Approx. Weight	Part Number	L											P	Approx. Weight														
Four-Bolt Pillow Block (continued)																																	
10	80.00	ZPS5080MMF			26.80	ZP5080MMF			23.50	101.60	292.10	76.20	381.00	134.94	127.00	19.00	38.10	124.62	38.10														
	85.00	ZPS5085MMF	212.73	20.64	26.30	ZP5085MMF	206.38	23.81	23.00																								
	90.00	ZPS5090MMF			25.80	ZP5090MMF			22.50																								
11	3 11/16	ZPS5311F	10 1/4	29/32	98.00	ZP5311F	9 7/8	1 1/32	86.00	5	13 1/4	3 1/2	16 3/4	6 1/8	6	7/8	1 1/2	5 5/8	1 1/2														
	3 15/16	ZPS5315F			96.00	ZP5315F			84.00																								
	4	ZPS5400F			95.00	ZP5400F			83.00																								
	100.00	ZPS5100MMF			260.35	23.01			43.50											ZP5100MMF	250.83	26.19	38.00	127.00	336.55	88.90	425.45	155.58	152.40	22.00	38.10	142.90	336.55
12	4 3/16	ZPS5403YF	11 5/8	7/8	122.00	ZP5403YF	11 1/4	1 1/16	110.00	5 3/4	14 3/4	4	18 1/2	6 1/4	6 3/4	1	1 3/4	6 3/16	1 13/16														
	4 7/16	ZPS5407YF			119.00	ZP5407YF			108.00																								
	4 1/2	ZPS5408YF			118.00	ZP5408YF			107.00																								
	110.00	ZPS5110MMF			295.28	22.23			54.00											ZP5110MMF	285.75	26.99	49.00	146.05	374.65	101.60	469.90	158.75	171.45	25.00	44.45	157.16	46.04
13	4 15/16	ZPS5415F	13 1/8	15/16	206.00	ZP5415F	12 1/2	1 5/32	171.00	6 1/8	16	4 1/4	20 1/4	7 7/8	7 1/2	1 1/8	1 7/8	7 1/16	2														
	5	ZPS5500F			203.00	ZP5500F			168.00																								
	125.00	ZPS5125MMF			333.38	23.81			93.00											ZP5125MMF	317.50	29.37	78.00	155.58	406.40	107.95	514.35	200.03	190.50	28.00	47.63	179.39	50.80
	130.00	ZPS5130MMF							77.00											ZP5130MMF			92.00										
14	5 7/16	ZPS5507F	14 3/8	1 3/32	226.00	ZP5507F	14	1 7/32	211.00	6 11/16	18 5/16	3 11/16	22	8	6 1/4	1 1/8	2	8 3/16	2 1/16														
	140.00	ZPS5140MMF			365.13	27.76			102.00											ZP5140MMF	355.60	30.96	96.00	169.86	465.14	93.66	558.80	203.20	158.75	28.00	50.80	207.96	52.39
	5 15/16	ZPS5515F			274.00	ZP5515F			255.00																								
15	6	ZPS5600F	15 3/32	1 1/16	273.00	ZP5600F	14 3/4	1 5/32	254.00	7 1/16	20 1/2	4 3/16	24 3/4	8 1/8	6 3/4	1 1/8	2 1/8	8 5/8	2 1/4														
	150.00	ZPS5150MMF			383.39	26.99			124.00											ZP5150MMF	374.65	29.37	115.00	179.39	520.70	106.36	628.65	206.38	171.45	28.00	53.98	219.08	57.15
	160.00	ZPS5160MMF							123.00											ZP5160MMF			114.00										
16	6 7/16	ZPS5607F	16 3/4	1 3/16	366.00	ZP5607F	16 5/16	1 9/32	339.00	7 7/8	23	4 7/16	28	8 3/4	7 1/2	1 1/4	2 3/8	9 23/32	2 5/16														
	6 15/16	ZPS5615F			352.00	ZP5615F			328.00																								
	7	ZPS5700F			348.00	ZP5700F			326.00																								
	180.00	ZPS5180MMF			425.45	30.16			157.00											ZP5180MMF	414.34	32.54	148.00	200.03	584.20	112.71	711.20	222.25	190.50	32.00	60.33	246.86	58.74

Additional Notes

Please call 1-866-REXNORD for availability
 Metric bore sizes available, see the Rex Interchangeability guide
 Lubrication fitting tap size: for size code 4 thru 11, 1/8" PT; for all other size codes, 1/4" PT
 Base to centerline tolerance, +/- .005 in (+/- 0.13 mm)
 Bore size = nominal shaft size +.001 in/- .000 in (+0.03 mm/-0.00 mm)
 Expansion - size code 4 thru 8 is 3/8", size code 9 thru 11 is 1/2" & size code 12 thru 16 is 3/4"

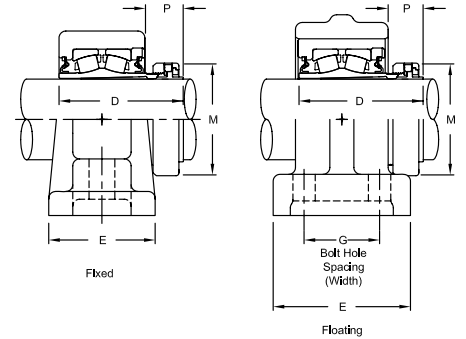
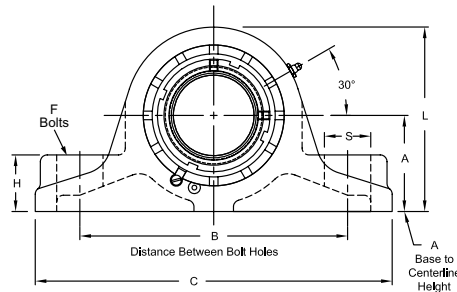
Seals - To specify G, K or M seal, replace "Z" in part number with "G", "K" or "M"
 "K" seals only available in size codes 4 thru 11
 "G" seals available in size codes 3 thru 13
 Auxiliary end caps - available in all sizes
 For the Selection Guide, Load Ratings and Speed Limits, see the Spherical Roller Bearings Engineering section on pages 17 - 29.
 Note: Dimensions subject to change. Certified dimensions of ordered material furnished on request.

ZP6000, ZPS6000

Interchange: QVVPXT, QVVPX



Photo Shows a 2-Bolt Spherical Roller Bearing Pillow Block Unit



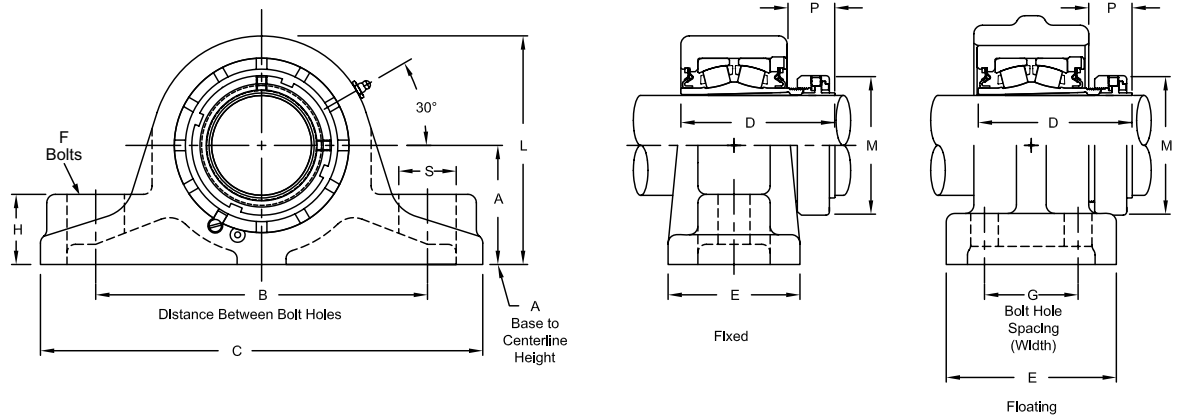
Product Features

- Positive locking system
- Tapered adapter sleeve
- Corrosion-resistant powder coating
- Cast iron housing
- Misalignment capabilities - total of 4°
- Broad range of sealing options
- Factory set clearance & lubrication
- Precision ground & superfinished raceways
- See Features and Benefits for additional info on pages 10 - 13.

Bearing Dimensions

Size Code	Shaft Diameter	Expansion			Fixed			A Base to Centerline Height	B Distance Between Bolt Holes	G Bolt Hole Spacing (Width)	C	D	E	F Bolts	H	M	S				
		Part Number	L	P	Approx. Weight	Part Number	L											P	Approx. Weight		
Two-Bolt Pillow Block																					
4	1 7/16	ZPS6107	4 11/32	1 9/64	10.20	ZP6107	3 11/16	1 9/64	7.60	2 1/8	5	-	8 1/8	3 21/64	2 7/16	1/2	1 1/8	2 25/64	1 1/8		
	35.00	ZPS6035MM	110.33	28.97	4.60	ZP6035MM	93.66	28.97	3.40	53.98	127.00	-	206.38	84.53	61.91	13.00	28.58	60.72	28.58		
5	1 11/16	ZPS6111	4 13/16	1 9/32	15.10	ZP6111	4 7/16	1 9/32	11.00	2 5/16	5 1/2	-	9	3 47/64	2 13/16	1/2	1 5/16	2 41/64	1 1/4		
	40.00	ZPS6040MM	122.24	32.54	6.80	ZP6040MM	112.71	32.54	5.00	58.74	139.70	-	228.60	94.85	71.44	13.00	33.34	67.07	31.75		
6	1 15/16	ZPS6115	4 15/16	1	16.10	ZP6115	4 3/4	1 1/8	13.40	2 1/2	7	-	9 3/4	3 41/64	2 7/8	5/8	1 7/16	2 55/64	1 1/4		
	45.00	ZPS6045MM	125.41	25.40	16.10	ZP6045MM	120.65	28.58	13.40	63.50	177.80	-	247.65	92.47	73.02	16.00	36.51	72.63	31.75		
7	2 3/16	ZPS6203	5 23/32	1 1/32	21.80	ZP6203	5 1/4	1 5/32	17.50	2 3/4	7 1/2	-	10 1/4	3 11/16	3 1/8	5/8	1 5/8	3 15/64	1 1/4		
	50.00	ZPS6050MM	-	-	-	ZP6050MM	-	-	-	-	-	-	-	-	-	-	-	-	-		
	55.00	ZPS6055MM	145.24	26.19	9.80	ZP6055MM	133.35	29.37	7.60	69.85	190.50	-	260.35	93.66	79.38	16.00	41.28	82.15	31.75		
8	2 3/8	ZPS6206	-	-	25.90	ZP6206	-	-	22.20	-	-	3	8 1/4	-	11 1/4	4 1/16	3 3/8	3/4	1 3/4	3 19/32	1 3/8
	2 7/16	ZPS6207	6 3/16	1 19/64	24.90	ZP6207	5 3/4	1 27/64	21.20	-	-	-	-	-	-	-	-	-	-	-	
	60.00	ZPS6060MM	157.16	32.94	11.70	ZP6060MM	146.05	36.12	9.60	76.20	209.55	-	285.75	103.19	85.73	19.00	44.45	91.28	34.93		
9	2 11/16	ZPS6211	-	-	43.40	ZP6211	-	-	35.20	-	-	-	-	-	-	-	-	-	-		
	2 3/4	ZPS6212	7 3/16	1 17/64	42.40	ZP6212	6 23/32	1 25/64	34.20	3 1/2	9 3/4	-	13	4 17/32	3 7/8	7/8	2 1/16	4 3/32	1 5/8		
	2 15/16	ZPS6215	-	-	42.50	ZP6215	-	-	33.90	-	-	-	-	-	-	-	-	-	-		
	65.00	ZPS6065MM	-	-	19.20	ZP6065MM	-	-	15.40	-	-	-	-	-	-	-	-	-	-		
	70.00	ZPS6070MM	182.56	32.16	-	ZP6070MM	170.64	35.32	-	88.90	247.65	-	330.20	115.09	98.43	22.00	52.39	103.98	41.28		
75.00	ZPS6075MM	-	-	18.70	ZP6075MM	-	-	15.00	-	-	-	-	-	-	-	-	-	-			
Four-Bolt Pillow Block																					
6	1 15/16	ZPS6115F	5 5/32	1	17.70	ZP6115F	5	1 1/8	15.80	2 1/2	7	2 1/4	9 3/4	3 41/64	4	5/8	1	2 55/64	1 1/4		
	45.00	ZPS6045MMF	130.96	25.40	17.70	ZP6045MMF	127.00	28.58	15.80	63.50	177.80	57.15	247.65	92.47	101.60	16.00	25.40	72.63	31.75		
7	2 3/16	ZPS6203F	5 23/32	1 1/32	22.10	ZP6203F	5 1/2	1 5/32	19.60	2 3/4	7 1/2	2 1/4	10 1/4	3 11/16	4 1/8	5/8	1	3 15/64	1 1/4		
	50.00	ZPS6050MMF	-	-	9.80	ZP6050MMF	-	-	8.50	-	-	-	-	-	-	-	-	-	-		
	55.00	ZPS6055MMF	145.24	26.19	9.80	ZP6055MMF	39.70	29.37	8.50	69.85	190.50	57.15	260.35	93.66	104.78	16.00	25.40	82.15	31.75		
8	2 3/8	ZPS6206F	-	-	28.40	ZP6206F	-	-	25.40	-	-	3	8 1/4	2 5/8	11 1/4	4 1/16	4 1/2	5/8	1 1/8	3 19/32	1 1/4
	2 7/16	ZPS6207F	6 7/32	1 19/64	27.40	ZP6207F	6	1 27/64	24.40	-	-	-	-	-	-	-	-	-	-		
	60.00	ZPS6060MMF	157.94	32.94	12.40	ZP6060MMF	152.40	36.12	11.00	76.20	209.55	66.68	285.75	103.19	114.30	16.00	28.58	91.28	31.75		
9	2 11/16	ZPS6211F	-	-	44.20	ZP6211F	-	-	38.20	-	-	-	-	-	-	-	-	-	-		
	2 3/4	ZPS6212F	7 5/16	1 17/64	42.50	ZP6212F	7 1/16	1 25/64	36.50	3 1/2	9 3/4	2 3/4	13	4 17/32	5	3/4	1 3/8	4 3/32	1 1/2		
	2 15/16	ZPS6215F	-	-	43.40	ZP6215F	-	-	37.20	-	-	-	-	-	-	-	-	-	-		
	65.00	ZPS6065MMF	-	-	19.70	ZP6065MMF	-	-	16.90	-	-	-	-	-	-	-	-	-	-		
	70.00	ZPS6070MMF	185.74	32.16	-	ZP6070MMF	170.39	35.32	-	88.90	247.65	69.85	330.20	115.09	127.00	19.00	34.93	103.98	38.10		
75.00	ZPS6075MMF	-	-	19.20	ZP6075MMF	-	-	16.50	-	-	-	-	-	-	-	-	-	-			

Continued...



Continued...

Bearing Dimensions

Size Code	Shaft Diameter	Expansion			Fixed			A Base to Centerline Height	B Distance Between Bolt Holes	G Bolt Hole Spacing (Width)	C	D	E	F Bolts	H	M	S												
		Part Number	L	P	Approx. Weight	Part Number	L											P	Approx. Weight										
Four-Bolt Pillow Block (continued)																													
10	3 3/16	ZPS6303F	8 3/8	1 15/32	59.00	ZP6303F	8 1/8	1 19/32	52.00	4	11 1/2	3	15	5 1/32	5	3/4	1 1/2	4 61/64	1 1/2										
	3 7/16	ZPS6307F			57.00	ZP6307F			51.00																				
	80.00	ZPS6080MMF	212.73	37.29	26.80	ZP6080MMF	206.38	40.48	23.50											101.60	292.10	76.20	381.00	127.79	127.00	19.00	38.10	125.81	38.10
11	3 11/16	ZPS6311F	10 1/4	1 39/64	98.00	ZP6311F	9 7/8	1 47/64	86.00	5	13 1/4	3 1/2	16 3/4	5 25/32	6	7/8	1 1/2	5 43/64	1 1/2										
	3 15/16	ZPS6315F			96.00	ZP6315F			84.00																				
	90.00	ZPS6090MMF	260.35	40.87	43.50	ZP6090MMF	250.83	44.05	38.00											127.00	336.55	88.90	425.45	146.84	152.40	22.00	38.10	144.07	
12	4 3/16	ZPS6403YF	11 5/8	1 3/4	122.00	ZP6403YF	11 1/4	1 7/8	110.00	5 3/4	14 3/4	4	18 1/2	6 1/4	6 3/4	1	1 3/4	6 1/16	1 13/16										
	4 7/16	ZPS6407YF			119.00	ZP6407YF			118.00																				
	110.00	ZPS6110MMF	295.28	44.45	54.00	ZP6110MMF	285.75	47.63	49.00											146.05	374.65	101.60	469.90	158.75	171.45	25.00	44.45	153.99	46.04
13	4 15/16	ZPS6415F	13 1/8	2 1/64	206.00	ZP6415F	12 1/2	2 1/4	171.00	6 1/8	16	4 1/4	20 1/4	7 15/16	7 1/2	1 1/8	1 7/8	6 61/64	2										
	115.00	ZPS6115MMF	333.38	51.20	93.00	ZP6115MMF	317.50	57.15	78.00											155.58	406.40	107.95	514.35	201.61	190.50	28.00	47.63	176.61	50.80
	125.00	ZPS6125MMF				ZP6125MMF																							
14	5 7/16	ZPS6507F	14 3/8	2 15/16	226.00	ZP6507F	14	3 3/64	211.00	6 11/16	18 5/16	3 11/16	-	8 49/64	6 1/4	1 1/8	2	8 1/64	2 1/16										
	5 15/16	ZPS6515F	15 5/32	3 23/64	274.00	ZP6515F	14 3/4	3 7/16	255.00											7 1/16	20 1/2	4 3/16	-	9 19/64	6 3/4	1 1/8	2 1/8	8 21/32	2 1/4
	6 7/16	ZPS6607F				ZP6607F																							
16	6 1/2	ZPS6608F	16 3/4	3 37/64	366.00	ZP6608F	16 5/16	3 43/64	339.00	7 7/8	23	4 7/16	-	10	7 1/2	1 1/4	2 3/8	9 3/4	2 5/16										
	6 15/16	ZPS6615F			352.00	ZP6615F			328.00																				

Additional Notes

- Please call 1-866-REXNORD for availability
- Metric bore sizes available, see the Rex Interchangeability guide
- Lubrication fitting tap size: for size code 6 thru 11, 1/8" PT; for all other size codes, 1/4" PT
- Base to centerline tolerance, +/- .005 in (+/- 0.13 mm)
- Expansion - size code 6 thru 8 is 3/8", size code 9 thru 11 is 1/2" & size code 12 thru 13 is 3/4"
- Seals - To specify G, K or M seal, replace "Z" in part number with "G", "K" or "M"

- "K" seals only available in size codes 3 thru 11
- "G" seals available in size codes 3 thru 13
- Auxiliary end caps - available in all sizes
- For the Selection Guide, Load Ratings and Speed Limits, see the Spherical Roller Bearings Engineering section on pages 17 - 29.
- Note: Dimensions subject to change. Certified dimensions of ordered material furnished on request.

ZP9000, ZPS9000

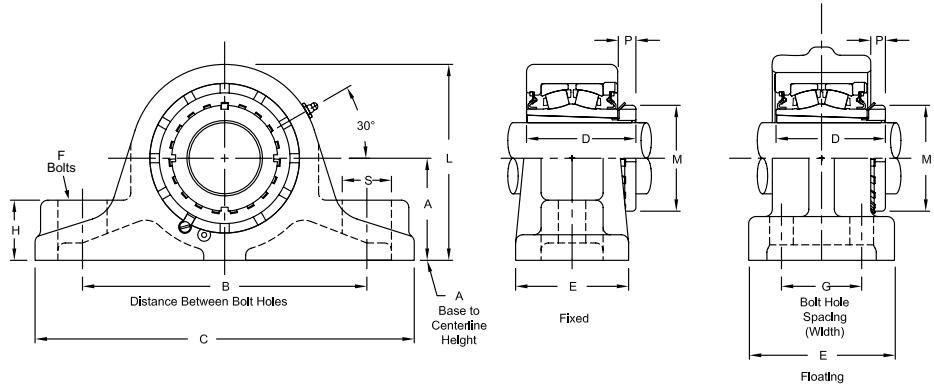
Interchange: QVVPKT, QVVPK, TAPKT, TAPK



Photo Shows a 2-Bolt Spherical Roller Bearing Pillow Block Unit

Product Features

- Corrosion-resistant powder coating
- Cast iron housing
- Misalignment capabilities - total of 4°
- Broad range of sealing options
- Factory set clearance & lubrication
- Precision ground & superfinished raceways
- Enhanced life mounting style
- Field interchangeable seals
- Fixed or Expansion - Up to 3/4" expansion
- See Features and Benefits for additional info on pages 10 - 13.



Bearing Dimensions

Size Code	Shaft Diameter	Expansion			Fixed			A Base to Centerline Height	B Distance Between Bolt Holes	G Bolt Hole Spacing (Width)	C	D	E	F Bolts	H	M	S												
		Part Number	L	P	Approx. Weight	Part Number	L											P	Approx. Weight										
Two-Bolt Pillow Block																													
7	1 15/16	ZPS9115	5 23/32	1/2	20.50	ZP9115	5 1/4	19/32	16.00	2 3/4	7 1/2	-	10 1/4	3 5/32	3 1/8	5/8	1 5/8	2 31/32	1 1/4										
	2	ZPS9200			20.30	ZP9200			15.90																				
	45.00	ZPS9045MM	145.24	9.30	ZP9045MM	133.35	15.08	7.00	69.85											190.50	-	260.35	80.17	79.38	16.00	41.28	75.40	31.75	
	50.00	ZPS9050MM	157.16	15.09	11.20	ZP9055MM	146.05	18.26	9.10											76.20	209.55	-	285.75	84.93	85.73	19.00	44.45	85.73	34.93
8	2 3/16	ZPS9203	6 3/16	19/32	24.80	ZP9203	5 3/4	23/32	20.10	3	8 1/4	-	11 1/4	3 11/32	3 3/8	3/4	1 3/4	3 3/8	1 3/8										
	55.00	ZPS9055MM	157.16	15.09	11.20	ZP9055MM	146.05	18.26	9.10	76.20	209.55	-	285.75	84.93	85.73	19.00	44.45	85.73	34.93										
9	2 7/16	ZPS9207	7 3/16	19/32	40.60	ZP9207	6 23/32	5/8	32.20	3 1/2	9 3/4	-	13	3 3/4	3 7/8	7/8	2 1/16	3 5/8	1 5/8										
	2 1/2	ZPS9208			40.50	ZP9208			31.90																				
Four-Bolt Pillow Block																													
7	1 15/16	ZPS9115F	5 23/32	1/2	20.50	ZP9115F	5 1/2	19/32	18.10	2 3/4	7 1/2	2 1/4	10 1/4	3 5/32	4 1/8	5/8	1	2 31/32	1 1/4										
	2	ZPS9200F			20.30	ZP9200F			17.90																				
	45.00	ZPS9045MMF	145.24	9.30	ZP9045MMF	133.35	15.08	8.20	69.85											190.50	57.15	260.35	80.17	104.78	16.00	25.40	75.40	31.75	
	50.00	ZPS9050MMF	157.16	15.09	12.10	ZP9055MMF	152.40	18.26	10.30											76.20	209.55	66.68	285.75	84.93	114.30	16.00	28.58	85.73	31.75
8	2 3/16	ZPS9203F	6 7/32	19/32	26.70	ZP9203F	6	23/32	22.80	3	8 1/4	2 5/8	11 1/4	3 11/32	4 1/2	5/8	1 1/8	3 3/8	1 1/4										
	55.00	ZPS9055MMF	157.16	15.09	12.10	ZP9055MMF	152.40	18.26	10.30	76.20	209.55	66.68	285.75	84.93	114.30	16.00	28.58	85.73	31.75										
9	2 7/16	ZPS9207F	7 5/16	19/32	41.80	ZP9207F	7 1/16	5/8	35.40	3 1/2	9 3/4	2 3/4	13	3 3/4	5	3/4	1 3/8	3 5/8	1 1/2										
	2 1/2	ZPS9208F			41.70	ZP9208F			34.60																				
10	2 11/16	ZPS9211F	8 3/8	11/16	56.00	ZP9211F	8 1/8	13/16	51.20	4	11 1/2	3	15	4 1/4	5	3/4	1 1/2	4 13/32	1 1/2										
	2 15/16	ZPS9215F			55.00	ZP9215F			50.00																				
	75.00	ZPS9075MMF	212.73	17.47	25.00	ZP9075MMF	206.38	20.64	23.00											101.60	292.10	76.20	381.00	107.95	127.00	19.00	38.10	111.92	38.10
11	3 3/16	ZPS9303F	10 1/4	13/16	95.00	ZP9303F	9 7/8	15/16	83.00	5	13 1/4	3 1/2	16 3/4	5	6	7/8	1 1/2	5 3/16	1 1/2										
	3 7/16	ZPS9307F			93.00	ZP9307F			81.00																				
	80.00	ZPS9080MMF	260.35	20.64	42.00	ZP9080MMF	250.83	23.81	36.70											127.00	336.55	88.90	425.45	127.00	152.40	22.00	38.10	131.76	336.55
	3 11/16	ZPS9311YF			121.00	ZP9311YF			110.00																				
12	3 15/16	ZPS9315YF	11 5/8	29/32	119.00	ZP9315YF	11 1/4	1 1/32	108.00	5 3/4	14 3/4	4	18 1/2	5 17/32	6 3/4	1	1 3/4	5 23/32	1 13/16										
	4	ZPS9400YF			118.00	ZP9400YF			107.00																				
	100.00	ZPS9100MMF	295.28	23.01	53.00	ZP9100MMF	285.75	23.01	49.00											146.05	374.65	101.60	469.90	140.49	171.45	25.00	44.45	145.26	46.04
13	4 3/16	ZPS9403F	13 1/8	29/32	204.00	ZP9403F	12 1/2	1 1/8	174.00	6 1/8	16	4 1/4	20 1/4	6 3/4	7 1/2	1 1/8	1 7/8	6 1/8	2										
	4 7/16	ZPS9407F			202.00	ZP9407F			168.00																				
14	4 15/16	ZPS9415F	14 3/8	1 5/32	222.00	ZP9415F	14	1 1/8	202.00	6 11/16	18 5/16	3 11/16	22	7 1/16	6 1/4	1 1/8	2	7 3/32	2 1/16										
	5	ZPS9500F			220.00	ZP9500F			201.00																				
15	5 3/16	ZPS9503F	15 3/32	1 3/8	273.00	ZP9503F	14 3/4	1 5/16	254.00	7 1/16	20 1/2	4 3/16	24 3/4	7 5/16	6 3/4	1 1/8	2 1/8	8 1/16	2 1/16										
	5 7/16	ZPS9507F			269.00	ZP9507F			250.00																				
16	5 15/16	ZPS9515F	16 3/4	1 3/4	350.00	ZP9515F	16 5/16	1 11/16	328.00	7 7/8	23	4 7/16	28	7 3/4	7 1/2	1 1/4	2 3/8	9 1/16	2 5/16										
	6	ZPS9600F			349.00	ZP9600F			327.00																				
	6 7/16	ZPS9607F	342.00	ZP9607F	320.00																								

Additional Notes

- Please call 1-866-REXNORD for availability
- Lubrication fitting tap size: for size code 7 thru 11, 1/8" PT; for all other size codes, 1/4" PT
- Base to centerline tolerance, +/- .005 in (+/- 0.13 mm)
- Expansion - size code 7 thru 8 is 3/8", size code 9 thru 11 is 1/2" & size code 12 thru 16 is 3/4"
- Seals - To specify G, K or M seal, replace "Z" in part number with "G", "K" or "M"

"K" seals only available in size codes 7 thru 11

"G" seals available in size codes 3 thru 13

Auxiliary end caps - available in all sizes

For the Selection Guide, Load Ratings and Speed Limits, see the Spherical Roller Bearings Engineering section on pages 17 - 29.

Note: Dimensions subject to change. Certified dimensions of ordered material furnished on request.

ZEP2000, ZEPS2000

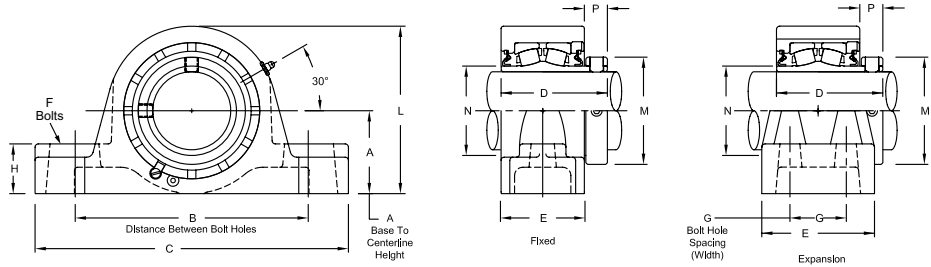
Interchange: EP2BS2, P2BE, EP4BS2, P4BE, (F)SYE, USRBE5000, (E)RPBA, QAP, QAPR, EP2BTRB, EP4BTRB



Photo Shows a 2-Bolt Spherical Roller Bearing Pillow Block Unit

Product Features

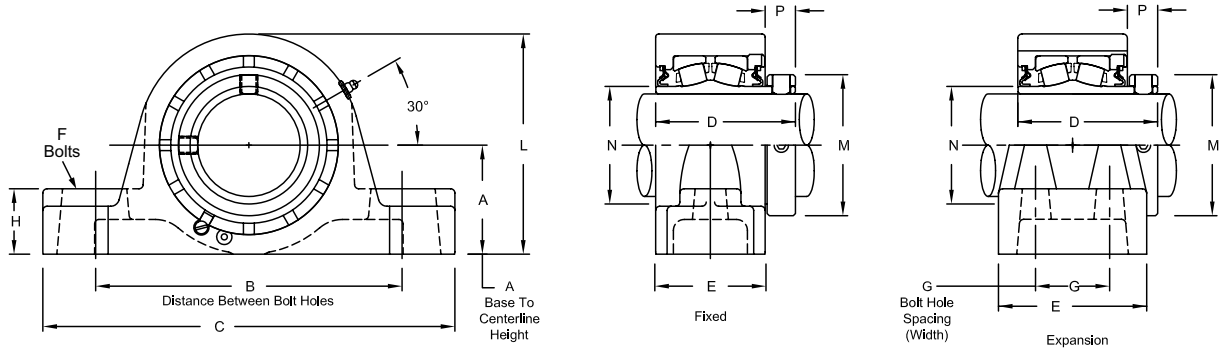
- Corrosion-resistant powder coating
 - Cast iron housing
 - Misalignment capabilities - total of 4°
 - Broad range of sealing options
 - Factory set clearance & lubrication
 - Precision ground & superfinished raceways
 - Hardened spring locking collar
 - Field interchangeable seals
- See Features and Benefits for additional info on pages 10 - 13.



Bearing Dimensions

Size Code	Shaft Diameter	Expansion		A Base to Centerline Height	B Distance Between Bolt Holes		G Bolt Hole Spacing (Width)	C	D	E	F Bolts	H	L	M	N	P	Approx. Weight
		Part Number	Part Number		Min.	Max.											
Two-Bolt Pillow Block																	
3	1 1/8	-	ZEP2102	1 1/2	4 7/16	5	-	6 3/8	2 11/16	2 1/8	1/2	7/8	3 1/4	1 31/32	1 17/32	9/16	5.80
	1 3/16	-	ZEP2103														5.70
	1 1/4	-	ZEP2104														2.60
	30.00	-	ZEP2030MM	38.10	112.71	127.00	-	161.93	68.26	53.98	13.00	22.23	82.55	50.00	38.890	14.29	6.90
4	1 7/16	ZEPS2107	ZEP2107	1 7/8	4 3/4	6	-	7 3/8	2 7/8	2 1/4	1/2	1 1/8	3 7/8	2 5/16	1 3/4	1 1/16	6.90
	1 1/2	-	ZEP2108	2 1/8	5 1/4	6 1/2	-	7 7/8	2 7/8	2 1/4	1/2	1 1/4	4 3/8	2 5/16	1 3/4	1 1/16	9.50
	35.00	ZEPS2035MM	ZEP2035MM	47.63	120.65	152.40	-	187.33	73.02	57.15	13.00	28.58	98.43	58.74	44.450	17.46	3.10
5	1 11/16	ZEPS2111	ZEP2111	2 1/8	5 1/4	6 1/2	-	7 7/8	3 1/8	2 1/2	1/2	1 1/4	4 3/8	2 19/32	2 1/32	1 1/16	9.90
	1 3/4	-	ZEP2112	2 1/4	6 1/16	7 1/4	-	8 7/8	3 1/8	2 1/2	5/8	1 5/16	4 9/16	2 19/32	2 1/32	1 1/16	11.80
	40.00	ZEPS2040MM	ZEP2040MM	53.98	133.35	165.10	-	200.03	79.38	63.50	13.00	31.75	111.13	65.88	51.590	17.46	4.50
	45.00	ZEPS2045MM	ZEP2045MM	57.15	153.99	184.15	-	225.43	79.38	63.50	16.00	33.34	115.89	65.88	51.590	17.46	5.40
6	1 15/16	ZEPS2115	ZEP2115	2 1/4	6 1/16	7 1/4	-	8 7/8	3 1/8	2 1/2	5/8	1 5/16	4 9/16	2 7/8	2 5/16	1 1/16	11.50
	2	ZEPS2200	ZEP2200														11.40
	50.00	ZEPS2050MM	ZEP2050MM														57.15
7	2 3/16	ZEPS2203	ZEP2203	2 1/2	6 9/16	8	-	9 9/8	3 5/16	2 9/16	5/8	1 1/2	5	3 1/4	2 5/8	1 13/16	14.80
	2 1/4	-	ZEP2204	2 3/4	6 15/16	8 3/4	-	10 1/2	3 5/16	2 9/16	5/8	1 5/8	5 7/16	3 1/4	2 5/8	7/8	18.60
	55.00	ZEPS2055MM	ZEP2055MM	63.50	166.69	203.20	-	244.48	84.14	65.09	16.00	38.10	127.00	82.60	66.680	20.64	6.70
8	2 3/8	ZEPS2206	ZEP2206	2 3/4	6 15/16	8 3/4	-	10 1/2	3 1/2	2 11/16	5/8	1 5/8	5 1/2	3 9/16	2 29/32	7/8	18.30
	2 7/16	ZEPS2207	ZEP2207														18.20
	2 1/2	ZEPS2208	ZEP2208														17.90
	60.00	ZEPS2060MM	ZEP2060MM	69.85	176.21	222.25	-	266.70	88.90	68.26	16.00	41.28	139.70	90.50	73.820	22.23	8.30
	65.00	ZEPS2065MM	ZEP2065MM	69.85	176.21	222.25	-	266.70	88.90	68.26	16.00	41.28	139.70	90.50	73.820	22.23	8.10
9	2 11/16	ZEPS2211	ZEP2211	3 1/8	7 13/16	9 3/4	-	11 13/16	4	3 3/16	3/4	1 7/8	6 5/16	4 1/16	3 3/8	7/8	29.30
	2 3/4	ZEPS2212	ZEP2212														28.80
	2 15/16	ZEPS2215	ZEP2215														27.70
	3	ZEPS2300	ZEP2300	27.50													
	70.00	ZEPS2070MM	ZEP2070MM	79.38	198.44	247.65	-	300.04	101.60	80.96	19.00	47.63	160.34	103.20	85.730	22.23	13.00
	75.00	ZEPS2075MM	ZEP2075MM	79.38	198.44	247.65	-	300.04	101.60	80.96	19.00	47.63	160.34	103.20	85.730	22.23	12.60
10	3 3/16	ZEPS2303	ZEP2303	3 3/4	9 5/16	11 5/16	-	13 13/16	4 3/8	3 1/2	7/8	2 1/4	7 1/2	4 29/32	3 31/32	15/16	44.50
	3 7/16	ZEPS2307	ZEP2307														42.50
	3 1/2	ZEPS2308	ZEP2308														42.00
	80.00	ZEPS2080MM	ZEP2080MM	95.25	236.54	287.34	-	350.84	111.13	88.90	22.00	57.15	190.50	124.62	100.790	23.81	20.40
	85.00	ZEPS2085MM	ZEP2085MM	95.25	236.54	287.34	-	350.84	111.13	88.90	22.00	57.15	190.50	124.62	100.790	23.81	19.40
	90.00	ZEPS2090MM	ZEP2090MM	95.25	236.54	287.34	-	350.84	111.13	88.90	22.00	57.15	190.50	124.62	100.790	23.81	18.90

Continued...



Continued...

Bearing Dimensions

Size Code	Shaft Diameter	Expansion		Fixed		A Base to Centerline Height	B Distance Between Bolt Holes		G Bolt Hole Spacing (Width)	C	D	E	F Bolts	H	L	M	N	P	Approx. Weight
		Part Number	Part Number	Min.	Max.														
Four-Bolt Pillow Block																			
8	2 3/8	ZEPS2206F	ZEP2206F	69.85	176.21	222.25	47.63	266.70	88.90	92.08	16.00	41.28	139.70	90.50	73.820	22.23	7/8		18.40
	2 7/16	ZEPS2207F	ZEP2207F																18.30
	2 1/2	ZEPS2208F	ZEP2208F																18.00
	60.00	ZEPS2060MMF	ZEP2060MMF																8.40
	65.00	ZEPS2065MMF	ZEP2065MMF																8.20
9	2 11/16	ZEPS2211F	ZEP2211F	79.38	198.44	250.83	53.98	300.04	101.60	107.95	16.00	47.63	160.34	103.20	85.730	22.23	7/8		28.50
	2 3/4	ZEPS2212F	ZEP2212F																28.30
	2 15/16	ZEPS2215F	ZEP2215F																27.30
	3	ZEPS2300F	ZEP2300F																27.00
	70.00	ZEPS2070MMF	ZEP2070MMF																12.90
	75.00	ZEPS2075MMF	ZEP2075MMF																12.50
10	3 3/16	ZEPS2303F	ZEP2303F	95.25	236.54	287.34	60.33	350.84	111.13	120.65	19.00	57.15	190.50	124.62	100.790	23.81	15/16		45.00
	3 7/16	ZEPS2307F	ZEP2307F																43.00
	3 1/2	ZEPS2308F	ZEP2308F																42.50
	80.00	ZEPS2080MMF	ZEP2080MMF																20.30
		85.00	ZEPS2085MMF																ZEP2085MMF
	90.00	ZEPS2090MMF	ZEP2090MMF																19.00
11	3 11/16	ZEPS2311F	ZEP2311F	107.95	304.80	330.20	57.15	387.35	128.59	114.30	19.00	66.68	219.08	142.90	115.890	26.19	1 1/32		63.00
	3 15/16	ZEPS2315F	ZEP2315F																61.00
	4	ZEPS2400F	ZEP2400F																60.00
	100.00	ZEPS2100MMF	ZEP2100MMF																27.70

Additional Notes

- Please call 1-866-REXNORD for availability
- Metric bore sizes available, see the Rex Interchangeability guide
- Lubrication fitting tap size, 1/8" PT
- Base to centerline tolerance, +/- .005 in (+/- 0.13 mm)
- Bore size = nominal shaft size + .001 in / -.000 in (+0.03 mm / -0.00 mm)
- Expansion - 3/8" all size codes
- Seals - To specify G, K or M seal, replace "Z" in part number with "G", "K" or "M"
- Auxiliary end caps - available in all size codes except for size code 3 and all expansion units

For the Selection Guide, Load Ratings and Speed Limits, see the Spherical Roller Bearings Engineering section on pages 17 - 29.

Note: Dimensions subject to change. Certified dimensions of ordered material furnished on request.

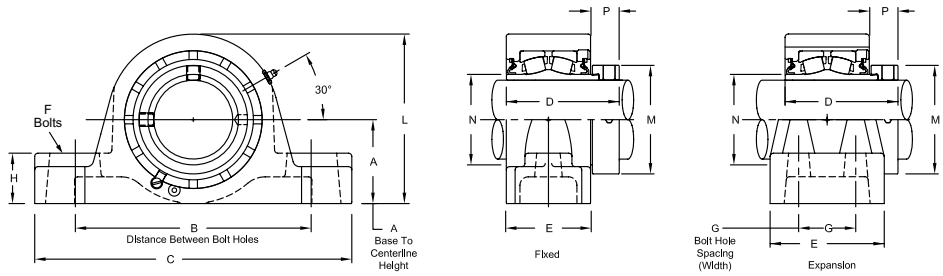
ZEP3000, ZEPS3000
Interchange: QMP, QMPR



Photo Shows a 2-Bolt Spherical Roller Bearing Pillow Block Unit

Product Features

- Corrosion-resistant powder coating
- Cast iron housing
- Misalignment capabilities - total of 4°
- Broad range of sealing options
- Factory set clearance & lubrication
- Precision ground & superfinished raceways
- Eccentric locking collar
- Field interchangeable seals
- See Features and Benefits for additional info on pages 10 - 13.



Bearing Dimensions

Size Code	Shaft Diameter	Expansion		Fixed		A Base to Centerline Height	B Min. Distance Between Bolt Holes	B Max. Distance Between Bolt Holes	G Bolt Hole Spacing (Width)	C	D	E	F Bolts	H	L	M	N	P	Approx. Weight
		Part Number	Part Number																
Two-Bolt Pillow Block																			
4	1 7/16	ZEPS3107	ZEP3107	1 7/8	4 3/4	6	-	7 3/8	2 59/64	2 1/4	1/2	1 1/8	3 7/8	2 5/16	1 3/4	25/32			7.10
5	1 11/16	ZEPS3111	ZEP3111	2 1/8	5 1/4	6 1/2	-	7 7/8	3 3/16	2 1/2	1/2	1 1/4	4 3/8	2 5/8	2 1/32	3/4			10.10
6	1 15/16	ZEPS3115	ZEP3115	2 1/4	6 1/16	7 1/4	-	8 7/8	3 9/32	2 1/2	5/8	1 5/16	4 9/16	2 3/4	2 5/16	27/32			11.70
7	2 3/16	ZEPS3203	ZEP3203	2 1/2	6 9/16	8	-	9 5/8	3 1/2	2 9/16	5/8	1 1/2	5	3 1/4	2 5/8	31/32			15.10
8	2 7/16	ZEPS3207	ZEP3207	2 3/4	6 15/16	8 3/4	-	10 1/2	3 21/32	2 11/16	5/8	1 5/8	5 1/2	3 9/16	2 29/32	1 1/64			18.40
		2 1/2	ZEPS3208																ZEP3208
9	2 11/16	ZEPS3211	ZEP3211	3 1/8	7 13/16	9 3/4	-	11 13/16	4 13/64	3 3/16	3/4	1 7/8	6 5/16	4 1/16	3 3/8	1 1/64			29.50
		2 15/16	ZEPS3215																ZEP3215
10	3 7/16	ZEPS3307	ZEP3307	3 3/4	9 5/16	11 5/16	-	13 13/16	4 37/64	3 1/2	7/8	2 1/4	7 1/2	4 15/16	3 31/32	1 9/64			43.10
		3 1/2	ZEPS3308																ZEP3308
Four-Bolt Pillow Block																			
8	2 7/16	ZEPS3207F	ZEP3207F	2 3/4	6 15/16	8 3/4	1 7/8	10 1/2	3 21/32	3 5/8	5/8	1 5/8	5 1/2	3 9/16	2 29/32	1 1/64			18.50
		2 1/2	ZEPS3208F																ZEP3208F
9	2 11/16	ZEPS3211F	ZEP3211F	3 1/8	7 13/16	9 7/8	2 1/8	11 13/16	4 13/64	4 1/4	5/8	1 7/8	6 5/16	4 1/16	3 3/8	1 1/64			28.70
		2 15/16	ZEPS3215F																ZEP3215F
10	3 7/16	ZEPS3307F	ZEP3307F	3 3/4	9 5/16	11 5/16	2 3/8	13 13/16	4 37/64	4 3/4	3/4	2 1/4	7 1/2	4 15/16	3 31/32	1 9/64			43.60
		3 1/2	ZEPS3308F																ZEP3308F
11	3 15/16	ZEPS3315F	ZEP3315F	4 1/4	12	13	2 1/4	15 1/4	5 3/16	4 1/2	3/4	2 5/8	8 5/8	5 5/8	4 9/16	1 1/16			61.00

Additional Notes

- Please call 1-866-REXNORD for availability
- Lubrication fitting tap size, 1/8" PT
- Base to centerline tolerance, +/- .005 in (**+/-0.13 mm**)
- Bore size = nominal shaft size +.001 in/-.000 in (**+0.03 mm/-0.00 mm**)
- Expansion - 3/8" all size codes
- Seals - To specify G, K or M seal, replace "Z" in part number with "G", "K" or "M"
- Auxiliary end caps - available in all size codes, except expansion units
- For the Selection Guide, Load Ratings and Speed Limits, see the Spherical Roller Bearings Engineering section on pages 17 - 29.

Note: Dimensions subject to change. Certified dimensions of ordered material furnished on request.

ZEP5000, ZEPS5000

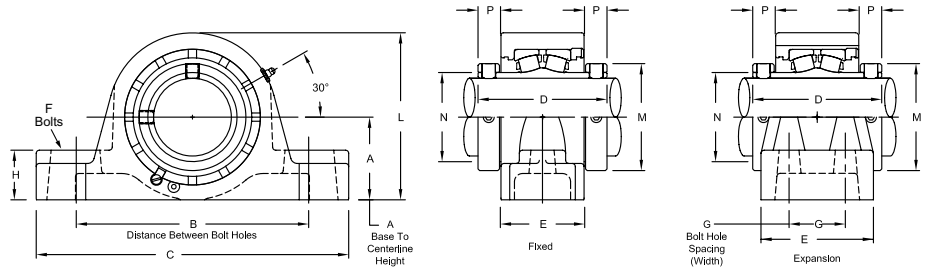
Interchange: (E)RPB, QAAP(F), QAAPR



Photo Shows a 2-Bolt Spherical Roller Bearing Pillow Block Unit

Product Features

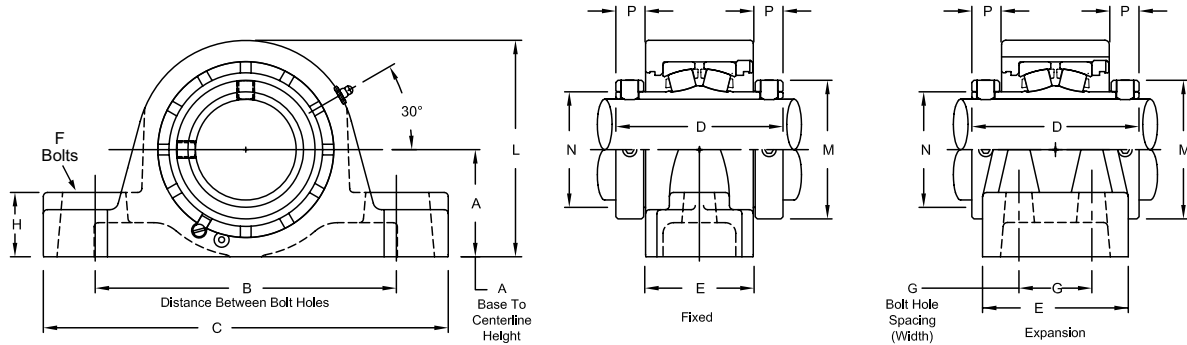
- Corrosion-resistant powder coating
- Cast iron housing
- Misalignment capabilities - total of 4°
- Broad range of sealing options
- Factory set clearance & lubrication
- Precision ground & superfinished raceways
- Two hardened spring locking collars
- Field interchangeable seals
- See Features and Benefits for additional info on pages 10 - 13.



Bearing Dimensions

Size Code	Shaft Diameter	Expansion		Fixed		A Base to Centerline Height	B Distance Between Bolt Holes		G Bolt Hole Spacing (Width)	C	D	E	F Bolts	H	L	M	N	P	Approx. Weight
		Part Number	Part Number	Min.	Max.														
Two-Bolt Pillow Block																			
4	1 7/16	ZEPS5107	ZEP5107	1 7/8	4 3/4	6	-	7 3/8	3 9/16	2 1/4	1/2	1 1/8	3 7/8	2 5/16	1 3/4	1 1/16	7.40		
	35.00	ZEPS5035MM	ZEP5035MM	47.63	120.65	152.40	-	187.33	90.49	57.15	13.00	28.58	98.43	58.74	44.450	17.46	3.40		
5	1 1/2	ZEPS5108	ZEP5108	2 1/8	5 1/4	6 1/2	-	7 7/8	3 13/16	2 1/2	1/2	1 1/4	4 3/8	2 19/32	2 1/32	1 1/16	10.90		
	1 11/16	ZEPS5111	ZEP5111														10.50		
	40.00	ZEPS5040MM	ZEP5040MM	53.98	133.35	165.10	-	200.03	96.84	63.50	13.00	31.75	111.13	65.88	51.590	17.46	4.90		
	45.00	ZEPS5045MM	ZEP5045MM																
6	1 15/16	ZEPS5115	ZEP5115	2 1/4	6 1/16	7 1/4	-	8 7/8	3 13/16	2 1/2	5/8	1 5/16	4 9/16	2 7/8	2 5/16	1 1/16	12.10		
	2	ZEPS8200	ZEP8200														16.50		
	50.00	ZEPS5050MM	ZEP5050MM	57.15	153.99	184.15	-	225.43	96.84	63.50	16.00	33.34	115.89	73.03	58.740	17.46	5.50		
7	2	ZEPS5200	ZEP5200	2 1/2	6 9/16	8	-	9 5/8	4 1/8	2 9/16	5/8	1 1/2	5	3 1/4	2 5/8	1 3/16	16.50		
	2 3/16	ZEPS5203	ZEP5203														15.90		
	55.00	ZEPS5055MM	ZEP5055MM	63.50	166.69	203.20	-	244.48	104.78	65.09	16.00	38.10	127.00	82.60	66.680	20.64	7.20		
8	2 7/16	ZEPS5207	ZEP5207	2 3/4	6 15/16	8 3/4	-	10 1/2	4 3/8	2 11/16	5/8	1 5/8	5 1/2	3 9/16	2 29/32	7/8	19.30		
	60.00	ZEPS5060MM	ZEP5060MM	69.85	176.21	222.25	-	266.70	111.13	68.26	16.00	41.28	139.70	90.50	73.820	22.23	8.70		
	65.00	ZEPS5065MM	ZEP5065MM														8.60		
9	2 1/2	ZEPS5208	ZEP5208														31.50		
	2 11/16	ZEPS5211	ZEP5211														30.50		
	2 3/4	ZEPS5212	ZEP5212	3 1/8	7 13/16	9 3/4	-	11 13/16	4 7/8	3 3/16	3/4	1 7/8	6 5/16	4 1/16	3 3/8	7/8	30.20		
	2 15/16	ZEPS5215	ZEP5215														30.10		
	70.00	ZEPS5070MM	ZEP5070MM	79.38	198.44	247.65	-	300.04	123.83	80.96	19.00	47.63	160.34	103.20	85.730	22.23	13.70		
10	75.00	ZEPS5075MM	ZEP5075MM														13.50		
	3 3/16	ZEPS5303	ZEP5303	3 3/4	9 5/16	11 5/16	-	13 13/16	5 5/16	3 1/2	7/8	2 1/4	7 1/2	4 29/32	3 31/32	1 5/16	47.10		
	3 7/16	ZEPS5307	ZEP5307														44.70		
	80.00	ZEPS5080MM	ZEP5080MM	95.25	236.54	287.34	-	350.84	134.94	88.90	22.00	57.15	190.50	124.62	100.790	23.81	21.30		
	85.00	ZEPS5085MM	ZEP5085MM														20.30		
90.00	ZEPS5090MM	ZEP5090MM														20.00			
Four-Bolt Pillow Block																			
8	2 7/16	ZEPS5207F	ZEP5207F	2 3/4	6 15/16	8 3/4	1 7/8	10 1/2	4 3/8	3 5/8	5/8	1 5/8	5 1/2	3 9/16	2 29/32	7/8	19.40		
	60.00	ZEPS5060MMF	ZEP5060MMF	69.85	176.21	222.25	47.63	266.70	111.13	92.08	16.00	41.28	139.70	90.50	73.820	22.23	8.80		
	65.00	ZEPS5065MMF	ZEP5065MMF														8.70		
9	2 1/2	ZEPS5208F	ZEP5208F														31.00		
	2 11/16	ZEPS5211F	ZEP5211F	3 1/8	7 13/16	9 7/8	2 1/8	11 13/16	4 7/8	4 1/4	5/8	1 7/8	6 5/16	4 1/16	3 3/8	7/8	30.00		
	2 3/4	ZEPS5212F	ZEP5212F														29.80		

Continued...



Continued...

Bearing Dimensions

Size Code	Shaft Diameter	Expansion		Fixed		A Base to Centerline Height	B Distance Between Bolt Holes		G Bolt Hole Spacing (Width)	C	D	E	F Bolts	H	L	M	N	P	Approx. Weight
		Part Number	Part Number	Mn.	Max.														
Four-Bolt Pillow Block (continued)																			
9	2 15/16	ZEPS5215F	ZEP5215F	3 1/8	7 13/16	9 7/8	2 1/8	11 13/16	4 7/8	4 1/4	5/8	1 7/8	6 5/16	4 1/16	3 3/8	7/8			29.70
	70.00	ZEPSS5070MMF	ZEP5070MMF	79.38	198.44	250.83	53.98	300.04	123.83	107.95	16.00	47.63	160.34	103.20	85.730	22.23			13.40
	75.00	ZEPSS5075MMF	ZEP5075MMF																13.20
10	3 3/16	ZEPS5303F	ZEP5303F	3 3/4	9 5/16	11 5/16	2 3/8	13 13/16	5 5/16	4 3/4	3/4	2 1/4	7 1/2	4 29/32	3 31/32	15/16			47.60
	3 7/16	ZEPS5307F	ZEP5307F																45.20
	80.00	ZEPSS5080MMF	ZEP5080MMF																21.60
	85.00	ZEPSS5085MMF	ZEP5085MMF	95.25	236.54	287.34	60.33	350.84	134.94	120.65	19.00	57.15	190.50	124.62	100.790	23.81			20.50
11	90.00	ZEPSS5090MMF	ZEP5090MMF																
	3 11/16	ZEPS5311F	ZEP5311F	4 1/4	12	13	2 1/4	15 1/4	6 1/8	4 1/2	3/4	2 5/8	8 5/8	5 5/8	4 9/16	1 1/32			65.50
	3 15/16	ZEPS5315F	ZEP5315F																64.80
	4	ZEPS5400F	ZEP5400F																63.50
12	100.00	ZEPSS5100MMF	ZEP5100MMF	107.95	304.80	330.20	57.15	387.35	155.58	114.30	19.00	66.68	219.08	142.90	115.890	26.19			30.00
	4 3/16	ZEPS5403YF	ZEP5403YF																81.00
	4 7/16	ZEPS5407YF	ZEP5407YF	4 3/4	12 7/8	14 1/8	2 1/2	16 1/2	6 1/4	4 5/8	3/4	2 3/4	9 3/8	6 3/16	5 1/32	1 1/16			78.00
	4 1/2	ZEPS5408YF	ZEP5408YF																76.00
	110.00	ZEPSS5110MMF	ZEP5110MMF	120.65	327.03	358.78	63.50	419.10	158.75	117.48	19.00	69.85	238.13	157.16	127.790	26.99			35.40
13	115.00	ZEPSS5115MMF	ZEP5115MMF																34.50
	4 15/16	ZEPS5415F	ZEP5415F	5 1/2	14 7/8	16 1/8	2 3/4	18 1/2	7 7/8	5 9/16	7/8	3	11 1/8	7 1/16	5 3/4	1 5/32			150.00
	5	ZEPS5500F	ZEP5500F																147.00
	125.00	ZEPSS5125MMF	ZEP5125MMF	139.70	377.83	409.58	69.85	469.90	200.03	141.29	22.00	76.20	282.58	179.39	146.050	29.37			68.00
130.00	ZEPSS5130MMF	ZEP5130MMF																66.70	

Additional Notes

Please call 1-866-REXNORD for availability
 Metric bore sizes available, see the Rex Interchangeability guide
 Lubrication fitting tap size: for size code 4 thru 11, 1/8" PT: for all other size codes, 1/4" PT
 Base to centerline tolerance, +/- .005 in (+/- 0.13 mm)
 Bore size = nominal shaft size + .001 in / -.000 in (+0.03 mm / -0.00 mm)
 Expansion - 3/8" all size codes

Seals - To specify G, K or M seal, replace "Z" in part number with "G", "K" or "M"
 "K" seals only available in size codes 4 thru 11

Auxiliary end caps - available in all size codes, expect expansion units

For the Selection Guide, Load Ratings and Speed Limits, see the Spherical Roller Bearings Engineering section on pages 17 - 29.

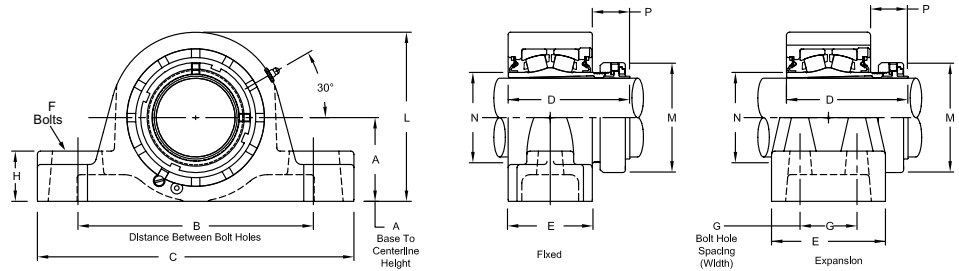
Note: Dimensions subject to change. Certified dimensions of ordered material furnished on request. **Continued...**

ZEP6000, ZEPS6000

Interchange: EP2BIP, EP4BIP, (F)SYE-N, USRBE5000A, QVVP, QVVP, DVP



Photo Shows a 2-Bolt Spherical Roller Bearing Pillow Block Unit



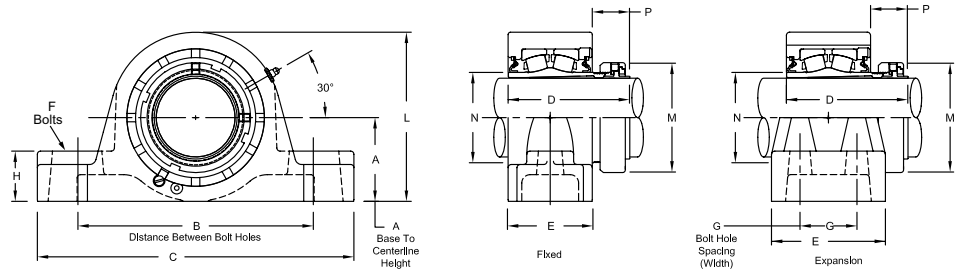
Product Features

- Positive locking system
- Tapered adapter sleeve
- Corrosion-resistant powder coating
- Cast iron housing
- Misalignment capabilities - total of 4°
- Broad range of sealing options
- Factory set clearance & lubrication
- Precision ground & superfinished raceways
- See Features and Benefits for additional info on pages 10 - 13.

Bearing Dimensions

Size Code	Shaft Diameter	Expansion		Fixed		A Base to Centerline Height	B Distance Between Bolt Holes		G Bolt Hole Spacing (Width)	C	D	E	F Bolts	H	L	M	N	P	Approx. Weight
		Part Number	Part Number	Min.	Max.														
Two-Bolt Pillow Block																			
4	1 7/16	ZEPS6107	ZEP6107	1 7/8	4 3/4	6	-	7 3/8	3 21/64	2 1/4	1/2	1 1/8	3 7/8	2 25/64	1 3/4	1 9/64	6.90		
	35.00	ZEPS6035MM	ZEP6035MM	47.63	120.65	152.40	-	187.33	84.53	57.15	13.00	28.58	98.43	60.72	44.45	28.97	3.10		
5	1 11/16	ZEPS6111	ZEP6111	2 1/8	5 1/4	6 1/4	-	7 7/8	3 47/64	2 1/2	1/2	1 1/4	4 3/8	2 41/64	2 1/32	1 9/32	10.50		
	40.00	ZEPS6040MM	ZEP6040MM	53.98	133.35	158.75	-	200.03	94.85	63.50	13.00	31.75	111.13	67.07	51.59	32.54	4.80		
6	1 15/16	ZEPS6115	ZEP6115	2 1/4	6 1/16	7 1/4	-	8 7/8	3 41/64	2 1/2	5/8	1 5/16	4 9/16	2 35/64	2 5/16	1 1/8	12.10		
	45.00	ZEPS6045MM	ZEP6045MM	57.15	153.99	184.15	-	225.43	92.47	63.50	16.00	33.34	115.89	72.63	58.740	28.58	5.50		
7	2 3/16	ZEPS6203	ZEP6203	2 1/2	6 9/16	8	-	9 5/8	3 11/16	2 9/16	5/8	1 1/2	5	3 15/64	2 5/8	1 5/32	16.50		
	50.00	ZEPS6050MM	ZEP6050MM	63.50	166.69	203.20	-	244.48	93.66	65.09	16.00	38.10	127.00	82.15	66.680	29.37	7.20		
8	2 3/8	ZEPS6206	ZEP6206	2 3/4	6 15/16	8 3/4	-	10 1/2	4 1/16	2 11/16	5/8	1 5/8	5 1/2	3 19/32	2 29/32	1 27/64	19.30		
	60.00	ZEPS6060MM	ZEP6060MM	69.85	176.21	222.25	-	266.70	103.19	68.26	16.00	41.28	139.70	91.28	73.820	36.12	8.70		
9	2 11/16	ZEPS6211	ZEP6211	3 1/8	7 13/16	9 3/4	-	11 13/16	4 17/32	3 3/16	3/4	1 7/8	6 5/16	4 3/32	3 3/8	1 25/64	31.50		
	2 3/4	ZEPS6212	ZEP6212														31.00		
	2 15/16	ZEPS6215	ZEP6215														28.70		
	65.00	ZEPS6065MM	ZEP6065MM														13.70		
70.00	ZEPS6070MM	ZEP6070MM	79.38	198.44	247.65	-	300.04	115.09	80.96	19.00	47.63	160.34	103.98	85.730	35.32	13.50			
75.00	ZEPS6075MM	ZEP6075MM																	
10	3 3/16	ZEPS6303	ZEP6303	3 3/4	9 5/16	11 5/16	-	13 13/16	5 1/32	3 1/2	7/8	2 1/4	7 1/2	4 61/64	3 31/32	1 19/32	47.10		
	3 7/16	ZEPS6307	ZEP6307														44.70		
80.00	ZEPS6080MM	ZEP6080MM	95.25	236.54	287.34	-	350.84	127.79	88.90	22.00	57.15	190.50	125.81	100.790	40.48	21.30			
Four-Bolt Pillow Block																			
8	2 3/8	ZEPS6206F	ZEP6206F	2 3/4	6 15/16	8 3/4	1 7/8	10 1/2	4 1/16	3 5/8	5/8	1 5/8	5 1/2	3 19/32	2 29/32	1 27/64	19.40		
	2 7/16	ZEPS6207F	ZEP6207F														18.30		
60.00	ZEPS6060MMF	ZEP6060MMF	69.85	176.21	222.25	47.63	266.70	103.19	92.08	16.00	41.28	139.70	91.28	73.820	36.12	8.80			
9	2 11/16	ZEPS6211F	ZEP6211F	3 1/8	7 13/16	9 7/8	2 1/8	11 13/16	4 17/32	4 1/4	5/8	1 7/8	6 5/16	4 3/32	3 3/8	1 25/64	31.00		
	2 3/4	ZEPS6212F	ZEP6212F														30.50		
	2 15/16	ZEPS6215F	ZEP6215F														28.20		
	65.00	ZEPS6065MMF	ZEP6065MMF														13.40		
70.00	ZEPS6070MMF	ZEP6070MMF	79.38	198.44	250.83	53.98	300.04	115.09	107.95	16.00	47.63	160.34	103.98	85.730	35.32	13.40			
75.00	ZEPS6075MMF	ZEP6075MMF															13.20		

Continued...



Continued...

Bearing Dimensions

Size Code	Shaft Diameter	Expansion		Fixed		A Base to Centerline Height	B Distance Between Bolt Holes		G Bolt Hole Spacing (Width)	C	D	E	F Bolts	H	L	M	N	P	Approx. Weight	
		Part Number	Part Number	Min.	Max.															
Four-Bolt Pillow Block																				
10	3 ³ / ₁₆	ZEPS6303F	ZEP6303F	3 ³ / ₄	9 ⁵ / ₁₆	11 ⁵ / ₁₆	2 ³ / ₈	13 ¹³ / ₁₆	5 ¹ / ₃₂	4 ³ / ₄	3/4	2 ¹ / ₄	7 ¹ / ₂	4 ⁶¹ / ₆₄	3 ³¹ / ₃₂	1 ¹⁹ / ₃₂	47.60	45.20	21.60	
	3 ⁷ / ₁₆	ZEPS6307F	ZEP6307F																	20.50
	80.00	ZEPS6080MMF	ZEP6080MMF																	20.50
11	3 ¹¹ / ₁₆	ZEPS6311F	ZEP6311F	4 ¹ / ₄	12	13	2 ¹ / ₄	15 ¹ / ₄	5 ²⁵ / ₃₂	4 ¹ / ₂	3/4	2 ⁵ / ₈	8 ⁵ / ₈	5 ⁴³ / ₆₄	4 ⁹ / ₁₆	1 ⁴⁷ / ₆₄	65.50	64.80	30.00	
	3 ¹⁵ / ₁₆	ZEPS6315F	ZEP6315F																	30.00
	90.00	ZEPS6090MMF	ZEP6090MMF																	30.00
12	4 ³ / ₁₆	ZEPS6403YF	ZEP6403YF	4 ³ / ₄	12 ⁷ / ₈	14 ¹ / ₈	2 ¹ / ₂	16 ¹ / ₂	6 ¹ / ₄	4 ⁵ / ₈	3/4	2 ³ / ₄	9 ³ / ₈	6 ¹ / ₁₆	5 ¹ / ₃₂	1 ⁷ / ₈	81.00	78.00	35.40	
	4 ⁷ / ₁₆	ZEPS6407YF	ZEP6407YF																	35.40
	110.00	ZEPS6110MMF	ZEP6110MMF																	35.40
13	4 ¹⁵ / ₁₆	ZEPS6415F	ZEP6415F	5 ¹ / ₂	14 ⁷ / ₈	16 ¹ / ₈	2 ³ / ₄	18 ¹ / ₂	7 ¹⁵ / ₁₆	5 ⁹ / ₁₆	7/8	3	11 ¹ / ₈	6 ⁶¹ / ₆₄	5 ³ / ₄	2 ¹ / ₄	150.00	146.050	68.00	
	115.00	ZEPS6115MMF	ZEP6115MMF																	68.00
	125.00	ZEPS6125MMF	ZEP6125MMF																	68.00

Additional Notes

Please call 1-866-REXNORD for availability
 Metric bore sizes available, see the Rex Interchangeability guide
 Lubrication fitting tap size: for size code 6 thru 11, 1/8" PT; for all other size codes, 1/4" PT
 Base to centerline tolerance, +/- .005 in (+/- 0.13 mm)
 Expansion - 3/8" all size codes
 Seals - To specify G, K or M seal, replace "Z" in part number with "G", "K" or "M"

"K" seals only available in size codes 4 thru 11
 Auxiliary end caps - available in all size codes, except expansion units
 For the Selection Guide, Load Ratings and Speed Limits, see the Spherical Roller Bearings Engineering section on pages 17 - 29.
 Note: Dimensions subject to change. Certified dimensions of ordered material furnished on request.

ZEP9000, ZE9000

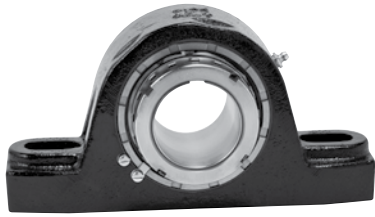
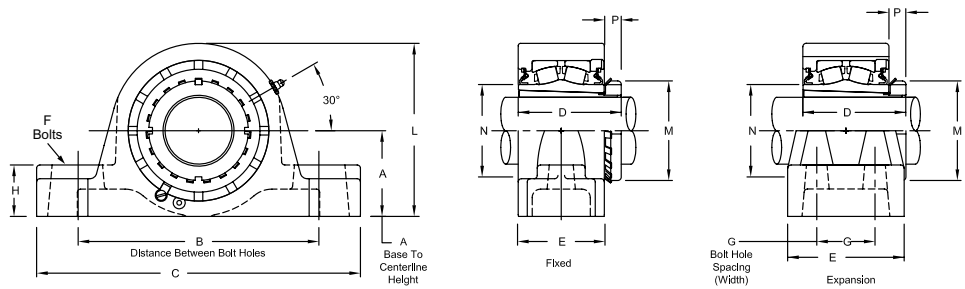


Photo Shows a 2-Bolt Spherical Roller Bearing Pillow Block Unit

Product Features

- Corrosion-resistant powder coating
- Cast iron housing
- Misalignment capabilities - total of 4°
- Broad range of sealing options
- Factory set clearance & lubrication
- Precision ground & superfinished raceways
- Enhanced life mounting style
- Field interchangeable seals
- See Features and Benefits for additional info on pages 10 - 13.



Bearing Dimensions

Size Code	Shaft Diameter	Expansion		Fixed		A Base to Centerline Height	B Distance Between Bolt Holes		G Bolt Hole Spacing (Width)	C	D	E	F Bolts	H	L	M	N	P	Approx. Weight
		Part Number	Part Number	Min.	Max.														
Two-Bolt Pillow Block																			
7	1 15/16	ZEPS9115	ZEP9115	2 1/2	6 9/16	8	-	9 5/8	3 5/32	2 9/16	5/8	1 1/2	5	2 31/32	2 5/8	1 9/32	15.00		14.90
	2	ZEPS9200	ZEP9200																6.80
	45.00	ZEPS9045MM	ZEP9045MM																6.60
	50.00	ZEPS9050MM	ZEP9050MM																18.60
8	2 3/16	ZEPS9203	ZEP9203	2 3/4	6 15/16	8 3/4	-	10 1/2	3 11/32	2 11/16	5/8	1 5/8	5 1/2	3 3/8	2 29/32	23/32	18.60		8.40
	55.00	ZEPS9055MM	ZEP9055MM	69.85	176.21	222.25	-	266.70	84.93	68.26	16.00	41.28	139.70	85.73	73.820	18.26	8.40		
9	2 7/16	ZEPS9207	ZEP9207	3 1/8	7 13/16	9 3/4	-	11 13/16	3 3/4	3 3/16	3/4	1 7/8	6 5/16	3 5/8	3 3/8	5/8	28.10		27.70
	2 1/2	ZEPS9208	ZEP9208																45.70
10	2 11/16	ZEPS9211	ZEP9211	3 3/4	9 5/16	11 5/16	-	13 13/16	4 1/4	3 1/2	7/8	2 1/4	7 1/2	4 13/32	3 31/32	13/16	44.50		44.50
	2 15/16	ZEPS9215	ZEP9215																20.20
	75.00	ZEPS9075MM	ZEP9075MM																95.25
Four-Bolt Pillow Block																			
8	2 3/16	ZEPS9203F	ZEP9203F	2 3/4	6 15/16	8 3/4	1 7/8	10 1/2	3 11/32	3 5/8	5/8	1 5/8	5 1/2	3 3/8	2 29/32	23/32	18.70		8.50
	55.00	ZEPS9055MMF	ZEP9055MMF	69.85	176.21	222.25	47.63	266.70	84.93	92.08	16.00	41.28	139.70	85.73	73.820	18.26	8.50		
9	2 7/16	ZEPS9207F	ZEP9207F	3 1/8	7 13/16	9 7/8	2 1/8	11 13/16	3 3/4	4 1/4	5/8	1 7/8	6 5/16	3 5/8	3 3/8	5/8	27.60		27.20
	2 1/2	ZEPS9208F	ZEP9208F																46.20
10	2 11/16	ZEPS9211F	ZEP9211F	3 3/4	9 5/16	11 5/16	2 3/8	13 13/16	4 1/4	4 3/4	3/4	2 1/4	7 1/2	4 13/32	3 31/32	13/16	45.00		45.00
	2 15/16	ZEPS9215F	ZEP9215F																20.40
	75.00	ZEPS9075MMF	ZEP9075MMF																95.25
11	3 3/16	ZEPS9303F	ZEP9303F	4 1/4	12	13	2 1/4	15 1/4	5	4 1/2	3/4	2 5/8	8 5/8	5 3/16	4 9/16	15/16	70.00		68.00
	3 7/16	ZEPS9307F	ZEP9307F																31.00
	80.00	ZEPS9080MMF	ZEP9080MMF																107.95
12	3 11/16	ZEPS9311YF	ZEP9311YF	4 3/4	12 7/8	14 1/8	2 1/2	16 1/2	5 17/32	4 5/8	3/4	2 3/4	9 3/8	5 23/32	5 1/32	1 1/32	78.20		75.90
	3 15/16	ZEPS9315YF	ZEP9315YF																75.40
	4	ZEPS9400YF	ZEP9400YF																120.65
13	4 3/16	ZEPS9403F	ZEP9403F	5 1/2	14 7/8	16 1/8	2 3/4	18 1/2	6 3/4	5 9/16	7/8	3	11 1/8	6 1/8	5 3/4	1 1/8	150.00		148.00
	4 7/16	ZEPS9407F	ZEP9407F																

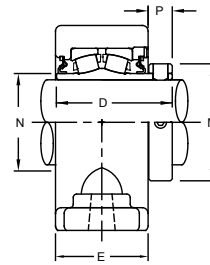
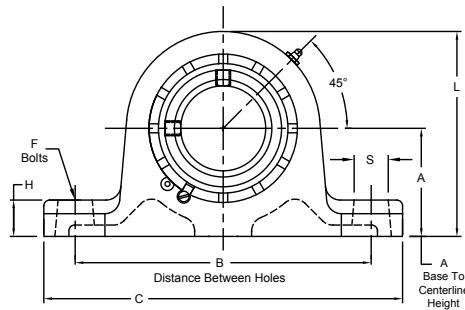
Additional Notes

- Please call 1-866-REXNORD for availability
- Lubrication fitting tap size: for size code 7 thru 11, 1/8" PT; for all other size codes, 1/4" PT
- Base to centerline tolerance, +/- .005 in (+/- 0.13 mm)
- Expansion - 3/8" all size codes
- Seals - To specify G, K or M seal, replace "Z" in part number with "G", "K" or "M"
- "K" seals only available in size codes 7 thru 11
- Auxiliary end caps - available in all size codes, except expansion units

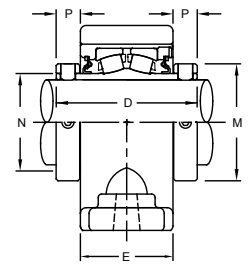
For the Selection Guide, Load Ratings and Speed Limits, see the Spherical Roller Bearings Engineering section on pages 17 - 29.

Note: Dimensions subject to change. Certified dimensions of ordered material furnished on request.

P2BRN2000, P2BRN5000



2000 Series
Single Set
Collar



*5000 Series
Double Set
Collar

Product Features

- Single or Double Hardened Spring Locking Collars
- Standard all Metal Clearance Seal
- Optional Field Interchangeable Seals to Meet Application Needs
- Misalignment Capabilities $\pm 2^\circ$ for a total of 4°
- Factory Set Clearance and Lubrication
- Corrosion Resistant Black Powder Coating
- Cast Iron Housing
- Precision Ground and Superfinished Raceways
- Fixed or Expansion - Total of $3/8"$ Expansion
- Milled Ends for precise location and replacement

Bearing Dimensions (MM)

Size Code	Shaft Diameter	Fixed Part Number	Expansion Part Number	A Base to Centerline Height	B Min	B Max	C $\pm .25\text{mm}$	D	E	F Bolts	H	L	M	N	P	S
4	35.0	P2BRN042035MMZ	P2BRN042035MMZE	60	155	185	205	73.0	55.6	12	25	115.0	58.4	44.3	17.5	21
5	40.0	P2BRN052040MMZ	P2BRN052040MMZE	60	155	185	205	79.4	63.5	12	25	121.2	65.6	51.5	16.4	21
	45.0	P2BRN052045MMZ	P2BRN052045MMZE													
6	50.0	P2BRN062050MMZ	P2BRN062050MMZE	70	186	226	255	79.4	63.5	16	28	133.7	73.0	58.6	16.7	28
7	55.0	P2BRN072055MMZ	P2BRN072055MMZE	70	186	226	255	84.1	65.0	16	30	138.8	82.6	66.5	19.9	28
8	60.0	P2BRN082060MMZ	P2BRN082060MMZE	80	201	247	275	88.9	67.6	16	30	154.2	90.2	73.7	21.9	31
	65.0	P2BRN082065MMZ	P2BRN082065MMZE													
9	70.0	P2BRN092070MMZ	P2BRN092070MMZE	95	240	280	315	101.6	81.0	20	32	180.1	102.7	85.6	21.4	30
	75.0	P2BRN092075MMZ	P2BRN092075MMZE													
10	80.0	P2BRN102080MMZ	P2BRN102080MMZE	100	271	307	345	111.1	87.4	20	35	195.8	124.6	101.0	22.9	28
10	85.0	P2BRN102085MMZ	P2BRN102085MMZE	112	271	307	345	111.1	87.4	20	35	207.4	124.6	101.0	22.9	28
11	90.0	P2BRN112090MMZ	P2BRN112090MMZE	112	290	340	380	130.2	106.4	24	40	222.5	142.9	115.8	26.4	37
11	100.0	P2BRN112100MMZ	P2BRN112100MMZE	125	324	370	410	130.2	106.4	24	45	235.5	142.9	115.8	26.4	35
12	110.0	*P2BRN125110MMZ	*P2BRN125110MMZE	140	328	370	410	158.8	108.0	24	45	262.9	157.2	127.8	25.4	33
12	115.0	*P2BRN125115MMZ	*P2BRN125115MMZE	150	357	403	445	158.8	108.0	24	50	273.1	157.2	127.8	25.4	35
13	125.0	*P2BRN135125MMZ	*P2BRN135125MMZE	150	391	447	500	200.1	141.3	30	50	293.1	178.9	146.0	29.5	43

Additional Notes

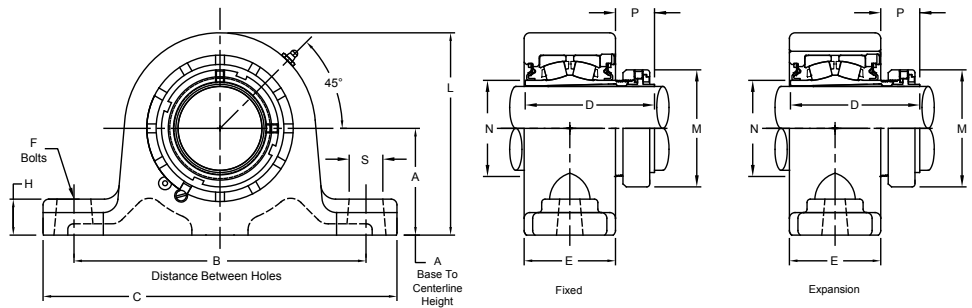
- Please call 1-866-REXNORD for availability
- Lube Fitting 1/8" PT
- Base to Centerline $\pm 0.13\text{mm}$
- Bore Size $+0.03\text{mm} / -0.00\text{mm}$
- Expansion $3/8"$
- Note: Dimensions subject to change. Certified dimensions of ordered material furnished on request.

P2BRN6000



Product Features

- Shurlok Tapered Adapter Mount
- Standard all Metal Clearance Seal
- Optional Field Interchangeable Seals to Meet Application Needs
- Misalignment Capabilities $\pm 2^\circ$ for a total of 4°
- Factory Set Clearance and Lubrication
- Corrosion Resistant Black Powder Coating
- Cast Iron Housing
- Precision Ground and Superfinished Raceways
- Fixed or Expansion - Total of $3/8"$ Expansion
- Milled Ends for precise location and replacement



Bearing Dimensions (MM)

Size Code	Shaft Diameter	Fixed Part Number	Expansion Part Number	A Base to Centerline Height	B Min	B Max	C $\pm .25$ mm	D	E	F Bolts	H	L	M	N	P	S
4	35.0	P2BRN046035MMZ	P2BRN046035MMZE	60	155	185	205	84.5	55.6	12	25	115.0	60.5	44.3	29.0	21
5	40.0	P2BRN056040MMZ	P2BRN056040MMZE	60	155	185	205	94.9	63.5	12	25	121.2	67.1	51.5	31.6	21
6	45.0	P2BRN066045MMZ	P2BRN066045MMZE	60	155	185	205	92.4	63.5	12	25	123.7	72.7	58.6	26.2	21
7	50.0	P2BRN076050MMZ	P2BRN076050MMZE	70	186	226	255	93.5	65.0	16	30	138.8	82.0	66.5	29.2	28
	55.0	P2BRN076055MMZ	P2BRN076055MMZE													
8	60.0	P2BRN086060MMZ	P2BRN086060MMZE	80	201	247	275	103.0	67.6	16	30	154.2	91.3	73.7	36.0	31
9	65.0	P2BRN096065MMZ	P2BRN096065MMZE	80	201	249	280	114.7	81.0	16	30	165.1	104.1	85.6	35.0	32
9	70.0	P2BRN096070MMZ	P2BRN096070MMZE	95	240	280	315	114.7	81.0	20	32	180.1	104.1	85.6	35.0	30
	75.0	P2BRN096075MMZ	P2BRN096075MMZE													
10	80.0	P2BRN106080MMZ	P2BRN106080MMZE	100	271	307	345	127.8	87.4	20	35	195.8	125.7	101.0	40.3	28
10	85.0	P2BRN106085MMZ	P2BRN106085MMZE	112	271	307	345	127.8	87.4	20	35	207.4	125.7	101.0	40.3	28
11	90.0	P2BRN116090MMZ	P2BRN116090MMZE	112	290	340	380	147.0	106.4	24	40	222.5	144.0	115.8	44.1	37
11	100.0	P2BRN116100MMZ	P2BRN116100MMZE	125	324	370	410	147.0	106.4	24	45	235.5	144.0	115.8	44.1	35
12	110.0	P2BRN126110MMZ	P2BRN126110MMZE	140	328	370	410	158.9	108.0	24	45	262.9	154.0	127.8	47.8	33
13	115.0	P2BRN136115MMZ	P2BRN136115MMZE	150	357	403	445	201.0	141.3	24	50	293.1	176.6	146.0	56.9	35
13	125.0	P2BRN136125MMZ	P2BRN136125MMZE	150	391	447	500	201.0	141.3	30	50	293.1	176.6	146.0	56.9	43

Additional Notes

- Please call 1-866-REXNORD for availability
- Lube Fitting 1/8" PT
- Base to Centerline ± 0.13 mm
- Expansion $3/8"$
- Note: Dimensions subject to change. Certified dimensions of ordered material furnished on request.

ZB2000, ZBS2000

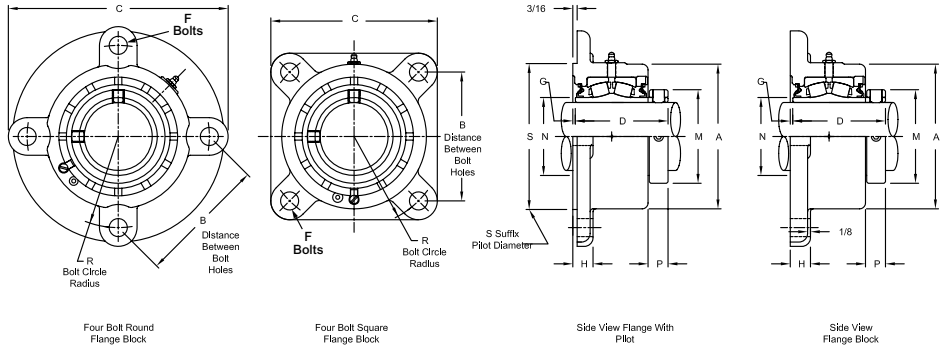
Interchange: F4RS2, F4SS2, FYR, USFB5000, QAFY, QAFL



Photo Shows a 4-Bolt Spherical Roller Bearing Flanged Unit

Product Features

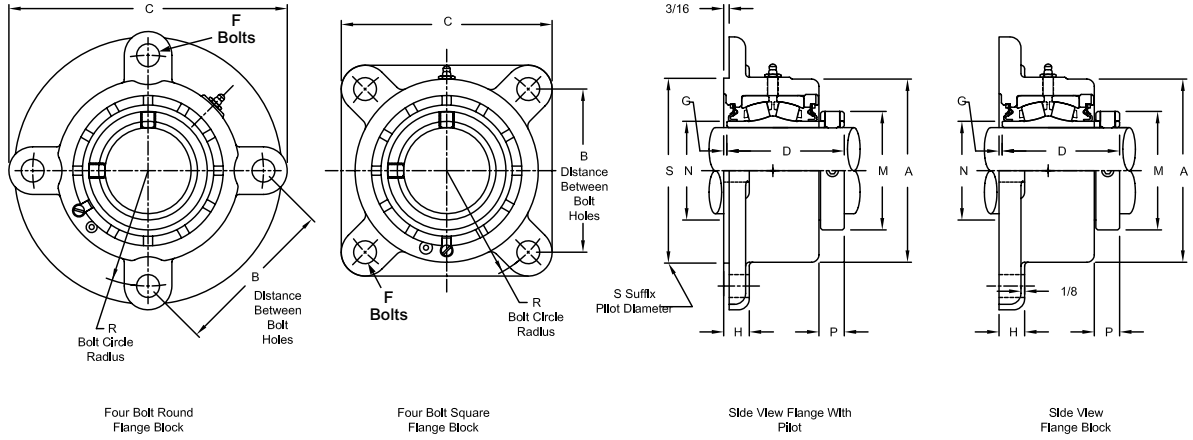
- Corrosion-resistant powder coating
- Cast iron housing
- Misalignment capabilities - total of 4°
- Broad range of sealing options
- Factory set clearance & lubrication
- Precision ground & superfinished raceways
- Hardened spring locking collar
- Field interchangeable seals
- See Features and Benefits for additional info on pages 10 - 13.



Bearing Dimensions

Size Code	Shaft Diameter	Expansion			Fixed			B Distance Between Bolt Holes	R Bolt Circle Radius	C	D	F Bolts	G	M	N	P	S	Approx. Weight
		Part Number	A	H	Part Number	A	H											
3-Bolt																		
2	3/4	-	-	-	ZB2012													4.30
	15/16	-	-	-	ZB2015	2 7/8	9/16	3 37/64	2 1/16	5 1/8	2 9/16	3/8	1/32	1 3/4	1 5/16	9/16	3	4.20
	1	-	-	-	ZB2100													
3	25.00	-	-	-	ZB2025MM	73.03	14.29	90.88	52.39	130.18	65.09	10.00	0.79	44.45	33.340	14.29	76.200	1.90
	1 1/8	-	-	-	ZB2102													5.20
	1 3/16	-	-	-	ZB2103	3 1/8	19/32	3 57/64	2 1/4	5 1/2	2 11/16	3/8	1/32	1 31/32	1 17/32	9/16	3 1/4	5.10
	1 1/4	-	-	-	ZB2104													
4	30.00	-	-	-	ZB2030MM	79.38	15.09	98.83	57.15	139.70	68.26	10.00	0.79	50.00	38.880	14.29	82.550	2.30
	1 7/16	ZBS2107	3 3/4	5/8	ZB2107	3 7/16	5/8	4 21/64	2 1/2	6 1/4	2 7/8	1/2	1/32	2 5/16	1 3/4	11/16	3 9/16	6.80
	1 1/2	ZBS2108			ZB2108													6.70
	35.00	ZBS2035MM	95.25	15.88	ZB2035MM	87.31	15.88	109.93	63.50	158.75	73.02	13.00	0.79	58.74	44.450	17.46	90.490	3.10
4-Bolt Round																		
5	1 11/16	ZBS2111	4 1/4	5/8	ZB2111	3 15/16	5/8	3 57/64	2 3/4	6 3/4	3 1/8	1/2	1/32	2 19/32	2 1/32	11/16	4 1/16	8.60
	1 3/4	ZBS2112			ZB2112													8.40
	40.00	ZBS2040MM	107.95	15.88	ZB2040MM	100.01	15.88	98.83	69.85	171.45	79.38	13.00	0.79	65.88	51.580	17.46	103.190	4.00
	45.00	ZBS2045MM			ZB2045MM													8.40
6	1 15/16	ZBS2115	4 1/2	11/16	ZB2115	4 1/4	11/16	4 1/16	2 7/8	7	3 1/8	1/2	1/16	2 7/8	2 5/16	11/16	4 3/8	9.80
	2	ZBS2200			ZB2200													9.60
	50.00	ZBS2050MM	114.30	17.46	ZB2050MM	107.95	17.46	103.19	73.03	177.80	79.38	13.00	1.59	73.03	58.740	17.46	111.130	4.50
	2 3/16	ZBS2203	4 7/8	11/16	ZB2203	4 7/8	11/16	4 1/2	3 3/16	7 3/4	3 5/16	5/8	3/32	3 1/4	2 5/8	13/16	5	13.30
7	2 1/4	ZBS2204			ZB2204													13.10
	55.00	ZBS2055MM	123.83	17.46	ZB2055MM	123.83	17.46	114.30	80.96	196.85	84.14	16.00	2.38	82.55	66.680	19.84	127.000	6.10
	2 3/8	ZBS2206			ZB2206													16.70
	2 7/16	ZBS2207	5 3/8	3/4	ZB2207	5 3/8	3/4	4 49/64	3 3/8	8 1/8	3 1/2	5/8	3/32	3 9/16	2 29/32	7/8	5 7/16	16.60
8	2 1/2	ZBS2208			ZB2208													16.40
	60.00	ZBS2060MM	136.53	19.05	ZB2060MM	136.53	19.05	121.06	85.73	206.38	88.90	16.00	2.38	90.49	73.810	22.23	138.110	7.60
	65.00	ZBS2065MM			ZB2065MM													7.40
	2 11/16	ZBS2211			ZB2211													26.50
9	2 3/4	ZBS2212	6 1/4	7/8	ZB2212	6 1/4	7/8	5 9/16	3 15/16	9 1/2	4	3/4	3/32	4 1/16	3 3/8	7/8	6 5/16	26.10
	2 15/16	ZBS2215			ZB2215													25.60
	3	ZBS2300			ZB2300													25.10
	70.00	ZBS2070MM	158.75	22.23	ZB2070MM	158.75	22.23	141.29	100.01	241.30	101.60	19.00	2.38	103.19	85.730	22.23	160.340	11.80
	75.00	ZBS2075MM			ZB2075MM													11.60

Continued...



Continued...

Bearing Dimensions

Size Code	Shaft Diameter	Expansion			Fixed			B Distance Between Bolt Holes	R Bolt Circle Radius	C	D	F Bolts	G	M	N	P	S	Approx. Weight
		Part Number	A	H	Part Number	A	H											
4-Bolt Square																		
10	3 3/16	ZBS2303			ZB2303													37.00
	3 7/16	ZBS2307	7 3/8	1 3/8	ZB2307	7 3/8	1	6 23/32	4 3/4	8 7/16	4 3/8	3/4	1/4	4 29/32	3 31/32	15/16	7 3/8	34.60
	3 1/2	ZBS2308			ZB2308													34.10
	80.00	ZBS2080MM	187.33	34.93	ZB2080MM	187.33	25.40	170.66	120.65	214.31	111.13	19.00	6.35	124.62	100.810	23.81	187.330	16.80
	85.00	ZBS2085MM			ZB2085MM													15.70
	90.00	ZBS2090MM			ZB2090MM													15.50
11	3 11/16	ZBS2311			ZB2311													59.00
	3 15/16	ZBS2315	8 3/8	1 1/2	ZB2315	8 1/2	1 3/16	7 19/32	5 3/8	9 3/4	5 1/16	7/8	1/4	5 5/8	4 9/16	1 1/32	8 1/2	56.00
	4	ZBS2400			ZB2400													
	100.00	ZBS2100MM	212.73	38.10	ZB2100MM	215.90	30.20	192.89	136.53	247.65	128.59	22.00	6.35	142.88	115.890	26.19	215.900	25.40

Additional Notes

- Please call 1-866-REXNORD for availability
- Metric bore sizes available, see Rex Interchangeability guide
- Lubrication fitting tap size, 1/8" PT
- Bore size = nominal shaft size +.001 in/-.000 in (+0.03 mm/-0.00 mm)
- Machined pilot available, add suffix S
- Expansion - 3/8" all size codes
- Seals - To specify G, K or M seal, replace "Z" in part number with "G", "K" or "M"
- Auxiliary end caps - available in all size codes except for size codes 2 thru 6 and expansion units
- "G" seals available in size codes 3 thru 11

- Also not available on size code 7 on flange side of non-piloted bearings and size code 7 thru 9 on flange side of piloted bearings
- Pilot Diameter tolerance, +.000 in/-.003 in (+0.00 mm/-0.08 mm)
- For the Selection Guide, Load Ratings and Speed Limits, see the Spherical Roller Bearings Engineering section on pages 17 - 29.
- Note: Dimensions subject to change. Certified dimensions of ordered material furnished on request.

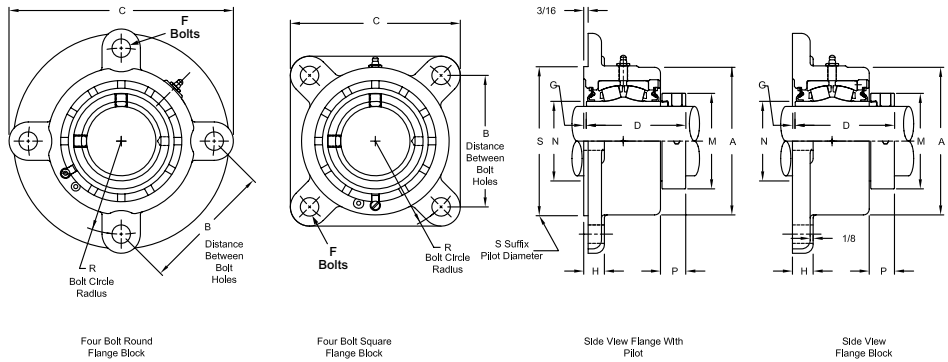
ZB3000, ZBS3000
Interchange: QMFY, QMFL



Photo Shows a 4-Bolt Spherical Roller Bearing Flanged Unit

Product Features

- Corrosion-resistant powder coating
- Cast iron housing
- Misalignment capabilities - total of 4°
- Broad range of sealing options
- Factory set clearance & lubrication
- Precision ground & superfinished raceways
- Hardened eccentric locking collar
- Field interchangeable seals
- See Features and Benefits for additional info on pages 10 - 13.



Bearing Dimensions

Size Code	Shaft Diameter	Expansion		Fixed		B Distance Between Bolt Holes	R Bolt Circle Radius	C	D	F Bolts	G	H	M	N	P	S	Approx. Weight
		Part Number	A	Part Number	A												
3-Bolt Round																	
4	1 7/16	ZBS3107	3 3/4	ZB3107	3 7/16	4 21/64	2 1/2	6 1/4	2 59/64	1/2	1/32	5/8	2 5/16	1 3/4	25/32	3 9/16	7.00
4-Bolt Round																	
5	1 11/16	ZBS3111	4 1/4	ZB3111	3 15/16	3 57/64	2 3/4	6 3/4	3 3/16	1/2	1/32	5/8	2 5/8	2 1/32	3/4	4 1/16	8.80
6	1 15/16	ZBS3115	4 1/2	ZB3115	4 1/4	4 1/16	2 7/8	7	3 9/32	1/2	1/16	11/16	2 3/4	2 5/16	27/32	4 3/8	10.00
7	2 3/16	ZBS3203	4 7/8	ZB3203	4 7/8	4 1/2	3 3/16	7 3/4	3 1/2	5/8	3/32	11/16	3 1/4	2 5/8	31/32	5	13.60
8	2 7/16	ZBS3207	5 3/8	ZB3207	5 3/8	4 49/64	3 3/8	8 1/8	3 21/32	5/8	3/32	3/4	3 9/16	2 29/32	1 1/64	5 7/16	16.80
	2 1/2	ZBS3208		ZB3208													16.60
9	2 11/16	ZBS3211	6 1/4	ZB3211	6 1/4	5 9/16	3 15/16	9 1/2	4 13/64	3/4	3/32	7/8	4 1/16	3 3/8	1 1/64	6 5/16	27.10
	2 15/16	ZBS3215		ZB3215													26.00
4-Bolt Square																	
10	3 7/16	ZBS3307	7 3/8	ZB3307	7 3/8	6 23/32	4 3/4	8 7/16	4 37/64	3/4	1/4	1	4 15/16	3 31/32	1 9/64	7 3/8	35.70
	3 1/2	ZBS3308		ZB3308													35.20
11	3 15/16	ZBS3315	8 3/8	ZB3315	8 1/2	7 19/32	5 3/8	9 3/4	5 3/16	7/8	1/4	1 1/8	5 5/8	4 9/16	1 1/16	8 1/2	56.00

Additional Notes

- Please call 1-866-REXNORD for availability
- Lubrication fitting tap size, 1/8" PT
- Bore size = nominal shaft size +.001 in/-.000 in (+0.03 mm/-0.00 mm)
- Machined pilot available, add suffix S
- Expansion - 3/8" all size codes
- Seals - To specify G, K or M seal, replace "Z" in part number with "G", "K" or "M"
- Auxiliary end caps - available in all size codes except for size codes 4 thru 6 and expansion units

- Also not available on size code 7 on flange side of non-piloted bearings and size code 7 thru 9 on flange side of piloted bearings
- Pilot Diameter tolerance, +.000 in/-.003 in (+0.00 mm/-0.08 mm)
- For the Selection Guide, Load Ratings and Speed Limits, see the Spherical Roller Bearings Engineering section on pages 17 - 29.
- Note: Dimensions subject to change. Certified dimensions of ordered material furnished on request.

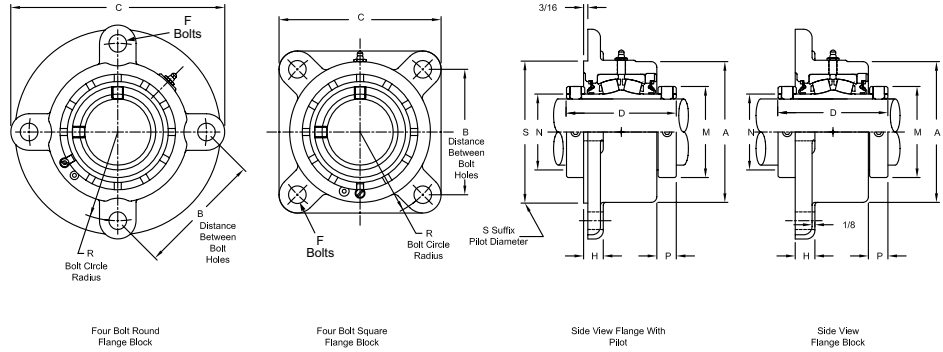
ZB5000, ZBS5000
Interchange: QAAFY, QAAFL



Photo Shows a 4-Bolt Spherical Roller Bearing Flanged Unit

Product Features

- Corrosion-resistant powder coating
- Cast iron housing
- Misalignment capabilities - total of 4°
- Broad range of sealing options
- Factory set clearance & lubrication
- Precision ground & superfinished raceways
- Two hardened spring locking collars
- Field interchangeable seals
- See Features and Benefits for additional info on pages 10 - 13.



Bearing Dimensions

Size Code	Shaft Diameter	Expansion			Fixed			B Distance Between Bolt Holes	R Bolt Circle Radius	C	D	F Bolts	M	N	P	S	Approx. Weight
		Part Number	A	H	Part Number	A	H										
3-Bolt Round																	
4	1 7/16	ZBS5107	3 3/4	5/8	ZB5107	3 7/16	5/8	4 21/64	2 1/2	6 1/4	3 9/16	1/2	2 5/16	1 3/4	11/16	3 9/16	7.10
	35.00	ZBS5035MM	95.25	15.88	ZB5035MM	87.31	15.88	109.93	63.50	158.75	90.49	13.00	58.74	44.450	17.46	90.490	3.20
4-Bolt Round																	
5	1 1/2	ZBS5108	4 1/4	5/8	ZB5108	3 15/16	5/8	3 57/64	2 3/4	6 3/4	3 13/16	1/2	2 19/32	2 1/32	11/16	4 1/16	9.60
	1 11/16	ZBS5111			ZB5111												9.20
	40.00	ZBS5040MM	ZB5040MM	4.30													
	45.00	ZBS5045MM	ZB5045MM	4.20													
6	1 15/16	ZBS5115	4 1/2	11/16	ZB5115	4 1/4	11/16	4 1/16	2 7/8	7	3 13/16	1/2	2 7/8	2 5/16	11/16	4 3/8	10.40
	50.00	ZBS5050MM	114.30	17.46	ZB5050MM	107.95	17.46	103.19	73.03	177.80	96.84	13.00	73.03	58.740	17.46	111.130	4.70
7	2	ZBS5200	4 7/8	11/16	ZB5200	4 7/8	11/16	4 1/2	3 3/16	7 3/4	4 1/8	5/8	3 1/4	2 5/8	13/16	5	15.00
	2 3/16	ZBS5203			ZB5203												14.40
	55.00	ZBS5055MM	123.83	17.46	ZB5055MM	123.83	17.46	114.30	80.96	196.85	104.78	16.00	82.60	66.680	20.64	127.000	6.50
8	2 7/16	ZBS5207	5 3/8	3/4	ZB5207	5 3/8	3/4	4 49/64	3 3/8	8 1/8	4 3/8	5/8	3 9/16	2 29/32	7/8	5 7/16	17.70
	60.00	ZBS5060MM	136.53	19.05	ZB5060MM	136.53	19.05	121.06	85.73	206.38	111.13	16.00	90.50	73.810	22.23	138.110	8.10
	65.00	ZBS5065MM			ZB5065MM												8.00
9	2 1/2	ZBS5208	6 1/4	7/8	ZB5208	6 1/4	7/8	5 9/16	3 15/16	9 1/2	4 7/8	3/4	4 1/16	3 3/8	7/8	6 5/16	29.20
	2 11/16	ZBS5211			ZB5211												28.20
	2 15/16	ZBS5215	ZB5215	27.70													
	70.00	ZBS5070MM	ZB5070MM	12.80													
	75.00	ZBS5075MM	ZB5075MM	12.60													
4-Bolt Square																	
10	3 3/16	ZBS5303	7 3/8	1 3/8	ZB5303	7 3/8	1	6 23/32	4 3/4	8 7/16	5 5/16	3/4	4 29/32	3 31/32	15/16	7 3/8	39.60
	3 7/16	ZBS5307			ZB5307												37.70
	80.00	ZBS5080MM	ZB5080MM	18.00													
	85.00	ZBS5085MM	ZB5085MM	17.00													
90.00	ZBS5090MM	ZB5090MM	16.50														
11	3 11/16	ZBS5311	8 3/8	1 1/2	ZB5311	8 1/2	1 3/16	7 19/32	5 3/8	9 3/4	6 1/8	7/8	5 5/8	4 9/16	1 1/32	8 1/2	61.50
	3 15/16	ZBS5315			ZB5315												60.50
	4	ZBS5400	ZB5400	59.50													
	100.00	ZBS5100MM	ZB5100MM	27.50													

Additional Notes

- Please call 1-866-REXNORD for availability
- Metric bore sizes available, see Rex Interchangeability guide
- Lubrication fitting tap size, 1/8" PT
- Bore size = nominal shaft size +.001 in/-.000 in (+0.03 mm/-0.00 mm)
- Machined pilot available, add suffix S
- Expansion - 3/8" all size codes
- Seals - To specify G, K or M seal, replace "Z" in part number with "G", "K" or "M"
- Auxiliary end caps - available in all size codes except for size codes 4 thru 6 and expansion units

- Also not available on size code 7 on flange side of non-piloted bearings and size code 7 thru 9 on flange side of piloted bearings
- Pilot Diameter tolerance, +.000 in/-.003 in (+0.00 mm/-0.08 mm)
- For the Selection Guide, Load Ratings and Speed Limits, see the Spherical Roller Bearings Engineering section on pages 17 - 29.
- Note: Dimensions subject to change. Certified dimensions of ordered material furnished on request.

ZB6000, ZBS6000

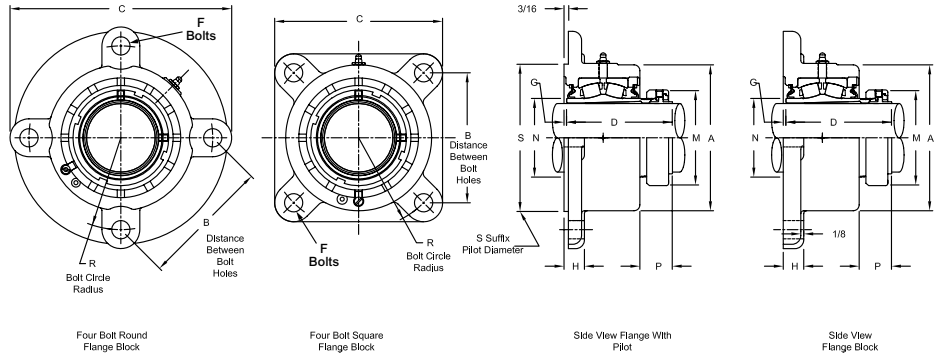
Interchange: F4RIP, F4SIP, USFB5000A, QVFL, QVVFL



Photo Shows a 4-Bolt Spherical Roller Bearing Flanged Unit

Product Features

- Positive locking system
- Tapered adapter sleeve
- Corrosion-resistant powder coating
- Cast iron housing
- Misalignment capabilities - total of 4°
- Broad range of sealing options
- Factory set clearance & lubrication
- Precision ground & superfinished raceways
- See Features and Benefits for additional info on pages 10 - 13.



Bearing Dimensions

Size Code	Shaft Diameter	Expansion			Fixed			B Distance Between Bolt Holes	R Bolt Circle Radius	C	D	F Bolts	G	M	N	P	S	Approx. Weight
		Part Number	A	H	Part Number	A	H											
3-Bolt																		
4	1 7/16	ZBS6107	3 3/4	5/8	ZB6107	3 7/16	5/8	4 21/64	2 1/2	6 1/4	3 21/64	1/2	1/32	2 25/64	1 3/4	1 9/64	3 9/16	6.80
	35.00	ZBS6035MM	95.25	15.88	ZB6035MM	87.31	15.88	109.93	63.50	158.75	84.53	13.00	0.79	60.72	44.45	28.97	90.49	3.10
4-Bolt Round																		
5	1 11/16	ZBS6111	4 1/4	5/8	ZB6111	3 15/16	5/8	3 57/64	2 3/4	6 3/4	3 47/64	1/2	1/32	2 41/64	2 1/32	1 9/32	4 1/16	8.60
	40.00	ZBS6040MM	107.95	15.88	ZB6040MM	100.01	15.88	98.82	69.85	171.45	94.85	13.00	0.79	67.07	51.59	32.54	103.19	3.90
6	1 15/16	ZBS6115	4 1/2	11/16	ZB6115	4 1/4	11/16	4 1/16	2 7/8	7	3 41/64	1/2	1/16	2 55/64	2 5/16	1 1/8	4 3/8	9.80
	45.00	ZBS6045MM	114.30	17.46	ZB6045MM	107.95	17.46	103.19	73.03	177.80	92.47	13.00	1.59	72.63	58.740	28.58	111.130	4.20
7	2 3/16	ZBS6203	4 7/8	11/16	ZB6203	4 7/8	11/16	4 1/2	3 3/16	7 3/4	3 11/16	5/8	3/32	3 15/64	2 5/8	1 5/32	5	13.30
	50.00	ZBS6050MM	123.83	17.46	ZB6050MM	123.83	17.46	114.30	80.96	196.85	93.66	16.00	2.38	82.15	66.680	29.37	127.000	6.50
8	2 3/8	ZBS6206	5 3/8	3/4	ZB6206	5 3/8	3/4	4 49/64	3 3/8	8 1/8	4 1/16	5/8	3/32	3 19/32	2 29/32	1 27/64	5 7/16	16.70
	60.00	ZBS6060MM	136.53	19.05	ZB6060MM	136.53	19.05	121.06	85.73	206.38	103.19	16.00	2.38	91.28	73.810	36.12	138.110	8.10
9	2 11/16	ZBS6211	6 1/4	7/8	ZB6211	6 1/4	7/8	5 9/16	3 15/16	9 1/2	4 17/32	3/4	3/32	4 3/32	3 3/8	1 25/64	6 5/16	26.50
	70.00	ZBS6070MM			158.75													22.23
10	3 3/16	ZBS6303	7 3/8	1 3/8	ZB6303	7 3/8	1	6 23/32	4 3/4	8 7/16	5 1/32	3/4	1/4	4 61/64	3 31/32	1 19/32	7 3/8	37.00
	80.00	ZBS6080MM			187.33													34.93
11	3 11/16	ZBS6311	8 3/8	1 1/2	ZB6311	8 1/2	1 3/16	7 19/32	5 3/8	9 3/4	5 25/32	7/8	1/4	5 43/64	4 9/16	1 47/64	8 1/2	59.00
	90.00	ZBS6090MM			212.73													38.10
10	3 7/16	ZBS6307	7 3/8	1 3/8	ZB6307	7 3/8	1	6 23/32	4 3/4	8 7/16	5 1/32	3/4	1/4	4 61/64	3 31/32	1 19/32	7 3/8	34.60
	85.00	ZBS6085MM			187.33													34.93
11	3 15/16	ZBS6315	8 3/8	1 1/2	ZB6315	8 1/2	1 3/16	7 19/32	5 3/8	9 3/4	5 25/32	7/8	1/4	5 43/64	4 9/16	1 47/64	8 1/2	56.00
	100.00	ZBS6100MM			212.73													38.10

Additional Notes

- Please call 1-866-REXNORD for availability
- Lubrication fitting tap size, 1/8" PT
- Machined pilot available, add suffix S
- Expansion - 3/8" all size codes
- Seals - To specify G, K or M seal, replace "Z" in part number with "G", "K" or "M"
- Auxiliary end caps - available in all size codes except for size code 4 thru 6 and expansion units
- Also not available on size code 7 on flange side of non-piloted bearings and size code 7 thru 9 on flange side of piloted bearings

Pilot Diameter tolerance, +.000 in/-.003 in (+0.00 mm/-0.08 mm)
 For the Selection Guide, Load Ratings and Speed Limits, see the Spherical Roller Bearings Engineering section on pages 17 - 29.
 Note: Dimensions subject to change. Certified dimensions of ordered material furnished on request.

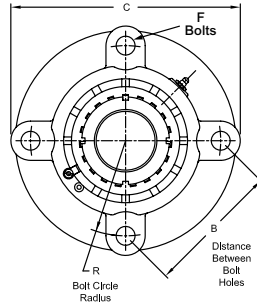
ZB9000, ZBS9000



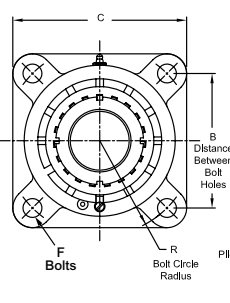
Photo Shows a 4-Bolt Spherical Roller Bearing Flanged Unit

Product Features

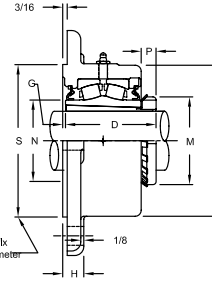
- Corrosion-resistant powder coating
- Cast iron housing
- Misalignment capabilities - total of 4°
- Broad range of sealing options
- Factory set clearance & lubrication
- Precision ground & superfinished raceways
- Enhanced life mounting style
- Field interchangeable seals
- See Features and Benefits for additional info on pages 10 - 13.



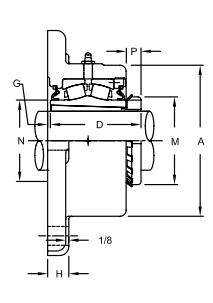
Four Bolt Round Flange Block



Four Bolt Square Flange Block



Side View Flange With Pilot



Side View Flange Block

Bearing Dimensions

Size Code	Shaft Diameter	Expansion			Fixed			B Distance Between Bolt Holes	R Bolt Circle Radius	C	D	F Bolts	G	M	N	P	S	Approx. Weight
		Part Number	A	H	Part Number	A	H											
4-Bolt Round																		
7	1 15/16	ZBS9115			ZB9115													13.50
	2	ZBS9200			ZB9200													13.40
	45.00	ZBS9045MM	123.83	17.46	ZB9045MM	123.83	17.46	114.30	80.96	196.85	80.17	16.00	2.38	75.40	66.680	15.08	127.000	6.40
	50.00	ZBS9050MM			ZB9050MM													6.10
8	2 3/16	ZBS9203	5 3/8	3/4	ZB9203	5 3/8	3/4	4 49/64	3 3/8	8 1/8	3 11/32	5/8	3/32	3 3/8	2 29/32	23/32	5 7/16	17.00
	55.00	ZBS9055MM	136.53	19.05	ZB9055MM	136.53	19.05	121.06	85.73	206.38	84.93	16.00	2.38	85.73	73.810	18.26	138.110	7.70
9	2 7/16	ZBS9207			ZB9207													25.80
	2 1/2	ZBS9208	6 1/4	7/8	ZB9208	6 1/4	7/8	5 9/16	3 15/16	9 1/2	3 3/4	3/4	3/32	3 5/8	3 3/8	5/8	6 5/16	25.40
4-Bolt Square																		
10	2 11/16	ZBS9211			ZB9211													38.20
	2 15/16	ZBS9215	7 3/8	1 3/8	ZB9215	7 3/8	1	6 23/32	4 3/4	8 7/16	4 1/4	3/4	1/4	4 13/32	3 31/32	13/16	7 3/8	37.00
	3	ZBS9300			ZB9300													36.50
	75.00	ZBS9075MM	187.33	34.93	ZB9075MM	187.33	25.40	170.66	120.65	214.31	107.95	19.00	6.35	111.92	100.810	20.64	187.330	16.80
11	3 3/16	ZBS9303	8 3/8	1 1/2	ZB9303	8 1/2	1 3/16	7 19/32	5 3/8	9 3/4	5	7/8	1/4	5 3/16	4 9/16	15/16	8 1/2	62.00
	3 7/16	ZBS9307			ZB9307													60.00
	80.00	ZBS9080MM	212.73	38.10	ZB9080MM	215.90	30.20	192.89	136.53	247.65	127.00	22.00	6.35	131.76	115.890	23.81	215.900	28.10

Additional Notes

- Please call 1-866-REXNORD for availability
- Lubrication fitting tap size, 1/8" PT
- Machined pilot available, add suffix S
- Expansion - 3/8" all size codes
- Seals - To specify G, K or M seal, replace "Z" in part number with "G", "K" or "M"
- Auxiliary end caps - available in all size codes except for size code 7 on flange side of non-piloted bearings and size code 7 thru 9 on flange side of piloted bearings and expansion units
- Pilot Diameter tolerance, +.000 in/-0.003 in (+0.00 mm/-0.08 mm)

For the Selection Guide, Load Ratings and Speed Limits, see the Spherical Roller Bearings Engineering section on pages 17 - 29.

Note: Dimensions subject to change. Certified dimensions of ordered material furnished on request.

ZF5000, ZFS5000 Interchange: QAAFV

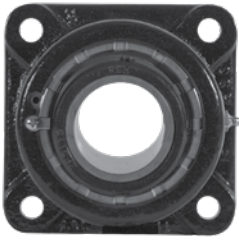
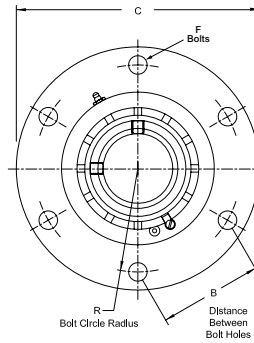
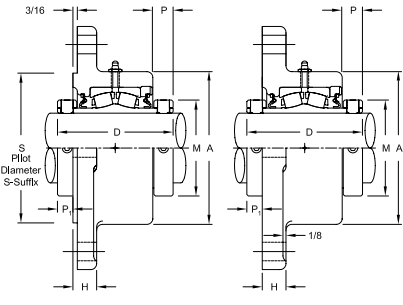


Photo Shows a 4-Bolt Spherical Roller Bearing Flanged Unit

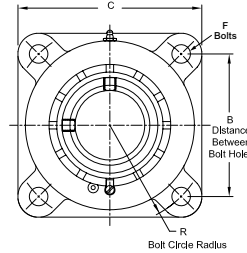


Six Bolt Round Flange Block

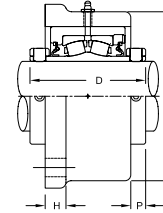


Side View Flange Block With Pilot

Full Side View Flange Block Fixed



Four Bolt Square Flange Block



Full Side View Square Flange Block Floating

Product Features

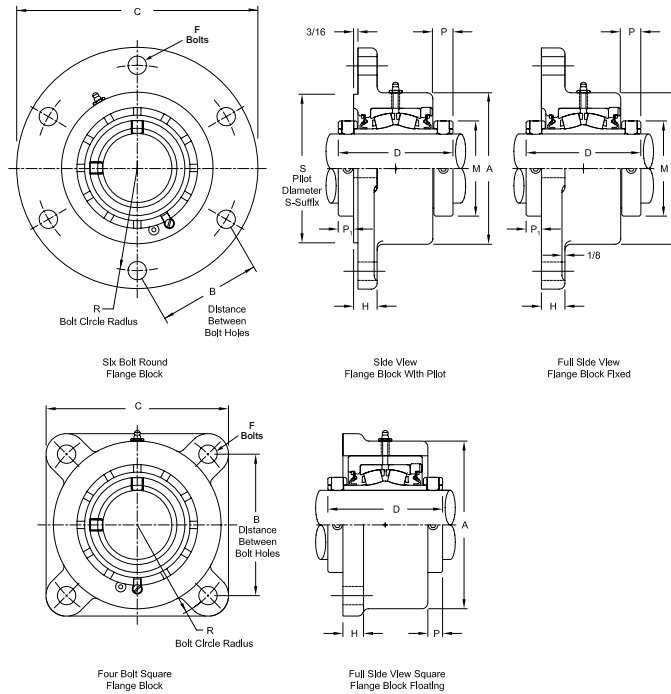
- Corrosion-resistant powder coating
- Cast iron housing
- Misalignment capabilities - total of 4°
- Broad range of sealing options
- Factory set clearance & lubrication
- Precision ground & superfinished raceways
- Two hardened spring locking collars
- Field interchangeable seals
- Fixed or Expansion - up to 3/4" expansion
- See Features and Benefits for additional info on pages 10 - 13.

Bearing Dimensions

Size Code	Shaft Diameter	Expansion						Fixed						B Distance Between Bolt Holes	R Bolt Circle Radius	C	D	H	M	P1	
		Part Number	A	F Bolts	P	S	Approx. Weight	Part Number	A	F Bolts	P	S	Approx. Weight								
4-Bolt Square																					
4	1 7/16	ZFS5107	4 7/16	1/2	15/32	4 7/16	9.60	ZF5107	3 11/16	1/2	11/16	3 9/16	7.60	3 23/32	2 5/8	4 15/16	3 9/16	5/8	2 5/16	1/2	
		35.00	ZFS5035MM	112.71	13.00	11.89	112.710	4.40	ZF5035MM	93.66	13.00	17.46	90.490	3.40	94.46	66.68	125.41	90.49	15.88	58.74	12.70
5	1 1/2	-	-	-	-	-	-	ZF5108	4 1/4	1/2	11/16	4 1/16	10.40	3 57/64	2 3/4	5 1/8	3 13/16	5/8	2 19/32	15/32	
	1 11/16	-	-	-	-	-	-	ZF5111	-	-	-	-	9.70	-	-	-	-	-	-	-	
		40.00	-	-	-	-	-	ZF5040MM	107.95	13.00	17.46	103.190	4.70	98.83	69.85	130.18	96.84	15.88	65.88	11.89	
		45.00	-	-	-	-	-	ZF5045MM	-	-	-	-	4.40	-	-	-	-	-	-	-	
6	1 15/16	ZFS5115	5 1/8	1/2	13/32	5 1/8	12.80	ZF5115	4 1/2	1/2	11/16	4 3/8	10.40	4 1/16	2 7/8	5 5/16	3 13/16	5/8	2 7/8	15/32	
		50.00	ZFS5050MM	130.18	13.00	10.31	130.180	5.80	ZF5050MM	114.30	13.00	17.46	111.130	4.70	103.19	73.03	134.94	96.84	15.88	73.03	11.89
7	2	ZFS5200	5 3/4	5/8	1/2	5 5/8	18.00	ZF5200	5	5/8	13/16	5	14.40	4 1/2	3 3/16	5 7/8	4 1/8	11/16	3 1/4	2 1/32	
		17.30					ZF5203	13.70													
		55.00	ZFS5055MM	146.05	16.00	12.70	142.880	7.80	ZF5055MM	127.00	16.00	20.64	127.000	6.20	114.30	80.96	149.23	104.78	17.46	82.60	11.66
8	2 7/16	ZFS5207	6	5/8	3/16	6	20.30	ZF5207	5 1/2	5/8	7/8	5 7/16	17.50	5 1/32	3 9/16	6 7/16	4 3/8	3/4	3 9/16	5/8	
		60.00	ZFS5060MM	152.40	16.00	14.29	152.400	9.20	ZF5060MM	139.70	16.00	22.23	138.110	7.90	127.80	90.49	163.51	111.13	19.05	90.50	15.88
		65.00	ZFS5065MM	-	-	-	-	8.70	ZF5065MM	-	-	-	-	7.50	-	-	-	-	-	-	-
9	2 1/2	ZFS5208	7 1/8	3/4	5/8	7 1/8	35.40	ZF5208	6 1/2	3/4	7/8	6 5/16	29.90	6 1/64	4 1/4	7 3/4	4 7/8	7/8	4 1/16	2 1/32	
		34.10					ZF5211	28.90													
		33.20					ZF5215	26.90													
		70.00					ZFS5070MM	180.98					19.00								15.88
	75.00	ZFS5075MM	-	-	-	-	15.10	ZF5075MM	-	-	-	-	12.20	-	-	-	-	-	-	-	
10	3 3/16	ZFS5303	8	3/4	9/16	8	47.00	ZF5303	7 3/8	3/4	15/16	7 3/8	40.00	6 23/32	4 3/4	8 7/16	5 5/16	1	4 29/32	1 1/16	
		45.50					ZF5307	38.00													
		80.00					ZFS5080MM	21.30					ZF5080MM								18.10
		85.00					ZFS5085MM	203.20					19.00								14.29
	90.00	ZFS5090MM	-	-	-	-	19.60	ZF5090MM	-	-	-	-	16.20	-	-	-	-	-	-	-	
11	3 11/16	ZFS5311	9 1/2	1	5/8	9 1/2	80.00	ZF5311	8 7/8	1	1 1/32	8 7/8	71.00	8 5/16	5 7/8	10 9/16	6 1/8	1 1/8	5 5/8	13/16	
		77.00					ZF5315	69.00													
		76.00					ZF5400	68.00													
		100.00					ZFS5100MM	241.30					25.00								15.88
6-Bolt Round																					
12	4 3/16	ZFS5403Y	11 5/8	1	11/16	11 5/8	127.00	ZF5403Y	9 1/2	1	1 1/16	10 3/8	98.00	6 7/16	6 7/16	15 1/8	6 1/4	1 1/4	6 3/16	3/4	
		124.00					ZF5407Y	96.00													
		123.00					ZF5408Y	95.00													
		110.00					ZFS5110MM	295.28					25.00								17.46
	115.00	ZFS5115MM	-	-	-	-	56.00	ZF5115MM	-	-	-	-	43.00	-	-	-	-	-	-	-	
13	4 15/16	ZFS5415	12 9/16	1	23/32	12 9/16	184.00	ZF5415	11 3/16	1 1/8	1 5/32	11 3/16	159.00	7	7	16 1/2	7 7/8	1 1/2	7 1/16	3/4	

Continued...

ZF5000, ZFS5000 – 5000 Series Double Locking Collar Spherical Roller Bearing
4-Bolt & 6-Bolt Flanged Block



Continued...

Bearing Dimensions

Size Code	Shaft Diameter	Expansion						Fixed						B Distance Between Bolt Holes	R Bolt Circle Radius	C	D	H	M	P1
		Part Number	A	F Bolts	P	S	Approx. Weight	Part Number	A	F Bolts	P	S	Approx. Weight							
6-Bolt Round (continued)																				
13	5	ZFS5500	12 9/16	1	23/32	12 9/16	183.00	ZF5500	11 3/16	1 1/8	1 3/16	11 3/16	156.00	7	7	16 1/2	7 7/8	1 1/2	7 1/16	3/4
	125.00	ZFS5125MM	319.09	25.00	18.25	319.090	83.00	ZF5125MM	284.16	28.00	29.37	284.160	72.00	177.80	177.80	419.10	200.03	38.10	179.39	19.05
	130.00	ZFS5130MM						ZF5130MM					71.00							

Additional Notes

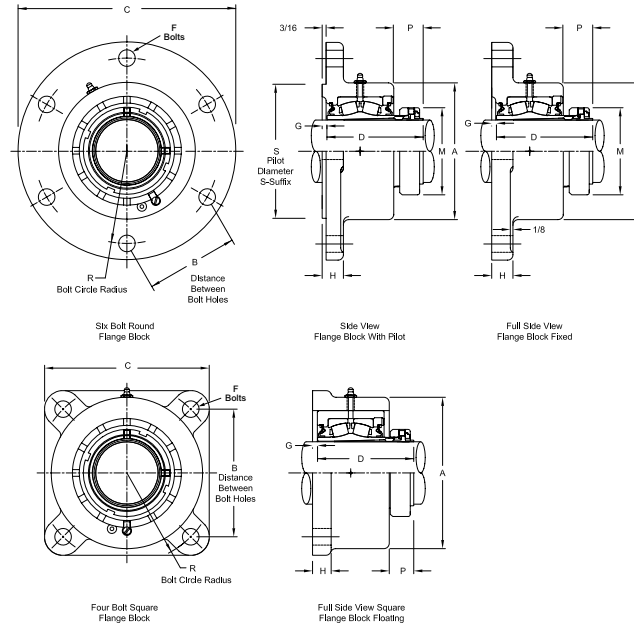
- Please call 1-866-REXNORD for availability
- Metric bore sizes available, see Rex Interchangeability guide
- Lubrication fitting tap size: for size code 4 thru 11, 1/8" PT; for all other size codes, 1/4" PT
- Bore size = nominal shaft size +.001 in/-.000 in (+0.03 mm/-0.00 mm)
- Machined pilot available, add suffix S
- Expansion - size code 4 thru 8 is 3/8", size code 9 thru 11 is 1/2" & size code 12 thru 13 is 3/4"
- Seals - To specify G, K or M seal, replace "Z" in part number with "G", "K" or "M"

- "K" seals only available in size codes 4 thru 11
- Auxiliary end caps - available in all size codes except for size codes 4 thru 6 on flange side of piloted bearings and size code 12 ZFS bearings
- Pilot Diameter tolerance, +.000 in/-.003 in (+0.00 mm/-0.08 mm)
- For the Selection Guide, Load Ratings and Speed Limits, see the Spherical Roller Bearings Engineering section on pages 17 - 29.
- Note: Dimensions subject to change. Certified dimensions of ordered material furnished on request.

ZF6000, ZFS6000
Interchange: QVFX, QVVFX



Photo Shows a 4-Bolt Spherical Roller Bearing Flanged Unit



Product Features

- Positive locking system
- Tapered adapter sleeve
- Corrosion-resistant powder coating
- Cast iron housing
- Misalignment capabilities - total of 4°
- Broad range of sealing options
- Factory set clearance & lubrication
- Precision ground & superfinished raceways
- See Features and Benefits for additional info on pages 10 - 13.

Bearing Dimensions

Size Code	Shaft Dia.	Expansion							Fixed							B Distance Between Bolt Holes	R Bolt Circle Radius	C	D	H	M
		Part Number	A	F Bolts	G	P	S	Approx. Weight	Part Number	A	F Bolts	G	P	S	Approx. Weight						
4-Bolt Square																					
4	1 7/16	ZFS6107	4 7/16	1/2	1/32	1 9/64	4 7/16	7.10	ZF6107	4 7/16	1/2	1/32	1 9/64	3 9/16	7.10	3 23/32	2 5/8	4 15/16	3 21/64	5/8	2 25/64
	35.00	ZFS6035MM	112.71	13.00	0.79	28.97	112.71	3.20	ZF6035MM	112.71	13.00	0.79	28.97	90.49	3.20	94.46	66.68	125.41	84.53	15.88	60.72
5	1 11/16								ZF6111	4 3/4	1/2	1/32	1 9/32	4 1/16	9.10	3 57/64	2 3/4	5 1/8	3 47/64	5/8	2 41/64
	40.00								ZF6040MM	120.65	13.00	0.79	32.54	103.19	4.10	98.82	69.85	130.18	94.85	15.88	67.07
6	1 15/16	ZFS6115	5 1/8	1/2	1/16	1	5 1/8	12.80	ZF6115	4 1/2	1/2	1/16	1 1/8	4 3/8	10.40	4 1/16	2 7/8	5 5/16	3 41/64	5/8	2 55/64
	45.00	ZFS6045MM	130.18	13.00	1.59	25.40	130.180	5.80	ZF6045MM	114.30	13.00	1.59	28.58	111.130	4.70	103.19	73.03	134.94	92.47	15.88	72.63
7	2 3/16	ZFS6203	5 3/4	5/8	3/32	1 1/16	5 5/8	17.30	ZF6203	5	5/8	3/32	1 5/32	5	13.70	4 1/2	3 3/16	5 7/8	3 11/16	1 1/16	3 15/64
	50.00	ZFS6050MM	146.05	16.00	2.38	26.99	142.880	7.80	ZF6050MM	127.00	16.00	2.38	29.37	127.000	6.20	114.30	80.96	149.23	93.66	17.46	82.15
	55.00	ZFS6055MM							ZF6055MM												
8	2 3/8	ZFS6206	6	5/8	3/32	1 19/64	6	20.60	ZF6206	5 1/2	5/8	3/32	1 27/64	5 7/16	17.80	5 1/32	3 9/16	6 7/16	4 1/16	3/4	3 19/32
	2 7/16	ZFS6207	6	5/8	3/32	1 19/64	6	20.30	ZF6207	5 1/2	5/8	3/32	1 27/64	5 7/16	17.50	5 1/32	3 9/16	6 7/16	4 1/16	3/4	3 19/32
9	60.00	ZFS6060MM	152.40	16.00	2.38	32.94	152.400	9.20	ZF6060MM	139.70	16.00	2.38	36.12	138.110	7.90	127.80	90.49	163.51	103.19	19.05	91.28
	2 11/16	ZFS6211						35.40	ZF6211						29.90						
	2 3/4	ZFS6212	7 1/8	3/4	3/32	1 17/64	7 1/8	34.70	ZF6212	6 1/2	3/4	3/32	1 25/64	6 5/16	29.20	6 1/64	4 1/4	7 3/4	4 17/32	7/8	4 3/32
	2 15/16	ZFS6215						34.10	ZF6215						28.90						
	65.00	ZFS6065MM							ZF6065MM												
	70.00	ZFS6070MM	180.98	19.00	2.38	32.15	180.980	15.50	ZF6070MM	165.10	19.00	2.38	35.32	160.340	13.10	152.80	107.95	196.85	115.09	22.23	103.98
75.00	ZFS6075MM						15.10	ZF6075MM						12.20							
10	3 3/16	ZFS6303	8	3/4	1/4	1 15/32	8	47.00	ZF6303	7 3/8	3/4	1/4	1 19/32	7 3/8	40.00	6 23/32	4 3/4	8 7/16	5 1/32	1	4 61/64
	3 7/16	ZFS6307						45.50	ZF6307						38.00						
	80.00	ZFS6080MM	203.20	19.00	6.35	37.31	203.200	21.30	ZF6080MM	187.33	19.00	6.35	40.48	187.330	18.10	170.67	120.65	214.31	127.79	25.40	125.81
85.00	ZFS6085MM						20.60	ZF6085MM						17.20							
11	3 11/16	ZFS6311	9 1/2	1	1/4	1 39/64	9 1/2	80.00	ZF6311	8 7/8	1	1/4	1 47/64	8 7/8	71.00	8 5/16	5 7/8	10 9/16	5 25/32	1 1/8	5 43/64
	3 15/16	ZFS6315						77.00	ZF6315						69.00						
	90.00	ZFS6090MM	241.30	25.00	6.35	40.88	241.300	35.00	ZF6090MM	225.43	25.00	6.35	44.05	225.430	31.30	211.14	149.23	268.29	146.84	28.58	144.07
100.00	ZFS6100MM							ZF6100MM													
6-Bolt Round																					
12	4 3/16	ZFS6403Y	11 5/8	1	1/8	1 3/4	11 5/8	127.00	ZF6403Y	9 1/2	1	1/8	1 7/8	10 3/8	98.00	6 7/16	6 7/16	15 1/8	6 1/4	1 1/4	6 1/16
	4 7/16	ZFS6407Y						124.00	ZF6407Y						96.00						
	110.00	ZFS6110MM	295.28	25.00	3.18	44.45	295.280	56.00	ZF6110MM	241.30	25.00	3.18	47.63	263.530	43.50	163.51	163.51	384.18	158.75	31.75	153.99

Additional Notes

- Please call 1-866-REXNORD for availability
- Lubrication fitting tap size: for size code 6 thru 11, 1/8" PT; for all other size codes, 1/4" PT
- Machined pilot available, add suffix S
- Expansion - size code 6 thru 8 is 3/8", size code 9 thru 11 is 1/2" & size code 12 thru 13 is 3/4"
- Seals - To specify G, K or M seal, replace "Z" in part number with "G", "K" or "M"

"K" seals only available in size codes 4 thru 11

Auxiliary end caps - available in all size codes except for size code 6 on flange side of piloted bearings and size code 12 ZFS bearings

For the Selection Guide, Load Ratings and Speed Limits, see the Spherical Roller Bearings Engineering section on pages 17 - 29.

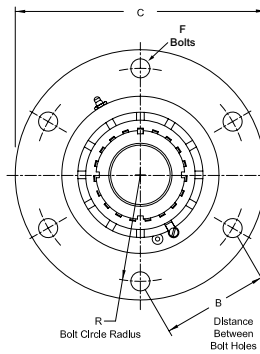
Note: Dimensions subject to change. Certified dimensions of ordered material furnished on request.

ZF9000, ZFS9000

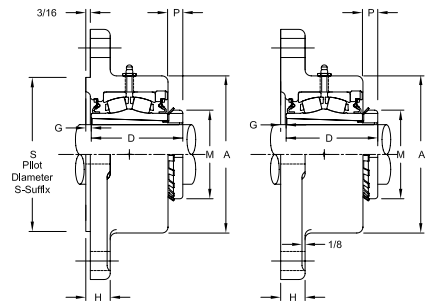
Interchange: QVFK, QVVFK, TAFK



Photo Shows a 4-Bolt Spherical Roller Bearing Flanged Unit



Six Bolt Round Flange Block

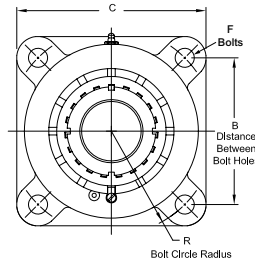


Side View Flange Block With Pilot

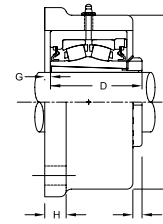
Full Side View Flange Block Fixed

Product Features

- Corrosion-resistant powder coating
- Cast iron housing
- Misalignment capabilities - total of 4°
- Broad range of sealing options
- Factory set clearance & lubrication
- Precision ground & superfinished raceways
- Enhanced life mounting style
- Field interchangeable seals
- Fixed or Expansion - up to 3/4" expansion
- See Features and Benefits for additional info on pages 10 - 13.



Four Bolt Square Flange Block



Full Side View Square Flange Block Floating

Bearing Dimensions

Size Code	Shaft Diameter	Flange Block - Expansion							Flange Block - Fixed							B Distance Between Bolt Holes	R Bolt Circle Radius	C	D	H	M
		Part Number	A	F Bolts	G	P	S	Approx. Weight	Part Number	A	F Bolts	G	P	S	Approx. Weight						
4-Bolt Square																					
7	1 ¹⁵ / ₁₆	ZFS9115	5 ³ / ₄	5/8	5/16	5/16	5 ⁵ / ₈	16.00	ZF9115	5	5/8	1 ¹ / ₆₄	1 ⁹ / ₃₂	5	12.90	4 ¹ / ₂	3 ³ / ₁₆	5 ⁷ / ₈	3 ⁵ / ₃₂	1 ¹ / ₁₆	2 ³ / ₃₂
	2	ZFS9200					15.00	ZF9200						12.70							
	45.00	ZFS9045MM	146.05	16.00	7.94	7.94	142.880	7.20	ZF9045MM	127.00	16.00	4.34	15.08	127.000	6.10						
	50.00	ZFS9050MM						7.00	ZF9050MM						5.80						
8	2 ³ / ₁₆	ZFS9203	6	5/8	5/16	1 ¹ / ₃₂	6	19.00	ZF9203	5 ¹ / ₂	5/8	1/4	2 ³ / ₃₂	5 ⁷ / ₁₆	16.40	5 ¹ / ₃₂	3 ⁹ / ₁₆	6 ⁷ / ₁₆	3 ¹¹ / ₃₂	3/4	3 ³ / ₈
	55.00	ZFS9055MM	152.40	16.00	7.94	8.73	152.400	8.60	ZF9055MM	139.70	16.00	6.35	18.26	138.110	7.50	127.80	90.49	163.51	84.93	19.05	85.73
9	2 ⁷ / ₁₆	ZFS9207	7 ¹ / ₈	3/4	1/4	1 ⁵ / ₃₂	7 ¹ / ₈	31.00	ZF9207	6 ¹ / ₂	3/4	1 ⁵ / ₆₄	5/8	6 ⁵ / ₁₆	26.60	6 ¹ / ₆₄	4 ¹ / ₄	7 ³ / ₄	3 ³ / ₄	7/8	3 ⁵ / ₈
	2 ¹ / ₂	ZFS9208						26.40	ZF9208						26.40						
10	2 ¹¹ / ₁₆	ZFS9211	8	3/4	3/8	7/16	8	45.30	ZF9211	7 ³ / ₈	3/4	1/4	1 ³ / ₁₆	7 ³ / ₈	37.60	6 ² / ₃₂	4 ³ / ₄	8 ⁷ / ₁₆	4 ¹ / ₄	1	4 ¹³ / ₃₂
	2 ⁵ / ₁₆	ZFS9215						44.00	ZF9215						37.00						
	3	ZFS9300						43.00	ZF9300						36.60						
	75.00	ZFS9075MM						203.20	19.00						9.53						
11	3 ³ / ₁₆	ZFS9303	9 ¹ / ₂	1	3/8	9/16	9 ¹ / ₂	79.00	ZF9303	8 ⁷ / ₈	1	1/4	1 ⁵ / ₁₆	8 ⁷ / ₈	66.00	8 ⁵ / ₁₆	5 ⁷ / ₈	10 ⁹ / ₁₆	5	1 ¹ / ₈	5 ³ / ₁₆
	3 ⁷ / ₁₆	ZFS9307					76.00	ZF9307						65.00							
	80.00	ZFS9080MM	241.30	25.00	9.53	14.29	241.300	36.00	ZF9080MM	225.43	25.00	6.35	23.81	225.430	30.00	211.14	149.23	268.29	127.00	28.58	131.76
6-Bolt Round																					
12	3 ¹¹ / ₁₆	ZFS9311Y	11 ⁵ / ₈	1	3/16	2 ³ / ₃₂	11 ⁵ / ₈	126.00	ZF9311Y	9 ¹ / ₂	1	1/8	1 ¹ / ₃₂	10 ³ / ₈	96.00	6 ⁷ / ₁₆	6 ⁷ / ₁₆	15 ¹ / ₈	5 ¹⁷ / ₃₂	1 ¹ / ₄	5 ²³ / ₃₂
	3 ¹⁵ / ₁₆	ZFS9315Y						124.00	ZF9315Y						94.00						
	4	ZFS9400Y						123.00	ZF9400Y						93.00						
100.00	ZFS9100MM	295.28	25.00	4.76	18.25	295.280	56.00	ZF9100MM	241.30	25.00	3.18	26.19	263.530	43.00	163.51	163.51	384.18	140.49	31.75	145.26	
13	4 ³ / ₁₆	ZFS9403	12 ⁹ / ₁₆	1	5/16	5/8	12 ⁹ / ₁₆	184.00	ZF9403	11 ³ / ₁₆	1 ¹ / ₈	9/32	1 ¹ / ₈	11 ³ / ₁₆	159.00	7	7	16 ¹ / ₂	6 ³ / ₄	1 ¹ / ₂	6 ¹ / ₈
	4 ⁷ / ₁₆	ZFS9407						182.00	ZF9407						157.00						

Additional Notes

- Please call 1-866-REXNORD for availability
- Lubrication fitting tap size: for size code 7 thru 11, 1/8" PT; for all other size codes, 1/4" PT
- Machined pilot available, add suffix S
- Expansion - size code 7 thru 8 is 3/8", size code 9 thru 11 is 1/2" & size code 12 thru 13 is 3/4"
- Seals - To specify G, K or M seal, replace "Z" in part number with "G", "K" or "M"
- "K" seals only available in size codes 7 thru 11

Auxiliary end caps - available in all size codes except size code 12 ZFS bearings
 For the Selection Guide, Load Ratings and Speed Limits, see the Spherical Roller Bearings Engineering section on pages 17 - 29.

Note: Dimensions subject to change. Certified dimensions of ordered material furnished on request.

ZEF2000

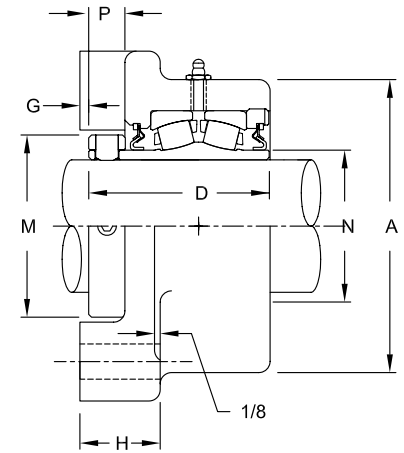
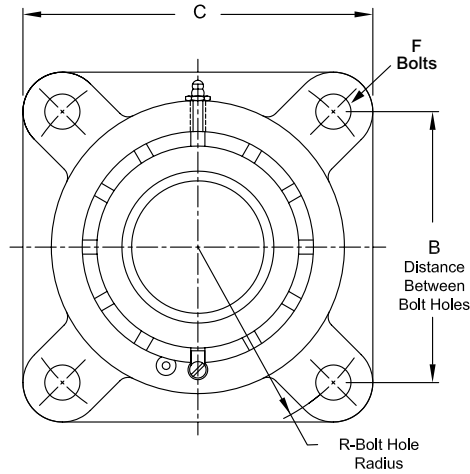
Interchange: EF4BS2, F4BE, FYE, USFBE5000, RFBA, QAF, E4BFTRB



Photo Shows a 4-Bolt Spherical Roller Bearing Flanged Unit

Product Features

- Corrosion-resistant powder coating
- Cast iron housing
- Misalignment capabilities - total of 4°
- Broad range of sealing options
- Factory set clearance & lubrication
- Precision ground & superfinished raceways
- Hardened spring locking collar
- Field interchangeable seals
- See Features and Benefits for additional info on pages 10 - 13.



Bearing Dimensions

Size Code	Shaft Diameter	Part Number	B Distance Between Bolt Holes	R Bolt Circle Radius	A	C	D	F Bolts	G	H	M	N	P	Approx. Weight
4	1 7/16	ZEF2107	3 1/2	2 15/32	3 11/16	4 5/8	2 7/8	1/2	1/16	1 3/8	2 5/16	1 3/4	11/16	7.20
	1 1/2	ZEF2108	4 1/8	2 59/64	4 1/4	5 3/8			1/8	1 7/16				10.00
	35.00	ZEF2035MM	88.90	62.69	93.66	117.48	73.02	13.00	1.59	34.93	58.74	44.450	17.46	3.20
5	1 11/16	ZEF2111	4 1/8	2 59/64	4 1/4	5 3/8	3 1/8	1/2	1/8	1 7/16	2 19/32	2 1/32	11/16	10.00
	1 3/4	ZEF2112	4 3/8	3 3/32	4 1/2	5 5/8				1 1/2				36.51
	40.00	ZEF2040MM	104.78	74.24	107.95	136.53	79.38	13.00	3.18	38.10	65.88	51.590	17.46	4.50
6	1 15/16	ZEF2115	4 3/8	3 3/32	4 1/2	5 5/8	3 1/8	1/2	1/8	1 1/2	2 7/8	2 5/16	11/16	11.00
	2	ZEF2200												10.80
	50.00	ZEF2050MM	111.13	78.59	114.30	142.88	79.38	13.00	3.18	38.10	73.03	58.740	17.46	4.90
7	2 3/16	ZEF2203	4 7/8	3 29/64	5	6 1/4	3 5/16	5/8	1/8	1 1/2	3 1/4	2 5/8	13/16	14.10
	55.00	ZEF2055MM	123.83	87.71	127.00	158.75	84.14	16.00	3.18	38.10	82.55	66.680	20.64	6.40
8	2 7/16	ZEF2207	5 3/8	3 51/64	5 1/2	6 7/8	3 1/2	5/8	3/16	1 11/16	3 9/16	2 29/32	7/8	17.30
	2 1/2	ZEF2208												17.10
	60.00	ZEF2060MM	135.53	96.42	139.70	174.63	88.90	16.00	4.76	42.86	90.49	73.810	22.23	7.80
9	2 11/16	ZEF2211	6	4 1/4	6 1/2	7 3/4	4	3/4	3/16	1 13/16	4 1/16	3 3/8	7/8	28.40
	2 3/4	ZEF2212												28.20
	2 15/16	ZEF2215												27.20
	3	ZEF2300												26.90
	70.00	ZEF2070MM	152.40	107.95	165.10	196.85	101.60	19.00	4.76	46.04	103.19	85.730	22.23	12.80
75.00	ZEF2075MM												12.40	
10	3 3/16	ZEF2303	7	4 61/64	7 3/8	9 1/4	4 3/8	3/4	1/4	1 15/16	4 29/32	3 31/32	15/16	42.00
	3 7/16	ZEF2307												40.50
	3 1/2	ZEF2308												40.00
	80.00	ZEF2080MM												177.80
	85.00	ZEF2085MM												18.60
90.00	ZEF2090MM												18.10	
11	3 11/16	ZEF2311	7 3/4	5 31/64	8 7/8	10 1/4	5 1/16	7/8	1/4	2 3/16	5 5/8	4 9/16	1 1/32	64.00
	3 15/16	ZEF2315												69.00
	4	ZEF2400												68.00
100.00	ZEF2100MM	196.85	139.29	225.43	260.35	128.59	22.00	6.35	55.56	142.88	115.890	26.19	31.30	

Additional Notes

- Please call 1-866-REXNORD for availability
- Metric bore sizes available, see Rex Interchangeability guide
- Lubrication fitting tap size, 1/8" PT
- Bore size = nominal shaft size +.001 in/-.000 in (+0.03 mm/-0.00 mm)
- Seals - To specify G, K or M seal, replace "Z" in part number with "G", "K" or "M"
- Auxiliary end caps - available in all size codes

For the Selection Guide, Load Ratings and Speed Limits, see the Spherical Roller Bearings Engineering section on pages 17 - 29.
 Note: Dimensions subject to change. Certified dimensions of ordered material furnished on request.

ZEF3000

Interchange: QMF

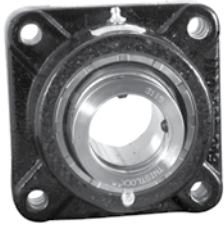
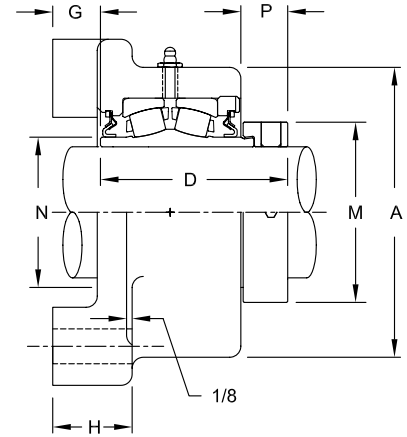
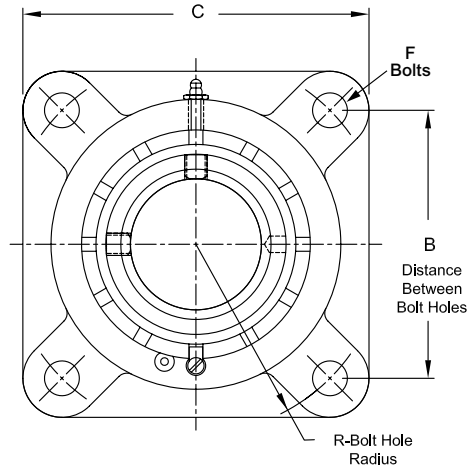


Photo Shows a 4-Bolt Spherical Roller Bearing Flanged Unit

Product Features

- Corrosion-resistant powder coating
 - Cast iron housing
 - Misalignment capabilities - total of 4°
 - Broad range of sealing options
 - Factory set clearance & lubrication
 - Precision ground & superfinished raceways
 - Hardened eccentric locking collar
 - Field interchangeable seals
- See Features and Benefits for additional info on pages 10 - 13.



Bearing Dimensions

Size Code	Shaft Diameter	Part Number	B Distance Between Bolt Holes	R Bolt Circle Radius	A	C	D	F Bolts	G	H	M	N	P	Approx. Weight
4	1 7/16	ZEF3107	3 1/2	2 15/32	3 11/16	4 5/8	2 59/64	1/2	3/4	1 3/8	2 5/16	1 3/4	25/32	7.40
5	1 11/16	ZEF3111	4 1/8	2 59/64	4 1/4	5 3/8	3 3/16	1/2	13/16	1 7/16	2 5/8	2 1/32	3/4	10.30
6	1 15/16	ZEF3115	4 3/8	3 3/32	4 1/2	5 3/8	3 9/32	1/2	7/8	1 1/2	2 3/4	2 5/16	27/32	11.20
7	2 3/16	ZEF3203	4 7/8	3 29/64	5	6 1/4	3 1/2	5/8	15/16	1 1/2	3 1/4	2 5/8	31/32	11.00
8	2 7/16	ZEF3207	5 3/8	3 51/64	5 1/2	6 7/8	3 21/32	5/8	1 1/16	1 11/16	3 9/16	2 29/32	1 1/64	17.50
	2 1/2	ZEF3208												16.50
9	2 11/16	ZEF3211	6	4 1/4	6 1/2	7 3/4	4 13/64	3/4	1 1/16	1 13/16	4 1/16	3 3/8	1 1/64	28.60
	2 15/16	ZEF3215												27.60
10	3 7/16	ZEF3307	7	4 81/64	7 3/8	9 1/4	4 37/64	3/4	1 11/64	1 15/16	4 15/16	3 31/32	1 9/64	41.10
	3 1/2	ZEF3308												40.20
11	3 15/16	ZEF3315	7 3/4	5 31/64	8 7/8	10 1/4	5 3/16	7/8	1 5/16	2 3/16	5 5/8	4 9/16	1 1/16	62.70

Additional Notes

- Please call 1-866-REXNORD for availability
- Lubrication fitting tap size, 1/8" PT
- Bore size = nominal shaft size +.001 in/-.000 in (+0.03 mm/-0.00 mm)
- Seals - To specify G, K or M seal, replace "Z" in part number with "G", "K" or "M"
- Auxiliary end caps - available in all size codes

For the Selection Guide, Load Ratings and Speed Limits, see the Spherical Roller Bearings Engineering section on pages 17 - 29.

Note: Dimensions subject to change. Certified dimensions of ordered material furnished on request.

ZEF5000

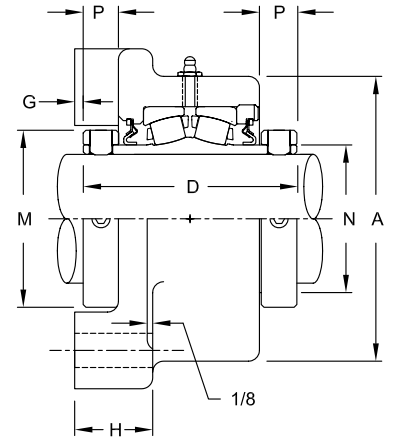
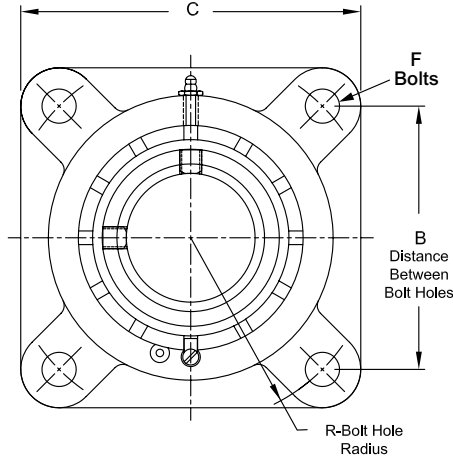
Interchange: RFB, QAAF



Photo Shows a 4-Bolt Spherical Roller Bearing Flanged Unit

Product Features

- Corrosion-resistant powder coating
- Cast iron housing
- Misalignment capabilities - total of 4°
- Broad range of sealing options
- Factory set clearance & lubrication
- Precision ground & superfinished raceways
- Two hardened spring locking collars
- Field interchangeable seals
- See Features and Benefits for additional info on pages 10 - 13.



Bearing Dimensions

Size Code	Shaft Diameter	Part Number	B Distance Between Bolt Holes	R Bolt Circle Radius	A	C	D	F Bolts	G	H	M	N	P	Approx. Weight
4	1 7/16	ZEF5107	3 1/2	2 15/32	3 11/16	4 5/8	3 9/16	1/2	1/16	1 3/8	2 5/16	1 3/4	11/16	7.70
	35.00	ZEF5035MM	88.90	62.69	93.66	117.48	90.49	13.00	1.59	34.93	58.74	44.450	17.46	3.50
5	1 1/2	ZEF5108	4 1/8	2 59/64	4 1/4	5 3/8	3 13/16	1/2	1/8	1 7/16	2 19/32	2 1/32	11/16	11.00
	1 11/16	ZEF5111												10.60
	40.00	ZEF5040MM												5.00
	45.00	ZEF5045MM	104.78	74.24	107.95	136.53	96.84	13.00	3.18	36.51	65.88	51.590	17.46	4.80
6	1 15/16	ZEF5115	4 3/8	3 3/32	4 1/2	5 5/8	3 13/16	1/2	1/8	1 1/2	2 7/8	2 5/16	11/16	11.70
	50.00	ZEF5050MM	111.13	78.59	114.30	142.88	96.84	13.00	3.18	38.10	73.03	58.740	17.46	5.30
7	2	ZEF5200	4 7/8	3 29/64	5	6 1/4	4 1/8	5/8	1/8	1 1/2	3 1/4	2 5/8	13/16	15.70
	2 3/16	ZEF5203												15.10
	55.00	ZEF5055MM												123.83
8	2 7/16	ZEF5207	5 3/8	3 51/64	5 1/2	6 7/8	4 3/8	5/8	3/16	1 11/16	3 9/16	2 29/32	7/8	18.30
	60.00	ZEF5060MM	135.53	96.42	139.70	174.63	111.13	16.00	4.76	42.86	90.50	73.810	22.23	8.30
	65.00	ZEF5065MM												8.70
9	2 1/2	ZEF5208	6	4 1/4	6 1/2	7 3/4	4 7/8	3/4	3/16	1 13/16	4 1/16	3 3/8	7/8	31.10
	2 11/16	ZEF5211												30.10
	2 15/16	ZEF5215												29.60
	70.00	ZEF5070MM												13.70
	75.00	ZEF5075MM	152.40	107.95	165.10	196.85	123.83	19.00	4.76	46.04	103.20	85.730	22.23	13.40
10	3 3/16	ZEF5303	7	4 61/64	7 3/8	9 1/4	5 5/16	3/4	1/4	1 15/16	4 29/32	3 31/32	15/16	44.60
	3 7/16	ZEF5307												42.70
	80.00	ZEF5080MM												20.20
	85.00	ZEF5085MM												177.80
	90.00	ZEF5090MM												19.40
11	3 11/16	ZEF5311	7 3/4	5 31/64	8 7/8	10 1/4	6 1/8	7/8	1/4	2 3/16	5 5/8	4 9/16	1 1/32	66.50
	3 15/16	ZEF5315												65.50
	4	ZEF5400												64.50
	100.00	ZEF5100MM												196.85

Additional Notes

- Please call 1-866-REXNORD for availability
- Metric bore sizes available, see Rex Interchangeability guide
- Lubrication fitting tap size, 1/8" PT
- Bore size = nominal shaft size +.001 in/-.000 in (+0.03 mm/-0.00 mm)
- Seals - To specify G, K or M seal, replace "Z" in part number with "G", "K" or "M"
- Auxiliary end caps - available in all size codes

For the Selection Guide, Load Ratings and Speed Limits, see the Spherical Roller Bearings Engineering section on pages 17 - 29.

Note: Dimensions subject to change. Certified dimensions of ordered material furnished on request.

ZEF6000

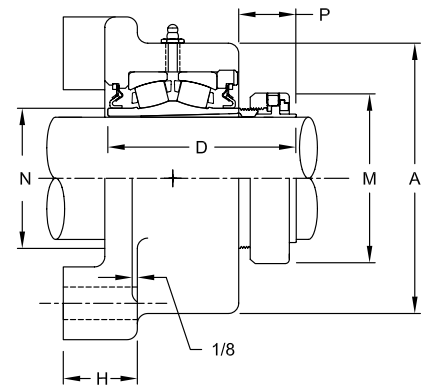
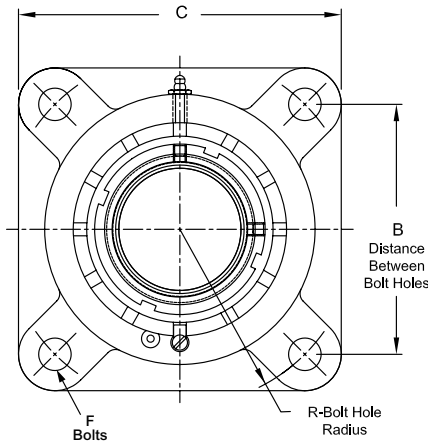
Interchange: EF4BIP, USFBE5000A, QVF, QVVF, DVF



Photo Shows a 4-Bolt Spherical Roller Bearing Flanged Unit

Product Features

- Positive locking system
- Tapered adapter sleeve
- Corrosion-resistant powder coating
- Cast iron housing
- Misalignment capabilities - total of 4°
- Broad range of sealing options
- Factory set clearance & lubrication
- Precision ground & superfinished raceways
- See Features and Benefits for additional info on pages 10 - 13.



Bearing Dimensions

Size Code	Shaft Diameter	Part Number	B Distance Between Bolt Holes	R Bolt Circle Radius	A	C	D	F Bolts	H	M	N	P	Approx. Weight
4-Bolt													
4	1 ⁷ / ₁₆	ZEF6107	3 ¹ / ₂	2 ¹⁵ / ₃₂	3 ¹¹ / ₁₆	4 ⁵ / ₈	3 ²¹ / ₆₄	1/2	1 ³ / ₈	2 ²⁵ / ₆₄	1 ³ / ₄	1 ⁹ / ₆₄	7.20
	35.00	ZEF6035MM	88.90	62.71	93.66	117.48	84.53	13.00	34.93	60.72	44.45	28.97	3.30
5	1 ¹¹ / ₁₆	ZEF6111	4 ¹ / ₈	2 ⁵⁹ / ₆₄	4 ¹ / ₄	5 ³ / ₈	3 ⁴⁷ / ₆₄	1/2	1 ⁷ / ₁₆	2 ⁴¹ / ₆₄	2 ¹ / ₃₂	1 ⁹ / ₃₂	10.00
	40.00	ZEF6040MM	104.78	74.22	107.95	136.53	94.85	13.00	36.51	67.07	51.59	32.54	4.50
6	1 ¹⁵ / ₁₆	ZEF6115	4 ³ / ₈	3 ³ / ₃₂	4 ¹ / ₂	5 ⁵ / ₈	3 ⁴¹ / ₆₄	1/2	1 ¹ / ₂	2 ⁵⁵ / ₆₄	2 ⁵ / ₁₆	1 ¹ / ₈	11.70
	45.00	ZEF6045MM	111.13	78.59	114.30	142.88	92.47	13.00	38.10	72.63	58.740	28.58	4.80
7	2 ³ / ₁₆	ZEF6203	4 ⁷ / ₈	3 ²⁹ / ₆₄	5	6 ¹ / ₄	3 ¹¹ / ₁₆	5/8	1 ¹ / ₂	3 ¹⁵ / ₆₄	2 ⁵ / ₈	1 ⁵ / ₃₂	15.70
	50.00	ZEF6050MM	123.83	87.71	127.00	158.75	93.66	16.00	38.10	82.15	66.680	29.37	6.80
	55.00	ZEF6055MM											
8	2 ³ / ₈	ZEF6206	5 ³ / ₈	3 ⁵¹ / ₆₄	5 ¹ / ₂	6 ⁷ / ₈	4 ¹ / ₁₆	5/8	1 ¹¹ / ₁₆	3 ¹⁹ / ₃₂	2 ²⁹ / ₃₂	1 ²⁷ / ₆₄	18.90
	2 ⁷ / ₁₆	ZEF6207											18.30
	60.00	ZEF6060MM	135.53	96.42	139.70	174.63	103.19	16.00	42.86	91.28	73.810	36.12	8.30
9	2 ¹¹ / ₁₆	ZEF6211	6	4 ¹ / ₄	6 ¹ / ₂	7 ³ / ₄	4 ¹⁷ / ₃₂	3/4	1 ¹³ / ₁₆	4 ³ / ₃₂	3 ³ / ₈	1 ²⁵ / ₆₄	31.10
	2 ³ / ₄	ZEF6212											30.10
	2 ¹⁵ / ₁₆	ZEF6215											29.60
	65.00	ZEF6065MM	152.40	107.95	165.10	196.85	115.09	19.00	46.04	103.98	85.730	35.32	13.70
	70.00	ZEF6070MM											13.40
75.00	ZEF6075MM	13.40											
10	3 ³ / ₁₆	ZEF6303	7	4 ⁶¹ / ₆₄	7 ³ / ₈	9 ¹ / ₄	5 ¹ / ₃₂	3/4	1 ¹⁵ / ₁₆	4 ⁶¹ / ₆₄	3 ³¹ / ₃₂	1 ¹⁹ / ₃₂	44.60
	3 ⁷ / ₁₆	ZEF6307											42.70
	80.00	ZEF6080MM	177.80	125.81	187.33	234.95	127.79	19.00	49.20	125.81	100.790	40.48	20.20
	85.00	ZEF6085MM											19.80
11	3 ¹¹ / ₁₆	ZEF6311	7 ³ / ₄	5 ³¹ / ₆₄	8 ⁷ / ₈	10 ¹ / ₄	5 ²⁵ / ₃₂	7/8	2 ³ / ₁₆	5 ⁴³ / ₆₄	4 ⁹ / ₁₆	1 ⁴⁷ / ₆₄	66.50
	3 ¹⁵ / ₁₆	ZEF6315											65.50
	90.00	ZEF6090MM	196.85	139.29	225.43	260.35	146.84	22.00	55.56	144.07	115.890	44.05	29.70
	100.00	ZEF6100MM											29.70

Additional Notes

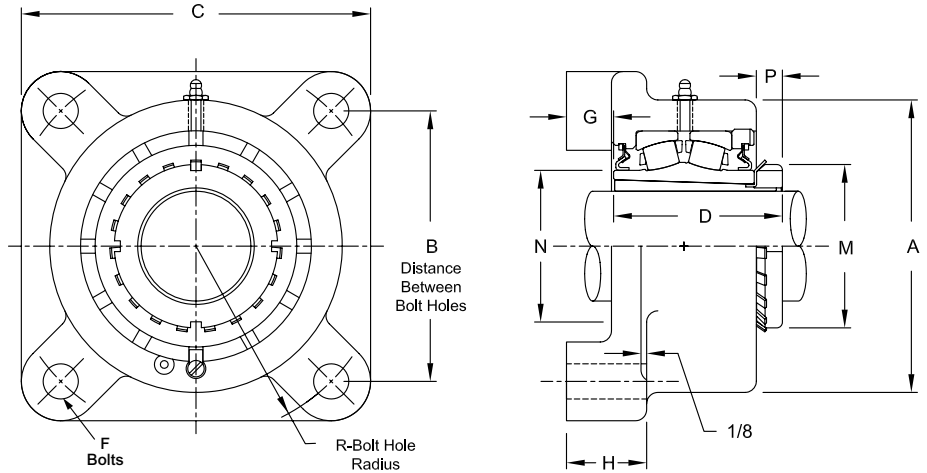
- Please call 1-866-REXNORD for availability
- Lubrication fitting tap size, 1/8" PT
- Seals - To specify G, K or M seal, replace "Z" in part number with "G", "K" or "M"
- Auxiliary end caps - available in all size codes
- For the Selection Guide, Load Ratings and Speed Limits, see the Spherical Roller Bearings Engineering section on pages 17 - 29.
- Note: Dimensions subject to change. Certified dimensions of ordered material furnished on request.



Photo Shows a 4-Bolt Spherical Roller Bearing Flanged Unit

Product Features

- Corrosion-resistant powder coating
- Cast iron housing
- Misalignment capabilities - total of 4°
- Broad range of sealing options
- Factory set clearance & lubrication
- Precision ground & superfinished raceways
- Enhanced life mounting style
- Field interchangeable seals
- See Features and Benefits for additional info on pages 10 - 13.



Bearing Dimensions

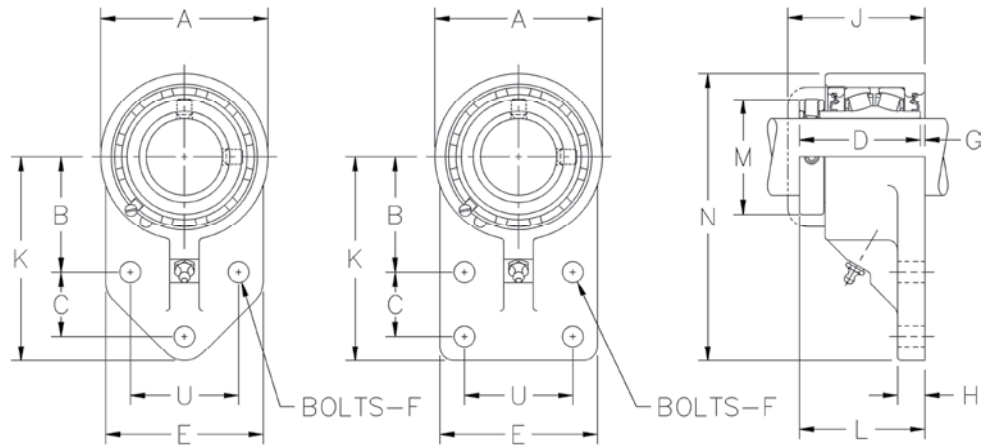
Size Code	Shaft Diameter	Part Number	B Distance Between Bolt Holes	R Bolt Circle Radius	A	C	D	F Bolts	G	H	M	N	P	Approx. Weight
7	1 15/16	ZEF9115	4 7/8	3 29/64	5	6 1/4	3 5/32	5/8	15/16	1 1/2	2 31/32	2 5/8	19/32	14.30
	2	ZEF9200												14.20
	45.00	ZEF9045MM	123.83	87.71	127.00	158.75	80.17	16.00	23.81	38.10	75.40	66.680	15.08	6.50
	50.00	ZEF9050MM												
8	2 3/16	ZEF9203	5 3/8	3 51/64	5 1/2	6 7/8	3 11/32	5/8	1 1/16	1 11/16	3 3/8	2 29/32	23/32	17.60
	55.00	ZEF9055MM	135.53	96.42	139.70	174.63	84.93	16.00	26.99	42.86	85.73	73.810	18.26	8.00
9	2 7/16	ZEF9207	6	4 1/4	6 1/2	7 3/4	3 3/4	3/4	1 1/16	1 13/16	3 5/8	3 3/8	5/8	27.70
	2 1/2	ZEF9208												27.40
10	2 11/16	ZEF9211	7	4 61/64	7 3/8	9 1/4	4 1/4	3/4	1 11/64	1 15/16	4 13/32	3 31/32	13/16	42.30
	2 15/16	ZEF9215												41.10
	3	ZEF9300												40.40
	75.00	ZEF9075MM	177.80	125.81	187.33	234.95	107.95	19.00	29.77	49.20	111.92	100.790	20.64	18.60
11	3 3/16	ZEF9303	7 3/4	5 31/64	8 7/8	10 1/4	5	7/8	1 5/16	2 3/16	5 3/16	4 9/16	15/16	67.00
	3 7/16	ZEF9307												65.00
	80.00	ZEF9080MM	196.85	139.29	225.43	260.35	127.00	22.00	33.34	55.56	131.76	115.890	23.81	30.40

Additional Notes

- Please call 1-866-REXNORD for availability
- Lubrication fitting tap size, 1/8" PT
- Seals - To specify G, K or M seal, replace "Z" in part number with "G", "K" or "M"
- Auxiliary end caps - available in all size codes
- For the Selection Guide, Load Ratings and Speed Limits, see the Spherical Roller Bearings Engineering section on pages 17 - 29.
- Note: Dimensions subject to change. Certified dimensions of ordered material furnished on request.

ZFB2000

Interchange: FBS2, USFB5000



Product Features

- Corrosion-resistant powder coating
- Cast iron housing
- Misalignment capabilities - total of 4°
- Broad range of sealing options
- Factory set clearance & lubrication
- Precision ground & superfinished raceways
- Hardened spring locking collar
- Field interchangeable seals
- See Features and Benefits for additional info on pages 10 - 13.

Bearing Dimensions

Size Code	Shaft Diameter	Part Number	B Centerline to Bolt Hole Centers	C Mounting Bolt Hole Centers to Mounted Bolt Center	L Mounting Surface to Collar Face	U Distance Between Two Upper Holes	A	D	E	F Bolts	G	H	J	K	M	N	Appx Weight
3-Bolt																	
4	1 7/16	ZFB2107	2 3/8	1 1/4	2 29/32	2	3 7/16	2 7/8	3 1/4	1/2	1/32	5/8	3 5/16	4 1/4	2 5/16	5 31/32	6.4
	1 1/2	ZFB2108															
	35.00	ZFB2035MM	60.30	31.80	73.80	50.80	87.30	73.02	82.60	12.00	0.80	15.90	84.10	108.00	58.70	151.60	2.9
6	1 15/16	ZFB2115	2 15/16	1 5/8	3 3/16	2 3/4	4 1/4	3 1/8	4	1/2	1/16	11/16	3 9/16	5 3/16	2 7/8	7 5/16	10.0
	2	ZFB2200															
	50.00	ZFB2050MM	74.60	41.30	81.00	69.80	108.00	79.38	101.60	12.00	1.60	17.50	90.50	131.80	73.00	185.70	4.3
4-Bolt																	
8	2 7/16	ZFB2207	3 3/4	1 3/4	3 19/32	3	5 3/8	3 1/2	4 7/8	5/8	3/32	3/4	3 31/32	6 1/4	3 9/16	8 15/16	17.5
	2 1/2	ZFB2208															
	60.00	ZFB2060MM	95.20	44.40	91.30	76.20	136.50	88.90	123.80	16.00	2.40	19.00	100.80	158.80	90.50	227.00	8.1
9	2 11/16	ZFB2211	3 7/8	2 1/4	4 3/32	4	6 1/4	4	5 3/4	3/4	3/32	7/8	4 7/16	7	4 1/16	10 1/8	30.0
	2 3/4	ZFB2212															
	2 15/16	ZFB2215															
	3	ZFB2300															
	70.00	ZFB2070MM															
75.00	ZFB2075MM																12.8

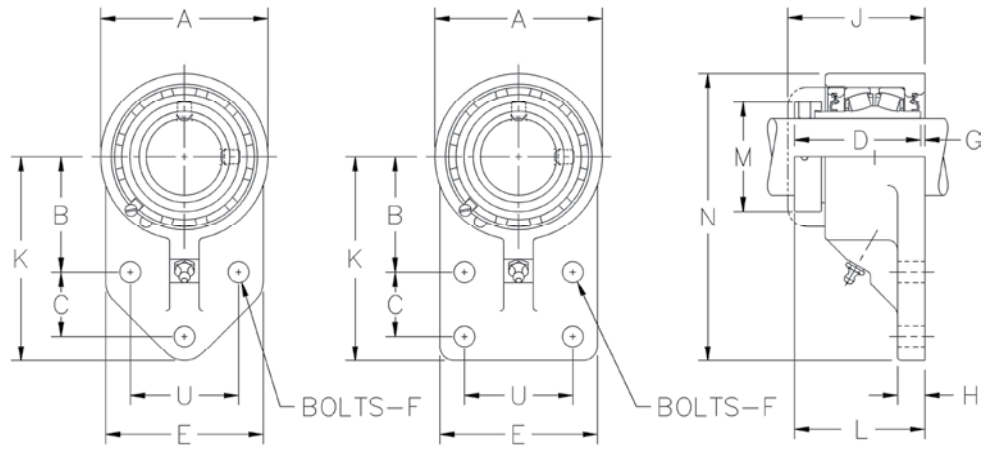
Additional Notes

- Please call 1-866-REXNORD for availability
- Lubrication fitting tap size: for size code 4, 1/4-28 UNF; for all other size codes, 1/8 in NPT
- Bore size = nominal shaft size +.001 in/-.000 in
- Seals - To specify G, K or M seal, replace "Z" in the part number with "G", "K" or "M"
- Auxiliary end caps - available in all size codes except for size code 4 thru 6
- For the Selection Guide, Load Ratings and Speed Limits, see the Spherical Roller Bearings Engineering section on pages 17 - 29.
- Note: Dimensions subject to change. Certified dimensions of ordered material furnished on request.



Product Features

- Corrosion-resistant powder coating
- Cast iron housing
- Misalignment capabilities - total of 4°
- Broad range of sealing options
- Factory set clearance & lubrication
- Precision ground & superfinished raceways
- Eccentric locking collar
- Field interchangeable seals
- See Features and Benefits for additional info on pages 10 - 13.



Bearing Dimensions

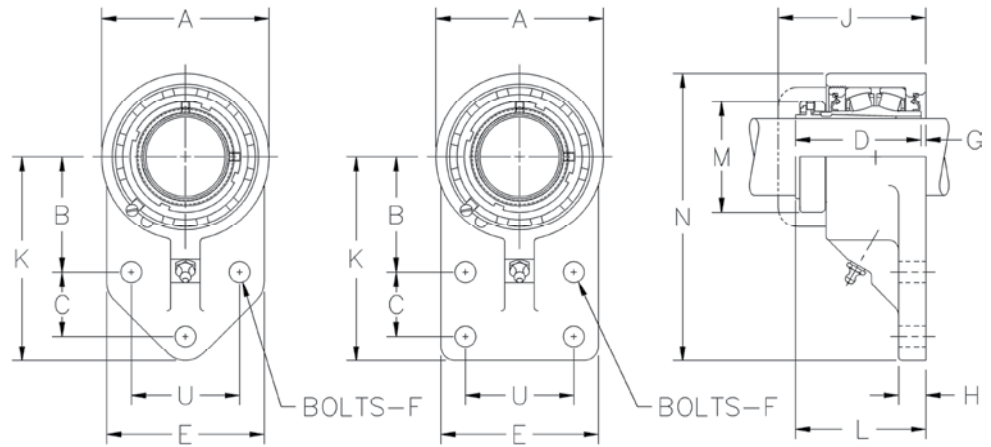
Size Code	Shaft Diameter	Part Number	B Centerline to Bolt Hole Centers	C Mounting Bolt Hole Centers to Mounted Bolt Center	L Mounting Surface to Collar Face	U Distance Between Two Upper Holes	A	D	E	F Bolts	G	H	J	K	M	N	Appx Weight
3-Bolt																	
4	1 7/16	ZFB3107	2 3/8	1 1/4	3	2	3 7/16	2 59/64	3 1/4	1/2	1/32	5/8	3 5/16	4 1/4	2 5/16	5 31/32	6.6
6	1 15/16	ZFB3115	2 15/16	1 5/8	3 11/32	2 3/4	4 1/4	3 9/32	4	1/2	1/16	11/16	3 9/16	5 3/16	2 3/4	7 5/16	10.2
4-Bolt																	
8	2 7/16	ZFB3207	3 3/4	1 3/4	3 47/64	3	5 3/8	3 21/32	4 7/8	5/8	3/32	3/4	3 31/32	6 1/4	3 9/16	8 15/16	17.7
	2 1/2	ZFB3208															
9	2 11/16	ZFB3211	3 7/8	2 1/4	4 15/64	4	6 1/4	4 13/64	5 3/4	3/4	3/32	7/8	4 7/16	7	4 1/16	10 1/8	28.4
	2 15/16	ZFB3215															

Additional Notes

- Please call 1-866-REXNORD for availability
- Lubrication fitting tap size: for size code 4, 1/4-28 UNF; for all other size codes, 1/8 in NPT
- Bore size = nominal shaft size +.001 in/-.000 in
- Seals - To specify G, K or M seal, replace "Z" in the part number with "G", "K" or "M"
- Auxiliary end caps - available in all size codes except for size code 4 thru 6
- For the Selection Guide, Load Ratings and Speed Limits, see the Spherical Roller Bearings Engineering section on pages 17 - 29.
- Note: Dimensions subject to change. Certified dimensions of ordered material furnished on request.

ZFB6000

Interchange: FBIP, USFB5000A, USFE



Product Features

- Positive locking system
- Tapered adapter sleeve
- Corrosion-resitant powder coating
- Cast iron housing
- Misalignment capabilities - total of 4°
- Broad range of sealing options
- Factory set clearance & lubrication
- Precision ground & superfinished raceways
- See Features and Benefits for additional info on pages 10 - 13.

Bearing Dimensions

Size Code	Shaft Diameter	Part Number	B Centerline to Bolt Hole Centers	C Mounting Bolt Hole Centers to Mounted Bolt Center	L Mounting Surface to Collar Face	U Distance Between Two Upper Holes	A	D	E	F Bolts	G	H	K	M	N	Appx Weight				
3-Bolt																				
4	1 7/16	ZFB6107	2 3/8	1 1/4	3 23/64	2	3 7/16	3 21/64	3 1/4	1/2	1/32	5/8	4 1/4	2 25/64	5 31/32	6.8				
	35.00	ZFB6035MM	60.30	31.80	85.33	50.80	87.30	84.50	82.60	12.00	0.79	15.90	108.00	60.72	151.60	3.1				
6	1 15/16	ZFB6115	2 15/16	1 5/8	3 5/8	2 3/4	4 1/4	3 41/64	4	1/2	1/16	11/16	5 3/16	2 55/64	7 5/16	10.4				
	45.00	ZFB6045MM	74.60	41.30	92.08	69.80	108.00	92.47	101.60	12.00	1.59	17.50	131.80	72.63	185.70	4.7				
4-Bolt																				
8	2 3/8	ZFB6206	3 3/4	1 3/4	4 9/64	3	5 3/8	4 1/16	4 7/8	5/8	3/32	3/4	6 1/4	3 19/32	8 15/16	17.9				
	2 7/16	ZFB6207					136.50	103.19	123.80	16.00	2.38	19.00	158.80	91.28	227.00	8.1				
9	2 11/16	ZFB6211	3 7/8	2 1/4	4 39/64	4	6 1/4	4 17/32	5 3/4	3/4	3/32	7/8	7	4 3/32	10 1/8	30				
	2 3/4	ZFB6212					158.80	115.09	146.00	20.00	2.38	22.20	177.80	103.98	257.20	13.6				
	2 15/16	ZFB6215					70.00	ZFB6070MM	75.00	ZFB6075MM										

Additional Notes

- Please call 1-866-REXNORD for availability
- Lubrication fitting tap size: for size code 4, 1/4-28 UNF: for all other size codes, 1/8 in NPT
- Bore size = nominal shaft size +.001 in/-.000 in
- Seals - To specify G, K or M seal, replae "Z" in the part number with "G", "K" or "M"
- Auxiliary end caps - availabe in all size codes except for size code 4 thru 6
- For the Selection Guide, Load Ratings and Speed Limits, see the Spherical Roller Bearings Engineering section on pages 17 - 29.
- Note: Dimensions subject to change. Certified dimensions of ordered material furnished on request.

ZBR2000

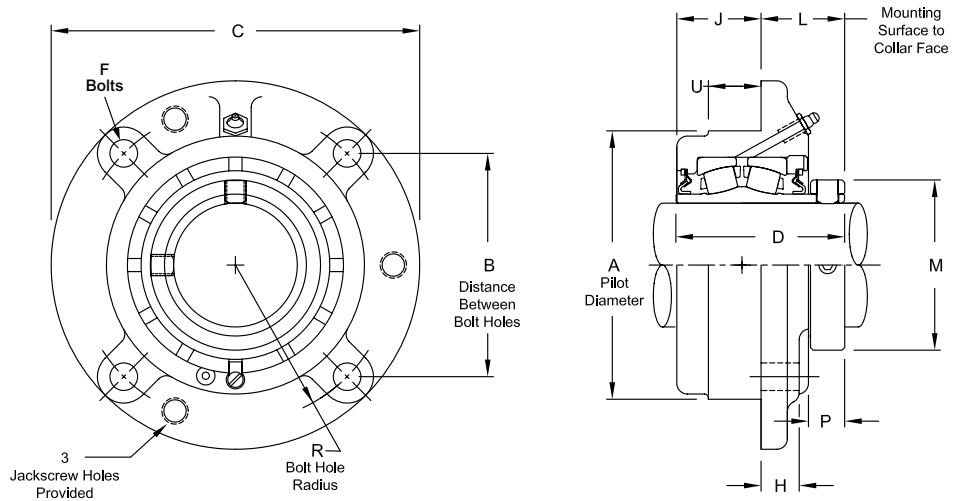
Interchange: FCS2, FCE, FYRP, USFC5000, USFCE5000, RPPA, QACW, EPFTRB



Photo Shows a 4-Bolt Spherical Roller Bearing Flanged Cartridge Unit

Product Features

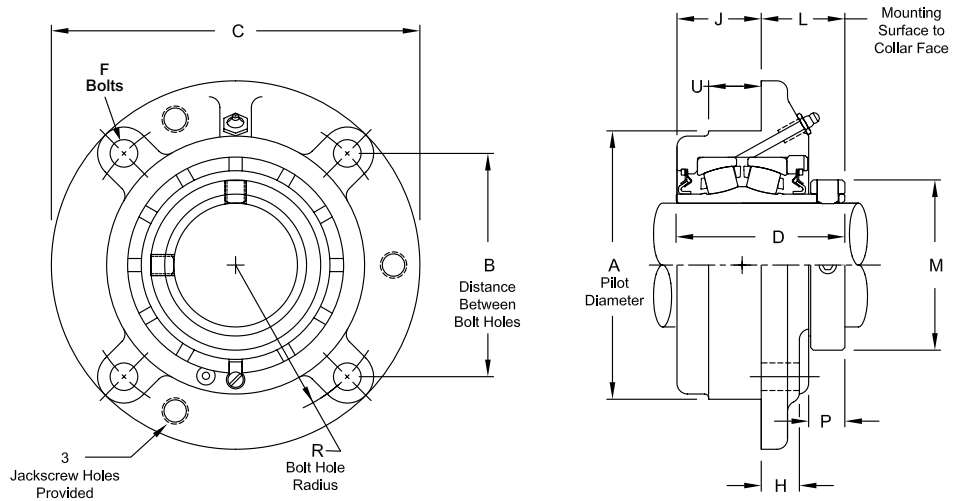
- Corrosion-resistant powder coating
- Cast iron housing
- Misalignment capabilities - total of 4°
- Broad range of sealing options
- Factory set clearance & lubrication
- Precision ground & superfinished raceways
- Hardened spring locking collar
- Field interchangeable seals
- See Features and Benefits for additional info on pages 10 - 13.



Bearing Dimensions

Size Code	Shaft Diameter	Part Number	A Pilot Diameter	B Distance Between Bolt Holes	L Mounting Surface to Collar Face	R Bolt Circle Radius	C	D	F Bolts	H	J	M	P	U	Approx. Weight
4-Bolt															
2	3/4	ZBR2012	3.000	2 9/16	1 5/16	1 13/16	4 3/8	2 9/16	5/16	7/16	1 1/4	1 3/4	9/16	5/8	3.70
	15/16	ZBR2015													3.60
	1	ZBR2100													3.50
	25.00	ZBR2025MM	76.200	65.09	33.34	46.04	111.13	65.09	8.00	11.11	31.75	44.45	14.29	15.88	1.60
3	1 1/8	ZBR2102	3.375	2 59/64	1 5/16	2 1/16	5	2 11/16	3/8	7/16	1 3/8	1 31/32	9/16	3/4	4.90
	1 3/16	ZBR2103													4.80
	1 1/4	ZBR2104													4.60
	30.00	ZBR2030MM	85.725	74.19	33.34	52.39	127.00	68.26	9.00	11.11	34.93	50.00	14.29	19.05	2.20
4	1 7/16	ZBR2107	3.625	3 3/32	1 1/2	2 3/16	5 1/4	2 7/8	3/8	1/2	1 3/8	2 5/16	11/16	3/4	5.40
	1 1/2	ZBR2108													5.20
	35.00	ZBR2035MM													92.075
5	1 11/16	ZBR2111	4.250	3 5/8	1 19/32	2 9/16	6 1/8	3 1/8	7/16	1/2	1 17/32	2 19/32	11/16	7/8	8.40
	1 3/4	ZBR2112													8.10
	40.00	ZBR2040MM													107.950
	45.00	ZBR2045MM													3.70
6	1 15/16	ZBR2115	4.500	3 51/64	1 9/16	2 11/16	6 3/8	3 1/8	7/16	9/16	1 9/16	2 7/8	11/16	7/8	8.80
	2	ZBR2200													8.70
	50.00	ZBR2050MM													114.300
7	2 3/16	ZBR2203	5.000	4 1/4	1 3/4	3	7 1/8	3 5/16	1/2	9/16	1 9/16	3 1/4	13/16	1	13.80
	2 1/4	ZBR2204													13.70
	55.00	ZBR2055MM													127.000
8	2 3/8	ZBR2206	5.500	4 19/32	1 13/16	3 1/4	7 5/8	3 1/2	1/2	5/8	1 11/16	3 9/16	7/8	1	14.90
	2 7/16	ZBR2207													14.80
	2 1/2	ZBR2208													14.40
	60.00	ZBR2060MM													139.700
	65.00	ZBR2065MM													6.50
9	2 11/16	ZBR2211	6.375	5 19/64	2	3 3/4	8 3/4	4	5/8	3/4	2	4 1/16	7/8	1 1/4	23.40
	2 3/4	ZBR2212													23.00
	2 15/16	ZBR2215													22.30
	3	ZBR2300													21.80
	70.00	ZBR2070MM	161.925	134.54	50.80	95.25	222.25	101.60	16.00	19.05	50.80	103.19	22.23	31.75	10.50
	75.00	ZBR2075MM													10.10
10	3 3/16	ZBR2303	7.375	6 3/32	2 3/8	4 5/16	10 1/4	4 3/8	3/4	15/16	2	4 29/32	15/16	1 1/4	35.50
	3 7/16	ZBR2307													34.00

Continued...



Bearing Dimensions

Size Code	Shaft Diameter	Part Number	A Pilot Diameter	B Distance Between Bolt Holes	L Mounting Surface to Collar Face	R Bolt Circle Radius	C	D	F Bolts	H	J	M	P	U	Approx. Weight
4-Bolt (continued)															
10	3 1/2	ZBR2308	7.375	6 3/32	2 3/8	4 5/16	10 1/4	4 3/8	3/4	15/16	2	4 29/32	15/16	1 1/4	33.50
	80.00	ZBR2080MM	187.325	154.79	60.33	109.54	260.35	111.13	19.00	23.81	50.80	124.62	23.81	31.75	16.10
	85.00	ZBR2085MM													15.70
	90.00	ZBR2090MM													15.20
11	3 11/16	ZBR2311	8.125	6 5/8	2 11/16	4 11/16	10 7/8	5 1/16	3/4	1 1/8	2 1/2	5 5/8	1 1/32	1 1/2	52.00
	3 15/16	ZBR2315													49.00
	4	ZBR2400													48.50
	100.00	ZBR2100MM	206.375	168.28	68.26	119.06	276.23	128.59	19.00	28.58	63.50	142.88	26.19	38.10	22.20

Additional Notes

Please call 1-866-REXNORD for availability
 Metric bore sizes available, see Rex Interchangeability guide
 Lubrication fitting tap size, 1/8" PT
 Bore size = nominal shaft size +.001 in/-.000 in (+0.03 mm/-0.00 mm)
 Pilot Diameter tolerance, +.000 in/-.002 in (+0.00 mm/-0.05 mm)
 Bore tolerance for mounting, +.002 in/-.000 in (+0.05 mm/-0.00 mm)
 Seals - To specify G, K or M seal, replace "Z" in part number with "G", "K" or "M"

Auxiliary end caps - available in all size codes except for size codes 2 & 3
 "G" seals available in size codes 3 thru 11
 For the Selection Guide, Load Ratings and Speed Limits, see the Spherical Roller Bearings Engineering section on pages 17 - 29.
 Note: Dimensions subject to change. Certified dimensions of ordered material furnished on request.

ZBR3000

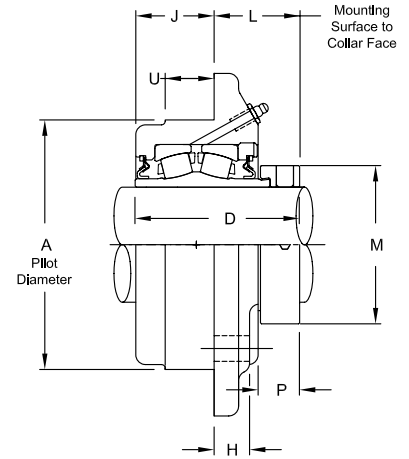
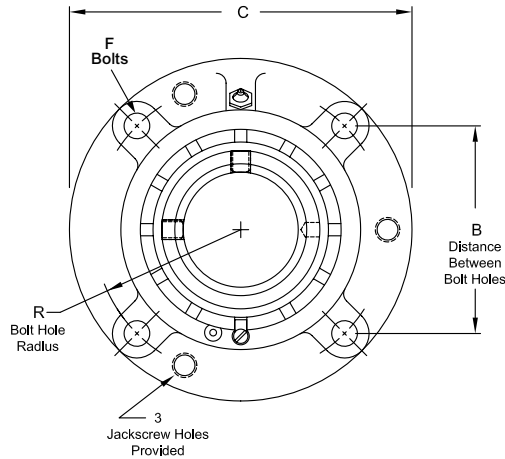
Interchange: QMCW



Photo Shows a 4-Bolt Spherical Roller Bearing Flanged Cartridge Unit

Product Features

- Corrosion-resistant powder coating
- Cast iron housing
- Misalignment capabilities - total of 4°
- Broad range of sealing options
- Factory set clearance & lubrication
- Precision ground & superfinished raceways
- Eccentric locking collar
- Field interchangeable seals
- See Features and Benefits for additional info on pages 10 - 13.



Bearing Dimensions

Size Code	Shaft Diameter	Part Number	A Pilot Diameter	B Distance Between Bolt Holes	L Mounting Surface to Collar Face	R Bolt Circle Radius	C	D	F Bolts	H	J	M	P	U	Approx. Weight
4-Bolt															
4	1 7/16	ZBR3107	3.625	3 3/32	1 1/2	2 3/16	5 1/4	2 59/64	3/8	1/2	1 3/8	2 5/16	25/32	3/4	5.60
5	1 11/16	ZBR3111	4.250	3 5/8	1 19/32	2 9/16	6 1/8	3 3/16	7/16	1/2	1 17/32	2 5/8	3/4	7/8	8.60
6	1 15/16	ZBR3115	4.500	3 51/64	1 23/32	2 11/16	6 3/8	3 9/32	7/16	9/16	1 9/16	2 15/16	27/32	7/8	9.00
7	2 3/16	ZBR3203	5.000	4 1/4	1 15/16	3	7 1/8	3 1/2	1/2	9/16	1 9/16	3 1/4	31/32	1	14.10
8	2 7/16	ZBR3207	5.500	4 19/32	1 31/32	3 1/4	7 5/8	3 21/32	1/2	5/8	1 11/16	3 9/16	1 1/64	1	15.00
	2 1/2	ZBR3208													14.60
9	2 11/16	ZBR3211	6.375	5 19/64	2 13/64	3 3/4	8 3/4	4 13/64	5/8	3/4	2	4 1/16	1 1/64	1 1/4	23.80
	2 15/16	ZBR3215													22.70
10	3 7/16	ZBR3307	7.375	6 3/32	2 37/64	4 5/16	10 1/4	4 37/64	3/4	15/16	2	4 15/16	1 9/64	1 1/4	34.40
	3 1/2	ZBR3308													33.90
11	3 15/16	ZBR3315	8.125	6 5/8	2 11/16	4 11/16	10 7/8	5 3/16	3/4	1 1/8	2 1/2	5 5/8	1 1/16	1 1/2	49.00

Additional Notes

- Please call 1-866-REXNORD for availability
- Lubrication fitting tap size, 1/8" PT
- Bore size = nominal shaft size +.001 in/-.000 in (+0.03 mm/-0.00 mm)
- Pilot Diameter tolerance, +.000 in/-.002 in (+0.00 mm/-0.05 mm)
- Bore tolerance for mounting, +.002 in/-.000 in (+0.05 mm/-0.00 mm)
- Seals - To specify G, K or M seal, replace "Z" in part number with "G", "K" or "M"
- Auxiliary end caps - available in all size codes

For the Selection Guide, Load Ratings and Speed Limits, see the Spherical Roller Bearings Engineering section on pages 17 - 29.

Note: Dimensions subject to change. Certified dimensions of ordered material furnished on request.

Continued...

ZBR5000

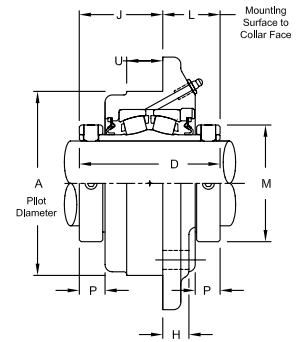
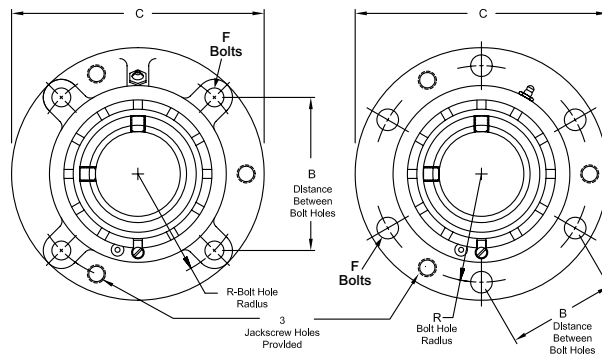
Interchange: RFP, QAACW



Photo Shows a 4-Bolt Spherical Roller Bearing Flanged Cartridge Unit

Product Features

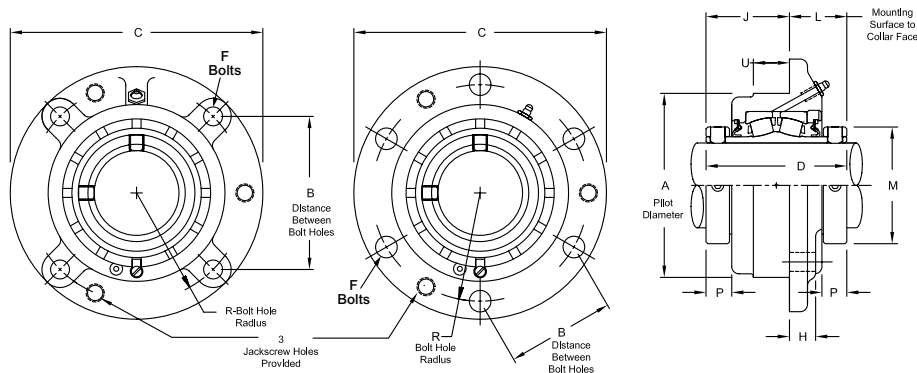
- Corrosion-resistant powder coating
- Cast iron housing
- Misalignment capabilities - total of 4°
- Broad range of sealing options
- Factory set clearance & lubrication
- Precision ground & superfinished raceways
- Two hardened spring locking collars
- Field interchangeable seals
- See Features and Benefits for additional info on pages 10 - 13.



Bearing Dimensions

Size Code	Shaft Diameter	Part Number	A Pilot Diameter	B Distance Between Bolt Holes	L Mounting Surface to Collar Face	R Bolt Circle Radius	C	D	F Bolts	H	J	M	P	U	Approx. Weight
4-Bolt															
4	1 7/16	ZBR5107	3.625	53.19	1 1/2	2 3/16	5 1/4	3 9/16	3/8	1/2	2 1/16	2 5/16	11/16	3/4	5.90
	35.00	ZBR5035MM	92.075	53.19	38.10	55.56	133.35	90.49	9.00	12.70	52.39	58.74	17.46	19.05	2.70
5	1 1/2	ZBR5108	4.250	3 5/8	1 19/32	2 9/16	6 1/8	3 13/16	7/16	1/2	2 7/32	2 19/32	11/16	7/8	9.10
	1 11/16	ZBR5111													8.70
	40.00	ZBR5040MM	107.950	92.08	40.49	65.09	155.58	96.84	11.00	12.70	56.34	65.88	17.46	22.23	4.10
	45.00	ZBR5045MM													3.90
6	1 15/16	ZBR5115	4.500	3 51/64	1 9/16	2 11/16	6 3/8	3 13/16	7/16	9/16	2 1/4	2 7/8	11/16	7/8	9.60
	50.00	ZBR5050MM	114.300	96.44	39.69	68.26	161.93	96.84	11.00	14.29	57.15	73.03	17.46	22.23	3.40
7	2	ZBR5200	5.000	4 1/4	1 3/4	3	7 1/8	4 1/8	1/2	9/16	2 3/8	3 1/4	13/16	1	13.70
	2 3/16	ZBR5203													13.00
	55.00	ZBR5055MM	127.000	107.95	44.45	76.20	180.98	104.78	13.00	14.29	60.33	82.60	20.64	25.40	5.90
8	2 7/16	ZBR5207	5.500	4 19/32	1 13/16	3 1/4	7 5/8	4 3/8	1/2	5/8	2 9/16	3 9/16	7/8	1	15.90
	60.00	ZBR5060MM													7.20
	65.00	ZBR5065MM	139.700	116.66	46.04	82.55	193.68	111.13	13.00	15.88	65.09	90.50	22.23	25.40	7.00
9	2 1/2	ZBR5208	6.375	5 19/64	2	3 3/4	8 3/4	4 7/8	5/8	3/4	2 7/8	4 1/16	7/8	1 1/4	26.10
	2 11/16	ZBR5211													24.80
	2 15/16	ZBR5215													22.70
	70.00	ZBR5070MM	161.925	134.54	50.80	95.25	222.25	123.83	16.00	19.05	73.03	103.20	22.23	31.75	11.20
	75.00	ZBR5075MM													10.30
10	3 3/16	ZBR5303	7.375	6 3/32	2 3/8	4 5/16	10 1/4	5 5/16	3/4	15/16	2 15/16	4 29/32	15/16	1 1/4	38.00
	3 7/16	ZBR5307													36.50
	80.00	ZBR5080MM													17.20
	85.00	ZBR5085MM	187.325	154.79	60.33	109.54	260.35	134.94	19.00	23.81	74.62	124.62	23.81	31.75	17.10
	90.00	ZBR5090MM													17.00
11	3 11/16	ZBR5311	8.125	6 5/8	2 11/16	4 11/16	10 7/8	6 1/8	3/4	1 1/8	3 9/16	5 5/8	1 1/32	1 1/2	56.00
	3 15/16	ZBR5315													53.00
	4	ZBR5400													52.00
	100.00	ZBR5100MM	206.375	168.28	68.26	119.06	276.23	155.58	19.00	28.58	90.48	142.90	26.19	38.10	24.00
6-Bolt															
12	4 7/16	ZBR5407Y	10.250	5 7/8	2 5/16	5 7/8	13 1/2	6 1/4	3/4	1	3 15/16	6 3/16	1 1/16	2	84.00
	4 1/2	ZBR5408Y													83.00
	110.00	ZBR5110MM	260.350	149.23	58.74	149.23	342.90	158.75	19.00	25.40	100.01	157.16	26.99	50.80	39.00
	115.00	ZBR5115MM													38.00
13	4 15/16	ZBR5415	11.000	6 3/8	2 31/32	6 3/8	14 3/4	7 7/8	7/8	1 1/4	4 29/32	7 1/16	1 5/32	2 1/4	128.00
	5	ZBR5500													125.00

Continued...



Continued...

Bearing Dimensions

Size Code	Shaft Diameter	Part Number	A Pilot Diameter	B Distance Between Bolt Holes	L Mounting Surface to Collar Face	R Bolt Circle Radius	C	D	F Bolts	H	J	M	P	U	Approx. Weight
6-Bolt (continued)															
13	125.00	ZBR5125MM	279.400	161.93	75.41	161.93	374.65	200.03	22.00	31.75	124.61	179.39	29.37	57.15	58.00
	130.00	ZBR5130MM													57.00
14	5 7/16	ZBR5507	13.000	7 1/4	3 7/32	7 1/4	17	8	7/8	1 3/8	4 25/32	8 3/16	1 7/32	2	184.00
	140.00	ZBR5140MM	330.200	184.15	81.73	184.15	431.80	203.20	22.00	34.93	121.44	207.96	30.96	50.80	83.40
15	5 15/16	ZBR5515	14.000	8 1/4	3 1/16	8 1/4	19	8 1/8	7/8	1	5 1/16	8 5/8	1 5/32	1 3/8	214.00
	6	ZBR5600													213.00
	150.00	ZBR5150MM	355.600	209.55	77.79	209.55	482.60	206.38	22.00	25.40	128.59	219.08	29.37	34.93	97.00
16	160.00	ZBR5160MM	15.000	8 1/2	3 3/8	8 1/2	482.60	222.25	25.00	25.40	136.53	246.86	32.54	38.10	108.00
	6 7/16	ZBR5607													246.00
	6 15/16	ZBR5615													241.00
	7	ZBR5700													239.00
	180.00	ZBR5180MM	381.000	215.90	85.73	215.90	482.60	222.25	25.00	25.40	136.53	246.86	32.54	38.10	108.00

Additional Notes

Please call 1-866-REXNORD for availability
 Metric bore sizes available, see Rex Interchangeability guide
 Lubrication fitting tap size: for size code 4 thru 11, 1/8" PT; for all other size codes, 1/4" PT
 Bore size = nominal shaft size +.001 in/-.000 in (+0.03 mm/-0.00 mm)
 Pilot Diameter tolerance, +.000 in/-.002 in (+0.00 mm/-0.05 mm) for size codes 4 thru 13
 Pilot Diameter tolerance, +.000"/-.005" for size codes 14 thru 16
 Bore tolerance for mounting, +.002 in/-.000 in (+0.05 mm/-0.00 mm) for size codes 4 thru 13

Bore tolerance for mounting, +.005"/-.000" for size codes 14 thru 16
 Seals - To specify G, K or M seal, replace "Z" in part number with "G", "K" or "M"
 "G" seals only available in size codes 4 thru 13
 "K" seals only available in size codes 4 thru 11
 Auxiliary end caps - available in all size codes
 For the Selection Guide, Load Ratings and Speed Limits, see the Spherical Roller Bearings Engineering section on pages 17 - 29.
 Note: Dimensions subject to change. Certified dimensions of ordered material furnished on request.

ZBR6000

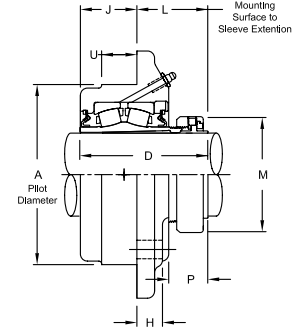
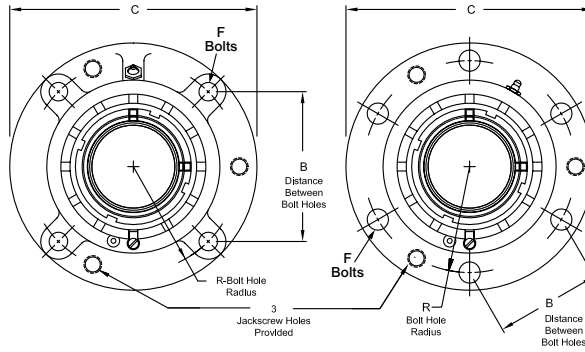
Interchange: FCIP, USFC5000A, USFCE5000A, QVCW, QVVCW



Photo Shows a 4-Bolt Spherical Roller Bearing Flanged Cartridge Unit

Product Features

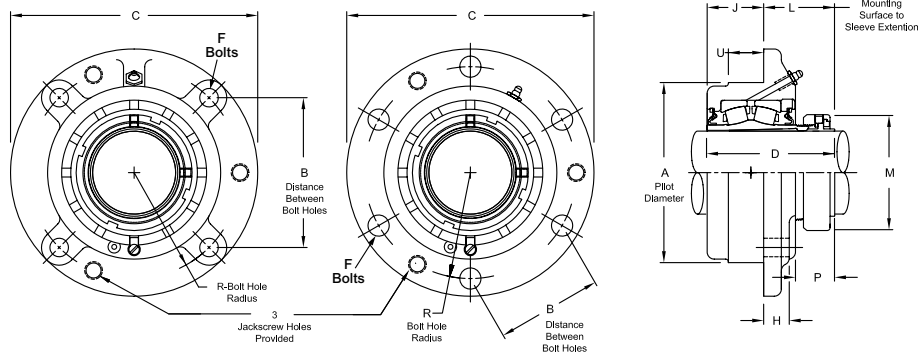
- Positive locking system
- Tapered adapter sleeve
- Corrosion-resistant powder coating
- Cast iron housing
- Misalignment capabilities - total of 4°
- Broad range of sealing options
- Factory set clearance & lubrication
- Precision ground & superfinished raceways
- See Features and Benefits for additional info on pages 10 - 13.



Bearing Dimensions

Size Code	Shaft Diameter	Part Number	A Pilot Diameter	B Distance Between Bolt Holes	L Mounting Surface to Collar Face	R Bolt Circle Radius	C	D	F Bolts	H	J	M	P	U	Approx. Weight												
4-Bolt																											
4	1 7/16	ZBR6107	3.625	3 3/32	1 61/64	2 3/16	5 1/4	3 21/64	3/8	1/2	1 3/8	2 25/64	1 9/64	3/4	5.40												
	35.00	ZBR6035MM	92.075	78.58	49.61	55.56	133.35	84.53	9.00	12.70	34.93	60.72	28.97	19.05	2.40												
5	1 11/16	ZBR6111	4.250	3 5/8	2 3/16	2 9/16	6 1/8	3 47/64	7/16	1/2	1 17/32	2 41/64	1 9/32	7/8	8.40												
	40.00	ZBR6040MM	107.950	92.08	55.56	65.09	155.58	94.85	11.00	12.70	38.89	67.07	32.54	22.23	3.80												
6	1 15/16	ZBR6115	4.500	3 51/64	2	2 11/16	6 3/8	3 41/64	7/16	9/16	1 9/16	2 55/64	1 1/8	7/8	9.60												
	45.00	ZBR6045MM	114.300	96.44	50.80	68.26	161.93	92.47	11.00	14.29	39.69	72.63	28.58	22.23	4.40												
7	2 3/16	ZBR6203	5.000	4 1/4	2 7/64	3	7 1/8	3 11/16	1/2	9/16	1 9/16	3 15/64	1 3/32	1	13.70												
	50.00	ZBR6050MM	127.000	107.95	53.57	76.20	180.98	93.66	13.00	14.29	39.69	82.15	29.37	25.40	5.90												
	55.00	ZBR6055MM																									
8	2 3/8	ZBR6206	5.500	4 19/32	2 23/64	3 1/4	7 5/8	4 1/16	1/2	5/8	1 11/16	3 19/32	1 27/64	1	16.20												
	2 7/16	ZBR6207													15.90												
	60.00	ZBR6060MM	139.700	116.66	59.92	82.55	193.68	103.19	13.00	15.88	42.86	91.28	36.12	25.40	7.20												
9	2 11/16	ZBR6211	6.375	5 19/64	2 17/32	3 3/4	8 3/4	4 17/32	5/8	3/4	2	4 3/32	1 25/64	1 1/4	26.10												
	2 3/4	ZBR6212													24.80												
	2 15/16	ZBR6215													22.70												
	65.00	ZBR6065MM													161.925	134.54	64.29	95.25	222.25	115.09	16.00	19.05	50.80	103.98	35.32	31.75	11.20
	70.00	ZBR6070MM																									10.30
75.00	ZBR6075MM	10.30																									
10	3 3/16	ZBR6303	7.375	6 3/32	3 1/32	4 5/16	10 1/4	5 1/32	3/4	15/16	2	4 61/64	1 19/32	1 1/4	38.00												
	3 7/16	ZBR6307													36.50												
	80.00	ZBR6080MM													187.325	154.79	76.99	109.54	260.35	127.79	19.00	23.81	50.80	125.81	40.48	31.75	17.20
	85.00	ZBR6085MM																									17.10
11	3 11/16	ZBR6311	8.125	6 5/8	3 23/64	4 11/16	10 7/8	5 25/32	3/4	1 1/8	2 1/2	5 43/64	1 47/64	1 1/2	56.00												
	3 15/16	ZBR6315													53.00												
	90.00	ZBR6090MM													206.375	168.28	85.32	119.06	276.23	146.84	19.00	28.58	63.50	144.07	44.05	38.10	24.00
	100.00	ZBR6100MM																									24.00

Continued...



Continued...

Bearing Dimensions

Size Code	Shaft Diameter	Part Number	A Pilot Diameter	B Distance Between Bolt Holes	L Mounting Surface to Collar Face	R Bolt Circle Radius	C	D	F Bolts	H	J	M	P	U	Approx. Weight
6-Bolt															
12	4 ³ / ₁₆	ZBR6403Y	10.250	5 ⁷ / ₈	3 ³ / ₁₆	5 ⁷ / ₈	13 ¹ / ₂	6 ¹ / ₄	³ / ₄	1	3 ¹ / ₁₆	6 ¹ / ₁₆	1 ⁷ / ₈	2	84.00
	4 ⁷ / ₁₆	ZBR6407Y													83.00
	110.00	ZBR6110MM	260.350	149.23	80.96	149.23	342.90	158.75	19.00	25.40	77.79	153.99	47.63	50.80	39.00
13	4 ¹⁵ / ₁₆	ZBR6415	11.000	6 ³ / ₈	4 ¹ / ₁₆	6 ³ / ₈	14 ³ / ₄	7 ¹⁵ / ₁₆	⁷ / ₈	1 ¹ / ₄	3 ⁷ / ₈	6 ⁶¹ / ₆₄	2 ¹ / ₄	2 ¹ / ₄	128.00
	115.00	ZBR6115MM	279.400	161.93	403.19	161.93	374.65	201.61	22.00	31.75	98.43	176.61	57.15	57.15	58.00
	125.00	ZBR6125MM													
14	5 ⁷ / ₁₆	ZBR6507	13.000	7 ¹ / ₄	5 ¹ / ₁₆	7 ¹ / ₄	17	8 ⁴⁹ / ₆₄	⁷ / ₈	1 ³ / ₈	3 ⁷ / ₈	8 ¹ / ₆₄	3 ³ / ₆₄	2	184.00
15	5 ¹⁵ / ₁₆	ZBR6515	14.000	8 ¹ / ₄	5 ²³ / ₆₄	8 ¹ / ₄	19	9 ¹⁹ / ₆₄	⁷ / ₈	1	4 ³ / ₁₆	8 ²¹ / ₃₂	3 ⁷ / ₁₆	1 ³ / ₈	214.00
16	6 ⁷ / ₁₆	ZBR6607	15.000	8 ¹ / ₂	5 ⁵³ / ₆₄	8 ¹ / ₂	19	10	1	1	4 ¹ / ₄	9 ³ / ₄	3 ⁴³ / ₆₄	1 ¹ / ₂	246.00
	6 ¹ / ₂	ZBR6608													
	6 ¹⁵ / ₁₆	ZBR6615													241.00

Additional Notes

- Please call 1-866-REXNORD for availability
- Lubrication fitting tap size: for size code 6 thru 11, 1/8" PT: for all other size codes, 1/4" PT
- Pilot Diameter tolerance, +.000 in/- .002 in (+0.00 mm/-0.05 mm)
- Bore tolerance for mounting, +.002 in/- .000 in (+0.05 mm/-0.00 mm)
- Seals - To specify G, K or M seal, replace "Z" in part number with "G", "K" or "M"
- "G" seals only available in size codes 4 thru 13

- "K" seals only available in size codes 4 thru 11
- Auxiliary end caps - available in all size codes
- For the Selection Guide, Load Ratings and Speed Limits, see the Spherical Roller Bearings Engineering section on pages 17 - 29.
- Note: Dimensions subject to change. Certified dimensions of ordered material furnished on request.

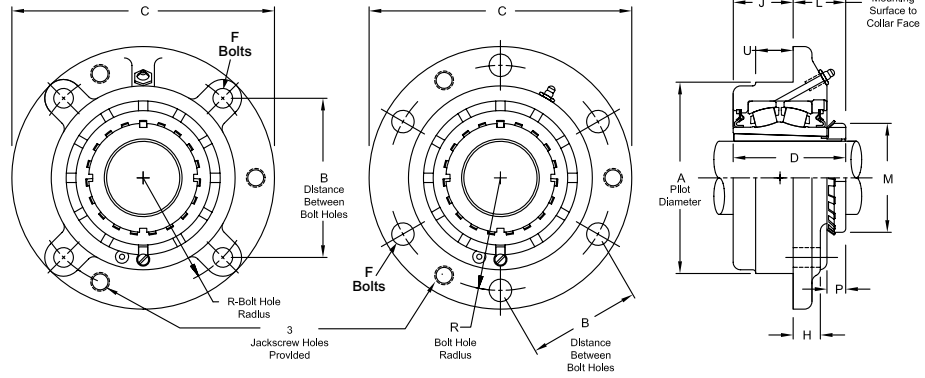
ZBR9000



Photo Shows a 4-Bolt Spherical Roller Bearing Flanged Cartridge Unit

Product Features

- Corrosion-resistant powder coating
- Cast iron housing
- Misalignment capabilities - total of 4°
- Broad range of sealing options
- Factory set clearance & lubrication
- Precision ground & superfinished raceways
- Enhanced life mounting style
- Field interchangeable seals
- See Features and Benefits for additional info on pages 10 - 13.



Bearing Dimensions

Size Code	Shaft Diameter	Part Number	A Pilot Diameter	B Distance Between Bolt Holes	L Mounting Surface to Collar Face	R Bolt Circle Radius	C	D	F Bolts	H	J	M	P	U	Approx. Weight												
4-Bolt																											
7	1 15/16	ZBR9115	5.000	4 1/4	1 19/32	3	7 1/8	3 5/32	1/2	9/16	1 9/16	2 31/32	19/32	1	12.20												
	2	ZBR9200													12.10												
	45.00	ZBR9045MM													127.000	107.95	40.49	76.20	180.98	80.17	13.00	14.29	39.69	75.40	15.08	25.40	5.50
	50.00	ZBR9050MM													5.30												
8	2 3/16	ZBR9203	5.500	4 19/32	1 21/32	3 1/4	7 5/8	3 11/32	1/2	5/8	1 11/16	3 3/8	23/32	1	15.20												
	55.00	ZBR9055MM	139.700	116.66	42.06	82.55	193.68	84.93	13.00	15.88	42.86	85.73	18.26	25.40	6.90												
9	2 7/16	ZBR9207	6.375	5 19/64	1 3/4	3 3/4	8 3/4	3 3/4	5/8	3/4	2	3 5/8	5/8	1 1/4	22.70												
	2 1/2	ZBR9208													22.30												
10	2 11/16	ZBR9211	7.375	6 3/32	2 1/4	4 5/16	10 1/4	4 1/4	3/4	15/16	2	4 13/32	13/16	1 1/4	36.40												
	2 15/16	ZBR9215													35.40												
	3	ZBR9300													34.70												
	75.00	ZBR9075MM													187.325	154.79	57.15	109.54	260.35	107.95	19.00	23.81	50.80	111.92	20.64	31.75	16.00
11	3 3/16	ZBR9303	8.125	6 5/8	2 9/16	4 11/16	10 7/8	5	3/4	1 1/8	2 1/2	5 3/16	15/16	1 1/2	55.50												
	3 7/16	ZBR9307													53.50												
	80.00	ZBR9080MM													206.375	168.28	65.09	119.06	276.23	127.00	19.00	28.58	63.50	131.76	23.81	38.10	25.00
6-Bolt																											
12	3 11/16	ZBR9311Y	10.250	5 7/8	2 11/32	5 7/8	13 1/2	5 17/32	3/4	1	3 1/16	5 23/32	1 1/32	2	84.20												
	3 15/16	ZBR9315Y													81.90												
	4	ZBR9400Y													81.40												
	100.00	ZBR9100MM													260.350	149.23	59.52	149.23	342.90	140.49	19.00	25.40	77.79	145.26	26.19	50.80	37.00
13	4 3/16	ZBR9403	11.000	6 3/8	2 7/8	6 3/8	14 3/4	6 3/4	7/8	1 1/4	3 7/8	6 1/8	1 1/8	2 1/4	128.00												
	4 7/16	ZBR9407													126.00												
14	4 15/16	ZBR9415	13.000	7 1/4	3 5/16	7 1/4	17	7 1/16	7/8	1 3/8	3 7/8	7 3/32	1 1/8	2	178.00												
	5	ZBR9500													177.00												
15	5 7/16	ZBR9507	14.000	8 1/4	3 3/8	8 1/4	19	7 5/16	7/8	1	4 3/16	8 1/16	1 5/16	1 3/8	209.00												
16	5 15/16	ZBR9515	15.000	8 1/2	3 1/2	8 1/2	19	7 3/4	1	1	4 1/4	9 1/16	1 11/16	1 1/2	241.00												
	6	ZBR9600													240.00												
	6 7/16	ZBR9607													233.00												

Additional Notes

- Please call 1-866-REXNORD for availability
- Lubrication fitting tap size: for size code 7 thru 11, 1/8" PT; for all other size codes, 1/4" PT
- Pilot Diameter tolerance, +.000 in/-.002 in (+0.00 mm/-0.05 mm) for size codes 7 thru 13
- Pilot Diameter tolerance, +.005 in/-.000 in (+0.13 mm/-0.00 mm) for size codes 14 thru 16
- Bore tolerance for mounting, +.002 in/-.000 in (+0.05 mm/-0.00 mm) for size codes 7 thru 13

- Bore tolerance for mounting, +.005 in/-.000 in (+0.13 mm/-0.00 mm) for size codes 14 thru 16
- Seals - To specify G, K or M seal, replace "Z" in part number with "G", "K" or "M"
- "G" seals only available in size codes 7 thru 13
- "K" seals only available in size codes 7 thru 11
- Auxiliary end caps - available in all size codes
- For the Selection Guide, Load Ratings and Speed Limits, see the Spherical Roller Bearings Engineering section on pages 17 - 29.
- Note: Dimensions subject to change. Certified dimensions of ordered material furnished on request.

ZCS2000

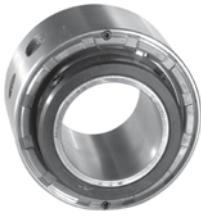
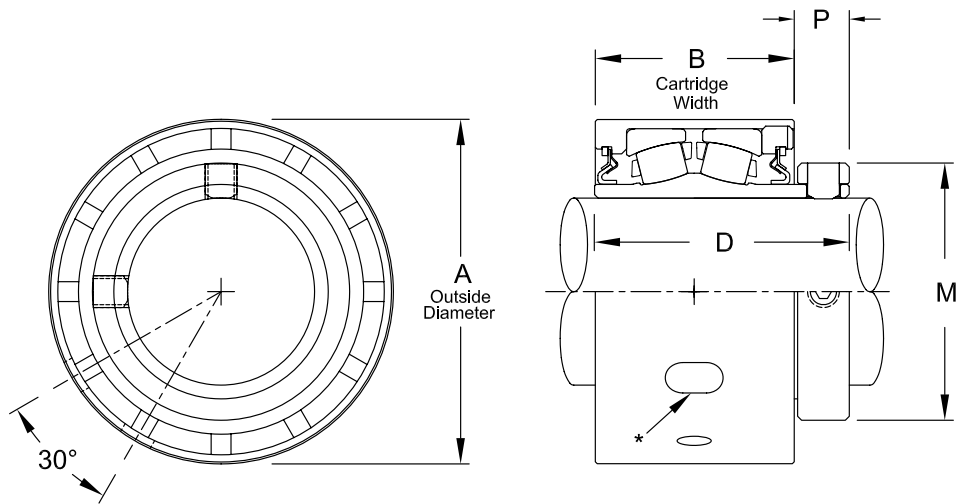


Photo Shows a Spherical Roller Bearing Cartridge Unit with Steel Housing

Product Features

- Steel housing
- Misalignment capabilities - total of 4°
- Broad range of sealing options
- Factory set clearance & lubrication
- Precision ground & superfinished raceways
- Hardened spring locking collar
- Field interchangeable seals
- See Features and Benefits for additional info on pages 10 - 13.



Bearing Dimensions

Size Code	Shaft Diameter	Part Number	A Outside Diameter	B Cartridge Length	D	M	P	Approx. Weight					
4	1 7/16	ZCS2107	3.1240	2.188	2 7/8	2 5/16	1 1/16	2.90					
	1 1/2	ZCS2108						2.80					
	35.00	ZCS2035MM						79.3500	55.570	73.02	58.74	17.46	1.80
5	1 11/16	ZCS2111	3.6360	2.438	3.13	2 19/32	1 1/16	4.50					
	1 3/4	ZCS2112						4.40					
	40.00	ZCS2040MM						92.3500	61.930	79.38	65.88	17.46	2.50
	45.00	ZCS2045MM											
6	1 15/16	ZCS2115	3.8330	2.391	3 1/8	2 7/8	1 1/16	5.00					
	2	ZCS2200						4.80					
	50.00	ZCS2050MM						97.3600	60.730	79.38	73.03	17.46	2.30
7	2 3/16	ZCS2203	4.2270	2.500	3 5/16	3 1/4	1 3/16	6.40					
	2 1/4	ZCS2204						6.30					
	55.00	ZCS2055MM						107.3600	63.500	84.14	82.60	19.84	3.20
8	2 3/8	ZCS2206	4.6210	2.625	3 1/2	3 9/16	7/8	7.60					
	2 7/16	ZCS2207						7.50					
	2 1/2	ZCS2208						7.30					
	60.00	ZCS2060MM						117.3700	66.680	88.90	90.50	22.23	3.90
	65.00	ZCS2065MM											
9	2 11/16	ZCS2211	5.4070	3.125	4.00	4 1/16	7/8	12.30					
	2 3/4	ZCS2212						11.90					
	2 15/16	ZCS2215						10.80					
	3	ZCS2300						10.50					
	70.00	ZCS2070MM						137.3380	79.380	101.60	103.20	22.23	6.40
10	75.00	ZCS2075MM						5.90					
	3 3/16	ZCS2303	6.1940	3.438	4 3/8	4 29/32	1 5/16	17.90					
	3 7/16	ZCS2307						16.40					
	3 1/2	ZCS2308						15.90					
	80.00	ZCS2080MM											9.00
	85.00	ZCS2085MM						157.3300	87.330	111.13	124.62	23.81	8.60
90.00	ZCS2090MM											8.20	
11	3 11/16	ZCS2311	7.3750	4.000	5 1/16	5 5/8	1 1/32	31.10					
	3 15/16	ZCS2315						28.80					
	4	ZCS2400						28.10					
	100.00	ZCS2100MM						187.3200	101.600	128.59	142.90	26.19	14.10

Additional Notes

- Please call 1-866-REXNORD for availability
- O.D. tolerance, +.000 in/-.002 in (+0.00 mm/-0.05 mm)
- Bore tolerance for mounting, +.002 in/-.000 in (+0.05 mm/-0.00 mm)
- Expansion - is 3/8 in for all size codes
- *Expansion plug diameter .531 in (13.49 mm), engagement depth .125 in +/- .015 in (3.18 mm +/- 0.38 mm)
- Hole for fixed location & slot for expansion location in the same housing

- Seals - to specify G, K or M seal, replace "Z" in part number with "G", "K" or "M"
- Auxiliary end caps - not available
- For the Selection Guide, Load Ratings and Speed Limits, see the Spherical Roller Bearings Engineering section on pages 17 - 29.
- Note: Dimensions subject to change. Certified dimensions of ordered material furnished on request.

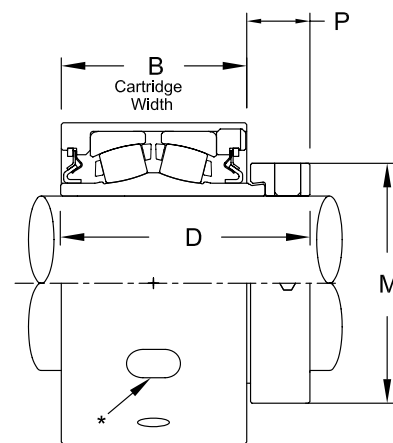
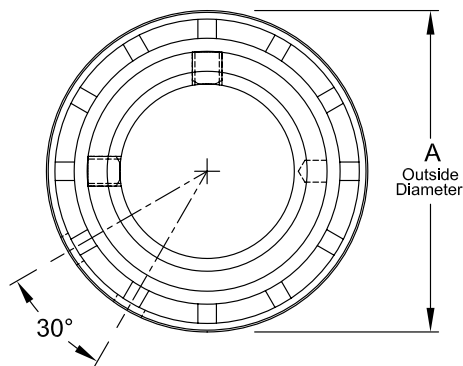
ZCS3000



Photo Shows a Spherical Roller Bearing Cartridge Unit with Steel Housing

Product Features

- Steel housing
- Misalignment capabilities - total of 4°
- Broad range of sealing options
- Factory set clearance & lubrication
- Precision ground & superfinished raceways
- Eccentric locking collar
- Field interchangeable seals
- See Features and Benefits for additional info on pages 10 - 13.



Bearing Dimensions

Size Code	Shaft Diameter	Part Number	A Outside Diameter	B Cartridge Length	D	M	P	Approx. Weight
4	1 ⁷ / ₁₆	ZCS3107	3.1240	2.188	2 ⁵⁹ / ₆₄	2 ⁵ / ₁₆	²⁵ / ₃₂	3.10
5	1 ¹¹ / ₁₆	ZCS3111	3.6360	2.438	3 ³ / ₁₆	2 ⁵ / ₈	³ / ₄	4.70
6	1 ¹⁵ / ₁₆	ZCS3115	3.8330	2.391	3 ⁹ / ₃₂	2 ³ / ₄	²⁷ / ₃₂	3.50
7	2 ³ / ₁₆	ZCS3203	4.2270	2.500	3 ¹ / ₂	3 ¹ / ₄	³¹ / ₃₂	6.70
8	2 ⁷ / ₁₆	ZCS3207	4.6210	2.625	3 ²¹ / ₃₂	3 ⁹ / ₁₆	1 ¹ / ₆₄	7.70
	2 ¹ / ₂	ZCS3208						7.60
9	2 ¹¹ / ₁₆	ZCS3211	5.4070	3.125	4 ¹³ / ₆₄	4 ¹ / ₁₆	1 ¹ / ₆₄	12.50
	2 ¹⁵ / ₁₆	ZCS3215						11.50
10	3 ⁷ / ₁₆	ZCS3307	6.1940	3.438	4 ³⁷ / ₆₄	4 ¹⁵ / ₁₆	1 ⁹ / ₆₄	17.00
	3 ¹ / ₂	ZCS3308						16.10
11	3 ¹⁵ / ₁₆	ZCS3315	7.3740	4.000	5 ³ / ₁₆	5 ⁵ / ₈	1 ¹ / ₁₆	28.80

Additional Notes

- Please call 1-866-REXNORD for availability
- O.D. tolerance, +.000 in/-.002 in (**+0.00 mm/-0.05 mm**)
- Bore tolerance for mounting, +.002 in/-.000 in (**+0.05 mm/-0.00 mm**)
- Expansion - is 3/8 in for all size codes
- *Expansion plug diameter .531 in (**13.49 mm**), engagement depth .125 in +/- .015 in (**3.18 mm +/- 0.38 mm**)
- Hole for fixed location & slot for expansion location in the same housing
- Seals - to specify G, K or M seal, replace "Z" in part number with "G", "K" or "M"

- Auxiliary end caps - not available
- For the Selection Guide, Load Ratings and Speed Limits, see the Spherical Roller Bearings Engineering section on pages 17 - 29.
- Note: Dimensions subject to change. Certified dimensions of ordered material furnished on request.

ZCS5000

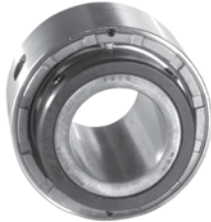
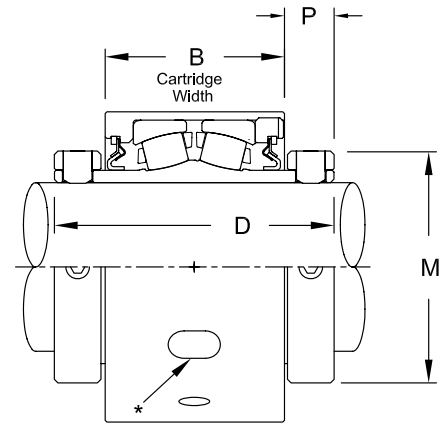
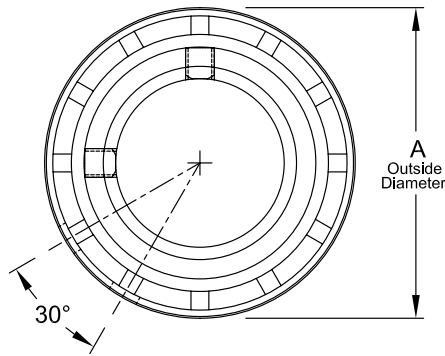


Photo Shows a Spherical Roller Bearing Cartridge Unit with Steel Housing

Product Features

- Steel housing
- Misalignment capabilities - total of 4°
- Broad range of sealing options
- Factory set clearance & lubrication
- Precision ground & superfinished raceways
- Two hardened spring locking collars
- Field interchangeable seals
- See Features and Benefits for additional info on pages 10 - 13.



Bearing Dimensions

Size Code	Shaft Diameter	Part Number	A Outside Diameter	B Cartridge Length	D	M	P	Approx. Weight
4	1 7/16	ZCS5107	3.1240	2.188	3 9/16	2 5/16	1 1/16	3.30
	35.00	ZCS5035MM	79.3500	55.580	90.49	58.74	17.46	1.50
5	1 1/2	ZCS5108	3.6360	2.438	3 13/16	2 19/32	1 1/16	5.70
	40.00	ZCS5040MM	92.3500	61.930	96.84	65.88	17.46	5.10
	45.00	ZCS5045MM						2.59
6	1 15/16	ZCS5115	3.8330	2.391	3 13/16	2 7/8	1 1/16	2.55
	50.00	ZCS5050MM	97.3600	61.730	96.84	73.03	17.46	5.30
7	2	ZCS5200	4.2270	2.500	4 1/8	3 1/4	1 3/16	2.40
	2 3/16	ZCS5203						8.10
	55.00	ZCS5055MM	107.3600	63.500	104.78	82.60	20.64	7.50
8	2 7/16	ZCS5207	4.6210	2.625	4 3/8	3 9/16	7/8	3.40
	60.00	ZCS5060MM	117.3700	66.680	111.13	90.50	22.23	8.70
	65.00	ZCS5065MM						4.08
9	2 1/2	ZCS5208						4.20
	2 11/16	ZCS5211	5.4070	3.125	4 7/8	4 1/16	7/8	15.10
	2 15/16	ZCS5215						14.10
	70.00	ZCS5070MM	137.3380	79.380	123.83	103.20	22.23	12.10
	75.00	ZCS5075MM						6.40
10	3 3/16	ZCS5303	6.1940	3.438	5 5/16	4 29/32	1 5/16	6.00
	3 7/16	ZCS5307						19.80
	80.00	ZCS5080MM	157.3300	88.140	134.94	124.62	23.81	17.90
	85.00	ZCS5085MM						8.90
	90.00	ZCS5090MM						8.50
11	3 11/16	ZCS5311	7.3750	4	6 1/8	5 5/8	1 1/32	8.10
	3 15/16	ZCS5315						33.60
	4	ZCS5400						32.60
	100.00	ZCS5100MM	187.3200	101.600	155.58	142.90	26.19	31.60
								14.80
12	4 3/16	ZCS5403Y	7.9685	4 1/4	6 1/4	6 3/16	1 1/16	44.00
	4 7/16	ZCS5407Y						40.00
	4 1/2	ZCS5408Y						39.50
	110.00	ZCS5110MM	202.4000	107.950	158.75	157.16	26.99	20.00
	115.00	ZCS5115MM						18.00
13	4 15/16	ZCS5415	9.3442	5.560	7 7/8	7 1/16	1 5/32	54.00
	5	ZCS5500						53.50
	125.00	ZCS5125MM	237.3400	141.220	200.03	179.39	29.37	24.50
	130.00	ZCS5130MM						24.25

Additional Notes

- Please call 1-866-REXNORD for availability
- O.D. tolerance, Size Code 11 and smaller +.000 in/-.002 in (+0.00 mm/-0.05 mm)
- O.D. tolerance, Size Code 12 and larger +.000 in/-.003 in (+0.00 mm/-0.08 mm)
- Bore tolerance for mounting, +.002 in/-.000 in (+0.05 mm/-0.00 mm)
- Expansion - is 3/8 in for all size codes
- *Expansion plug diameter .531 in (13.49 mm), engagement depth .125 in +/- .015 in (3.18 mm +/- 0.38 mm)

- Hole for fixed location & slot for expansion location in the same housing
- Seals - to specify G, K or M seal, replace "Z" in part number with "G", "K" or "M"
- "K" seals available in size codes 4 thru 11
- Auxiliary end caps - not available
- For the Selection Guide, Load Ratings and Speed Limits, see the Spherical Roller Bearings Engineering section on pages 17 - 29.
- Note: Dimensions subject to change. Certified dimensions of ordered material furnished on request.

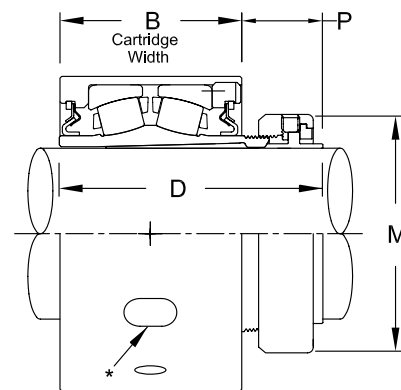
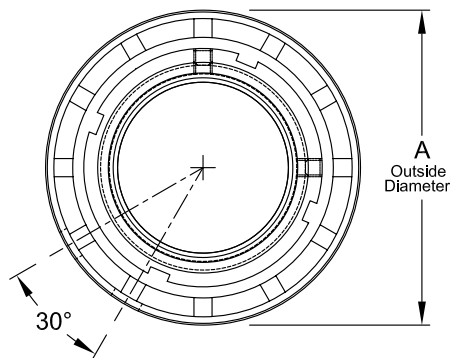
ZCS6000



Photo Shows a Spherical Roller Bearing Cartridge Unit with Steel Housing

Product Features

- Positive locking system
 - Tapered adapter sleeve
 - Steel housing
 - Misalignment capabilities - total of 4°
 - Broad range of sealing options
 - Factory set clearance & lubrication
 - Precision ground & superfinished raceways
 - Field interchangeable seals
- See Features and Benefits for additional info on pages 10 - 13.



Bearing Dimensions

Size Code	Shaft Diameter	Part Number	A Outside Diameter	B Cartridge Length	D	M	P	Approx. Weight
4	1 ⁷ / ₁₆	ZCS6107	3.1240	2.188	3 ²¹ / ₆₄	2 ²⁵ / ₆₄	1 ⁹ / ₆₄	2.90
	35.00	ZCS6035MM	79.350	55.575	84.53	60.72	28.97	1.30
5	1 ¹¹ / ₁₆	ZCS6111	3.6360	2.438	3 ⁴⁷ / ₆₄	2 ⁴¹ / ₆₄	1 ⁹ / ₃₂	4.50
	40.00	ZCS6040MM	92.354	61.925	94.85	67.07	32.54	2.00
6	1 ¹⁵ / ₁₆	ZCS6115	3.8330	2.391	3 ⁴¹ / ₆₄	2 ⁵⁵ / ₆₄	1 ¹ / ₈	5.30
	45.00	ZCS6045MM	97.3600	60.730	92.47	72.63	28.58	2.55
7	2 ³ / ₁₆	ZCS6203	4.2270	2.500	3 ¹¹ / ₁₆	3 ¹⁵ / ₆₄	1 ⁵ / ₃₂	8.10
	50.00	ZCS6050MM	107.3600	65.020	93.66	82.15	29.37	3.40
	55.00	ZCS6055MM						
8	2 ³ / ₈	ZCS6206	4.6210	2.625	4 ¹ / ₁₆	3 ¹⁹ / ₃₂	1 ²⁷ / ₆₄	9.10
	2 ⁷ / ₁₆	ZCS6207						8.70
	60.00	ZCS6060MM	117.3700	66.680	103.19	91.28	36.12	4.08
9	2 ¹¹ / ₁₆	ZCS6211						15.10
	2 ³ / ₄	ZCS6212	5.4070	3.125	4 ¹⁷ / ₃₂	4 ³ / ₃₂	1 ²⁵ / ₆₄	14.10
	2 ¹⁵ / ₁₆	ZCS6215						12.10
	65.00	ZCS6065MM						
	70.00	ZCS6070MM	137.3380	79.380	115.09	103.98	35.32	6.40
	75.00	ZCS6075MM						6.00
10	3 ³ / ₁₆	ZCS6303	6.1940	3.438	5 ¹ / ₃₂	4 ⁶¹ / ₆₄	1 ¹⁹ / ₃₂	19.80
	3 ⁷ / ₁₆	ZCS6307						17.90
	80.00	ZCS6080MM	157.3300	88.140	127.79	125.81	40.48	8.90
	85.00	ZCS6085MM						8.50
11	3 ¹¹ / ₁₆	ZCS6311	7.3750	4	5 ²⁵ / ₃₂	5 ⁴³ / ₆₄	1 ⁴⁷ / ₆₄	33.60
	3 ¹⁵ / ₁₆	ZCS6315						32.60
	90.00	ZCS6090MM	187.3200	101.600	146.84	144.07	44.05	14.80
	100.00	ZCS6100MM						
12	4 ³ / ₁₆	ZCS6403Y	7.9685	4 ¹ / ₄	6 ¹ / ₄	6 ¹ / ₁₆	1 ⁷ / ₈	40.00
	4 ⁷ / ₁₆	ZCS6407Y						39.50
	110.00	ZCS6110MM	202.4000	107.950	158.75	153.99	47.63	20.00
13	4 ¹⁵ / ₁₆	ZCS6415	9.3442	5.560	7 ¹⁵ / ₁₆	6 ⁶¹ / ₆₄	2 ¹ / ₄	54.00
	125.00	ZCS6125MM	237.3400	141.220	201.61	176.61	57.15	24.50

Additional Notes

- Please call 1-866-REXNORD for availability
- O.D. tolerance, Size Code 11 and smaller +.000 in/-.002 in (+0.00 mm/-0.05 mm)
- O.D. tolerance, Size Code 12 and larger +.000 in/-.003 in (+0.00 mm/-0.08 mm)
- Bore tolerance for mounting, +.002 in/-.000 in (+0.05 mm/-0.00 mm)
- Expansion - is 3/8 in for all size codes
- *Expansion plug diameter .531 in (13.49 mm), engagement depth .125 in +/- .015 in (3.18 mm +/- 0.38 mm)

- Hole for fixed location & slot for expansion location in the same housing
- Seals - to specify G, K or M seal, replace "Z" in part number with "G", "K" or "M"
- "K" seals available in size codes 4 thru 11
- Auxiliary end caps - not available
- For the Selection Guide, Load Ratings and Speed Limits, see the Spherical Roller Bearings Engineering section on pages 17 - 29.
- Note: Dimensions subject to change. Certified dimensions of ordered material furnished on request.

ZCS9000

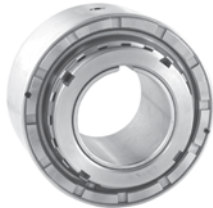
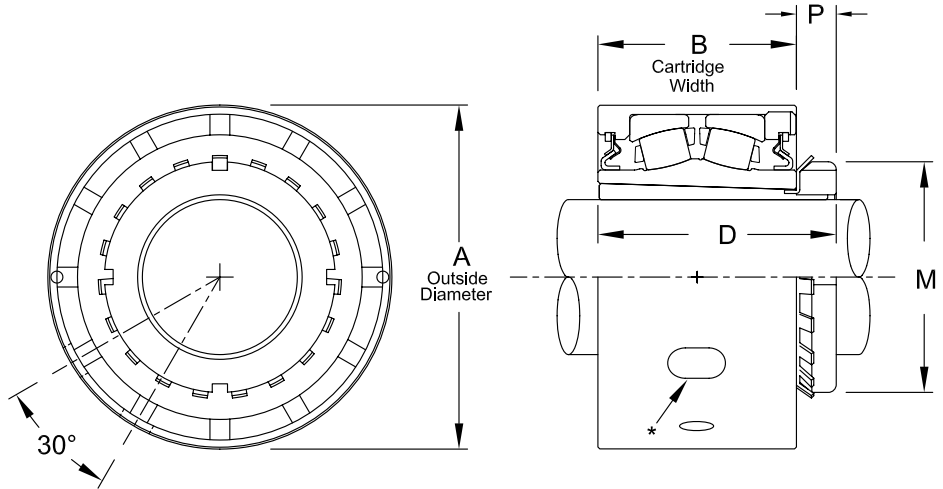


Photo Shows a Spherical Roller Bearing Cartridge Unit with Steel Housing

Product Features

- Steel housing
- Misalignment capabilities - total of 4°
- Broad range of sealing options
- Factory set clearance & lubrication
- Precision ground & superfinished raceways
- Enhanced life mounting style
- Field interchangeable seals
- See Features and Benefits for additional info on pages 10 - 13.



Bearing Dimensions

Size Code	Shaft Diameter	Part Number	A Outside Diameter	B Cartridge Length	D	M	P	Approx. Weight
7	1 ¹⁵ / ₁₆	ZCS9115	4.2270	2.500	3 ⁵ / ₃₂	2 ³¹ / ₃₂	19 ¹ / ₃₂	6.60
	2	ZCS9200						6.50
	45.00	ZCS9045MM	107.3600	65.020	80.17	75.40	15.08	2.90
	50.00	ZCS9050MM						3.10
8	2 ³ / ₁₆	ZCS9203	4.6210	2.625	3 ¹¹ / ₃₂	3 ³ / ₈	23 ² / ₃₂	7.90
	55.00	ZCS9055MM	117.3700	66.680	84.93	85.73	18.26	3.60
9	2 ⁷ / ₁₆	ZCS9207	5.4070	3.125	3 ³ / ₄	3 ⁵ / ₈	5 ⁵ / ₈	11.60
	2 ¹ / ₂	ZCS9208						11.20
10	2 ¹¹ / ₁₆	ZCS9211	6.1940	3.438	4 ¹ / ₄	4 ¹³ / ₃₂	13 ¹ / ₁₆	19.10
	2 ¹⁵ / ₁₆	ZCS9215						17.90
	3	ZCS9300						17.20
	75.00	ZCS9075MM						157.3300
11	3 ³ / ₁₆	ZCS9303	7.3750	4	5	5 ³ / ₁₆	15 ¹ / ₁₆	34.30
	3 ⁷ / ₁₆	ZCS9307						32.30
	80.00	ZCS9080MM						187.3200
12	3 ¹¹ / ₁₆	ZCS9311Y	7.9685	4 ¹ / ₄	5 ¹⁷ / ₃₂	5 ²³ / ₃₂	1 ¹ / ₃₂	44.00
	3 ¹⁵ / ₁₆	ZCS9315Y						40.00
	4	ZCS9400Y						39.50
	100.00	ZCS9100MM						202.4000
13	4 ³ / ₁₆	ZCS9403	9.3442	5.562	6 ³ / ₄	6 ¹ / ₈	1 ¹ / ₈	54.00
	4 ⁷ / ₁₆	ZCS9407						53.50

Additional Notes

- Please call 1-866-REXNORD for availability
- O.D. tolerance, Size Code 11 and smaller +.000 in/-.002 in (+0.00 mm/-0.05 mm)
- O.D. tolerance, Size Code 12 and larger +.000 in/-.003 in (+0.00 mm/-0.08 mm)
- Bore tolerance for mounting, +.002 in/-.000 in (+0.05 mm/-0.00 mm)
- Expansion - is 3/8 in for all size codes
- *Expansion plug diameter .531 in (13.49 mm), engagement depth .125 in +/- .015 in (3.18 mm +/- 0.38 mm)
- Hole for fixed location & slot for expansion location in the same housing

- Seals - to specify G, K or M seal, replace "Z" in part number with "G", "K" or "M"
- "K" seals available in size codes 4 thru 11
- Auxiliary end caps - not available
- For the Selection Guide, Load Ratings and Speed Limits, see the Spherical Roller Bearings Engineering section on pages 17 - 29.
- Note: Dimensions subject to change. Certified dimensions of ordered material furnished on request.

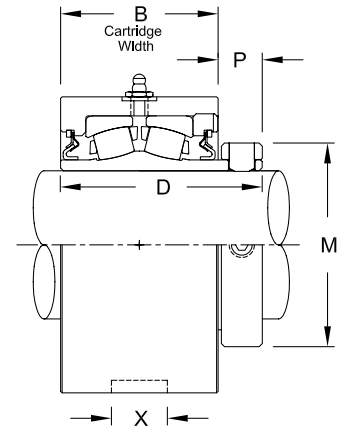
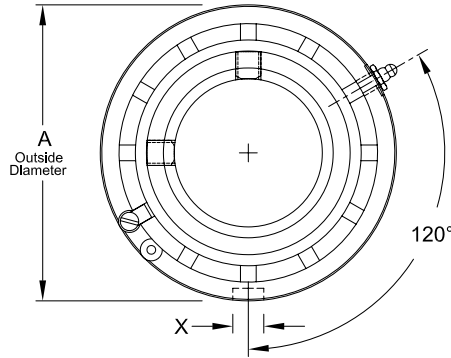
ZMC2000



Photo Shows a Spherical Roller Bearing Cartridge Unit with Cast Iron Housing

Product Features

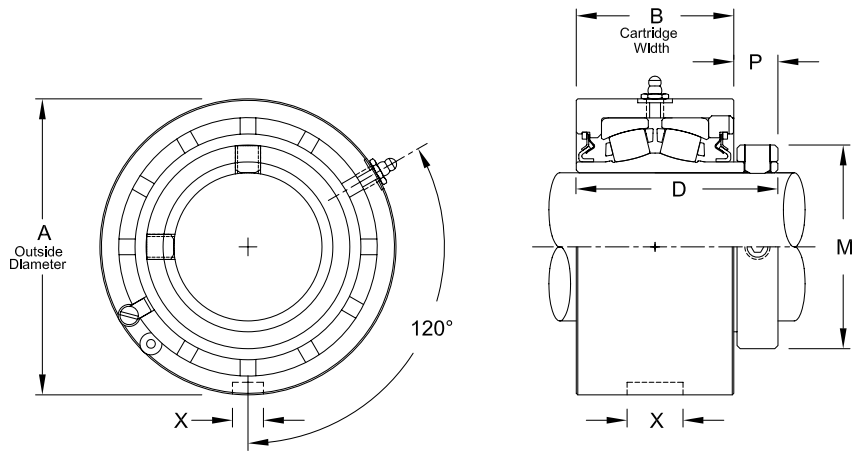
- Corrosion-resistant powder coating
- Cast iron housing
- Misalignment capabilities - total of 4°
- Broad range of sealing options
- Factory set clearance & lubrication
- Precision ground & superfinished raceways
- Hardened spring locking collar
- Field interchangeable seals
- See Features and Benefits for additional info on pages 10 - 13.



Bearing Dimensions

Size Code	Shaft Diameter	Part Number	A Outside Diameter	B Cartridge Length	D	M	P	X Depth	X Length	X Width	Approx. Weight
2	3/4	ZMC2012	3.0000	2	2 9/16	1 3/4	9/16	-	-	-	3.10
	15/16	ZMC2015									2.90
	1	ZMC2100									2.50
3	25.00	ZMC2025MM	76.2000	50.800	65.09	44.45	14.29	-	-	-	1.30
	1 1/8	ZMC2102	3.2190	2 1/8	2 11/16	1 31/32	9/16	-	-	-	3.50
	1 3/16	ZMC2103									3.40
	1 1/4	ZMC2104									3.30
30.00	ZMC2030MM	81.7600	53.980	68.26	50.00	14.29	-	-	-	1.60	
4	1 7/16	ZMC2107	3.4370	2 3/16	2 7/8	2 5/16	11/16	3/16	29/32	0.531	3.90
	1 1/2	ZMC2108									3.80
	35.00	ZMC2035MM									87.3000
5	1 11/16	ZMC2111	3.9370	2 7/16	3 1/8	2 19/32	11/16	3/16	29/32	0.531	5.60
	1 3/4	ZMC2112									5.40
	40.00	ZMC2040MM									100.0000
	45.00	ZMC2045MM	115.0880	65.090	84.14	82.60	19.84	4.76	23.02	13.460	3.40
6	1 15/16	ZMC2115	4.1250	2 7/16	3 1/8	2 7/8	11/16	3/16	29/32	0.531	5.80
	2	ZMC2200									5.60
	50.00	ZMC2050MM									104.7800
7	2 3/16	ZMC2203	4.5310	2 9/16	3 5/16	3 1/4	13/16	3/16	29/32	0.531	7.50
	2 1/4	ZMC2204									7.30
	55.00	ZMC2055MM									115.0880
8	2 3/8	ZMC2206	5.0000	2 5/8	3 1/2	3 9/16	7/8	3/16	29/32	0.531	9.50
	2 7/16	ZMC2207									9.40
	2 1/2	ZMC2208									9.20
	60.00	ZMC2060MM	127.0000	66.680	88.90	90.50	22.23	4.76	23.02	13.490	4.80
	65.00	ZMC2065MM	149.2250	79.380	101.60	103.20	22.23	6.35	26.19	15.090	4.40
9	2 11/16	ZMC2211	5.8750	3 1/8	4	4 1/16	7/8	1/4	1 1/32	0.594	15.90
	2 3/4	ZMC2212									15.50
	2 15/16	ZMC2215									14.40
	3	ZMC2300									14.10
	70.00	ZMC2070MM									149.2250
75.00	ZMC2075MM	170.0000	82.600	104.80	106.40	22.23	6.35	26.19	15.090	7.80	
10	3 3/16	ZMC2303	6.7500	3 7/16	4 3/8	4 29/32	15/16	9/32	1 1/16	0.594	22.50
	3 7/16	ZMC2307									20.50

Continued...



Continued...

Bearing Dimensions

Size Code	Shaft Diameter	Part Number	A Outside Diameter	B Cartridge Length	D	M	P	X Depth	X Length	X Width	Approx. Weight
10	3 1/2	ZMC2308	6.7500	3 7/16	4 3/8	4 29/32	15/16	9/32	1 1/16	0.594	20.00
	80.00	ZMC2080MM									11.20
	85.00	ZMC2085MM	171.4500	87.310	111.13	124.62	23.81	6.35	26.19	15.090	11.00
	90.00	ZMC2090MM									10.80
11	3 11/16	ZMC2311									38.50
	3 15/16	ZMC2315	8.1250	4 1/8	5 1/16	5 5/8	1 1/32	5/16	1 9/32	0.781	36.50
	4	ZMC2400									35.80
	100.00	ZMC2100MM	206.3750	104.780	128.59	142.90	26.19	7.94	32.54	19.830	16.60

Additional Notes

Please call 1-866-REXNORD for availability
 Metric bore sizes available, see Rex Interchangeability guide
 Lubrication fitting tap size, 1/8 PT
 Bore size = nominal shaft size +.001 in/-.000 in (+0.03 mm/-0.00 mm)
 O.D. tolerance, +.000 in/-.002 in (+0.00 mm/-0.05 mm)
 Bore Tolerance for mounting, +.002 in/-.000 in (+0.05 mm/-0.00 mm)
 Seals - to specify G, K or M seal, replace "Z" in part number with "G", "K" or "M"

"G" seals available in size codes 3 thru 11
 Auxiliary end caps - not available
 For the Selection Guide, Load Ratings and Speed Limits, see the Spherical Roller Bearings Engineering section on pages 17 - 29.
 Note: Dimensions subject to change. Certified dimensions of ordered material furnished on request.

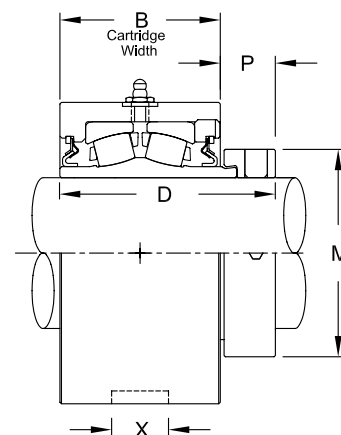
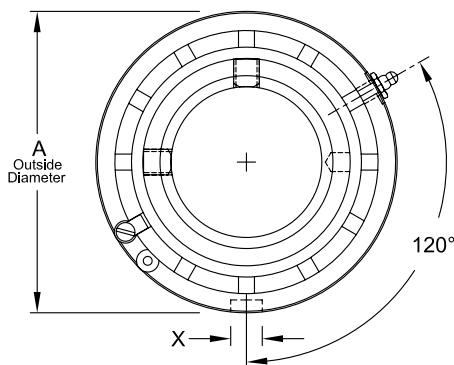
ZMC3000



Photo Shows a Spherical Roller Bearing Cartridge Unit with Cast Iron Housing

Product Features

- Corrosion-resistant powder coating
- Cast iron housing
- Misalignment capabilities - total of 4°
- Broad range of sealing options
- Factory set clearance & lubrication
- Precision ground & superfinished raceways
- Eccentric locking collar
- Field interchangeable seals
- See Features and Benefits for additional info on pages 10 - 13.



Bearing Dimensions

Size Code	Shaft Diameter	Part Number	A Outside Diameter	B Cartridge Length	D	M	P	X Depth	X Length	X Width	Approx. Weight
4	1 7/16	ZMC3107	3.4370	2 3/16	2 59/64	2 5/16	25/32	3/16	29/32	0.531	4.10
5	1 11/16	ZMC3111	3.9370	2 7/16	3 3/16	2 5/8	3/4	3/16	29/32	0.531	5.80
6	1 15/16	ZMC3115	4.1250	2 7/16	3 9/32	2 15/16	27/32	3/16	29/32	0.531	6.00
7	2 3/16	ZMC3203	4.5310	2 9/16	3 1/2	3 1/4	31/32	3/16	29/32	0.531	7.80
8	2 7/16	ZMC3207	5.0000	2 5/8	3 21/32	3 9/16	1 1/64	3/16	29/32	0.531	9.60
	2 1/2	ZMC3208									9.50
9	2 11/16	ZMC3211	5.8750	3 1/8	4 13/64	4 1/16	1 1/64	1/4	1 1/32	0.594	16.10
	2 15/16	ZMC3215									15.10
10	3 7/16	ZMC3307	6.7500	3 7/16	4 37/64	4 15/16	1 9/64	9/32	1 1/16	0.594	21.10
	3 1/2	ZMC3308									20.20
11	3 15/16	ZMC3315	8.1250	4 1/8	5 3/16	5 5/8	1 1/16	5/16	1 9/32	0.781	36.50

Additional Notes

- Please call 1-866-REXNORD for availability
- Lubrication fitting tap size, 1/8" PT
- Bore size = nominal shaft size +.001 in/-0.000 in (+0.03 mm/-0.00 mm)
- O.D. tolerance, +.000 in/-0.002 in (+0.00 mm/-0.05 mm)
- Bore Tolerance for mounting, +.002 in/-0.000 in (+0.05 mm/-0.00 mm)
- Seals - to specify G, K or M seal, replace "Z" in part number with "G", "K" or "M"

- Auxiliary end caps - not available
- For the Selection Guide, Load Ratings and Speed Limits, see the Spherical Roller Bearings Engineering section on pages 17 - 29.
- Note: Dimensions subject to change. Certified dimensions of ordered material furnished on request.

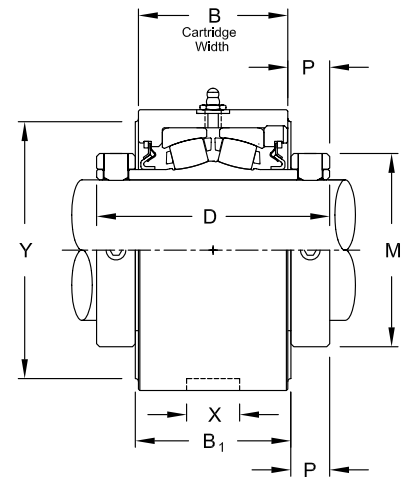
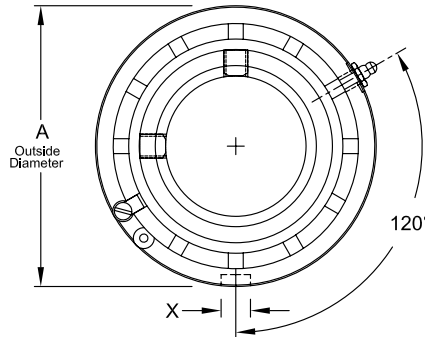
ZMC5000



Photo Shows a Spherical Roller Bearing Cartridge Unit with Cast Iron Housing

Product Features

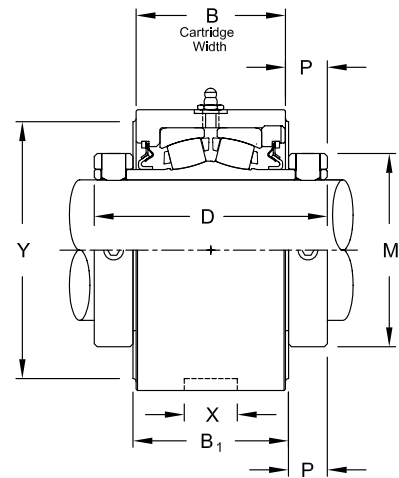
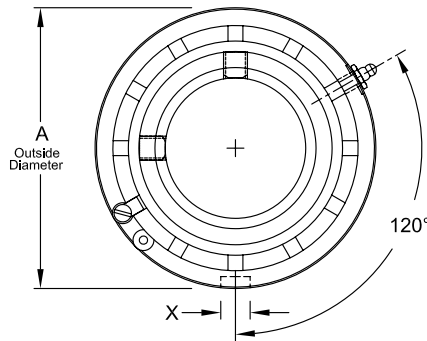
- Corrosion-resistant powder coating
- Cast iron housing
- Misalignment capabilities - total of 4°
- Broad range of sealing options
- Factory set clearance & lubrication
- Precision ground & superfinished raceways
- Two hardened spring locking collars
- Field interchangeable seals
- See Features and Benefits for additional info on pages 10 - 13.



Bearing Dimensions

Size Code	Shaft Diameter	Part Number	A Outside Diameter	B Cartridge Length	B1	D	M	P	X Depth	X Length	X Width	Y	Approx. Weight
4	1 7/16	ZMC5107	3.4370	2 3/16	-	3 9/16	2 5/16	11/16	3/16	29/32	0.531	-	4.30
	35.00	ZMC5035MM	3.4370	2 3/16	-	90.49	58.74	17.46	4.76	23.02	13.490	-	2.00
5	1 1/2	ZMC5108	3.9370	2 7/16	-	3 13/16	2 19/32	11/16	3/16	29/32	0.531	-	6.50
	1 11/16	ZMC5111	100.0000	61.910	-	96.84	65.88	17.46	4.76	23.02	13.490	-	5.90
	40.00	ZMC5040MM	100.0000	61.910	-	96.84	65.88	17.46	4.76	23.02	13.490	-	2.90
	45.00	ZMC5045MM	100.0000	61.910	-	96.84	65.88	17.46	4.76	23.02	13.490	-	2.70
6	1 15/16	ZMC5115	4.1250	2 7/16	-	3 13/16	2 7/8	11/16	3/16	29/32	0.531	-	6.50
	50.00	ZMC5050MM	104.7800	61.910	-	96.84	73.03	17.46	4.76	23.02	13.490	-	2.90
7	2	ZMC5200	4.5310	2 9/16	-	4 1/8	3 1/4	13/16	3/16	29/32	0.531	-	9.50
	2 3/16	ZMC5203	115.0880	65.090	-	104.78	82.60	20.64	4.76	23.02	13.490	-	8.80
	55.00	ZMC5055MM	115.0880	65.090	-	104.78	82.60	20.64	4.76	23.02	13.490	-	4.00
8	2 7/16	ZMC5207	5.0000	2 5/8	-	4 3/8	3 9/16	7/8	3/16	29/32	0.531	-	10.60
	60.00	ZMC5060MM	127.0000	66.680	-	111.13	90.50	22.23	4.76	23.02	13.490	-	5.00
	65.00	ZMC5065MM	127.0000	66.680	-	111.13	90.50	22.23	4.76	23.02	13.490	-	4.80
9	2 1/2	ZMC5208	5.8750	3 1/8	-	4 7/8	4 1/16	7/8	1/4	1 1/32	0.594	-	18.70
	2 11/16	ZMC5211	149.2250	79.380	-	123.83	103.20	22.23	6.35	26.19	15.090	-	17.70
	2 15/16	ZMC5215	149.2250	79.380	-	123.83	103.20	22.23	6.35	26.19	15.090	-	15.70
	70.00	ZMC5070MM	149.2250	79.380	-	123.83	103.20	22.23	6.35	26.19	15.090	-	8.00
	75.00	ZMC5075MM	149.2250	79.380	-	123.83	103.20	22.23	6.35	26.19	15.090	-	7.60
10	3 3/16	ZMC5303	6.7500	3 7/16	-	5 5/16	4 29/32	15/16	9/32	1 1/16	0.594	-	24.70
	3 7/16	ZMC5307	171.4500	87.310	-	134.94	124.62	23.81	6.35	26.19	15.090	-	22.80
	80.00	ZMC5080MM	171.4500	87.310	-	134.94	124.62	23.81	6.35	26.19	15.090	-	11.20
	85.00	ZMC5085MM	171.4500	87.310	-	134.94	124.62	23.81	6.35	26.19	15.090	-	10.80
	90.00	ZMC5090MM	171.4500	87.310	-	134.94	124.62	23.81	6.35	26.19	15.090	-	10.40
11	3 11/16	ZMC5311	8.1250	4 1/8	-	6 1/8	5 5/8	1 1/32	5/16	1 9/32	0.781	-	44.00
	3 15/16	ZMC5315	206.3750	104.780	-	155.58	142.90	26.19	7.94	32.54	19.840	-	41.50
	4	ZMC5400	206.3750	104.780	-	155.58	142.90	26.19	7.94	32.54	19.840	-	41.00
	100.00	ZMC5100MM	206.3750	104.780	-	155.58	142.90	26.19	7.94	32.54	19.840	-	20.00
12	4 3/16	ZMC5403Y	8.7500	4 1/4	-	6 1/4	6 3/16	1 1/16	5/16	1 1/2	0.781	-	50.00
	4 7/16	ZMC5407Y	222.2500	107.950	-	158.75	157.16	26.99	7.94	32.54	19.840	-	47.00
	4 1/2	ZMC5408Y	222.2500	107.950	-	158.75	157.16	26.99	7.94	32.54	19.840	-	46.00
	110.00	ZMC5110MM	222.2500	107.950	-	158.75	157.16	26.99	7.94	32.54	19.840	-	22.70
	115.00	ZMC5115MM	222.2500	107.950	-	158.75	157.16	26.99	7.94	32.54	19.840	-	22.00
13	4 15/16	ZMC5415	10.4370	5 9/16	6	7 7/8	7 1/16	1 5/32	5/16	1 1/2	0.781	7 25/32	95.00

Continued...



Continued...

Bearing Dimensions

Size Code	Shaft Diameter	Part Number	A Outside Diameter	B Cartridge Length	B1	D	M	P	X Depth	X Length	X Width	Y	Approx. Weight
13	5	ZMC5500	10.4370	5 9/16	6	7 7/8	7 1/16	1 5/32	5/16	1 1/2	0.781	7 25/32	92.00
	125.00	ZMC5125MM	265.1000	141.290	152.40	200.03	179.39	29.37	7.94	32.54	19.840	197.64	43.00
	130.00	ZMC5130MM											42.00
14	5 7/16	ZMC5507	11.5000	5 9/16	5 7/8	8	8 3/16	1 7/32	7/32	1 1/2	0.781	9 9/16	114.00
	140.00	ZMC5140MM	292.1000	141.290	149.23	203.20	207.96	30.96	7.94	32.54	19.840	242.89	51.00
15	5 15/16	ZMC5515	12.2500	5 7/8	6 1/8	8 1/8	8 5/8	1 5/32	7/32	1 1/2	0.781	10 3/8	134.00
	6	ZMC5600											133.00
	150.00	ZMC5150MM	311.1500	149.230	155.58	206.38	219.08	29.37	7.94	32.54	19.840	263.53	61.00
	160.00	ZMC5160MM											59.00
16	6 7/16	ZMC5607	13.5630	6 3/16	6 1/2	8 3/4	9 23/32	1 9/32	7/32	1 1/2	0.781	10 3/8	180.00
	6 15/16	ZMC5615											167.00
	7	ZMC5700											166.00
	180.00	ZMC5180MM											344.5000

Additional Notes

Please call 1-866-REXNORD for availability
 Metric bore sizes available, see Rex Interchangeability guide
 Lubrication fitting tap size: for size code 4 thru 11, 1/8" PT; for all other size codes, 1/4" PT
 Bore size = nominal shaft size +.001 in/-.000 in (+0.03 mm/-0.00 mm)
 O.D. tolerance, for size code 4 thru 11 +.000 in/-.002 in (+0.00 mm/-0.05 mm); for all other size codes, +.000 in/-.003 in (+0.00 mm/-0.08 mm)
 Bore Tolerance for mounting, +.002 in/-.000 in (+0.05 mm/-0.00 mm)

Seals - to specify G, K or M seal, replace "Z" in part number with "G", "K" or "M"
 "G" seals only available in size codes 4 thru 13
 "K" seals only available in size codes 4 thru 11
 Auxiliary end caps - not available
 For the Selection Guide, Load Ratings and Speed Limits, see the Spherical Roller Bearings Engineering section on pages 17 - 29.
 Note: Dimensions subject to change. Certified dimensions of ordered material furnished on request.

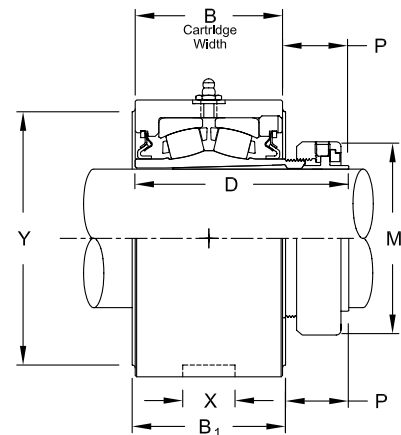
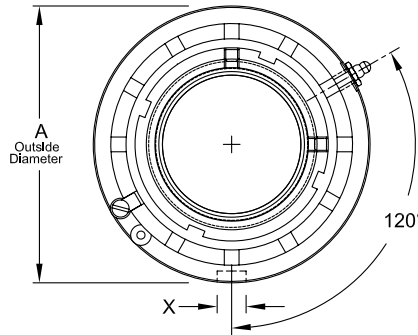
ZMC6000



Photo Shows a Spherical Roller Bearing Cartridge Unit with Cast Iron Housing

Product Features

- Positive locking system
- Tapered adapter sleeve
- Corrosion-resistant powder coating
- Cast iron housing
- Misalignment capabilities - total of 4°
- Broad range of sealing options
- Factory set clearance & lubrication
- Precision ground & superfinished raceways
- See Features and Benefits for additional info on pages 10 - 13.



Bearing Dimensions

Size Code	Shaft Diameter	Part Number	A Outside Diameter	B Cartridge Length	B1	D	M	P	X Depth	X Length	X Width	Y	Approx. Weight
4	1 7/16	ZMC6107	3.437	2 3/16	-	3 21/64	2 25/64	1 9/64	3/16	29/32	0.531	-	3.90
	35.00	ZMC6035MM	87.2998	55.575	-	84.53	60.72	28.97	4.76	23.02	13.49	-	1.80
5	1 11/16	ZMC6111	3.937	2 7/16	-	3 47/64	2 41/64	1 9/32	3/16	29/32	0.531	-	5.60
	40.00	ZMC6040MM	99.9998	61.925	-	94.85	67.07	32.54	4.76	23.02	13.49	-	2.50
6	1 15/16	ZMC6115	4.1250	2 7/16	-	3 41/64	2 55/64	1 1/8	3/16	29/32	0.531	-	6.50
	45.00	ZMC6045MM	104.7800	61.910	-	92.47	72.63	28.58	4.76	23.02	13.490	-	2.70
7	2 3/16	ZMC6203	4.5310	2 9/16	-	3 15/16	3 15/64	1 5/32	3/16	29/32	0.531	-	9.50
	50.00	ZMC6050MM	115.0880	65.090	-	93.66	82.15	29.37	4.76	23.02	13.490	-	4.00
8	2 3/8	ZMC6206	5.0000	2 5/8	-	4 1/16	3 19/32	1 27/64	3/16	29/32	0.531	-	10.90
	2 7/16	ZMC6207											10.60
	60.00	ZMC6060MM	127.0000	66.680	-	103.19	91.28	36.12	4.76	23.02	13.490	-	5.00
9	2 11/16	ZMC6211	5.8750	3 1/8	-	4 17/32	4 3/32	1 25/64	1/4	1 1/32	0.594	-	18.70
	2 3/4	ZMC6212											17.70
	2 15/16	ZMC6215											15.70
	65.00	ZMC6065MM	149.2250	79.380	-	115.09	103.98	35.32	6.35	26.19	15.090	-	8.00
	70.00	ZMC6070MM											7.60
75.00	ZMC6075MM	-	-	-	-	-	-	-	-	-	-	24.70	
10	3 3/16	ZMC6303	6.7500	3 7/16	-	5 1/32	4 61/64	1 19/32	9/32	1 1/16	0.594	-	22.80
	3 7/16	ZMC6307											11.20
	80.00	ZMC6080MM	171.4500	87.310	-	127.79	125.81	40.48	6.35	26.19	15.090	-	10.80
	85.00	ZMC6085MM											44.00
11	3 11/16	ZMC6311	8.1250	4 1/8	-	5 25/32	5 43/64	1 47/64	5/16	1 9/32	0.781	-	41.50
	3 15/16	ZMC6315											20.00
	90.00	ZMC6090MM	206.3750	104.780	-	146.84	144.07	44.05	7.94	32.54	19.840	-	50.00
	100.00	ZMC6100MM											47.00
12	4 3/16	ZMC6403Y	8.7500	4 1/4	-	6 1/4	6 1/16	1 7/8	5/16	1 1/2	0.781	-	22.70
	4 7/16	ZMC6407Y											95.00
	110.00	ZMC6110MM	222.2500	107.950	-	158.75	153.99	47.63	7.94	32.54	19.840	-	43.00
13	4 15/16	ZMC6415	10.4370	5 9/16	6	7 15/16	6 61/64	2 1/4	5/16	1 1/2	0.781	7 25/32	95.00
	115.00	ZMC6115MM											265.1000
	125.00	ZMC6125MM	-										
14	5 7/16	ZMC6507	11.5000	5 9/16	5 7/8	8 49/64	8 1/64	3 3/64	7/32	1 1/2	0.781	9 9/16	114.00
15	5 15/16	ZMC6515	12.2500	5 7/8	6 1/8	9 19/64	8 21/32	3 7/16	7/32	1 1/2	0.781	10 3/8	134.00
16	6 7/16	ZMC6607	13.5630	6 3/16	6 1/2	10	9 3/4	3 43/64	7/32	1 1/2	0.781	11 3/8	180.00
	6 1/2	ZMC6608											167.00
	6 15/16	ZMC6615											-

Additional Notes

- Please call 1-866-REXNORD for availability
- Lubrication fitting tap size: for size code 6 thru 11, 1/8" PT; for all other size codes, 1/4" PT
- Bore size = nominal shaft size +.001 in/-.000 in (+0.03 mm/-0.00 mm)
- O.D. tolerance, for size code 6 thru 11 +.000 in/-.002 in (+0.00 mm/-0.05 mm); for all other size codes, +.000 in/-.003 in (+0.00 mm/-0.08 mm)
- Bore Tolerance for mounting, +.002 in/-.000 in (+0.05 mm/-0.00 mm)
- Seals - to specify K or M seal, replace "Z" in part number with "K" or "M"

- "G" seals only available in size codes 4 thru 13
- "K" seals only available in size codes 4 thru 11
- Auxiliary end caps - not available
- For the Selection Guide, Load Ratings and Speed Limits, see the Spherical Roller Bearings Engineering section on pages 17 - 29.
- Note: Dimensions subject to change. Certified dimensions of ordered material furnished on request.

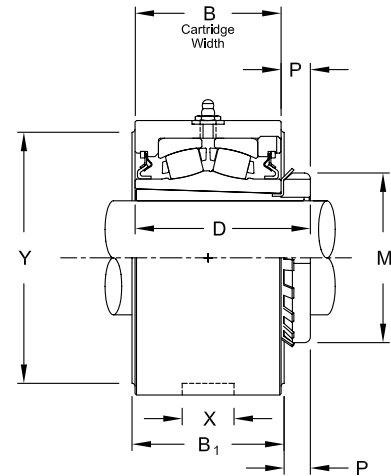
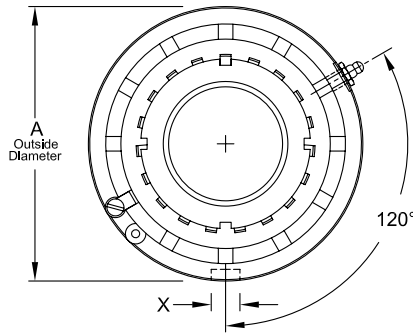
ZMC9000



Photo Shows a Spherical Roller Bearing Cartridge Unit with Cast Iron Housing

Product Features

- Corrosion-resistant powder coating
- Cast iron housing
- Misalignment capabilities - total of 4°
- Broad range of sealing options
- Factory set clearance & lubrication
- Precision ground & superfinished raceways
- Enhanced life mounting style
- Field interchangeable seals
- See Features and Benefits for additional info on pages 10 - 13.



Bearing Dimensions

Size Code	Shaft Diameter	Part Number	A Outside Diameter	B Cartridge Length	B1	D	M	P	X Depth	X Length	X Width	Y	Approx. Weight
7	1 15/16	ZMC9115	4.5310	2 9/16	-	3 5/32	2 31/32	19/32	3/16	29/32	0.531	-	7.60
	2	ZMC9200											7.40
	45.00	ZMC9045MM	115.0880	65.090	-	80.17	75.40	15.08	4.76	23.02	13.490	-	3.50
	50.00	ZMC9050MM											3.40
8	2 3/16	ZMC9203	5.0000	2 5/8	-	3 11/32	3 3/8	23/32	3/16	29/32	0.531	-	9.60
	55.00	ZMC9055MM	127.0000	66.680	-	84.93	85.73	18.26	4.76	23.02	13.490	-	4.30
9	2 7/16	ZMC9207	5.8750	3 1/8	-	3 3/4	3 5/8	5/8	1/4	1 1/32	0.594	-	15.60
	2 1/2	ZMC9208											15.20
10	2 11/16	ZMC9211	6.7500	3 7/16	-	4 1/4	4 13/32	13/16	9/32	1 1/16	0.594	-	23.80
	2 15/16	ZMC9215											22.50
	3	ZMC9300	171.4500	87.310	-	107.95	111.92	20.64	6.35	26.19	15.090	-	22.10
	75.00	ZMC9075MM											10.00
11	3 3/16	ZMC9303	8.1250	4 1/8	-	5	5 3/16	15/16	5/16	1 9/32	0.781	-	41.00
	3 7/16	ZMC9307											39.40
	80.00	ZMC9080MM	206.3750	104.780	-	127.00	131.76	23.81	7.94	32.54	19.840	-	18.60
12	3 11/16	ZMC9311Y	8.7500	4 1/4	-	5 17/32	5 23/32	1 1/32	5/16	1 1/2	0.781	-	48.50
	3 15/16	ZMC9315Y											46.20
	4	ZMC9400Y	222.2500	107.950	-	140.49	145.26	26.19	7.94	32.54	19.840	-	45.70
	100.00	ZMC9100MM											21.00
13	4 3/16	ZMC9403	10.4370	5 9/16	6	6 3/4	6 1/8	1 1/8	5/16	1 1/2	0.781	7 25/32	92.00
	4 7/16	ZMC9407											90.00
14	4 15/16	ZMC9415	11.5000	5 9/16	5 7/8	7 1/16	7 3/32	1 1/8	7/32	1 1/2	0.781	9 9/16	115.00
	5	ZMC9500											108.00
15	5 7/16	ZMC9507	12.2500	5 7/8	6 1/8	7 5/16	8 1/16	1 5/16	7/32	1 1/2	0.781	10 3/8	130.00
	5 15/16	ZMC9515	13.5630	6 3/16	6 1/2	7 3/4	9 1/16	1 11/16	7/32	1 1/2	0.781	11 3/8	175.00
	6	ZMC9600											177.00
16	6 7/16	ZMC9607											170.00

Additional Notes

- Please call 1-866-REXNORD for availability
- Lubrication fitting tap size: for size code 7 thru 11, 1/8" PT; for all other size codes, 1/4" PT
- Bore size = nominal shaft size +.001 in/-.000 in (+0.03 mm/-0.00 mm)
- O.D. tolerance, for size code 7 thru 11 +.000 in/-.002 in (+0.00 mm/-0.05 mm); for all other size codes, +.000 in/-.003 in (+0.00 mm/-0.08 mm)
- Bore Tolerance for mounting, +.002 in/-.000 in (+0.05 mm/-0.00 mm)
- Seals - to specify G, K or M seal, replace "Z" in part number with "G", "K" or "M"

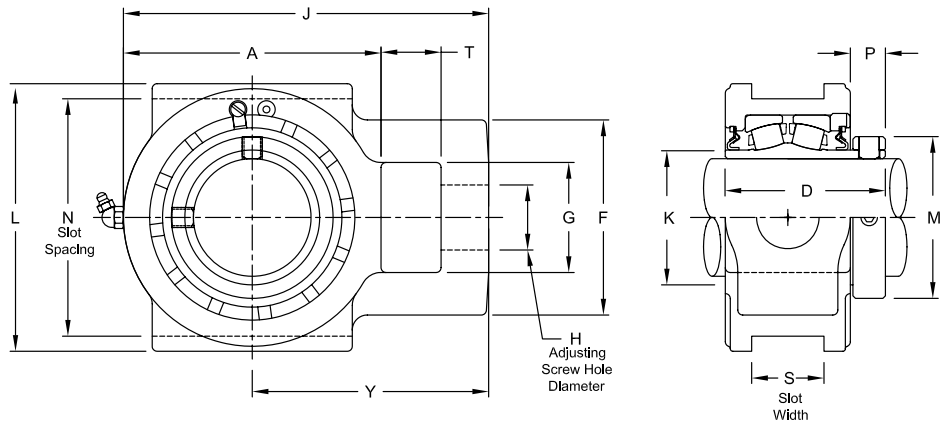
- "G" seals only available in size codes 7 thru 13
- "K" seals only available in size codes 7 thru 11
- Auxiliary end caps - not available
- For the Selection Guide, Load Ratings and Speed Limits, see the Spherical Roller Bearings Engineering section on pages 17 - 29.
- Note: Dimensions subject to change. Certified dimensions of ordered material furnished on request.

ZT2000

Interchange: WSTUS2, WSTUE, TBR, USTU5000, QATU, ETUTRB



Photo Shows a Spherical Roller Bearing Take-up Unit



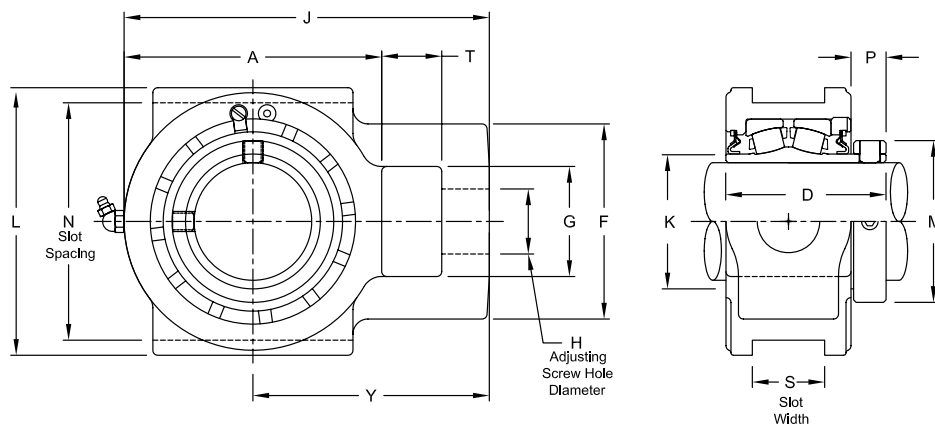
Product Features

- Corrosion-resistant powder coating
- Cast iron housing
- Misalignment capabilities - total of 4°
- Broad range of sealing options
- Factory set clearance & lubrication
- Precision ground & superfinished raceways
- Hardened spring locking collar
- Field interchangeable seals
- See Features and Benefits for additional info on pages 10 - 13.

Bearing Dimensions

Size Code	Shaft Diameter	Part Number	H Adjusting Screw Hole Diameter	N Slot Spacing	S Slot Width	A	D	F	G	J	K	L	M	P	T	Y	Allowable Working Load	Approx. Weight
2	3/4	ZT22012	3/4	3	17/32	3	2 9/16	2	1 1/4	4 1/16	1 5/16	3 5/8	1 3/4	9/16	5/8	2 9/16	4,400	4.00
	15/16	ZT22015															3,900	3.90
	1	ZT22100															1,995	1.80
3	1 1/8	ZT32102	7/8	3 1/2	17/32	3 3/8	2 11/16	2 5/16	1 7/16	4 9/16	1 17/32	4 1/8	1 31/32	9/16	5/8	2 7/8	5,700	5.50
	1 3/16	ZT32103															5,400	5.40
	1 1/4	ZT32104															5,300	5.30
4	30.00	ZT32030MM	22.23	88.900	13.490	85.73	68.26	58.74	36.51	141.29	38.890	104.78	50.00	14.29	15.88	73.03	2,585	2.40
	1 7/16	ZT42107	7/8	3 1/2	17/32	3 3/4	2 7/8	2 7/16	1 7/16	5 1/16	1 3/4	4 1/8	2 5/16	1 1/16	5/8	3 1/4	7,600	6.40
	1 1/2	ZT42108															6,300	6.30
35.00	ZT42035MM	22.23	88.900	13.490	95.25	73.02	61.91	36.51	128.59	44.450	104.78	58.74	17.46	15.88	82.55	3,447	2.90	
5	1 11/16	ZT52111	1 1/8	4	1 1/16	4 1/4	3 1/8	3 5/16	1 3/4	5 15/16	2 1/32	4 3/4	1 19/32	1 1/16	15/16	3 13/16	12,300	9.80
	1 3/4	ZT52112															9,700	9.70
	40.00	ZT52040MM															28.58	101.600
6	45.00	ZT52045MM	1 1/8	4	1 1/16	4 1/2	3 1/8	3 5/16	1 15/16	6 3/16	2 5/16	4 1/2	2 7/8	1 1/16	3/4	3 15/16	12,300	10.10
	1 15/16	ZT62115															9,900	9.90
	2	ZT62200															5,580	4.60
50.00	ZT62050MM	28.58	101.600	17.460	114.30	79.38	84.14	49.21	157.16	58.740	114.30	73.03	17.46	19.05	100.01	5,580	4.60	
7	2 3/16	ZT72203	1 3/8	4 1/2	13/16	5	3 5/16	3 7/8	2 1/4	7 1/8	2 5/8	5 1/4	3 1/4	13/16	1 1/4	4 5/8	13,500	13.60
	2 1/4	ZT72204															13,400	13.40
	55.00	ZT72055MM															34.93	114.300
8	2 3/8	ZT82206	1 3/8	5 1/8	1 1/16	5 1/2	3 1/2	4 1/4	2 1/4	7 13/16	2 29/32	5 7/8	3 9/16	7/8	1 1/4	5 1/16	20,900	18.30
	2 7/16	ZT82207															18,200	18.20
	2 1/2	ZT82208															17,900	17.90
	60.00	ZT82060MM															34.93	130.180
65.00	ZT82065MM	34.93	130.180	26.990	139.70	88.90	107.95	57.15	198.44	73.810	149.23	90.50	22.23	31.75	128.59	9,480	8.10	
9	2 11/16	ZT92211	1 5/8	5 15/16	1 13/16	6 7/16	4	4 7/8	2 3/4	9 1/8	3 3/8	6 11/16	4 1/16	7/8	1 1/2	5 15/16	26,800	28.80
	2 3/4	ZT92212															28,400	28.40
	2 15/16	ZT92215															27,600	27.60
	3	ZT92300															27,000	27.00
	70.00	ZT92070MM															41.28	150.810
75.00	ZT92075MM	41.28	150.810	46.040	163.51	101.60	123.83	69.85	231.78	85.730	169.86	103.20	20.64	38.10	150.81	12,150	12.50	
10	3 3/16	ZT102303	1 7/8	6 13/16	1 13/16	7 3/8	4 3/8	5 3/8	2 7/8	10	3 31/32	7 13/16	4 29/32	15/16	1 5/8	6 5/16	27,300	42.50
	3 7/16	ZT102307															40,500	40.50

Continued...



Continued...

Bearing Dimensions

Size Code	Shaft Diameter	Part Number	H Adjusting Screw Hole Diameter	N Slot Spacing	S Slot Width	A	D	F	G	J	K	L	M	P	T	Y	Allowable Working Load	Approx. Weight
10	3 1/2	ZT102308	1 7/8	6 13/16	1 13/16	7 3/8	4 3/8	5 3/8	2 7/8	10	3 31/32	7 13/16	4 29/32	15/16	1 5/8	6 5/16	27,300	40.00
	80.00	ZT102080MM															19.30	
	85.00	ZT102085MM	47.63	173.040	46.040	187.33	111.13	136.53	73.03	254.00	100.810	198.44	124.62	23.81	41.28	160.34	12,380	18.40
	90.00	ZT102090MM															18.10	
11	3 11/16	ZT112311																71.00
	3 15/16	ZT112315	2 1/8	8 5/8	2 1/16	8 7/8	5 1/16	5 3/8	3 3/8	12 1/8	4 9/16	9 7/16	5 5/8	1 1/32	2 1/8	7 11/16	45,400	68.00
	4	ZT112400																67.00
	100.00	ZT112100MM	53.98	219.080	52.390	225.43	128.59	136.53	85.73	307.98	115.890	239.71	142.90	26.19	53.98	195.26	20,600	30.90

Additional Notes

- Please call 1-866-REXNORD for availability
- Metric bore sizes available, see Rex Interchangeability guide
- Lubrication fitting tap size, 1/8" PT
- Bore size = nominal shaft size +.001 in/-.000 in (+0.03 mm/-0.00 mm)
- Take-up slot spacing & width tolerance, +.005 in/-.015 in (+0.13 mm/-0.38 mm)
- Seals - to specify G, K or M seal, replace "Z" in part number with "G", "K" or "M"
- Auxiliary end caps - available in all size codes except for size codes 2 & 3

- "G" seals only available in size codes 3 thru 11
- Allowable working load is 2/3 yield strength
- For the Selection Guide, Load Ratings and Speed Limits, see the Spherical Roller Bearings Engineering section on pages 17 - 29.
- Note: Dimensions subject to change. Certified dimensions of ordered material furnished on request.

ZT3000

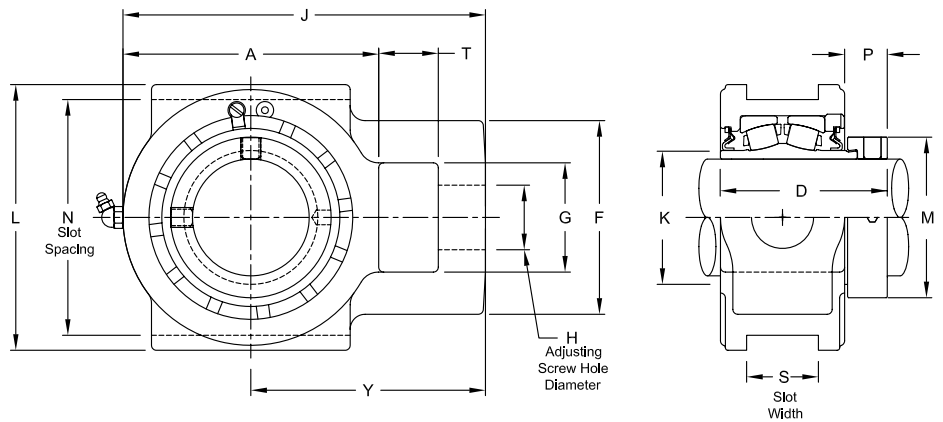
Interchange: QMTU



Photo Shows a Spherical Roller Bearing Take-up Unit

Product Features

- Corrosion-resistant powder coating
- Cast iron housing
- Misalignment capabilities - total of 4°
- Broad range of sealing options
- Factory set clearance & lubrication
- Precision ground & superfinished raceways
- Hardened eccentric locking collar
- Field interchangeable seals
- See Features and Benefits for additional info on pages 10 - 13.



Bearing Dimensions

Size Code	Shaft Diameter	Part Number	H Adjusting Screw Hole Diameter	N Slot Spacing	S Slot Width	A	D	F	G	J	K	L	M	P	T	Y	Allowable Working Load (2/3 Yield Strength)	Approx. Weight
4	1 7/16	ZT43107	7/8	3 1/2	17/32	3 3/4	2 59/64	2 7/16	1 7/16	5 1/16	1 3/4	4 1/8	2 5/16	25/32	5/8	3 1/4	7,600	6.60
5	1 11/16	ZT53111	1 1/8	4	11/16	4 1/4	3 3/16	3 5/16	1 15/16	5 15/16	2 1/32	4 3/4	2 5/8	3/4	3/4	3 13/16	12,300	10.00
6	1 15/16	ZT63115	1 1/8	4	11/16	4 1/2	3 9/32	3 5/16	1 15/16	6 3/16	2 5/16	4 1/2	2 3/4	27/32	3/4	3 15/16	12,300	13.50
7	2 3/16	ZT73203	1 3/8	4 1/2	13/16	5	3 1/2	3 7/8	2 1/4	7 1/8	2 5/8	5 1/4	3 1/4	31/32	1 1/4	4 5/8	13,500	13.90
8	2 7/16	ZT83207	1 3/8	5 1/8	1 1/16	5 1/2	3 21/32	4 1/4	2 1/4	7 13/16	2 29/32	5 7/8	3 9/16	1 1/64	1 1/4	5 1/16	20,900	18.40
	2 1/2	ZT83208																18.30
9	2 11/16	ZT93211	1 5/8	5 15/16	1 13/16	6 7/16	4 13/64	4 7/8	2 3/4	9 1/8	3 3/8	6 11/16	4 1/16	1 1/64	1 1/2	5 15/16	26,800	29.00
	2 15/16	ZT93215																28.00
10	3 7/16	ZT103307	1 7/8	6 13/16	1 13/16	7 3/8	4 37/64	5 3/8	2 7/8	10	3 31/32	7 13/16	4 15/16	1 9/64	1 5/8	6 5/16	27,300	41.10
	3 1/2	ZT103308																40.90
11	3 15/16	ZT113315	2 1/8	8 5/8	2 1/16	8 7/8	5 3/16	5 3/8	3 3/8	12 3/8	4 9/16	9 7/16	5 5/8	1 1/16	2 1/8	7 11/16	45,400	68.00

Additional Notes

- Please call 1-866-REXNORD for availability
- Lubrication fitting tap size, 1/8" PT
- Bore size = nominal shaft size +.001 in/-.000 in (+0.03 mm/-0.00 mm)
- Take-up slot spacing & width tolerance, +.005 in/-.015 in (+0.13 mm/-0.38 mm)
- Seals - to specify G, K or M seal, replace "Z" in part number with "G", "K" or "M"
- Auxiliary end caps - available in all size codes
- Allowable working load is 2/3 yield strength

For the Selection Guide, Load Ratings and Speed Limits, see the Spherical Roller Bearings Engineering section on pages 17 - 29.

Note: Dimensions subject to change. Certified dimensions of ordered material furnished on request.

ZT5000

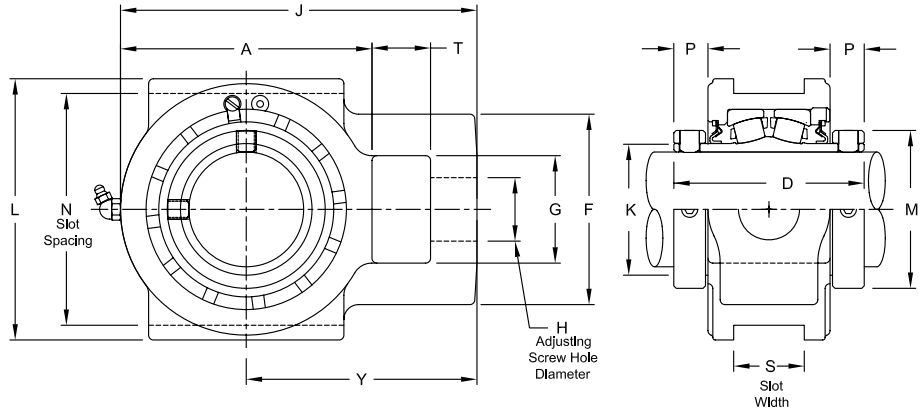
Interchange: QAATU



Photo Shows a Spherical Roller Bearing Take-up Unit

Product Features

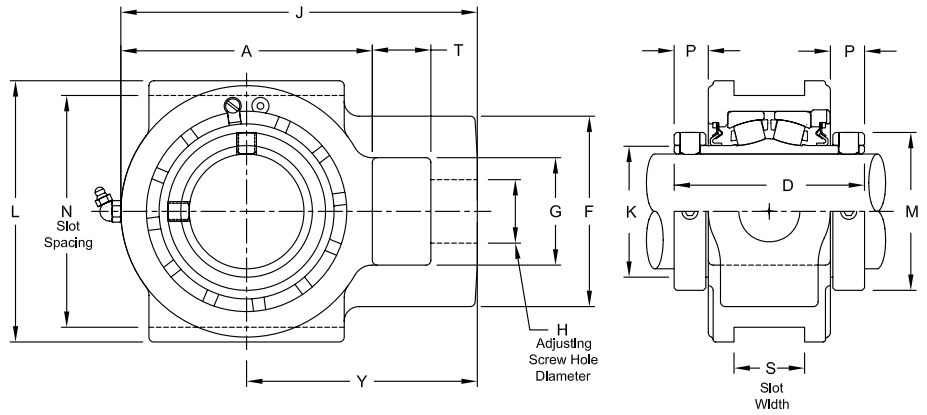
- Corrosion-resistant powder coating
- Cast iron housing
- Misalignment capabilities - total of 4°
- Broad range of sealing options
- Factory set clearance & lubrication
- Precision ground & superfinished raceways
- Two hardened spring locking collars
- Field interchangeable seals
- See Features and Benefits for additional info on pages 10 - 13.



Bearing Dimensions

Size Code	Shaft Diameter	Part Number	H Adjusting Screw Hole Diameter	N Slot Spacing	S Slot Width	A	D	F	G	J	K	L	M	P	T	Y	Allowable Working Load	Approx. Weight															
4	1 7/16	ZT45107	7/8	3 1/2	17/32	3 3/4	3 9/16	2 7/16	1 7/16	5 1/16	1 3/4	4 1/8	2 5/16	11/16	5/8	3 1/4	7,600	6.80															
	35.00	ZT45035MM	22.23	88.900	13.490	95.25	90.49	61.91	36.51	128.59	44.450	104.78	58.74	17.46	15.88	82.55	3,447	3.10															
5	1 1/2	ZT55108	1 1/8	4	11/16	4 1/4	3 13/16	3 5/16	1 3/4	5 15/16	2 1/32	4 3/4	2 19/32	11/16	15/16	3 13/16	12,300	10.90															
	1 11/16	ZT55111																10.20															
	40.00	ZT55040MM	28.58	101.600	17.460	107.95	96.84	84.14	44.45	150.81	51.590	120.65	65.88	17.46	23.81	96.84	5,580	4.90															
	45.00	ZT55045MM																4.60															
6	1 15/16	ZT65115	1 1/8	4	11/16	4 1/2	3 13/16	3 5/16	1 15/16	6 3/16	2 5/16	4 1/2	2 7/8	11/16	3/4	3 15/16	12,300	10.80															
	50.00	ZT65050MM	28.58	101.600	17.460	114.30	96.84	84.14	49.21	157.16	58.740	114.30	73.03	17.46	19.05	100.01	5,580	4.90															
7	2	ZT75200	1 3/8	4 1/2	13/16	5	4 1/8	3 7/8	2 1/4	7 1/8	2 5/8	5 1/4	3 1/4	13/16	1 1/4	4 5/8	13,500	15.20															
	2 3/16	ZT75203																14.50															
	55.00	ZT75055MM	34.93	114.300	20.640	127.00	104.78	98.43	57.15	180.98	66.680	133.35	82.60	20.64	31.75	117.48	6,120	6.60															
8	2 7/16	ZT85207	1 3/8	5 1/8	1 1/16	5 1/2	4 3/8	4 1/4	2 1/4	7 13/16	2 29/32	5 7/8	3 9/16	7/8	1 1/4	5 1/16	20,900	19.40															
	60.00	ZT85060MM	34.93	130.180	26.990	139.70	111.13	107.95	57.15	198.44	73.810	149.23	90.50	22.23	31.75	128.59	9,480	8.80															
	65.00	ZT85065MM																8.50															
9	2 1/2	ZT95208	1 5/8	5 15/16	1 13/16	6 7/16	4 7/8	4 7/8	2 3/4	9 1/8	3 3/8	6 11/16	4 1/16	7/8	1 1/2	5 15/16	26,800	31.50															
	2 11/16	ZT95211																30.10															
	2 15/16	ZT95215																28.80															
	70.00	ZT95070MM																41.28	150.810	46.040	163.51	123.83	123.83	69.85	231.78	85.730	169.86	103.20	22.23	38.10	150.81	12,150	13.60
	75.00	ZT95075MM																															13.00
10	3 3/16	ZT105303	1 7/8	6 13/16	1 13/16	7 3/8	5 5/16	5 3/8	2 7/8	10	3 31/32	7 13/16	4 29/32	15/16	1 5/8	6 5/16	27,300	44.00															
	3 7/16	ZT105307																42.00															
	80.00	ZT105080MM																47.63	173.040	46.040	187.33	134.94	136.53	73.03	254.00	100.810	198.44	124.62	23.81	41.28	160.34	12,380	20.00
	85.00	ZT105085MM																															19.00
	90.00	ZT105090MM																															18.00
11	3 11/16	ZT115311	2 1/8	8 5/8	2 1/16	8 7/8	6 1/8	5 3/8	3 3/8	12 1/8	4 9/16	9 7/16	5 5/8	1 1/32	2 1/8	7 11/16	45,400	75.00															
	3 15/16	ZT115315																72.00															
	4	ZT115400																71.00															
	100.00	ZT115100MM																53.98	219.080	52.390	225.43	155.58	136.53	85.73	307.98	115.890	239.71	142.90	26.19	53.98	195.26	20,600	33.00
12	4 3/16	ZT125403Y	2 1/8	9 1/2	2 1/16	9 13/16	6 1/4	6 3/8	3 3/8	13 7/16	5 1/32	10 3/8	6 3/16	1 1/16	2 1/8	8 11/16	53,700	94.00															
	4 7/16	ZT125407Y																91.00															
	4 1/2	ZT125408Y																90.00															
	110.00	ZT125110MM																53.98	241.300	52.390	249.24	158.75	161.93	85.73	341.31	127.790	263.53	157.16	26.99	53.98	220.66	24,350	41.00
	115.00	ZT125115MM																															40.00
13	4 15/16	ZT135415	2 3/8	10 1/4	2 1/16	10 7/8	7 7/8	6 1/4	3 3/4	14 7/8	5 3/4	11 1/4	7 1/16	1 5/32	2 1/2	9 7/16	68,000	130.00															

Continued...



Continued...

Bearing Dimensions

Size Code	Shaft Diameter	Part Number	H Adjusting Screw Hole Diameter	N Slot Spacing	S Slot Width	A	D	F	G	J	K	L	M	P	T	Y	Allowable Working Load	Approx. Weight
13	5	ZT135500	2 3/8	10 1/4	2 1/16	10 7/8	7 7/8	6 1/4	3 3/4	14 7/8	5 3/4	11 1/4	7 1/16	1 5/32	2 1/2	9 7/16	68,000	127.00
	125.00	ZT135125MM	60.33	260.350	52.390	276.23	200.03	158.75	95.25	377.83	146.050	285.75	179.39	29.37	63.50	239.71	30,800	59.00
	130.00	ZT135130MM																57.00
14	5 7/16	ZT145507	3 1/8	14 1/8	2 9/16	15 3/8	8	8	5	20 5/8	6 1/2	16	8 3/16	1 7/32	3 1/2	12 7/16	140,900	417.00
	140.00	ZT145140MM	79.38	358.780	65.090	390.53	203.20	203.20	127.00	523.88	165.100	406.40	207.96	30.96	88.90	315.91	63,900	189.00
15	5 15/16	ZT155515	3 1/8	14 1/8	2 9/16	15 3/8	8 1/8	8	5	20 5/8	7 13/64	16	8 5/8	1 5/32	3 1/2	12 15/16	140,900	426.00
	6	ZT155600																424.00
	150.00	ZT155150MM	79.38	358.780	65.090	390.53	206.38	203.20	127.00	523.88	182.960	406.40	219.08	29.37	88.90	328.61	63,900	193.00
	160.00	ZT155160MM																192.00
16	6 7/16	ZT165607	3 1/8	14 1/8	2 9/16	15 3/8	8 3/4	8	5	20 5/8	8 3/64	16	9 23/32	1 9/32	3 1/2	12 15/16	165,300	433.00
	6 15/16	ZT165615																428.00
	7	ZT165700																426.00
	180.00	ZT165180MM																79.38

Additional Notes

Please call 1-866-REXNORD for availability
 Metric bore sizes available, see Rex Interchangeability guide
 Lubrication fitting tap size: for size code 4 thru 11, 1/8" PT: for all other size codes, 1/4" PT
 Bore size = nominal shaft size +.001 in/-.000 in (+0.03 mm/-0.00 mm)
 Take-up slot spacing & width tolerance, +.005 in/-.015 in (+0.13 mm/-0.38 mm)
 Seals - to specify G, K or M seal, replace "Z" in part number with "G", "K" or "M"
 "K" seals only available in size codes 4 thru 11

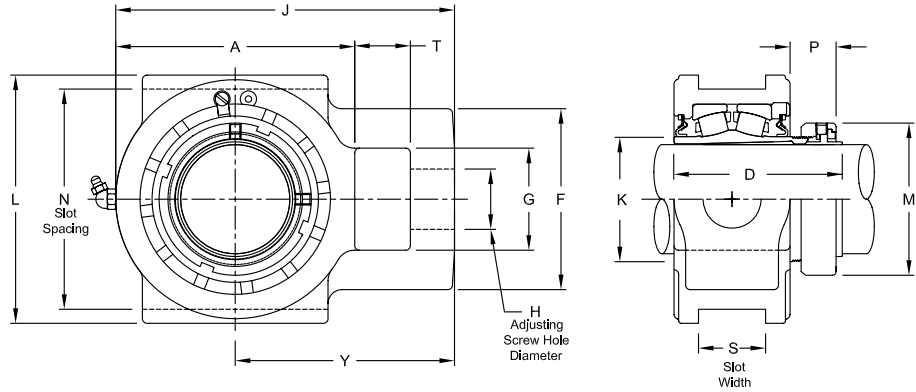
"G" seals only available in size codes 4 thru 13
 Auxiliary end caps - available in all size codes
 Allowable working load is 2/3 yield strength
 For the Selection Guide, Load Ratings and Speed Limits, see the Spherical Roller Bearings Engineering section on pages 17 - 29.
 Note: Dimensions subject to change. Certified dimensions of ordered material furnished on request.

ZT6000

Interchange: WSTUIP, TBR-N, USTU5000A, QVVTU



Photo Shows a Spherical Roller Bearing Take-up Unit



Product Features

- Positive locking system
- Tapered adapter sleeve
- Corrosion-resistant powder coating
- Cast iron housing
- Misalignment capabilities - total of 4°
- Broad range of sealing options
- Factory set clearance & lubrication
- Precision ground & superfinished raceways
- See Features and Benefits for additional info on pages 10 - 13.

Bearing Dimensions

Size Code	Shaft Diameter	Part Number	H Adjusting Screw Hole Diameter	N Slot Spacing	S Slot Width	A	D	F	G	J	K	L	M	P	T	Y	Allowable Working Load	Approx. Weight															
4	1 7/16	ZT46107	7/8	3 1/2	17/32	3 3/4	3 21/64	2 7/16	1 7/16	5 1/16	1 3/4	4 1/8	2 25/64	1 9/64	5/8	3 1/4	7,600	6.40															
	35.00	ZT46035MM	22.23	88.900	13.494	95.25	84.53	61.91	36.51	128.59	44.45	104.78	60.72	28.97	15.88	82.55	3,450	2.90															
5	1 11/16	ZT56111	1 1/8	4	11/16	4 1/4	3 47/64	3 5/16	1 3/4	5 1/16	2 1/32	4 3/4	2 41/64	1 9/32	15/16	3 13/16	12,300	9.80															
	40.00	ZT56040MM	28.58	101.600	17.460	107.95	94.85	84.14	44.45	128.59	51.59	120.65	67.07	32.54	23.81	96.84	5,580	4.40															
6	1 15/16	ZT66115	1 1/8	4	11/16	4 1/2	3 41/64	3 5/16	1 15/16	6 3/16	2 5/16	4 1/2	2 55/64	1 1/8	3/4	3 15/16	12,300	10.80															
	45.00	ZT66045MM	28.58	101.600	17.460	114.30	92.47	84.14	49.21	157.16	58.740	114.30	72.63	28.58	19.05	100.01	5,580	4.60															
7	2 3/16	ZT76203	1 3/8	4 1/2	13/16	5	3 11/16	3 7/8	2 1/4	7 1/8	2 5/8	5 1/4	3 15/64	1 5/32	1 1/4	4 5/8	13,500	15.20															
	50.00	ZT76050MM	34.93	114.300	20.640	127.00	93.66	98.43	57.15	180.98	66.680	133.35	82.15	29.37	31.75	117.48	6,120	6.60															
	55.00	ZT76055MM																															
8	2 3/8	ZT86206	1 3/8	5 1/8	1 1/16	5 1/2	4 1/16	4 1/4	2 1/4	7 13/16	2 29/32	5 7/8	3 19/32	1 27/64	1 1/4	5 1/16	20,900	19.90															
	2 7/16	ZT86207																19.40															
	60.00	ZT86060MM	34.93	130.180	26.990	139.70	103.19	107.95	57.15	198.44	73.810	149.23	91.28	36.12	31.75	128.59	9,480	8.80															
9	2 11/16	ZT96211	1 5/8	5 15/16	1 13/16	6 7/16	4 7/32	4 7/8	2 3/4	9 1/8	3 3/8	6 11/16	4 3/32	1 25/64	1 1/2	5 15/16	26,800	31.50															
	2 3/4	ZT96212																30.10															
	2 15/16	ZT96215																28.80															
	65.00	ZT96065MM																41.28	150.810	46.040	163.51	115.09	123.83	69.85	231.78	85.730	169.86	103.98	35.32	38.10	150.81	12,150	13.60
	70.00	ZT96070MM																															13.00
75.00	ZT96075MM	13.00																															
10	3 3/16	ZT106303	1 7/8	6 13/16	1 13/16	7 3/8	5 1/32	5 3/8	2 7/8	10	3 31/32	7 13/16	4 61/64	1 19/32	1 5/8	6 5/16	27,300	44.00															
	3 7/16	ZT106307																42.00															
	80.00	ZT106080MM																47.63	173.040	46.040	187.33	127.79	136.53	73.03	254.00	100.810	198.44	125.81	40.48	41.28	160.34	12,380	20.00
85.00	ZT106085MM	20.00																															
11	3 11/16	ZT116311	2 1/8	8 5/8	2 1/16	8 7/8	5 25/32	5 3/8	3 3/8	12 1/8	4 9/16	9 7/16	5 43/64	1 47/64	2 1/8	7 11/16	45,400	75.00															
	3 15/16	ZT116315																72.00															
	90.00	ZT116090MM																53.98	219.080	52.390	225.43	146.84	136.53	85.73	307.98	115.890	239.71	144.07	44.05	53.98	195.26	20,600	33.00
100.00	ZT116100MM	33.00																															
12	4 3/16	ZT126403Y	2 1/8	9 1/2	2 1/16	9 13/16	6 1/4	6 3/8	3 3/8	13 7/16	5 1/32	10 3/8	6 1/16	1 7/8	2 1/8	8 11/16	53,700	94.00															
	4 7/16	ZT126407Y																91.00															
	110.00	ZT126110MM																53.98	241.300	52.390	249.24	158.75	161.93	85.73	341.31	127.790	263.53	153.99	47.63	53.98	220.66	24,350	41.00
13	4 15/16	ZT136415	2 3/8	10 1/4	2 1/16	10 7/8	7 15/16	6 1/4	3 3/4	14 7/8	5 3/4	11 1/4	6 61/64	2 1/4	2 1/2	9 7/16	68,000	130.00															
	115.00	ZT136115MM	60.33	260.350	52.390	276.23	201.61	158.75	95.25	377.83	146.050	285.75	176.61	57.15	63.50	239.71	30,800	59.00															
125.00	ZT136125MM	59.00																															
14	5 1/16	ZT146507	3 1/8	14 1/8	2 9/16	15 3/8	8 49/64	8	5	20 5/8	6 1/2	16	8 1/64	3 3/64	3 1/2	12 7/16	140,900	417.00															
15	5 15/16	ZT156515	3 1/8	14 1/8	2 9/16	15 3/8	9 19/64	8	5	20 5/8	7 13/64	16	8 21/32	3 7/16	3 1/2	12 15/16	140,900	426.00															
	6 7/16	ZT166607	3 1/8	14 1/8	2 9/16	15 3/8	10	8	5	20 5/8	8 3/64	16	9 3/4	3 43/64	3 1/2	12 15/16	165,300	433.00															
6 1/2	ZT166608	428.00																															
6 15/16	ZT166615	428.00																															

Additional Notes

- Please call 1-866-REXNORD for availability
- Lubrication fitting tap size: for size code 4 thru 11, 1/8" PT; for all other size codes, 1/4" PT
- Take-up slot spacing & width tolerance, ±.005 in/-0.015 in (+0.13 mm/-0.38 mm)
- Seals - to specify G, K or M seal, replace "Z" in part number with "G", "K" or "M"
- "G" seal only available in size codes 4 thru 13
- "K" seals only available in size codes 4 thru 11

- Auxiliary end caps - available in all size codes
- Allowable working load is 2/3 yield strength
- For the Selection Guide, Load Ratings and Speed Limits, see the Spherical Roller Bearings Engineering section on pages 17 - 29.
- Note: Dimensions subject to change. Certified dimensions of ordered material furnished on request.

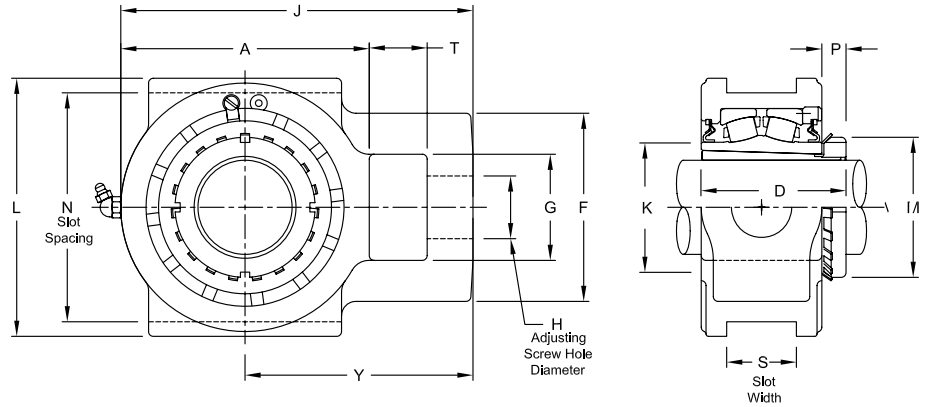
ZT9000



Photo Shows a Spherical Roller Bearing Take-up Unit

Product Features

- Corrosion-resistant powder coating
- Cast iron housing
- Misalignment capabilities - total of 4°
- Broad range of sealing options
- Factory set clearance & lubrication
- Precision ground & superfinished raceways
- Enhanced life mounting style
- Field interchangeable seals
- See Features and Benefits for additional info on pages 10 - 13.



Bearing Dimensions

Size Code	Shaft Diameter	Part Number	H Adjusting Screw Hole Diameter	N Slot Spacing	S Slot Width	A	D	F	G	J	K	L	M	P	T	Y	Allowable Working Load	Approx. Weight
7	1 15/16	ZT79115	1 3/8	4 1/2	13/16	5	3 5/32	3 7/8	2 1/4	7 1/8	2 5/8	5 1/4	2 31/32	19/32	1 1/4	4 5/8	13,500	13.70
	2	ZT79200																13.60
	45.00	ZT79045MM	34.93	114.300	20.640	127.00	80.17	98.43	57.15	180.98	66.680	133.35	75.40	15.08	31.75	117.48	6,120	6.30
	50.00	ZT79050MM																6.10
8	2 3/16	ZT89203	1 3/8	5 1/8	1 1/16	5 1/2	3 11/32	4 1/4	2 1/4	7 13/16	2 29/32	5 7/8	3 3/8	23/32	1 1/4	5 1/16	20,900	18.70
	55.00	ZT89055MM	34.93	130.180	26.990	139.70	84.93	107.95	57.15	198.44	73.810	149.23	85.73	18.26	31.75	128.59	9,480	8.50
9	2 7/16	ZT99207	1 5/8	5 15/16	1 13/16	6 7/16	3 3/4	4 7/8	2 3/4	9 1/8	3 3/8	6 11/16	3 5/8	5/8	1 1/2	5 15/16	26,800	29.10
	2 1/2	ZT99208																28.70
10	2 11/16	ZT109211	1 7/8	6 13/16	1 13/16	7 3/8	4 1/4	5 3/8	2 7/8	10	3 31/32	7 13/16	4 13/32	13/16	1 5/8	6 5/16	27,300	42.60
	2 15/16	ZT109215																41.40
	3	ZT109300																40.70
	75.00	ZT109075MM	47.63	173.040	46.040	187.33	107.95	136.53	73.03	307.98	115.890	239.71	131.76	23.81	53.98	195.26	20,600	34.00
11	3 3/16	ZT119303	2 1/8	8 5/8	2 1/16	8 7/8	5	5 3/8	3 3/8	12 1/8	4 9/16	9 7/16	5 3/16	15/16	2 1/8	7 11/16	45,400	75.50
	3 7/16	ZT119307																73.50
	80.00	ZT119080MM	53.98	219.080	52.390	225.43	127.00	136.53	85.73	307.98	115.890	239.71	131.76	23.81	53.98	195.26	20,600	34.00
12	3 11/16	ZT129311Y	2 1/8	9 1/2	2 1/16	9 13/16	5 17/32	6 3/8	3 3/8	13 7/16	5 1/32	10 3/8	5 23/32	1 1/32	2 1/8	8 11/16	53,700	91.20
	3 15/16	ZT129315Y																88.90
	4	ZT129400Y																88.40
	100.00	ZT129100MM	53.98	241.300	52.390	249.24	140.49	161.93	85.73	341.31	127.790	263.53	145.26	26.19	53.98	220.66	24,350	41.30
13	4 3/16	ZT139403	2 3/8	10 1/4	2 1/16	10 7/8	6 3/4	6 1/4	3 3/4	14 7/8	5 3/4	11 1/4	6 1/8	1 1/8	2 1/2	9 7/16	68,000	130.00
	4 7/16	ZT139407																128.00
14	4 15/16	ZT149415	3 1/8	14 1/8	2 9/16	15 3/8	7 1/16	8	5	20 5/8	6 1/2	16	7 3/32	1 1/8	3 1/2	12 7/16	140,900	411.00
	5	ZT149500																410.00
15	5 7/16	ZT159507	3 1/8	14 1/8	2 9/16	15 3/8	7 5/16	8	5	20 5/8	7 13/64	16	8 1/16	1 5/16	3 1/2	12 15/16	140,900	421.00
	5 15/16	ZT169515																428.00
	16	6	ZT169600	3 1/8	14 1/8	2 9/16	15 3/8	7 3/4	8	5	20 5/8	8 3/64	16	9 1/16	1 11/16	3 1/2	12 15/16	165,300
6 7/16		ZT169607	420.00															

Additional Notes

- Please call 1-866-REXNORD for availability
- Lubrication fitting tap size: for size code 7 thru 11, 1/8" PT; for all other size codes, 1/4" PT
- Take-up slot spacing & width tolerance, +.005 in./-.015 in (+0.13 mm/-0.38 mm)
- Seals - to specify G, K or M seal, replace "Z" in part number with "G", "K" or "M"
- "G" seals only available in size codes 7 thru 13
- "K" seals only available in size codes 7 thru 11
- Auxiliary end caps - available in all size codes

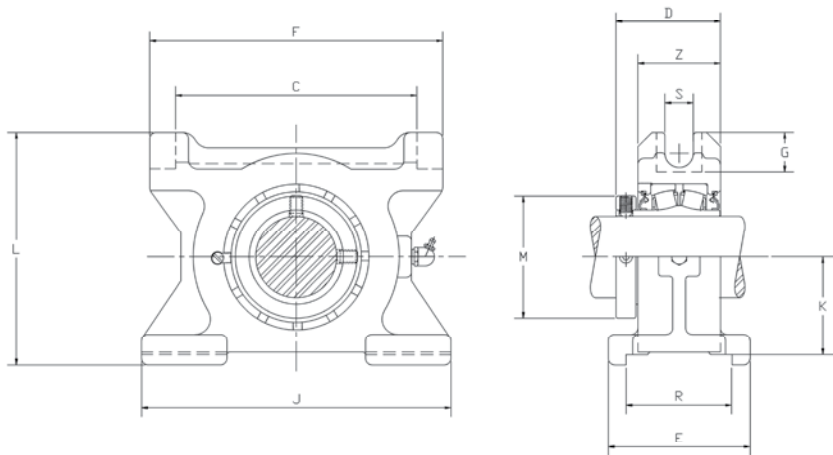
- Allowable working load is 2/3 yield strength
- For the Selection Guide, Load Ratings and Speed Limits, see the Spherical Roller Bearings Engineering section on pages 17 - 29.
- Note: Dimensions subject to change. Certified dimensions of ordered material furnished on request.

ZN2000



Product Features

- Corrosion-resistant powder coating
- Cast iron housing
- Misalignment capabilities - total of 4°
- Broad range of sealing options
- Factory set clearance & lubrication
- Precision ground & superfinished raceways
- Hardened spring locking collar
- Field interchangeable seals
- See Features and Benefits for additional info on pages 10 - 13.

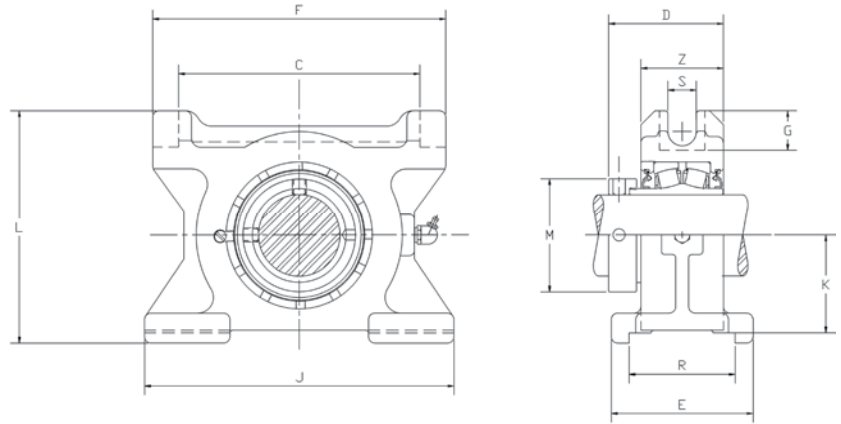


Bearing Dimensions

Size Code	Shaft Diameter	Part Number	C	D	E	F	G	J	K	L	M	R	S	Z	Approx. Weight
6	1 ¹⁵ / ₁₆	ZN62115	5 ⁵ / ₁₆	3 ¹ / ₈	3 ¹³ / ₁₆	6 ⁹ / ₁₆	1 ³ / ₈	6 ⁹ / ₁₆	2.188	5 ⁷ / ₁₆	2 ¹⁵ / ₁₆	3.078	0.88	2 ⁷ / ₁₆	13.00
	2	ZN62200													
	50MM	ZN62050MM													
7	2 ³ / ₁₆	ZN72203	6 ⁵ / ₁₆	3 ⁵ / ₁₆	3 ¹³ / ₁₆	7 ⁹ / ₁₆	1 ⁵ / ₁₆	7 ⁹ / ₁₆	2.438	5 ¹³ / ₁₆	3 ¹ / ₄	3.078	0.88	2 ⁹ / ₁₆	17.30
	2 ¹ / ₄	ZN72204													
	55MM	ZN72055MM													
8	2 ³ / ₈	ZN82206	7	3 ¹ / ₂	3 ¹⁵ / ₁₆	8 ⁹ / ₁₆	1 ¹⁵ / ₃₂	8 ⁹ / ₁₆	2.625	6 ³ / ₈	3 ⁹ / ₁₆	3.078	1	2 ⁵ / ₈	21.85
	2 ⁷ / ₁₆	ZN82207													
	2 ¹ / ₂	ZN82208													
	60MM	ZN82060MM													
9	2 ¹¹ / ₁₆	ZN92211	6 ⁵¹ / ₆₄	4	5 ¹ / ₁₆	8 ⁵ / ₈	1 ¹¹ / ₁₆	8 ⁵ / ₈	3.125	7 ¹ / ₂	4 ¹ / ₁₆	4.078	1.12	3 ¹ / ₈	29.80
	2 ¹⁵ / ₁₆	ZN92215													
	3	ZN92300													
	70MM	ZN92070MM													
10	3 ³ / ₁₆	ZN102303	8 ⁵ / ₁₆	4 ³ / ₈	5 ³ / ₁₆	10 ⁵ / ₁₆	1 ²⁹ / ₃₂	10 ⁵ / ₁₆	3.625	8 ¹¹ / ₁₆	4 ¹⁵ / ₁₆	4.078	1.24	3 ⁷ / ₁₆	44.00
	3 ⁷ / ₁₆	ZN102307													
	3 ¹ / ₂	ZN102308													
	80MM	ZN102080MM													
11	3 ¹¹ / ₁₆	ZN112311	10 ³ / ₈	5 ¹ / ₁₆	6 ¹¹ / ₃₂	12 ¹ / ₂	2 ³ / ₁₆	12 ¹ / ₂	4.75	11 ³ / ₁₆	5 ⁵ / ₈	5.14	1.38	4 ¹ / ₈	83.00
	3 ¹⁵ / ₁₆	ZN112315													
	4	ZN112400													
	100MM	ZN112100MM	263.65	128.59	161.13	317.50	55.63	317.50	120.65	284.23	142.90	130.56	35.05	104.90	37.6

Additional Notes

- Please call 1-866-REXNORD for availability
- Lubrication fitting tap size: 1/8 in NPT
- Bore size = nominal shaft size +.001 in/-.000 in
- Seals - To specify G, K or M seal, replace "Z" in the part number with "G", "K" or "M"
- For the Selection Guide, Load Ratings and Speed Limits, see the Spherical Roller Bearings Engineering section on pages 17 - 29.
- Note: Dimensions subject to change. Certified dimensions of ordered material furnished on request.



Product Features

- Corrosion-resitant powder coating
- Cast iron housing
- Misalignment capabilities - total of 4°
- Broad range of sealing options
- Factory set clearance & lubrication
- Precision ground & superfinished raceways
- Eccentric locking collar
- Field interchangeable seals
- See Features and Benefits for additional info on pages 10 - 13.

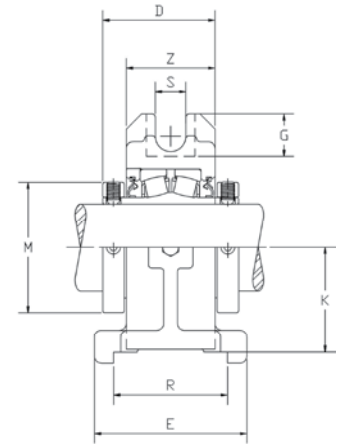
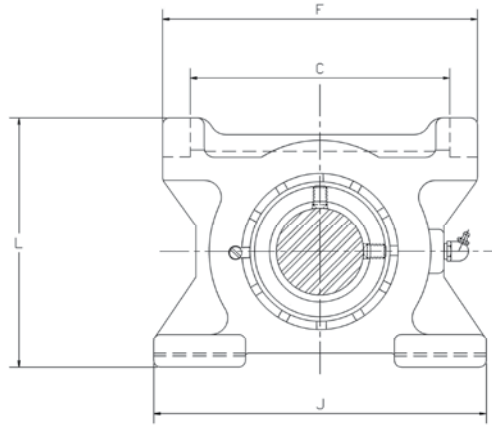
Bearing Dimensions

Size Code	Shaft Diameter	Part Number	C	D	E	F	G	J	K	L	M	R	S	Z	Approx. Weight
6	1 15/16	ZN63115	5 5/16	3 9/32	3 13/16	6 9/16	1 3/8	6 9/16	2.188	5 7/16	2 3/4	3.078	0.88	2 7/16	13.00
7	2 3/16	ZN73203	6 5/16	3 1/2	3 13/16	7 9/16	1 5/16	7 9/16	2.438	5 13/16	3 1/4	3.078	0.88	2 9/16	17.30
8	2 7/16	ZN83207	7	3 21/32	3 15/16	8 9/16	1 15/32	8 9/16	2.625	6 3/8	3 9/16	3.078	1	2 5/8	21.40
	2 1/2	ZN83208													
9	2 11/16	ZN93211	6 51/64	4 13/64	5 1/16	8 5/8	1 11/16	8 5/8	3.125	7 1/2	4 1/16	4.078	1.12	3 1/8	29.80
	2 15/16	ZN93215													
10	3 7/16	ZN103307	8 5/16	4 37/64	5 3/16	10 5/16	1 29/32	10 5/16	3.625	8 11/16	4 15/16	4.078	1.24	3 7/16	44.00
	3 1/2	ZN103308													
11	3 15/16	ZN113315	10 3/8	5 3/16	6 11/32	12 1/2	2 3/16	12 1/2	4.75	11 3/16	5 5/8	5.14	1.38	4 1/8	83.00

Additional Notes

- Please call 1-866-REXNORD for availability
- Lubrication fitting tap size: 1/8 in NPT
- Bore size = nominal shaft size +.001 in/- .000 in
- Seals - To specify G, K or M seal, replae "Z" in the part number with "G", "K" or "M"
- For the Selection Guide, Load Ratings and Speed Limits, see the Spherical Roller Bearings Engineering section on pages 17 - 29.
- Note: Dimensions subject to change. Certified dimensions of ordered material furnished on request.

ZN5000



Product Features

- Corrosion-resistant powder coating
 - Cast iron housing
 - Misalignment capabilities - total of 4°
 - Broad range of sealing options
 - Factory set clearance & lubrication
 - Precision ground & superfinished raceways
 - Two hardened spring locking collars
 - Field interchangeable seals
- See Features and Benefits for additional info on pages 10 - 13.

Bearing Dimensions

Size Code	Shaft Diameter	Part Number	C	D	E	F	G	J	K	L	M	R	S	Z	Approx. Weight
6	1 15/16	ZN65115	5 5/16	3 13/16	3 13/16	6 9/16	1 3/8	6 9/16	2.188	5 7/16	2 15/16	3.078	0.88	2 7/16	13.60
	50MM	ZN65050MM	134.87	96.84	96.77	166.62	35.05	166.62	55.58	138.18	73.03	78.18	22.35	61.98	6.2
7	2	ZN75200	6 5/16	4 1/8	3 13/16	7 9/16	1 5/16	7 9/16	2.438	5 13/16	3 1/4	3.078	0.88	2 9/16	18.40
	2 3/16	ZN75203													
	55MM	ZN75055MM													
8	2 7/16	ZN85207	7	4 3/8	3 15/16	8 9/16	1 15/32	8 9/16	2.625	6 3/8	3 9/16	3.078	1	2 5/8	22.40
	60MM	ZN85060MM													
	65MM	ZN85065MM													
9	2 1/2	ZN95208	6 51/64	4 7/8	5 1/16	8 5/8	1 11/16	8 5/8	3.125	7 1/2	4 1/16	4.078	1.12	3 1/8	31.10
	2 11/16	ZN95211													
	2 15/16	ZN95215													
	70MM	ZN95070MM													
10	3 3/16	ZN105303	8 5/16	5 5/16	5 3/16	10 5/16	1 29/32	10 5/16	3.625	8 11/16	4 15/16	4.078	1.24	3 7/16	46.20
	3 7/16	ZN105307													
	80MM	ZN105080MM													
	85MM	ZN105085MM													
11	3 11/16	ZN115311	10 3/8	6 1/8	6 11/32	12 1/2	2 3/16	12 1/2	4.75	11 3/16	5 5/8	5.14	1.38	4 1/8	85.00
	3 15/16	ZN115315													
	4	ZN115400													
	100MM	ZN115100MM													

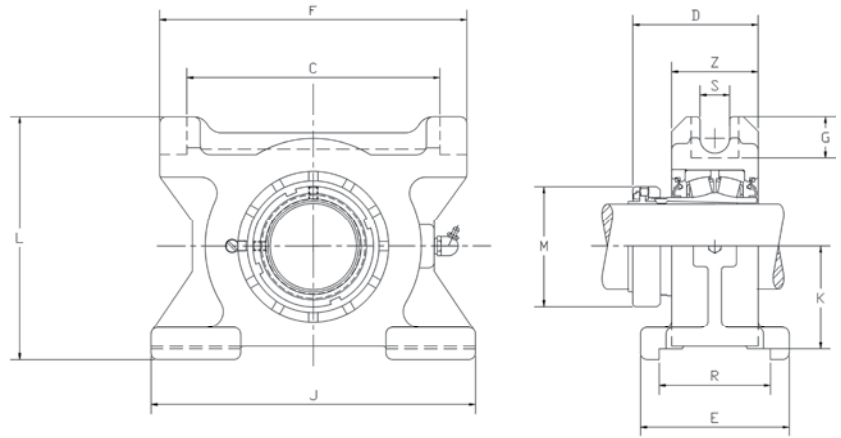
Additional Notes

- Please call 1-866-REXNORD for availability
- Lubrication fitting tap size: 1/8 in NPT
- Bore size = nominal shaft size +.001 in/-.000 in
- Seals - To specify G, K or M seal, replace "Z" in the part number with "G", "K" or "M"
- For the Selection Guide, Load Ratings and Speed Limits, see the Spherical Roller Bearings Engineering section on pages 17 - 29.
- Note: Dimensions subject to change. Certified dimensions of ordered material furnished on request.

Photo Available Soon

Product Features

- Positive locking system
- Tapered adapter sleeve
- Corrosion-resitant powder coating
- Cast iron housing
- Misalignment capabilities - total of 4°
- Broad range of sealing options
- Factory set clearance & lubrication
- Precision ground & superfinished raceways
- See Features and Benefits for additional info on pages 10 - 13.



Bearing Dimensions

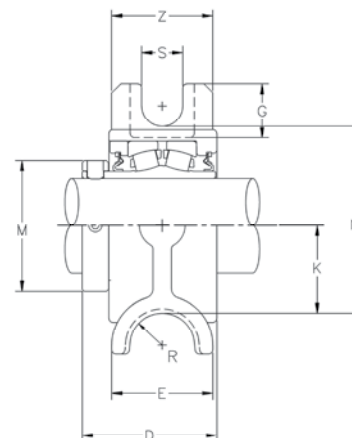
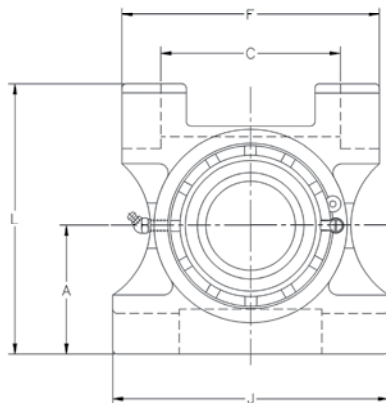
Size Code	Shaft Diameter	Part Number	C	D	E	F	G	J	K	L	M	R	S	Z	Approx. Weight
6	1 ¹⁵ / ₁₆	ZN66115	5 ⁵ / ₁₆	3 ⁴¹ / ₆₄	3 ¹³ / ₁₆	6 ⁹ / ₁₆	1 ³ / ₈	6 ⁹ / ₁₆	2.188	5 ⁷ / ₁₆	2 ⁵⁵ / ₆₄	3.078	0.88	2 ⁷ / ₁₆	13.00
	45MM	ZN66045MM	134.87	92.47	96.77	166.62	35.05	166.62	55.58	138.18	72.63	78.18	22.35	61.98	5.9
7	2 ³ / ₁₆	ZN76203	6 ⁵ / ₁₆	3 ¹¹ / ₁₆	3 ¹³¹ / ₁₆	7 ⁹ / ₁₆	1 ⁵ / ₁₆	7 ⁹ / ₁₆	2.438	5 ¹³ / ₁₆	3 ¹⁵ / ₆₄	3.078	0.88	2 ⁹ / ₁₆	17.30
	50MM	ZN76050MM	160.27	93.66	96.77	192.02	33.27	192.02	61.93	147.57	82.15	78.18	22.35	65.02	7.8
	55MM	ZN76055MM													
8	2 ³ / ₈	ZN86206	7	4 ¹ / ₁₆	3 ¹⁵ / ₁₆	8 ⁹ / ₁₆	1 ¹⁵ / ₃₂	8 ⁹ / ₁₆	2.625	6 ³ / ₈	3 ¹⁹ / ₃₂	3.078	1	2 ⁵ / ₈	21.85
	2 ⁷ / ₁₆	ZN86207													
	60MM	ZN86060MM	177.80	103.19	100.08	217.42	37.34	217.42	66.68	162.05	91.28	78.18	25.4	66.55	9.9
9	2 ¹¹ / ₁₆	ZN96211	6 ⁵¹ / ₆₄	4 ¹⁷ / ₃₂	5 ¹ / ₁₆	8 ⁵ / ₈	1 ¹¹ / ₁₆	8 ⁵ / ₈	3.125	7 ¹ / ₂	4 ³ / ₃₂	4.078	1.12	3 ¹ / ₈	29.80
	2 ³ / ₄	ZN96212													
	2 ¹⁵ / ₁₆	ZN96215													
	65MM	ZN96065MM													
	70MM	ZN96070MM													
	75MM	ZN96075MM	172.64	115.09	128.52	218.95	42.93	218.95	79.38	190.50	103.98	103.58	28.45	79.50	13.5
10	3 ³ / ₁₆	ZN106303	8 ⁵ / ₁₆	5 ¹ / ₃₂	5 ³ / ₁₆	10 ⁵ / ₁₆	1 ²⁹ / ₃₂	10 ⁵ / ₁₆	3.625	8 ¹¹ / ₁₆	4 ⁶¹ / ₆₄	4.078	1.24	3 ⁷ / ₁₆	44.00
	3 ⁷ / ₁₆	ZN106307													
	80MM	ZN106080MM													
	85MM	ZN106085MM													
			211.07	127.79	131.83	261.87	48.51	261.87	92.08	218.95	125.81	103.58	31.50	87.38	20.0
11	3 ¹¹ / ₁₆	ZN116311	10 ³ / ₈	5 ²⁵ / ₃₂	6 ¹¹ / ₃₂	12 ¹ / ₂	2 ³ / ₁₆	12 ¹ / ₂	4.75	11 ³ / ₁₆	5 ⁴³ / ₆₄	5.14	1.38	4 ¹ / ₈	83.00
	3 ¹⁵ / ₁₆	ZN116315													
	90MM	ZN116090MM													
	100MM	ZN116100MM													
			263.65	146.84	161.13	317.50	55.63	317.50	120.65	284.23	144.07	130.56	35.05	104.90	37.6

Additional Notes

- Please call 1-866-REXNORD for availability
- Lubrication fitting tap size: 1/8 in NPT
- Bore size = nominal shaft size +.001 in/- .000 in
- Seals - To specify G, K or M seal, replae "Z" in the part number with "G", "K" or "M"
- For the Selection Guide, Load Ratings and Speed Limits, see the Spherical Roller Bearings Engineering section on pages 17 - 29.
- Note: Dimensions subject to change. Certified dimensions of ordered material furnished on request.

ZETP2000**Interchange:** TPHUS2, TPE, USTA5000, ETTUTRB, QATP**Product Features**

- Corrosion-resistant powder coating
 - Cast iron Type E housing
 - Misalignment capabilities - total of 4°
 - Broad range of sealing options
 - Factory set clearance & lubrication
 - Precision ground & superfinished raceways
 - Hardened spring locking collar
 - Field interchangeable seals
- See Features and Benefits for additional info on pages 10 - 13.

**Bearing Dimensions**

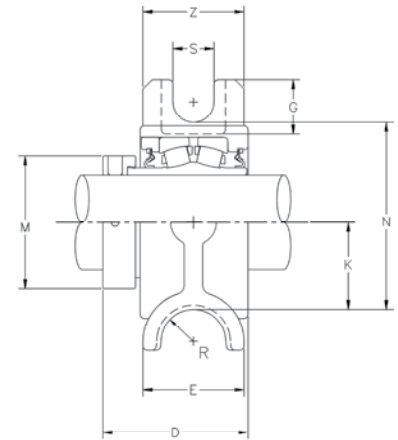
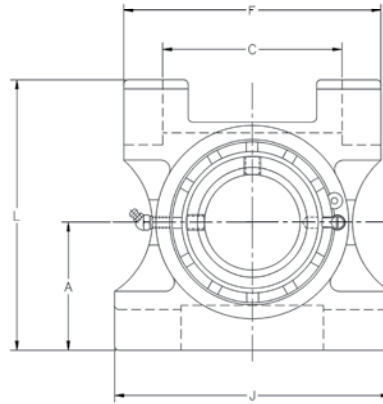
Size Code	Shaft Diameter	Part Number	A Base to Centerline Height	C	D	E	F	G	J	K	L	M	N	R	S	Z	Approx. Weight
6	1 ¹⁵ / ₁₆	ZETP62115	3 ⁷ / ₃₂	4 ¹ / ₂	3 ¹ / ₈	2 ³ / ₈	6	1 ³ / ₈	6 ¹ / ₂	2	6 ⁷ / ₁₆	2 ⁷ / ₈	4	1 ³ / ₁₆	1 ⁵ / ₁₆	2 ¹³ / ₃₂	15.0
	2	ZETP62200															
7	2 ³ / ₁₆	ZETP72203	3 ¹⁵ / ₃₂	5 ¹ / ₄	3 ⁵ / ₁₆	2 ⁷ / ₁₆	6 ³ / ₄	1 ¹³ / ₃₂	7	2 ¹ / ₄	6 ²⁹ / ₃₂	3 ¹ / ₄	4 ¹ / ₂	1 ³ / ₁₆	1 ⁵ / ₁₆	2 ⁵ / ₈	15.0
	2 ¹ / ₄	ZETP72204															
8	2 ³ / ₈	ZETP82206	3 ¹ / ₂	4 ⁷ / ₈	3 ¹ / ₂	2 ³ / ₄	7	1 ²⁵ / ₃₂	7 ¹ / ₂	2 ³ / ₈	7 ³ / ₈	3 ⁹ / ₁₆	4 ¹³ / ₁₆	7 ⁷ / ₈	1 ³ / ₃₂	2 ³ / ₄	21.0
	2 ⁷ / ₁₆	ZETP82207															
	2 ¹ / ₂	ZETP82208															
9	2 ¹¹ / ₁₆	ZETP92211	4 ⁵ / ₆₄	5 ⁷ / ₈	4	2 ³ / ₄	8	1 ¹³ / ₁₆	8 ¹ / ₂	2 ³¹ / ₃₂	8 ⁷ / ₁₆	4 ¹ / ₁₆	5 ¹³ / ₁₆	7 ⁷ / ₈	1 ³ / ₃₂	3 ⁵ / ₃₂	29.0
	2 ³ / ₄	ZETP92212															
	2 ¹⁵ / ₁₆	ZETP92215															
	3	ZETP92300															
10	3 ³ / ₁₆	ZETP102303	4 ¹ / ₂	6 ⁷ / ₁₆	4 ³ / ₈	2 ³ / ₄	8 ¹⁵ / ₁₆	2 ³ / ₆₄	9 ³ / ₈	3 ¹ / ₂	9 ¹ / ₂	4 ²⁹ / ₃₂	6 ³ / ₄	7 ⁷ / ₈	1 ³ / ₈	3 ⁷ / ₁₆	41.0
	3 ⁷ / ₁₆	ZETP102307															
	3 ¹ / ₂	ZETP102308															
11	3 ¹¹ / ₁₆	ZETP112311	5 ¹ / ₂	8	5 ¹ / ₁₆	3 ¹ / ₈	10 ¹ / ₂	2 ¹ / ₁₆	11	3 ¹⁵ / ₁₆	10 ¹⁵ / ₁₆	5 ⁵ / ₈	7 ²¹ / ₃₂	1 ⁵ / ₁₆	1 ³ / ₈	4	68.0
	3 ¹⁵ / ₁₆	ZETP112315															
	4	ZETP112400															

Additional Notes

- Please call 1-866-REXNORD for availability
- Lubrication fitting tap size: 1/8 in NPT
- Bore size = nominal shaft size +.001 in/-.000 in
- Seals - To specify G, K or M seal, replace "Z" in the part number with "G", "K" or "M"
- For the Selection Guide, Load Ratings and Speed Limits, see the Spherical Roller Bearings Engineering section on pages 17 - 29.
- Note: Dimensions subject to change. Certified dimensions of ordered material furnished on request.

ZETP3000

Interchange: QMTP



Product Features

- Corrosion-resistant powder coating
- Cast iron Type E housing
- Misalignment capabilities - total of 4°
- Broad range of sealing options
- Factory set clearance & lubrication
- Precision ground & superfinished raceways
- Eccentric locking collar
- Field interchangeable seals
- See Features and Benefits for additional info on pages 10 - 13.

Bearing Dimensions

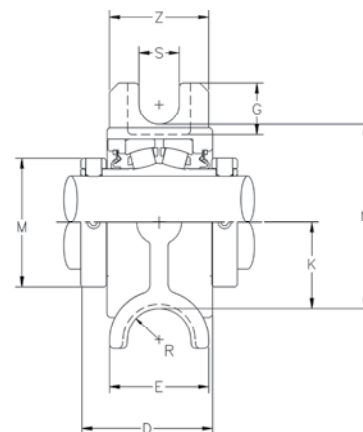
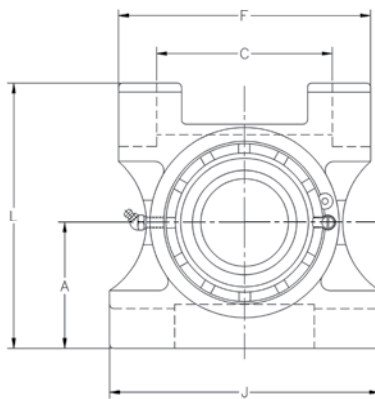
Size Code	Shaft Diameter	Part Number	A Base to Centerline Height	C	D	E	F	G	J	K	L	M	N	R	S	Z	Approx. Weight
6	1 15/16	ZETP63115	3 7/32	4 1/2	3 9/32	2 3/8	6	1 3/8	6 1/2	2	6 7/16	2 3/4	4	13/16	15/16	2 13/32	15.5
7	2 3/16	ZETP73203	3 15/32	5 1/4	3 1/2	2 7/16	6 3/4	1 13/32	7	2 1/4	6 29/32	3 1/4	4 1/2	13/16	15/16	2 5/8	15.5
8	2 7/16	ZETP83207	3 1/2	4 7/8	3 21/32	2 3/4	7	1 25/32	7 1/2	2 3/8	7 3/8	3 9/16	4 13/16	7/8	1 3/32	2 3/4	21.5
	2 1/2	ZETP83208															
9	2 11/16	ZETP93211	4 5/64	5 7/8	4 13/64	2 3/4	8	1 13/16	8 1/2	2 31/32	8 7/16	4 1/16	5 13/16	7/8	1 3/32	3 5/32	29.5
	2 15/16	ZETP93215															
10	3 7/16	ZETP103307	4 1/2	6 7/16	4 37/64	2 3/4	8 15/16	2 3/64	9 3/8	3 1/2	9 1/2	4 15/16	6 3/4	7/8	1 3/8	3 7/16	41.5
	3 1/2	ZETP103308															
11	3 15/16	ZETP113315	5 1/2	8	5 3/16	3 1/8	10 1/2	2 1/16	11	3 15/16	10 15/16	5 5/8	7 21/32	15/16	1 3/8	4	68.5

Additional Notes

- Please call 1-866-REXNORD for availability
- Lubrication fitting tap size: 1/8 in NPT
- Bore size = nominal shaft size +.001 in/-.000 in
- Seals - To specify G, K or M seal, replace "Z" in the part number with "G", "K" or "M"
- For the Selection Guide, Load Ratings and Speed Limits, see the Spherical Roller Bearings Engineering section on pages 17 - 29.
- Note: Dimensions subject to change. Certified dimensions of ordered material furnished on request.

ZETP5000**Interchange:** QAATP**Product Features**

- Corrosion-resistant powder coating
 - Cast iron Type E housing
 - Misalignment capabilities - total of 4°
 - Broad range of sealing options
 - Factory set clearance & lubrication
 - Precision ground & superfinished raceways
 - Two hardened spring locking collars
 - Field interchangeable seals
- See Features and Benefits for additional info on pages 10 - 13.

**Bearing Dimensions**

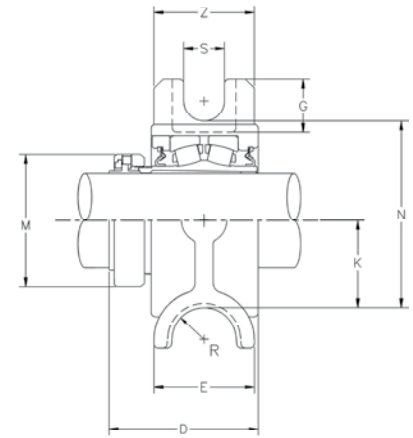
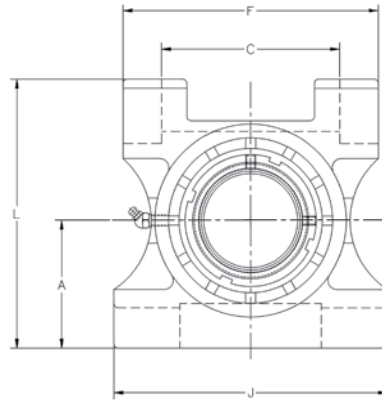
Size Code	Shaft Diameter	Part Number	A Base to Centerline Height	C	D	E	F	G	J	K	L	M	N	R	S	Z	Approx. Weight	
6	1 ¹⁵ / ₁₆	ZETP65115	3 ⁷ / ₃₂	4 ¹ / ₂	3 ¹³ / ₁₆	2 ³ / ₈	6	1 ³ / ₈	6 ¹ / ₂	2	6 ⁷ / ₁₆	2 ⁷ / ₈	4	¹³ / ₁₆	¹⁵ / ₁₆	2 ¹³ / ₃₂	15.6	
7	2	ZETP75200	3 ¹⁵ / ₃₂	5 ¹ / ₄	4 ¹ / ₈	2 ⁷ / ₁₆	6 ³ / ₄	1 ¹³ / ₃₂	7	2 ¹ / ₄	6 ²⁹ / ₃₂	3 ¹ / ₄	4 ¹ / ₂	¹³ / ₁₆	¹⁵ / ₁₆	2 ⁵ / ₈	16.2	
		2 ³ / ₁₆																ZETP75203
8	2 ⁷ / ₁₆	ZETP85207	3 ¹ / ₂	4 ⁷ / ₈	4 ³ / ₈	2 ³ / ₄	7	1 ²⁵ / ₃₂	7 ¹ / ₂	2 ³ / ₈	7 ³ / ₈	3 ⁹ / ₁₆	4 ¹³ / ₁₆	⁷ / ₈	1 ³ / ₃₂	2 ³ / ₄	22.0	
		2 ¹ / ₂																ZETP95208
9	2 ¹¹ / ₁₆	ZETP95211	4 ⁵ / ₆₄	5 ⁷ / ₈	4 ⁷ / ₈	2 ³ / ₄	8	1 ¹³ / ₁₆	8 ¹ / ₂	2 ³¹ / ₃₂	8 ⁷ / ₁₆	4 ¹ / ₁₆	5 ¹³ / ₁₆	⁷ / ₈	1 ³ / ₃₂	3 ⁵ / ₃₂	31.0	
		2 ¹⁵ / ₁₆																ZETP95215
10	3 ³ / ₁₆	ZETP105303	4 ¹ / ₂	6 ⁷ / ₁₆	5 ⁵ / ₁₆	2 ³ / ₄	8 ¹⁵ / ₁₆	2 ³ / ₆₄	9 ³ / ₈	3 ¹ / ₂	9 ¹ / ₂	4 ²⁹ / ₃₂	6 ³ / ₄	⁷ / ₈	1 ³ / ₈	3 ⁷ / ₁₆	44.0	
		3 ⁷ / ₁₆																ZETP105307
11	3 ¹¹ / ₁₆	ZETP115311	5 ¹ / ₂	8	6 ¹ / ₈	3 ¹ / ₈	10 ¹ / ₂	2 ¹ / ₁₆	11	3 ¹⁵ / ₁₆	10 ¹⁵ / ₁₆	5 ⁵ / ₈	7 ²¹ / ₃₂	¹⁵ / ₁₆	1 ³ / ₈	4	71.0	
		3 ¹⁵ / ₁₆																ZETP115315
		4																ZETP115400

Additional Notes

- Please call 1-866-REXNORD for availability
- Lubrication fitting tap size: 1/8 in NPT
- Bore size = nominal shaft size +.001 in/-.000 in
- Seals - To specify G, K or M seal, replace "Z" in the part number with "G", "K" or "M"
- For the Selection Guide, Load Ratings and Speed Limits, see the Spherical Roller Bearings Engineering section on pages 17 - 29.
- Note: Dimensions subject to change. Certified dimensions of ordered material furnished on request.

ZETP6000

Interchange: TPHUIP, USTA5000A, USTA5000K, QVTP, QVVTP, DVTP



Product Features

- Positive locking system
- Tapered adapter sleeve
- Corrosion-resistant powder coating
- Cast iron Type E housing
- Misalignment capabilities - total of 4°
- Broad range of sealing options
- Factory set clearance & lubrication
- Precision ground & superfinished raceways
- See Features and Benefits for additional info on pages 10 - 13.

Bearing Dimensions

Size Code	Shaft Diameter	Part Number	A Base to Centerline Height	C	D	E	F	G	J	K	L	M	N	R	S	Z	Approx. Weight
6	1 15/16	ZETP66115	3 7/32	4 1/2	3 41/64	2 3/8	6	1 3/8	6 1/2	2	6 7/16	2 56/64	4	13/16	15/16	2 13/32	15.4
7	2 3/16	ZETP76203	3 15/32	5 1/4	3 11/16	2 7/16	6 3/4	1 13/32	7	2 1/4	6 29/32	3 15/64	4 1/2	13/16	15/16	2 5/8	15.4
8	2 3/8	ZETP86206	3 1/2	4 7/8	4 1/16	2 3/4	7	1 25/32	7 1/2	2 3/8	7 3/8	3 19/32	4 13/16	7/8	1 3/32	2 3/4	21.4
	2 7/16	ZETP86207															
9	2 11/16	ZETP96211	4 5/64	5 7/8	4 17/32	2 3/4	8	1 13/16	8 1/2	2 31/32	8 7/16	4 3/32	5 13/16	7/8	1 3/32	3 5/32	29.4
	2 3/4	ZETP96212															
	2 15/16	ZETP96215															
10	3 3/16	ZETP106303	4 1/2	6 7/16	5 1/32	2 3/4	8 15/16	2 3/64	9 3/8	3 1/2	9 1/2	4 61/64	6 3/4	7/8	1 3/8	3 7/16	41.4
	3 7/16	ZETP106307															
11	3 11/16	ZETP116311	5 1/2	8	5 25/32	3 1/8	10 1/2	2 1/16	11	3 15/16	10 15/16	5 43/64	7 21/32	15/16	1 3/8	4	68.4
	3 15/16	ZETP116315															

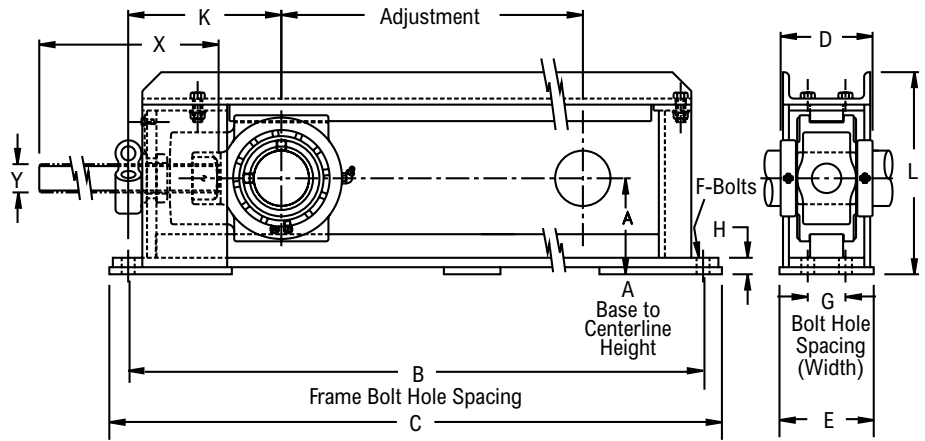
Additional Notes

- Please call 1-866-REXNORD for availability
- Lubrication fitting tap size: 1/8 in NPT
- Bore size = nominal shaft size +.001 in/- .000 in
- Seals - To specify G, K or M seal, replace "Z" in the part number with "G", "K" or "M"
- For the Selection Guide, Load Ratings and Speed Limits, see the Spherical Roller Bearings Engineering section on pages 17 - 29.
- Note: Dimensions subject to change. Certified dimensions of ordered material furnished on request.

ZHT5000



Photo Shows a Center Pull Take-up Frame with Spherical Roller Bearing Take-up Unit



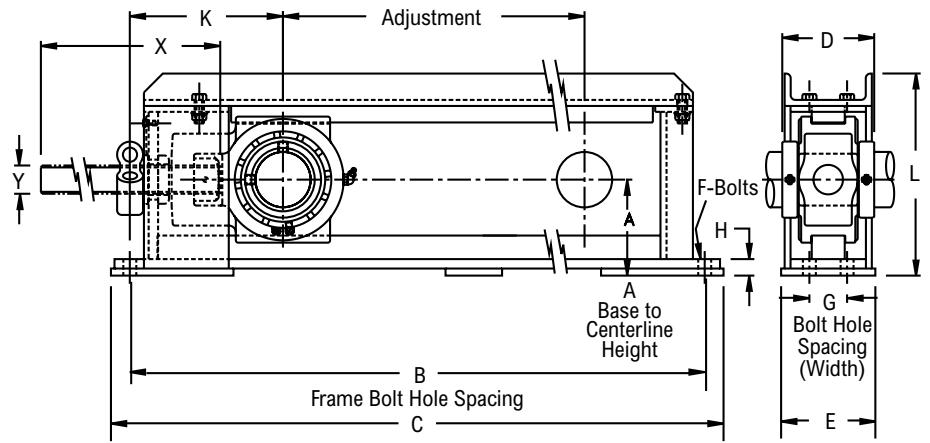
Product Features

- Center pull type frame
- Corrosion-resistant powder coating
- Cast iron housing
- Misalignment capabilities - total of 3°
- Broad range of sealing options
- Factory set clearance & lubrication
- Precision ground & superfinished raceways
- Field interchangeable seals
- See Features and Benefits for additional info on pages 10 - 13.

Bearing Dimensions

Size Code	Shaft Diameter	Complete Take-up Assembly	Travel Length	A Base to Centerline Height	B Frame Bolt Hole Spacing	G Bolt Hole Spacing (Width)	C	D	E	F	H	K	L	X	Y	Adjust.	Allowable Working Load	Approx. Weight
2-Bolt																		
5	1 1/2	ZHT55108	12	3 15/16	27 1/2	-	29 1/2	3 13/16	4	5/8	7/8	6 9/16	8 7/16	19 1/2	1-8NC	15	12,300	59
			18		33 1/2		35 1/2							25 1/2		21		69
			24		39 1/2		41 1/2							31 1/2		27		77
	1 11/16	ZHT55111	30		45 1/2		47 1/2									33		86
			36		51 1/2		53 1/2									39		95
	40 MM	ZHT55040MM	304.80	100.01	698.50	-	749.30	96.80	101.60	15.88	22.22	166.70	214.31	495.30	1-8NC	381.00	54710.40	267.57
			457.20		850.90		901.70							647.70		533.40		312.92
			609.60		1003.30		1054.10							800.10		685.80		349.20
			762.00		1155.70		1206.50							952.50		838.20		390.01
			914.40		1308.10		1358.90							1104.90		990.60		430.83
6	1 15/16	ZHT65115	12	3 15/16	27 1/2	-	29 1/2	3 13/16	4	5/8	7/8	6 9/16	8 7/16	19 1/2	1-8NC	15	12,300	59
			18		33 1/2		35 1/2							25 1/2		21		69
			24		39 1/2		41 1/2							31 1/2		27		77
			30		45 1/2		47 1/2									33		86
			36		51 1/2		53 1/2									39		95
	50 MM	ZHT65050MM	304.80	100.01	698.50	-	749.30	96.80	101.60	15.88	22.22	166.70	214.31	495.30	1-8NC	381.00	54710.40	267.57
			457.20		850.90		901.70							647.70		533.40		312.92
			609.60		1003.30		1054.10							800.10		685.80		349.20
			762.00		1155.70		1206.50							952.50		838.20		390.01
			914.40		1308.10		1358.90							1104.90		990.60		430.83
7	2	ZHT75200	12	4 7/16	27 1/2	-	29 1/2	4 1/8	4	5/8	1 3/16	6 13/16	9	20	1 1/4-7NC	15	13,000	70
			18		33 1/2		35 1/2							26		21		81
			24		39 1/2		41 1/2							32		27		90
			30		45 1/2		47 1/2									33		98
			36		51 1/2		53 1/2									39		108
	55 MM	ZHT75055MM	304.80	112.71	698.50	-	749.30	104.77	101.60	15.88	30.16	173.04	228.60	508.00	1 1/4-7NC	381.00	57824.00	317.45
			457.20		850.90		901.70							660.40		533.40		367.34
			609.60		1003.30		1054.10							812.80		685.80		408.15
			762.00		1155.70		1206.50							965.20		838.20		444.43
			914.40		1308.10		1358.90							1117.60		990.60		489.78
8	2 7/16	ZHT85207	12	4 3/8	28 1/2	-	30 1/2	4 3/8	4	3/4	3/4	7 1/2	9 3/16	20	1 1/4-7NC	15	16,300	77
			18		34 1/2		36 1/2							26		21		86
			24		40 1/2		42 1/2							32		27		96
			30		46 1/2		48 1/2									33		107
			36		52 1/2		54 1/2									39		119
	60 MM	ZHT85060MM	304.80	111.13	723.90	-	774.70	111.13	101.60	19.05	19.05	190.50	233.36	508.00	1 1/4-7NC	381.00	72502.40	349.20
			457.20		876.30		927.10							660.40		533.40		390.01
			609.60		1028.70		1079.50							812.80		685.80		435.36
			762.00		1181.10		1231.90							965.20		838.20		485.25
			914.40		1333.50		1384.30							1117.60		990.60		539.67

Continued...

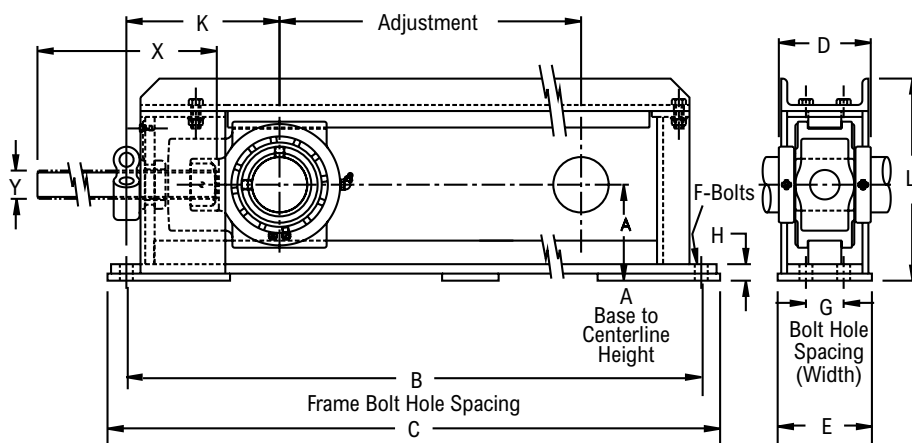


Continued...

Bearing Dimensions

Size Code	Shaft Diameter	Complete Take-up Assembly	Travel Length	A Base to Centerline Height	B Frame Bolt Hole Spacing	G Bolt Hole Spacing (Width)	C	D	E	F	H	K	L	X	Y	Adjust.	Allowable Working Load	Approx. Weight
4-Bolt																		
9	2 1/2	ZHT95208	12	5 1/8	30 1/2	2	32 1/2	4 7/8	5	5/8	7/8	8 1/8	10 3/4	21 3/4	1 1/2-6NC	16	26,800	128
	18	ZHT95211	18		36 1/2		38 1/2							27 3/4		22		142
	24		24		42 1/2		44 1/2							33 3/4		28		159
	30		30		48 1/2		50 1/2							39 3/4		34		174
	36	ZHT95215	36		54 1/2		56 1/2							45 3/4		40		191
	70 MM	ZHT95070MM	304.80 457.20 609.60	130.18	774.70 927.10 1079.50	50.80	825.50 977.90 1130.30	123.83	127.00	15.88	22.22	166.70	206.38	552.45 704.85 857.25	1 1/2-6NC	406.40 558.80 711.20	119,206.40	580.48 643.97 721.07
	75 MM	ZHT95075MM	762.00 914.40		1231.90 1384.30		1282.70 1435.10							1009.65 1162.05		863.60 1016.00		789.09 866.19
10	3 3/16	ZHT105303	12	5 5/8	32	2	34 1/4	5 5/16	5	3/4	7/8	8 3/4	11 13/16	22	1 3/4-5NC	16 1/4	27,300	152
	18		18		38		40 1/4							28		177		
	24		24		44		46 1/4							34		186		
	30	ZHT105307	30		50		52 1/4							40		205		
	36		36		56		58 1/4							46		224		
	80 MM	ZHT105080MM	304.80 457.20 609.60	142.88	812.80 965.20 1117.60	50.80	869.95 1022.35 1174.75	134.94	127.00	19.05	22.22	222.25	300.04	558.80 711.20 863.60	1 3/4-5NC	444.50 596.90 749.30	121,430.40	689.32 802.70 843.51
	85 MM	ZHT105085MM	762.00 914.40		1270.00 1422.40		1327.15 1479.55							1016.00 1168.40		901.70 1054.10		929.68 1015.84
11	3 11/16	ZHT115311	12	7	36	2 1/2	38 1/2	6 1/4	6	3/4	7/8	10 5/8	14 3/16	26	2-4 1/2NC	17 1/2	38,400	241
	18		18		42		44 1/2							32		270		
	24	ZHT115315	24		48		50 1/2							38		290		
	30		30		54		56 1/2							44		311		
	36	ZHT115400	36		60		62 1/2							50		337		
	100 MM	ZHT115100MM	304.80 457.20 609.60	177.80	914.40 1066.80 1219.20	63.50	977.90 1130.30 1282.70	158.75	152.40	19.05	22.22	269.88	360.36	660.40 812.80 965.20	2-4 1/2NC	444.50 596.90 749.30	170,803.20	1092.94 1224.45 1315.15
			762.00 914.40		1371.60 1524.00		1435.10 1587.50							1117.60 1270.00		901.70 1054.10		1410.39 1528.30
12	4 3/16	ZHT125403Y	12	7 1/2	40 3/4	5	45 3/4	6 1/4	8 7/8	1 1/8	1	12 1/4	15 1/2	26	2-4 1/2 NC	19	53,300	331
	18		18		46 3/4		51 3/4							32		362		
	24		24		52 3/4		57 3/4							38		391		
	30	ZHT125407Y	30		58 3/4		63 3/4							44		410		
	36		36		64 3/4		69 3/4							50		433		
42		42	70 3/4	75 3/4	56	461												

Continued...



Continued...

Bearing Dimensions

Size Code	Shaft Diameter	Complete Take-up Assembly	Travel Length	A Base to Centerline Height	B Frame Bolt Hole Spacing	G Bolt Hole Spacing (Width)	C	D	E	F	H	K	L	X	Y	Adjust.	Allowable Working Load	Approx. Weight
4-Bolt (continued)																		
12	110 MM	ZHT125110MM	304.80 457.20 609.60 762.00 914.40 1066.80	190.50	1035.05 1187.45 1339.85 1492.25 1644.65 1797.05	127.00	1111.25 1314.45 1466.85 1619.25 1009.65 1924.05	158.75	225.43	28.58	25.40	309.88	393.70	660.40 812.80 965.20 1117.60 1270.00 1422.40	2-4 1/2NC	482.60 635.00 787.40 939.80 1092.20 1244.60	237,078.40	1501.09 1641.67 1773.19 1859.35 1963.66 2090.64
	115 MM	ZHT125115MM																
13	4 15/16	ZHT135415	12 18 24 30 36 42	8 1/8	44 1/2 50 1/2 56 1/2 62 1/2 68 1/2 74 1/2	5 1/2	49 1/2 55 1/2 61 1/2 67 1/2 73 1/2 79 1/2	7 7/8	9 7/8	1 1/8	1	13 1/2	16 3/4	29 35 41 47 53 59	2 1/4- 4 1/2 NC	20 1/4 26 1/4 32 1/4 38 1/4 44 1/4 50 1/4	68,000	440 460 496 527 555 587
		5	ZHT135500															
	125 MM	ZHT135125MM	304.80 457.20 609.60 762.00 914.40 1066.80	206.37	1130.30 1282.70 1435.10 1587.50 1739.90 1892.30	139.70	1257.30 1409.70 1562.10 1714.50 1866.90 2019.30	200.00	250.83	28.50	25.40	342.90	171.45	745.49 1041.40 1193.80 1361.19 1866.90 2019.30	2-4 1/2NC	514.35 666.75 819.15 971.55 1123.95 1276.35	302,464.00	1995.40 2086.10 2249.36 2389.95 2516.93 2662.05
		130 MM	ZHT135135MM															
14	5 7/16	ZHT145507	18 30 42	10 9/16	55 67 79	7	61 73 85	8	12	1 3/4	1 1/2	23 1/2	22 1/2	36 48 60	3- 4 NC	18 30 42	136,700	1293 1420 1547
	140 MM	ZHT145140MM	457.20 762.00 1066.80	298.29	1397.00 1701.80 2006.60	177.80	1549.40 1854.20 2159.00	203.20	304.80	44.45	12.70	596.90	571.50	914.40 1219.20 1524.00	3-4NC	457.20 762.00 1066.80	608,041.60	5863.76 6439.70 7015.65
15	5 15/16	ZHT155515	18 30 42	10 9/16	55 67 79	7	61 73 85	8 1/8	12	1 3/4	1 1/2	23 1/2	22 1/2	36 48 60	3- 4 NC	18 30 42	136,700	1300 1427 1554
	150 MM	ZHT155150MM	457.20 762.00 1066.80	298.29	1397.00 1701.80 2006.60	177.80	1549.40 1854.20 2159.00	206.38	304.80	44.45	12.70	596.90	571.50	914.40 1219.20 1524.00	3-4NC	457.20 762.00 1066.80	608,041.60	5895.50 6471.45 7047.39
	160 MM	ZHT155160MM																
16	6 7/16	ZHT165607	18 30 42	10 9/16	55 67 79	7	61 73 85	8 3/4	12	1 3/4	1 1/2	23 1/2	22 1/2	36 48 60	3-4 NC	18 30 42	136,700	1304 1431 1558
	6 15/16	ZHT165615																
	7	ZHT165700																
	180 MM	ZHT165180MM	457.20 762.00 1066.80	298.29	1397.00 1701.80 2006.60	177.80	1549.40 1854.20 2159.00	222.25	304.80	44.45	12.70	596.90	571.50	914.40 1219.20 1524.00	3-4NC	457.20 762.00 1066.80	608,041.60	5913.64 6489.59 7065.53

Additional Notes

Please call 1-866-REXNORD for availability
 Metric bore sizes available, see Rex Interchangeability guide
 Lubrication fitting tap size: for size code 5 thru 11, 1/8" PT; for all other size codes, 1/4" PT
 Bore size = nominal shaft size +.001 in/-.000 in (+0.03 mm/-0.00 mm)
 Seals - To specify G, K or M seal, replace "Z" in part number with "G", "K" or "M"
 "G" seals only available in size codes 5 thru 13

"K" seals only available in size codes 5 thru 11
 Auxiliary end caps - available in all size codes
 Allowable working load is 2/3 yield strength
 For the Selection Guide, Load Ratings and Speed Limits, see the Spherical Roller Bearings Engineering section on pages 17 - 29.
 Note: Dimensions subject to change. Certified dimensions of ordered material furnished on request.

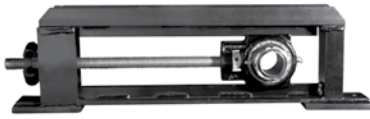
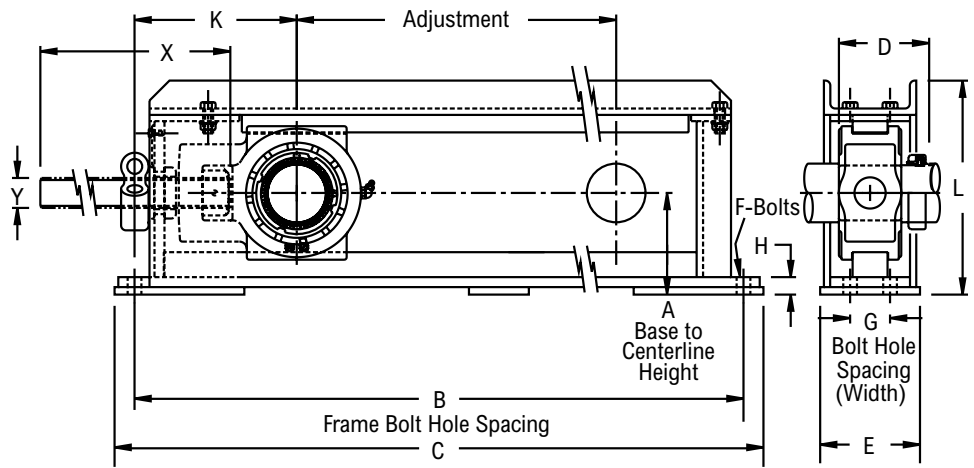


Photo Shows a Center Pull Take-up Frame with Spherical Roller Bearing Take-up Unit



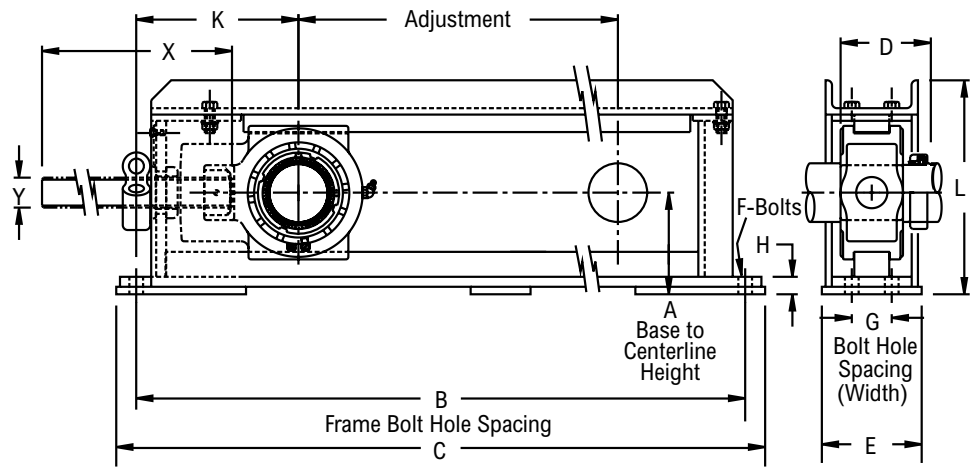
Product Features

- Positive locking system
- Tapered adapter sleeve
- Center pull type frame
- Corrosion-resistant powder coating
- Cast iron housing
- Misalignment capabilities - total of 3°
- Broad range of sealing options
- Factory set clearance & lubrication
- See Features and Benefits for additional info on pages 10 - 13.

Bearing Dimensions

Size Code	Shaft Diameter	Complete Take-up Assembly	Travel Length	A Base to Centerline Height	B Frame Bolt Hole Spacing	G Bolt Hole Spacing (Width)	C	D	E	F	H	K	L	X	Y	Adjust.	Allowable Working Load	Approx. Weight	
2-Bolt																			
5	1 15/16	ZHT56111	12.000 18.000 24.000 30.000 36.000	3 15/16	27 1/2 33 1/2 39 1/2 45 1/2 51 1/2	-	29 1/2 35 1/2 41 1/2 47 1/2 53 1/2	3 41/64	4	5/8	7/8	6 9/16	8 7/16	19 1/2 25 1/2 31 1/2 37 1/2 43 1/2	1-8 NC	15 21 27 33 39	12,300	59.00 lb 69.00 lb 77.00 lb 86.00 lb 95.00 lb	
	40 MM	ZHT56040MM	304.80 457.20 609.60 762.00 914.40	100.01	698.50 850.90 1003.30 1155.70 1308.10	-	749.30 901.70 1054.10 1206.50 1358.90	94.85	101.60	15.88	22.22	166.70	214.31	495.30 647.70 800.10 952.50 1104.90	1-8NC	381.00 533.40 685.80 838.20 990.60	54710.40	267.57 312.92 349.20 390.01 430.83	
6	1 15/16	ZHT66115	12 18 24 30 36	3 15/16	27 1/2 33 1/2 39 1/2 45 1/2 51 1/2	-	29 1/2 35 1/2 41 1/2 47 1/2 53 1/2	3 41/64	4	5/8	7/8	6 9/16	8 7/16	19 1/2 25 1/2 31 1/2 37 1/2 43 1/2	1-8 NC	15 21 27 33 39	12,300	59 69 77 86 95	
	45 MM	ZHT66045MM	304.80 457.20 609.60 762.00 914.40	100.01	698.50 850.90 1003.30 1155.70 1308.10	-	749.30 901.70 1054.10 1206.50 1358.90	92.47	101.60	15.88	22.22	166.70	214.31	495.30 647.70 800.10 952.50 1104.90	1-8NC	381.00 533.40 685.80 838.20 990.60	54,710.40	267.57 312.92 349.20 390.01 430.83	
7	2 3/16	ZHT76203	12 18 24 30 36	4 7/16	27 1/2 33 1/2 39 1/2 45 1/2 51 1/2	-	29 1/2 35 1/2 41 1/2 47 1/2 53 1/2	3 49/64	4	5/8	1 3/16	6 13/16	9	20 26 32 38 44	1 1/4-7 NC	15 21 27 33 39	13,000	70 81 90 98 108	
	50 MM	ZHT76050MM	304.80 457.20 609.60 762.00 914.40	112.71	698.50 850.90 1003.30 1155.70 1308.10	-	749.30 901.70 1054.10 1206.50 1358.90	95.65	101.60	15.88	30.16	173.04	228.60	508.00 660.40 812.80 965.20 1117.60	1 1/4-7NC	381.00 533.40 685.80 838.20 990.60	57,824.00	317.45 367.34 408.15 444.43 489.78	
	55 MM	ZHT76055MM	304.80 457.20 609.60 762.00 914.40	112.71	698.50 850.90 1003.30 1155.70 1308.10	-	749.30 901.70 1054.10 1206.50 1358.90	95.65	101.60	15.88	30.16	173.04	228.60	508.00 660.40 812.80 965.20 1117.60	1 1/4-7NC	381.00 533.40 685.80 838.20 990.60	57,824.00	317.45 367.34 408.15 444.43 489.78	
8	2 3/8	ZHT86206	12 18 24 30 36	4 3/8	28 1/2 34 1/2 40 1/2 46 1/2 52 1/2	-	30 1/2 36 1/2 42 1/2 48 1/2 54 1/2	4 5/32	4	3/4	3/4	7 1/2	9 3/16	20 26 32 38 44	1 1/4-7 NC	15 21 27 33 39	16,300	77 86 96 107 119	
	2 7/16	ZHT86207	12 18 24 30 36	4 3/8	28 1/2 34 1/2 40 1/2 46 1/2 52 1/2	-	30 1/2 36 1/2 42 1/2 48 1/2 54 1/2	4 5/32	4	3/4	3/4	7 1/2	9 3/16	20 26 32 38 44	1 1/4-7 NC	15 21 27 33 39	16,300	77 86 96 107 119	
	60 MM	ZHT86060MM	304.80 457.20 609.60 762.00 914.40	111.13	723.90 876.30 1028.70 1181.10 1333.50	-	774.70 927.10 1079.50 1231.90 1384.30	105.57	101.60	19.05	19.05	190.50	233.36	508.00 660.40 812.80 965.20 1117.60	1 1/4-7NC	381.00 533.40 685.80 838.20 990.60	72502.40	349.20 390.01 435.36 485.25 539.67	

Continued...

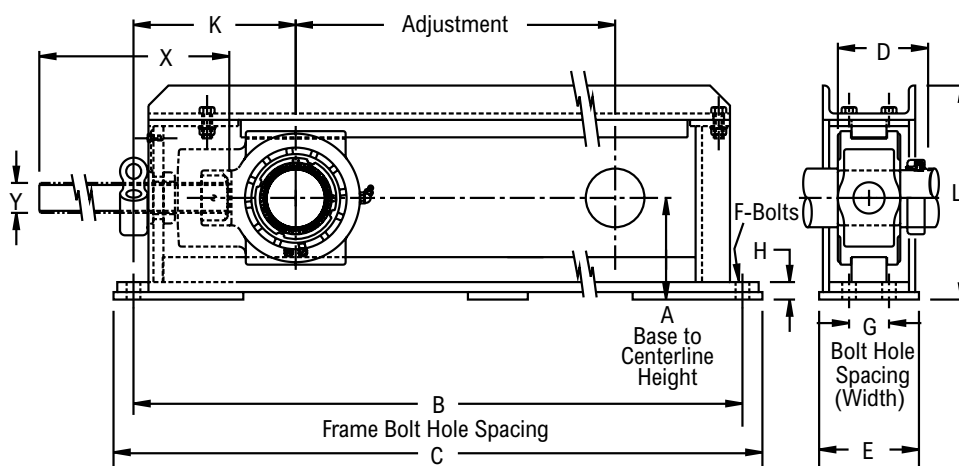


Continued...

Bearing Dimensions

Size Code	Shaft Diameter	Complete Take-up Assembly	Travel Length	A Base to Centerline Height	B Frame Bolt Hole Spacing	G Bolt Hole Spacing (Width)	C	D	E	F	H	K	L	X	Y	Adjust.	Allowable Working Load	Approx. Weight
4-Bolt																		
9	2 11/16	ZHT96211	12	5 1/8	30 1/2	2	32 1/2	4 17/32	5	5/8	7/8	8 1/8	10 3/4	21 3/4	1 1/2-6 NC	16	26,800	128
			18		36 1/2		38 1/2							27 3/4		22		142
			24		42 1/2		44 1/2							33 3/4		28		159
			30	48 1/2	50 1/2	39 3/4	34	174										
			36	54 1/2	56 1/2	45 3/4	40	191										
		65 MM	ZHT96065MM	304.80 457.20	130.18	774.70 927.10	50.80	825.50 977.90	115.09	127.00	15.88	22.22	166.70	206.38	552.45 704.85	1 1/2-6NC	406.40 558.80	119206.40
	70 MM	ZHT96070MM	609.60 762.00	1079.50 1231.90		1130.30 1282.70		857.25 1009.65							711.20 863.60		721.07 789.09	
	75 MM	ZHT96075MM	914.40	1384.30		1435.10		1009.65 1162.05							863.60 1016.00		789.09 866.19	
10	3 3/16	ZHT106303	12	5 5/8	32	2	34 1/4	5 9/64	5	3/4	7/8	8 3/4	11 13/16	22	1 3/4-5 NC	16 1/4	27,300	152
			18		38		40 1/4							28		177		
			24		44		46 1/4							34		186		
			30	50	52 1/4	40	205											
			36	56	58 1/4	46	224											
		80 MM	ZHT106080MM	304.80 457.20	142.88	812.80 965.20	50.80	869.95 1022.35	130.57	127.00	19.05	22.22	222.25	300.04	558.80 711.20	1 3/4-5NC	444.50 596.90	121,430.40
		609.60 762.00	1117.60 1270.00	1174.75 1327.15		863.60 1016.00		749.30 901.70							843.51 929.68			
	85 MM	ZHT106085MM	914.40	1422.40		1479.55		1016.00 1168.40							901.70 1054.10		929.68 1015.84	
11	3 11/16	ZHT116311	12	7	36	2 1/2	38 1/2	5 31/32	6	3/4	7/8	10 5/8	14 3/16	26	2-4 1/2 NC	17 1/2	38,400	241
			18		42		44 1/2							32		270		
			24		48		50 1/2							38		290		
			30	54	56 1/2	44	311											
			36	60	62 1/2	50	337											
		90 MM	ZHT116090MM	304.80 457.20	177.80	914.40 1066.80	63.50	977.90 1130.30	151.61	152.40	19.05	22.22	269.88	360.36	660.40 812.80	2-4 1/2NC	444.50 596.90	170803.20
		609.60 762.00	1219.20 1371.60	1282.70 1435.10		965.20 1117.60		749.30 901.70							1315.15 1410.39			
	100 MM	ZHT116100MM	914.40	1524.00		1587.50		1117.60 1270.00							901.70 1054.10		1410.39 1528.30	
12	4 3/16	ZHT126403Y	12	7 1/2	40 3/4	5	45 3/4	6 1/4	8 7/8	1 1/8	1	12 1/4	15 1/2	26	2-4 1/2 NC	19	53,300	331
			18		46 3/4		51 3/4							32		362		
			24		52 3/4		57 3/4							38		391		
			30	58 3/4	63 3/4	44	410											
			36	64 3/4	69 3/4	50	433											
			42	70 3/4	75 3/4	56	461											
	110 MM	ZHT126110MM	304.80 457.20	190.50	1035.05 1187.45	127.00	1111.25 1314.45	158.75	225.43	28.58	25.40	309.88	393.70	660.40 812.80	2-4 1/2NC	482.60 635.00	237,078.40	1501.09 1641.67
		609.60 762.00	1339.85 1492.25		1466.85 1619.25		965.20 1117.60							787.40 939.80		1773.19 1859.35		
		914.40 1066.80	1644.65 1797.05		1619.25 1924.05		1270.00 1422.40							1092.20 1244.60		1963.66 2090.64		

Continued...



Continued...

Bearing Dimensions

Size Code	Shaft Diameter	Complete Take-up Assembly	Travel Length	A Base to Centerline Height	B Frame Bolt Hole Spacing	G Bolt Hole Spacing (Width)	C	D	E	F	H	K	L	X	Y	Adjust.	Allowable Working Load	Approx. Weight
4-Bolt (continued)																		
13	4 15/16	ZHT136415	12	8 1/8	44 1/2	5 1/2	49 1/2	7 15/16	9 7/8	1 1/8	1	13 1/2	16 3/4	29	2 1/4- 4 1/2 NC	20 1/4	68,000	440
			18		50 1/2		55 1/2							35		26 1/4		460
			24		56 1/2		61 1/2							41		32 1/4		496
			30		62 1/2		67 1/2							47		38 1/4		527
			36		68 1/2		73 1/2							53		44 1/4		555
			42		74 1/2		79 1/2							59		50 1/4		587
	115 MM	ZHT136115MM	304.80	206.37	1130.30	139.70	1257.30	198.44	250.83	28.50	25.40	342.90	171.45	745.49	2-4 1/2 NC	514.35	302,464.00	1995.40
			457.20		1282.70		1409.70							1041.40		666.75		2086.10
			609.60		1435.10		1562.10							1193.80		819.15		2249.36
			762.00		1587.50		1714.50							1361.19		971.55		2389.95
			914.40		1739.90		1866.90							1866.90		1123.95		2516.93
			1066.80		1892.30		2019.30							2019.30		1276.35		2662.05
125 MM	ZHT136125MM	304.80	206.37	1130.30	139.70	1257.30	198.44	250.83	28.50	25.40	342.90	171.45	745.49	2-4 1/2 NC	514.35	302,464.00	1995.40	
		457.20		1282.70		1409.70							1041.40		666.75		2086.10	
		609.60		1435.10		1562.10							1193.80		819.15		2249.36	
		762.00		1587.50		1714.50							1361.19		971.55		2389.95	
		914.40		1739.90		1866.90							1866.90		1123.95		2516.93	
		1066.80		1892.30		2019.30							2019.30		1276.35		2662.05	

Additional Notes

- Please call 1-866-REXNORD for availability
- Lubrication fitting tap size: for size code 6 thru 11, 1/8" PT; for all other size codes, 1/4" PT
- Seals - To specify G, K or M seal, replace "Z" in part number with "G", "K" or "M"
- "K" seals only available in size codes 5 thru 11
- Auxiliary end caps - available in all size codes
- Allowable working load is 2/3 yield strength

For the Selection Guide, Load Ratings and Speed Limits, see the Spherical Roller Bearings Engineering section on pages 17 - 29.

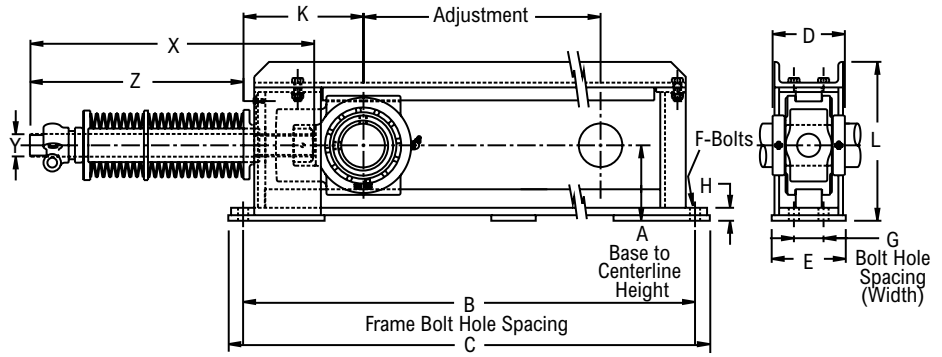
Note: Dimensions subject to change. Certified dimensions of ordered material furnished on request.

Continued...

ZST5000



Photo Shows a Center Pull Spring Loaded Take-up Frame with Spherical Roller Bearing Take-up Unit



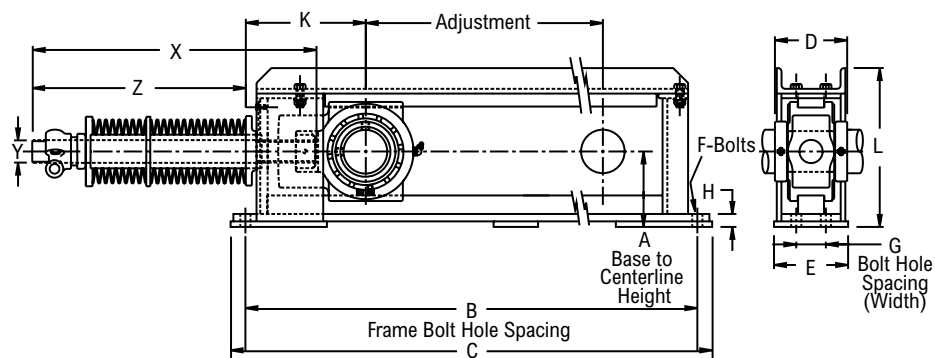
Product Features

- Center pull type spring loaded frame
- Corrosion-resistant powder coating
- Cast iron housing
- Misalignment capabilities - total of 3°
- Broad range of sealing options
- Factory set clearance & lubrication
- Precision ground & superfinished raceways
- Field interchangeable seals
- See Features and Benefits for additional info on pages 10 - 13.

Bearing Dimensions

Size Code	Shaft Diameter	Part Number	A	B	C	D	E	F	G	H	K	L	X	Y	Z	Working Load Inches of Spring Deflection			Allowable Working Load	Approx. Weight	
																1	3	5			
2-Bolt																					
5	1 1/2	ZST5510818	3 15/16	33 1/2	35 1/2	3 13/16	4	5/8	-	7/8	6 9/16	8 7/16	43	1-8 NC	39	870	1,800	3,400	12,300	69.00	
	1 11/16	ZST5511118																			
	40.00	ZST55040MM18																			100.01
	45.00	ZST55045MM18																			
6	1 15/16	ZST6511518	3 15/16	33 1/2	35 1/2	3 13/16	4	5/8	-	7/8	6 9/16	8 7/16	43	1-8 NC	39	870	1,800	3,400	12,300	69.00	
	50.00	ZST65050MM18																			100.01
7	2	ZST7520018	4 7/16	33 1/2	35 1/2	4 1/8	4	5/8	-	1 3/16	6 13/16	9	43	1 1/4-7 NC	39	870	1,800	3,400	13,000	81.00	
	2 3/16	ZST7520318																			
	55.00	ZST75055MM18																			112.71
8	2 7/16	ZST8520718	4 3/8	34 1/2	36 1/2	4 3/8	4	3/4	-	3/4	7 1/2	9 3/16	43	1 1/4-7 NC	39	870	1,800	3,400	16,300	86.00	
	60.00	ZST85060MM18																			
	65.00	ZST85065MM18																			111.13
4-Bolt																					
9	2 1/2	ZST9520818	5 1/8	36 1/2	38 1/2	4 7/8	5	5/8	2	7/8	8 1/8	10 3/4	45	1 1/2-6 NC	40 1/4	1,300	3,400	5,250	26,800	142.00	
	2 11/16	ZST9521118																			
	2 15/16	ZST9521518																			
	70.00	ZST95070MM18																			130.18
	75.00	ZST95075MM18																			
10	3 3/16	ZST10530318	5 5/8	38	40 1/4	5 5/16	5	3/4	2	7/8	8 3/4	11 13/16	45	1 3/4-5 NC	40 1/4	1,800	3,700	6,800	27,300	177.00	
	3 7/16	ZST10530718																			
	80.00	ZST105080MM18																			
	85.00	ZST105085MM18																			142.88
	90.00	ZST105090MM18																			
11	3 11/16	ZST11531118	7	42	44 1/2	6 1/8	6	3/4	2 1/2	7/8	10 5/8	14 3/16	48 1/2	2-4 1/2 NC	41	2,600	5,200	9,400	38,400	270.00	
	3 15/16	ZST11531518																			
	4	ZST11540018																			
100.00	ZHT115100MM18	177.80	1,067.00	1,130.00	155.58	152.40	19.00	63.50	22.23	269.88	360.36	812.00	2-4 1/2 NC	1,041.40	1,180	2,350	4,260	17,410	123.00		

Continued...



Continued...

Bearing Dimensions

Size Code	Shaft Diameter	Part Number	A	B	C	D	E	F	G	H	K	L	X	Y	Z	Working Load Inches of Spring Deflection			Allowable Working Load	Approx. Weight																		
																1	3	5																				
4-Bolt (continued)																																						
12	4 ³ / ₁₆	ZST125403Y18	7 1/2	46 3/4	51 3/4	6 1/4	8 7/8	1 1/8	5	1	12 1/4	15 1/2	48 1/2	2-4 1/2 NC	41	2,600	5,200	9,400	53,300	362.00																		
	4 ⁷ / ₁₆	ZST125407Y18																																				
	110.00	ZST125110MM18																			190.50	1,187.00	1,314.00	158.75	225.43	28.00	127.00	25.40	311.15	393.70	813.00	2-4 1/2 NC	1,041.40	1,180	2,350	4,260	24,170	164.00
13	4 ¹⁵ / ₁₆	ZST13541518	8 1/8	50 1/2	55 1/2	7 7/8	9 7/8	1 1/8	5 1/2	1	13 1/2	16 3/4	52	2 1/4-4 1/2 NC	45 1/2	1,180	2,350	4,260	68,000	460.00																		
	5	ZST13550018																																				
	125.00	ZST135125MM18																			206.38	1,283.00	1,410.00	200.03	250.83	28.00	139.70	25.40	342.90	425.45	889.00	2 1/4-4 1/2 NC	1,155.70	2,030	5,080	8,160	30,800	209.00
	130.00	ZST135130MM18																																				

Additional Notes

- Please call 1-866-REXNORD for availability
- Metric bore sizes available, see Rex Interchangeability guide
- Lubrication fitting tap size: for size code 5 thru 11, 1/8" PT; for all other size codes, 1/4" PT
- Bore size = nominal shaft size +.001 in/-.000 in (+0.03 mm/-0.00 mm)
- Seals - To specify "G", K or M seal, replace "Z" in part number with "G", "K" or "M"
- "K" seals only available in size codes 5 thru 11
- Auxiliary end caps - available in all size codes

- Allowable frame load is 2/3 yield strength
- For the Selection Guide, Load Ratings and Speed Limits, see the Spherical Roller Bearings Engineering section on pages 17 - 29.
- Note: Dimensions subject to change. Certified dimensions of ordered material furnished on request.

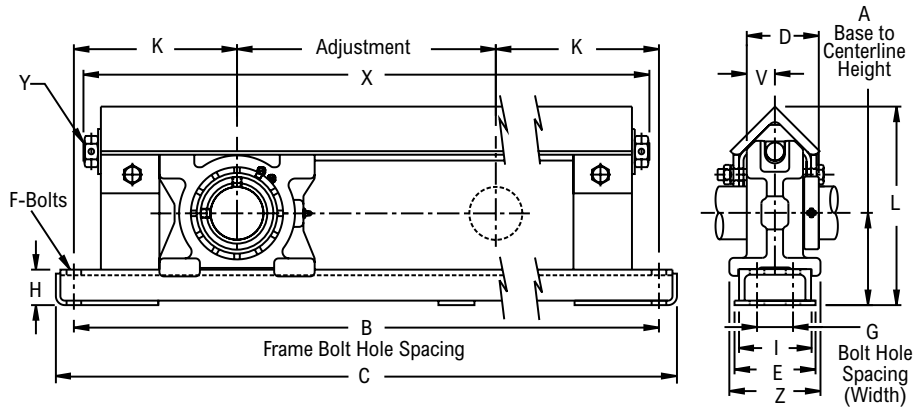
ZNT2000



Photo Shows a Protected Screw Type Take-up Frame with Spherical Roller Bearing Take-up Unit

Product Features

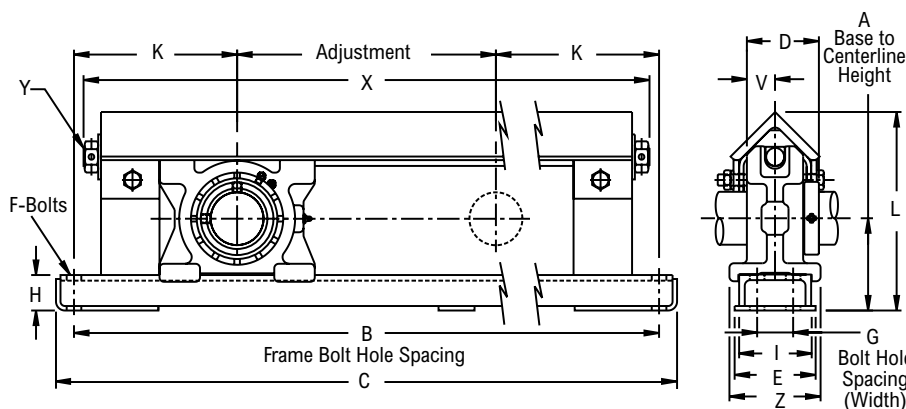
- Protected screw type frame
- Corrosion-resistant powder coating
- Cast iron housing
- Misalignment capabilities - total of 3°
- Broad range of sealing options
- Factory set clearance & lubrication
- Precision ground & superfinished raceways
- Field interchangeable seals
- See Features and Benefits for additional info on pages 10 - 13.



Bearing Dimensions

Size Code	Shaft Diameter	Complete Take-up Assembly	Travel Length	A Base to Centerline Height	B Frame Bolt Hole Spacing	G Bolt Hole Spacing (Width)	C	D	E	F	H	I	K	L	V	X	Y	Z	Adjust.	Allowable Working Load	Approx. Weight			
2-Bolt																								
6	1 15/16	ZNT62115	12 18	3 15/16	26 1/2 32 1/2	-	28 1/2 34 1/2	3 1/8	3 1/2	5/8	1 3/4	3	7 1/4	8 1/4	1 7/32	25 3/8 31 3/8	3/4 - 10NC	3 13/16	12 18	3,000	45 50			
	2	ZNT62200	24 30 36		38 1/2 44 1/2 50 1/2		40 1/2 46 1/2 52 1/2									37 3/8 43 3/8 49 3/8			24 30 36		56 63 70			
			304.80 457.20		100.01		673.10 825.50									723.90 876.30			644.53 796.93		3/4 - 10NC	304.80 457.20	13344.00	235.82 263.03
			609.60 762.00 914.40				977.90 1130.30 1282.70									1028.70 1181.10 1333.50			949.33 1101.73 1254.13			609.60 762.00 914.40		294.78 326.52
2 3/16	ZNT72203	12 18	4 3/16	27 1/2 33 1/2		-	29 1/2 35 1/2	3 5/16	3 1/2	5/8	1 3/4	3	7 3/4	8 11/16	1 9/32	26 3/8 32 3/8	3/4 - 10NC	3 13/16	12 18	3,600		49 54		
2 1/4	ZNT72204	24 30 36		39 1/2 45 1/2 51 1/2	41 1/2 47 1/2 53 1/2		38 3/8 44 3/8 50 3/8									24 30 36			66 73 78					
		304.80 457.20		106.36	698.50 850.90		749.30 901.70									669.93 822.33			3/4 - 10NC		304.80 457.20	16012.80	222.22 244.89	
		609.60 762.00 914.40			1003.30 1155.70 1308.10		1054.10 1206.50 1358.90									974.73 1127.13 1279.53					609.60 762.00 914.40		299.31 331.06 353.73	
2 3/8	ZNT82206	12 18	4 3/8		28 1/2 34 1/2	-	30 1/2 36 1/2	3 1/2	3 1/2	3/4	1 3/4	3	8 1/4	9 1/8	1 5/16	27 3/4 33 3/4	7/8 - 9NC	3 15/16		12 18	4,400		59 63	
2 7/16	ZNT82207	24 30 36		40 1/2 46 1/2 52 1/2	42 1/2 48 1/2 54 1/2		39 3/4 45 3/4 51 3/4									24 30 36			74 79 85					
		304.80 457.20		111.13	723.90 876.30		774.70 927.10									704.85 857.25			7/8 - 9NC	304.80 457.20		19751.20	267.57 285.71	
		609.60 762.00 914.40			1028.70 1181.10 1333.50		1079.50 1231.90 1384.30									1009.65 1162.05 1314.45				609.60 762.00 914.40			335.59 358.27 385.48	
2 1/2	ZNT82208	12 18	5 1/8		30 1/2 36 1/2	2	32 1/2 38 1/2	4	4 1/2	3/4	2	4	9 1/4	10 5/8	1 9/16	30 36	1 - 8NC	5 1/16		12 18	6,800		85 93	
353.73	ZNT92215	24 30 36		42 1/2 48 1/2 54 1/2	44 1/2 50 1/2 56 1/2		42 48 54									24 30 36			113 120 128					
		331.06 457.20		ZNT92211	30 1/2 36 1/2		32 1/2 38 1/2									30 36			1 - 8NC	331.06 457.20		6,800	85 93	
		609.60 762.00 914.40			42 1/2 48 1/2 54 1/2		44 1/2 50 1/2 56 1/2									42 48 54				609.60 762.00 914.40			113 120 128	
3	ZNT92300	12 18	5 1/8		30 1/2 36 1/2	2	32 1/2 38 1/2	4	4 1/2	3/4	2	4	9 1/4	10 5/8	1 9/16	30 36	1 - 8NC	5 1/16		12 18	6,800		85 93	
3	ZNT92300	24 30 36		42 1/2 48 1/2 54 1/2	44 1/2 50 1/2 56 1/2		42 48 54									24 30 36			113 120 128					
		331.06 457.20		ZNT92211	30 1/2 36 1/2		32 1/2 38 1/2									30 36			1 - 8NC	331.06 457.20		6,800	85 93	
		609.60 762.00 914.40			42 1/2 48 1/2 54 1/2		44 1/2 50 1/2 56 1/2									42 48 54				609.60 762.00 914.40			113 120 128	
3	ZNT92300	12 18	5 1/8		30 1/2 36 1/2	2	32 1/2 38 1/2	4	4 1/2	3/4	2	4	9 1/4	10 5/8	1 9/16	30 36	1 - 8NC	5 1/16		12 18	6,800		85 93	
3	ZNT92300	24 30 36		42 1/2 48 1/2 54 1/2	44 1/2 50 1/2 56 1/2		42 48 54									24 30 36			113 120 128					
		331.06 457.20		ZNT92211	30 1/2 36 1/2		32 1/2 38 1/2									30 36			1 - 8NC	331.06 457.20		6,800	85 93	
		609.60 762.00 914.40			42 1/2 48 1/2 54 1/2		44 1/2 50 1/2 56 1/2									42 48 54				609.60 762.00 914.40			113 120 128	
3	ZNT92300	12 18	5 1/8		30 1/2 36 1/2	2	32 1/2 38 1/2	4	4 1/2	3/4	2	4	9 1/4	10 5/8	1 9/16	30 36	1 - 8NC	5 1/16		12 18	6,800		85 93	
3	ZNT92300	24 30 36		42 1/2 48 1/2 54 1/2	44 1/2 50 1/2 56 1/2		42 48 54									24 30 36			113 120 128					
		331.06 457.20		ZNT92211	30 1/2 36 1/2		32 1/2 38 1/2									30 36			1 - 8NC	331.06 457.20		6,800	85 93	
		609.60 762.00 914.40			42 1/2 48 1/2 54 1/2		44 1/2 50 1/2 56 1/2									42 48 54				609.60 762.00 914.40			113 120 128	

Continued...



Continued...

Bearing Dimensions

Size Code	Shaft Diameter	Complete Take-up Assembly	Travel Length	A Base to Centerline Height	B Frame Bolt Hole Spacing	G Bolt Hole Spacing (Width)	C	D	E	F	H	I	K	L	V	X	Y	Z	Adjust.	Allowable Working Load	Approx. Weight
4-Bolt (continued)																					
9	70 MM	ZNT92070MM	304.80 457.20 609.60	130.18	774.70 927.10 1079.50	50.80	825.50 977.90 1130.30	101.60	114.30	19.05	50.80	101.60	234.95	269.88	39.69	762.00 914.40 1066.80	1-8NC		304.80 457.20 609.60	30246.40	385.48 421.76 512.46
	75 MM	ZNT92075MM	762.00 914.40		1231.90 1384.30		1282.70 1435.10									1219.20 1371.60			762.00 914.40		544.20 580.48
10	3 3/16	ZNT102303	12 18	5 5/8	32 38	2	34 1/4 40 1/4	4 3/8	4 1/2	3/4	2	4	10	11 3/4	1 23/32	32 38	1 1/8-7NC	5 3/16	12 18	8,400	118 127
	3 7/16	ZNT102307	24 30		44 50		46 1/4 52 1/4									44 50			24 30		145 154
	3 1/2	ZNT102308	36		56		58 1/4									56			36		166
	80 MM	ZNT102080MM	304.80 457.20 609.60		812.80 965.20 1117.60	63.50	869.95 1022.35 1174.75	111.13	114.30	19.05	50.80	101.06	254.00	298.45	43.66	812.80 965.20 1117.60	1 1/8-7NC		304.80 457.20 609.60	37363.20	535.13 575.95 657.58
	85 MM	ZNT102085MM	762.00 914.40	1270.00 1422.40	1327.15 1479.55		1270.00 1422.40									762.00 914.40			698.39 752.81		
11	3 11/16	ZNT112311	12 18	7	36 42	2 1/2	38 1/2 44 1/2	5 3/16	5 1/2	3/4	2 1/4	5	12	14 1/2	2 1/16	36 5/16 42 5/16	1 1/4-7NC	6 3/8	12 18	15,600	209 217
	3 15/16	ZNT112315	24 30		48 54		50 1/2 56 1/2									48 5/16 54 5/16			24 30		249 269
	4	ZNT112400	36		60		62 1/2									60 5/16			36		279
	100 MM	ZNT112100MM	304.80 457.20 609.60	177.80	914.40 1066.80 1219.20	63.50	977.90 1130.30 1282.70	131.76	139.70	19.05	57.15	127.00	304.80	368.30	52.39	922.35 1074.75 1227.15	1 1/4-7NC		304.80 457.20 609.60	69388.80	947.82 984.10 1129.22
			762.00 914.40		1371.60 1524.00		1435.10 1587.50									1379.55 1531.95			762.00 914.40		1219.92 1265.27

Additional Notes

- Please call 1-866-REXNORD for availability
- Metric bore sizes available, see Rex Interchangeability guide
- Lubrication fitting tap size, 1/8" PT
- Bore size = nominal shaft size +.001 in/-.000 in (+0.03 mm/-0.00 mm)
- Seals - To specify "G", K or M seal, replace "Z" in part number with "G", "K" or "M"
- Auxiliary end caps - available in all size codes
- Allowable working load is 2/3 yield strength

For the Selection Guide, Load Ratings and Speed Limits, see the Spherical Roller Bearings Engineering section on pages 17 - 29.
 Note: Dimensions subject to change. Certified dimensions of ordered material furnished on request.

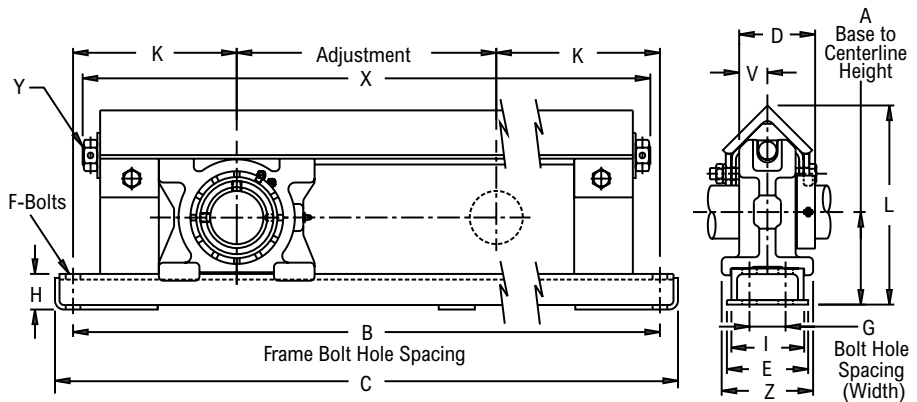
ZNT3000



Photo Shows a Protected Screw Type Take-up Frame with Spherical Roller Bearing Take-up Unit

Product Features

- Protected screw type frame
- Corrosion-resistant powder coating
- Cast iron housing
- Misalignment capabilities - total of 3°
- Broad range of sealing options
- Factory set clearance & lubrication
- Precision ground & superfinished raceways
- Field interchangeable seals
- See Features and Benefits for additional info on pages 10 - 13.



Bearing Dimensions

Size Code	Shaft Diameter	Complete Take-up Assembly	Travel Length	A Base to Centerline Height	B Frame Bolt Hole Spacing	G Bolt Hole Spacing (Width)	C	D	E	F	H	I	K	L	V	X	Y	Z	Adjust.	Allowable Working Load	Approx. Weight								
2-Bolt																													
6	1 15/16	ZNT63115	12	3 15/16	26 1/2	-	28 1/2	3 9/32	3 1/2	5/8	1 3/4	3 7/4	8 1/4	1 7/32	25 3/8	31 3/8	37 3/8	43 3/8	49 3/8	3/4-10 NC	3 13/16	12	3,000	45					
			18		32 1/2		34 1/2																		38 1/2	40 1/2	46 1/2	52 1/2	
			24		38 1/2		44 1/2																		50 1/2				
			30																										
			36																										
7	2 3/16	ZNT73203	12	4 3/16	27 1/2	-	29 1/2	3 1/2	3 1/2	5/8	1 3/4	3 7 3/4	8 11/16	1 9/32	26 3/8	32 3/8	38 3/8	44 3/8	50 3/8	3/4-10 NC	3 13/16	12	3,600	49					
			18		33 1/2		35 1/2																		41 1/2	47 1/2	53 1/2		
			24		39 1/2		45 1/2																		51 1/2				
			30																										
			36																										
8	2 7/16	ZNT83207	12	4 3/8	28 1/2	-	30 1/2	3 21/32	3 1/2	3/4	1 3/4	3 8 1/4	9 1/8	1 5/16	27 3/4	33 3/4	39 3/4	45 3/4	51 3/4	7/8-9 NC	3 15/16	12	4,400	59					
			18		34 1/2		36 1/2																		42 1/2	48 1/2	54 1/2		
	24	40 1/2	42 1/2		48 1/2																								
	30	46 1/2	48 1/2																										
	36	52 1/2	54 1/2																										
2 1/2	ZNT83208	30																											
		36																											
4-Bolt																													
9	2 11/16	ZNT93211	12	5 1/8	30 1/2	2	32 1/2	4 13/64	4 1/2	3/4	2	4	9 1/4	10 5/8	1 9/16	30	36	42	48	54	1-8 NC	5 1/16	12	6,800	85				
			18		36 1/2		38 1/2																			44 1/2	50 1/2	56 1/2	
	24	42 1/2	44 1/2		50 1/2																								
	30	48 1/2	50 1/2																										
	36	54 1/2	56 1/2																										
10	3 7/16	ZNT103307	12	5 5/8	32	2	34 1/4	4 37/64	4 1/2	3/4	2	4	10	11 3/4	1 23/32	32	38	44	50	56	1 1/8-7 NC	5 3/16	12	8,400	118				
			18		38		40 1/4																			46 1/4	52 1/4	58 1/4	
	24	44	46 1/4		52 1/4																								
30	50	52 1/4																											
36	56	58 1/4																											
11	3 15/16	ZNT113315	12	7	36	2 1/2	38 1/2	5 3/16	5 1/2	3/4	2 1/4	5	12	14 1/2	2 1/16	36 5/16	42 5/16	48 5/16	54 5/16	60 5/16	1 1/4-7 NC	6 3/8	12	15,600	209				
			18		42		44 1/2																			50 1/2	56 1/2	62 1/2	
			24		48		50 1/2																						
			30		54		56 1/2																						
			36		60		62 1/2																						

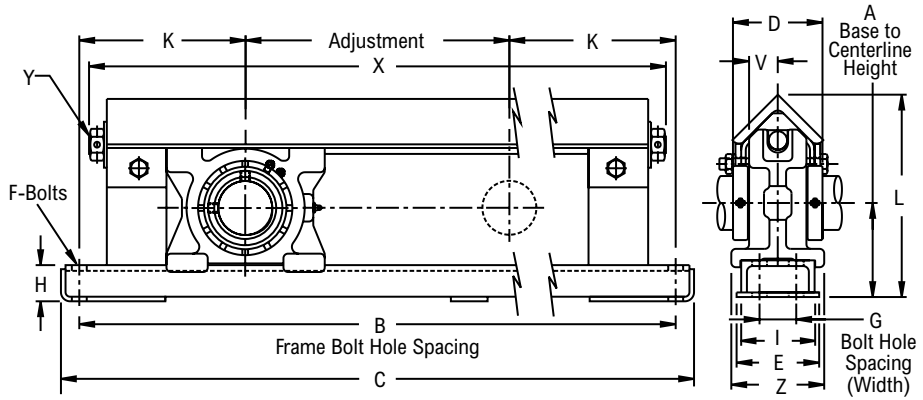
Additional Notes

- Please call 1-866-REXNORD for availability
- Lubrication fitting tap size, 1/8" PT
- Bore size = nominal shaft size +.001 in/-.000 in (+0.03 mm/-0.00 mm)
- Seals - To specify G, K or M seal, replace "Z" in part number with "G", "K" or "M"
- Auxiliary end caps - available in all size codes
- Allowable working load is 2/3 yield strength
- For the Selection Guide, Load Ratings and Speed Limits, see the Spherical Roller Bearings Engineering section on pages 17 - 29.

Note: Dimensions subject to change. Certified dimensions of ordered material furnished on request.



Photo Shows a Protected Screw Type Take-up Frame with Spherical Roller Bearing Take-up Unit



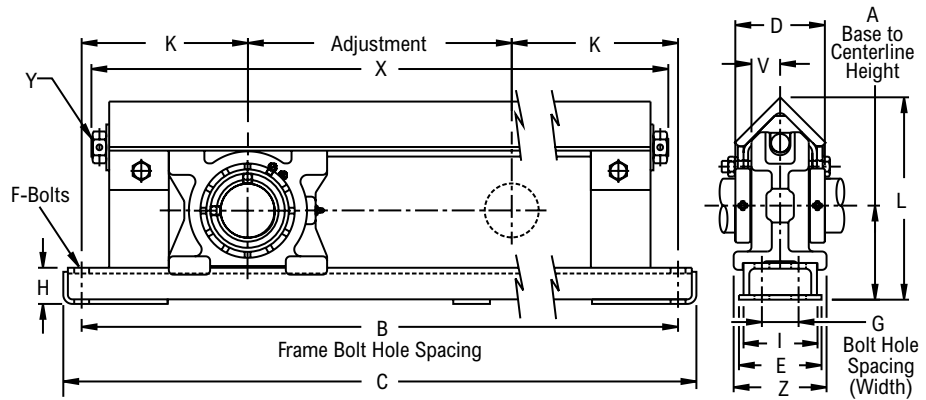
Product Features

- Protected screw type frame
- Corrosion-resistant powder coating
- Cast iron housing
- Misalignment capabilities - total of 3°
- Broad range of sealing options
- Factory set clearance & lubrication
- Precision ground & superfinished raceways
- Field interchangeable seals
- See Features and Benefits for additional info on pages 10 - 13.

Bearing Dimensions

Size Code	Shaft Diameter	Complete Take-up Assembly	Travel Length	A Base to Centerline Height	B Frame Bolt Hole Spacing	G Bolt Hole Spacing (Width)	C	D	E	F	H	I	K	L	V	X	Y	Z	Adjust.	Allowable Working Load	Approx. Weight						
2-Bolt																											
6	1 15/16	ZNT65115	12	3 15/16	26 1/2	-	28 1/2	3 13/16	3 1/2	5/8	1 3/4	3	7 1/4	8 1/4	17/32	25 3/8	3/4-10 NC	3 13/16	12	3,000	47						
			18		32 1/2		34 1/2									40 1/2			46 1/2		52 1/2	31 3/8	37 3/8	43 3/8	49 3/8	18	52
	50 MM	ZNT65050MM	304.80	100.01	673.10	-	723.90	46.04	88.90	15.88	44.45	76.20	184.15	209.55	30.96	644.53	3/4-10 NC		304.80	13344.00	204.08						
			457.20		825.50		876.30									1028.70			1181.10		1282.70	796.93	949.33	1101.73	1254.13	457.20	226.75
			609.60		977.90		1028.70									949.33			609.60		253.96						
			762.00		1130.30		1181.10									1333.50			1101.73		1254.13	762.00	914.40	762.00	285.71		
			914.40		1282.70		1181.10									1254.13			914.40		317.45						
7	2	ZNT75200	12	4 3/16	27 1/2	-	29 1/2	4 1/8	3 1/2	5/8	1 3/4	3	7 3/4	8 11/16	1 9/32	26 3/8	3/4-10 NC	3 13/16	12	3,600	51						
			18		33 1/2		35 1/2									41 1/2			47 1/2		53 1/2	32 3/8	38 3/8	44 3/8	50 3/8	18	56
	2 3/16	ZNT75203	24		39 1/2		41 1/2									38 3/8			24		68						
			30		45 1/2		47 1/2									53 1/2			44 3/8		50 3/8	30	75				
			36		51 1/2		53 1/2								50 3/8			36		80							
			304.80	106.36	698.50	-	749.30	104.78	88.90	15.88	44.45	76.20	196.85	220.66	32.54	669.93	3/4-10 NC		304.80	16012.80	231.29						
			457.20		850.90		901.70									1054.10			1206.50		1358.90	822.33	974.73	1127.13	1279.53	457.20	253.96
	55 MM	ZNT75055MM	609.60		1003.30		1054.10									974.73			609.60		308.38						
			762.00		1155.70		1206.50									1358.90			1127.13		1279.53	762.00	914.40	762.00	340.13		
			914.40		1308.10		1358.90									1279.53			914.40		362.80						
8	2 7/16	ZNT85207	12	4 3/8	28 1/2	-	30 1/2	4 3/8	3 1/2	3/4	1 3/4	3	8 1/4	9 1/8	1 5/16	27 3/4	7/8-9 NC	3 15/16	12	4,400	61						
			18		34 1/2		36 1/2									42 1/2			48 1/2		54 1/2	33 3/4	39 3/4	45 3/4	51 3/4	18	65
	60 MM	ZNT85060MM	304.80	111.13	723.90	-	774.70	111.13	88.90	19.05	44.45	76.20	209.55	231.78	33.34	704.85	7/8-9 NC		304.80	19751.20	276.64						
			457.20		876.30		927.10									1079.50			1231.90		1384.30	857.25	1009.65	1162.05	1314.45	457.20	294.78
	65 MM	ZNT85065MM	609.60		1028.70		1079.50									1009.65			609.60		344.66						
			762.00		1181.10		1231.90									1384.30			1162.05		1314.45	762.00	914.40	762.00	367.34		
			914.40		1333.50		1384.30								1314.45			914.40		394.55							
4-Bolt																											
9	2 1/2	ZNT95208	12	5 1/8	30 1/2	2	32 1/2	4 7/8	4 1/2	3/4	2	4	9 1/4	10 5/8	1 9/16	30	1-8 NC	5 1/16	12	6,800	87						
			18		36 1/2		38 1/2									44 1/2			50 1/2		56 1/2	36	42	48	54	18	95
			24		42 1/2		44 1/2									50 1/2			56 1/2			42	48	54	24	115	
	2 11/16	ZNT95211	30		48 1/2		50 1/2												30		122						
			36		54 1/2		56 1/2																		36	130	

Continued...



Continued...

Bearing Dimensions

Size Code	Shaft Diameter	Complete Take-up Assembly	Travel Length	A Base to Centerline Height	B Frame Bolt Hole Spacing	G Bolt Hole Spacing (Width)	C	D	E	F	H	I	K	L	V	X	Y	Z	Adjust.	Allowable Working Load	Approx. Weight
4-Bolt (continued)																					
9	70 MM	ZNT95070MM	304.80 457.20 609.60	130.18	774.70 927.10	50.80	825.50 977.90	123.83	114.30	19.05	50.80	101.60	234.95	269.88	39.69	762.00 914.40	1-8NC	304.80 457.20	30246.40	394.55 430.83	
		ZNT95075MM	762.00 914.40		1079.50 1231.90 1384.30		1130.30 1282.70 1435.10									1066.80 1219.20 1371.60				553.27 589.55	
10	3 3/16	ZNT105303	12 18 24	5 5/8	32 38	2	34 1/4 40 1/4	5 5/16	4 1/2	3/4	2	4	10	11 3/4	1 23/32	32 38	1 1/8-7NC	5 3/16	12 18	8,400	120 129
		ZNT105307	30 36		44 50 56		46 1/4 52 1/4 58 1/4									44 50 56			147 156 168		
	80 MM	ZNT105080MM	304.80 457.20 609.60	142.88	812.80 965.20	50.80	869.95 1022.35	134.94	114.30	19.05	50.80	101.06	254.00	298.45	43.66	812.80 965.20	1 1/8-7NC	304.80 457.20	37363.20	544.20 585.02	
	85 MM	ZNT105085MM	762.00 914.40		1117.60 1270.00 1422.40		1174.75 1327.15 1479.55									1117.60 1270.00 1422.40				666.65 707.46 761.88	
90 MM	ZNT105090MM	304.80 457.20 609.60	7	36 42	2 1/2	38 1/2 44 1/2	6 1/4	5 1/2	3/4	2 1/4	5	12	14 1/2	2 1/16	36 5/16 42 5/16	1 1/4-7NC	6 3/8	12 18	15,600	211 219	
ZNT115311	12 18	48 54		50 1/2 56 1/2		48 5/16 54 5/16									251 271						
ZNT115400	24 30 36	60	62 1/2	60 5/16	281																
11	100 MM	ZNT115100MM	304.80 457.20 609.60	177.80	914.40 1066.80	63.50	977.90 1130.30	158.75	139.70	19.05	57.15	127.00	304.80	368.30	52.39	922.35 1074.75	1 1/4-7NC	304.80 457.20	69388.80	956.89 993.17	
		ZNT115100MM	762.00 914.40		1219.20 1371.60 1524.00		1282.70 1435.10 1587.50									1227.15 1379.55 1531.95				1138.29 1228.99 1274.34	

Additional Notes

Please call 1-866-REXNORD for availability
 Metric bore sizes available, see Rex Interchangeability guide
 Lubrication fitting tap size, 1/8" PT
 Bore size = nominal shaft size +.001 in/-.000 in (+0.03 mm/-0.00 mm)
 Seals - To specify G, K or M seal, replace "Z" in part number with "G", "K" or "M"
 Auxiliary end caps - available in all size codes
 Allowable working load is 2/3 yield strength

For the Selection Guide, Load Ratings and Speed Limits, see the Spherical Roller Bearings Engineering section on pages 17 - 29.

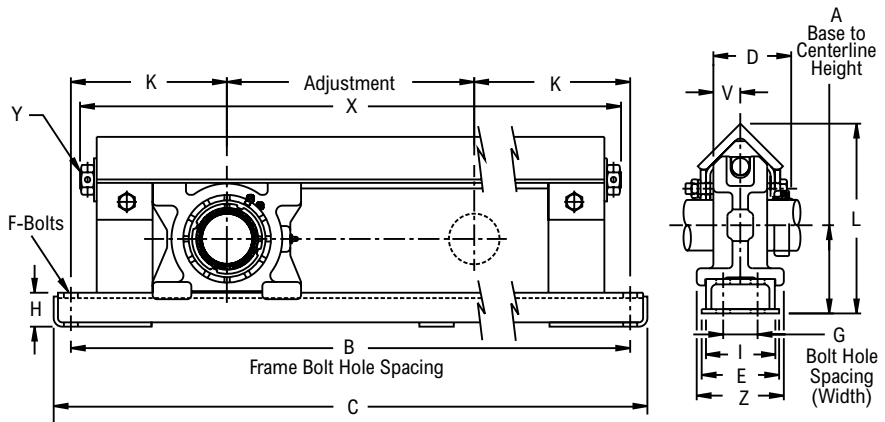
Note: Dimensions subject to change. Certified dimensions of ordered material furnished on request.



Photo Shows a Protected Screw Type Take-up Frame with Spherical Roller Bearing Take-up Unit

Product Features

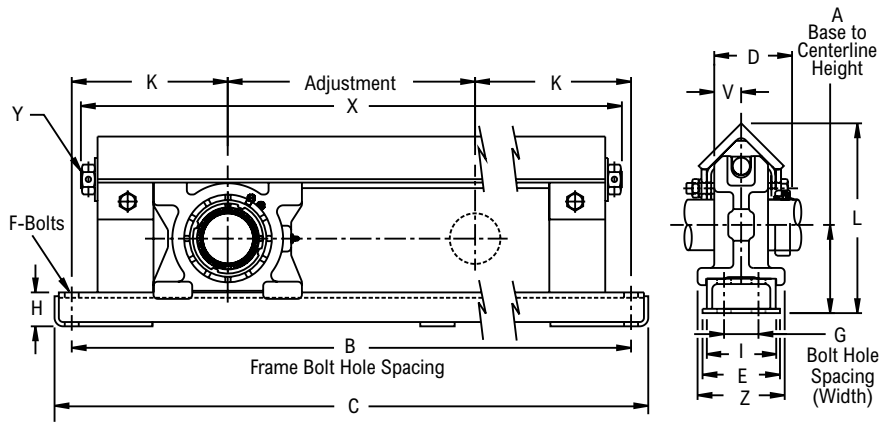
- Positive locking system
- Tapered adapter sleeve
- Protected screw type frame
- Corrosion-resistant powder coating
- Cast iron housing
- Misalignment capabilities - total of 3°
- Broad range of sealing options
- Factory set clearance & lubrication
- See Features and Benefits for additional info on pages 10 - 13.



Bearing Dimensions

Size Code	Shaft Diameter	Complete Take-up Assembly	Travel Length	A Base to Centerline Height	B Frame Bolt Hole Spacing	G Bolt Hole Spacing (Width)	C	D	E	F	H	I	K	L	V	X	Y	Z	Adjust.	Allowable Working Load	Approx. Weight	
2-Bolt																						
6	1 15/16	ZNT66115	12 18 24 30 36	3 15/16	26 1/2 32 1/2 38 1/2 44 1/2 50 1/2	-	28 1/2 34 1/2 40 1/2 46 1/2 52 1/2	3 41/64	3 1/2	5/8	1 3/4	3	7 1/4	8 1/4	1 7/32	25 3/8 31 3/8 37 3/8 43 3/8 49 3/8	3/4-10 NC	3 13/16	12 18 24 30 36	3,000	47 52 58 65 72	
	45 MM	ZNT66045MM	304.80 457.20 609.60 762.00 914.40	100.01	673.10 825.50 977.90 1130.30 1282.70	-	723.90 876.30 1028.70 1181.10 1333.50	92.47	88.90	15.88	44.45	76.20	184.15	209.55	30.96	644.53 796.93 949.33 1101.73 1254.13	3/4-10 NC		304.80 457.20 609.60 762.00 914.40	13,344.00	204.08 226.75 253.96 285.71 317.45	
7	2 3/16	ZNT76203	12 18 24 30 36	4 3/16	27 1/2 33 1/2 39 1/2 45 1/2 51 1/2	-	29 1/2 35 1/2 41 1/2 47 1/2 53 1/2	3 49/64	3 1/2	5/8	1 3/4	3	7 3/4	8 11/16	1 9/32	26 3/8 32 3/8 38 3/8 44 3/8 50 3/8	3/4-10 NC	3 13/16	12 18 24 30 36	3,600	51 56 68 75 80	
	50 MM	ZNT76050MM	304.80 457.20 609.60 762.00 914.40	106.36	698.50 850.90 1003.30 1155.70 1308.10	-	749.30 901.70 1054.10 1206.50 1358.90	95.65	88.90	15.88	44.45	76.20	196.85	220.66	32.54	669.93 822.33 974.73 1127.13 1279.53	3/4-10 NC		304.80 457.20 609.60 762.00 914.40	16,012.80	231.29 253.96 308.38 340.13 362.80	
8	2 3/8	ZNT86206	12 18 24 30 36	4 3/8	28 1/2 34 1/2 40 1/2 46 1/2 52 1/2	-	30 1/2 36 1/2 42 1/2 48 1/2 54 1/2	4 5/32	3 1/2	3/4	1 3/4	3	8 1/4	9 1/8	1 5/16	27 3/4 33 3/4 39 3/4 45 3/4 51 3/4	7/8-9 NC	3 15/16	12 18 24 30 36	4,400	61 65 76 81 87	
	60 MM	ZNT86060MM	304.80 457.20 609.60 762.00 914.40	111.13	723.90 876.30 1028.70 1181.10 1333.50	-	774.70 927.10 1079.50 1231.90 1384.30	105.57	88.90	19.05	44.45	76.20	209.55	231.78	33.34	704.85 857.25 1009.65 1162.05 1314.45	7/8-9 NC		304.80 457.20 609.60 762.00 914.40	19,751.20	276.64 294.78 344.66 367.34 394.55	
4-Bolt																						
9	2 11/16	ZNT96211	12 18	5 1/8	30 1/2 36 1/2	2	32 1/2 38 1/2	4 17/32	4 1/2	3/4	2	4	9 1/4	10 5/8	1 9/16	30 36	1-8 NC	5 1/16	12 18	6,800	87 95	
	2 3/4	ZNT96212	24 30		42 1/2 48 1/2		44 1/2 50 1/2									42 48					12 18	115 122
	2 15/16	ZNT96215	36		54 1/2		56 1/2									54					36	130

Continued...



Continued...

Bearing Dimensions

Size Code	Shaft Diameter	Complete Take-up Assembly	Travel Length	A Base to Centerline Height	B Frame Bolt Hole Spacing	G Bolt Hole Spacing (Width)	C	D	E	F	H	I	K	L	V	X	Y	Z	Adjust.	Allowable Working Load	Approx. Weight
4-Bolt (continued)																					
9	65 MM	ZNT96065MM	304.80 457.20	130.18	774.70 927.10	50.80	825.50 977.90	115.09	114.30	19.05	50.80	101.60	234.95	269.88	39.69	762.00 914.40	1-8NC	304.80 457.20 609.60 762.00 914.40	30,246.40	394.55 430.83	
	70 MM	ZNT96070MM	609.60 762.00		1079.50 1231.90		1130.30 1282.70									1174.75 1327.15				1066.80 1219.20	521.53 553.27
	75 MM	ZNT95075MM	914.40		1384.30		1435.10									1479.55				1371.60	589.55
10	3 ³ / ₁₆	ZNT106303	12	5 ⁵ / ₈	32	2	34 1/4	5 ⁹ / ₆₄	4 1/2	3/4	2	4	10	11 3/4	1 23/32	32	1 1/8-7NC	5 ⁵ / ₁₆	12	8,400	120
			18		38		40 1/4		4 1/2	3/4					38	18					
	24	44	46 1/4		5 9/64		4 1/2		44	24											
	30	50	52 1/4		5 9/64		4 1/2		50	30											
3 ⁷ / ₁₆	ZNT106307	36	56	58 1/4	5 9/64	4 1/2	3/4	2	4	10	11 3/4	1 23/32	56	36	156	168					
80 MM	ZNT106080MM	304.80 457.20	142.88	812.80 965.20	50.80	869.95 1022.35	130.57	114.30	19.05	50.80	101.06	254.00	298.45	43.66	812.80 965.20	1 1/8-7NC	304.80 457.20 609.60 762.00 914.40	37,363.20	544.20 585.02		
		609.60 762.00		1117.60 1270.00		1174.75 1327.15									1117.60 1270.00				666.65 707.46		
		914.40		1422.40		1479.55									1422.40				761.88		
85 MM	ZNT106085MM	914.40	1422.40	1479.55	1479.55	1422.40	761.88														
11	3 ¹¹ / ₁₆	ZNT116311	12	7	36	2 1/2	38 1/2	5 ³¹ / ₃₂	5 1/2	3/4	2 1/4	5	12	14 1/2	2 1/16	36 5/16	1 1/4-7NC	6 3/8	12	15,600	211
			18		42		44 1/2		5 1/2	3/4					42 5/16	18					
	24	48	50 1/2		5 31/32		5 1/2		48 5/16	24											
	30	54	56 1/2		5 31/32		5 1/2		54 5/16	30											
3 ¹⁵ / ₁₆	ZNT116315	36	60	62 1/2	5 31/32	5 1/2	3/4	2 1/4	5	12	14 1/2	2 1/16	60 5/16	36	271	281					
90 MM	ZNT116090MM	304.80 457.20	177.80	914.40 1066.80	63.50	977.90 1130.30	151.61	139.70	19.05	57.15	127.00	304.80	368.30	52.39	922.35 1074.75	1 1/4-7NC	304.80 457.20 609.60 762.00 914.40	69,388.80	956.89 993.17		
		609.60 762.00		1219.20 1371.60		1282.70 1435.10									1227.15 1379.55				1138.29 1228.99		
		914.40		1524.00		1587.50									1531.95				1274.34		
100 MM	ZNT116100MM	914.40	1524.00	1587.50	1587.50	1531.95	1274.34														

Additional Notes

- Please call 1-866-REXNORD for availability
- Lubrication fitting tap size, 1/8" PT
- Bore size = nominal shaft size +.001 in/-.000 in (+0.03 mm/-0.00 mm)
- Seals - To specify G, K or M seal, replace "Z" in part number with "G", "K" or "M"
- Auxiliary end caps - available in all size codes
- Allowable working load is 2/3 yield strength
- For the Selection Guide, Load Ratings and Speed Limits, see the Spherical Roller Bearings Engineering section on pages 17 - 29.

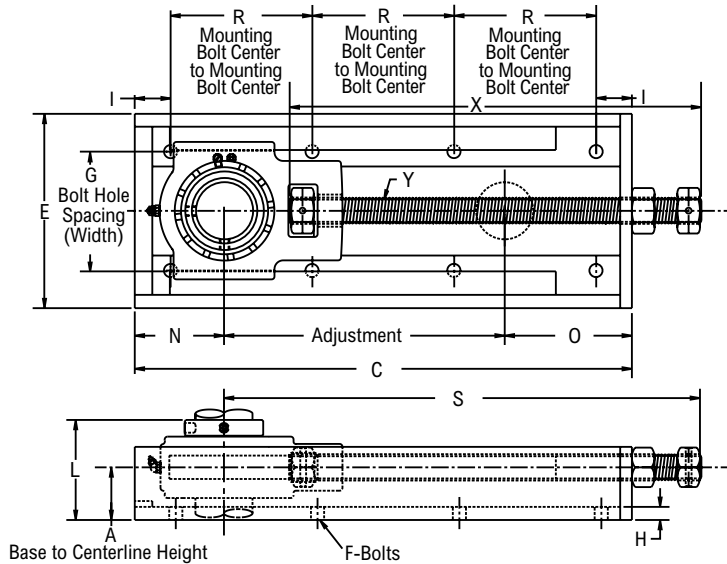
Note: Dimensions subject to change. Certified dimensions of ordered material furnished on request.



Photo Shows a Center Pull, Side Mounted Take-up Frame with Spherical Roller Bearing Take-up Unit

Product Features

- Center pull side mounted frame
- Corrosion-resistant powder coating
- Cast iron housing
- Misalignment capabilities - total of 3°
- Broad range of sealing options
- Factory set clearance & lubrication
- Precision ground & superfinished raceways
- Field interchangeable seals
- See Features and Benefits for additional info on pages 10 - 13.



Bearing Dimensions

Size Code	Shaft Diameter	Part Number	Adjust.	A Base to Centerline Height	G Bolt Hole Spacing (Width)	R Mounting Bolt Center to Mounting Bolt Center	C	E	F	H	I	L	N	O	S	X	Y	Approx. Weight
6-Bolt																		
4	1 7/16	ZAT421079	9	1 7/8	3 9/16	6 7/16	15 7/8	5 3/16	1/2	3/16	1 1/2	3 5/8	3	3 7/8	15	13 1/8	3/4-10 NC	18.40
	35.00	ZAT42035MM9	228.60	47.63	90.49	163.51	403.23	131.76	13.00	4.75	38.10	92.08	76.20	98.43	381.00	333.38	3/4-10 NC	8.30
5	1 11/16	ZAT521119	9	2	4 1/16	7	17	5 13/16	1/2	1/4	1 1/2	3 7/8	3 1/4	4 3/4	16	13 1/2	7/8-9 NC	26.80
	40.00	ZAT52040MM9	228.60	50.80	103.19	177.80	431.80	147.64	13.00	6.35	38.10	98.43	82.55	120.65	406.40	342.90	7/8-9 NC	12.20
6	1 15/16	ZAT621159	9	2	4 1/16	7	17	5 13/16	1/2	1/4	1 1/2	3 7/8	3 1/4	4 3/4	16	13 1/2	7/8-9 NC	27.10
	50.00	ZAT62050MM9	228.60	50.80	103.19	177.80	431.80	147.64	13.00	6.35	38.10	98.43	82.55	120.65	406.40	342.90	7/8-9 NC	12.30
7	2 3/16	ZAT722039	9	2	4 13/16	7 1/2	18	6 9/16	1/2	1/4	1 1/2	4	3 9/16	5 7/16	16 15/16	14 5/16	1-8 NC	33.70
	55.00	ZAT72055MM9	228.60	50.80	122.24	190.50	457.20	166.69	13.00	6.35	38.10	101.60	90.49	138.11	176.21	363.54	1-8 NC	15.30
8-Bolt																		
8	2 7/16	ZAT8220712	12	2 1/4	5 1/16	6 1/16	21 11/16	7 5/16	1/2	5/16	1 3/4	4 7/16	3 13/16	5 7/8	20 3/4	18	1 1/8-7 NC	51.00
	60.00	ZAT82060MM12	304.80	57.15	128.59	153.99	550.86	185.74	13.00	7.94	44.45	112.71	96.84	149.23	527.05	457.20	1 1/8-7 NC	23.20
9	65.00	ZAT82065MM12	304.80	57.15	128.59	153.99	550.86	185.74	13.00	7.94	44.45	112.71	96.84	149.23	527.05	457.20	1 1/8-7 NC	23.20
	2 15/16	ZAT9221512	12	2 7/16	5 3/8	6 1/2	23	8 1/8	1/2	5/16	1 3/4	4 7/8	4 1/4	6 3/4	21 3/4	18 1/2	1 1/4-7 NC	75.00
9	70.00	ZAT92070MM12	304.80	61.91	136.53	165.10	584.20	206.38	13.00	7.94	44.45	123.83	107.95	171.45	552.45	469.90	1 1/4-7 NC	34.00
	75.00	ZAT92075MM12	304.80	61.91	136.53	165.10	584.20	206.38	13.00	7.94	44.45	123.83	107.95	171.45	552.45	469.90	1 1/4-7 NC	34.00

Additional Notes

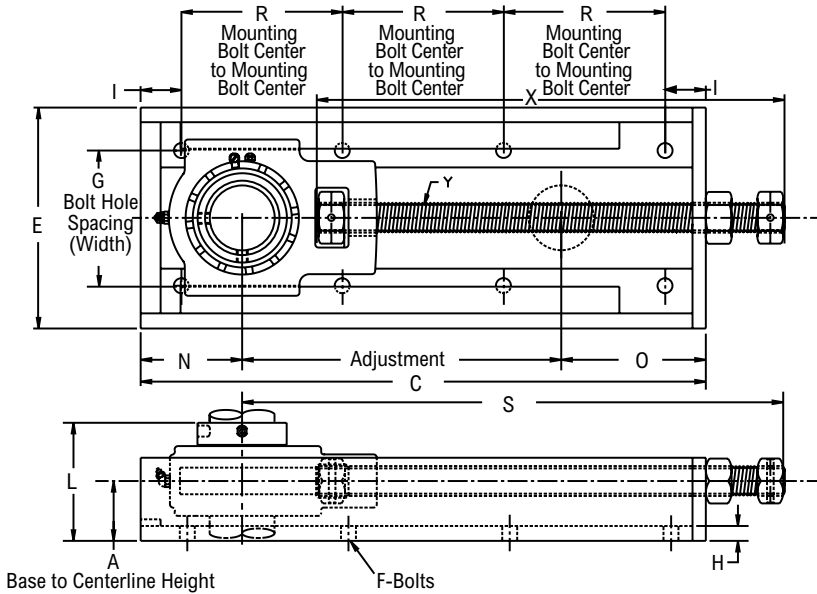
- Please call 1-866-REXNORD for availability
- Metric bore sizes available, see Rex Interchangeability guide
- Lubrication fitting tap size, 1/8" PT
- Bore size = nominal shaft size +.001 in/-.000 in (+0.03 mm/-0.00 mm)
- Seals - To specify G, K or M seal, replace "Z" in part number with "G", "K" or "M"
- Auxiliary end caps - available in all size codes on outboard side only
- For the Selection Guide, Load Ratings and Speed Limits, see the Spherical Roller Bearings Engineering section on pages 17 - 29.

Note: Dimensions subject to change. Certified dimensions of ordered material furnished on request.

ZAT3000



Photo Shows a Center Pull, Side Mounted Take-up Frame with Spherical Roller Bearing Take-up Unit



Product Features

- Center pull side mounted frame
- Corrosion-resistant powder coating
- Cast iron housing
- Misalignment capabilities - total of 3°
- Broad range of sealing options
- Factory set clearance & lubrication
- Precision ground & superfinished raceways
- Field interchangeable seals
- See Features and Benefits for additional info on pages 10 - 13.

Bearing Dimensions

Size Code	Shaft Diameter	Part Number	Adjust.	A Base to Centerline Height	G Bolt Hole Spacing (Width)	R Mounting Bolt Center to Mounting Bolt Center	C	E	F	H	I	L	N	O	S	X	Y	Approx. Weight
6-Bolt																		
4	1 7/16	ZAT431079	9	1 7/8	3 9/16	6 7/16	15 7/8	5 3/16	1/2	3/16	1 1/2	3 5/8	3	3 7/8	15	13 1/8	3/4-10 NC	18.40
5	1 11/16	ZAT531119	9	2	4 1/16	7	17	5 13/16	1/2	1/4	1 1/2	3 7/8	3 1/4	4 3/4	16	13 1/2	7/8-9 NC	26.80
6	1 15/16	ZAT631159	9	2	4 1/16	7	17	5 13/16	1/2	1/4	1 1/2	3 7/8	3 1/4	4 3/4	16	13 1/2	7/8-9 NC	27.10
7	2 3/16	ZAT732039	9	2	4 13/16	7 1/2	18	6 9/16	1/2	1/4	1 1/2	4	3 9/16	5 7/16	16 15/16	14 5/16	1-8 NC	33.70
8-Bolt																		
8	2 7/16	ZAT8320712	12	2 1/4	5 1/16	6 1/16	21 11/16	7 5/16	1/2	5/16	1 3/4	4 7/16	3 13/16	5 7/8	20 3/4	18	1 1/8-7 NC	51.00
9	2 15/16	ZAT9321512	12	2 7/16	5 3/8	6 1/2	23	8 1/8	1/2	5/16	1 3/4	4 7/8	4 1/4	6 3/4	21 3/4	18 1/2	1 1/4-7 NC	75.00

Additional Notes

- Please call 1-866-REXNORD for availability
- Lubrication fitting tap size, 1/8" PT
- Bore size = nominal shaft size +.001 in/-.000 in (+0.03 mm/-0.00 mm)
- Seals - To specify G, K or M seal, replace "Z" in part number with "G", "K" or "M"
- Auxiliary end caps - available in all size codes on outboard side only
- For the Selection Guide, Load Ratings and Speed Limits, see the Spherical Roller Bearings Engineering section on pages 17 - 29.

Note: Dimensions subject to change. Certified dimensions of ordered material furnished on request.

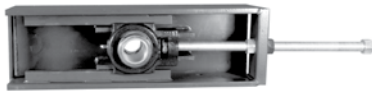
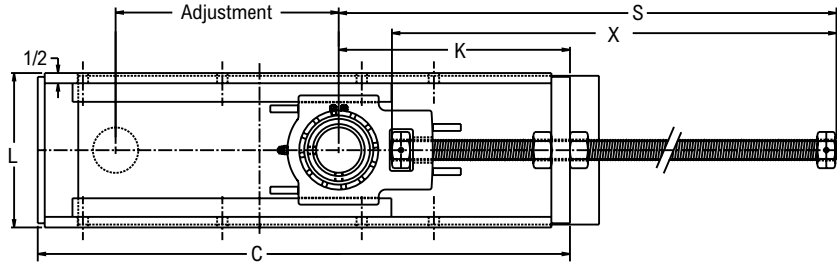
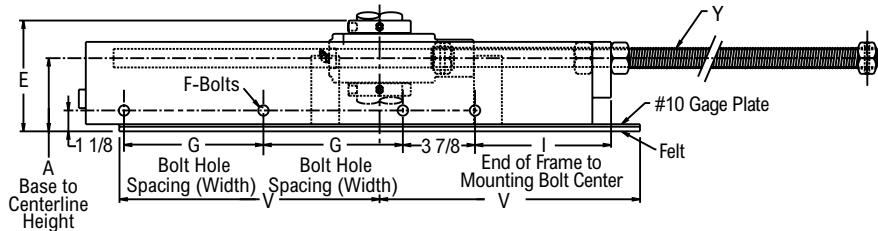


Photo Shows an Elevator Boot Take-up Frame with Spherical Roller Bearing Take-up Unit



Product Features

- Center pull elevator boot frame
- Back plate makes casing dust tight
- Corrosion-resistant powder coating
- Cast iron housing
- Misalignment capabilities - total of 3°
- Broad range of sealing options
- Factory set clearance & lubrication
- Precision ground & superfinished raceways
- Field interchangeable seals
- See Features and Benefits for additional info on pages 10 - 13.



Bearing Dimensions

Size Code	Shaft Diameter	Part Number	A Base to Centerline Height	G Bolt Hole Spacing (Width)	I End of Frame at Rod End to Mounting Bolt Center	C	E	F	K	L	S	V	X	Y	Adjust.	Approx. Weight
6	1 15/16	ZFT651159	3 11/16	6	5 1/2	23 1/2	5 5/8	1/2	10 5/8	7 3/16	21 3/4	11	19 1/2	7/8-9 NC	9	63.00
	50.00	ZFT65050MM9	93.66	152.40	139.70	596.90	142.88	13.00	269.88	182.56	21.75	279.40	495.30	7/8-9 NC	228.60	28.60
8	2 7/16	ZFT8520712	3 15/16	7 1/2	7 5/16	28 5/8	6 1/8	1/2	12 7/16	8 5/16	27	14	24 1/4	1 1/8-7 NC	12	88.00
	60.00	ZFT85060MM12	100.01	190.50	185.74	727.08	155.58	13.00	315.91	211.14	685.80	355.60	615.95	1 1/8-7 NC	304.80	40.00
9	2 1/2	ZFT9520812	4 3/8	7 1/2	8 3/4	30 3/8	6 13/16	1/2	13 7/8	8 5/8	28 5/8	14	25 3/8	1 1/4-7 NC	12	117.00
	2 11/16	ZFT9521112														115.00
	2 15/16	ZFT9521512	111.13	190.50	222.25	771.53	173.04	13.00	352.43	219.08	727.08	355.60	593.73	1 1/8-7 NC	304.80	114.00
	70.00	ZFT95070MM12														52.10
	75.00	ZFT95075MM12														51.80

Additional Notes

- Please call 1-866-REXNORD for availability
- Metric bore sizes available, see Rex Interchangeability guide
- Lubrication fitting tap size, 1/8" PT
- Bore size = nominal shaft size +.001 in/-.000 in (+0.03 mm/-0.00 mm)
- Seals - To specify G, K or M seal, replace "Z" in part number with "G", "K" or "M"
- Auxiliary end caps - available in all size codes
- For the Selection Guide, Load Ratings and Speed Limits, see the Spherical Roller Bearings Engineering section on pages 17 - 29.

Note: Dimensions subject to change. Certified dimensions of ordered material furnished on request.

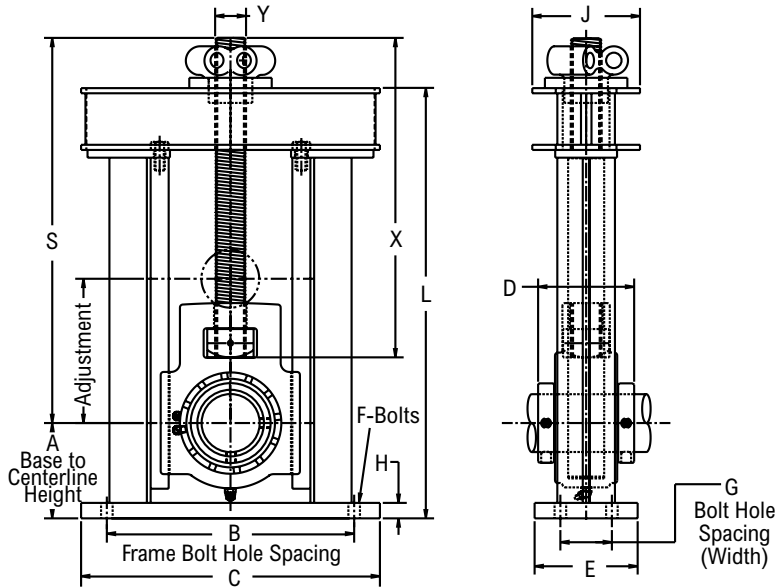
ZGT5000



Photo Shows an Elevator Head Take-up Frame with Spherical Roller Bearing Take-up Unit

Product Features

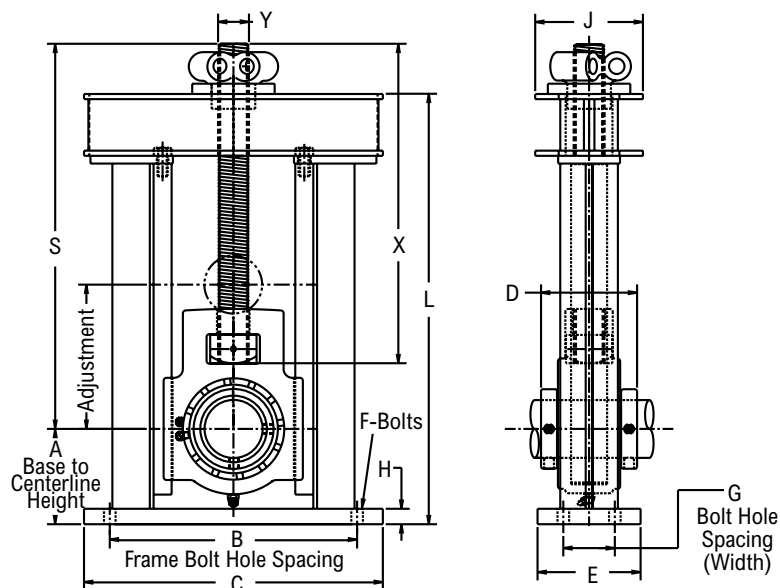
- Center pull elevator head frame
- Corrosion-resistant powder coating
- Cast iron housing
- Misalignment capabilities - total of 3°
- Broad range of sealing options
- Factory set clearance & lubrication
- Precision ground & superfinished raceways
- Field interchangeable seals
- See Features and Benefits for additional info on pages 10 - 13.



Bearing Dimensions

Size Code	Shaft Diameter	Part Number	A Base to Centerline Height	B Frame Bolt Hole Spacing	G Bolt Hole Spacing (Width)	C	D	E	F	H	J	L	S	X	Y	Adjust.	Allowable Working Load	Approx. Weight															
6	1 15/16	ZGT651156	3 5/16	10	1 3/4	12	3 13/16	3 1/2	1/2	1/2	4 15/16	16 1/2	15 7/8	13 5/8	1-8 NC	6	12,300	50.00															
	50.00	ZGT65050MM6	84.14	254.00	44.45	304.80	96.84	88.90	13.00	12.70	125.41	419.10	403.23	346.08	1-8 NC	152.40	5,580	22.70															
8	2 7/16	ZGT852077	4 1/8	11	2	13 1/2	4 3/8	4	5/8	3/4	4 15/16	19 7/16	18 3/4	13 5/8	1 1/4-7 NC	7	20,900	74.00															
	60.00	ZGT85060MM7	104.78	279.40	50.80	342.90	111.13	101.60	16.00	19.05	125.41	493.70	476.25	346.08	1 1/4-7 NC	177.80	9,480	33.50															
9	2 1/2	ZGT952087	4 5/8	12	2 1/2	14 1/2	4 7/8	5	5/8	3/4	5 1/4	20 7/8	17 7/8	15 1/2	1 1/2-6 NC	7	26,800	103.00															
	2 11/16	ZGT952117																101.00															
	2 15/16	ZGT952157																100.00															
	70.00	ZGT95070MM7																117.48	304.80	63.50	368.30	123.83	127.00	16.00	19.05	133.35	530.23	454.03	393.70	1 1/2-6 NC	177.80	12,100	45.80
75.00	ZGT95075MM7	117.48	304.80	63.50	368.30	123.83	127.00	16.00	19.05	133.35	530.23	454.03	393.70	1 1/2-6 NC	177.80	12,100	44.80																
10	3 3/16	ZGT10530310	5 1/8	13	3	16	5 5/16	5	3/4	3/4	6	25 1/16	23 3/16	19 1/2	1 3/4-5 NC	10	27,300	140.00															
	3 7/16	ZGT10530710																138.00															
	80.00	ZGT105080MM10																130.18	330.20	76.20	406.40	134.94	127.00	19.00	19.05	152.40	636.59	588.96	495.30	1 3/4-5 NC	254.00	12,400	64.00
	85.00	ZGT105085MM10																130.18	330.20	76.20	406.40	134.94	127.00	19.00	19.05	152.40	636.59	588.96	495.30	1 3/4-5 NC	254.00	12,400	63.50
90.00	ZGT105090MM10	130.18	330.20	76.20	406.40	134.94	127.00	19.00	19.05	152.40	636.59	588.96	495.30	1 3/4-5 NC	254.00	12,400	63.00																
11	3 11/16	ZGT11531110	5 13/16	14	3	17	6 1/8	5	3/4	3/4	8 1/4	27 3/4	26 7/16	22	2-4 1/2 NC	10	45,400	214.00															
	3 15/16	ZGT11531510																211.00															
	4	ZGT11540010																210.00															
	100.00	ZGT115100MM10																147.64	355.60	76.20	431.80	155.58	127.00	19.00	19.05	209.55	704.85	671.51	558.80	1 3/4-5 NC	254.00	20,600	96.00
4 7/16	ZGT125407Y10	6 13/16	17	3 1/2	20	6 1/4	6	7/8	3/4	9 1/4	32 1/4	29 1/2	24 1/2	2-4 1/2 NC	10 1/2	53,700	260.00																
110.00	ZGT125110MM10	173.16	431.80	88.90	508.00	158.75	152.40	22.00	19.05	234.95	819.15	749.30	622.30	2-4 1/2 NC	266.70	24,300	118.00																
115.00	ZGT125115MM10	173.16	431.80	88.90	508.00	158.75	152.40	22.00	19.05	234.95	819.15	749.30	622.30	2-4 1/2 NC	266.70	24,300	117.00																
13	4 15/16	ZGT13541510	7 3/16	18	3 1/2	21	7 7/8	6	7/8	3/4	9 7/16	34 5/8	31 3/4	26 5/16	2 1/4- 4 1/2 NC	10 1/2	68,000	329.00															
	5	ZGT13550010																326.00															
	125.00	ZGT135125MM10																182.56	457.20	88.90	533.40	200.03	152.40	22.00	19.05	239.71	879.48	806.45	668.34	2-4 1/2 NC	266.70	30,800	149.00
	130.00	ZGT135130MM10																182.56	457.20	88.90	533.40	200.03	152.40	22.00	19.05	239.71	879.48	806.45	668.34	2-4 1/2 NC	266.70	30,800	148.00
5 7/16	ZGT14550710	9 11/16	23	7	31	8	10	1 1/8	1	10 1/2	44 7/8	42 1/4	35	3-4 NC	10 1/2	125,000	1,200.00																
140.00	ZGT145140MM10	246.06	584.20	177.80	787.40	203.20	254.00	28.00	25.40	266.70	1,139.83	1,073.15	889.00	2 1/4- 4 1/2 NC	266.70	56,200	545.00																
15	5 15/16	ZGT15551510	9 11/16	23	7	31	8 1/8	10	1 1/8	1	10 1/2	44 7/8	42 1/4	35	3-4 NC	10 1/2	125,000	1,200.00															
	6	ZGT15560010																1,200.00															
	150.00	ZGT155150MM10																246.06	584.20	177.80	787.40	206.38	254.00	28.00	25.40	266.70	1,139.83	1,073.15	889.00	3-4 NC	266.70	56,200	545.00
	160.00	ZGT155160MM10																246.06	584.20	177.80	787.40	206.38	254.00	28.00	25.40	266.70	1,139.83	1,073.15	889.00	3-4 NC	266.70	56,200	545.00
6 7/16	ZGT16560710	9 11/16	23	7	31	8 3/4	10	1 1/8	1	10 1/2	44 7/8	42 1/4	35	3-4 NC	10 1/2	125,000	1,200.00																
6 15/16	ZGT16561510																1,200.00																

Continued...



Continued...

Bearing Dimensions

Size	Shaft Diameter	Part Number	A Base to Centerline Height	B Frame Bolt Hole Spacing	G Bolt Hole Spacing (Width)	C	D	E	F	H	J	L	S	X	Y	Adjust.	Allowable Working Load	Approx. Weight
16	7	ZGT16570010	9 ¹¹ / ₁₆	23	7	31	8 ³ / ₄	10	1 ¹ / ₈	1	10 ¹ / ₂	44 ⁷ / ₈	42 ¹ / ₄	35	3-4 NC	10 ¹ / ₂	125,000	1,200.00
	180.00	ZGT165180MM10	246.06	584.20	177.80	787.40	222.25	254.00	28.00	25.40	266.70	1,139.83	1,073.15	889.00	3-4 NC	266.70	56,200	545.00

Additional Notes

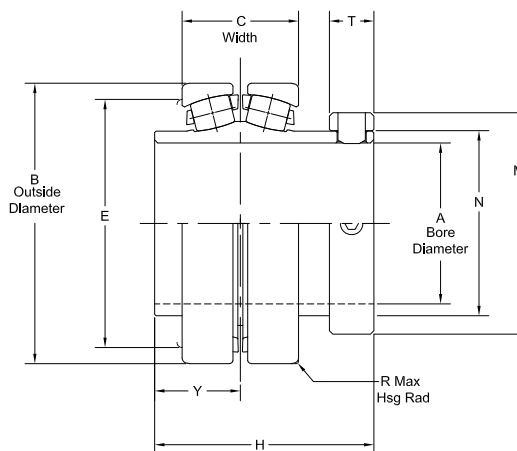
- Please call 1-866-REXNORD for availability
- Metric bore sizes available, see Rex Interchangeability guide
- Lubrication fitting tap size, 1/8" PT
- Bore size = nominal shaft size +.001 in/-.000 in (+0.03 mm/-0.00 mm)
- Seals - To specify G, K or M seal, replace "Z" in part number with "G", "K" or "M"
- "G" seals available in size codes 6 thru 13
- "K" seals available in size codes 6 thru 11

- Auxiliary end caps - available in all size codes
- Allowable working load is 2/3 yield strength
- For the Selection Guide, Load Ratings and Speed Limits, see the Spherical Roller Bearings Engineering section on pages 17 - 29.
- Note: Dimensions subject to change. Certified dimensions of ordered material furnished on request.

2000U



Photo Shows an Unmounted Spherical Roller Bearing



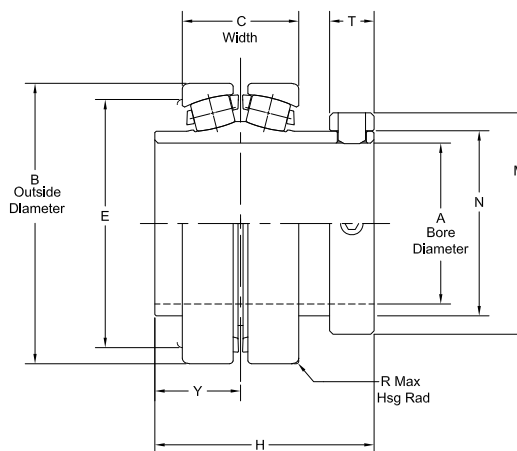
Product Features

- Precision ground & superfinished raceways
- Hardened spring locking collar
- Self aligning
- See Features and Benefits for additional info on pages 10 - 13.

Bearing Dimensions

Size Code	Shaft Diameter	Part Number	A Bore Diameter	B Outside Diameter	C Width	E	H	M	N	R Housing Max	T	Y	Approx. Weight
2	3/4	2012U	0.7500	2.3755	1.19	2.00	2.57	1.74	1.31	0.04	0.5	1.00	1.30
	15/16	2015U	0.9375										
	1	2100U	1.0000										
	25.00	2025MMU	25.00	60.3377	30.1752	50.800	65.075	44.069	33.198	1.168	12.700	25.400	0.60
3	1 1/8	2102U	1.1250	2.6255	1.31	2.31	2.69	1.96	1.53	0.05	0.5	1.06	1.80
	1 3/16	2103U	1.1875										
	1 1/4	2104U	1.2500										
	30.00	2030MMU	30.00	66.6877	33.3248	58.750	68.275	49.784	38.913	1.575	12.700	26.975	0.80
4	1 7/16	2107U	1.4375	2.8350	1.31	2.50	2.88	2.30	1.75	0.05	0.63	1.09	2.20
	1 1/2	2108U	1.5000										
	35.00	2035MMU	35.00										
5	1 11/16	2111U	1.6875	3.3469	1.58	2.88	3.13	2.58	2.03	0.05	0.63	1.22	3.20
	1 3/4	2112U	1.7500										
	40.00	2040MMU	40.00										
6	1 15/16	2115U	1.9375	3.5438	1.53	3.19	3.13	2.88	2.31	0.05	0.63	1.22	3.30
	2	2200U	2.0000										
	50.00	2050MMU	50.00										
7	2 3/16	2203U	2.1875	3.9375	1.66	3.50	3.32	3.25	2.62	0.05	0.75	1.25	4.60
	2 1/4	2204U	2.2500										
	55.00	2055MMU	55.00										
8	2 3/8	2206U	2.3750	4.3312	1.75	3.88	3.51	3.55	2.90	0.05	0.81	1.31	5.80
	2 7/16	2207U	2.4375										
	2 1/2	2208U	2.5000										
	60.00	2060MMU	60.00										
	65.00	2065MMU	65.00										
9	2 11/16	2211U	2.6875	5.1177	2.13	4.53	4.00	4.04	3.37	0.05	0.81	1.56	9.50
	2 3/4	2212U	2.7500										
	2 15/16	2215U	2.9375										
	3	2300U	3.0000										
	70.00	2070MMU	70.00										
	75.00	2075MMU	75.00										

Continued...



Continued...

Bearing Dimensions

Size Code	Shaft Diameter	Part Number	A Bore Diameter	B Outside Diameter	C Width	E	H	M	N	R Housing Max	T	Y	Approx. Weight
10	3 3/16	2303U	3.1875	5.9050	2.31	5.34	4.39	4.90	3.98	0.05	0.81	1.72	13.50
	3 7/16	2307U	3.4375										
	3 1/2	2308U	3.5000	149.9870	58.7502	135.738	111.125	124.562	100.965	3.175	20.676	43.663	6.10
	80.00	2080MMU	80.00										
	90.00	2090MMU	90.00										
11	3 11/16	2311U	3.6875	7.0861	2.75	6.38	5.20	5.63	4.56	0.05	1.00	2.00	24.00
	3 15/16	2315U	3.9375										
	4	2400U	4.0000	179.9869	69.8500	161.925	128.5494	142.875	115.875	3.175	25.400	50.800	10.90
	90.00	2B090MMU	100.00										
	100.00	2100MMU											

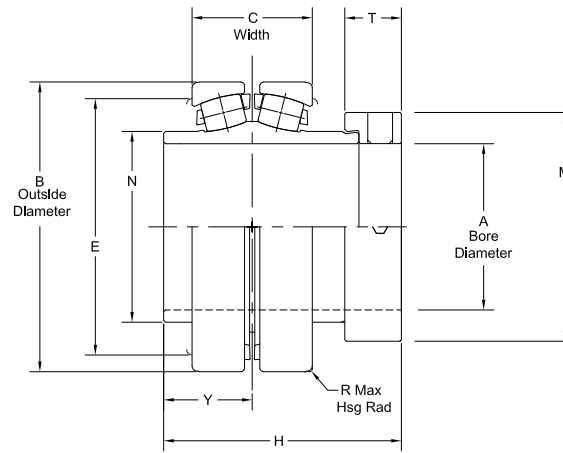
Additional Notes

- Please call 1-866-REXNORD for availability
- Metric bore sizes available, see Rex Interchangeability guide
- Bearing O.D. tolerance, +.0000 in/- .0010 in (+0.000 mm/-0.030 mm)
- Bore tolerance for all size codes, +.0010 in/- .0000 in (+0.030 mm/-0.000 mm)
- For the Selection Guide, Load Ratings and Speed Limits, see the Spherical Roller Bearings Engineering section on pages 17 - 29.
- Note: Dimensions subject to change. Certified dimensions of ordered material furnished on request.

3000U



Photo Shows an Unmounted Spherical Roller Bearing



Product Features

- Precision ground & superfinished raceways
- Eccentric locking collar
- Self aligning
- See Features and Benefits for additional info on pages 10 - 13.

Bearing Dimensions

Size Code	Shaft Diameter	Part Number	A Bore Diameter	B Outside Diameter	C Width	E	H	M	N	R Housing Max	T	Y	Approx. Weight
4	1 7/16	3107U	1.4375	2.8350	1.31	2.50	2.92	2.30	1.75	0.05	0.66	1.09	2.40
5	1 11/16	3111U	1.6875	3.3469	1.58	2.88	3.18	2.58	2.03	0.05	0.68	1.22	3.40
6	1 15/16	3115U	1.9375	3.5438	1.53	3.19	3.28	2.75	2.31	0.05	0.72	1.22	3.50
7	2 3/16	3203U	2.1875	3.9375	1.66	3.50	3.50	3.25	2.62	0.05	0.92	1.25	4.90
8	2 7/16	3207U	2.4375	4.3312	1.75	3.88	3.65	3.55	2.90	0.05	0.94	1.31	6.00
	2 1/2	3208U	2.5000										
9	2 11/16	3211U	2.6875	5.1177	2.13	4.53	4.20	4.04	3.37	0.05	1.00	1.56	9.50
	2 15/16	3215U	2.9375										
10	3 7/16	3307U	3.4375	5.9050	2.31	5.34	4.57	4.90	3.98	0.05	1.00	1.72	13.00
	3 1/2	3308U	3.5000										
11	3 15/16	3315U	3.9375	7.0861	2.75	6.38	5.19	5.63	4.56	0.05	1.00	2.00	23.20

Additional Notes

- Please call 1-866-REXNORD for availability
- Bearing O.D. tolerance, +.0000 in/-.0010 in (*+0.000 mm/-0.030 mm*)
- Bore tolerance for all size codes, +.0010 in/-.0000 in (*+0.030 mm/-0.000 mm*)
- For the Selection Guide, Load Ratings and Speed Limits, see the Spherical Roller Bearings Engineering section on pages 17 - 29.
- Note: Dimensions subject to change. Certified dimensions of ordered material furnished on request.

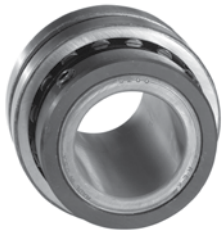
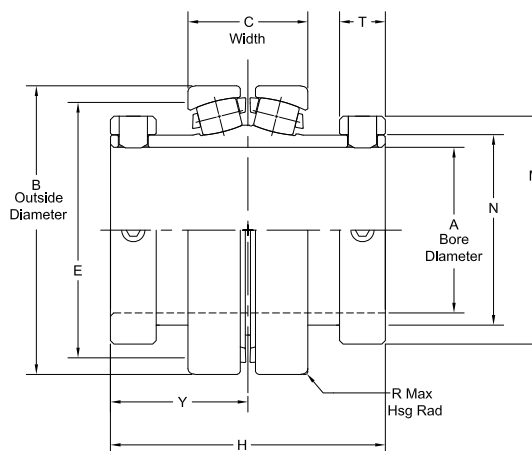


Photo Shows an Unmounted Spherical Roller Bearing



Product Features

- Precision ground & superfinished raceways
- Two hardened spring locking collars
- Self aligning
- See Features and Benefits for additional info on pages 10 - 13.

Bearing Dimensions

Size Code	Shaft Diameter	Part Number	A Bore Diameter	B Outside Diameter	C Width	E	H	M	N	R Housing Max	T	Y	Approx. Weight
4	1 ⁷ / ₁₆	5107U	1.4375	2.8350	1.31	2.50	3.45	2.30	1.75	0.05	0.63	1.78	2.70
	1 ¹ / ₂	5108U	1.5000										
5	1 ¹¹ / ₁₆	5111U	1.6875	3.3469	1.58	2.88	3.81	2.58	2.03	0.05	0.63	1.91	4.00
	1 ¹⁵ / ₁₆	5115U	1.9375										
6	2	5200U	2.0000	3.5438	1.53	3.19	3.81	2.88	2.31	0.05	0.63	1.91	4.10
	2 ³ / ₁₆	5203U	2.1875										
7	2 ⁷ / ₁₆	5207U	1.4375	4.3312	1.75	3.88	4.37	3.55	2.90	0.05	0.81	2.19	6.80
	2 ¹ / ₂	5208U	2.5000										
9	2 ¹¹ / ₁₆	5211U	2.6875	5.1177	2.13	4.53	4.87	4.04	3.37	0.05	0.81	2.44	11.50
	2 ³ / ₄	5212U	2.7500										
	2 ¹⁵ / ₁₆	5215U	2.9375										
10	3 ³ / ₁₆	5303U	3.1875	5.9050	2.31	5.34	5.32	4.90	3.98	0.05	0.81	2.66	16.00
	3 ⁷ / ₁₆	5307U	3.4375										
11	3 ¹¹ / ₁₆	5311U	3.6875	7.0861	2.75	6.38	6.25	5.63	4.56	0.05	1.00	3.06	26.00
	3 ¹⁵ / ₁₆	5315U	3.9375										
	4	5400U	4.0000										
12	4 ³ / ₁₆	5403YU	4.1875	7.6791	2.79	6.88	6.25	6.19	5.03	0.05	1.00	3.13	29.50
	4 ⁷ / ₁₆	5407YU	4.4375										
	4 ¹ / ₂	5408YU	4.5000										
13	4 ¹⁵ / ₁₆	5415U	4.9375	9.0550	3.56	8.00	7.88	7.05	5.75	0.05	1.06	3.94	61.00
	5	5500U	5.0000										
14	5 ⁷ / ₁₆	5507U	5.4375	10.6322	3.91	9.25	8.00	8.19	6.50	0.05	1.19	4.00	79.00
	5 ¹⁵ / ₁₆	5515U	5.9375										
15	6	5600U	6.0000	11.4196	4.01	10.13	8.13	8.64	7.20	0.05	1.13	4.07	95.00
	6 ⁷ / ₁₆	5607U	6.4375										
16	6 ¹ / ₂	5608U	6.5000	12.6006	4.28	11.25	8.75	9.72	8.05	0.06	1.19	4.38	112.00
	6 ¹⁵ / ₁₆	5615U	6.9375										
	7	5700U	7.0000										

Additional Notes

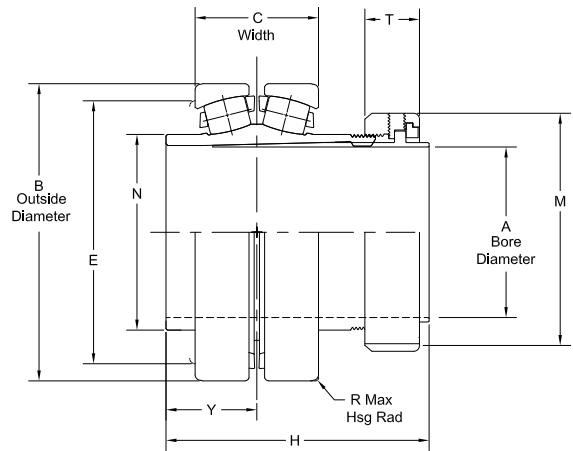
- Please call 1-866-REXNORD for availability
- Metric bore sizes available, see Rex Interchangeability guide
- Bearing O.D. tolerance for size codes 4 thru 13, +.0000 in/- .0010 in (+0.000 mm/-0.030 mm); for all other size codes, +.0000 in/- .0015 in (+0.000 mm/-0.038 mm)
- Bore tolerance for all size codes, +.0010 in/- .0000 in (+0.030 mm/-0.000 mm)
- For the Selection Guide, Load Ratings and Speed Limits, see the Spherical Roller Bearings Engineering section on pages 17 - 29.

Note: Dimensions subject to change. Certified dimensions of ordered material furnished on request.

6000U



Photo Shows an Unmounted Spherical Roller Bearing



Product Features

- Positive locking system
- Tapered adapter sleeve
- Precision ground & superfinished raceways
- Self aligning
- See Features and Benefits for additional info on pages 10 - 13.

Bearing Dimensions

Size Code	Shaft Diameter	Part Number	A Bore Diameter	B Outside Diameter	C Width	E	H	M	N	R Housing Max	T	Y	Approx. Weight
4	1 7/16	6107U	1.4375	2.8350	1.31	2.50	3.33	2.38	1.75	0.05	0.79	1.10	1.7
	35.00	6035MMU	35.00	72.0090	33.274	63.500	84.5820	60.72	44.450	1.981	20.066	27.940	0.80
5	1 11/16	6111U	1.6875	3.3469	1.58	2.88	3.74	2.64	2.03	0.05	0.81	1.23	2.7
	40.00	6040MMU	40.00	85.0113	40.132	73.152	94.9960	67.07	51.562	1.981	20.574	31.242	1.20
6	1 15/16	6115U	1.9375	3.5438	1.53	3.19	3.64	2.86	2.31	0.05	0.77	1.29	3.30
	45.00	6045MMU	45.00	90.0125	38.760	80.975	92.4204	72.746	58.598	1.981	19.685	32.868	1.50
7	2 3/16	6203U	2.1875	3.9375	1.66	3.50	3.77	3.24	2.62	0.05	0.82	1.25	4.60
	50.00	6050MMU	50.00	100.0125	42.0624	88.900	93.4568	81.991	66.548	1.575	20.904	31.750	2.10
	55.00	6055MMU	55.00										
8	2 3/8	6206U	2.3750	4.3312	1.75	3.88	4.16	3.59	2.90	0.05	0.90	1.31	5.80
	2 7/16	6207U	2.4375										
	60.00	6060MMU	60.00	110.0125	44.450	98.425	103.0478	91.262	73.685	1.981	22.885	33.325	2.60
9	2 11/16	6211U	2.6875	5.1177	2.13	4.53	4.53	4.09	3.37	0.05	0.94	1.56	9.50
	2 3/4	6212U	2.7500										
	2 15/16	6215U	2.9375	129.9896	53.9750	115.087	115.1001	104.140	85.598	1.981	23.876	39.726	4.30
	65.00	6065MMU	65.00										
70.00	6070MMU	70.00	75.00	6075MMU	75.00								
10	3 3/16	6303U	3.1875	5.9050	2.31	5.34	5.14	4.95	3.98	0.05	1.09	1.73	13.50
	3 7/16	6307U	3.4375										
	80.00	6080MMU	80.00	149.9870	58.7502	135.738	127.7798	125.730	100.965	3.175	27.661	43.815	6.10
11	3 11/16	6311U	3.6875	7.0861	2.75	6.38	5.97	5.67	4.56	0.05	1.22	2.00	24.00
	3 15/16	6315U	3.9375										
	90.00	6090MMU	100.00	179.9869	69.8500	161.925	147.0228	144.018	115.875	3.175	31.039	50.800	10.90
	100.00	6100MMU											
12	4 3/16	6403YU	4.1875	7.6791	2.79	6.88	6.25	6.06	5.03	0.05	1.30	2.25	29.50
	4 7/16	6407YU	4.4375										
	110.00	6110MMU	110.00	195.0491	68.0491	174.752	158.8872	154.026	127.813	3.175	33.096	57.150	13.40
13	4 15/16	6415U	4.9375	9.0550	3.56	8.00	7.93	6.95	5.75	0.05	1.55	2.91	61.00
	115.00	6115MMU	115.00										
	125.00	6125MMU	125.00										
14	5 7/16	6507U	5.4375	10.6322	3.97	9.25	8.77	8.02	6.50	0.05	2.01	2.92	79.00
15	5 15/16	6515U	5.9375	11.4196	7.01	10.13	9.30	8.66	7.20	0.05	2.21	2.93	95.00
	6 7/16	6607U	6.4375										
16	6 1/2	6608U	6.5000	12.6006	4.27	11.25	10.00	9.75	8.05	0.06	2.42	3.25	112.00
	6 15/16	6615U	6.9375										

Additional Notes

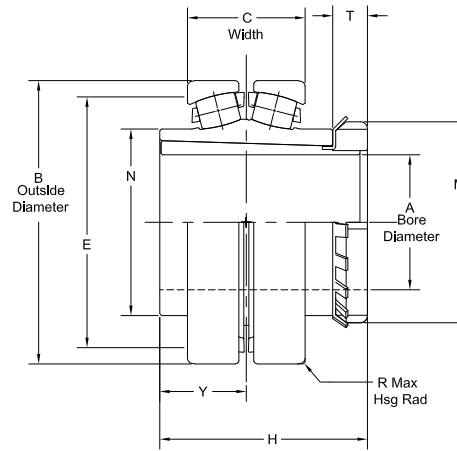
- Please call 1-866-REXNORD for availability
- Bearing O.D. tolerance, +.0000 in/-.0010 in (+0.000 mm/-0.030 mm)
- Bore tolerance for all size codes, +.0010 in/-.0000 in (+0.030 mm/-0.000 mm)

For the Selection Guide, Load Ratings and Speed Limits, see the Spherical Roller Bearings Engineering section on pages 17 - 29.

Note: Dimensions subject to change. Certified dimensions of ordered material furnished on request.



Photo Shows an Unmounted Spherical Roller Bearing



Product Features

- Precision ground & superfinished raceways
- Enhanced life mounting style
- Self aligning
- See Features and Benefits for additional info on pages 10 - 13.

Bearing Dimensions

Size Code	Shaft Diameter	Part Number	A Bore Diameter	B Outside Diameter	C Width	E	H	M	N	R Housing Max	T	Y	Approx. Weight
7	1 15/16	9115U	1.9375	3.9375	1.66	3.50	3.14	2.97	2.62	0.05	0.55	1.25	4.20
	2	9200U	2.0000										
8	2 3/16	9203U	2.1875	4.3312	1.75	3.88	3.34	3.38	2.90	0.05	0.62	1.31	5.30
	2 7/16	9207U	2.4375										
9	2 1/2	9208U	2.5000	5.1177	2.13	4.53	3.74	3.63	3.37	0.05	0.63	1.56	7.80
	2 11/16	9211U	2.6875										
10	2 15/16	9215U	2.9375	5.9050	2.31	5.34	4.25	4.41	3.98	0.05	0.72	1.72	13.00
	3	9300U	3.0000										
	3 3/16	9303U	3.1875										
11	3 7/16	9307U	3.4375	7.0861	2.75	6.38	5.07	5.19	4.56	0.05	0.83	2.00	25.00
	3 11/16	9311YU	3.6875										
	3 15/16	9315YU	3.9375										
12	4	9400YU	4.0000	7.6791	2.79	6.88	5.41	5.72	5.03	0.05	0.89	2.38	25.00
	4 3/16	9403U	4.1875										
	4 7/16	9407U	4.4375										
13	4 15/16	9415U	4.9375	10.6322	3.98	9.25	7.19	7.09	6.50	0.05	1.05	2.93	69.00
	5	9500U	5.0000										
	5 3/16	9503U	5.1875										
14	5 7/16	9507U	5.4375	11.4196	4.01	10.13	7.57	8.06	7.20	0.05	1.18	2.94	85.00
	5 15/16	9515U	5.9375										
	6	9600U	6.0000										
15	6 7/16	9607U	6.4375	12.6006	4.28	11.25	7.75	9.06	8.05	0.06	1.24	3.25	104.00
	6	9600U	6.0000										

Additional Notes

- Please call 1-866-REXNORD for availability
- Bearing O.D. tolerance for size codes 7 thru 13, +.0000 in/-0.0010 in (+0.000 mm/-0.030 mm); for all other size codes, +.0000 in/-0.0015 in (+0.000 mm/-0.038 mm)
- Bore tolerance for all size codes, +.0010 in/-0.0000 in (+0.030 mm/-0.000 mm)
- For the Selection Guide, Load Ratings and Speed Limits, see the Spherical Roller Bearings Engineering section on pages 17 - 29.
- Note: Dimensions subject to change. Certified dimensions of ordered material furnished on request.

Rex Replacement Kits



Set Collar Kit



Eccentric Locking Collar Kit



Threaded Cover Kit



Adapter Sleeve Kit



Z Seal Kit - Contains 2 Seal Assemblies



K Seal Kit - Contains 2 Seal Assemblies



M Seal Kit - Contains 2 Seal Assemblies



G Seal Kit - Contains 2 Seal Assemblies



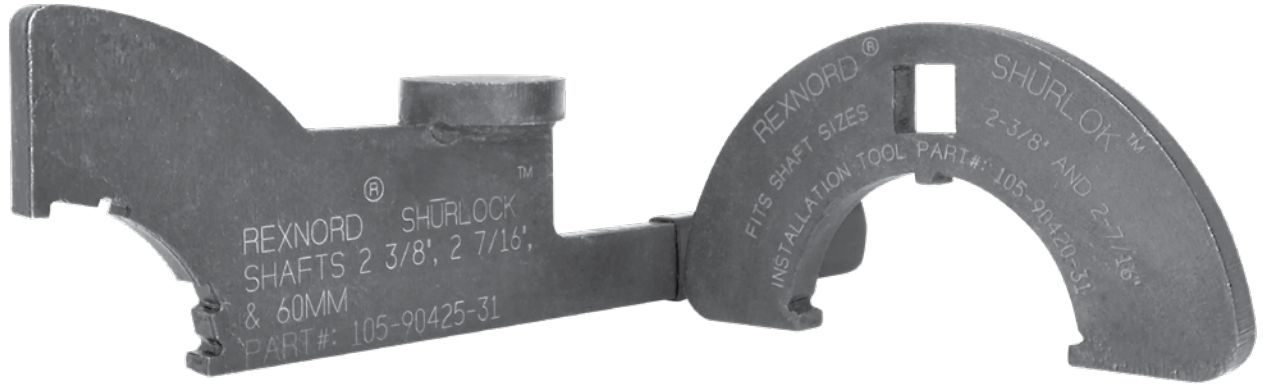
Microlock Assembly Kit

Part Numbers

Size Code	Z	K	M	G	Threaded Cover Kit	Set Collar Kit	Eccentric Locking Collar Kit	Microlock Assembly Kit	6000 Series Adapter Assembly Kit	Adapter Assembly Kit
2	ZS2	KS2	MS2	-	TC2	SC2	-	ML2	-	-
3	ZS3	KS3	MS3	GS3	TC3	SC3	-	ML2	-	-
4	ZS4	KS4	MS4	GS4	TC4	SC4	SC3107	ML2	AK46107	-
5	ZS5	KS5	MS5	GS5	TC5	SC5	SC3111	ML2	AK56111	-
6	ZS6	KS6	MS6	GS6	TC6	SC6	SC3115	ML2	AK66115	-
7	ZS7	KS7	MS7	GS7	TC7	SC7	SC3203	ML2	AK76203	AK7115 AK7200
8	ZS8	KS8	MS8	GS8	TC8	SC8	SC3207 SC3208	ML3	AK86207	AK8203
9	ZS9	KS9	MS9	GS9	TC9	SC9	SC3211 SC3215	ML3	AK96215	AK9207 AK9208
10	ZS10	KS10	MS10	GS10	TC10	SC10	SC3307 SC3308	ML4*	AK106307	AK10211 AK10215 AK10300
11	ZS11	KS11	MS11	GS11	TC11	SC11	SC3315	ML4	AK116315	AK11303 AK11307 AK11308
12	ZS12Y	-	MS12Y	GS12	TC12Y	SC12Y	-	ML4	AK126407Y	AK12311Y AK12315Y AK12400Y
13	ZS13	-	MS13	GS13	TC13	SC13	-	ML4	AK136415	AK13403 AK13407
14	ZS14NEW	-	MS14	-	TC14NEW	SC14	-	ML4	AK146507	AK14415 AK14500
15	ZS15NEW	-	MS15	-	TC15NEW	SC15	-	ML4	AK156515	AK15503 AK15507
16	ZS16NEW	-	MS16	-	TC16NEW	SC16	-	ML4	AK166607 AK166615	AK16515 AK16600 AK16607

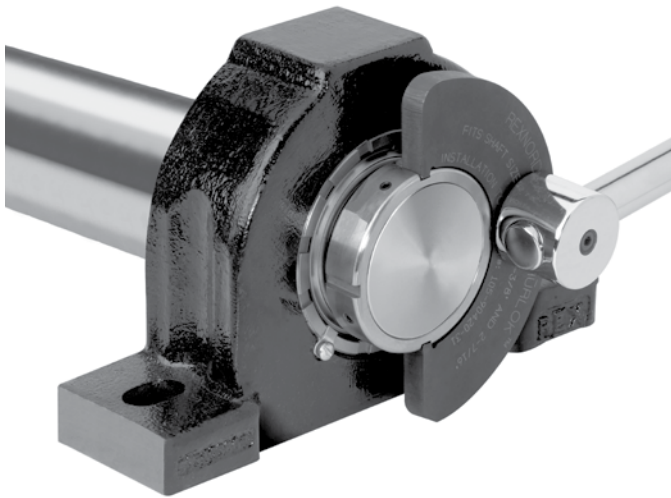
Additional Notes

*Floating units require ML-3

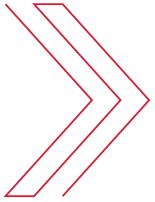


SHURLOK Installation Tools

Rex is pleased to offer a quick installation tool for the SHURLOK bearing. This tool is designed as a supplement to the spanner wrench or drift pin method. The installation tool can be attached to a 3/4" or 1/2" drive ratchet, torque wrench, or breaker bar which can be used as a lever arm. Simply fit the installation tool over the locknut by placing the tool's teeth into the locknut slots. The tool's unique shape allows it to be used from the side or the top of the bearing. To order, refer to the table below for the installation tool that fits your shaft size.



Bearing Size	Wrench Style Installation Tool Part Number	Impact Style Installation Tool Part Number
107	N6107-SPN	N6107-IMP
111	N6111-SPN	N6111-IMP
115	105-90420-11	105-90425-11
203	105-90420-21	105-90425-21
206/207	105-90420-31	105-90425-31
211/212/215	105-90420-41	105-90425-41
303/307	105-90420-51	105-90425-51
311/315	105-90420-61	105-90425-61
403/407	105-90420-71	105-90425-71
415	105-90420-81	105-90425-81
507		105-90425-91
515		105-90426-11
607/615		105-90426-21



SPHERICAL ROLLER BEARINGS

Units: Link-Belt

CONTENTS

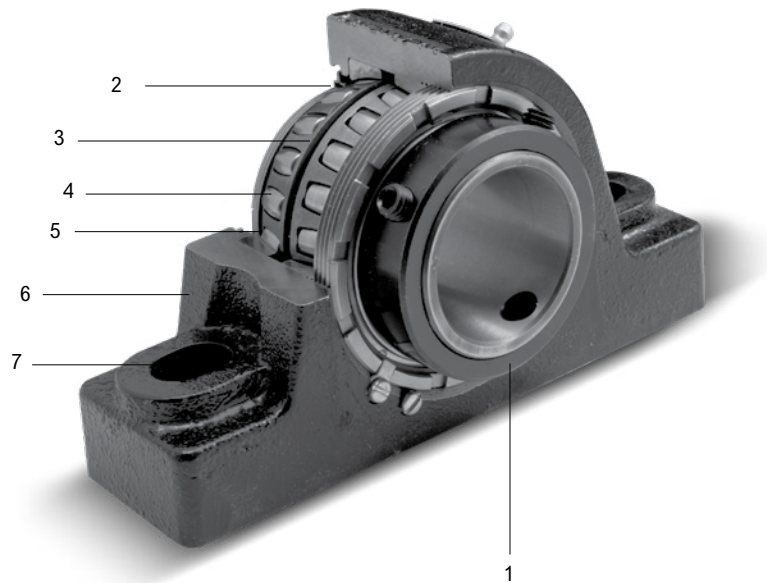
PAGE

Features and Benefits	152
Nomenclature	154
Engineering	155
Dimensions	
Pillow Blocks	161
Flange Blocks	178
Cartridge Blocks	189
Take-up Blocks	195
Take-up Assemblies	200
Take-up Frames	202
Unmounted Replacement Bearings	203
Replacement Kits	207

INDUSTRIES SERVED

Mining
Forest Products
Aggregates
Steel
Air Handling
Construction
Package Handling





Link-Belt Spherical Roller Bearings

Self-aligning double row spherical roller bearings are designed to distribute the load over the symmetrical rollers, assuring positive tracking and smooth operation. The large roller complement provides high capacity for radial or combined radial-thrust loads. Osculation clearance at the ends of the rollers compensates for shock loads and prevents destructive edge loading. These precision bearings with double contoured retainer pockets are designed to meet a broad range of application requirements.



1. Mounting feature

- B22400 Series – Spring locking collar locks inner ring securely to shaft.
- B22500 Series – Two spring locking collars lock inner ring securely to shaft.
- B22600 Series – Tapered adapter mounting system.

2. Choice of three seals

- Floating Labyrinth Type H
- Spring-Loaded Lip Type E
- Triple Lip Type E7

3. Long inner ring for high stability and load support

4. Self-aligning double row

Spherical roller bearing allows for +/- 2 degrees of misalignment to accommodate variations between shaft and support structure as well as shaft deflection during operation.

5. Double contoured retainer pockets

Assures accurate roller control.

6. One-piece cast iron or cast steel housing.

7. Slotted bolt holes in pillow block

Bases facilitate mounting; bottom of base is machined.

Spring Locking Collar(s) – B22400 & B22500 Series

The spring locking collar(s) design provides a secure grip of the wide inner ring bearing to the shaft. The setscrews extend through the inner ring of the bearing and lock firmly onto the shaft. Installation is fast and simple. Correctly tightening the setscrews produces elastic strain in the spring locking collar resulting in a continuous pressure on the setscrew threads and providing a positive lock.

Series B22400, B22500 & B22600 Spherical Roller Bearing Units and Take-ups – Features and Benefits

Series B22400 are single collar mounted spherical roller bearing units. Series B22500 are double collar mounted spherical roller bearing units. Series B22600 are adapter mounted spherical roller bearing units. These units provide economic and versatile arrangements for supporting shafts carrying substantial radial or combination radial and thrust loads. These units are especially adaptable for conveyors, elevators, general industrial machinery, heavier duty fans and blowers, power transmission applications, ditchers, trenchers, pavers and other such applications. These series of bearings are easy to mount, sealed, pre-lubricated and do not require bearing adjustment during mounting.

Adapter Mount – B22600 Series

The adapter mounting provides better concentricity and shaft control, increasing service life. Where Turned, Ground and Polished shafting is the norm on collar-mounted units, the maximized mounting power of the B22600 allows for Commercial Grade Shafting compatibility (a commonly used grade of shafting due to its price and availability). Shaft damage from set screws is eliminated with the B22600's improved mounting design. Shaft damage from the bearing inner ring fretting to the shaft (the result of a clearance or loose fit) is also eliminated. These improvements facilitate easier bearing removal, replacement bearing installation and longer shaft service life.

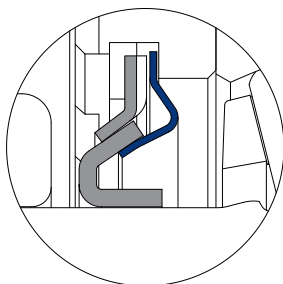


Interchangeable Seals

Three standard sealing systems are available; each offering maximum protection for various application conditions. These seals are interchangeable and are designed for grease lubrication.

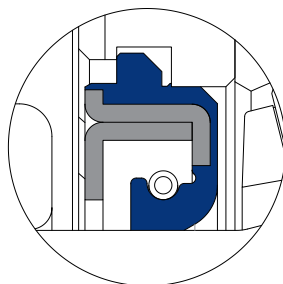
Type H Seal

Type H floating labyrinth seals have multiple self-centering rings held securely in a steel carrier. Type H seals are normally furnished.



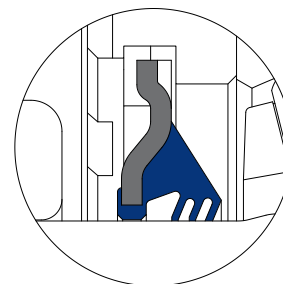
Type E Seal

Type E spring loaded lip seals utilize a spring to provide uniform pressure for keeping the sealing lip in contact with the inner ring. Type E seals are normally used for liquid splash environments.



Type E7 Seal

Type E7 triple lip seal with metal outboard guard is designed for the most severe of applications. The outboard metal guard protects the inner seal lips from abrasion and damage. The three molded, heavy contact lips provide excellent protection from abrasive media, dust and moisture.



One-Piece Cast Iron or Cast Steel Housings

Compact one-piece housings provide for strength and load support. Scientifically contoured housing design provides superior rigidity. Cast iron or cast steel pillow blocks have two or four slotted bolt holes with ample space provided for drilling dowel pin holes. Flanged and flanged cartridge units have drilled mounting

holes and machined mounting surfaces for maximum stability. Cartridge units have cast iron or steel housings and are finished to precision tolerances. Take-up units have machined slots for smooth, precise operation. Pillow blocks, flanged, and cartridge units are available for fixed or expansion operation.



Nomenclature

Symbol	Description	P	E -	B22	4	39	F	H	C	18A
C	Cartridge unit									
CSE	Cartridge unit; steel housing									
EF	Type E Flanged unit; 4-bolt square									
EP	Type E Pillow block; cast iron									
F	Flanged unit; 3- and 4-bolt									
FB	Flanged bracket unit									
FC	Flanged cartridge unit; 4-bolt round									
P	Pillow block; cast iron									
PK	Pillow block; cast steel housing									
T	Take-up unit, slotted guides									
DS	Take-up, conveyor, hinged top, welded steel frame									
DSH	Take-up, conveyor, extra strength, welded steel frame									
R	Collar opposite cover (B22400 only)									
E	Expansion unit (not used with CSE symbol)									
B22	Spherical roller bearing; extended inner ring separable outer rings									
4	400 series designation (one locking collar)									
5	500 series designation (two locking collars)									
6	600 series designation (adapter mounted)									
B	Inner ring bore equal to a bore of preceding smaller bearing group									
39	Shaft diameter in 16ths of an inch									
M55	Metric series, bore in mm									
F	Four bolt base pillow block									
H	Floating labyrinth seal									
E	Spring-loaded lip seal									
E7	Triple lip seal									
C	Closed end unit									
18	Take-up adjustment, inches									
K4	100% grease filled									
K5	No grease - preservative only									
K6	100% grease filled and housing plugged									
K93	Threaded cover held by dog point setscrews									
K98	Threaded cover held by face lock setscrews									
18A	SHC100 Grease									
18W	SHC460 Grease									
18Y	SHC220 Grease									
4C	Dow Corning DC44 Grease									
99A	Food Grade Grease									
2, 3, 4, 5	Clearances other than standard									

Seal Rating Guide

Application Conditions	Seal Ratings		
	Clearance	Heavy Contact	Triple Lip
	H	E	E7
Shaft position			
Horizontal Shaft	4	4	4
Vertical Shaft	1	4	4
Operating Temperature			
Below -40°F	4	1	1
-40°F to 0°F	4	3	3
0°F to +250°F	4	4	4
+250°F to +400°F	4	0	0
Over 400°F	4	0	0
Speed			
Equal to / Less than limit below	4	4	4
More than limit below	4	1	1
Vibration/Shock			
Occasional - Mild	3	4	4
Occasional - Severe	2	4	4
Continuous - Mild	1	3	3
Continuous - Severe	0	3	3
Abrasive Material			
Coarse - Over #10 Mesh	4	4	4
Small - #10 to #50 Mesh	3	4	4
Fine - #50 to #200 Mesh	1	4	4
Very fine - Under #200 Mesh	0	4	4
Caking or buildup (cement, etc.)	2	4	4
Moisture			
Splash	2	4	4
Rain	2	4	4
Saturated Atmosphere	1	4	4
Flooding	0	3	4
Pressure Wash	0	4	4
Fibrous Material			
Short Fibers (lint, etc.)	1	4	4
Long Fibers (grass, etc.)	1	4	4
Chemical			
Acid Fumes and Liquids	1	1	1
Alkaline Fumes and Liquids	1	1	1

Rating Code

4 - Excellent - Best seal for conditions listed.

3 - Good - Sealability is above average.

2 - Fair - Seal performs under intermittent conditions.

1 - Limited - Actual conditions must be known to evaluate sealability. Contact Rexnord for special assistance in the realm of materials and designs.

0 - Not acceptable - Will not effectively perform seal functions. Contact Rexnord for special assistance in the realm of materials and designs.

Seal Selection Guide

The choice of the seal for a mounted bearing is often the key to successful bearing operation and long service life. The SEAL SELECTION GUIDE incorporates years of Rexnord's experience against the wide variety of conditions encountered on actual applications. Following the simple selection procedure outlined can translate the benefits of that broad experience to the individual applications through the choice of the most effective seal.

How to Use the Selection Guide

1. The appropriate seal for a given application may be selected by comparing the job application conditions against those listed in the SEAL RATING GUIDE on this page.
2. When more than one application condition is present, the most appropriate seal may be selected based on prime sealing for the most detrimental condition, and secondary consideration given to the other application conditions.

Considerations in Addition to Seal Selection

Under certain adverse conditions, other changes should be considered to achieve maximum bearing life:

- A. High temperature lubricants where housing or ambient temperatures exceed +200°F,
- B. Special greases for additional bearing protection where excessive water, solvents or chemicals are present.
- C. EP (extreme pressure) greases where high load, high shock load, or continuous vibration is present.
- D. Readjustment of internal operating clearance of bearing where extreme high or low temperature conditions exist.

Seal Speed Limit Table*

Size Code	B416	B420	B424	B428	B432	B436	B440	B448	B456	B464	B572	B580	
Bearing Series	B22400	B22416	B22419 B22420	B22423 B22424	B224B24 B22426 B22427 B22428	B224B28 B22431 B22432	B22435 B22436	B224B36 B22439 B22440	B22443 B22444 B22447 B22448	B22451 B22455 B22456	B22459 B22463 B22464		
	B22500			B22523	B22527	B22531	B22532 B22535	B22539	B22543 B22547	B22555	B22563 B22564	B22567 B22571 B22572	B22579 B22580
	B22600			B22623	B22627	B22631	B22635	B22639	B22643 B22647	B22655	B22663		
(RPM)	H	4500	4000	3600	3100	2800	2500	2300	1950	1650	1400	1300	1200
	E	3500	3000	2750	2350	2150	1950	1750	1500	1250	1100	1000	900
	E7	N/A	2375	2175	1850	1675	1500	1350	1150	1000	850	775	650
Size Code	B416	B420	B424	B428	B432	B436	B440	B448	B456	B464	B572	B580	

Refer to Seal Rating Guide shown above for speeds in excess of those listed in this table.

*Actual bearing speed limits are largely based upon the applied load and can be found on the Load Rating Table.

Series B22400, B22500 & B22600 Spherical Roller Bearing Selection Guide

To select a bearing, determine the applied radial load, the applied thrust load, the desired Rating Life, and applicable operating conditions. The procedure shown here will aid in selecting a bearing to meet an L₁₀ design life. The formulas for calculating life expectancy should be used to determine the Rating Life L₁₀ for the bearing selected.

The selection procedures and rating formulas shown here are in agreement with the American Bearing Manufacturers Association (ABMA) standards

and ANSI/ABMA Standards STD 11-1990. Ratings are based on fatigue life. The Rating Life L₁₀ or fatigue life at 90% reliability is the usual basis for bearing selection. For radial load applications only, Table 4, can be used to select a bearing or to determine L₁₀ life expectancy.

To assure a satisfactory bearing application, fitting practice, mounting, lubrication, sealing, static rating, housing strength, operating conditions and maintenance must be considered.

Steps for Selection

Step 1

Determine an appropriate L₁₀ design life.

Type of service	Operating time, hours per year	Design life, years	L ₁₀ design life, hours
Light seasonal usage	500 to 750	3-5	3,000
Heavy seasonal usage	1,400 to 1,600	4-6	8,000
Industrial—8 hour shift	2,000	10	20,000
Industrial—16 hour shift	4,000	10	40,000
Industrial—continuous	8,700	10	80,000 to 100,000

Step 2

Determine a required $\left(\frac{C}{P}\right)$ from Table 1.

Step 3

Calculate the required C and select a roller bearing.

a For radial load only:

$$P = F_r$$

$$\text{required } C = \left(\frac{C}{P}\right) P \text{ using } \left(\frac{C}{P}\right) \text{ from Step 2}$$

Select a roller bearing from Table 2 with a basic load rating C equal to or greater than the required C.

Step 3 (continued)

b For combined radial and thrust loads:

Select a trial roller bearing of the desired shaft size from Table 2.

Calculate the ratio of thrust load F_a to the radial load F_r .

$$\frac{F_a}{F_r}$$

Calculate the equivalent radial load P

$$P = X F_r + Y F_a$$

If $\frac{F_a}{F_r}$ is equal to or less than e, then $P = X_1 F_r + Y_1 F_a$

If $\frac{F_a}{F_r}$ is greater than e, then $P = X_2 F_r + Y_2 F_a$

For values of e, X₁, Y₁, X₂, and Y₂, see Table 2.

Calculate the required C

$$\text{required } C = \left(\frac{C}{P}\right) P \text{ using } \left(\frac{C}{P}\right) \text{ from Step 2.}$$

Consult Table 2, basic load rating. If a smaller bearing meets, or nearly meets, the required C, its life expectancy can be calculated.

Note: If the load P is greater than .25C, consult Rexnord Bearing Division.

Selection

Symbols for formulas:

- C = basic load rating, pounds (or newtons)
- Co = static load rating, pounds (or newtons)
- e = a reference value
- Fa = thrust load, pounds (or newtons)
- Fr = radial load, pounds (or newtons)
- L10 = rating life, hours
- n = speed, revolutions per minute
- P = equivalent radial load, pounds (or newtons)
- X = radial factor
- Y = thrust factor

Table 1 • Relation of L₁₀ life and speed to $\left(\frac{C}{P}\right)$

Bearing Life Hours L ₁₀	Speed, n									
	50	100	200	300	400	500	600	700	800	
3000	1.93	2.38	2.93	3.31	3.61	3.86	4.07	4.27	4.44	
4000	2.11	2.59	3.19	3.61	3.93	4.20	4.44	4.65	4.84	
5000	2.25	2.77	3.42	3.86	4.20	4.50	4.75	4.97	5.18	
6000	2.38	2.93	3.61	4.07	4.44	4.75	5.02	5.25	5.47	
8000	2.59	3.19	3.93	4.44	4.84	5.18	5.47	5.73	5.96	
10000	2.77	3.42	4.20	4.75	5.18	5.54	5.85	6.12	6.37	
12000	2.93	3.61	4.44	5.02	5.47	5.85	6.18	6.47	6.73	
14000	3.07	3.78	4.65	5.25	5.73	6.12	6.47	6.77	7.05	
16000	3.19	3.93	4.84	5.47	5.96	6.37	6.73	7.05	7.34	
18000	3.31	4.07	5.02	5.66	6.18	6.60	6.97	7.30	7.60	
20000	3.42	4.20	5.18	5.85	6.37	6.81	7.20	7.54	7.85	
25000	3.65	4.50	5.54	6.25	6.81	7.29	7.70	8.06	8.39	
30000	3.86	4.75	5.85	6.60	7.20	7.70	8.13	8.51	8.86	
35000	4.04	4.97	6.12	6.92	7.54	8.06	8.51	8.92	9.28	
40000	4.20	5.18	6.37	7.20	7.85	8.39	8.86	9.28	9.66	
45000	4.36	5.36	6.60	7.46	8.13	8.69	9.18	9.61	10.00	
50000	4.50	5.54	6.81	7.70	8.39	8.97	9.48	9.92	10.30	
60000	4.75	5.85	7.20	8.13	8.86	9.48	10.00	10.50	10.90	
70000	4.97	6.12	7.54	8.51	9.28	9.92	10.50	11.00	11.40	
80000	5.18	6.37	7.85	8.86	9.66	10.30	10.90	11.40	11.90	
90000	5.36	6.60	8.13	9.18	10.00	10.70	11.30	11.80	12.30	
100000	5.54	6.81	8.39	9.48	10.30	11.00	11.70	12.20	12.70	
150000	6.25	7.70	9.48	10.70	11.70	12.50	13.20	13.80	14.40	
200000	6.81	8.39	10.30	11.70	12.70	13.60	14.40	15.00	15.70	

	Speed, n									
	900	1000	1200	1500	1800	2400	3000	3600	6000	
3000	4.60	4.75	5.02	5.36	5.66	6.18	6.60	6.97	8.13	
4000	5.02	5.18	5.47	5.85	6.18	6.73	7.20	7.60	8.86	
5000	5.36	5.54	5.85	6.25	6.60	7.20	7.70	8.13	9.48	
6000	5.66	5.85	6.18	6.60	6.97	7.60	8.13	8.59	10.00	
8000	6.18	6.37	6.73	7.20	7.60	8.29	8.86	9.36	10.90	
10000	6.60	6.81	7.20	7.70	8.13	8.86	9.48	10.00	11.70	
12000	6.97	7.20	7.60	8.13	8.59	9.36	10.00	10.60	12.30	
14000	7.30	7.54	7.96	8.51	8.99	9.80	10.50	11.10	12.90	
16000	7.60	7.85	8.29	8.86	9.36	10.20	10.90	11.50	13.40	
18000	7.88	8.13	8.59	9.18	9.70	10.60	11.30	11.90	13.90	
20000	8.13	8.39	8.86	9.48	10.00	10.90	11.70	12.30	14.40	
25000	8.69	8.97	9.48	10.10	10.70	11.70	12.50	13.20	15.40	
30000	9.18	9.48	10.00	10.70	11.30	12.30	13.20	13.90	16.20	
35000	9.61	9.92	10.50	11.20	11.80	12.90	13.80	14.60	17.00	
40000	10.00	10.30	10.90	11.70	12.30	13.40	14.40	15.20	17.70	
45000	10.40	10.70	11.30	12.10	12.80	13.90	14.90	15.70	18.30	
50000	10.70	11.00	11.70	12.50	13.20	14.40	15.40	16.20	18.90	
60000	11.30	11.70	12.30	13.20	13.90	15.20	16.20	17.10	20.00	
70000	11.80	12.20	12.90	13.80	14.60	15.90	17.00	17.90	20.90	
80000	12.30	12.70	13.40	14.40	15.20	16.50	17.70	18.70	21.80	
90000	12.80	13.20	13.90	14.90	15.70	17.10	18.30	19.40	22.60	
100000	13.20	13.60	14.40	15.40	16.20	17.70	18.90	20.00	23.30	
150000	14.90	15.40	16.20	17.30	18.30	20.00	21.40	22.60	26.30	
200000	16.20	16.70	17.70	18.90	20.00	21.80	23.30	24.60	28.70	

Basic Formula

$$\left(\frac{C}{P}\right) = \left(\frac{L_{10} \times n \times 60}{1,000,000}\right)^{3/10}$$

$$L_{10} = \frac{\left(\frac{C}{P}\right)^{10/3} \times 1,000,000}{n \times 60}$$

Life Expectancy

To calculate the Rating Life L₁₀ of any selected or trial bearing:

Step 1

Determine the equivalent radial load P.

a For radial load only:

$$P = F_r$$

b For combined radial and thrust load:

$$P = X F_r + Y F_a$$

if $\frac{F_a}{F_r}$ is equal to or less than e, then

$$P = X_1 F_r + Y_1 F_a$$

if $\frac{F_a}{F_r}$ is greater than e, then

$$P = X_2 F_r + Y_2 F_a$$

For values of e, X₁, Y₁, X₂, and Y₂, consult the appropriate bearing rating Table 2.

Step 2

Calculate the ratio of the basic load rating C to the equivalent radial load.

$$\left(\frac{C}{P}\right)$$

Step 3

Approximate the bearing life from Table 1.

Life Adjustment

The Rating Life, L₁₀, may be modified for some applications in accordance with the formula

$$L_n = a_1 a_2 a_3 L_{10}$$

where L_n = Adjusted life for (100-n) % reliability,

a₁ = Life adjustment factor for reliability

a₂ = Life adjustment factor

for material and processing

a₃ = Life adjustment factor for operating conditions.

For most normal applications, all factors will be taken as 1, and the Rating Life used as the selection basis or life estimate. In addition, as long as standard catalog bearings are used, a₂ will be normally set equal to one.

The factor a₃ covers such things as lubrication, misalignment, and temperature. Some conditions that could yield a₃ significantly different than unity include speeds less than 20000 DN or greater than 200000 DN, temperatures below -40°F (-40°C) or above 275°F (135°C). For other possible conditions, as well as additional information on life adjustment factors, consult Rexnord Bearing Division.

Table 2 • Load Ratings and Speed Limits

Size Code	Co Static Load Rating		C Basic Load Rating		Approximate Speed Limit RPM*			e	Fa/Fr ≤ e		Fa/Fr > e	
	newtons	pounds	newtons	pounds	H seal	E seal	E7 seal		X1	Y1	X2	Y2
B416	66279	14900	62720	14100	4500	3500	---	0.51	1.00	1.32	0.67	1.96
B420	81402	18300	75175	16900	4000	3000	1700	0.48	1.00	1.40	0.67	2.08
B424 B524 B624	92968	20900	79178	17800	3600	2750	1575	0.44	1.00	1.54	0.67	2.29
B428 B528	127664	28700	109871	24700	3100	2350	1325	0.45	1.00	1.51	0.67	2.25
B432 B531 B631	147681	33200	115209	25900	2800	2150	1225	0.40	1.00	1.68	0.67	2.50
B436 B536 B635	197501	44400	144567	32500	2500	1950	1075	0.40	1.00	1.68	0.67	2.50
B440 B540 B639	237980	53500	170367	38300	2300	1750	975	0.38	1.00	1.80	0.67	2.68
B448 B548 B647	318048	71500	227304	51100	1950	1500	850	0.38	1.00	1.79	0.67	2.67
B456 B556 B655	403454	90700	277124	62300	1650	1250	725	0.38	1.00	1.77	0.67	2.64
B464 B564 B663	609406	137000	429253	96500	1400	1100	625	0.36	1.00	1.88	0.67	2.79
B572	708602	159300	486635	109400	1300	1000	550	0.38	1.00	1.80	0.67	2.68
B580	1076025	241900	739294	166200	1200	900	525	0.37	1.00	1.83	0.67	2.72

If the load P is greater than .25C, consult Rexnord Bearing Division.

For B22400 Series, reduce C Basic Load rating by 15%.

For B22500 Series, reduce C Basic Load rating by 5%.

For vertical shift application, consult Rexnord Bearing Division.

*Based on grease lubrication and moderate load.

Table 3 • Size Code Interchange Table

Shaft Size	B22400 Series Single Set Collar	B22500 Series Double Set Collar	B22600 Series Tapered Adapter	Size Code
	Bearing Number	Bearing Number	Bearing Number	
1 25 mm	B22416 <i>B224M25</i>			B416
1-3/16 1-1/4 30 mm	B22419 B22420 <i>B224M30</i>			B420
1-7/16 1-1/2 35 mm	B22423 B22424 <i>B224M35</i>	B22523	B22623	B424 B524 B624
1-1/2 1-5/8 1-11/16 1-3/4 40 mm	B224B24 B22426 B22427 B22428 <i>B224M40</i>	B22527		B428 B528
1-3/4 1-15/16 2 45 mm 50 mm	B224B28 B22431 B22432 <i>B224M45</i> <i>B224M50</i>	B22531	B22631	B432 B531 B631
2 2-3/16 2-1/4 55 mm	B22435 B22436 <i>B224M55</i>	B22532 B22535	B22635	B436 B536 B635
2-1/4 2-7/16 2-1/2 60 mm	B224B36 B22439 B22440 <i>B224M60</i>	B22539	B22639	B440 B540 B639
2-11/16 2-3/4 2-15/16 3 65 mm 70 mm 75 mm	B22443 B22444 B22447 B22448 <i>B224M65</i> <i>B224M70</i> <i>B224M75</i>	B22543 B22547	B22643 B22647	B448 B548 B647
3-3/16 3-7/16 3-1/2 80 mm 85 mm	B22451 B22455 B22456 <i>B224M80</i> <i>B224M85</i>	B22555	B22655	B456 B556 B655
3-11/16 3-15/16 4 90 mm 100 mm	B22459 B22463 B22464 <i>B224M90</i> <i>B224M100</i>	B22559 B22563 B22564	B22663	B464 B564 B663
4-3/16 4-7/16 4-1/2 110 mm 115 mm		B22567 B22571 B22572 <i>B225M110</i> <i>B225M115</i>		B572
4-15/16 5 125 mm		B22579 B22580 <i>B225M125</i>		B580

PB22400, PEB22400

Interchange: P2BS2, SYR, USRB5000, QAPL

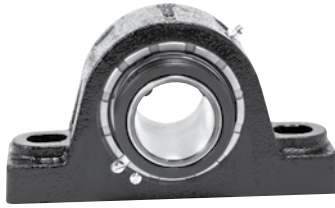
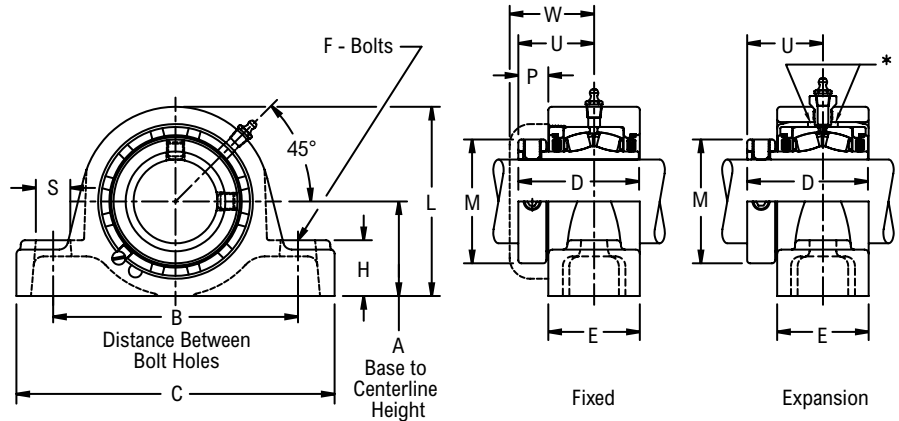


Photo Shows a 2-Bolt Spherical Roller Bearing Pillow Block Unit

Product Features

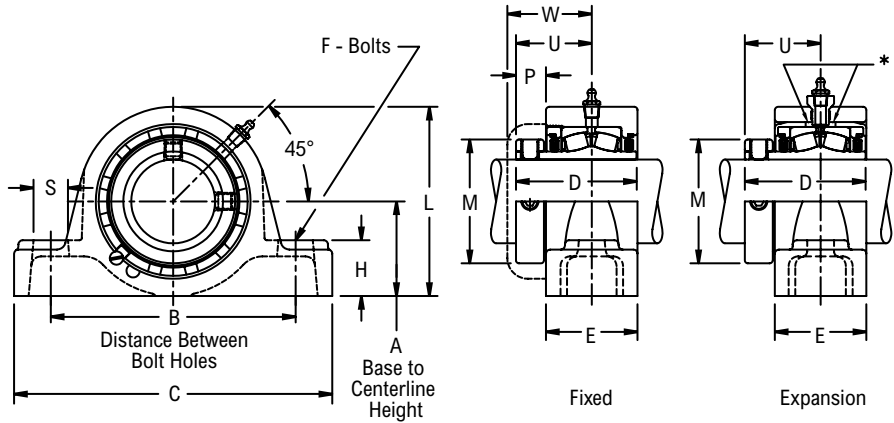
- Corrosion-resistant powder coating
- Cast iron housing
- Misalignment capabilities - total of 4°
- Broad range of sealing options
- Factory set clearance & lubrication
- Hardened spring locking collar
- Field interchangeable seals
- Fixed or Expansion - total of 3/8" expansion
- See Features and Benefits for additional info on pages 152 - 153.



Bearing Dimensions

Size Code	Shaft Diameter	Expansion			Fixed			A Base to Centerline Height	B Distance Between Bolt Holes	C	D	E	F Bolts	H	M	P	U	W	Approx. Weight
		Part Number	L	S	Part Number	L	S												
B416	1	PEB22416H	3 5/16	5/8	PB22416H	3 1/8	5/8	1 9/16	4 3/8	5 15/16	2 9/16	2 1/16	3/8	7/8	1 3/4	17/32	1 9/16	1 29/32	5.00
	25.00	PEB224M25H	84.10	15.90	PB224M25H	79.40	15.90	39.67	111.10	150.80	65.09	52.40	10.00	22.20	44.40	13.50	39.70	48.40	2.10
B420	1 3/16	PEB22419H	3 5/8	5/8	PB22419H	3 1/2	5/8	1 3/4	4 3/4	6 5/16	2 11/16	2 3/16	3/8	1 1/16	1 31/32	17/32	1 5/8	1 31/32	6.00
	1 1/4	PEB22420H			PB22420H														
	30.00	PEB224M30H	92.10	15.90	PB224M30H	88.90	15.90	44.45	120.60	160.30	68.26	55.60	10.00	27.00	50.00	13.50	41.30	50.00	2.90
B424	1 7/16	PEB22423H	3 7/8	7/8	PB22423H	3 11/16	13/16	1 7/8	5	6 9/16	2 7/8	2 1/4	1/2	1 3/16	2 5/16	2 1/32	1 25/32	2 3/16	7.00
	1 1/2	PEB22424H			PB22424H														
	35.00	PEB224M35H	98.40	22.22	PB224M35H	93.70	20.60	47.62	127.00	166.69	73.02	57.20	12.00	30.20	58.70	16.70	45.20	55.60	3.20
B428	1 5/8	PEB22426H	4 3/8	7/8	PB22426H	4 1/4	13/16	2 1/8	5 1/2	7 1/8	3 1/8	2 1/2	1/2	1 5/16	2 19/32	2 1/32	1 29/32	2 1/4	10.00
	1 11/16	PEB22427H			PB22427H														
	1 3/4	PEB22428H			PB22428H														
	40.00	PEB224M40H	111.10	22.22	PB224M40H	108.00	20.60	53.98	139.70	180.98	79.38	63.50	12.00	33.30	65.90	16.70	48.40	57.20	4.70
B432	1 15/16	PEB22431H	4 9/16	15/16	PB22431H	4 9/16	15/16	2 1/4	6 1/4	8 1/8	3 1/8	2 1/2	5/8	1 3/8	2 7/8	2 1/32	1 29/32	2 9/32	12.00
	2	PEB22432H			PB22432H														
	45.00	PEB224M45H			115.90														
	50.00	PEB224M50H			PB224M50H														5.20
B436	2 3/16	PEB22435H	5	15/16	PB22435H	5	15/16	2 1/2	6 3/4	8 5/8	3 5/16	2 9/16	5/8	1 5/8	3 1/4	25/32	2 1/16	2 7/16	14.00
	2 1/4	PEB22436H			PB22436H														
	55.00	PEB224M55H	127.00	23.80	PB224M55H	127.00	23.80	63.50	171.40	219.08	84.14	65.10	16.00	41.30	82.60	19.80	52.40	61.90	6.50
B440	2 7/16	PEB22439H	5 1/2	15/16	PB22439H	5 1/2	15/16	2 3/4	7 1/8	9 1/8	3 1/2	2 11/16	5/8	1 5/8	3 9/16	27/32	2 3/16	2 9/16	17.00
	2 1/2	PEB22440H			PB22440H														
	60.00	PEB224M60H			139.70														
B448	2 11/16	PEB22443H	6 7/16	1 1/16	PB22443H	6 7/16	1 1/16	3 1/4	8 1/8	10 7/16	4	3 3/16	3/4	2	4 1/16	27/32	2 7/16	2 25/32	29.00
	2 3/4	PEB22444H			PB22444H														
	2 15/16	PEB22447H			PB22447H														
	3	PEB22448H			PB22448H														
	65.00	PEB224M65H																	
70.00	PEB224M70H	163.50	27.00	PB224M70H	163.50	27.00	82.55	206.40	265.10	101.60	81.00	20.00	57.20	103.20	21.40	61.90	70.60	13.00	
75.00	PEB224M75H			PB224M75H															12.50
B456	3 3/16	PEB22451H	7 1/2	1 5/8	PB22451H	7 1/2	1 5/8	3 3/4	10	13	4 3/8	3 7/16	7/8	2 1/4	4 29/32	15/16	2 21/32	3	43.00
	3 7/16	PEB22455H			PB22455H														
	3 1/2	PEB22456H			PB22456H														
	80.00	PEB224M80H			190.50														
85.00	PEB224M85H			PB224M85H															19.10

Continued...



Continued...

Bearing Dimensions

Size Code	Shaft Diameter	Expansion			Fixed			A Base to Centerline Height	B Distance Between Bolt Holes	C	D	E	F Bolts	H	M	P	U	W	Approx. Weight											
		Part Number	L	S	Part Number	L	S																							
B464	3 11/16	PEB22459H	8 1/2	2 1/4	PB22459H	8 1/2	2 1/4	4 1/4	11 3/4	15 1/4	5 1/16	4 3/16	1	2 5/8	5 5/8	1 1/16	3 1/16	3 7/16	61.00											
	3 15/16	PEB22463H			PB22463H														59.00											
	4	PEB22464H			PB22464H																									
	90.00	PEB224M90H	215.90	57.20	PB224M90H	215.90	57.20												107.95	298.40	387.40	128.59	106.40	24.00	66.70	142.90	27.00	77.80	87.30	28.70
	100.00	PEB224M100H			PB224M100H																									26.90
B464L	3 15/16	-	-	-	PLB22463H	8 3/8	1 7/8	4 1/8	10 7/8	14 1/4	5 1/16	4 3/16	1	2 1/2	5 5/8	1 1/16	3 1/16	3 7/16	58.00											
	4	-	-	-	PLB22464H																									

Additional Notes

Please call 1-866-REXNORD for availability
 Lubrication fitting tap size, 1/8" PT
 Base to centerline tolerance, +/- .005" (+/- 0.13 mm)
 Expansion - is 3/8" for all size codes
 H labyrinth seals standard

All size codes available with type E lip seals, except E7 in size code B416
 For the Selection Guide, Load Ratings and Speed Limits, see the Link-Belt Spherical Roller Bearings Engineering section on pages 155 - 160.
 Note: Dimensions subject to change. Certified dimensions of ordered material furnished on request.

PB22400F, PEB22400F

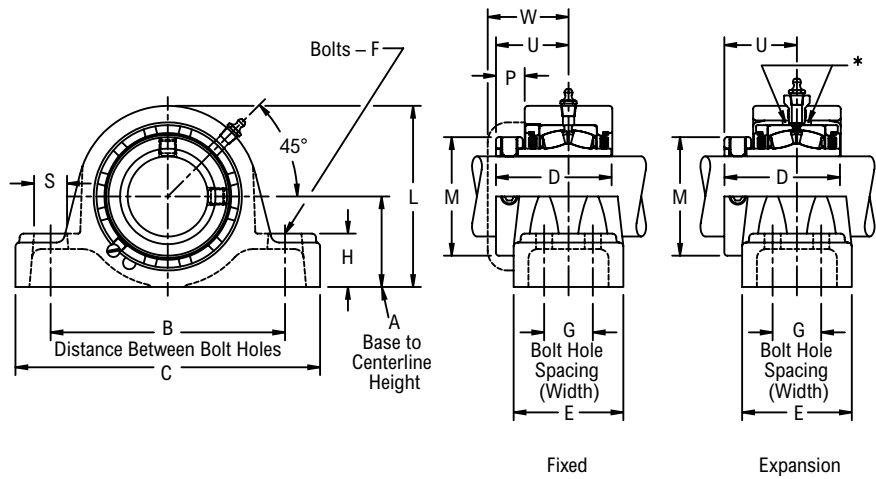
Interchange: P4BS2, FSYR, USRBF5000, QAPF



Photo Shows a 4-Bolt Spherical Roller Bearing Pillow Block Unit

Product Features

- Corrosion-resistant powder coating
- Cast iron housing
- Misalignment capabilities - total of 4°
- Broad range of sealing options
- Factory set clearance & lubrication
- Hardened spring locking collar
- Field interchangeable seals
- Fixed or Expansion - total of 3/8" expansion
- See Features and Benefits for additional info on pages 152 - 153.



Bearing Dimensions

Size Code	Shaft Diameter	Expansion		Fixed		A Base to Centerline Height	B Distance Between Bolt Holes	G Bolt Hole Spacing (Width)	C	D	E	F Bolts	H	L	M	P	S	U	W	Approx. Weight														
		Part Number	Part Number																															
B432	1 15/16	PEB22431FH	PB22431FH	2 1/4	6 1/4	1 19/32	8 3/8	3 1/8	3 3/16	1/2	1 3/8	4 9/16	2 7/8	21/32	13/16	1 29/32	2 9/32	2 9/32	13.00															
	2	PEB22432FH	PB22432FH																															
	45.00	PEB224M45FH	PB224M45FH																	57.15	158.80	40.50	212.70	79.38	81.00	12.00	34.90	115.90	73.00	16.70	20.60	48.40	57.90	6.30
	50.00	PEB224M50FH	PB224M50FH																															
B436	2 3/16	PEB22435FH	PB22435FH	2 1/2	6 3/4	1 11/16	8 7/8	3 5/16	3 1/4	1/2	1 5/8	5	3 1/4	25/32	13/16	2 1/16	2 7/16	15.00																
	2 1/4	PEB22436FH	PB22436FH																															
	55.00	PEB224M55FH	PB224M55FH																63.50	171.40	42.90	225.40	84.14	82.60	12.00	41.30	127.00	82.60	19.80	20.60	52.40	61.90	6.90	
B440	2 7/16	PEB22439FH	PB22439FH	2 3/4	7 1/8	1 3/4	9 1/4	3 1/2	3 3/8	1/2	1 3/4	5 1/2	3 9/16	27/32	13/16	2 3/16	2 9/16	19.00																
	2 1/2	PEB22440FH	PB22440FH																															
	60.00	PEB224M60FH	PB224M60FH																69.85	181.00	44.40	235.00	88.90	85.70	12.00	44.40	139.70	90.50	21.40	20.60	55.60	65.10	8.60	
B448	2 11/16	PEB22443FH	PB22443FH	3 1/4	8 1/8	1 7/8	10 7/16	4	3 3/4	5/8	2 1/4	6 7/16	4 1/16	27/32	15/16	2 7/16	2 25/32	30.00																
	2 3/4	PEB22444FH	PB22444FH																															
	2 15/16	PEB22447FH	PB22447FH																															
	3	PEB22448FH	PB22448FH																															
	65.00	PEB224M65FH	PB224M65FH																														29.00	
	70.00	PEB224M70FH	PB224M70FH																82.55	206.40	47.60	265.10	101.60	95.20	16.00	57.20	163.50	103.20	21.40	23.80	61.90	70.60	13.70	
75.00	PEB224M75FH	PB224M75FH															28.00																	
B456	3 3/16	PEB22451FH	PB22451FH	3 3/4	10	2	13	4 3/8	4 1/8	3/4	2 1/4	7 1/2	4 29/32	15/16	1 1/2	2 21/32	3	45.00																
	3 7/16	PEB22455FH	PB22455FH																															
	3 1/2	PEB22456FH	PB22456FH																															
	80.00	PEB224M80FH	PB224M80FH																95.25	254.00	50.80	330.20	111.12	104.80	20.00	57.20	190.50	124.60	23.80	38.10	67.50	76.20	20.50	
	85.00	PEB224M85FH	PB224M85FH																														20.00	
B464	3 11/16	PEB22459FH	PB22459FH	4 1/4	12 1/2	2 1/4	15 1/4	5 1/16	4 1/2	3/4	2 5/8	8 1/2	5 5/8	1 1/16	1 1/4	3 1/16	3 7/16	69.00																
	3 15/16	PEB22463FH	PB22463FH																															
	4	PEB22464FH	PB22464FH																															
	90.00	PEB224M90FH	PB224M90FH																107.95	317.50	57.20	387.40	128.59	114.30	20.00	66.70	215.90	142.90	27.00	31.80	77.80	87.30	32.10	
	100.00	PEB224M100FH	PB224M100FH																														30.30	

Additional Notes

- Please call 1-866-REXNORD for availability
- Lubrication fitting tap size, 1/8" PT
- Base to centerline tolerance, +/- .005" (+/- 0.13 mm)
- Expansion - is 3/8" for all size codes
- H labyrinth seals standard
- All size codes available with type E lip seals & E7 triple lip seals

For the Selection Guide, Load Ratings and Speed Limits, see the Link-Belt Spherical Roller Bearings Engineering section on pages 155 - 160.

Note: Dimensions subject to change. Certified dimensions of ordered material furnished on request.

PB22500, PEB22500, PB22500F, PEB22500F

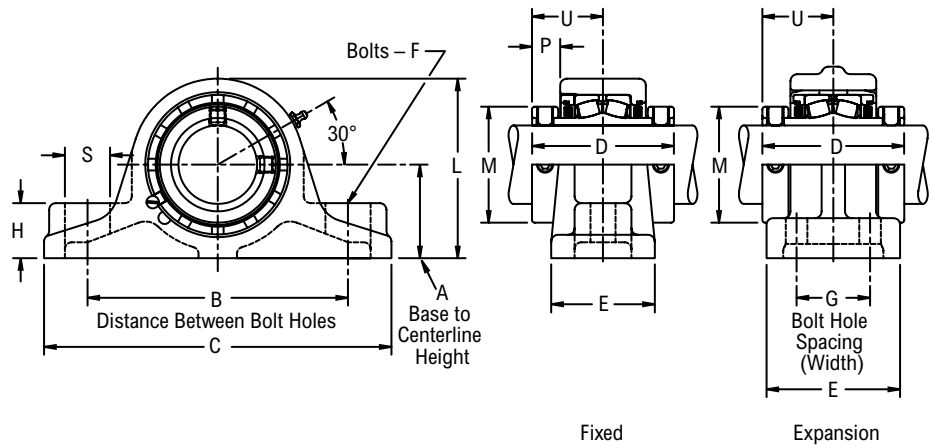
Interchange: QAAPL, QAAPF



Photo Shows a 4-Bolt Spherical Roller Bearing Pillow Block Unit

Product Features

- Corrosion-resistant powder coating
- Cast iron housing
- Misalignment capabilities - total of 4°
- Broad range of sealing options
- Factory set clearance & lubrication
- Two hardened spring locking collars
- Field interchangeable seals
- Fixed or Expansion - total of 3/8" expansion
- See Features and Benefits for additional info on pages 152 - 153.



Bearing Dimensions

Size Code	Shaft Diameter	Expansion		Fixed		A Base to Centerline Height	B Distance Between Bolt Holes	G Bolt Hole Spacing (Width)	C	D	E	F Bolts	H	M	P	S	U	Approx. Weight
		Part Number	L	Part Number	L													
Two-Bolt Pillow Block																		
B524	1 7/16	-	-	PB22523H	3 31/32	2 1/8	5 7/8	-	8 1/8	3 9/16	2 7/16	1/2	1 1/8	2 5/16	11/16	1 1/8	1 25/32	10.00
B528	1 11/16	-	-	PB22527H	4 7/16	2 3/16	6 1/2	-	9	3 13/16	2 13/16	1/2	1 5/16	2 19/32	23/32	1 1/4	1 29/32	12.00
B531	1 15/16	-	-	PB22531H	4 3/4	2 1/2	7	-	9 3/4	3 13/16	2 7/8	5/8	1 7/16	2 7/8	23/32	1 1/4	1 29/32	14.00
B536	2	-	-	PB22532H	5 1/4	2 3/4	7 1/2	-	10 1/4	4 1/8	3 1/8	5/8	1 5/8	3 1/4	25/32	1 1/4	2 1/16	21.00
	2 3/16	-	-	PB22535H														20.00
B540	2 7/16	PEB22539H	6 3/16	PB22539H	5 3/4	3	8 1/4	-	11 1/4	4 3/8	3 3/8	3/4	1 3/4	3 9/16	13/16	1 3/8	2 3/16	24.00
B548	2 11/16	PEB22543H	7 3/16	PB22543H	6 23/32	3 1/2	9 3/4	-	13	4 7/8	3 7/8	7/8	2 1/16	4 1/16	29/32	1 5/8	2 7/16	39.00
	2 15/16	PEB22547H		PB22547H														37.00
Four-Bolt Pillow Block																		
B536	2	-	-	PB22532FH	5 15/32	2 3/4	7 1/2	2 1/4	9 15/16	4 1/8	4	1/2	2	3 1/4	25/32	1 1/8	2 1/16	22.00
	2 3/16	-	-	PB22535FH														92.00
B540	2 7/16	PEB22539FH	5 7/8	PB22539FH	5 7/8	3	8 5/8	2 5/8	10 5/8	4 3/8	4 3/8	1/2	2 1/8	3 9/16	13/16	1 1/8	2 3/16	26.00
B548	2 11/16	PEB22543FH	6 15/16	PB22543FH	6 15/16	3 1/2	9 3/4	2 3/4	12 5/8	4 7/8	4 3/4	5/8	2 5/16	4 1/16	29/32	1 1/2	2 7/16	38.00
	2 15/16	PEB22547FH		PB22547FH														36.00
B556	3 7/16	PEB22555FH	8	PB22555FH	8	4	11 1/2	3	14 1/4	5 5/16	5	3/4	2 1/2	4 29/32	15/16	1 1/2	2 21/32	56.00
B564	3 15/16	PEB22563FH	8 13/16	PB22563FH	8 13/16	4 7/16	12 1/4	3 3/8	15 5/8	6 1/8	5 5/8	7/8	2 7/8	5 5/8	1 1/16	1 13/16	3 1/16	76.00
	4	PEB22564FH		PB22564FH														92.00
B572	4 3/16	PEB22567YFH	9 3/8	PB22567YFH	9 3/8	4 3/4	13 1/2	2 1/2	16 1/2	6 1/4	4 5/8	3/4	2 3/4	6 3/16	1	1 3/8	3 1/8	88.00
	4 7/16	PEB22571YFH		PB22571YFH														87.00
	4 1/2	PEB22572YFH		PB22572YFH														87.00
	110.00	PEB225M110YFH		238.10														PB225M110YFH
115.00	PEB225M115YFH	238.10	PB225M115YFH	238.10	120.65	342.90	63.50	419.10	158.75	117.48	20.00	69.80	157.16	25.40	34.90	79.37	39.50	
B580	4 15/16	PEB22579YFH	11 1/8	PB22579YFH	11 1/8	5 1/2	15 1/2	2 3/4	18 1/2	7 7/8	5 9/16	7/8	3	7 1/16	1 5/32	1 1/2	3 15/16	129.00
	5	PEB22580YFH		PB22580YFH														128.00
	125.00	PEB225M125YFH	282.57	PB225M125YFH	282.57	139.70	393.70	69.80	469.90	200.02	141.34	24.00	76.20	179.38	29.37	38.10	100.01	58.10

Additional Notes

- Please call 1-866-REXNORD for availability
- Lubrication fitting tap size, 1/8" PT
- Base to centerline tolerance, +/- .005" (+/- 0.13 mm)
- Expansion - is 3/8" for all size codes
- H labyrinth seals standard

All size codes available with type E lip seals & E7 triple lip seals
 For the Selection Guide, Load Ratings and Speed Limits, see the Link-Belt Spherical Roller Bearings Engineering section on pages 155 - 160.
 Note: Dimensions subject to change. Certified dimensions of ordered material furnished on request.

PB22600, PEB22600

Interchange: P2BIP, SYR-N, USRB5000A, QVVPL

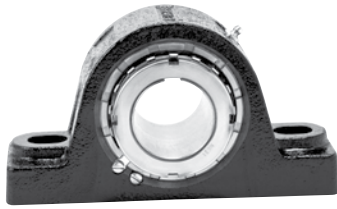
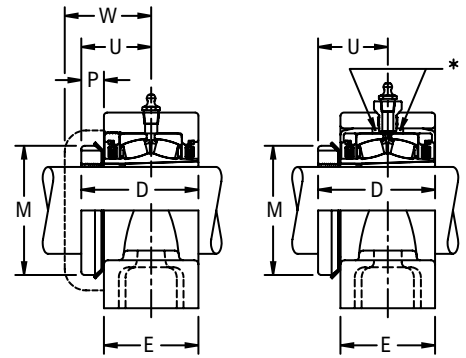
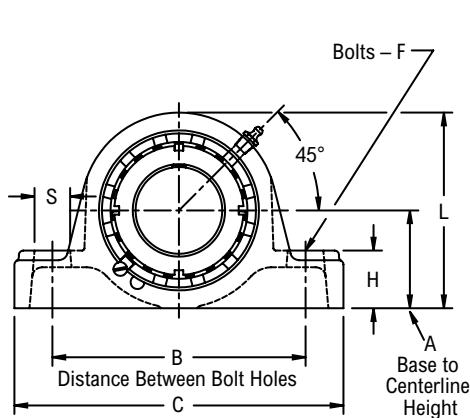


Photo Shows a 2-Bolt Spherical Roller Bearing Pillow Block Unit

Product Features

- Corrosion-resistant powder coating
- Cast iron housing
- Misalignment capabilities - total of 4°
- Broad range of sealing options
- Factory set clearance & lubrication
- Enhanced life mounting style
- Field interchangeable seals
- Fixed or Expansion - total of 3/8" expansion
- See Features and Benefits for additional info on pages 152 - 153.



Fixed

Expansion

Bearing Dimensions

Size Code	Shaft Diameter	Expansion			Fixed			A Base to Centerline Height	B Distance Between Bolt Holes	C	D	E	F Bolts	H	M	P	U	W	Approx. Weight
		Part Number	L	S	Part Number	L	S												
B624	1 7/16	PEB22623H	3 7/8	7/8	PB22623H	3 11/16	13/16	1 7/8	5	6 9/16	2.71	2 1/4	1/2	1 3/16	2 1/4	1/2	1 39/64	2 3/16	7.00
B631	1 15/16	PEB22631H	4 9/16	15/16	PB22631H	4 9/16	15/16	2 1/4	6 1/4	8 1/8	3.08	2 1/2	5/8	1 3/8	2 31/32	39/64	1 55/64	2 9/32	12.00
B635	2 3/16	PEB22635H	5	15/16	PB22635H	5	15/16	2 1/2	6 3/4	8 5/8	3.16	2 9/16	5/8	1 5/8	3 5/32	5/8	1 29/32	2 7/16	14.00
B639	2 7/16	PEB22639H	5 1/2	15/16	PB22639H	5 1/2	15/16	2 3/4	7 1/8	9 1/8	3.28	2 11/16	5/8	1 5/8	3 5/8	45/64	1 31/32	2 9/16	17.00
B647	2 11/16	PEB22643H	6 7/16	1 1/16	PB22643H	6 7/16	1 1/16	3 1/4	8 1/8	10 7/16	3.86	3 3/16	3/4	2	4 5/32	3/4	2 19/64	2 25/32	29.00
	2 15/16	PEB22647H			PB22647H														27.00
B655	3 7/16	PEB22655H	7 1/2	1 5/8	PB22655H	7 1/2	1 5/8	3 3/4	10	13	4.29	3 7/16	7/8	2 1/4	4 15/16	7/8	2 37/64	3	42.00
B663	3 15/16	PEB22663H	8 1/2	2 1/4	PB22663H	8 1/2	2 1/4	4 1/4	11 3/4	15 1/4	4.94	4 3/16	1	2 5/8	5 7/16	15/16	2 15/16	3 7/16	59.00

Additional Notes

- Please call 1-866-REXNORD for availability
- Lubrication fitting tap size, 1/8" PT
- Base to centerline tolerance, +/- .005" (+/- 0.13 mm)
- Expansion - is 3/8" for all size codes
- Dimensions for "D", "P" & "U" based on unmounted condition
- H labyrinth seals standard

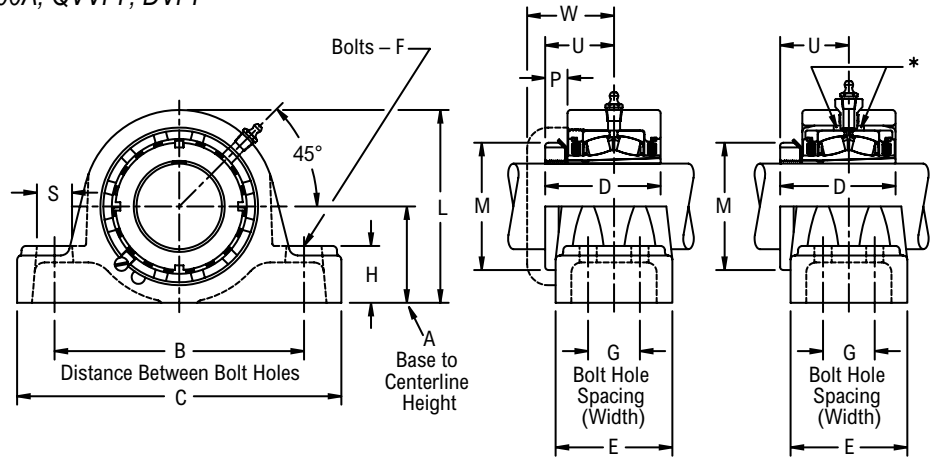
- All size codes available with type E lip seals & E7 triple lip seals
- For the Selection Guide, Load Ratings and Speed Limits, see the Link-Belt Spherical Roller Bearings Engineering section on pages 155 - 160.
- Note: Dimensions subject to change. Certified dimensions of ordered material furnished on request.

PB22600F, PEB22600F

Interchange: P4BIP, FSYR-N, USRBF5000A, QVVPF, DVPF



Photo Shows a 4-Bolt Spherical Roller Bearing Pillow Block Unit



Fixed

Expansion

Product Features

- Corrosion-resistant powder coating
- Cast iron housing
- Misalignment capabilities - total of 4°
- Broad range of sealing options
- Factory set clearance & lubrication
- Enhanced life mounting style
- Field interchangeable seals
- Fixed or Expansion - total of 3/8" expansion
- See Features and Benefits for additional info on pages 152 - 153.

Bearing Dimensions

Size Code	Shaft Diameter	Expansion		Fixed		A Base to Centerline Height	B Distance Between Bolt Holes	G Bolt Hole Spacing (Width)	C	D	E	F Bolts	H	M	P	S	U	W	Approx. Weight
		Part Number	L	Part Number	L														
B631	1 15/16	PEB22631FH	4 9/16	PB22631FH	4 9/16	2 1/4	6 1/4	1 19/32	8 3/8	3.08	3 3/16	1/2	1 3/8	2 31/32	39/64	13/16	1 55/64	2 9/32	13.00
B635	2 3/16	PEB22635FH	5	PB22635FH	5	2 1/2	6 3/4	1 11/16	8 7/8	3.16	3 1/4	1/2	1 5/8	3 5/32	5/8	13/16	1 29/32	2 7/16	15.00
B639	2 7/16	PEB22639FH	5 1/2	PB22639FH	5 1/2	2 3/4	7 1/8	1 3/4	9 1/4	3.28	3 3/8	1/2	1 3/4	3 5/8	9/8	13/16	1 31/32	2 9/16	19.00
B647	2 11/16	PEB22643FH	6 7/16	PB22643FH	6 7/16	3 1/4	8 1/8	1 7/8	10 7/16	3.86	3 3/4	5/8	2 1/4	4 5/32	46/64	15/16	2 19/64	2 25/32	30.00
	2 15/16	PEB22647FH		PB22647FH															29.00
B655	3 7/16	PEB22655FH	7 1/2	PB22655FH	7 1/2	3 3/4	10	2	13	4.29	4 1/8	3/4	2 1/4	4 15/16	55/64	1 1/2	2 37/64	3	43.00
B663	3 15/16	PEB22663FH	8 1/2	PB22663FH	8 1/2	4 1/4	12 1/2	2 1/4	15 1/4	4.94	4 1/2	3/4	2 5/8	5 7/16	15/16	1 1/4	2 15/16	3 7/16	67.00

Additional Notes

- Please call 1-866-REXNORD for availability
- Lubrication fitting tap size, 1/8" PT
- Base to centerline tolerance, +/- .005" (+/-0.13 mm)
- Expansion - is 3/8" for all size codes
- Dimensions for "D", "P" & "U" based on unmounted condition
- H labyrinth seals standard

All size codes available with type E lip seals & E7 triple lip seals
 For the Selection Guide, Load Ratings and Speed Limits, see the Link-Belt Spherical Roller Bearings Engineering section on pages 155 - 160.

Note: Dimensions subject to change. Certified dimensions of ordered material furnished on request.

PKB22400, PKEB22400

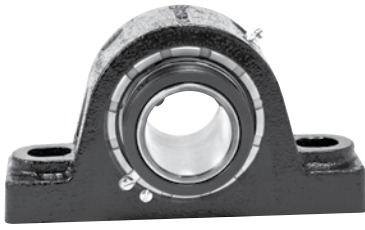
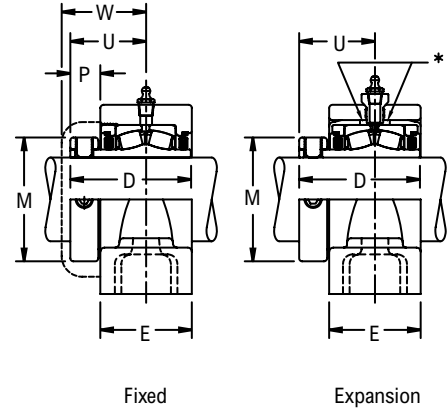
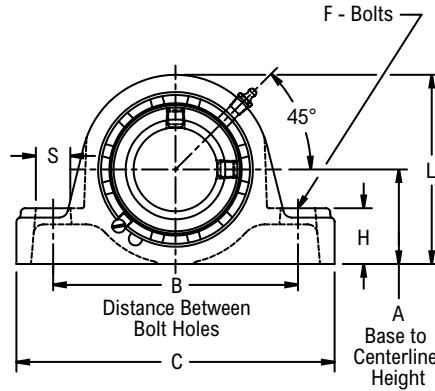


Photo Shows a 2-Bolt Spherical Roller Bearing Pillow Block Unit

Product Features

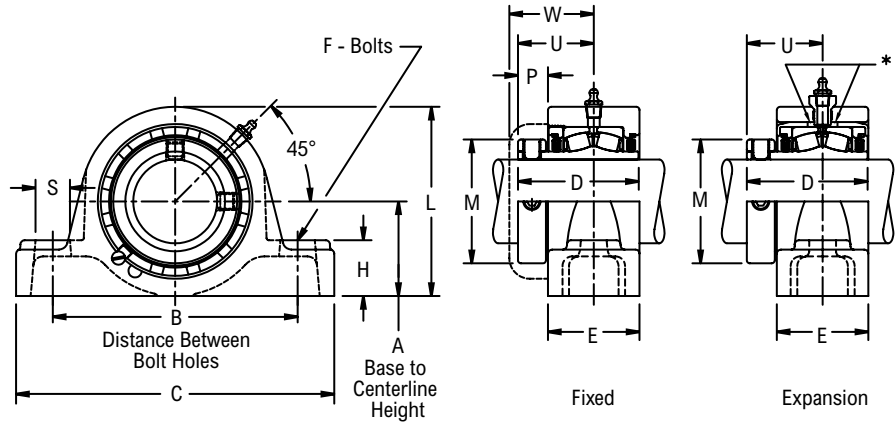
- Corrosion-resistant powder coating
- Cast steel housing
- Misalignment capabilities - total of 4°
- Broad range of sealing options
- Factory set clearance & lubrication
- Hardened spring locking collar
- Field interchangeable seals
- Fixed or Expansion - total of 3/8" expansion
- See Features and Benefits for additional info on pages 152 - 153.



Bearing Dimensions

Size Code	Shaft Diameter	Expansion		Fixed		A Base to Centerline Height	B Distance Between Bolt Holes	C	D	E	F Bolts	H	M	P	S	U	W	Approx. Weight														
		Part Number	L	Part Number	L																											
B420	1 3/16	-	-	PKB22419H	3 1/2	1 3/4	4 3/4	6 5/16	2 11/16	2 3/16	3/8	1 1/16	1 31/32	17/32	5/8	1 5/8	1 31/32	7.00														
	1 1/4	-	-	PKB22420H														3.20														
	30.00	-	-	PKB224M30H														88.90														
B424	1 7/16	PKEB22423H	3 7/8	PKB22423H	3 11/16	1 7/8	5	6 7/8	2 7/8	2 1/4	1/2	1 3/16	2 5/16	21/32	13/16	1 25/32	2 3/16	7.00														
	1 1/2	PKEB22424H		PKB22424H														3.40														
	35.00	PKEB224M35H		98.40														PKB224M35H	93.70	47.62	127.00	174.60	73.02	57.20	12.00	30.20	58.70	16.70	20.60	45.20	55.60	3.40
B428	1 5/8	PKEB22426H	4 3/8	PKB22426H	4 1/4	2 1/8	5 1/2	7 1/8	3 1/8	2 1/2	1/2	1 5/16	2 19/32	21/32	13/16	1 29/32	2 1/4	10.00														
	1 11/16	PKEB22427H		PKB22427H														4.80														
	1 3/4	PKEB22428H		PKB22428H														108.00														
B432	1 15/16	PKEB22431H	4 9/16	PKB22431H	4 9/16	2 1/4	6 1/4	8 3/8	3 1/8	2 1/2	5/8	1 3/8	2 7/8	21/32	15/16	1 29/32	2 9/32	12.00														
	2	PKEB22432H		PKB22432H														5.80														
	45.00	PKEB224M45H		115.90														PKB224M45H	115.90	57.15	158.80	212.70	79.38	63.50	16.00	34.90	73.00	16.70	23.80	48.40	57.90	5.50
B436	2 3/16	PKEB22435H	5	PKB22435H	5	2 1/2	6 3/4	8 7/8	3 5/16	2 9/16	5/8	1 5/8	3 1/4	25/32	15/16	2 1/16	2 7/16	16.00														
	2 1/4	PKEB22436H		PKB22436H														7.10														
	55.00	PKEB224M55H		127.00														PKB224M55H	127.00	63.50	171.40	225.40	84.14	65.10	16.00	41.30	82.60	19.80	23.80	52.40	61.90	7.10
B440	2 7/16	PKEB22439H	5 1/2	PKB22439H	5 1/2	2 3/4	7 1/8	9 1/4	3 1/2	2 11/16	5/8	1 3/4	3 9/16	27/32	15/16	2 3/16	2 9/16	19.00														
	2 1/2	PKEB22440H		PKB22440H														18.00														
	60.00	PKEB224M60H		139.70														PKB224M60H	139.70	69.85	181.00	235.00	88.90	68.30	16.00	44.40	90.50	21.40	23.80	55.60	65.10	8.60
B448	2 11/16	PKEB22443H	6 7/16	PKB22443H	6 7/16	3 1/4	8 1/8	10 7/16	4	3 3/16	3/4	2 1/4	4 1/16	27/32	1 1/16	2 7/16	2 25/32	30.00														
	2 3/4	PKEB22444H		PKB22444H														29.00														
	2 15/16	PKEB22447H		PKB22447H														28.00														
	3	PKEB22448H		PKB22448H														13.70														
	65.00	PKEB224M65H		163.50														PKB224M65H	163.50	82.55	206.40	265.10	101.60	81.00	20.00	57.20	103.20	21.40	27.00	61.90	70.60	13.50
B456	3 3/16	PKEB22451H	7 1/2	PKB22451H	7 1/2	3 3/4	10	13	4 3/8	3 7/16	7/8	2 1/4	4 29/32	15/16	1 5/8	2 21/32	3	45.00														
	3 7/16	PKEB22455H		PKB22455H														43.00														
	3 1/2	PKEB22456H		PKB22456H														20.20														
	80.00	PKEB224M80H		190.50														PKB224M80H	190.50	95.25	254.00	330.20	111.12	87.30	24.00	57.20	124.60	23.80	41.30	67.50	76.20	19.70
	85.00	PKEB224M85H		190.50														PKB224M85H	190.50	95.25	254.00	330.20	111.12	87.30	24.00	57.20	124.60	23.80	41.30	67.50	76.20	19.70
B464	3 11/16	PKEB22459H	8 1/2	PKB22459H	8 1/2	4 1/4	11 3/4	15 1/4	5 1/16	4 9/16	1	2 5/8	5 5/8	1 1/16	2 1/4	3 1/16	3 7/16	64.00														
	3 15/16	PKEB22463H		PKB22463H														62.00														

Continued...



Continued...

Bearing Dimensions

Size Code	Shaft Diameter	Expansion		Fixed		A Base to Centerline Height	B Distance Between Bolt Holes	C	D	E	F Bolts	H	M	P	S	U	W	Approx. Weight
		Part Number	L	Part Number	L													
B464	4	PKEB22464H	8 1/2	PKB22464H	8 1/2	4 1/4	11 3/4	15 1/4	5 1/16	4 3/16	1	2 5/8	5 5/8	1 1/16	2 1/4	3 1/16	3 7/16	62.00
	90.00	PKEB224M90H	215.90	PKB224M90H	215.90	107.95	298.40	387.40	128.59	106.4	24.00	66.70	142.90	27.00	57.20	77.80	87.30	29.90
	100.00	PKEB224M100H		PKB224M100H														28.10

Additional Notes

Please call 1-866-REXNORD for availability
 Lubrication fitting tap size, 1/8" PT
 Base to centerline tolerance, +/- .005" (+/- 0.13 mm)
 Expansion - is 3/8" for all size codes
 H labyrinth seals standard

All size codes available with type E lip seals & E7 triple lip seals
 For the Selection Guide, Load Ratings and Speed Limits, see the Link-Belt Spherical Roller Bearings Engineering section on pages 155 - 160.
 Note: Dimensions subject to change. Certified dimensions of ordered material furnished on request.

PKB22400F, PKEB22400F

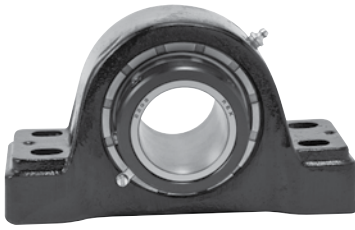
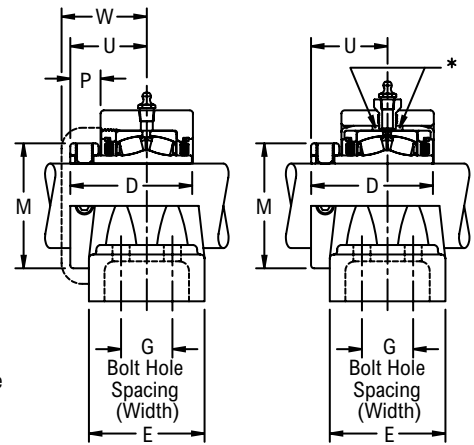
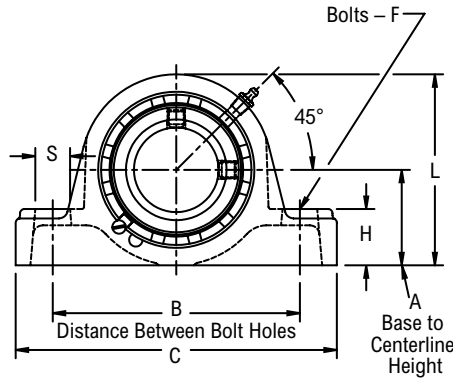


Photo Shows a 4-Bolt Spherical Roller Bearing Pillow Block Unit

Product Features

- Corrosion-resistant powder coating
- Cast steel housing
- Misalignment capabilities - total of 4°
- Broad range of sealing options
- Factory set clearance & lubrication
- Hardened spring locking collar
- Field interchangeable seals
- Fixed or Expansion - total of 3/8" expansion
- See Features and Benefits for additional info on pages 152 - 153.



Fixed

Expansion

Bearing Dimensions

Size Code	Shaft Diameter	Expansion		Fixed		A Base to Centerline Height	B Distance Between Bolt Holes	G Bolt Hole Spacing (Width)	C	D	E	F Bolts	H	L	M	P	S	U	W	Approx. Weight													
		Part Number	Part Number																														
B432	1 15/16	PKEB22431FH	PKB22431FH	2 1/4	6 1/4	1 19/32	8 3/8	3 1/8	3 3/16	1/2	1 3/8	4 9/16	2 7/8	21/32	13/16	1 29/32	2 9/32	13.00															
	2	PKEB22432FH	PKB22432FH																														
	45.00	PKEB224M45FH	PKB224M45FH																57.15	158.80	40.50	212.70	79.38	81.00	12.00	34.90	115.90	73.00	16.70	20.60	48.40	57.90	6.10
	50.00	PKEB224M50FH	PKB224M50FH																														
B436	2 3/16	PKEB22435FH	PKB22435FH	2 1/2	6 3/4	1 11/16	8 7/8	3 5/16	3 1/4	1/2	1 5/8	5	3 1/4	25/32	13/16	2 1/16	2 7/16	16.00															
	2 1/4	PKEB22436FH	PKB22436FH																														
	55.00	PKEB224M55FH	PKB224M55FH																63.50	171.40	42.90	225.40	84.14	82.60	12.00	41.30	127.00	82.60	19.80	20.60	52.40	61.90	7.30
B440	2 7/16	PKEB22439FH	PKB22439FH	2 3/4	7 1/8	1 3/4	9 1/4	3 1/2	3 3/8	1/2	1 3/4	5 1/2	3 9/16	27/32	13/16	2 3/16	2 9/16	20.00															
	2 1/2	PKEB22440FH	PKB22440FH																														
	60.00	PKEB224M60FH	PKB224M60FH																69.85	181.00	44.40	235.00	88.90	85.70	12.00	44.40	139.70	90.50	21.40	20.60	55.60	65.10	9.30
B448	2 11/16	PKEB22443FH	PKB22443FH	3 1/4	8 1/8	1 7/8	10 7/16	4	3 3/4	5/8	2 1/4	6 7/16	4 1/16	27/32	15/16	2 7/16	2 25/32	30.00															
	2 3/4	PKEB22444FH	PKB22444FH																														
	2 15/16	PKEB22447FH	PKB22447FH																														
	3	PKEB22448FH	PKB22448FH																														
	65.00	PKEB224M65FH	PKB224M65FH																														29.00
	70.00	PKEB224M70FH	PKB224M70FH																82.55	206.40	47.60	265.10	101.60	95.20	16.00	57.20	163.50	103.20	21.40	23.80	61.90	70.60	13.50
75.00	PKEB224M75FH	PKB224M75FH																13.00															
B456	3 3/16	PKEB22451FH	PKB22451FH	3 3/4	10	2	13	4 3/8	4 1/8	3/4	2 1/4	7 1/2	4 29/32	15/16	1 1/2	2 21/32	3	49.00															
	3 7/16	PKEB22455FH	PKB22455FH																														
	3 1/2	PKEB22456FH	PKB22456FH																														
	80.00	PKEB224M80FH	PKB224M80FH																95.25	254.00	50.80	330.20	111.12	104.80	20.00	57.20	190.50	124.60	23.80	38.10	67.50	76.20	22.00
	85.00	PKEB224M85FH	PKB224M85FH																														
B464	3 11/16	PKEB22459FH	PKB22459FH	4 1/4	12 1/2	2 1/4	15 1/4	5 1/16	4 1/2	3/4	2 5/8	8 1/2	5 5/8	1 1/16	1 1/4	3 1/16	3 7/16	76.00															
	3 15/16	PKEB22463FH	PKB22463FH																														
	4	PKEB22464FH	PKB22464FH																														
	90.00	PKEB224M90FH	PKB224M90FH																107.95	317.50	57.20	387.40	128.59	114.30	20.00	66.70	215.90	142.90	27.00	31.80	77.80	87.30	35.20
	100.00	PKEB224M100FH	PKB224M100FH																														

Additional Notes

- Please call 1-866-REXNORD for availability
- Lubrication fitting tap size, 1/8" PT
- Base to centerline tolerance, +/- .005" (+/- 0.13 mm)
- Expansion - is 3/8" for all size codes
- H labyrinth seals standard
- All size codes available with type E lip seals & E7 triple lip seals

For the Selection Guide, Load Ratings and Speed Limits, see the Link-Belt Spherical Roller Bearings Engineering section on pages 155 - 160.

Note: Dimensions subject to change. Certified dimensions of ordered material furnished on request.

PKB22500F, PKEB22500F

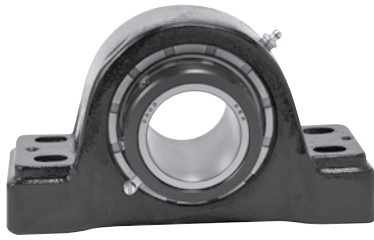
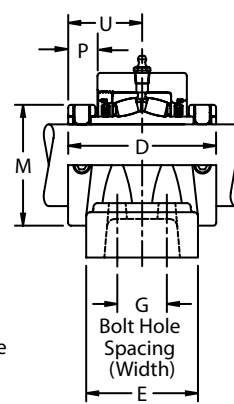
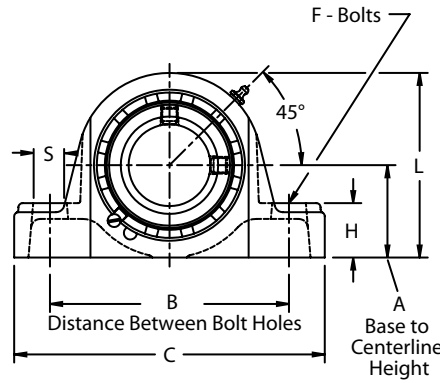


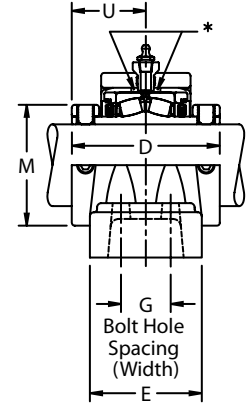
Photo Shows a 4-Bolt Spherical Roller Bearing Pillow Block Unit

Product Features

- Corrosion-resistant powder coating
- Cast steel housing
- Misalignment capabilities - total of 4°
- Broad range of sealing options
- Factory set clearance & lubrication
- Two hardened spring locking collars
- Field interchangeable seals
- Fixed or Expansion - total of 3/8" expansion
- See Features and Benefits for additional info on pages 152 - 153.



Fixed



Expansion

Bearing Dimensions

Size Code	Shaft Diameter	Expansion		Fixed		A Base to Centerline Height	B Distance Between Bolt Holes	G Bolt Hole Spacing (Width)	C	D	E	F Bolts	H	L	M	P	S	U	Approx. Weight
		Part Number	Part Number	Part Number	Part Number														
B572	4 ³ / ₁₆	PKEB22567YFH	PKB22567YFH			4 ³ / ₄	13 ¹ / ₂	2 ¹ / ₂	16 ¹ / ₂	6 ¹ / ₄	4 ³ / ₄	³ / ₄	2 ³ / ₄	10	6 ³ / ₁₆	1	1 ²⁹ / ₆₄	3 ¹ / ₈	97.00
	4 ⁷ / ₁₆	PKEB22571YFH	PKB22571YFH																93.00
	4 ¹ / ₂	PKEB22572YFH	PKB22572YFH																92.00
	110.00	PKEB225M110YFH	PKB225M110YFH	120.65	342.90	63.50	419.10	158.75	120.60	20.00	69.80	254.00	157.16	25.4	36.90	79.50	43.00		
	115.00	PKEB225M115YFH	PKB225M115YFH																41.70
B580	4 ¹⁵ / ₁₆	PKEB22579YFH	PKB22579YFH			5 ¹ / ₂	15 ¹ / ₂	2 ³ / ₄	18 ¹ / ₂	7 ⁷ / ₈	6 ³ / ₈	⁷ / ₈	3	11 ²³ / ₃₂	7 ¹ / ₁₆	1 ⁵ / ₃₂	1 ⁹ / ₁₆	3 ¹⁵ / ₁₆	125.00
	5	PKEB22580YFH	PKB22580YFH																124.00
	125.00	PKEB225M125YFH	PKB225M125YFH	139.70	393.70														69.80

Additional Notes

- Please call 1-866-REXNORD for availability
- Lubrication fitting tap size, 1/8" PT
- Base to centerline tolerance, +/- .005" (+/- 0.13 mm)
- Expansion - is 3/8" for all size codes
- H labyrinth seals standard

All size codes available with type E lip seals & E7 triple lip seals
 For the Selection Guide, Load Ratings and Speed Limits, see the Link-Belt Spherical Roller Bearings Engineering section on pages 155 - 160.

Note: Dimensions subject to change. Certified dimensions of ordered material furnished on request.

PKB22600, PKEB22600

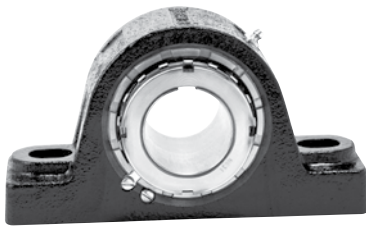
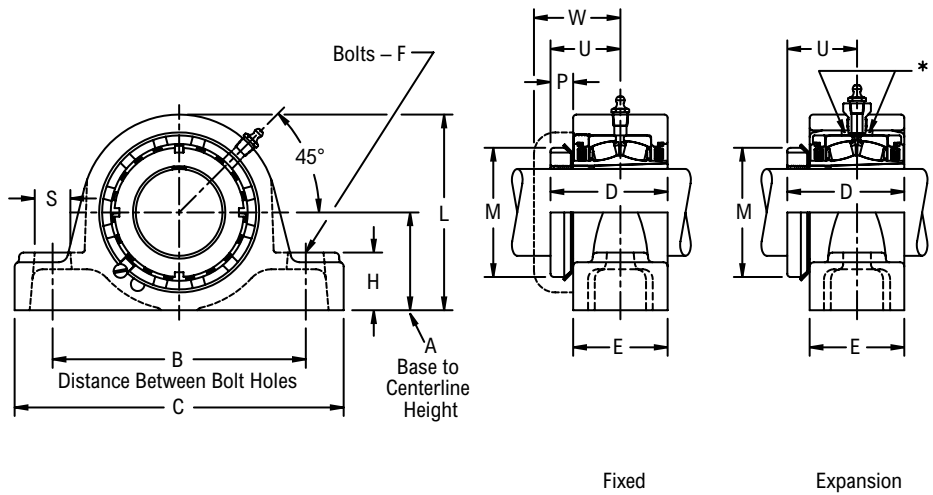


Photo Shows a 2-Bolt Spherical Roller Bearing Pillow Block Unit

Product Features

- Corrosion-resistant powder coating
- Cast steel housing
- Misalignment capabilities - total of 4°
- Broad range of sealing options
- Factory set clearance & lubrication
- Enhanced life mounting style
- Field interchangeable seals
- Fixed or Expansion - total of 3/8" expansion
- See Features and Benefits for additional info on pages 152 - 153.



Bearing Dimensions

Size Code	Shaft Diameter	Expansion		Fixed		A Base to Centerline Height	B Distance Between Bolt Holes	C	D	E	F Bolts	H	M	P	U	S	W	Approx. Weight
		Part Number	L	Part Number	L													
B624	1 7/16	PKEB22623H	3 7/8	PKB22623H	3 11/16	1 7/8	5	6 7/8	2.71	2 1/4	1/2	1 3/16	2 1/4	1/2	1 39/64	13/16	2 3/16	7.00
B631	1 15/16	PKEB22631H	4 9/16	PKB22631H	4 9/16	2 1/4	6 1/4	8 3/8	3.08	2 1/2	5/8	1 3/8	2 31/32	39/64	1 55/64	15/16	2 9/32	12.00
B635	2 3/16	PKEB22635H	5	PKB22635H	5	2 1/2	6 3/4	8 7/8	3.16	2 9/16	5/8	1 5/8	3 5/32	5/8	1 29/32	15/16	2 7/16	16.00
B639	2 7/16	PKEB22639H	5 1/2	PKB22639H	5 1/2	2 3/4	7 1/8	9 1/4	3.28	2 11/16	5/8	1 3/4	3 5/8	45/64	1 31/32	15/16	2 9/16	18.00
B647	2 11/16	PKEB22643H	6 7/16	PKB22643H	6 7/16	3 1/4	8 1/8	10 7/16	3.86	3 3/16	3/4	2 1/4	4 5/32	55/64	2 19/64	1 1/16	2 25/32	30.00
	2 15/16	PKEB22647H		PKB22647H														29.00
B655	3 7/16	PKEB22655H	7 1/2	PKB22655H	7 1/2	3 3/4	10	13	4.29	3 7/16	7/8	2 1/4	4 15/16	7/8	2 37/64	1 5/8	3	43.00
B663	3 15/16	PKEB22663H	8 1/2	PKB22663H	8 1/2	4 1/4	11 3/4	15 1/4	4.94	4 3/16	1	2 5/8	5 7/16	1 5/16	2 15/16	2 1/4	3 7/16	62.00

Additional Notes

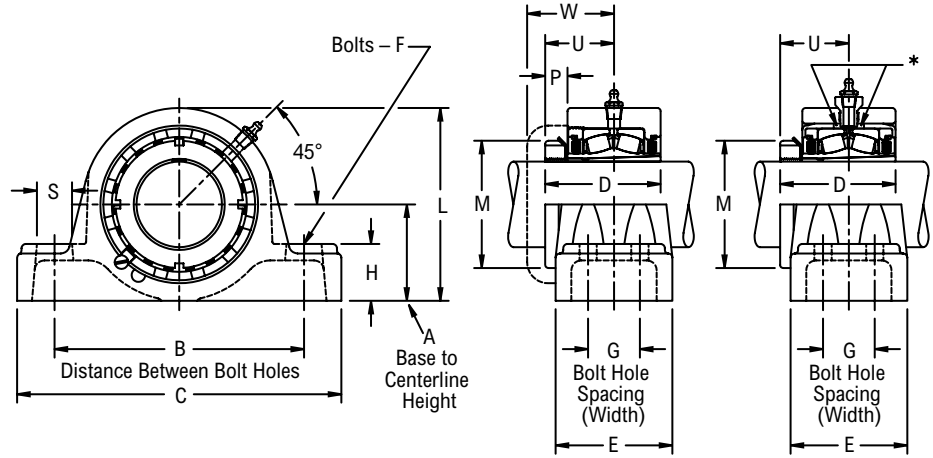
- Please call 1-866-REXNORD for availability
- Lubrication fitting tap size, 1/8" PT
- Base to centerline tolerance, +/- .005" (+/- 0.13 mm)
- Expansion - is 3/8" for all size codes
- Dimensions for "D", "P" & "U" based on unmounted condition
- H labyrinth seals standard

All size codes available with type E lip seals & E7 triple lip seals
 For the Selection Guide, Load Ratings and Speed Limits, see the Link-Belt Spherical Roller Bearings Engineering section on pages 155 - 160.
 Note: Dimensions subject to change. Certified dimensions of ordered material furnished on request.

PKB22600F, PKEB22600F



Photo Shows a 4-Bolt Spherical Roller Bearing Pillow Block Unit



Fixed

Expansion

Product Features

- Corrosion-resistant powder coating
- Cast steel housing
- Misalignment capabilities - total of 4°
- Broad range of sealing options
- Factory set clearance & lubrication
- Enhanced life mounting style
- Field interchangeable seals
- Fixed or Expansion - total of 3/8" expansion
- See Features and Benefits for additional info on pages 152 - 153.

Bearing Dimensions

Size Code	Shaft Diameter	Expansion		Fixed		A Base to Centerline Height	B Distance Between Bolt Holes	G Bolt Hole Spacing (Width)	C	D	E	F Bolts	H	L	M	P	S	U	W	Approx. Weight
		Part Number	Part Number																	
B631	1 15/16	PKEB22631FH	PKB22631FH	2 1/4	6 1/4	1 19/32	8 3/8	3.08	3 3/16	1/2	1 3/8	4 9/16	2 31/32	39/64	13/16	1 55/64	2 9/32			13.00
B635	2 3/16	PKEB22635FH	PKB22635FH	2 1/2	6 3/4	1 11/16	8 7/8	3.16	3 1/4	1/2	1 5/8	5	3 5/32	5/8	13/16	1 29/32	2 7/16			16.00
B639	2 7/16	PKEB22639FH	PKB22639FH	2 3/4	7 1/8	1 3/4	9 1/4	3.28	3 3/8	1/2	1 3/4	5 1/2	3 5/8	5/8	13/16	1 31/32	2 9/16			20.00
B647	2 11/16	PKEB22643FH	PKB22643FH	3 1/4	8 1/8	1 7/8	10 7/16	3.86	3 3/4	5/8	2 1/4	6 7/16	4 5/32	46/64	15/16	2 19/64	2 25/32			30.00
	2 15/16	PKEB22647FH	PKB22647FH																	29.00
B655	3 7/16	PKEB22655FH	PKB22655FH	3 3/4	10	2	13	4.29	4 1/8	3/4	2 1/4	7 1/2	4 15/16	55/64	1 1/2	2 37/64	3			47.00
B663	3 15/16	PKEB22663FH	PKB22663FH	4 1/4	12 1/2	2 1/4	15 1/4	4.94	4 1/2	3/4	2 5/8	8 1/2	5 7/16	15/16	1 1/4	2 15/16	3 7/16			74.00

Additional Notes

- Please call 1-866-REXNORD for availability
- Lubrication fitting tap size, 1/8" PT
- Base to centerline tolerance, +/- .005" (+/- 0.13 mm)
- Expansion - is 3/8" for all size codes
- Dimensions for "D", "P" & "U" based on unmounted condition
- H labyrinth seals standard

All size codes available with type E lip seals & E7 triple lip seals
 For the Selection Guide, Load Ratings and Speed Limits, see the Link-Belt Spherical Roller Bearings Engineering section on pages 155 - 160.

Note: Dimensions subject to change. Certified dimensions of ordered material furnished on request.

EPB22400, EPEB22400

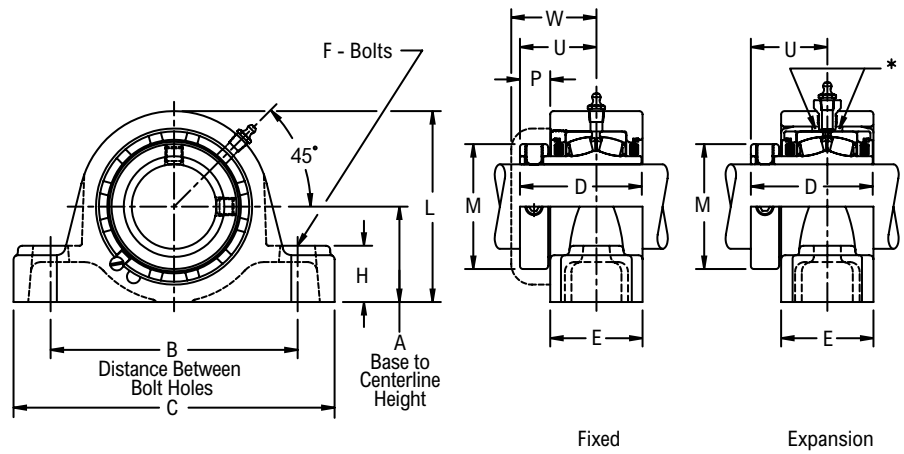
Interchange: EP2BS2, P2BE, SYE, USRBE5000, (E)RPBA, QAP, EP2BTRB



Photo Shows a 2-Bolt Spherical Roller Bearing Pillow Block Unit

Product Features

- Self-aligning type E interchange
- Corrosion-resistant powder coating
- Cast iron housing
- Misalignment capabilities - total of 4°
- Broad range of sealing options
- Factory set clearance & lubrication
- Hardened spring locking collar
- Field interchangeable seals
- Fixed or Expansion - total of 3/8" expansion
- See Features and Benefits for additional info on pages 152 - 153.



Bearing Dimensions

Size Code	Shaft Diameter	Expansion / Fixed		A Base to Centerline Height	B Distance Between Bolt Holes		C	D	E	F Bolts	H	L	M	P	U	W	Approx. Weight
		Part Number	Part Number		Min	Max											
B424	1 7/16	EPEB22423H	EPB22423H	1 7/8	4 3/4	6	7 3/8	2 7/8	2 1/4	1/2	1 1/8	3 7/8	2 5/16	2 1/32	1 25/32	2 3/16	8.00
	35.00	EPEB224M35H	EPB224M35H	47.62	120.60	152.40	187.30	73.02	57.20	12.00	28.60	98.40	58.70	16.70	45.20	55.60	3.10
B428	1 1/2	EPEB224B24H	EPB224B24H	2 1/8	5 1/4	6 1/2	7 7/8	3 1/8	2 1/2	1/2	1 1/4	4 3/8	2 19/32	2 1/32	1 29/32	2 1/4	11.00
	1 5/8	EPEB22426H	EPB22426H														
	1 11/16	EPEB22427H	EPB22427H														
	40.00	EPEB224M40H	EPB224M40H	53.98	133.40	165.10	200.00	79.38	63.50	12.00	31.80	111.10	65.90	16.70	48.40	57.20	5.40
B432	1 3/4	EPEB224B28H	EPB224B28H	2 1/4	6 1/16	7 1/4	8 7/8	3 1/8	2 1/2	5/8	1 5/16	4 9/16	2 7/8	2 1/32	1 29/32	2 9/32	12.00
	1 15/16	EPEB22431H	EPB22431H														
	2	EPEB22432H	EPB22432H														
	45.00	EPEB224M45H	EPB224M45H														
	50.00	EPEB224M50H	EPB224M50H	57.15	154.00	184.20	225.40	79.38	63.50	16.00	33.30	115.90	73.00	16.70	48.40	57.90	5.50
																	5.20
B436	2 3/16	EPEB22435H	EPB22435H	2 1/2	6 9/16	8	9 5/8	3 5/16	2 9/16	5/8	1 1/2	5	3 1/4	2 5/32	2 1/16	2 7/16	15.00
	55.00	EPEB224M55H	EPB224M55H	63.50	166.70	203.20	244.50	84.14	65.10	16.00	38.10	127.00	82.60	19.80	52.40	61.90	6.60
B440	2 1/4	EPEB224B36H	EPB224B36H	2 3/4	6 15/16	8 3/4	10 1/2	3 1/2	2 11/16	5/8	1 5/8	5 1/2	3 9/16	2 7/32	2 3/16	2 9/16	17.00
	2 7/16	EPEB22439H	EPB22439H														
	2 1/2	EPEB22440H	EPB22440H														
	60.00	EPEB224M60H	EPB224M60H	69.85	176.20	222.20	266.70	88.90	68.30	16.00	41.30	139.70	90.50	21.40	55.60	65.10	8.20
B448	2 11/16	EPEB22443H	EPB22443H	3 1/8	7 13/16	9 3/4	11 13/16	4	3 3/16	3/4	1 7/8	6 5/16	4 1/16	2 7/32	2 7/16	2 25/32	28.00
	2 3/4	EPEB22444H	EPB22444H														
	2 15/16	EPEB22447H	EPB22447H														
	3	EPEB22448H	EPB22448H														
	65.00	EPEB224M65H	EPB224M65H														
	70.00	EPEB224M70H	EPB224M70H	79.38	198.40	247.60	300.00	101.60	81.00	20.00	47.60	160.30	103.20	21.40	61.90	70.60	13.50
	75.00	EPEB224M75H	EPB224M75H														13.30
																	12.80
B456	3 3/16	EPEB22451H	EPB22451H	3 3/4	9 5/16	11 5/16	13 13/16	4 3/8	3 1/2	7/8	2 1/4	7 1/2	4 29/32	1 5/16	2 21/32	3	43.00
	3 7/16	EPEB22455H	EPB22455H														
	3 1/2	EPEB22456H	EPB22456H														
	80.00	EPEB224M80H	EPB224M80H														
	85.00	EPEB224M85H	EPB224M85H	95.25	236.50	287.30	350.80	111.12	88.90	24.00	57.20	190.50	124.60	23.80	67.50	76.20	20.00
																	19.50

Additional Notes

- Please call 1-866-REXNORD for availability
- Lubrication fitting tap size, 1/8" PT
- Base to centerline tolerance, +/- .005" (+/- 0.13 mm)
- Expansion - is 3/8" for all size codes
- H labyrinth seals standard
- All size codes available with type E lip seals & E7 triple lip seals

For the Selection Guide, Load Ratings and Speed Limits, see the Link-Belt Spherical Roller Bearings Engineering section on pages 155 - 160.

Note: Dimensions subject to change. Certified dimensions of ordered material furnished on request.

EPB22400F, EPEB22400F

Interchange: EP4BS2, P4BE, FSYE, (E)RPBA, QAPR, EP4BTRB

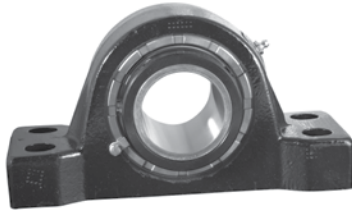
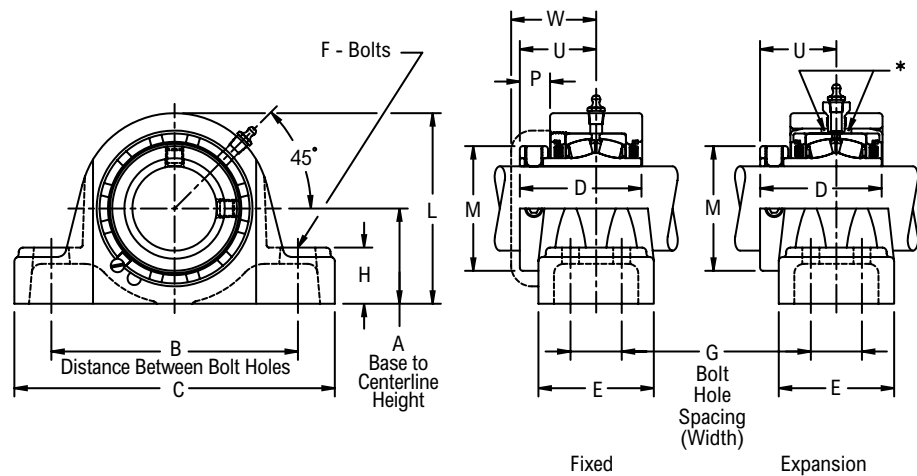


Photo Shows a 4-Bolt Spherical Roller Bearing Pillow Block Unit

Product Features

- Self-aligning type E interchange
- Corrosion-resistant powder coating
- Cast iron housing
- Misalignment capabilities - total of 4°
- Broad range of sealing options
- Factory set clearance & lubrication
- Hardened spring locking collar
- Field interchangeable seals
- Fixed or Expansion - total of 3/8" expansion
- See Features and Benefits for additional info on pages 152 - 153.



Bearing Dimensions

Size Code	Shaft Diameter	Expansion		Fixed		A Base to Centerline Height	B Distance Between Bolt Holes		G Bolt Hole Spacing (Width)	C	D	E	F Bolts	H	L	M	P	U	W	Approx. Weight														
		Part Number	Part Number	Min	Max																													
B440	2 1/4	EPEB224B36FH	EPB224B36FH	2 3/4	6 15/16	8 3/4	1 7/8	10 1/2	3 1/2	3 5/8	5/8	1 5/8	5 1/2	3 9/16	27/32	2 3/16	2 9/16	21.00	20.00	8.80														
	2 7/16	EPEB22439FH	EPB22439FH																															
	2 1/2	EPEB22440FH	EPB22440FH																															
	60.00	EPEB224M60FH	EPB224M60FH																		69.85	176.20	222.20	47.60	266.70	88.90	92.10	16.00	41.30	139.70	90.50	21.4	55.60	65.1
B448	2 11/16	EPEB22443FH	EPB22443FH	3 1/8	7 13/16	9 7/8	2 1/8	11 13/16	4	4 1/4	5/8	1 7/8	6 5/16	4 1/16	27/32	2 7/16	2 25/32	31.00	29.00	14.00														
	2 3/4	EPEB22444FH	EPB22444FH																															
	2 15/16	EPEB22447FH	EPB22447FH																															
	3	EPEB22448FH	EPB22448FH																															
	65.00	EPEB224M65FH	EPB224M65FH																		79.38	198.40	250.80	54.00	300.00	101.60	108.00	16.00	47.60	160.30	103.20	21.4	61.90	70.6
	70.00	EPEB224M70FH	EPB224M70FH																		75.00	EPEB224M75FH	EPB224M75FH	13.30										
B456	3 3/16	EPEB22451FH	EPB22451FH	3 3/4	9 5/16	11 5/16	2 3/8	13 13/16	4 3/8	4 3/4	3/4	2 1/4	7 1/2	4 29/32	15/16	2 21/32	3	47.00	46.00	21.30														
	3 7/16	EPEB22455FH	EPB22455FH																															
	3 1/2	EPEB22456FH	EPB22456FH																															
	80.00	EPEB224M80FH	EPB224M80FH																		95.25	236.50	290.50	60.30	350.80	111.12	120.60	20.00	57.20	190.50	124.60	23.8	67.50	76.2
	85.00	EPEB224M85FH	EPB224M85FH																		20.80													
B464	3 11/16	EPEB22459FH	EPB22459FH	4 1/4	11 7/8	13	2 1/4	15 1/4	5 1/16	4 1/2	3/4	2 5/8	8 1/2	5 5/8	1 1/16	3 7/16	3 7/16	69.00	67.00	32.10														
	3 15/16	EPEB22463FH	EPB22463FH																															
	4	EPEB22464FH	EPB22464FH																															
	90.00	EPEB224M90FH	EPB224M90FH																		107.95	301.60	330.20	57.20	387.40	128.59	114.30	20.00	66.70	215.90	142.90	27.0	77.80	87.3
	100.00	EPEB224M100FH	EPB224M100FH																		30.30													

Additional Notes

- Please call 1-866-REXNORD for availability
- Lubrication fitting tap size, 1/8" PT
- Base to centerline tolerance, +/- .005" (+/- 0.13 mm)
- Expansion - is 3/8" for all size codes
- H labyrinth seals standard
- All size codes available with type E lip seals & E7 triple lip seals

For the Selection Guide, Load Ratings and Speed Limits, see the Link-Belt Spherical Roller Bearings Engineering section on pages 155 - 160.

Note: Dimensions subject to change. Certified dimensions of ordered material furnished on request.

EPB22500, EPEB22500, EPB22500F, EPEB22500F

Interchange: (E)RPB, QAAP(F), QAAPR

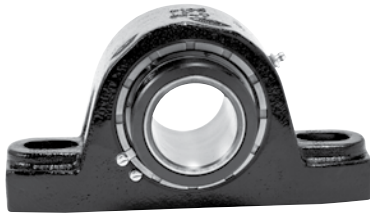
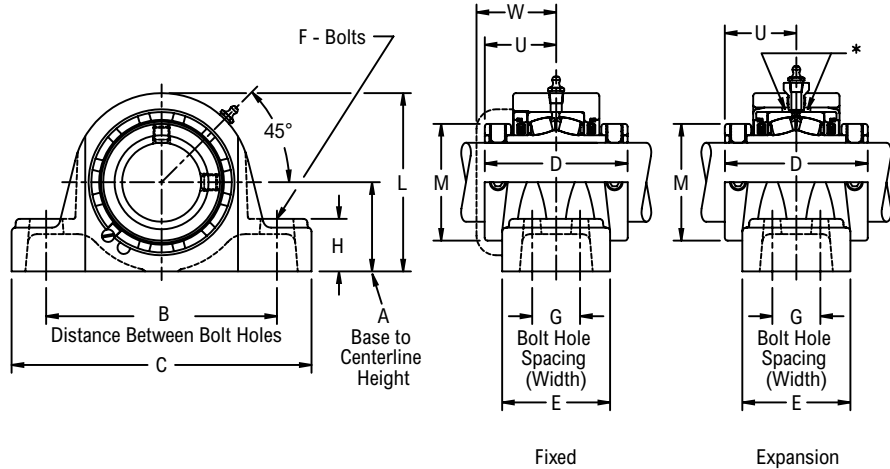


Photo Shows a 2-Bolt Spherical Roller Bearing Pillow Block Unit

Product Features

- Self-aligning type E interchange
- Corrosion-resistant powder coating
- Cast iron housing
- Misalignment capabilities - total of 4°
- Broad range of sealing options
- Factory set clearance & lubrication
- Two hardened spring locking collars
- Field interchangeable seals
- Fixed or Expansion - total of 3/8" expansion
- See Features and Benefits for additional info on pages 152 - 153.



Bearing Dimensions

Size Code	Shaft Diameter	Expansion		Fixed		A Base to Centerline Height	B Distance Between Bolt Holes		G Bolt Hole Spacing (Width)	C	D	E	F Bolts	H	L	M	U	W	Approx. Weight
		Part Number	Part Number	Min	Max														
Two-Bolt Pillow Block																			
B524	1 7/16	EPEB22523H	EPB22523H	1 7/8	4 3/4	6	-	7 3/8	3 9/16	2 1/4	1/2	1 1/8	3 7/8	2 5/16	1 25/32	2 3/16	2 3/16	8.00	
B528	1 11/16	EPEB22527H	EPB22527H	2 1/8	5 1/2	6 1/2	-	7 7/8	3 13/16	2 1/2	1/2	1 1/4	4 3/8	2 19/32	1 29/32	2 1/4	2 1/4	12.00	
B531	1 15/16	EPEB22531H	EPB22531H	2 1/4	6 1/16	7 1/4	-	8 7/8	3 13/16	2 1/2	5/8	1 5/16	4 9/16	2 7/8	1 29/32	2 9/32	2 9/32	13.00	
B536	2 3/16	EPEB22535H	EPB22535H	2 1/2	6 9/16	8	-	9 5/8	4 1/8	2 9/16	5/8	1 1/2	5	3 1/4	2 1/16	2 7/16	2 7/16	16.00	
B540	2 7/16	EPEB22539H	EPB22539H	2 3/4	6 15/16	8 3/4	-	10 1/2	4 3/8	2 11/16	5/8	1 5/8	5 1/2	3 9/16	2 3/16	2 9/16	2 9/16	18.00	
B548	2 11/16	EPEB22543H	EPB22543H	3 1/8	7 13/16	9 3/4	-	11 11/16	4 7/8	3 13/16	3/4	1 7/8	6 5/16	4 1/16	2 7/16	2 25/32	2 25/32	3	31.00
																			29.00
B556	3 7/16	EPEB22555H	EPB22555H	3 3/4	9 5/16	11 5/16	-	13 13/16	5 5/16	3 1/2	7/8	2 1/4	7 1/2	4 29/32	2 21/32	3	3	45.00	
Four-Bolt Pillow Block																			
B540	2 7/16	EPEB22539FH	EPB22539FH	2 3/4	6 15/16	8 3/4	1 7/8	10 1/2	4 3/8	3 5/8	5/8	1 5/8	5 1/2	3 9/16	2 3/16	2 9/16	2 9/16	21.00	
B548	2 11/16	EPEB22543FH	EPB22543FH	3 1/8	7 13/16	9 7/8	2 1/8	11 13/16	4 7/8	4 1/4	5/8	1 7/8	6 5/16	4 1/16	2 7/16	2 25/32	2 25/32	3	33.00
																			31.00
B556	3 7/16	EPEB22555FH	EPB22555FH	3 3/4	9 5/16	11 7/16	2 3/8	13 13/16	5 5/16	4 3/4	3/4	2 1/4	7 1/2	4 29/32	2 21/32	3	3	48.00	
B564	3 15/16	EPEB22563FH	EPB22563FH	4 1/4	11 7/8	13	2 1/4	15 1/4	6 1/8	4 1/2	3/4	2 5/8	8 5/8	5 5/8	3 1/16	3 7/16	3 7/16	3	71.00
																			70.00
B572	4 3/16	EPEB22567YFH	EPB22567YFH	4 3/4	12 3/4	14 1/8	2 1/2	16 1/2	6 1/4	4 5/8	3/4	2 3/4	9 3/8	6 3/16	3 1/8	-	-	-	92.00
																			88.00
																			87.00
																			40.70
	110.00	EPEB225M110YFH	EPB225M110YFH	120.65	323.90	358.80	63.50	419.10	158.75	117.48	20.00	69.80	238.10	157.16	79.37	-	-	39.50	
	115.00	EPEB225M115YFH	EPB225M115YFH																
B580	4 15/16	EPEB22579YFH	EPB22579YFH	5 1/2	14 5/16	16 1/8	2 3/4	18 1/2	7 7/8	5 9/16	7/8	3	11 1/8	7 1/16	3 15/16	-	-	129.00	
																		128.00	
																		125.00	
	125.00	EPEB225M125YFH	EPB225M125YFH	139.70	363.60	409.60	69.80	469.90	200.02	141.29	24.00	76.20	282.57	179.38	100.01	-	-	58.10	

Additional Notes

- Please call 1-866-REXNORD for availability
- Lubrication fitting tap size, 1/8" PT
- Base to centerline tolerance, +/- .005" (+/- 0.13 mm)
- Expansion - is 3/8" for all size codes
- H labyrinth seals standard
- All size codes available with type E lip seals & E7 triple lip seals

For the Selection Guide, Load Ratings and Speed Limits, see the Link-Belt Spherical Roller Bearings Engineering section on pages 155 - 160.

Note: Dimensions subject to change. Certified dimensions of ordered material furnished on request.

EPB22600, EPEB22600

Interchange: EP2BIP, USRBE5000A, QVVP, DVP

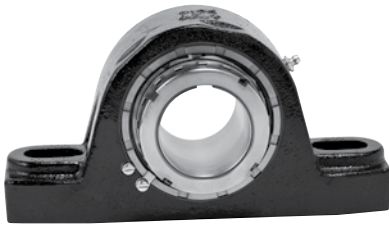
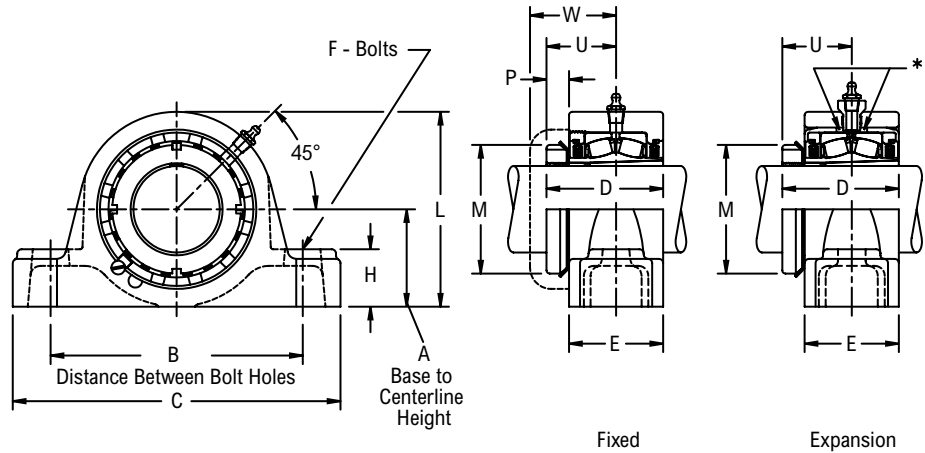


Photo Shows a 2-Bolt Spherical Roller Bearing Pillow Block Unit

Product Features

- Self-aligning type E interchange
- Corrosion-resistant powder coating
- Cast iron housing
- Misalignment capabilities - total of 4°
- Broad range of sealing options
- Factory set clearance & lubrication
- Enhanced life mounting style
- Field interchangeable seals
- Fixed or Expansion - total of 3/8" expansion
- See Features and Benefits for additional info on pages 152 - 153.



Fixed

Expansion

Bearing Dimensions

Size Code	Shaft Diameter	Expansion		Fixed		A Base to Centerline Height	B Distance Between Bolt Holes		C	D	E	F Bolts	H	L	M	P	U	W	Approx. Weight
		Part Number	Part Number	Min	Max														
B624	1 7/16	EPEB22623H	EPB22623H	1 7/8	4 3/4	6	7 3/8	2.71	2 1/4	1 1/2	1 1/8	3 7/8	2 1/4	1 1/2	1 39/64	2 3/16	8.00		
B631	1 15/16	EPEB22631H	EPB22631H	2 1/4	6 1/16	7 1/4	8 7/8	3.08	2 1/2	5/8	1 5/16	4 9/16	2 31/32	39/64	1 55/64	2 9/32	12.00		
B635	2 3/16	EPEB22635H	EPB22635H	2 1/2	6 9/16	8	9 5/8	3.16	2 9/16	5/8	1 1/2	5	3 5/32	5/8	1 29/32	2 7/16	15.00		
B639	2 7/16	EPEB22639H	EPB22639H	2 3/4	6 15/16	8 3/4	10 1/2	3.28	2 11/16	5/8	1 5/8	5 1/2	3 5/8	45/64	1 31/32	2 9/16	17.00		
B647	2 11/16	EPEB22643H	EPB22643H	3 1/8	7 13/16	9 3/4	11 13/16	3.86	3 3/16	3/4	1 7/8	6 5/16	4 5/32	55/64	2 19/64	2 25/32	29.00		
	2 15/16	EPEB22647H	EPB22647H															27.00	
B655	3 7/16	EPEB22655H	EPB22655H	3 3/4	9 5/16	11 5/16	13 13/16	4.29	3 1/2	7/8	2 1/4	7 1/2	4 15/16	7/8	2 37/64	3	43.00		

Additional Notes

- Please call 1-866-REXNORD for availability
- Lubrication fitting tap size, 1/8" PT
- Base to centerline tolerance, +/- .005" (+/- 0.13 mm)
- Expansion - is 3/8" for all size codes
- Dimensions for "D", "P" & "U" based on unmounted condition
- H labyrinth seals standard

All size codes available with type E lip seals & E7 triple lip seals
 For the Selection Guide, Load Ratings and Speed Limits, see the Link-Belt Spherical Roller Bearings Engineering section on pages 155 - 160.

Note: Dimensions subject to change. Certified dimensions of ordered material furnished on request.

EPB22600F, EPEB22600F
Interchange: EP4BIP, QVVP

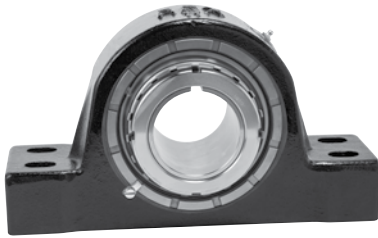
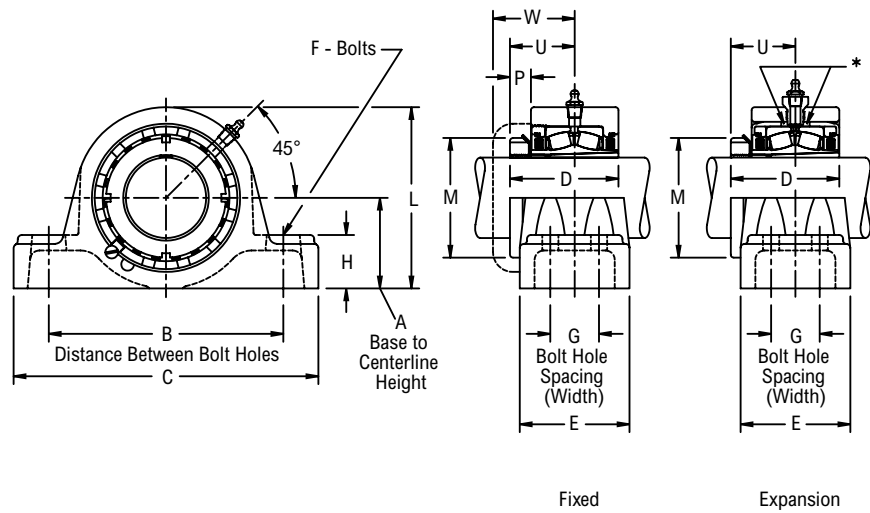


Photo Shows a 4-Bolt Spherical Roller Bearing Pillow Block Unit

Product Features

- Self-aligning type E interchange
- Corrosion-resistant powder coating
- Cast iron housing
- Misalignment capabilities - total of 4°
- Broad range of sealing options
- Factory set clearance & lubrication
- Enhanced life mounting style
- Field interchangeable seals
- Fixed or Expansion - total of 3/8" expansion
- See Features and Benefits for additional info on pages 152 - 153.



Bearing Dimensions

Size Code	Shaft Diameter	Expansion		Fixed		A Base to Centerline Height	B Distance Between Bolt Holes		G Bolt Hole Spacing (Width)	C	D	E	F Bolts	H	L	M	P	U	W	Approx. Weight
		Part Number	Part Number	Min	Max															
B639	2 7/16	EPEB22639FH	EPB22639FH	2 3/4	6 15/16	8 3/4	1 7/8	10 1/2	3.28	3 5/8	5/8	1 5/8	5 1/2	3 5/8	5/8	1 31/32	2 9/16	20.00		
B647	2 11/16	EPEB22643FH	EPB22643FH	3 1/8	7 13/16	9 7/8	2 1/8	11 13/16	3.86	4 1/4	5/8	1 7/8	6 5/16	4 5/32	45/64	2 19/64	2 25/32	31.00		
	2 15/16	EPEB22647FH	EPB22647FH	3 3/4	9 5/16	11 5/16	2 3/8	13 13/16	4.29	4 3/4	3/4	2 1/4	7 1/2	4 15/16	55/64	2 37/64	3	29.00		
B655	3 7/16	EPEB22655FH	EPB22655FH	3 3/4	9 5/16	11 5/16	2 3/8	13 13/16	4.29	4 3/4	3/4	2 1/4	7 1/2	4 15/16	55/64	2 37/64	3	46.00		

Additional Notes

- Please call 1-866-REXNORD for availability
- Lubrication fitting tap size, 1/8" PT
- Base to centerline tolerance, +/- .005" (+/- 0.13 mm)
- Expansion - is 3/8" for all size codes
- Dimensions for "D", "P" & "U" based on unmounted condition
- H labyrinth seals standard

- All size codes available with type E lip seals & E7 triple lip seals
- For the Selection Guide, Load Ratings and Speed Limits, see the Link-Belt Spherical Roller Bearings Engineering section on pages 155 - 160.
- Note: Dimensions subject to change. Certified dimensions of ordered material furnished on request.

FB22400, FEB22400

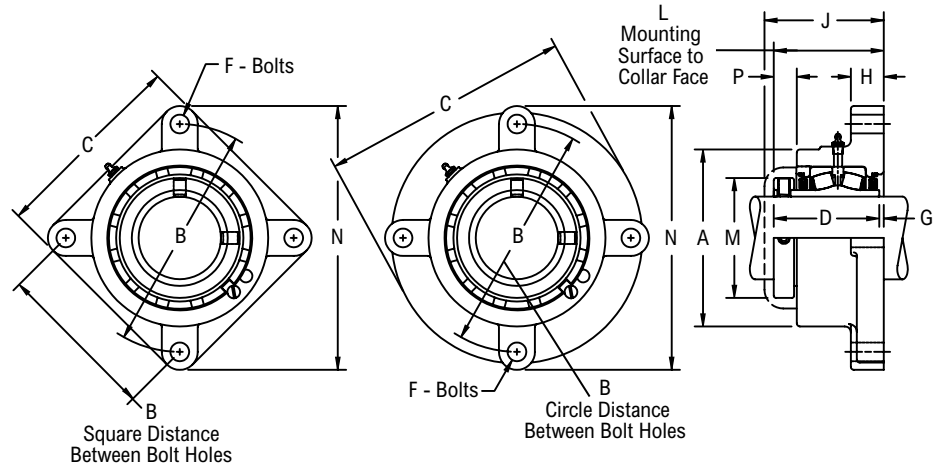
Interchange: F4RS2, F4SS2, FYR, USFB5000, QAFY, QAFL



Photo Shows a 4-Bolt Spherical Roller Bearing Flanged Unit

Product Features

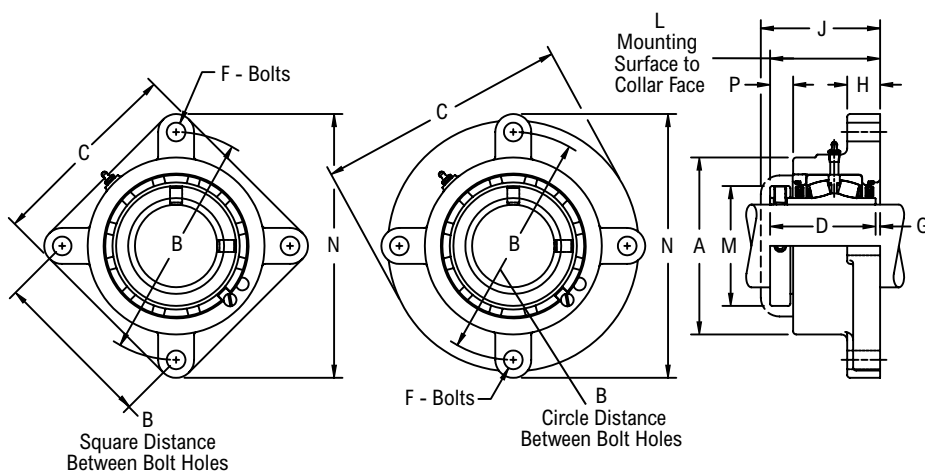
- Corrosion-resistant powder coating
- Cast iron housing
- Misalignment capabilities - total of 4°
- Broad range of sealing options
- Factory set clearance & lubrication
- Hardened spring locking collar
- Field interchangeable seals
- Fixed or Expansion - total of 3/8 in expansion
- See Features and Benefits for additional info on pages 152 - 153.



Bearing Dimensions

Size Code	Shaft Diameter	Expansion		Fixed		B Distance Between Bolt Holes		L Mounting Surface to Collar Face	C	D	F Bolts	G	H	J	M	N	P	Approx. Weight																		
		Part Number	A	Part Number	A	Square	Circle																													
3-Bolt Round																																				
B416	1	-	-	FB22416H	2 ⁷ / ₈	-	4 ¹ / ₈	2 ¹⁹ / ₃₂	4 ³ / ₄	2 ⁹ / ₁₆	3/8	1/32	9/16	2 ¹⁵ / ₁₆	1 ³ / ₄	5 ¹ / ₈	17/32	3.00																		
	25.00	-	-	FB224M25H	73.00	-	104.78	65.90	120.60	65.09	10.00	0.80	14.30	74.60	44.40	130.20	13.50	1.30																		
B420	1 ³ / ₁₆	FEB22419H	3 ¹ / ₂	FB22419H	3 ¹ / ₈	-	4 ¹ / ₂	2 ²³ / ₃₂	5 ¹ / ₈	2 ¹¹ / ₁₆	3/8	1/32	19/32	3 ¹ / ₁₆	1 ³¹ / ₃₂	5 ¹ / ₂	17/32	6.00																		
	1 ³ / ₄	FEB22420H		FB22420H		30.00	FEB224M30H	88.90	FB224M30H	79.40	-	114.30	69.00	130.20	68.26	10.00	0.80	15.10	77.80	50.00	139.70	13.50	2.40													
B424	1 ⁷ / ₁₆	FEB22423H	3 ³ / ₄	FB22423H	3 ⁷ / ₁₆	-	5	2 ²⁹ / ₃₂	5 ⁷ / ₈	2 ⁷ / ₈	1/2	1/32	5/8	3 ⁵ / ₁₆	2 ⁵ / ₁₆	6 ¹ / ₄	2 ¹ / ₃₂	7.00																		
	1 ¹ / ₂	FEB22424H		FB22424H		35.00	FEB224M35H	95.20	FB224M35H	87.30	-	127.00	73.80	149.20	73.02	12.00	0.80	15.90	84.10	58.70	158.80	16.70	3.20													
4-Bolt Round																																				
B428	1 ⁵ / ₈	FEB22426H	4 ¹ / ₄	FB22426H	3 ¹⁵ / ₁₆	3 ⁵⁷ / ₆₄	5 ¹ / ₂	3 ⁵ / ₃₂	6 ³ / ₈	3 ¹ / ₈	1/2	1/32	5/8	3 ¹ / ₂	2 ¹⁹ / ₃₂	6 ³ / ₄	2 ¹ / ₃₂	9.00																		
	1 ¹¹ / ₁₆	FEB22427H		FB22427H															40.00	FEB224M40H	108.00	FB224M40H	100.00	98.83	139.70	80.20	161.90	79.38	12.00	0.80	15.90	88.90	65.90	171.40	16.70	4.30
B432	1 ³ / ₄	FEB22428H	4 ¹ / ₂	FB22428H	4 ¹ / ₄	4 ¹ / ₁₆	5 ³ / ₄	3 ³ / ₁₆	6 ¹¹ / ₁₆	3 ¹ / ₈	1/2	1/16	11/16	3 ⁹ / ₁₆	2 ⁷ / ₈	7	2 ¹ / ₃₂	10.00																		
	2	FEB22432H		FB22432H															45.00	FEB224M45H	114.30	FB224M45H	108.00	103.17	146.05	81.00	169.90	79.38	12.00	1.60	17.50	90.50	73.00	177.80	16.70	5.00
B436	2 ³ / ₁₆	FEB22435H	4 ⁷ / ₈	FB22435H	4 ⁷ / ₈	4 ¹ / ₂	6 ³ / ₈	3 ¹³ / ₃₂	7 ³ / ₈	3 ⁵ / ₁₆	5/8	3/32	11/16	3 ²⁵ / ₃₂	3 ¹ / ₄	7 ³ / ₄	2 ⁵ / ₃₂	14.00																		
	2 ¹ / ₄	FEB22436H		FB22436H															50.00	FEB224M50H	136.50	FB224M50H	123.80	114.30	161.92	86.50	187.30	84.14	16.00	2.40	17.50	96.00	82.60	196.80	19.80	6.50
B440	2 ⁷ / ₁₆	FEB22439H	5 ³ / ₈	FB22439H	5 ³ / ₈	4 ⁴⁹ / ₆₄	6 ³ / ₄	3 ¹⁹ / ₃₂	7 ³ / ₄	3 ¹ / ₂	5/8	3/32	3/4	3 ³¹ / ₃₂	3 ⁹ / ₁₆	8 ¹ / ₈	2 ⁷ / ₃₂	17.00																		
	2 ¹ / ₂	FEB22440H		FB22440H															60.00	FEB224M60H	136.50	FB224M60H	136.50	121.06	171.45	91.30	196.80	88.90	16.00	2.40	19.00	100.80	90.50	206.40	21.40	7.90
B448	2 ¹¹ / ₁₆	FEB22443H	6 ¹ / ₄	FB22443H	6 ¹ / ₄	5 ⁹ / ₁₆	7 ⁷ / ₈	4 ³ / ₃₂	9 ¹ / ₈	4	3/4	3/32	7/8	4 ⁷ / ₁₆	4 ¹ / ₁₆	9 ¹ / ₂	2 ⁷ / ₃₂	28.00																		
	2 ³ / ₄	FEB22444H		FB22444H															70.00	FEB224M70H	158.80	FB224M70H	158.80	141.27	200.02	104.00	231.80	101.60	20.00	2.40	22.20	112.70	103.20	241.30	21.40	12.50
	2 ¹⁵ / ₁₆	FEB22447H		FB22447H															80.00	FEB224M80H	187.30	FB224M80H	187.30	170.64	241.30	115.90	214.31	111.12	20.00	6.40	25.40	124.60	124.60	290.50	23.80	18.60
	3	FEB22448H		FB22448H															75.00	FEB224M75H	187.30	FB224M75H	187.30	170.64	241.30	115.90	214.31	111.12	20.00	6.40	25.40	124.60	124.60	290.50	23.80	18.10
	65.00	FEB224M65H		158.80															FB224M65H	158.80	141.27	200.02	104.00	231.80	101.60	20.00	2.40	22.20	112.70	103.20	241.30	21.40	12.70			
4-Bolt Square																																				
B456	3 ³ / ₁₆	FEB22451H	7 ³ / ₈	FB22451H	7 ³ / ₈	6 ²³ / ₃₂	9 ¹ / ₂	4 ⁹ / ₁₆	8 ⁷ / ₁₆	4 ³ / ₈	3/4	1/4	1	4 ²⁹ / ₃₂	4 ²⁹ / ₃₂	11 ⁷ / ₁₆	1 ⁵ / ₁₆	41.00																		
	3 ¹ / ₁₆	FEB22455H		FB22455H															80.00	FEB224M80H	187.30	FB224M80H	187.30	170.64	241.30	115.90	214.31	111.12	20.00	6.40	25.40	124.60	124.60	290.50	23.80	18.60
	3 ¹ / ₂	FEB22456H		FB22456H															85.00	FEB224M85H	187.30	FB224M85H	187.30	170.64	241.30	115.90	214.31	111.12	20.00	6.40	25.40	124.60	124.60	290.50	23.80	18.10
	80.00	FEB224M80H		187.30															FB224M80H	187.30	170.64	241.30	115.90	214.31	111.12	20.00	6.40	25.40	124.60	124.60	290.50	23.80	18.60			

Continued...



Continued...

Bearing Dimensions

Size Code	Shaft Diameter	Expansion		Fixed		B Distance Between Bolt Holes		L Mounting Surface to Collar Face	C	D	F Bolts	G	H	J	M	N	P	Approx. Weight												
		Part Number	A	Part Number	A	Square	Circle																							
4-Bolt Square (continued)																														
B464	3 11/16	FEB22459H	8 3/8	FB22459H	8 1/2	7 19/32	10 3/4	5 7/32	9 3/4	5 1/16	7/8	1/4	1 1/8	5 5/8	5 5/8	12 29/32	1 1/32	59.00												
	3 15/16	FEB22463H		FB22463H														57.00												
	4	FEB22464H	FB22464H																											
	90.00	FEB224M90H	FB224M90H	212.70	215.90													192.88	273.05	132.60	247.60	128.59	24.00	6.40	28.60	142.90	142.90	327.80	26.20	27.70
	100.00	FEB224M100H	FB224M100H																											

Additional Notes

Please call 1-866-REXNORD for availability
 Lubrication fitting tap size, 1/8 in PT
 Expansion - is 3/8 in for all size codes
 For expansion units, dimensions "G", "L" & "P" are minimum values.
 For maximum values, add 3/8 in
 H labyrinth seals standard

All size codes available with type E lip seals, except E7 in size code B416
 For the Selection Guide, Load Ratings and Speed Limits, see the Link-Belt Spherical Roller Bearings Engineering section on pages 155 - 160.
 Note: Dimensions subject to change. Certified dimensions of ordered material furnished on request.

FB22600, FEB22600

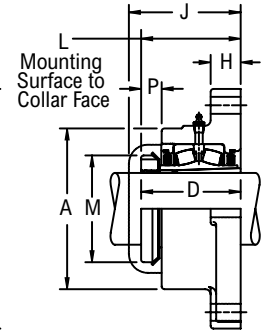
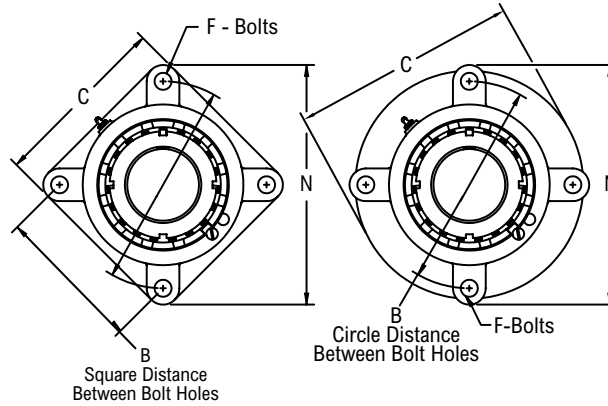
Interchange: F4RIP, F4SIP, USFB5000A, QVFL, QVVFL



Photo Shows a 4-Bolt Spherical Roller Bearing Flanged Unit

Product Features

- Corrosion-resistant powder coating
- Cast iron housing
- Misalignment capabilities - total of 4°
- Broad range of sealing options
- Factory set clearance & lubrication
- Enhanced life mounting style
- Field interchangeable seals
- Fixed or Expansion - total of 3/8 in expansion
- See Features and Benefits for additional info on pages 152 - 153.



Bearing Dimensions

Size Code	Shaft Diameter	Expansion		Fixed		B Distance Between Bolt Holes		L Mounting Surface to Collar Face	C	D	F Bolts	H	J	M	N	P	Approx. Weight
		Part Number	A	Part Number	A	Circle											
						Square	Circle										
3-Bolt Round																	
B624	1 7/16	FEB22623H	3 3/4	FB22623H	3 7/16	-	5	2 3/4	5 7/8	2.71	1/2	5/8	3 5/16	2 1/4	6 1/4	1/2	7.00
4-Bolt Round																	
B631	1 15/16	FEB22631H	4 1/2	FB22631H	4 1/4	4 1/16	5 3/4	3 9/64	6 11/16	3.08	1/2	11/16	3 9/16	2 31/32	7	5/8	10.00
B635	2 3/16	FEB22635H	4 7/8	FB22635H	4 7/8	4 1/2	6 3/8	3 17/64	7 3/8	3.16	5/8	11/16	3 25/32	3 5/32	7 3/4	41/64	14.00
B639	2 7/16	FEB22639H	5 3/8	FB22639H	5 3/8	4 49/64	6 3/4	3 3/8	7 3/4	3.28	5/8	3/4	3 31/32	3 5/8	8 1/8	5/8	17.00
B647	2 11/16	FEB22643H	6 1/4	FB22643H	6 1/4	5 9/16	7 7/8	3 31/32	9 1/8	3.86	3/4	7/8	4 7/16	4 5/32	9 1/2	45/64	27.00
	2 15/16	FEB22647H		FB22647H													26.00
4-Bolt Square																	
B655	3 7/16	FEB22655H	7 3/8	FB22655H	7 3/8	6 23/32	9 1/2	4 31/64	8 7/16	4.29	3/4	1	4 29/32	4 15/16	11 7/16	55/64	39.00
B663	3 15/16	FEB22663H	8 3/8	FB22663H	8 1/2	7 19/32	10 3/4	5 7/64	9 3/4	4.94	7/8	1 1/8	5 5/8	5 7/16	12 29/32	59/64	57.00

Additional Notes

- Please call 1-866-REXNORD for availability
- Lubrication fitting tap size, 1/8 in PT
- Expansion - is 3/8 in for all size codes
- Dimensions for "D", "L" & "P" based on unmounted condition
- For expansion units, dimensions "G", "L" & "P" are minimum values.
- For maximum values, add 3/8 in

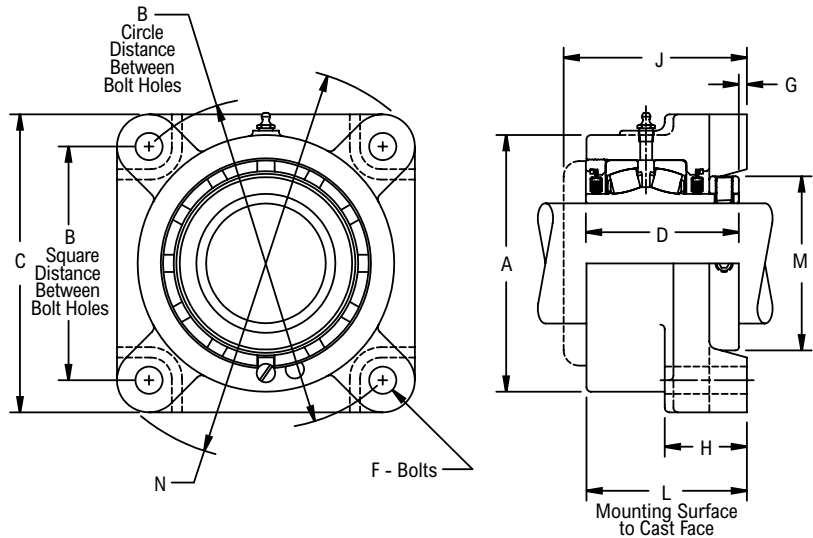
- H labyrinth seals standard
- All size codes available with type E lip seals & E7 triple lip seals
- For the Selection Guide, Load Ratings and Speed Limits, see the Link-Belt Spherical Roller Bearings Engineering section on pages 155 - 160.
- Note: Dimensions subject to change. Certified dimensions of ordered material furnished on request.

EFRB22400

Interchange: EF4BS2, F4BE, FYE, USFBE5000, RFBA, QAF, E4BFTRB



Photo Shows a 4-Bolt Spherical Roller Bearing Flanged Unit



Product Features

- Self aligning type E interchange
- Corrosion-resistant powder coating
- Cast iron housing
- Misalignment capabilities - total of 4°
- Broad range of sealing options
- Factory set clearance & lubrication
- Hardened spring locking collar
- Field interchangeable seals
- See Features and Benefits for additional info on pages 152 - 153.

Bearing Dimensions

Size Code	Shaft Diameter	Part Number	B Distance Between Bolt Holes		L Mounting Surface to Cast Face	A	C	D	F Bolts	G	H	J	M	N	Approx. Weight						
			Square	Circle																	
B424	1 7/16	EFRB22423H	3 1/2	4 61/64	2 31/32	3 11/16	4 5/8	2 7/8	1/2	1/16	1 3/8	4 1/32	2 5/16	6 1/16	8.00						
	35.00	EFRB224M35H	88.90	125.81	75.40	93.70	117.50	73.02	12.00	1.60	34.90	102.40	58.70	154.00	3.40						
B428	1 1/2	EFRB224B24H	4 1/8	5 53/64	3 9/32	4 1/4	5 3/8	3 1/8	1/2	1/8	1 7/16	4 9/32	2 19/32	7 7/32	11.00						
	1 5/8	EFRB22426H																			
	1 11/16	EFRB22427H	40.00	104.80	148.03	83.30	108.00	136.50	79.38	12.00	3.20	36.50	108.70	65.90	183.40	5.10					
B432	1 3/4	EFRB224B28H	4 3/8	6 3/16	3 9/32	4 1/2	5 5/8	3 1/8	1/2	1/8	1 7/16	4 5/16	2 7/8	7 5/16	11.00						
	1 15/16	EFRB22431H																			
	2	EFRB22432H	45.00	111.10	157.18	83.30	114.30	142.90	79.38	12.00	3.20	36.50	109.50	73.00	185.70	5.30					
	50.00	EFRB224M50H	50.00	111.10	157.18	83.30	114.30	142.90	79.38	12.00	3.20	36.50	109.50	73.00	185.70	5.00					
B436	2 3/16	EFRB22435H	4 7/8	6 57/64	3 1/2	5	6 1/4	3 5/16	5/8	1/8	1 9/16	4 5/8	3 1/4	8 9/32	15.00						
	55.00	EFRB224M55H	123.80	175.03	88.90	127.00	158.80	84.14	16.00	3.20	39.70	117.50	82.60	210.30	7.10						
B440	2 1/4	EFRB224B36H	5 3/8	7 19/32	3 23/32	5 1/2	6 7/8	3 1/2	5/8	3/16	1 23/32	4 15/16	3 9/16	8 31/32	18.00						
	2 7/16	EFRB22439H																			
	2 1/2	EFRB22440H	60.00	136.50	192.89	94.50	139.70	174.60	88.90	16.00	4.80	43.70	125.40	90.50	227.80	7.90					
	2 11/16	EFRB22443H	2 3/4	EFRB22444H	2 15/16	EFRB22447H	3	EFRB22448H	65.00	152.40	215.49	107.20	165.10	196.90	101.60	20.00	4.80	45.20	137.30	103.20	257.20
B448	2 11/16	EFRB22443H	6	8 31/64	4 7/32	6 1/2	7 3/4	4	3/4	3/16	1 25/32	5 13/32	4 1/16	10 1/8	26.00						
	2 3/4	EFRB22444H																			
	2 15/16	EFRB22447H	75.00	152.40	215.49	107.20	165.10	196.90	101.60	20.00	4.80	45.20	137.30	103.20	257.20	11.00					
	3	EFRB22448H	65.00	152.40	215.49	107.20	165.10	196.90	101.60	20.00	4.80	45.20	137.30	103.20	257.20	11.00					
	75.00	EFRB224M75H	75.00	152.40	215.49	107.20	165.10	196.90	101.60	20.00	4.80	45.20	137.30	103.20	257.20	11.00					
B456	3 3/16	EFRB22451H	7	9 59/64	4 21/32	7 3/8	8 3/4	4 3/8	3/4	1/4	1 31/32	5 3/4	4 29/32	11 21/32	42.00						
	3 7/16	EFRB22455H																			
	3 1/2	EFRB22456H	80.00	177.80	251.23	118.30	187.30	235.00	111.12	20.00	6.40	50.00	146.00	124.60	296.10	18.90					
	85.00	EFRB224M85H	85.00	177.80	251.23	118.30	187.30	235.00	111.12	20.00	6.40	50.00	146.00	124.60	296.10	18.40					
	3 11/16	EFRB22459H	3 15/16	EFRB22463H	4	EFRB22464H	90.00	196.80	278.21	138.90	247.65	247.65	128.59	24.00	6.40	56.40	168.30	142.90	329.40	25.40	
B464	3 11/16	EFRB22459H	7 3/4	10 61/64	5 15/32	8 7/8	9 3/4	5 1/16	7/8	1/4	2 7/32	6 5/8	5 5/8	12 31/32	58.00						
	3 15/16	EFRB22463H																			
	4	EFRB22464H	90.00	196.80	278.21	138.90	247.65	247.65	128.59	24.00	6.40	56.40	168.30	142.90	329.40	25.40					
100.00	EFRB224M100H	100.00	196.80	278.21	138.90	247.65	247.65	128.59	24.00	6.40	56.40	168.30	142.90	329.40	25.40						

Additional Notes

- Please call 1-866-REXNORD for availability
- Lubrication fitting tap size, 1/8 in PT
- H labyrinth seals standard
- All size codes available with type E lip seals & E7 triple lip seals

For the Selection Guide, Load Ratings and Speed Limits, see the Link-Belt Spherical Roller Bearings Engineering section on pages 155 - 160.

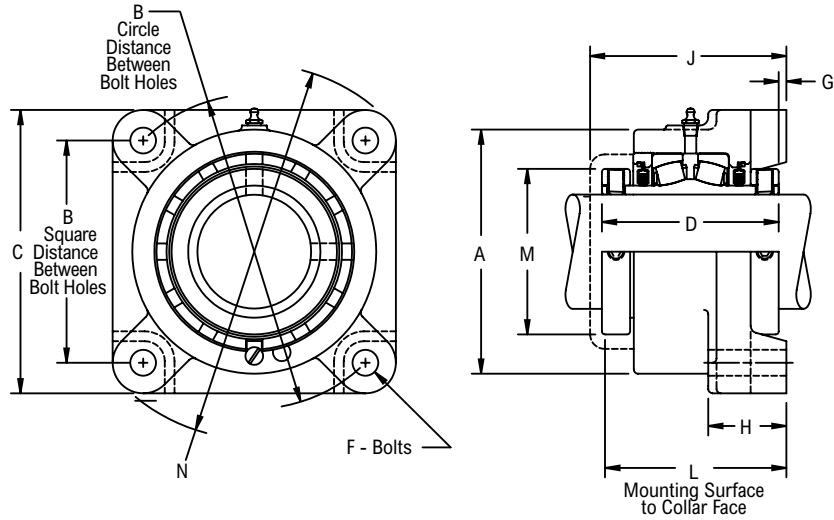
Note: Dimensions subject to change. Certified dimensions of ordered material furnished on request.

EFB22500

Interchange: RFB, QAAF



Photo Shows a 4-Bolt Spherical Roller Bearing Flanged Unit



Product Features

- Self aligning type E interchange
- Corrosion-resistant powder coating
- Cast iron housing
- Misalignment capabilities - total of 4°
- Broad range of sealing options
- Factory set clearance & lubrication
- Two hardened spring locking collars
- Field interchangeable seals
- See Features and Benefits for additional info on pages 152 - 153.

Bearing Dimensions

Size Code	Shaft Diameter	Part Number	B Distance Between Bolt Holes		L Mounting Surface to Collar Face	A	C	D	F Bolts	G	H	J	M	N	Approx. Weight
			Square	Circle											
B524	1 7/16	EFB22523H	3 1/2	4 61/64	3 5/8	3 11/16	4 5/8	3 9/16	1/2	1/16	1 3/8	4 1/32	2 5/16	6 1/16	8.00
B528	1 11/16	EFB22527H	4 1/8	5 53/64	3 15/16	4 1/4	5 3/8	3 13/16	1/2	1/8	1 7/16	4 9/32	2 19/32	7 7/32	11.00
B531	1 15/16	EFB22531H	4 3/8	6 3/16	3 15/16	4 1/2	5 5/8	3 13/16	1/2	1/8	1 7/16	4 5/16	2 7/8	7 5/16	12.00
B536	2 3/16	EFB22535H	4 7/8	6 57/64	4 1/4	5	6 1/4	4 1/8	5/8	1/8	1 9/16	4 5/8	3 1/4	8 9/32	16.00
B540	2 7/16	EFB22539H	5 3/8	7 19/32	4 9/16	5 1/2	6 7/8	4 3/8	5/8	3/16	1 23/32	4 15/16	3 9/16	8 31/32	18.00
B548	2 11/16	EFB22543H	6	8 31/64	5 1/16	6 1/2	7 3/4	4 7/8	3/4	3/16	1 25/32	5 13/16	4 1/16	10 1/8	28.00
	2 15/16	EFB22547H													26.00
B556	3 7/16	EFB22555H	7	9 59/64	5 13/32	7 3/8	9 1/4	5 5/16	3/4	1/4	1 31/32	5 3/4	4 29/32	11 21/32	44.00
B564	3 15/16	EFB22563H	7 3/4	10 61/64	6 7/32	8 7/8	10 1/4	6 1/8	7/8	1/4	2 7/32	6 5/8	5 5/8	12 31/32	60.00
	4	EFB22564H													59.00

Additional Notes

- Please call 1-866-REXNORD for availability
- Lubrication fitting tap size, 1/8 in PT
- H labyrinth seals standard
- All size codes available with type E lip seals & E7 triple lip seals
- For the Selection Guide, Load Ratings and Speed Limits, see the Link-Belt Spherical Roller Bearings Engineering section on pages 155 - 160.

Note: Dimensions subject to change. Certified dimensions of ordered material furnished on request.

EFB22600

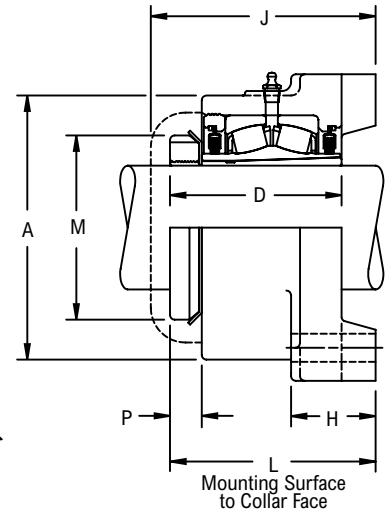
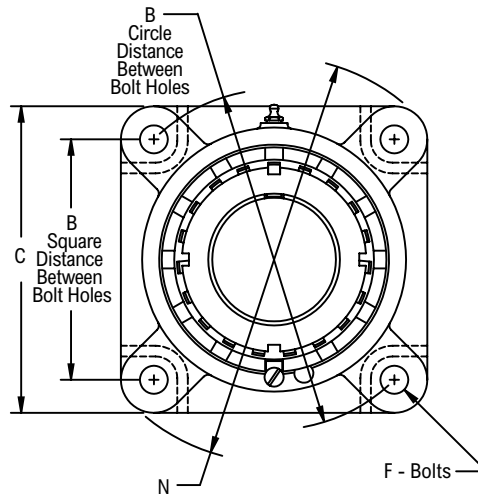
Interchange: EF4BIP, USFBE5000A, QVF, QVVF, DVF



Photo Shows a 4-Bolt Spherical Roller Bearing Flanged Unit

Product Features

- Self aligning type E interchange
- Corrosion-resistant powder coating
- Cast iron housing
- Misalignment capabilities - total of 4°
- Broad range of sealing options
- Factory set clearance & lubrication
- Enhanced life mounting style
- Field interchangeable seals
- See Features and Benefits for additional info on pages 152 - 153.



Bearing Dimensions

Size Code	Shaft Diameter	Part Number	B Distance Between Bolt Holes		L Mounting Surface to Collar Face	A	C	D	F Bolts	H	J	M	N	P	Approx. Weight
			Square	Circle											
B624	1 7/16	EFB22623H	3 1/2	4 61/64	3 29/64	3 11/16	4 5/8	2.71	1/2	1 3/8	4 1/32	2 1/4	6 1/16	31/64	8.00
B631	1 15/16	EFB22631H	4 3/8	6 3/16	3 57/64	4 1/2	5 5/8	3.08	1/2	1 7/16	4 5/16	2 31/32	7 5/16	39/64	11.00
B635	2 3/16	EFB22635H	4 7/8	6 57/64	4 3/32	5	6 1/4	3.16	5/8	1 9/16	4 5/8	3 5/32	8 9/32	5/8	15.00
B639	2 7/16	EFB22639H	5 3/8	7 19/32	4 11/32	5 1/2	6 7/8	3.28	5/8	1 23/32	4 15/16	3 5/8	8 31/32	5/8	17.00
B647	2 11/16	EFB22643H	6	8 31/64	4 59/64	6 1/2	7 3/4	3.86	3/4	1 25/32	5 13/32	4 5/32	10 1/8	45/64	25.00
	2 15/16	EFB22647H													24.00
B655	3 7/16	EFB22655H	7	9 59/64	5 21/64	7 3/8	9 1/4	4.29	3/4	1 31/32	5 3/4	4 15/16	11 21/32	55/64	41.00
B663	3 15/16	EFB22663H	7 3/4	10 61/64	6 7/64	8 7/8	10 1/4	4.94	7/8	2 7/32	6 5/8	5 7/16	12 31/32	59/64	56.00

Additional Notes

- Please call 1-866-REXNORD for availability
- Lubrication fitting tap size, 1/8 in PT
- Dimensions for "D", "L" & "P" based on unmounted condition
- H labyrinth seals standard
- All size codes available with type E lip seals & E7 triple lip seals

For the Selection Guide, Load Ratings and Speed Limits, see the Link-Belt Spherical Roller Bearings Engineering section on pages 155 - 160.
 Note: Dimensions subject to change. Certified dimensions of ordered material furnished on request.

FBB22400

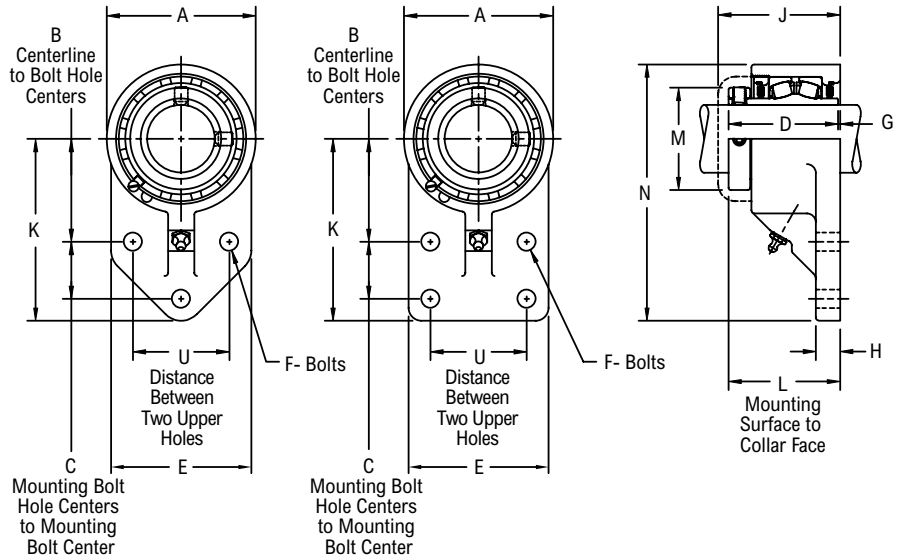
Interchange: USFB5000



Photo Shows a 4-Bolt Spherical Roller Bearing Flanged Bracket Unit with High-Test Iron Housing

Product Features

- Corrosion-resistant powder coating
- High test iron housing
- Misalignment capabilities - total of 4°
- Broad range of sealing options
- Factory set clearance & lubrication
- Hardened spring locking collar
- Field interchangeable seals
- See Features and Benefits for additional info on pages 152 - 153.



Bearing Dimensions

Size Code	Shaft Diameter	Part Number	B Centerline to Bolt Hole Centers	C Mounting Bolt Hole Centers to Mounting Bolt Center	L Mounting Surface to Collar Face	U Distance Between Two Upper Holes	A	D	E	F Bolts	G	H	J	K	M	N	Approx. Weight	
3-Bolt																		
B424	1 7/16	FBB22423H	2 3/8	1 1/4	2 29/32	2	3 7/16	2 7/8	3 1/4	1/2	1/32	5/8	3 5/16	4 1/4	2 5/16	5 31/32	6.40	
	1 1/2	FBB22424H																
	35.00	FBB224M35H	60.30	31.80	73.80	50.80	87.30	73.02	82.60	12.00	0.80	15.90	84.10	108.00	58.70	151.60	2.90	
B432	1 15/16	FBB22431H	2 15/16	1 5/8	3 3/16	2 3/4	4 1/4	3 1/8	4	1/2	1/16	1 1/16	3 9/16	5 3/16	2 7/8	7 7/16	10.00	
	2	FBB22432H																
	45.00	FBB224M45H	74.60	41.30	81.00	69.80	108.00	79.38	101.60	12.00	1.60	17.50	90.50	131.80	73.00	189.00	4.40	
	50.00	FBB224M50H															4.30	
4-Bolt																		
B440	2 7/16	FBB22439H	3 3/4	1 3/4	3 19/32	3	5 3/8	3 1/2	4 7/8	5/8	3/32	3/4	3 31/32	6 1/4	3 9/16	8 15/16	17.50	
	2 1/2	FBB22440H																
	60.00	FBB224M60H	95.20	44.40	91.30	76.20	136.50	88.90	123.80	16.00	2.40	19.00	100.80	158.80	90.50	227.00	8.10	
B448	2 11/16	FBB22443H	3 7/8	2 1/4	4 3/32	4	6 1/4	4	5 3/4	3/4	3/32	7/8	4 7/16	7	4 1/16	10 1/8	30.00	
	2 3/4	FBB22444H																
	2 15/16	FBB22447H																
	3	FBB22448H																
	65.00	FBB224M65H																98.40
70.00	FBB224M70H																13.50	
	75.00	FBB224M75H																12.80

Additional Notes

- Please call 1-866-REXNORD for availability
- Lubrication fitting tap size: for size code B424, 1/4 in-28 UNF; for all other size codes, 1/8 in PT
- H labyrinth seals standard
- All size codes available with type E lip seals & E7 triple lip seals

For the Selection Guide, Load Ratings and Speed Limits, see the Link-Belt Spherical Roller Bearings Engineering section on pages 155 - 160.

Note: Dimensions subject to change. Certified dimensions of ordered material furnished on request.

FBB22600

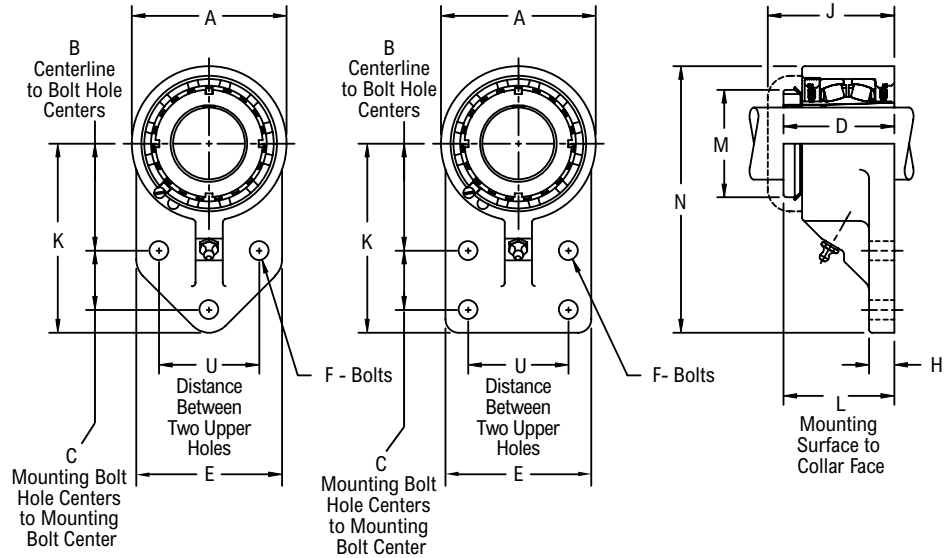
Interchange: USFB5000A



Photo Shows a 4-Bolt Spherical Roller Bearing Flanged Bracket Unit with High-Test Iron Housing

Product Features

- Corrosion-resistant powder coating
- High test iron housing
- Misalignment capabilities - total of 4°
- Broad range of sealing options
- Factory set clearance & lubrication
- Enhanced life mounting style
- Field interchangeable seals
- See Features and Benefits for additional info on pages 152 - 153.



Bearing Dimensions

Size Code	Shaft Diameter	Part Number	B Centerline to Bolt Hole Centers	C Mounting Bolt Hole Centers to Mounting Bolt Center	L Mounting Surface to Collar Face	U Distance Between Two Upper Holes	A	D	E	F Bolts	H	J	K	M	N	Approx. Weight
3-Bolt																
B624	1 7/16	FBB22623H	2 3/8	1 1/4	2 3/4	2	3 7/16	2.71	3 1/4	1/2	5/8	3 5/16	4 1/4	2 1/4	5 31/32	6.40
B631	1 15/16	FBB22631H	2 15/16	1 5/8	3 9/64	2 3/4	4 1/4	3.08	4	1/2	11/16	3 9/16	5 3/16	2 31/32	7 7/16	10.00
4-Bolt																
B639	2 7/16	FBB22639H	3 3/4	1 3/4	3 3/8	3	5 3/8	3.16	4 7/8	5/8	3/4	3 31/32	6 1/4	3 5/32	8 15/16	17.50
B647	2 11/16	FBB22643H	3 7/8	2 1/4	3 61/64	4	6 1/4	3.28	5 3/4	3/4	7/8	4 7/16	7	3 5/8	10 1/8	30.00
	2 15/16	FBB22647H														28.00

Additional Notes

- Please call 1-866-REXNORD for availability
- Lubrication fitting tap size: for size code B624, 1/4 in-28 UNF; for all other size codes, 1/8 in PT
- Dimensions for "D" & "L" based on unmounted condition
- H labyrinth seals standard
- All size codes available with type E lip seals & E7 triple lip seals

For the Selection Guide, Load Ratings and Speed Limits, see the Link-Belt Spherical Roller Bearings Engineering section on pages 155 - 160.
 Note: Dimensions subject to change. Certified dimensions of ordered material furnished on request.

FCB22400

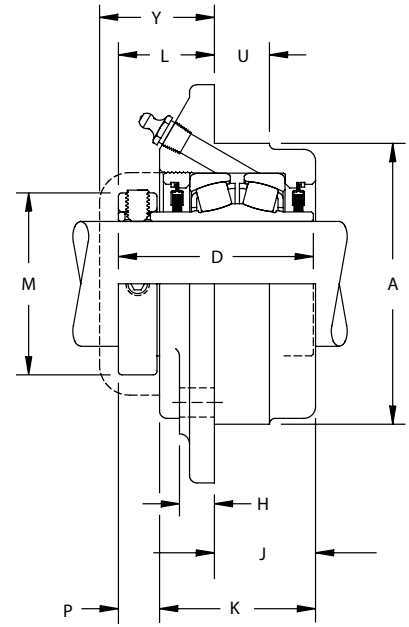
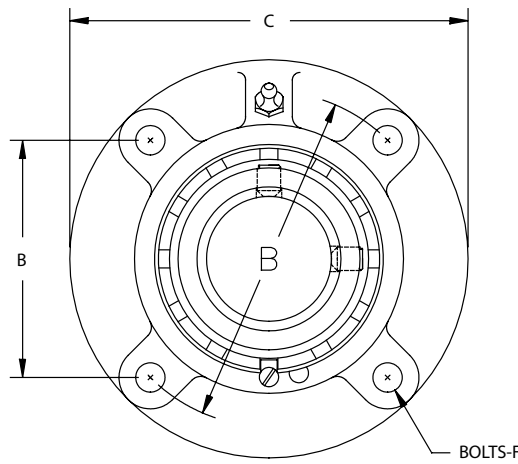
Interchange: FCS2, FCE, FYRP, USFC5000, USFCE5000, RFPA, QACW, EPFTRB



Photo Shows a 4-Bolt Spherical Roller Bearing Flanged Cartridge Unit

Product Features

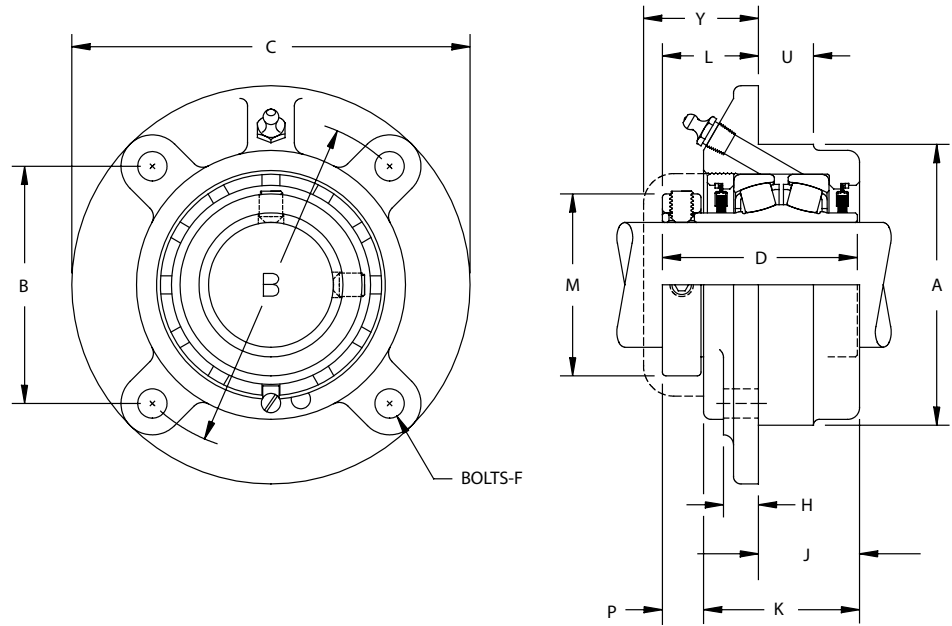
- Self aligning type E interchange
- Corrosion-resistant powder coating
- Cast iron housing
- Misalignment capabilities - total of 4°
- Broad range of sealing options
- Factory set clearance & lubrication
- Hardened spring locking collar
- Field interchangeable seals
- See Features and Benefits for additional info on pages 152 - 153.



Bearing Dimensions

Size Code	Shaft Diameter	Part Number	A Pilot Diameter	B Distance Between Bolt Holes		L Mounting Surface to Collar Face	C	D	F Bolts	H	J	K	M	P	U	Y	Approx. Weight																	
				Square	Circle																													
4-Bolt																																		
B416	1	FCB22416H	3.000	2 ⁹ / ₁₆	3 ⁵ / ₈	1 ⁹ / ₃₂	4 ³ / ₈	2 ⁹ / ₁₆	5 ¹ / ₁₆	7 ¹ / ₁₆	1 ¹ / ₄	2	1 ³ / ₄	17 ¹ / ₃₂	5 ⁵ / ₈	1 ⁵ / ₈	4.00																	
	25.00	FCB224M25H	76.200	65.10	92.08	32.50	111.10	65.09	8.00	11.10	31.80	50.80	44.40	13.50	15.90	41.30	1.60																	
B420	1 ³ / ₁₆	FCB22419H	3.375	2 ⁵⁹ / ₆₄	4 ¹ / ₈	1 ⁹ / ₃₂	5	2 ¹¹ / ₁₆	3 ³ / ₈	7 ¹ / ₁₆	1 ³ / ₈	2 ¹ / ₄	1 ³¹ / ₃₂	17 ¹ / ₃₂	3 ³ / ₄	1 ⁵ / ₈	5.00																	
	1 ¹ / ₄	FCB22420H																30.00	FCB224M30H	85.720	74.20	104.78	32.50	127.00	68.26	10.00	11.10	34.90	57.20	50.00	13.50	19.00	41.30	2.20
B424	1 ⁷ / ₁₆	FCB22423H	3.625	3 ³ / ₃₂	4 ³ / ₈	1 ¹⁵ / ₃₂	5 ¹ / ₄	2 ⁷ / ₈	3 ³ / ₈	1 ¹ / ₂	1 ³ / ₈	2 ³ / ₁₆	2 ⁵ / ₁₆	2 ¹ / ₃₂	3 ³ / ₄	1 ⁷ / ₈	6.00																	
	1 ¹ / ₂	FCB22424H																35.00	FCB224M35H	92.080	78.60	111.12	37.30	133.40	73.02	10.00	12.70	34.90	55.60	58.70	16.70	19.00	47.60	2.60
B428	1 ⁵ / ₈	FCB22426H	4.250	3 ⁵ / ₈	5 ¹ / ₈	1 ¹⁷ / ₃₂	6 ¹ / ₈	3 ¹ / ₈	7 ¹ / ₁₆	1 ¹ / ₂	1 ¹⁷ / ₃₂	2 ⁷ / ₁₆	2 ¹⁹ / ₃₂	2 ¹ / ₃₂	7 ¹ / ₈	1 ⁷ / ₈	9.00																	
	1 ¹¹ / ₁₆	FCB22427H																40.00	FCB224M40H	107.950	92.10	130.18	38.90	155.60	79.38	10.00	12.70	38.90	61.90	65.90	16.70	22.20	47.60	3.80
	1 ³ / ₄	FCB22428H																45.00	FCB224M45H	114.300	96.40	136.52	38.90	161.90	79.38	10.00	14.30	39.70	61.90	73.00	16.70	22.20	48.40	4.00
B432	1 ¹⁵ / ₁₆	FCB22431H	4.500	3 ⁵¹ / ₆₄	5 ³ / ₈	1 ¹⁷ / ₃₂	6 ³ / ₈	3 ¹ / ₈	7 ¹ / ₁₆	9 ¹ / ₁₆	1 ⁹ / ₁₆	2 ⁷ / ₁₆	2 ⁷ / ₈	2 ¹ / ₃₂	7 ¹ / ₈	1 ²⁹ / ₃₂	9.00																	
	2	FCB22432H																45.00	FCB224M45H	114.300	96.40	136.52	38.90	161.90	79.38	10.00	14.30	39.70	61.90	73.00	16.70	22.20	48.40	4.00
B436	2 ³ / ₁₆	FCB22435H	5.000	4 ¹ / ₄	6	1 ²¹ / ₃₂	7 ¹ / ₈	3 ⁵ / ₁₆	1 ¹ / ₂	9 ¹ / ₁₆	1 ⁹ / ₁₆	2 ¹ / ₂	3 ¹ / ₄	2 ⁵ / ₃₂	1	2 ¹ / ₃₂	12.00																	
	2 ¹ / ₄	FCB22436H																55.00	FCB224M55H	127.000	107.90	152.40	42.10	181.00	84.14	12.00	14.30	39.70	63.50	82.60	19.80	25.40	51.60	5.60
B440	2 ⁷ / ₁₆	FCB22439H	5.500	4 ¹⁹ / ₃₂	6 ¹ / ₂	1 ¹³ / ₁₆	7 ⁵ / ₈	3 ¹ / ₂	1 ¹ / ₂	5 ¹ / ₈	1 ¹¹ / ₁₆	2 ⁵ / ₈	3 ⁹ / ₁₆	7 ¹ / ₈	1	2 ⁵ / ₃₂	16.00																	
	2 ¹ / ₂	FCB22440H																60.00	FCB224M60H	139.700	116.70	165.10	46.00	193.70	88.90	12.00	15.90	42.90	66.70	90.50	22.20	25.40	54.80	7.20
B448	2 ¹¹ / ₁₆	FCB22443H	6.375	5 ¹⁹ / ₆₄	7 ¹ / ₂	1 ³¹ / ₃₂	8 ³ / ₄	4	5 ⁵ / ₈	3 ³ / ₄	2	3 ¹ / ₈	4 ¹ / ₁₆	2 ⁷ / ₃₂	1 ¹ / ₄	2 ⁵ / ₁₆	25.00																	
	2 ³ / ₄	FCB22444H																65.00	FCB224M65H	161.920	134.50	190.50	50.00	222.20	101.60	16.00	19.00	50.80	79.40	103.20	21.40	31.80	58.70	11.60
	2 ¹⁵ / ₁₆	FCB22447H																70.00	FCB224M70H	161.920	134.50	190.50	50.00	222.20	101.60	16.00	19.00	50.80	79.40	103.20	21.40	31.80	58.70	11.40
	3	FCB22448H																75.00	FCB224M75H	161.920	134.50	190.50	50.00	222.20	101.60	16.00	19.00	50.80	79.40	103.20	21.40	31.80	58.70	11.00
	3 ³ / ₁₆	FCB22451H																80.00	FCB224M80H	187.320	154.80	219.08	61.90	260.40	111.12	20.00	23.80	50.80	87.30	124.60	23.80	31.80	70.60	17.40
B456	3 ⁷ / ₁₆	FCB22455H	7.375	6 ³ / ₃₂	8 ⁵ / ₈	2 ⁷ / ₁₆	10 ¹ / ₄	4 ³ / ₈	3 ³ / ₄	1 ⁵ / ₁₆	2	3 ⁷ / ₁₆	4 ²⁹ / ₃₂	1 ⁵ / ₁₆	1 ¹ / ₄	2 ²⁵ / ₃₂	36.00																	
	3 ¹ / ₂	FCB22456H																80.00	FCB224M80H	187.320	154.80	219.08	61.90	260.40	111.12	20.00	23.80	50.80	87.30	124.60	23.80	31.80	70.60	16.90

Continued...



Continued...

Bearing Dimensions

Size Code	Shaft Diameter	Part Number	A Pilot Diameter	B Distance Between Bolt Holes		L Mounting Surface to Collar Face	C	D	F Bolts	H	J	K	M	P	U	Y	Approx. Weight
				Square	Circle												
4-Bolt (continued)																	
B464	3 11/16	FCB22459H	8.125	6 5/8	9 3/8	2 21/32	10 7/8	5 3/16	3/4	1 1/8	2 1/2	4 1/8	5 5/8	1 1/32	1 1/2	3 1/16	52.00
	3 15/16	FCB22463H															50.00
	4	FCB22464H	206.380	168.30	238.12	67.50	276.20	131.76	20.00	28.60	63.50	104.80	142.90	26.20	38.10	77.80	24.60
	90.00	FCB224M90H															22.80
100.00	FCB224M100H																

Additional Notes

Please call 1-866-REXNORD for availability
 Lubrication fitting tap size: for size code B416, 1/4 in-28 UNF; for all other size codes, 1/8 in PT
 Pilot Diameter tolerance, +.000 in/-.002 in (+0.00 mm/-0.05 mm)
 Bore tolerance for mounting, +.002 in/-.000 in (+0.05 mm/-0.00 mm)
 H labyrinth seals standard

All size codes available with type E lip seals, except E7 in size code B416
 For the Selection Guide, Load Ratings and Speed Limits, see the Link-Belt Spherical Roller Bearings Engineering section on pages 155 - 160.
 Note: Dimensions subject to change. Certified dimensions of ordered material furnished on request.

FCB22600

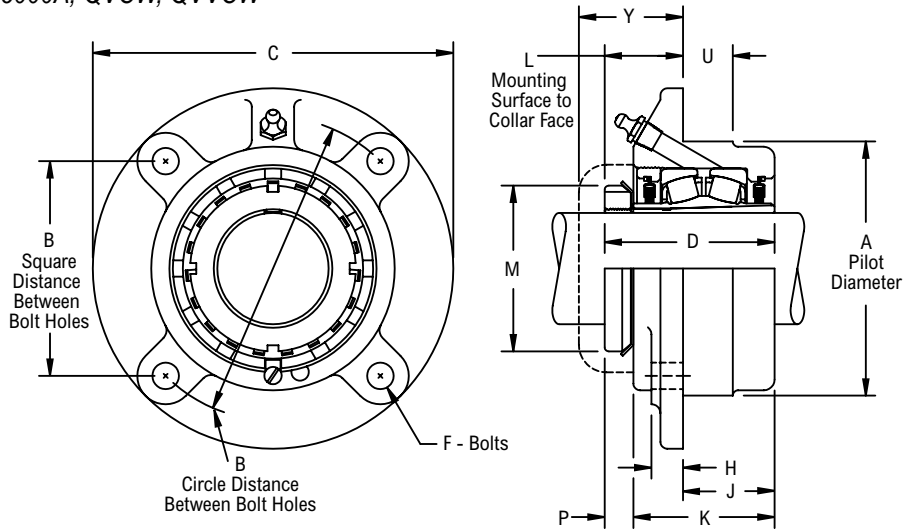
Interchange: FCIP, USFC5000A, USFCE5000A, QVCW, QVVCW



Photo Shows a 4-Bolt Spherical Roller Bearing Flanged Cartridge Unit

Product Features

- Self aligning type E interchange
- Corrosion-resistant powder coating
- Cast iron housing
- Misalignment capabilities - total of 4°
- Broad range of sealing options
- Factory set clearance & lubrication
- Enhanced life mounting style
- Field interchangeable seals
- See Features and Benefits for additional info on pages 152 - 153.



Bearing Dimensions

Size Code	Shaft Diameter	Part Number	A Pilot Diameter	B Distance Between Bolt Holes		L Mounting Surface to Collar Face	C	D	F Bolts	H	J	K	M	P	U	Y	Approx. Weight
				Square	Circle												
4-Bolt																	
B624	1 7/16	FCB22623H	3.625	3 3/32	4 3/8	1 17/64	5 1/4	2.71	3/8	1/2	1 3/8	2 3/16	2 1/4	29/64	3/4	1 7/8	6.00
B631	1 15/16	FCB22631H	4.500	3 51/64	5 3/8	1 31/64	6 3/8	3.08	7/16	9/16	1 9/16	2 7/16	2 31/32	39/64	7/8	1 29/32	9.00
B635	2 3/16	FCB22635H	5.000	4 1/4	6	1 1/2	7 1/8	3.16	1/2	9/16	1 9/16	2 1/2	3 5/32	5/8	1	2 1/32	12.00
B639	2 7/16	FCB22639H	5.500	4 19/32	6 1/2	1 19/32	7 5/8	3.28	1/2	5/8	1 11/16	2 5/8	3 5/8	41/64	1	2 5/32	16.00
B647	2 11/16	FCB22643H	6.375	5 19/64	7 1/2	1 53/64	8 3/4	3.86	5/8	3/4	2	3 1/8	4 5/32	45/64	1 1/4	2 5/16	25.00
	2 15/16	FCB22647H															24.00
B655	3 7/16	FCB22655H	7.375	6 3/32	8 5/8	2 25/64	10 1/4	4.29	3/4	15/16	2	3 7/16	4 15/16	57/64	1 1/4	2 25/32	37.00
B663	3 15/16	FCB22663H	8.125	6 5/8	9 3/8	2 17/32	10 7/8	4.94	3/4	1 1/8	2 1/2	4 1/8	5 7/16	59/64	2	3 1/16	50.00

Additional Notes

- Please call 1-866-REXNORD for availability
- Lubrication fitting tap size, 1/8 in PT
- Dimensions for "D", "L" & "P" based on unmounted condition
- Pilot Diameter tolerance, +.000 in/- .002 in (+0.00 mm/-0.05 mm)
- Bore tolerance for mounting, +.002 in/- .000 in (+0.05 mm/-0.00 mm)
- H labyrinth seals standard

All size codes available with type E lip seals & E7 triple lip seals
 For the Selection Guide, Load Ratings and Speed Limits, see the Link-Belt Spherical Roller Bearings Engineering section on pages 155 - 160.
 Note: Dimensions subject to change. Certified dimensions of ordered material furnished on request.

CSEB22400

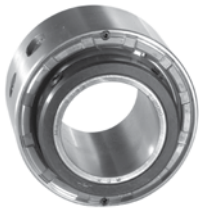
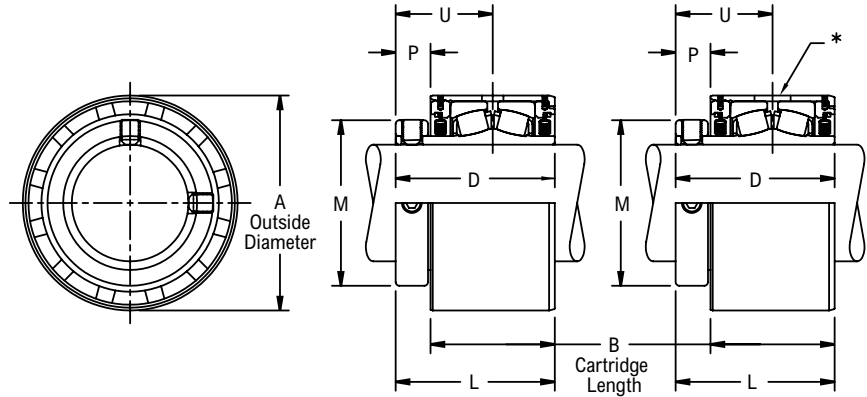


Photo Shows a Spherical Roller Bearing Cartridge Unit with Steel Housing

Product Features

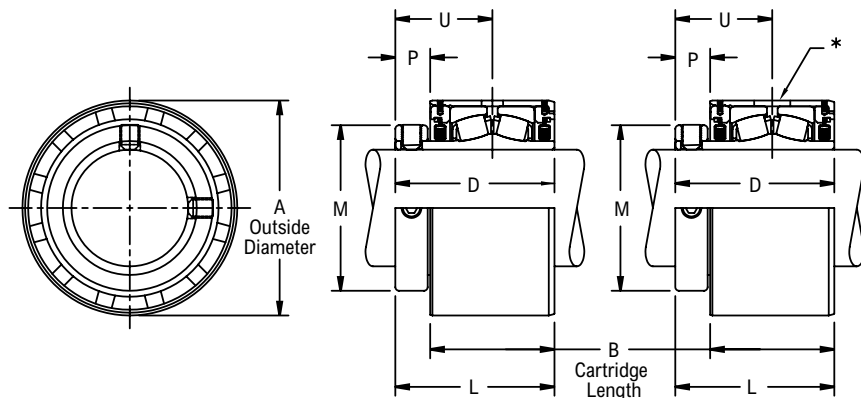
- Steel housing
- Misalignment capabilities - total of 4°
- Broad range of sealing options
- Factory set clearance & lubrication
- Hardened spring locking collar
- Field interchangeable seals
- See Features and Benefits for additional info on pages 152 - 153.



Bearing Dimensions

Size Code	Shaft Diameter	Part Number	A Outside Diameter	B Cartridge Length	D	L	M	P	U	Approx. Weight								
B416	1	CSEB22416H	2.6650	2	2 ⁹ / ₁₆	2 ⁹ / ₁₆	1 ³ / ₄	⁹ / ₁₆	1 ⁹ / ₁₆	3.00								
	25.00	CSEB224M25H	67.6900	50.800	65.09	65.10	44.40	14.30	39.70	1.30								
B420	1 ³ / ₁₆	CSEB22419H	2.9150	2 ¹ / ₈	2 ¹¹ / ₁₆	2 ¹¹ / ₁₆	1 ³¹ / ₃₂	⁹ / ₁₆	1 ⁵ / ₈	4.00								
	1 ¹ / ₄	CSEB22420H																
B424	30.00	CSEB224M30H	74.0400	53.980	68.26	68.30	50.00	14.30	41.30	1.70								
	1 ⁷ / ₁₆	CSEB22423H	3.1240	2 ³ / ₁₆	2 ⁷ / ₈	2 ⁷ / ₈	2 ⁵ / ₁₆	¹¹ / ₁₆	1 ²⁵ / ₃₂	4.00								
1 ¹ / ₂	CSEB22424H																	
B428	35.00	CSEB224M35H	79.3500	55.560	73.02	73.00	58.70	17.50	45.20	1.80								
	1 ⁵ / ₈	CSEB22426H	3.6360	2 ⁷ / ₁₆	3 ¹ / ₈	3 ¹ / ₈	2 ¹⁹ / ₃₂	¹¹ / ₁₆	1 ²⁹ / ₃₂	6.00								
	1 ¹¹ / ₁₆	CSEB22427H																
	1 ³ / ₄	CSEB22428H																
40.00	CSEB224M40H	92.3500									61.910	79.38	79.40	65.90	17.50	48.40	2.50	
B432	1 ¹⁵ / ₁₆	CSEB22431H	3.8330	2 ²⁵ / ₆₄	3 ¹ / ₈	3 ¹ / ₈	2 ⁷ / ₈	2 ³ / ₃₂	1 ²⁹ / ₃₂	6.00								
	2	CSEB22432H																
	45.00	CSEB224M45H									97.3600	60.720	79.38	79.40	73.00	18.30	48.40	2.60
	50.00	CSEB224M50H																2.30
B436	2 ³ / ₁₆	CSEB22435H	4.2270	2 ¹ / ₂	3 ⁵ / ₁₆	3 ⁵ / ₁₆	3 ¹ / ₄	¹³ / ₁₆	2 ¹ / ₁₆	7.00								
	2 ¹ / ₄	CSEB22436H																
B440	55.00	CSEB224M55H	107.3600	63.500	84.14	84.10	82.60	20.60	52.40	3.20								
	2 ¹ / ₄	CSEB224B36H	4.6210	2 ⁵ / ₈	3 ¹ / ₂	3 ¹ / ₂	3 ⁹ / ₁₆	⁷ / ₈	2 ³ / ₁₆	8.00								
	2 ⁷ / ₁₆	CSEB22439H																
	2 ¹ / ₂	CSEB22440H																
60.00	CSEB224M60H	117.3700									66.680	88.90	88.90	90.50	22.20	55.60	3.90	
B448	2 ¹¹ / ₁₆	CSEB22443H	5.4070	3 ¹ / ₈	4	4	4 ¹ / ₁₆	⁷ / ₈	2 ⁷ / ₁₆	14.00								
	2 ³ / ₄	CSEB22444H																
	2 ¹⁵ / ₁₆	CSEB22447H																
	3	CSEB22448H																
	65.00	CSEB224M65H																6.60
70.00	CSEB224M70H	137.2616	79.380	101.60	101.60	103.20	22.20	61.90	6.40									
75.00	CSEB224M75H								5.90									
B456	3 ³ / ₁₆	CSEB22451H	6.1940	3 ⁷ / ₁₆	4 ³ / ₈	4 ³ / ₈	4 ²⁹ / ₃₂	¹⁵ / ₁₆	2 ²¹ / ₃₂	20.00								
	3 ⁷ / ₁₆	CSEB22455H																
	3 ¹ / ₂	CSEB22456H																
	80.00	CSEB224M80H									157.3300	87.310	111.12	111.10	124.60	23.80	67.50	9.00

Continued...



Continued...

Bearing Dimensions

Size Code	Shaft Diameter	Part Number	A Outside Diameter	B Cartridge Length	D	L	M	P	U	Approx. Weight
B456	85.00	CSEB224M85H	157.3300	87.310	111.12	111.10	124.60	23.80	67.50	8.60
B464	3 11/16	CSEB22459H	7.3750	4	5 1/16	5 1/16	5 5/8	1 1/16	3 1/16	33.00
	3 15/16	CSEB22463H								31.00
	4	CSEB22464H								15.90
	90.00	CSEB224M90H	187.3200	101.600	128.59	128.60	142.90	27.00	77.80	14.10
	100.00	CSEB224M100H								

Additional Notes

Please call 1-866-REXNORD for availability
 O.D. tolerance, +.000 in/-.002 in (+0.00 mm/-0.05 mm)
 Bore tolerance for mounting, +.002 in/-.000 in (+0.05 mm/-0.00 mm)
 Expansion - is 3/8 in for all size codes
 *Expansion plug diameter .531 in (13.49 mm), engagement depth .125 in +/- .015 in (3.18 mm +/- 0.38 mm)
 Hole for fixed location & slot for expansion location in the same housing

H labyrinth seals standard
 All size codes available with type E lip seals, except E7 in size code B416
 For the Selection Guide, Load Ratings and Speed Limits, see the Link-Belt Spherical Roller Bearings Engineering section on pages 155 - 160.
 Note: Dimensions subject to change. Certified dimensions of ordered material furnished on request.

CSEB22500

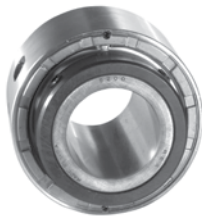
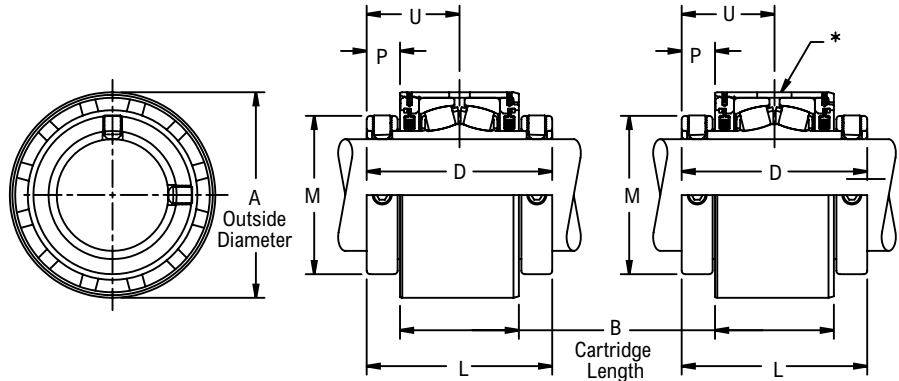


Photo Shows a Spherical Roller Bearing Cartridge Unit with Steel Housing

Product Features

- Steel housing
- Misalignment capabilities - total of 4°
- Broad range of sealing options
- Factory set clearance & lubrication
- Two hardened spring locking collars
- Field interchangeable seals
- See Features and Benefits for additional info on pages 152 - 153.



Bearing Dimensions

Size Code	Shaft Diameter	Part Number	A Outside Diameter	B Cartridge Length	D	L	M	P	U	Approx. Weight
B524	1 7/16	CSEB22523H	3.1240	2 3/16	3 9/16	3 9/16	2 5/16	11/16	1 25/32	4.20
B528	1 11/16	CSEB22527H	3.6360	2 7/16	3 13/16	3 13/16	2 19/32	11/16	1 29/32	5.60
B531	1 15/16	CSEB22531H	3.8330	2 25/64	3 13/16	3 13/16	2 7/8	11/16	1 29/32	6.10
B536	2	CSEB22532H	4.2270	2 1/2	4 1/8	4 1/8	3 1/4	13/16	2 1/16	9.00
	2 3/16	CSEB22535H								
B540	2 7/16	CSEB22539H	4.6210	2 5/8	4 3/8	4 3/8	3 9/16	7/8	2 3/16	10.10
B548	2 11/16	CSEB22543H	5.4070	3 1/8	4 7/8	4 7/8	4 1/16	7/8	2 7/16	16.40
	2 15/16	CSEB22547H								15.30
B556	3 7/16	CSEB22555H	6.1940	3 7/16	5 5/16	5 5/16	4 29/32	15/16	2 21/32	21.10
B564	3 15/16	CSEB22563H	7.3750	4	6 1/8	6 1/8	5 5/8	1 1/16	3 1/16	36.10
	4	CSEB22564H								35.60
B572	4 3/16	CSEB22567YH	7.9670	4 1/4	6 1/4	6 1/4	6 3/16	1	3 1/8	52.80
	4 7/16	CSEB22571YH								50.60
	4 1/2	CSEB22572YH								49.90
	110.00	CSEB225M110YH								22.80
	115.00	CSEB225M115YH								22.50
B580	4 15/16	CSEB22579YH	9.3427	5 9/16	7 7/8	7 7/8	7 1/16	1 5/32	3 15/16	55.30
	5	CSEB22580YH								54.70
	125.00	CSEB225M125YH								24.60

Additional Notes

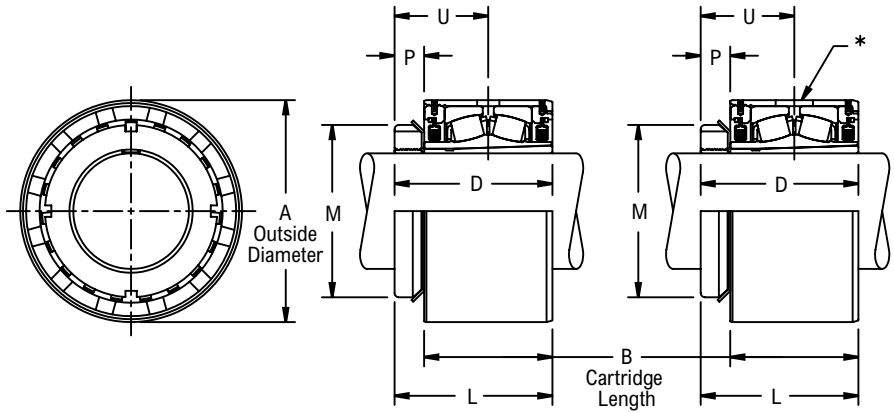
- Please call 1-866-REXNORD for availability
- O.D. tolerance, for size codes B564 and smaller +.000 in/-.002 in (+0.00 mm/-0.05 mm); for all other size codes +.000 in/-.003 in (+0.00 mm/-0.08 mm)
- Bore tolerance for mounting, +.002 in/-.000 in (+0.05 mm/-0.00 mm)
- Expansion - is 3/8 in for all size codes
- *Expansion plug diameter .531 in (13.49 mm), engagement depth .125 in +/- .015 in (3.18 mm +/- 0.38 mm)

- Hole for fixed location & slot for expansion location in the same housing
- H labyrinth seals standard
- All size codes available with type E lip seals & E7 triple lip seals
- For the Selection Guide, Load Ratings and Speed Limits, see the Link-Belt Spherical Roller Bearings Engineering section on pages 155 - 160.
- Note: Dimensions subject to change. Certified dimensions of ordered material furnished on request.

CSEB22600



Photo Shows a Spherical Roller Bearing Cartridge Unit with Steel Housing



Product Features

- Steel housing
- Misalignment capabilities - total of 4°
- Broad range of sealing options
- Factory set clearance & lubrication
- Enhanced life mounting style
- Field interchangeable seals
- See Features and Benefits for additional info on pages 152 - 153.

Bearing Dimensions

Size Code	Shaft Diameter	Part Number	A Outside Diameter	B Cartridge Length	D	L	M	P	U	Approx. Weight
B624	1 7/16	CSEB22623H	3.1240	2 3/16	2.71	2 3/4	2 1/4	1/2	1 39/64	4.00
B631	1 15/16	CSEB22631H	3.8330	2 29/64	3.08	3 1/16	2 31/32	39/64	1 55/64	5.00
B635	2 3/16	CSEB22635H	4.2270	2 1/2	3.16	3 5/32	3 5/32	5/8	1 29/32	7.00
B639	2 7/16	CSEB22639H	4.6210	2 5/8	3.28	3 19/64	3 5/8	45/64	1 31/32	8.00
B647	2 11/16	CSEB22643H	5.4070	3 1/8	3.86	3 7/8	4 5/32	55/64	2 19/64	14.00
	2 15/16	CSEB22647H								13.00
B655	3 7/16	CSEB22655H	6.1940	3 7/16	4.29	4 5/16	4 15/16	7/8	2 37/64	18.00
B663	3 15/16	CSEB22663H	7.3750	4	4.94	4 15/16	5 7/16	15/16	2 15/16	31.00

Additional Notes

- Please call 1-866-REXNORD for availability
- O.D. tolerance, +.000 in/-0.002 in (**+0.00 mm/-0.05 mm**)
- Bore tolerance for mounting, +.002 in/-0.000 in (**+0.05 mm/-0.00 mm**)
- Expansion - is 3/8 in for all size codes
- *Expansion plug diameter .531 in (**13.49 mm**), engagement depth .125 in +/-0.015 in (**3.18 mm +/-0.38 mm**)
- Hole for fixed location & slot for expansion location in the same housing

- Dimensions for "D", "P" & "U" based on unmounted condition
- H labyrinth seals standard
- All size codes available with type E lip seals & E7 triple lip seals
- For the Selection Guide, Load Ratings and Speed Limits, see the Link-Belt Spherical Roller Bearings Engineering section on pages 155 - 160.
- Note: Dimensions subject to change. Certified dimensions of ordered material furnished on request.

CB22400

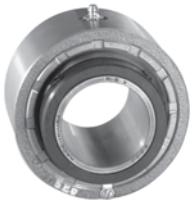
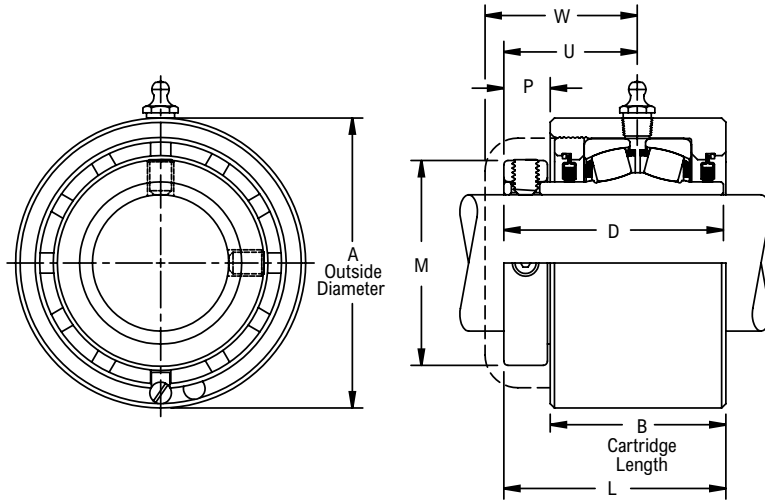


Photo Shows a Spherical Roller Bearing Cartridge Unit with Cast Iron Housing

Product Features

- Corrosion resistant powder coating
- Cast iron housing
- Misalignment capabilities - total of 4°
- Broad range of sealing options
- Factory set clearance & lubrication
- Hardened spring locking collar
- Field interchangeable seals
- See Features and Benefits for additional info on pages 152 - 153.



Bearing Dimensions

Size Code	Shaft Diameter	Part Number	A Outside Diameter	B Cartridge Length	D	L	M	P	U	W	Approx. Weight
B416	1	CB22416H	3.0000	2	2 ⁹ / ₁₆	2 ¹⁹ / ₃₂	1 ³ / ₄	¹⁷ / ₃₂	1 ⁹ / ₁₆	1 ²⁹ / ₃₂	3.00
	25.00	CB224M25H	76.2000	50.800	65.09	65.90	44.40	13.50	39.70	48.40	1.40
B420	1 ³ / ₁₆	CB22419H	3.2190	2 ¹ / ₈	2 ¹¹ / ₁₆	2 ²³ / ₃₂	1 ³¹ / ₃₂	¹⁷ / ₃₂	1 ⁵ / ₈	1 ³¹ / ₃₂	4.00
	1 ¹ / ₄	CB22420H									
B424	30.00	CB224M30H	81.7600	53.980	68.26	69.00	50.00	13.50	41.30	50.00	1.70
	1 ⁷ / ₁₆	CB22423H	3.4370	2 ³ / ₁₆	2 ⁷ / ₈	2 ²⁹ / ₃₂	2 ⁵ / ₁₆	²¹ / ₃₂	1 ²⁵ / ₃₂	2 ³ / ₁₆	4.00
1 ¹ / ₂	CB22424H										
B428	35.00	CB224M35H	87.3000	55.560	73.02	73.80	58.70	16.70	45.20	55.60	2.10
	1 ⁵ / ₈	CB22426H	3.9370	2 ⁷ / ₁₆	3 ¹ / ₈	3 ⁵ / ₃₂	2 ¹⁹ / ₃₂	²¹ / ₃₂	1 ²⁹ / ₃₂	2 ¹ / ₄	6.00
1 ¹¹ / ₁₆	CB22427H										
B432	1 ³ / ₄	CB22428H	4.1250	2 ⁷ / ₁₆	3 ¹ / ₈	3 ⁵ / ₃₂	2 ⁷ / ₈	²¹ / ₃₂	1 ²⁹ / ₃₂	2 ⁹ / ₃₂	6.00
	40.00	CB224M40H									
B436	45.00	CB224M45H	104.7800	61.910	79.38	80.20	73.00	16.70	48.40	57.90	3.10
	50.00	CB224M50H									3.00
B440	2 ³ / ₁₆	CB22431H	4.5310	2 ⁹ / ₁₆	3 ⁵ / ₁₆	3 ¹¹ / ₃₂	3 ¹ / ₄	²⁵ / ₃₂	2 ¹ / ₁₆	2 ⁷ / ₁₆	8.00
	2	CB22432H									
B444	45.00	CB224M45H	115.0900	65.090	84.14	84.90	82.60	19.80	52.40	61.90	3.80
	50.00	CB224M50H									3.80
B448	2 ¹ / ₂	CB22439H	5.0000	2 ⁵ / ₈	3 ¹ / ₂	3 ¹⁷ / ₃₂	3 ⁹ / ₁₆	²¹ / ₃₂	2 ³ / ₁₆	2 ⁹ / ₁₆	10.00
	60.00	CB224M60H									
B456	2 ¹ / ₁₆	CB22443H	5.8750	3 ¹ / ₈	4	4 ¹ / ₃₂	4 ¹ / ₁₆	²⁷ / ₃₂	2 ⁷ / ₁₆	2 ²⁵ / ₃₂	18.00
	2 ³ / ₄	CB22444H									17.00
B456	2 ¹⁵ / ₁₆	CB22447H	6.7500	3 ⁷ / ₁₆	4 ³ / ₈	4 ³ / ₈	4 ²⁹ / ₃₂	¹⁵ / ₁₆	2 ²¹ / ₃₂	3	16.00
	3	CB22448H									25.00
B456	65.00	CB224M65H	149.2200	79.380	101.60	102.40	103.20	21.40	61.90	70.60	8.10
	70.00	CB224M70H									8.00
B456	75.00	CB224M75H	171.4500	87.310	111.12	111.10	124.60	23.80	67.50	76.20	7.80
	80.00	CB224M80H									25.00
B456	85.00	CB224M85H	171.4500	87.310	111.12	111.10	124.60	23.80	67.50	76.20	23.00
	85.00	CB224M85H									11.20
											11.00

Additional Notes

- Please call 1-866-REXNORD for availability
- Lubrication fitting tap size, 1/8 in PT
- O.D. tolerance, +.000 in/-.002 in (+0.00 mm/-0.05 mm)
- Bore tolerance for mounting, +.002 in/-.000 in (+0.05 mm/-0.00 mm)
- H labyrinth seals standard
- All size codes available with type E lip seals, except E7 in size code B416

For the Selection Guide, Load Ratings and Speed Limits, see the Link-Belt Spherical Roller Bearings Engineering section on pages 155 - 160.

Note: Dimensions subject to change. Certified dimensions of ordered material furnished on request.

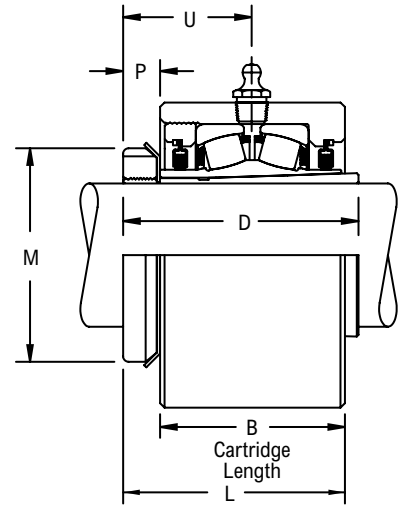
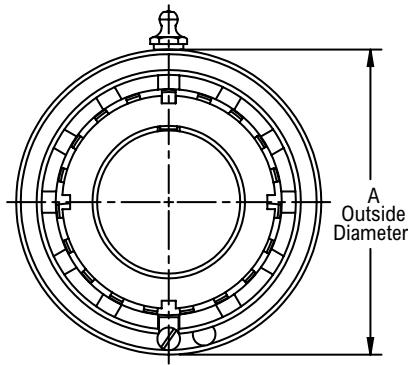
CB22600



Photo Shows a Spherical Roller Bearing Cartridge Unit with Cast Iron Housing

Product Features

- Corrosion resistant powder coating
 - Cast iron housing
 - Misalignment capabilities - total of 4°
 - Broad range of sealing options
 - Factory set clearance & lubrication
 - Enhanced life mounting style
 - Field interchangeable seals
- See Features and Benefits for additional info on pages 152 - 153.



Bearing Dimensions

Size Code	Shaft Diameter	Part Number	A Outside Diameter	B Cartridge Length	D	L	M	P	U	Approx. Weight
B624	1 7/16	CB22623H	3.4370	2 3/16	2.71	2 13/16	2 1/4	9/16	1 43/64	4.00
B631	1 15/16	CB22631H	4.1250	2 7/16	3.08	3 11/64	2 31/32	43/64	1 55/64	6.00
B635	2 3/16	CB22635H	4.5310	2 9/16	3.16	3 7/32	3 5/32	21/32	1 29/32	8.00
B639	2 7/16	CB22639H	5.0000	2 5/8	3.28	3 25/64	3 5/8	43/64	2 3/64	10.00
B647	2 11/16	CB22643H	5.8750	3 1/8	3.86	4	4 5/32	3/4	2 19/64	18.00
	2 15/16	CB22647H								16.00
B655	3 7/16	CB22655H	6.7500	3 7/16	4.29	4 3/8	4 15/16	7/8	2 9/16	23.00

Additional Notes

- Please call 1-866-REXNORD for availability
- Lubrication fitting tap size, 1/8 in PT
- Dimensions for "D", "P" & "U" based on unmounted condition
- O.D. tolerance, +.000 in/- .002 in (+0.00 mm/-0.05 mm)
- Bore tolerance for mounting, +.002 in/- .000 in (+0.05 mm/-0.00 mm)
- H labyrinth seals standard

All size codes available with type E lip seals & E7 triple lip seals
 For the Selection Guide, Load Ratings and Speed Limits, see the Link-Belt Spherical Roller Bearings Engineering section on pages 155 - 160.

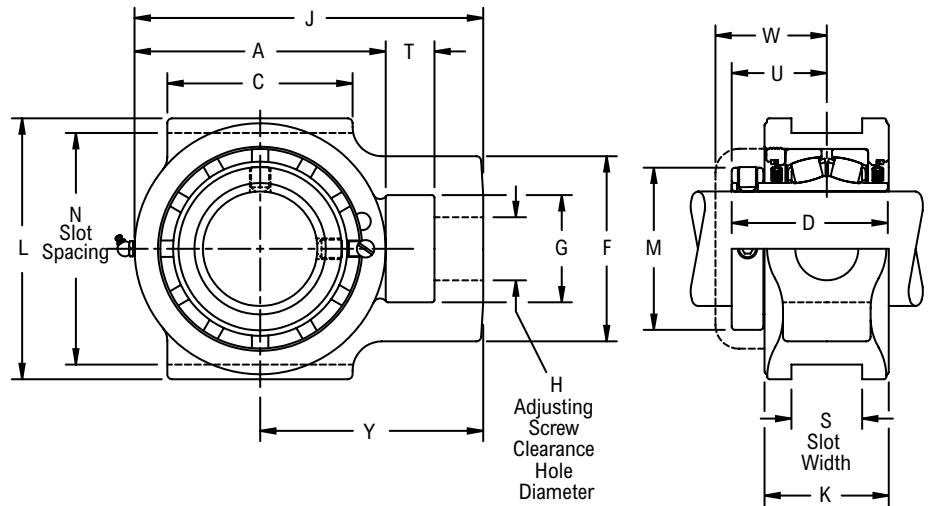
Note: Dimensions subject to change. Certified dimensions of ordered material furnished on request.

TB22400

Interchange: WSTUS2, WSTUE, TBR, USTU5000, QATU, ETUTRB



Photo Shows a Spherical Roller Bearing Take-up Unit



Product Features

- Corrosion-resistant powder coating
- Cast iron housing
- Misalignment capabilities - total of 4°
- Broad range of sealing options
- Factory set clearance & lubrication
- Hardened spring locking collar
- Field interchangeable seals
- See Features and Benefits for additional info on pages 152 - 153.

Bearing Dimensions

Size Code	Shaft Diameter	Part Number	H Adjusting Screw Hole Diameter	N Slot Spacing	S Slot Width	A	C	D	F	G	J	K	L	M	T	U	W	Y	Approx. Weight		
B416	1	TB22416H	³ / ₄	3.000	0.531	3	2 1/4	2 9/16	2	1 1/4	4 1/16	2	3 5/8	1 3/4	5/8	1 9/16	1 29/32	2 9/16	4.40		
	25.00	TB224M25H	19.10	76.200	13.490	76.20	57.20	65.09	50.80	31.80	103.20	50.80	92.10	44.40	15.90	39.70	48.40	65.10	2.00		
B420	1 3/16	TB22419H	7/8	3.500	0.531	3 3/8	2 1/2	2 11/16	2 5/16	1 7/16	4 9/16	2 1/8	4 1/8	1 31/32	5/8	1 5/8	1 31/32	2 7/8	5.70		
	1 1/4	TB22420H	30.00	TB224M30H	22.20	88.900	13.490	85.73	63.50	68.26	58.70	36.50	115.90	53.90	104.80	50.00	15.90	41.30	50.00	73.00	2.60
B424	1 7/16	TB22423H	7/8	3.500	0.531	3 3/4	2 3/4	2 7/8	2 3/8	1 7/16	5 1/16	2 3/16	4 1/8	2 5/16	5/8	1 25/32	2 3/16	3 1/4	6.40		
	1 1/2	TB22424H	35.00	TB224M35H	22.20	88.900	13.490	95.25	69.80	73.02	60.30	36.50	128.60	55.60	104.80	58.70	15.90	45.20	55.60	82.60	2.90
B428	1 5/8	TB22426H	1 1/8	4.000	0.687	4 1/4	3 1/4	3 1/8	3 3/16	1 15/16	5 15/16	2 7/16	4 3/4	2 19/32	3/4	1 29/32	2 1/4	3 13/16	9.70		
	1 11/16	TB22427H	40.00	TB224M40H	28.60	101.600	17.460	107.95	82.60	79.38	81.00	49.20	150.80	61.90	120.60	65.90	19.00	48.40	57.20	96.80	4.50
B432	1 3/4	TB22428H	1 1/8	4.000	0.687	4 1/2	3 3/8	3 1/8	3 3/16	1 15/16	6 3/16	2 7/16	4 1/2	2 7/8	3/4	1 29/32	2 9/32	3 15/16	9.90		
	1 15/16	TB22431H	2	TB22432H	28.60	101.600	17.460	114.30	85.70	79.38	81.00	49.20	157.20	61.90	114.30	73.00	19.00	48.40	57.90	100.00	4.70
B436	2	TB22435H	1 3/8	4.500	0.813	5	3 3/4	3 5/16	3 3/4	2 1/4	7 1/8	2 1/2	5 1/4	3 1/4	1 1/4	2 1/16	2 7/16	4 5/8	14.10		
	2 1/4	TB22436H	55.00	TB224M55H	34.90	114.300	20.640	127.00	95.20	84.14	95.20	57.20	181.00	63.50	133.40	82.60	31.80	52.40	61.90	117.50	6.80
B440	2 7/16	TB22439H	1 3/8	5.125	1.063	5 1/2	4	3 1/2	4 1/8	2 1/4	7 13/16	2 5/8	5 7/8	3 9/16	1 1/4	2 3/16	2 9/16	5 1/16	18.00		
	2 1/2	TB22440H	60.00	TB224M60H	34.90	130.180	26.990	139.70	101.60	88.90	104.80	57.20	198.40	66.70	149.20	90.50	31.80	55.60	65.10	128.60	8.30
B448	2 11/16	TB22443H	1 5/8	5.937	1.812	6 7/16	4 3/4	4	4 3/4	2 3/4	9 1/8	3 1/8	6 11/16	4 1/16	1 1/2	2 7/16	2 25/32	5 15/16	23.60		
	2 3/4	TB22444H	70.00	TB224M70H	41.30	150.810	46.020	163.50	120.60	101.60	120.60	69.80	231.80	79.40	169.90	103.20	38.10	61.90	70.60	150.80	23.50
	2 15/16	TB22447H	75.00	TB224M75H	47.60	173.020	46.020	187.30	139.70	111.12	123.80	73.00	254.00	87.30	198.40	124.60	41.30	67.50	76.20	160.30	23.00
	3	TB22448H	80.00	TB224M80H	47.60	173.020	46.020	187.30	139.70	111.12	123.80	73.00	254.00	87.30	198.40	124.60	41.30	67.50	76.20	160.30	22.90
	3 7/16	TB22455H	85.00	TB224M85H	47.60	173.020	46.020	187.30	139.70	111.12	123.80	73.00	254.00	87.30	198.40	124.60	41.30	67.50	76.20	160.30	10.60
B456	3 1/2	TB22456H	1 7/8	6.812	1.812	7 3/8	5 1/2	4 3/8	4 7/8	2 7/8	10	3 7/16	7 13/16	4 29/32	1 5/8	2 21/32	3	6 5/16	43.50		
	3 7/16	TB22455H	80.00	TB224M80H	47.60	173.020	46.020	187.30	139.70	111.12	123.80	73.00	254.00	87.30	198.40	124.60	41.30	67.50	76.20	160.30	43.10
B464	3 15/16	TB22463H	2 1/8	8.625	2.062	8 7/8	7	5 1/16	5 1/4	3 1/8	12 1/8	4 1/8	9 7/16	5 5/8	2 1/8	3 1/16	3 7/16	7 11/16	77.00		
	4	TB22464H	90.00	TB224M90H	53.98	219.080	52.370	225.40	177.80	128.59	133.40	79.40	308.00	104.80	239.70	142.90	54.00	77.80	87.30	195.30	76.00
	100.00	TB224M100H	53.98	219.080	52.370	225.40	177.80	128.59	133.40	79.40	308.00	104.80	239.70	142.90	54.00	77.80	87.30	195.30	34.90		

Additional Notes

- Please call 1-866-REXNORD for availability
- Lubrication fitting tap size, 1/8" PT
- Take-up slot spacing & width tolerance, +.005 in/-0.015 in (+0.13 mm/-0.38 mm)
- H labyrinth seals standard
- All size codes available with type E lip seals, except E7 in size code B416

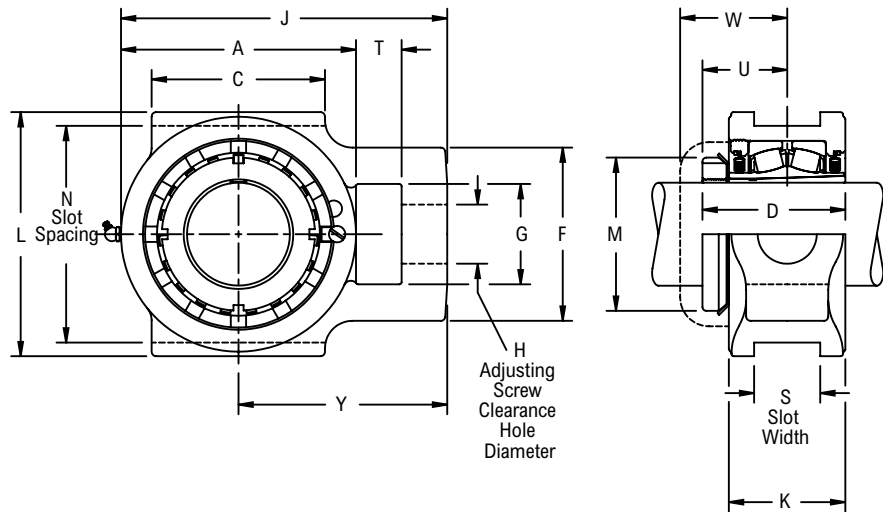
For the Selection Guide, Load Ratings and Speed Limits, see the Link-Belt Spherical Roller Bearings Engineering section on pages 155 - 160.
 Note: Dimensions subject to change. Certified dimensions of ordered material furnished on request.

TB22600

Interchange: WSTUIP, USTU5000A, QVVTU



Photo Shows a Spherical Roller Bearing Take-up Unit



Product Features

- Corrosion-resistant powder coating
 - Cast iron housing
 - Misalignment capabilities - total of 4°
 - Broad range of sealing options
 - Factory set clearance & lubrication
 - Enhanced life mounting style
 - Field interchangeable seals
- See Features and Benefits for additional info on pages 152 - 153.

Bearing Dimensions

Size Code	Shaft Diameter	Part Number	H Adjusting Screw Hole Diameter	N Slot Spacing	S Slot Width	A	C	D	F	G	J	K	L	M	T	U	W	Y	Approx. Weight
B624	1 7/16	TB22623H	7/8	3.500	0.531	3 3/4	2 3/4	2.71	2 3/8	1 7/16	5 1/16	2 3/16	4 1/8	2 1/4	5/8	1 39/64	2 3/16	3 1/4	6.40
B631	1 15/16	TB22631H	1 1/8	4.000	0.687	4 1/2	3 3/8	3.08	3 3/16	1 15/16	6 3/16	2 7/16	4 1/2	2 31/32	3/4	1 55/64	2 9/32	3 15/16	9.70
B635	2 3/16	TB22635H	1 3/8	4.500	0.813	5	3 3/4	3.16	3 3/4	2 1/4	7 1/8	2 1/2	5 1/4	3 5/32	1 1/4	1 29/32	2 7/16	4 5/8	14.10
B639	2 7/16	TB22639H	1 3/8	5.125	1.063	5 1/2	4	3.28	4 1/8	2 1/4	7 13/16	2 5/8	5 7/8	3 5/8	1 1/4	1 31/32	2 9/16	5 1/16	17.80
B647	2 11/16	TB22643H	1 5/8	5.937	1.812	6 7/16	4 3/4	3.86	4 3/4	2 3/4	9 1/8	3 1/8	6 11/16	4 5/32	1 1/2	2 19/64	2 25/32	5 15/16	13.50
	2 15/16	TB22647H																	13.00
B655	3 7/16	TB22655H	1 7/8	6.812	1.812	7 3/8	5 1/2	4.29	4 7/8	2 7/8	10	3 7/16	7 13/16	4 15/16	1 5/8	2 37/64	3	6 5/16	43.10
B663	3 15/16	TB22663H	2 1/8	8.625	2.062	8 7/8	7	4.94	5 1/4	3 1/8	12 1/8	4 1/8	9 7/16	5 7/16	2 1/8	2 15/32	3 7/16	7 11/16	76.00

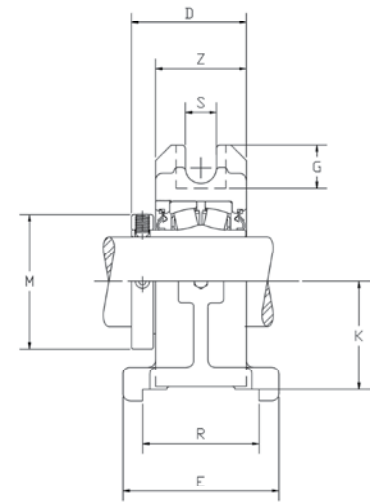
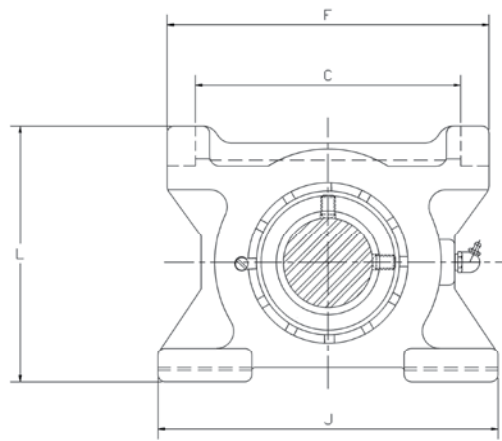
Additional Notes

- Please call 1-866-REXNORD for availability
- Lubrication fitting tap size, 1/8" PT
- Dimensions for "D" & "U" based on unmounted condition
- Take-up slot spacing & width tolerance, +.005 in/- .015 in (**+0.13 mm/-0.38 mm**)
- H labyrinth seals standard
- All size codes available with type E lip seals & E7 triple lip seals

For the Selection Guide, Load Ratings and Speed Limits, see the Link-Belt Spherical Roller Bearings Engineering section on pages 155 - 160.

Note: Dimensions subject to change. Certified dimensions of ordered material furnished on request.

DSB22400



Product Features

- Corrosion-resistant powder coating
- Cast iron housing
- Misalignment capabilities - total of 4°
- Broad range of sealing options
- Factory set clearance & lubrication
- Hardened spring locking collar
- Field interchangeable seals
- See Features and Benefits for additional info on pages 152 - 153.

Bearing Dimensions

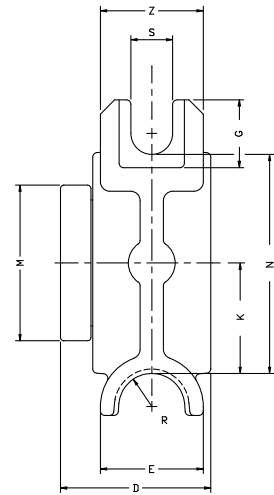
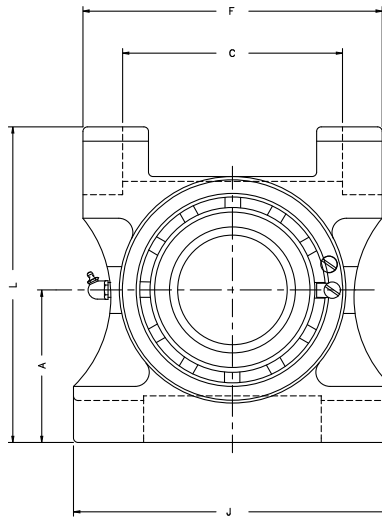
Size Code	Shaft Diameter	Part Number	C	D	E	F	G	J	K	L	M	R	S	Z	Approx. Weight
B432	1 15/16	DSB22431H	5 5/16	3 1/8	3 13/16	6 9/16	1 3/8	6 9/16	2.188	5 7/16	2 15/16	3.078	0.88	2 7/16	13.00
	45MM	DSB224M45H	134.87	79.38	96.77	166.62	35.05	166.62	55.58	138.18	73.03	78.18	22.35	61.98	5.9
B436	2 3/16	DSB22435H	6 5/16	3 9/16	3 13/16	7 9/16	1 5/16	7 9/16	2.438	5 13/16	3 1/4	3.078	0.88	2 9/16	17.30
	55MM	DSB224M55H	160.27	84.14	96.77	192.02	33.27	192.02	61.93	147.57	82.60	78.18	22.35	65.02	7.8
B440	2 7/16	DSB22439H	7	3 1/2	3 15/16	8 9/16	1 15/32	8 9/16	2.625	6 3/8	3 9/16	3.078	1	2 5/8	21.85
	60MM	DSB224M60H	177.80	88.90	100.08	217.42	37.34	217.42	66.68	162.05	90.50	78.18	25.4	66.55	9.9
B448	2 15/16	DSB22447H	6 51/64	4	5 1/16	8 5/8	1 11/16	8 5/8	3.125	7 1/2	4 1/16	4.078	1.12	3 1/8	29.80
	65MM	DSB224M65H	172.64	101.60	128.52	218.95	42.93	218.95	79.38	190.50	103.20	103.58	28.45	79.50	13.5
	70MM	DSB224M70H													
75MM	DSB224M75H														
B456	3 7/16	DSB22455H	8 5/16	4 3/8	5 3/16	10 5/16	1 29/32	10 5/16	3.625	8 11/16	4 15/16	4.078	1.24	3 7/16	44.00
	80MM	DSB224M80H	211.07	111.13	131.83	261.87	48.51	261.87	92.08	218.95	124.62	103.58	31.50	87.38	20.0
	85MM	DSB224M85H													
B464	3 15/16	DSB22463H	10 3/8	5 1/16	6 11/32	12 1/2	2 3/16	12 1/2	4.75	11 3/16	5 5/8	5.14	1.38	4 1/8	83.00
	90MM	DSB224M90H	263.65	128.59	161.13	317.50	55.63	317.50	120.65	284.23	142.90	130.56	35.05	104.90	37.6
	100MM	DSB224M100H													

Additional Notes

- Please call 1-866-REXNORD for availability
- Lubrication fitting tap size: 1/8 in NPT
- H labyrinth seals standard
- All size codes available with type E lip seals & E7 triple lip seals

For the Selection Guide, Load Ratings and Speed Limits, see the Link-Belt Spherical Roller Bearings Engineering section on pages 155 - 160.
 Note: Dimensions subject to change. Certified dimensions of ordered material furnished on request.

Blank lined page for notes or comments.

ETPB22400**Interchange:** *TPHUS2, TPE, USTA5000, ETTUTRB***Product Features**

- Cast iron Type E housing
- Corrosion resistant powder coating
- Misalignment capabilities - Total of 4°
- Broad range of sealing options
- Factory set clearance & lubrication
- Field interchangeable seals
- See Features and Benefits for additional info on pages 152 - 153.

Bearing Dimensions

Size Code	Shaft Diameter	Part Number	A Base to Centerline Height	C	D	E	F	G	J	K	L	M	N	R	S	Z	Approx. Weight
B432	1 ¹⁵ / ₁₆	ETPB22431H	3 ⁷ / ₃₂	4 ¹ / ₂	3 ¹ / ₈	2 ³ / ₈	6	1 ³ / ₈	6 ¹ / ₂	2	6 ⁷ / ₁₆	2 ⁷ / ₈	4	1 ³ / ₁₆	1 ⁵ / ₁₆	2 ¹³ / ₃₂	15.00
	2	ETPB22432H															
B436	2 ³ / ₁₆	ETPB22435H	3 ¹⁵ / ₃₂	5 ¹ / ₄	3 ⁵ / ₁₆	2 ⁷ / ₁₆	6 ³ / ₄	1 ¹³ / ₃₂	7	2 ¹ / ₄	6 ²⁹ / ₃₂	3 ¹ / ₄	4 ¹ / ₂	1 ³ / ₁₆	1 ⁵ / ₁₆	2 ⁵ / ₈	15.00
B440	2 ⁷ / ₁₆	ETPB22439H	3 ¹ / ₂	4 ⁷ / ₈	3 ¹ / ₂	2 ³ / ₄	7	1 ²⁵ / ₃₂	7 ¹ / ₂	2 ³ / ₈	7 ³ / ₈	3 ⁹ / ₁₆	4 ¹³ / ₁₆	7 ⁷ / ₈	1 ³ / ₃₂	2 ³ / ₄	21.00
	2 ¹ / ₂	ETPB22440H															
B448	2 ¹⁵ / ₁₆	ETPB22447H	4 ⁵ / ₆₄	5 ⁷ / ₈	4	2 ³ / ₄	8	1 ¹³ / ₁₆	8 ¹ / ₂	2 ³¹ / ₃₂	8 ⁷ / ₁₆	4 ¹ / ₁₆	5 ¹³ / ₁₆	7 ⁷ / ₈	1 ³ / ₃₂	3 ⁵ / ₃₂	29.00
	3	ETPB22448H															
B456	3 ⁷ / ₁₆	ETPB22455H	4 ¹ / ₂	6 ⁷ / ₁₆	4 ³ / ₈	2 ³ / ₄	8 ¹⁵ / ₁₆	2 ³ / ₆₄	9 ³ / ₈	3 ¹ / ₂	9 ¹ / ₂	4 ²⁹ / ₃₂	6 ³ / ₄	7 ⁷ / ₈	1 ³ / ₈	3 ⁷ / ₁₆	41.00
B464	3 ¹⁵ / ₁₆	ETPB22463H	5 ¹ / ₂	8	5 ¹ / ₁₆	3 ¹ / ₈	10 ¹ / ₂	2 ¹ / ₁₆	11	3 ¹⁵ / ₁₆	10 ¹⁵ / ₁₆	5 ⁵ / ₈	7 ²¹ / ₃₂	1 ⁵ / ₁₆	1 ³ / ₈	4	68.00

Additional Notes

- Please call 1-866-REXNORD for availability
- Lubrication fitting tap size, 1/8" PT
- H labyrinth seals standard
- All size codes available with type E lip seals & E7 triple lip seals

For the Selection Guide, Load Ratings and Speed Limits, see the Link-Belt Spherical Roller Bearings Engineering section on pages 155 - 160.

Note: Dimensions subject to change. Certified dimensions of ordered material furnished on request.

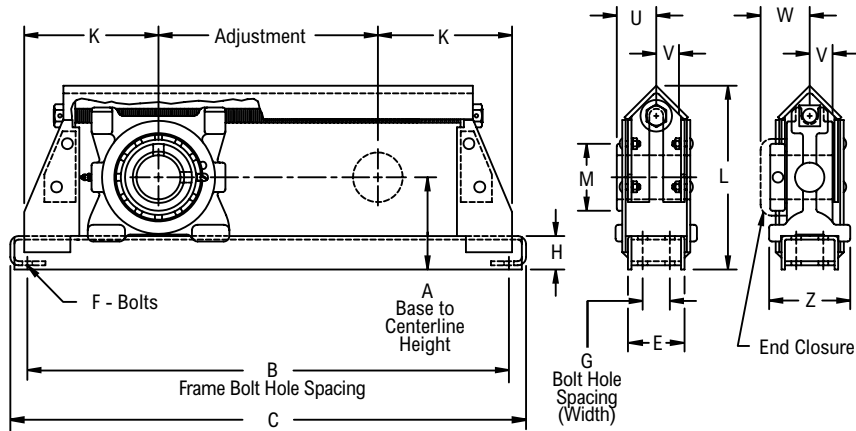
DSB22400



Photo Shows a Hinged Top, Welded Steel Conveyor Take-up Frame with Spherical Roller Bearing Take-up Unit

Product Features

- Protected screw type frame
- Corrosion-resistant powder coating
- Cast iron housing
- Misalignment capabilities - total of 4°
- Broad range of sealing options
- Factory set clearance & lubrication
- Field interchangeable seals
- See Features and Benefits for additional info on pages 152 - 153.



Bearing Dimensions

Size Code	Shaft Diameter	Complete Take-up Assembly	Travel Length	A Base to Centerline Height	B Frame Bolt Hole Spacing	G Bolt Hole Spacing (Width)	C	E	F	H	K	L	M	U	V	W	Z	Adjust.	Approx. Weight
B432	1 15/16	DSB22431H	12 18 24	3 15/16	26 1/2 32 1/2 38 1/2	-	28 1/2 34 1/2 40 1/2	3	5/8	1 3/4	7 1/4	8 1/4	2 7/8	1 29/32	1 1/4	2 9/32	4 1/8	12 18 24	43 49 54
	45.00	DSB224M45H	12 18 24	100.00	673.1 825.5 977.9	-	723.9 876.3 1028.7	76.20	16.00	44.40	184.20	209.60	73.00	48.40	31.80	57.90	104.80	304.8 457.2 609.6	19.5 22.2 24.5
	50.00	DSB224M50H	12 18 24																
B436	2 3/16	DSB22435H	12 18 24	4 3/16	27 1/2 33 1/2 39 1/2	-	29 1/2 35 1/2 41 1/2	3	5/8	1 3/4	7 3/4	8 11/16	3 1/4	2 1/16	1 9/32	2 7/16	4 1/8	12 18 24	49 55 60
	55.00	DSB224M55H	12 18 24	106.40	698.5 850.9 1003.3	-	749.3 901.7 1054.1	76.20	16.00	44.40	196.80	220.70	82.60	52.40	32.50	61.90	104.80	304.8 457.2 609.6	22.2 24.9 27.2
			12 18 24 30																
B440	2 7/16	DSB22439H	12 18 24 30	4 3/8	28 1/2 34 1/2 40 1/2 46 1/2	-	30 1/2 36 1/2 42 1/2 48 1/2	3	3/4	1 3/4	8 1/4	9 1/8	3 9/16	2 3/16	1 3/8	2 9/16	4 1/8	12 18 24 30	55 61 66 71
	60.00	DSB224M60H	12 18 24 30	111.10	723.9 876.3 1028.7 1181.1	-	774.7 927.1 1079.5 1231.9	76.20	20.00	44.40	209.60	231.80	90.50	55.60	34.90	65.10	104.80	304.8 457.2 609.6 762.0	24.9 27.2 29.9 32.2
			12 18 24 30																
B448	2 15/16	DSB22447H	12 18 24 30	5 1/8	30 1/2 36 1/2 42 1/2 48 1/2	2	32 1/2 38 1/2 44 1/2 50 1/2	4	5/8	2	9 1/4	10 5/8	4 1/16	2 7/16	1 5/8	2 25/32	5 1/8	12 18 24 30	80 89 97 105
	65.00	DSB224M65H	12 18 24 30	130.20	774.4 927.1 1079.5 1231.9	50.80	825.5 977.9 1130.3 1282.7	101.60	16.00	50.80	235.00	269.90	103.20	61.90	41.30	70.60	130.20	304.8 457.2 609.6 762.0	36.3 40.4 44.4 47.6
	70.00	DSB224M70H	12 18 24 30																
B456	3 7/16	DSB22455H	12 18 24 30	5 5/8	32 38 44 50	2	34 1/4 40 1/4 46 1/4 52 1/4	4	3/4	2	10	11 13/16	4 29/32	2 21/32	1 23/32	3	5 5/8	12 18 24 30	107 116 124 132
	80.00	DSB224M80H	12 18 24 30	142.90	812.8 965.2 1117.6 1270.0	50.80	870.0 1022.4 1174.8 1327.2	101.60	20.00	50.80	254.00	300.00	124.60	67.50	43.60	76.20	142.90	304.8 457.2 609.6 762.0	48.5 52.6 56.2 59.9
	85.00	DSB224M85H	12 18 24 30																
B464	3 15/16	DSB22463H	12 18 24 30	7	36 42 48 54	2 1/2	38 1/2 44 1/2 50 1/2 56 1/2	5	3/4	2 1/4	12	14 11/16	5 5/8	3 1/16	2	3 7/16	6 7/8	12 18 24 30	180 192 202 212
	90.00	DSB224M90H	12 18 24 30	177.80	914.4 1066.8 1219.2 1371.6	63.50	977.9 1120.3 1282.7 1435.1	127.00	20.00	57.20	304.80	373.10	142.90	77.80	50.80	87.30	174.60	304.8 457.2 609.6 762.0	81.6 87.1 91.6 96.2
	100.00	DSB224M100H	12 18 24 30																

Additional Notes

- Please call 1-866-REXNORD for availability
- Lubrication fitting tap size, 1/8" PT
- For size code B464, frame has hinged top construction
- Frames with 18 in (457.20 mm) adjustment or more have center supporting pad welded to bottom of frame

- H labyrinth seals standard
- All size codes available with type E lip seals & E7 triple lip seals
- For the Selection Guide, Load Ratings and Speed Limits, see the Link-Belt Spherical Roller Bearings Engineering section on pages 155 - 160.
- Note: Dimensions subject to change. Certified dimensions of ordered material furnished on request.

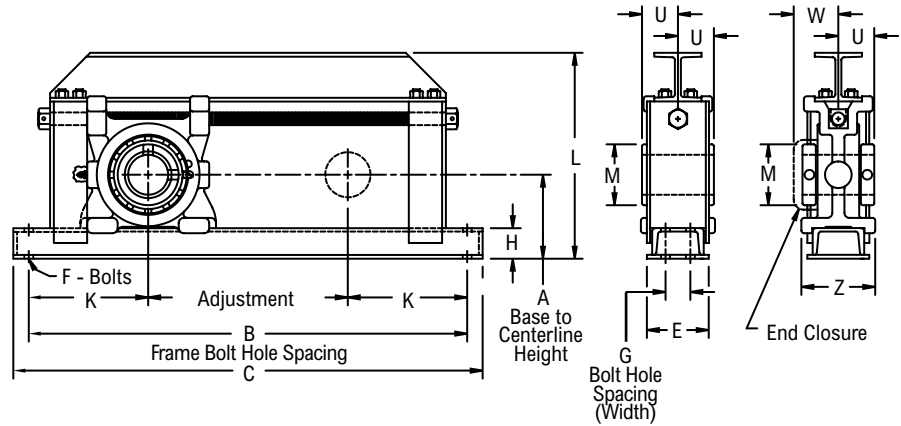
DSHB22500



Photo Shows a Hinged Top, Extra Strength Welded Steel Conveyor Take-up Frame with Spherical Roller Bearing Take-up Unit

Product Features

- Extra strength welded steel frame
- Corrosion-resistant powder coating
- Cast iron housing
- Misalignment capabilities - total of 4°
- Broad range of sealing options
- Factory set clearance & lubrication
- Field interchangeable seals
- See Features and Benefits for additional info on pages 152 - 153.



Bearing Dimensions

Size Code	Shaft Diameter	Complete Take-up Assembly	Travel Length	A Base to Centerline Height	B Frame Bolt Hole Spacing	G Bolt Hole Spacing (Width)	C	E	F	H	K	L	M	U	W	Z	Adjust.	Approx. Weight
B531	1 15/16	DSHB22531H	12	3 15/16	27 1/2	-	29 1/2	3 1/2	5/8	1 3/4	7 3/4	10 5/8	2 7/8	1 29/32	2 9/32	4 1/8	12	78
			18		33 1/2		35 1/2					18		88				
			24		39 1/2		41 1/2					24		98				
B536	2 3/16	DSHB22535H	12	4 7/16	27 1/2	-	29 1/2	4 1/2	5/8	2	7 3/4	11 1/4	3 1/4	2 1/16	2 7/16	5 1/4	12	83
			18		33 1/2		35 1/2					18		93				
			24		39 1/2		41 1/2					24		103				
B540	2 7/16	DSHB22539H	12	4 5/8	28 1/2	-	30 1/2	4 1/2	3/4	2	8 1/4	12 13/16	3 9/16	2 3/16	2 9/16	5 1/4	12	105
			18		34 1/2		36 1/2					18		118				
			24		40 1/2		42 1/2					24		132				
B548	2 15/16	DSHB22547H	12	5 1/8	30 1/2	2	32 1/2	4 1/2	5/8	2	9 1/4	13 15/16	4 1/16	2 7/16	2 25/32	5 1/4	12	125
			18		36 1/2		38 1/2										18	140
			24		42 1/2		44 1/2										24	155
			30		48 1/2		50 1/2										30	170
			36		54 1/2		56 1/2										36	185
B556	3 7/16	DSHB22555H	12	5 5/8	32	2	34 1/4	4 1/2	3/4	2	10	15 1/16	4 29/32	2 21/32	3	5 5/8	12	146
			18		38		40 1/4										18	162
			24		44		46 1/4										24	178
			30		50		52 1/4										30	194
			36		56		58 1/4										36	210
B564	3 15/16	DSHB22563H	12	7	36	2 1/2	38 1/2	5 1/2	3/4	2 1/4	12	17 1/16	5 5/8	3 1/16	3 7/16	6 7/8	12	260
			18		42		44 1/2										18	278
			24		48		50 1/2										24	296
			30		54		56 1/2										30	314
			36		60		62 1/2										36	332

Additional Notes

- Please call 1-866-REXNORD for availability
- Lubrication fitting tap size, 1/8" PT
- H labyrinth seals standard
- All size codes available with type E lip seals & E7 triple lip seals
- For the Selection Guide, Load Ratings and Speed Limits, see the Link-Belt Spherical Roller Bearings Engineering section on pages 155 - 160.

Note: Dimensions subject to change. Certified dimensions of ordered material furnished on request.

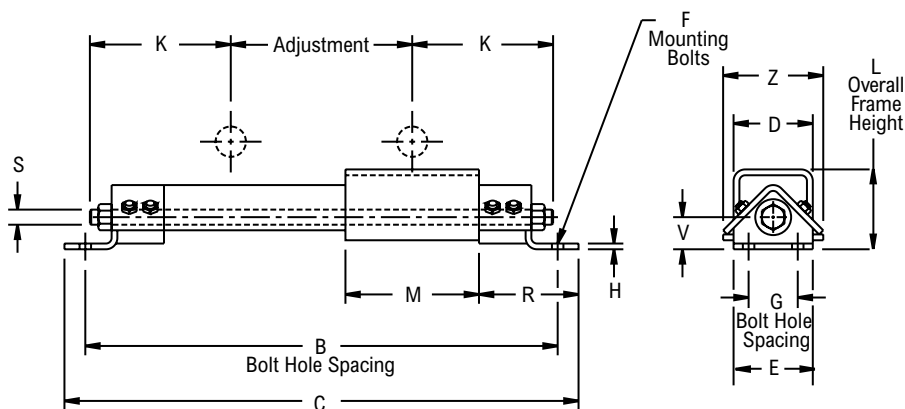
LHD FRAME



Photo Shows a Protected Screw Type Frame

Product Features

- Protected screw type frame
- Welded steel frame



Bearing Dimensions

Size Code	Available Shaft Sizes			Part Number	Adjustment Length	B Bolt Hole Spacing	G Bolt Hole Spacing in Width Direction	L Overall Frame Height	C	D	E	F	H	K	M	R	S	V	Z	Approx. Weight
	PB/PKB 22400/22600 Series	PB22500 Series	EPB22400/22500/22600 Series																	
LHD20	1 3/16-2 1/2	1 7/16-2 7/16	1 7/16-2 1/2	LHD2012	12	29	2 1/2	5 1/4	31	4	5	5/8	1/4	8 1/2	11	4	3/4	2	6 1/4	48.00
				LHD2018	18	35			37											52.00
				LHD2024	24	41			43											56.00
				LHD2030	30	47			49											65.00
				LHD2036	36	53			55											70.00
				LHD2048	48	65			67											81.00
				LHD25	2 11/16-3	2 11/16-2 15/16			2 11/16-3											LHD2512
LHD2518	18	38 3/4	41 1/4				100.00													
LHD2524	24	44 3/4	47 1/4				110.00													
LHD2530	30	50 3/4	53 1/4				115.00													
LHD2536	36	56 3/4	59 1/4				120.00													
LHD2548	48	68 3/4	71 1/4				127.00													
LHD30	3 3/16-3 1/2	3 7/16	-				LHD3012	12		35 1/2	3	7	38 1/4	6	6 1/2	3/4	1/2	11 3/4	14 1/4	6
				LHD3018	18	41 1/2	44 1/4	162.00												
				LHD3024	24	47 1/2	50 1/4	166.00												
				LHD3030	30	53 1/2	56 1/4	173.00												
				LHD3036	36	59 1/2	62 1/4	183.00												
				LHD3048	48	71 1/2	74 1/4	214.00												
				LHD35	3 11/16-4	3 15/16-4 1/2	3 3/16-3 1/2	LHD3512	12	37 1/4			3							
LHD3518	18	43 1/4	46					190.00												
LHD3524	24	49 1/4	52					195.00												
LHD3530	30	55 1/4	58					200.00												
LHD3536	36	61 1/4	64					210.00												
LHD3548	48	73 1/4	76					234.00												
LHD40	-	4 15/16-5	-					LHD4012	12	41 1/4	3	7		44	7	6 1/2	3/4	1/2	14 5/8	20
				LHD4018	18	47 1/4	50	220.00												
				LHD4024	24	53 1/4	56	265.00												
				LHD4030	30	59 1/4	62	270.00												
				LHD4036	36	65 1/4	68	290.00												
				LHD4048	48	77 1/4	80	300.00												

Additional Notes

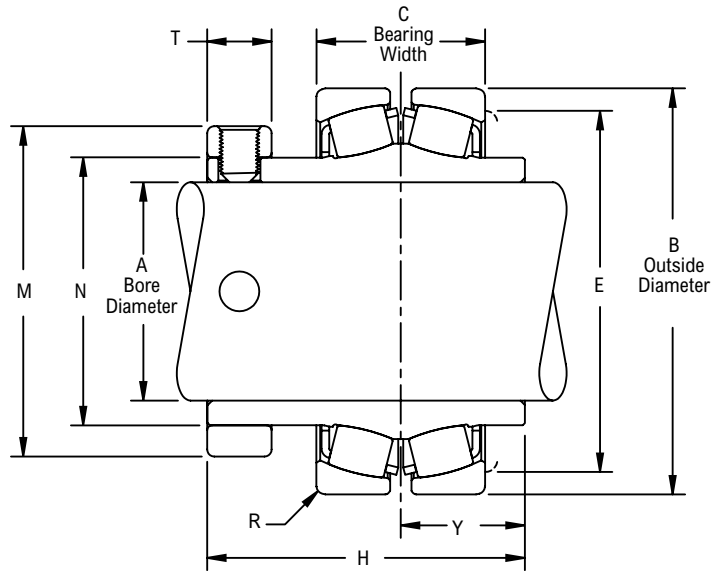
Please call 1-866-REXNORD for availability
 Note: Dimensions subject to change. Certified dimensions of ordered material furnished on request.



Photo Shows an Unmounted Spherical Roller Bearing Unit

Product Features

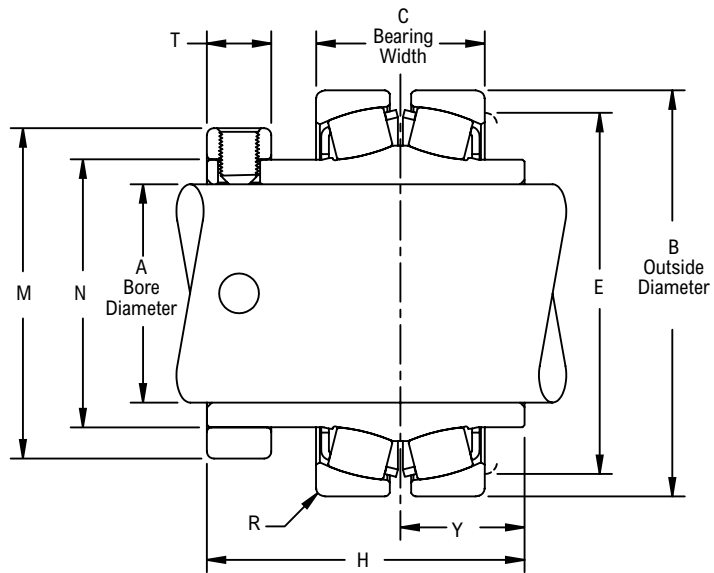
- Hardened spring locking collar
- Self aligning
- See Features and Benefits for additional info on pages 152 - 153.



Bearing Dimensions

Size Code	Shaft Diameter	Part Number	A Bore Diameter	B Outside Diameter	C Bearing Width	E	H	M	N	R	T	Y	Approx. Weight										
B416	1	B416L	1.0000	2.3750	1.1880	2	2.56	1.75	1.307	0.046	1/2	1	1.30										
	25.00	B4M25L	25.0000	60.3250	30.1800	50.80	65.09	44.40	33.200	1.170	12.70	25.40	0.60										
B420	1 3/16	B419L	1.1875	2.6250	1.3120	2 5/16	2.69	1.97	1.532	0.062	1/2	1 1/16	1.80										
	1 1/4	B420L	1.2500																				
	30.00	B4M30L	30.0000	66.6750	33.3200	58.70	68.26	50.00	38.910	1.570	12.70	26.99	0.80										
B424	1 7/16	B423L	1.4375	2.8345	1.3100	2 1/2	2.88	2.31	1.745	0.062	5/8	1 3/32	2.20										
	1 1/2	B424L	1.5000																				
	35.00	B4M35L	35.0000	72.0000	33.2700	63.50	73.02	58.70	44.320	1.570	15.90	27.78	1.00										
B428	1 1/2	B4B24L	1.5000	3.3464	1.5780	2 7/8	3.13	2.59	2.027	0.062	5/8	1 7/32	3.20										
	1 5/8	B426L	1.6250																				
	1 11/16	B427L	1.6875																				
	1 3/4	B428L	1.7500																				
40.00	B4M40L	40.0000	85.0000	40.0800	73.00	79.38	65.90	51.480	1.570	15.90	30.96	1.40											
B432	1 3/4	B4B28L	1.7500	3.5433	1.5260	3 3/16	3.13	2.88	2.307	0.078	5/8	1 7/32	3.30										
	1 15/16	B431L	1.9375																				
	2	B432L	2.0000																				
	45.00	B4M45L	45.0000											90.0000	38.7600	81.00	79.38	73.00	58.590	1.980	15.90	30.96	1.50
	50.00	B4M50L	50.0000																				
B436	2 3/16	B435L	2.1875	3.9370	1.6560	3 1/2	3.31	3.25	2.620	0.062	3/4	1 1/4	4.60										
	2 1/4	B436L	2.2500																				
	55.00	B4M55L	55.0000											100.0000	42.0600	88.90	84.14	82.60	66.550	1.570	19.00	31.75	2.10
B440	2 1/4	B4B36L	2.2500	4.3307	1.7500	3 7/8	3.50	3.56	2.901	0.078	13/16	1 5/16	5.80										
	2 7/16	B439L	2.4375																				
	2 1/2	B440L	2.5000																				
	60.00	B4M60L	60.0000											110.0000	44.4500	98.40	88.90	90.50	73.690	1.980	20.60	33.34	2.60
B448	2 11/16	B443L	2.6875	5.1172	2.1250	4 17/32	4.00	4.06	3.370	0.078	13/16	1 9/16	9.50										
	2 3/4	B444L	2.7500																				
	2 15/16	B447L	2.9375																				
	3	B448L	3.0000																				
	65.00	B4M65L	65.0000											130.0000	53.9800	115.10	101.60	103.20	85.600	1.980	20.60	39.69	4.30
	70.00	B4M70L	70.0000																				
75.00	B4M75L	75.0000																					
B456	3 3/16	B451L	3.1875	5.9045	2.3130	5 11/32	4.38	4.91	3.975	0.125	27/32	1 23/32	13.50										
	3 7/16	B455L	3.4375																				

Continued...



Continued...

Bearing Dimensions

Size Code	Shaft Diameter	Part Number	A Bore Diameter	B Outside Diameter	C Bearing Width	E	H	M	N	R	T	Y	Approx. Weight
B456	3 1/2	B456L	3.5000	5.9045	2.3130	5 11/32	4.38	4.91	3.975	0.125	27/32	1 23/32	13.50
	80.00	B4M80L	80.0000	149.9740	58.7500	135.70	111.12	124.60	100.970	3.180	21.40	43.66	6.10
	85.00	B4M85L	85.0000			161.90	128.59	142.90	115.850	3.180	24.60	50.80	10.80
B464	3 11/16	B459L	3.6875	7.0856	2.7500	6 3/8	5.06	5.63	4.561	0.125	31/32	2	24.00
	3 15/16	B463L	3.9375										
	4	B464L	4.0000										
	90.00	B4M90L	90.0000	179.9740	69.8500	161.90	128.59	142.90	115.850	3.180	24.60	50.80	10.80
	100.00	B4M100L	100.0000										

Additional Notes

- Please call 1-866-REXNORD for availability
- Bearing O.D. tolerance, +.001 in/-.000 in (+0.025 mm/-0.000 mm)
- Bore tolerance, +.0010 in/-.0000 in (+0.025 mm/-0.000 mm)
- Bearing width tolerance, +/- .025 in (+/-0.64 mm)
- Housing must allow clearance for this adjustment on dimension "C"

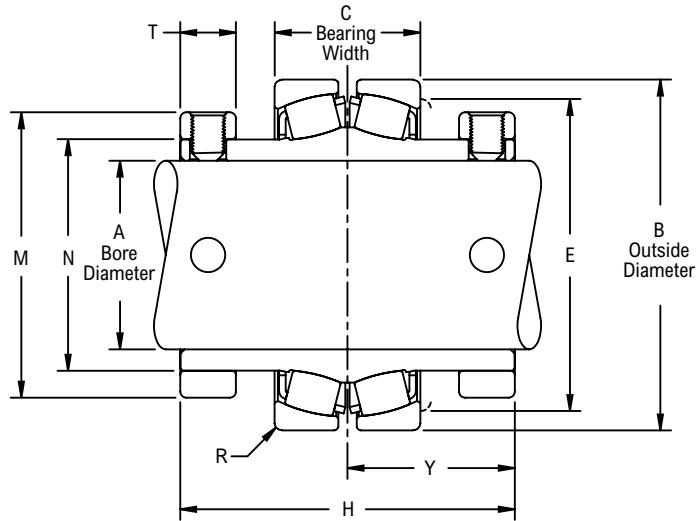
For the Selection Guide, Load Ratings and Speed Limits, see the Link-Belt Spherical Roller Bearings Engineering section on pages 155 - 160.
 Note: Dimensions subject to change. Certified dimensions of ordered material furnished on request.



Photo Shows an Unmounted Spherical Roller Bearing Unit

Product Features

- Two hardened spring locking collars
- Self aligning
- See Features and Benefits for additional info on pages 152 - 153.



Bearing Dimensions

Size Code	Shaft Diameter	Part Number	A Bore Diameter	B Outside Diameter	C Bearing Width	E	H	M	N	R	T	Y	Approx. Weight
B524	1 7/16	B523L	1.4375	2.8345	1.3100	2 1/2	3.56	2.31	1.745	0.062	5/8	1 25/32	2.40
B528	1 11/16	B527L	1.6875	3.3464	1.5780	2 7/8	3.81	2.59	2.027	0.062	5/8	1 29/32	3.50
B531	1 15/16	B531L	1.9375	3.5433	1.5260	3 3/16	3.81	2.88	2.307	0.078	5/8	1 29/32	3.80
B536	2	B532L	2.0000	3.9370	1.6560	3 1/2	4.13	3.25	2.620	0.062	3/4	2 1/16	6.00
	2 3/16	B535L	2.1875										
B540	2 7/16	B539L	2.4375	4.3307	1.7500	3 7/8	4.38	3.56	2.901	0.078	13/16	2 3/16	7.20
B548	2 11/16	B543L	2.6875	5.1172	2.1250	4 17/32	4.88	4.06	3.370	0.078	13/16	2 7/16	11.10
	2 15/16	B547L	2.9375										
B556	3 7/16	B555L	3.4375	5.9045	2.3130	5 11/32	5.31	4.91	3.975	0.125	27/32	2 21/32	15.70
B564	3 15/16	B563L	3.9375	7.0856	2.7500	6 3/8	6.13	5.63	4.561	0.125	31/32	3 1/16	26.70
	4	B564L	4.0000										
B572	4 3/16	B567YL	4.1875	7.6815	2.679	6.875	6.25	6.19	5.032	0.145	1	3 1/8	37.00
	4 7/16	B571YL	4.4375										
	4 1/2	B572YL	4.5000										
	110.00	B5M110YL	110.0000										
	115.00	B5M115YL	115.0000	195.1101	68.0491	175	158.75	157.23	127.813	3.683	25.40	79.38	16.70
B580	4 15/16	B579YL	4.9375	9.0574	3.5562	8.125	7.88	7.04	5.750	0.145	1 1/16	3 15/16	41.20
	5	B580YL	5.0000										
	125.00	B5M125YL	125.0000										

Additional Notes

- Please call 1-866-REXNORD for availability
- Bearing O.D. tolerance, +.001 in/-.000 in (+0.025 mm/-0.000 mm)
- Bore tolerance, +.0010 in/-.0000 in (+0.025 mm/-0.000 mm)
- Bearing width tolerance, +/- .025 in (+/- 0.64 mm)
- Housing must allow clearance for this adjustment on dimension "C"

For the Selection Guide, Load Ratings and Speed Limits, see the Link-Belt Spherical Roller Bearings Engineering section on pages 155 - 160.
 Note: Dimensions subject to change. Certified dimensions of ordered material furnished on request.

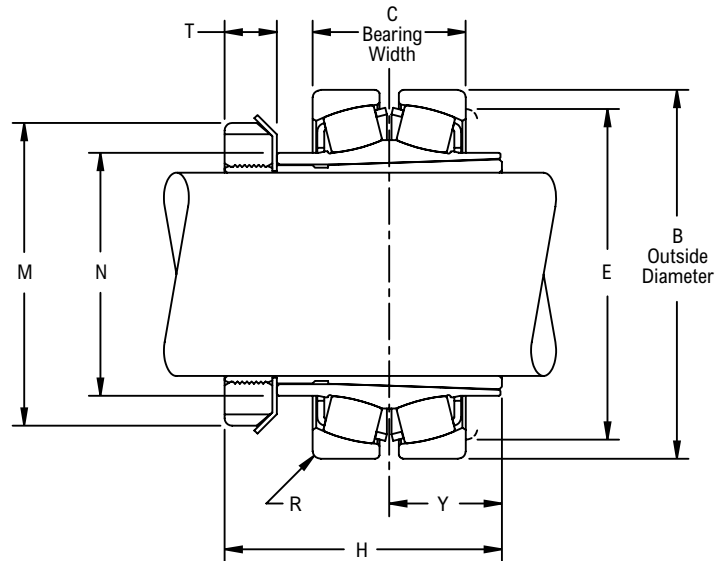
B600L



Photo Shows an Unmounted Spherical Roller Bearing Unit

Product Features

- Enhanced life mounting style
- Self aligning
- See Features and Benefits for additional info on pages 152 - 153.



Bearing Dimensions

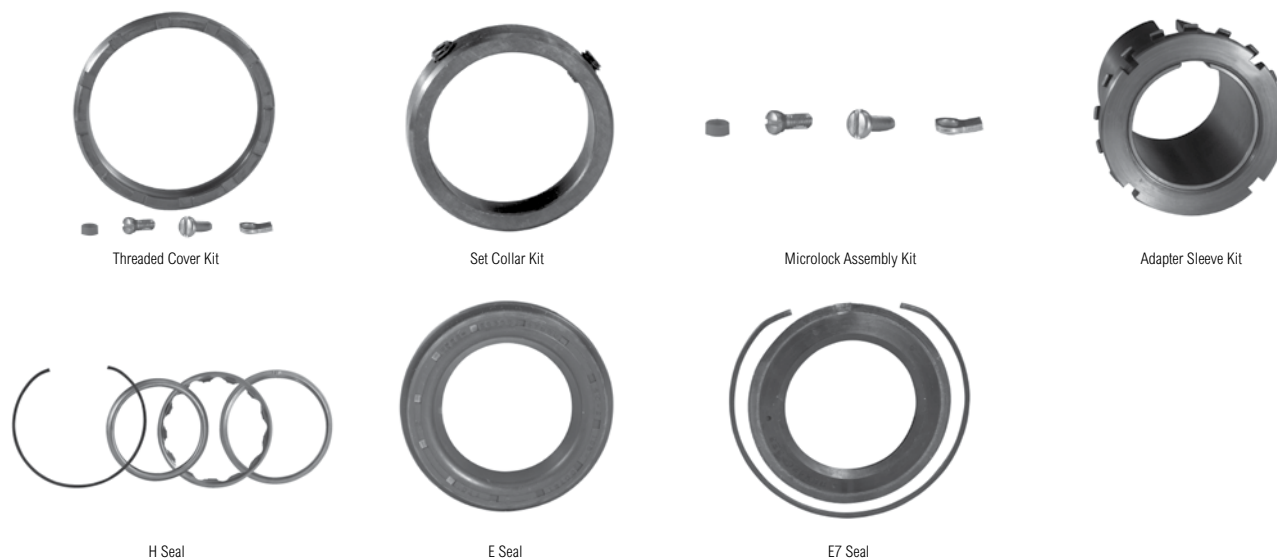
Size Code	Shaft Diameter	Part Number	B Outside Diameter	C Bearing Width	E	H	M	N	R	T	Y	Approx. Weight
B624	1 7/16	B623L	2.8345	1.3100	2 1/2	2.71	2 1/4	1.745	0.062	1/2	1 3/32	2.10
B631	1 15/16	B631L	3.5433	1.5260	3 3/16	3.08	2 31/32	2.307	0.078	9/16	1 7/32	3.30
B635	2 3/16	B635L	3.9370	1.6560	3 1/2	3.16	3 5/32	2.620	0.062	19/32	1 1/4	4.50
B639	2 7/16	B639L	4.3307	1.7500	3 7/8	3.36	3 5/8	2.901	0.078	5/8	1 5/16	5.90
B647	2 11/16	B643L	5.1172	2.1250	4 17/32	3.86	4 5/32	3.370	0.078	43/64	1 9/16	9.50
	2 15/16	B647L										
B655	3 7/16	B655L	5.9045	2.3130	5 11/32	4.31	4 15/16	3.975	0.125	51/64	1 23/32	12.80
B663	3 15/16	B663L	7.0856	2.7500	6 3/8	4.94	5 7/16	4.561	0.125	55/64	2	23.20

Additional Notes

- Please call 1-866-REXNORD for availability
- Dimension for "H" based on unmounted condition
- Bearing O.D. tolerance, +.001 in/- .000 in (**+0.025 mm/-0.000 mm**)
- Bore tolerance, +.0010 in/- .0000 in (**+0.025 mm/-0.000 mm**)
- Bearing width tolerance, +/- .025 in (**+/-0.64 mm**)
- Housing must allow clearance for this adjustment on dimension "C"

For the Selection Guide, Load Ratings and Speed Limits, see the Link-Belt Spherical Roller Bearings Engineering section on pages 155 - 160.

Note: Dimensions subject to change. Certified dimensions of ordered material furnished on request.

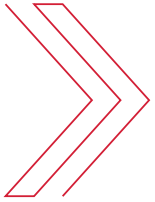


Bearing Dimensions

Size Code	H	E	E7	Threaded Cover Kit	Set Collar Kit	Microlock Assembly Kit	Adapter Assembly Kit
B416	B417HS	B417ES	-	B417TC	B417SC	B436MLK*	-
B420	B420HS	B420ES	B420E7S	B420TC	B420SC	B436MLK*	-
B424 B524 B624	B424HS	B424ES	B424E7S	B424TC	B424SC	B436MLK*	SNW623
B428 B528	B428HS	B428ES	B428E7S	B428TC	B428SC	B436MLK*	-
B432 B531 B631	B432HS	B432ES	B432E7S	B432TC	B432SC	B436MLK*	SNW631
B436 B536 B635	B436HS	B436ES	B436E7S	B436TC	B436SC	B436MLK*	SNW635
B440 B540 B639	B440HS	B440ES	B440E7S	B440TC	B440SC	B448MLK▶	SNW639
B448 B548 B647	B448HS	B448ES	B448E7S	B448TC	B448SC	B448MLK▶	SNW647
B456 B556 B655	B456HS	B456ES	B456E7S	B456TC	B456SC	B580MLK◇	SNW655
B464 B564 B663	B464HS	B464ES	B464E7S	B464TC	B464SC	B580MLK◇	SNW663
B572	B572YHS	B572YES	B572YE7S	B572YTC	B572Y5S	B580YMLK◇	-
B580	B580YHS	B580YES	B580YE7S	B580YTC	B580Y5S	B580YMLK◇	-

Additional Notes

- * CB cartridge blocks in these size codes require B436MLK1 Microlock Kit
- ▶ CB cartridge blocks in these size codes require B456MLK Microlock Kit
- ◇ CB cartridge blocks in these size codes require B572MLK Microlock Kit



SPHERICAL ROLLER BEARINGS

Units: Rexnord PT Select Series

CONTENTS

PAGE

Features and Benefits	210
Nomenclature	211
Engineering	212
Dimensions	
Pillow Blocks	216
Flange Blocks	220

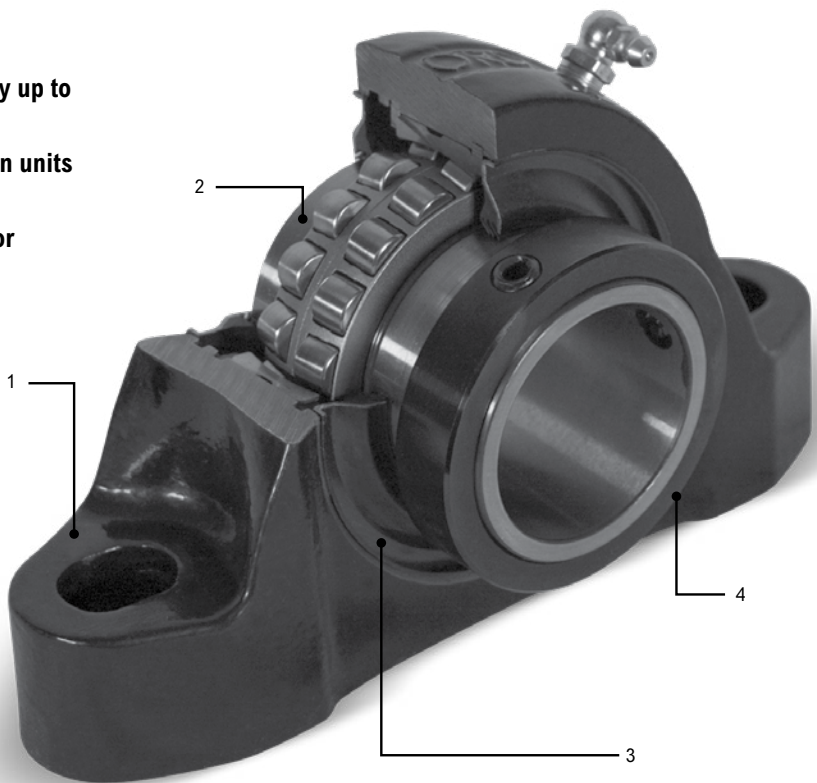
INDUSTRIES SERVED

- Aggregates
- Air & Fluid Handling
- Cement
- Construction
- Material Handling
- Package Handling



Rexnord PT Select Series Spherical Roller Bearings

1. Rugged cast iron housing
2. Total misalignment capability up to 2 degrees
3. Expansion and non-expansion units available
4. 90-degree mounting collar for superior holding strength

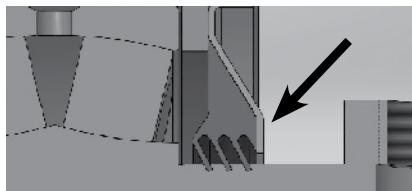


Additional Features and Benefits

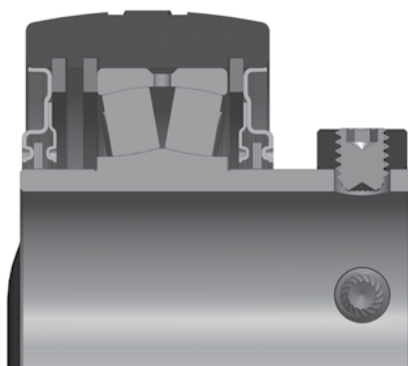
- State-of-the-art design allows increased strength while optimizing material
- Industry-standard dimensions for interchangeability with leading brands
- Standard, off-the-shelf sizes for quick turnarounds needs
- Rugged metal retainer for increased strength and durability
- Shaft ready and pre-lubricated with our standard grease for normal operation

Seal Types

Type T Triple Lip Seal



Three points of contact (shown above) provide superior ingress protection against contaminants.



Type C Clearance Seal

Engineered bearing seals for increased product life

Designed for efficiency while maintaining the overall product strength, the bearing delivers the seal performance your environment requires.

- Standard triple lip and clearance seal provides maximum ingress protection against contaminants which are a leading cause of bearing failure (optional labyrinth seal available)
- Clearance seal reduces operating temperatures at higher speeds
- Features nitrile material with protective metal shield

Also Available with These Housings



2-bolt Pillow Block



4-bolt Pillow Block



2-bolt Pillow Block — Type E



4-bolt Pillow Block — Type E



Flange Block



Flange Block — Type E



Piloted Flange

Nomenclature

Symbol	Description				
EFB	Type E Flanged Unit; 4-bolt square				
EP2B	Type E 2-Bolt Pillow Block				
EP4B	Type E 4-Bolt Pillow Block				
FB	Flanged Unit; 4-bolt square				
FC	Flanged Cartridge Unit; 4-bolt round				
P2B	2-Bolt Pillow Block				
P4B	4-Bolt Pillow Block				
107	1-7/16"				
111	1-11/16"				
115	1-15/16"				
203	2-3/16"				
207	2-7/16"				
208	2-1/2"				
211	2-11/16"				
215	2-15/16"				
307	3-7/16"				
308	3-1/2"				
315	3-15/16"				
407	4-7/16"				
T	Triple Lip Seal				
C	Clearance Seal				
Blank	Fixed				
E	Expansion				

P2B - 107 - C E

Rexnord PT Select Series Spherical Roller Bearing Selection Guide

To select a bearing, determine the applied radial load, the applied thrust load, the desired Rating Life, and applicable operating conditions. The procedure shown here will aid in selecting a bearing to meet an L₁₀ design life. The formulas for calculating life expectancy should be used to determine the Rating Life L₁₀ for the bearing selected.

The selection procedures and rating formulas shown here are in agreement with the American Bearing Manufacturers Association (ABMA) standards and ANSI/

ABMA Standards STD 11-1990. Ratings are based on fatigue life. The Rating Life L₁₀ or fatigue life at 90% reliability is the usual basis for bearing selection. For radial load applications only, Table 3, can be used to select a bearing or to determine L₁₀ life expectancy.

To assure a satisfactory bearing application, fitting practice, mounting, lubrication, sealing, static rating, housing strength, operating conditions and maintenance must be considered.

Steps for Selection

Step 1

Determine an appropriate L₁₀ design life.

Type of service	Operating time, hours per year	Design life, years	L ₁₀ design life, hours
Light seasonal usage	500 to 750	3-5	3,000
Heavy seasonal usage	1,400 to 1,600	4-6	8,000
Industrial—8 hour shift	2,000	10	20,000
Industrial—16 hour shift	4,000	10	40,000
Industrial—continuous	8,700	10	80,000 to 100,000

Step 2

Determine a required $\left(\frac{C}{P}\right)$ from Table 1.

Step 3

Calculate the required C and select a roller bearing.

a For radial load only:

$$P = F_r$$

$$\text{required } C = \left(\frac{C}{P}\right) P \text{ using } \left(\frac{C}{P}\right) \text{ from Step 2}$$

Select a roller bearing from Table 2 with a basic load rating C equal to or greater than the required C.

Step 3 (continued)

b For combined radial and thrust loads:

Select a trial roller bearing of the desired shaft size from Table 2.

Calculate the ratio of thrust load F_a to the radial load F_r .

$$\frac{F_a}{F_r}$$

Calculate the equivalent radial load P

$$P = X F_r + Y F_a$$

If $\frac{F_a}{F_r}$ is equal to or less than e, then $P = X_1 F_r + Y_1 F_a$

If $\frac{F_a}{F_r}$ is greater than e, then $P = X_2 F_r + Y_2 F_a$

For values of e, X₁, Y₁, X₂, and Y₂, see Table 2.

Calculate the required C

$$\text{required } C = \left(\frac{C}{P}\right) P \text{ using } \left(\frac{C}{P}\right) \text{ from Step 2.}$$

Consult Table 2, basic load rating. If a smaller bearing meets, or nearly meets, the required C, its life expectancy can be calculated.

Note: If the load P is greater than .25C, consult Rexnord Bearing Division.

Selection

Symbols for formulas:

C = basic load rating, pounds (or newtons)	n = speed, revolutions per minute
Co = static load rating, pounds (or newtons)	P = equivalent radial load, pounds (or newtons)
e = a reference value	X = radial factor
Fa = thrust load, pounds (or newtons)	Y = thrust factor
Fr = radial load, pounds (or newtons)	
L10 = rating life, hours	

Table 1 • Relation of L₁₀ life and speed to $\left(\frac{C}{P}\right)$

Bearing Life Hours L ₁₀	Speed, n									
	50	100	200	300	400	500	600	700	800	
3000	1.93	2.38	2.93	3.31	3.61	3.86	4.07	4.27	4.44	
4000	2.11	2.59	3.19	3.61	3.93	4.20	4.44	4.65	4.84	
5000	2.25	2.77	3.42	3.86	4.20	4.50	4.75	4.97	5.18	
6000	2.38	2.93	3.61	4.07	4.44	4.75	5.02	5.25	5.47	
8000	2.59	3.19	3.93	4.44	4.84	5.18	5.47	5.73	5.96	
10000	2.77	3.42	4.20	4.75	5.18	5.54	5.85	6.12	6.37	
12000	2.93	3.61	4.44	5.02	5.47	5.85	6.18	6.47	6.73	
14000	3.07	3.78	4.65	5.25	5.73	6.12	6.47	6.77	7.05	
16000	3.19	3.93	4.84	5.47	5.96	6.37	6.73	7.05	7.34	
18000	3.31	4.07	5.02	5.66	6.18	6.60	6.97	7.30	7.60	
20000	3.42	4.20	5.18	5.85	6.37	6.81	7.20	7.54	7.85	
25000	3.65	4.50	5.54	6.25	6.81	7.29	7.70	8.06	8.39	
30000	3.86	4.75	5.85	6.60	7.20	7.70	8.13	8.51	8.86	
35000	4.04	4.97	6.12	6.92	7.54	8.06	8.51	8.92	9.28	
40000	4.20	5.18	6.37	7.20	7.85	8.39	8.86	9.28	9.66	
45000	4.36	5.36	6.60	7.46	8.13	8.69	9.18	9.61	10.00	
50000	4.50	5.54	6.81	7.70	8.39	8.97	9.48	9.92	10.30	
60000	4.75	5.85	7.20	8.13	8.86	9.48	10.00	10.50	10.90	
70000	4.97	6.12	7.54	8.51	9.28	9.92	10.50	11.00	11.40	
80000	5.18	6.37	7.85	8.86	9.66	10.30	10.90	11.40	11.90	
90000	5.36	6.60	8.13	9.18	10.00	10.70	11.30	11.80	12.30	
100000	5.54	6.81	8.39	9.48	10.30	11.00	11.70	12.20	12.70	
150000	6.25	7.70	9.48	10.70	11.70	12.50	13.20	13.80	14.40	
200000	6.81	8.39	10.30	11.70	12.70	13.60	14.40	15.00	15.70	

	Speed, n									
	900	1000	1200	1500	1800	2400	3000	3600	6000	
3000	4.60	4.75	5.02	5.36	5.66	6.18	6.60	6.97	8.13	
4000	5.02	5.18	5.47	5.85	6.18	6.73	7.20	7.60	8.86	
5000	5.36	5.54	5.85	6.25	6.60	7.20	7.70	8.13	9.48	
6000	5.66	5.85	6.18	6.60	6.97	7.60	8.13	8.59	10.00	
8000	6.18	6.37	6.73	7.20	7.60	8.29	8.86	9.36	10.90	
10000	6.60	6.81	7.20	7.70	8.13	8.86	9.48	10.00	11.70	
12000	6.97	7.20	7.60	8.13	8.59	9.36	10.00	10.60	12.30	
14000	7.30	7.54	7.96	8.51	8.99	9.80	10.50	11.10	12.90	
16000	7.60	7.85	8.29	8.86	9.36	10.20	10.90	11.50	13.40	
18000	7.88	8.13	8.59	9.18	9.70	10.60	11.30	11.90	13.90	
20000	8.13	8.39	8.86	9.48	10.00	10.90	11.70	12.30	14.40	
25000	8.69	8.97	9.48	10.10	10.70	11.70	12.50	13.20	15.40	
30000	9.18	9.48	10.00	10.70	11.30	12.30	13.20	13.90	16.20	
35000	9.61	9.92	10.50	11.20	11.80	12.90	13.80	14.60	17.00	
40000	10.00	10.30	10.90	11.70	12.30	13.40	14.40	15.20	17.70	
45000	10.40	10.70	11.30	12.10	12.80	13.90	14.90	15.70	18.30	
50000	10.70	11.00	11.70	12.50	13.20	14.40	15.40	16.20	18.90	
60000	11.30	11.70	12.30	13.20	13.90	15.20	16.20	17.10	20.00	
70000	11.80	12.20	12.90	13.80	14.60	15.90	17.00	17.90	20.90	
80000	12.30	12.70	13.40	14.40	15.20	16.50	17.70	18.70	21.80	
90000	12.80	13.20	13.90	14.90	15.70	17.10	18.30	19.40	22.60	
100000	13.20	13.60	14.40	15.40	16.20	17.70	18.90	20.00	23.30	
150000	14.90	15.40	16.20	17.30	18.30	20.00	21.40	22.60	26.30	
200000	16.20	16.70	17.70	18.90	20.00	21.80	23.30	24.60	28.70	

Basic Formula

$$\left(\frac{C}{P}\right) = \left(\frac{L_{10} \times n \times 60}{1,000,000}\right)^{3/10}$$

$$L_{10} = \frac{\left(\frac{C}{P}\right)^{10/3} \times 1,000,000}{n \times 60}$$

Life Expectancy

To calculate the Rating Life L₁₀ of any selected or trial bearing:

Step 1

Determine the equivalent radial load P.

a For radial load only:

$$P = F_r$$

b For combined radial and thrust load:

$$P = X F_r + Y F_a$$

if $\frac{F_a}{F_r}$ is equal to or less than e, then

$$P = X_1 F_r + Y_1 F_a$$

if $\frac{F_a}{F_r}$ is greater than e, then

$$P = X_2 F_r + Y_2 F_a$$

For values of e, X₁, Y₁, X₂, and Y₂, consult the appropriate bearing rating Table 2.

Step 2

Calculate the ratio of the basic load rating C to the equivalent radial load.

$$\left(\frac{C}{P}\right)$$

Step 3

Approximate the bearing life from Table 1.

Life Adjustment

The Rating Life, L₁₀, may be modified for some applications in accordance with the formula

$$L_n = a_1 a_2 a_3 L_{10}$$

where L_n = Adjusted life for (100-n) % reliability,

a₁ = Life adjustment factor for reliability

a₂ = Life adjustment factor

for material and processing

a₃ = Life adjustment factor for operating conditions.

For most normal applications, all factors will be taken as 1, and the Rating Life used as the selection basis or life estimate. In addition, as long as standard catalog bearings are used, a₂ will be normally set equal to one.

The factor a₃ covers such things as lubrication, misalignment, and temperature. Some conditions that could yield a₃ significantly different than unity include speeds less than 20000 DN or greater than 200000 DN, temperatures below -40°F (-40°C) or above 275°F (135°C). For other possible conditions, as well as additional information on life adjustment factors, consult Rexnord Bearing Division.

Table 2 • Load Ratings and Speed Limits

Size Code	C Dynamic Load Rating		Co Static Load Rating		Approximate speed limit RPM*		e	Fa/Fr ≤ e		Fa/Fr > e	
	pounds	newtons	pounds	newtons	Clearance Seal	Triple Lip Seal		X1	Y1	X2	Y2
4	20,000	88,964	21,360	95,014	4,040	3,490	0.27	1.00	2.49	0.67	3.71
5	20,500	91,189	23,240	103,377	3,820	3,300	0.27	1.00	2.51	0.67	3.74
6	21,000	93,413	24,710	109,916	3,540	3,060	0.25	1.00	2.69	0.67	4.00
7	26,200	116,543	30,590	136,071	3,150	2,720	0.22	1.00	3.05	0.67	4.54
8	38,400	170,812	43,870	195,143	2,670	2,310	0.26	1.00	2.62	0.67	3.90
9	41,000	182,377	48,420	215,383	2,420	2,090	0.23	1.00	2.89	0.67	4.30
10	64,000	284,686	77,880	346,428	1,980	1,710	0.24	1.00	2.76	0.67	4.11
11	80,000	355,858	98,600	438,595	1,760	1,520	0.25	1.00	2.72	0.67	4.05
12	99,200	441,264	129,440	575,778	1,600	1,380	0.26	1.00	2.61	0.67	3.88

If the load P is greater than 25% of C, consult Rexnord Bearing Division.

For setscrew mounted bearings, reduce C Dynamic Load rating by 15%.

For vertical shaft application, consult Rexnord Bearing Division.

*Based on grease lubrication and moderate load.

Table 3 • Radial Load Ratings in Pounds at Various RPM for Appropriate L₁₀ Life Hours

Size Code		50	100	200	300	400	500	600	700	800	900	1000	1200	1500	1800	2000	2500	3000	3500
4	8000	*	*	*	4503	4131	3863	3658	3492	3355	3239	3138	2971	2779	2631	2549	2384	2257	2155
	20000	*	4756	3863	3421	3138	2935	2779	2653	2549	2460	2384	2257	2111	1998	1936	1811	1715	1637
	40000	4756	3863	3138	2779	2549	2384	2257	2155	2070	1998	1936	1833	1715	1623	1573	1471	1393	1330
	100000	3613	2935	2384	2111	1936	1811	1715	1637	1573	1518	1471	1393	1302	1233	1195	1117	1058	1010
5	8000	*	*	*	4616	4234	3960	3749	3580	3439	3320	3216	3045	2848	2696	2613	2443	2313	
	20000	*	4875	3960	3506	3216	3008	2848	2719	2613	2522	2443	2313	2164	2048	1985	1856	1757	
	40000	4875	3960	3216	2848	2613	2443	2313	2209	2122	2048	1985	1879	1757	1664	1612	1508	1427	
	100000	3704	3008	2443	2164	1985	1856	1757	1678	1612	1556	1508	1427	1335	1264	1225	1145	1084	
6	8000	*	*	*	4728	4337	4057	3841	3667	3523	3401	3295	3120	2918	2762	2676	2503	2370	
	20000	*	4994	4057	3592	3295	3082	2918	2786	2676	2583	2503	2370	2216	2098	2033	1901	1800	
	40000	4994	4057	3295	2918	2676	2503	2370	2263	2174	2098	2033	1925	1800	1704	1651	1544	1462	
	100000	3794	3082	2503	2216	2033	1901	1800	1719	1651	1594	1544	1462	1368	1295	1254	1173	1111	
7	8000	*	*	*	5899	5411	5061	4792	4575	4395	4243	4111	3892	3640	3446	3339	3123		
	20000	*	6231	5061	4481	4111	3845	3640	3476	3339	3223	3123	2957	2765	2618	2537	2372		
	40000	6231	5061	4111	3640	3339	3123	2957	2823	2712	2618	2537	2402	2246	2126	2060	1927		
	100000	4733	3845	3123	2765	2537	2372	2246	2145	2060	1989	1927	1824	1706	1615	1565	1464		
8	8000	*	*	*	8646	7931	7418	7023	6705	6442	6219	6025	5704	5335	5051	4894			
	20000	*	9132	7418	6568	6025	5635	5335	5094	4894	4724	4577	4333	4053	3837	3718			
	40000	9132	7418	6025	5335	4894	4577	4333	4138	3975	3837	3718	3520	3292	3117	3020			
	100000	6937	5635	4577	4053	3718	3477	3292	3143	3020	2915	2824	2674	2501	2368	2294			
9	8000	*	*	*	9232	8468	7920	7498	7159	6878	6640	6433	6091	5696	5393	5225			
	20000	*	9751	7920	7013	6433	6016	5696	5439	5225	5044	4887	4627	4327	4097	3969			
	40000	9751	7920	6433	5696	5225	4887	4627	4418	4244	4097	3969	3758	3515	3328	3224			
	100000	7407	6016	4887	4327	3969	3712	3515	3356	3224	3112	3015	2855	2670	2528	2449			
10	8000	*	*	*	14410	13219	12363	11705	11176	10737	10364	10042	9507	8892					
	20000	*	15220	12363	10947	10042	9391	8892	8490	8156	7873	7628	7222	6755					
	40000	15220	12363	10042	8892	8156	7628	7222	6896	6625	6395	6196	5866	5486					
	100000	11562	9391	7628	6755	6196	5795	5486	5238	5033	4858	4707	4456	4168					
11	8000	*	*	*	18013	16523	15453	14631	13970	13421	12955	12552	11884						
	20000	*	19025	15453	13684	12552	11739	11115	10612	10196	9842	9535	9028						
	40000	19025	15453	12552	11115	10196	9535	9028	8620	8281	7994	7745	7333						
	100000	14453	11739	9535	8443	7745	7244	6858	6548	6291	6073	5884	5570						
12	8000	*	*	*	22336	20489	19162	18142	17322	16642	16064	15565	14736						
	20000	*	23592	19162	16968	15565	14557	13782	13159	12642	12204	11824	11194						
	40000	23592	19162	15565	13782	12642	11824	11194	10689	10269	9912	9604	9093						
	100000	17922	14557	11824	10470	9604	8982	8504	8120	7801	7530	7296	6907						

If the load P is greater than 25% of the C, consult Rexnord Bearing Division.

For setscrew mounted bearings, reduce C Dynamic Load rating by 15%.

For vertical shaft application, consult Rexnord Bearing Division.

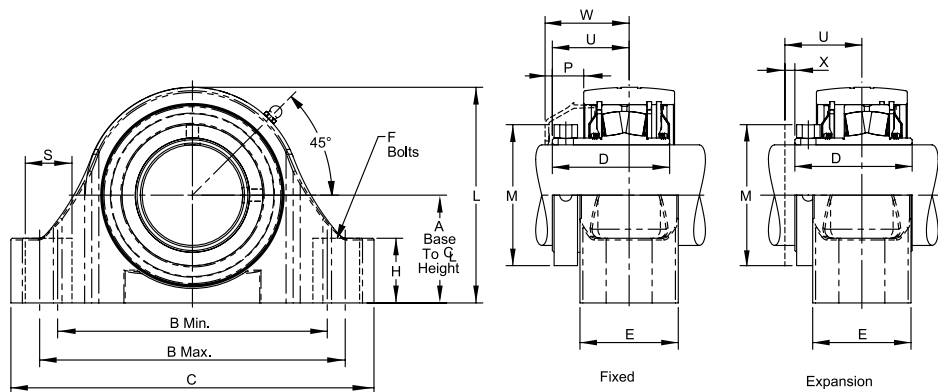
*Based on grease lubrication and moderate load.

P2B



Product Features

- Corrosion-resistant powder coating
- Cast iron housing
- Misalignment capabilities - total of 2°
- Triple lip seal standard; optional clearance seal
- Factory lubricated
- 90° grease fitting standard; straight fitting provided in box



Bearing Dimensions

Size Code	Shaft Diameter	Configuration		A Base to Centerline Height	B Distance Between Bolt Holes		C	D	E	F Bolts	H	L	M	P	S	U	W	X	Approx. Weight
		Fixed	Expansion		Min	Max													
		Part Number	Part Number																
4	1-7/16	P2B-107-T	P2B-107-TE	1.88	4.81	5.20	6.62	2.71	1.95	1/2	1.13	3.85	2.30	0.98	0.82	1.83	2.10	0.22	5.00
5	1-11/16	P2B-111-T	P2B-111-TE	2.13	5.31	5.70	7.12	2.76	2.06	1/2	1.25	4.27	2.58	0.91	0.82	1.84	2.11	0.23	6.20
6	1-15/16	P2B-115-T	P2B-115-TE	2.25	6.06	6.44	7.99	2.84	2.13	5/8	1.31	4.49	2.88	1.07	0.94	1.95	2.22	0.26	7.18
7	2-3/16	P2B-203-T	P2B-203-TE	2.50	6.56	6.94	8.49	2.99	2.63	5/8	1.50	5.00	3.25	0.95	0.94	2.06	2.33	0.26	10.11
8	2-7/16	P2B-207-T	P2B-207-TE	2.75	6.94	7.31	8.86	3.55	2.81	5/8	1.63	5.59	3.55	1.23	0.94	2.42	2.69	0.34	13.94
	2-1/2	P2B-208-T	P2B-208-TE																
9	2-11/16	P2B-211-T	P2B-211-TE	3.25	7.94	8.31	10.29	3.65	3.08	3/4	1.88	6.32	4.04	1.09	1.06	2.48	2.75	0.35	18.70
	2-15/16	P2B-215-T	P2B-215-TE																
10	3-7/16	P2B-307-T	P2B-307-TE	3.75	9.38	10.63	12.63	4.12	3.42	7/8	2.25	7.50	4.90	1.13	1.63	2.71	2.98	0.34	29.03
	3-1/2	P2B-308-T	P2B-308-TE																
11	3-15/16	P2B-315-T	P2B-315-TE	4.25	10.62	12.88	15.11	4.64	3.94	1	2.44	8.38	5.63	1.46	2.26	3.05	3.35	0.34	44.29

Additional Notes

Please call 1-866-REXNORD for availability

Lubrication fitting tap size, 1/8" PT

Bore size = nominal shaft size +.001 in/-.000 in (**+0.03 mm/-0.00 mm**)

Base to centerline tolerance, +/- .005"

For Selection Guide, Load Ratings and Speed Limits see Rexnord PT Select Series Engineering section on pages 212 - 215.

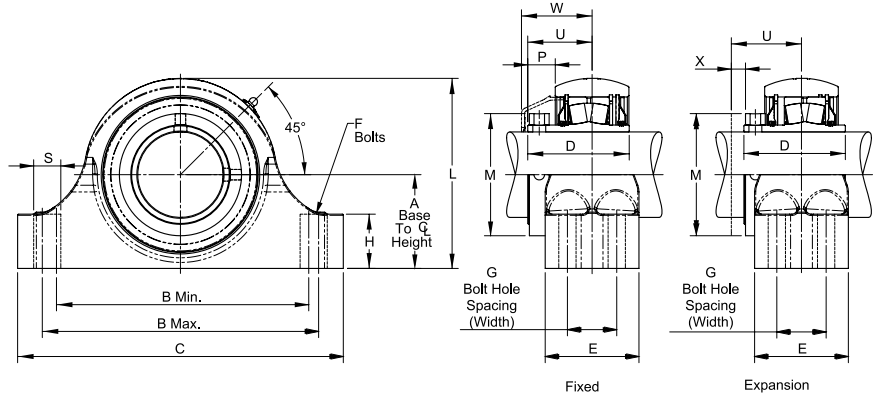
Note: Dimensions subject to change. Certified dimensions of ordered material furnished on request.

P4B



Product Features

- Corrosion-resistant powder coating
- Cast iron housing
- Misalignment capabilities - total of 2°
- Triple lip seal standard; optional clearance seal
- Factory lubricated
- 90° grease fitting standard; straight fitting provided in box



Bearing Dimensions

Size Code	Shaft Diameter	Fixed Part Number	Expansion Part Number	A Base to Centerline Height	B Distance Between Bolt Holes		C	D	E	F Bolts	G Bolt Hole Spacing (Width)	H	L	M	P	S	U	W	X	Approx. Weight
					Min	Max														
6	1-15/16	P4B-115-T	P4B-115-TE	2.25	6.06	6.44	7.70	2.84	3.00	1/2	1.59	1.31	4.50	2.88	1.05	0.81	1.95	2.22	0.26	8.61
7	2-3/16	P4B-203-T	P4B-203-TE	2.50	6.56	6.94	8.36	2.99	3.25	1/2	1.69	1.50	5.00	3.25	0.95	0.81	2.06	2.33	0.26	12.24
8	2-7/16	P4B-207-T	P4B-207-TE	2.75	6.94	7.31	8.74	3.55	3.38	1/2	1.75	1.63	5.59	3.55	1.12	0.81	2.42	2.69	0.34	15.25
	2-1/2	P4B-208-T	P4B-208-TE																	
9	2-11/16	P4B-211-T	P4B-211-TE	3.25	7.94	8.31	9.86	3.65	3.75	5/8	1.88	1.88	6.44	4.04	1.09	0.94	2.48	2.75	0.35	21.83
	2-15/16	P4B-215-T	P4B-215-TE																	
10	3-7/16	P4B-307-T	P4B-307-TE	3.75	9.38	10.62	12.40	4.12	4.50	3/4	2.00	2.25	7.56	4.90	1.13	1.50	2.71	2.98	0.34	35.70
	3-1/2	P4B-308-T	P4B-308-TE																	
11	3-15/16	P4B-315-T	P4B-315-TE	4.25	12.13	12.87	14.75	4.64	4.50	3/4	2.25	2.44	8.44	5.63	1.08	1.25	3.05	3.35	0.34	50.41
12	4-7/16	P4B-407-T	P4B-407-TE	4.75	13.00	14.00	16.50	5.14	4.75	3/4	2.50	2.75	9.63	6.19	1.39	1.38	3.26	3.56	0.34	67.83

Additional Notes

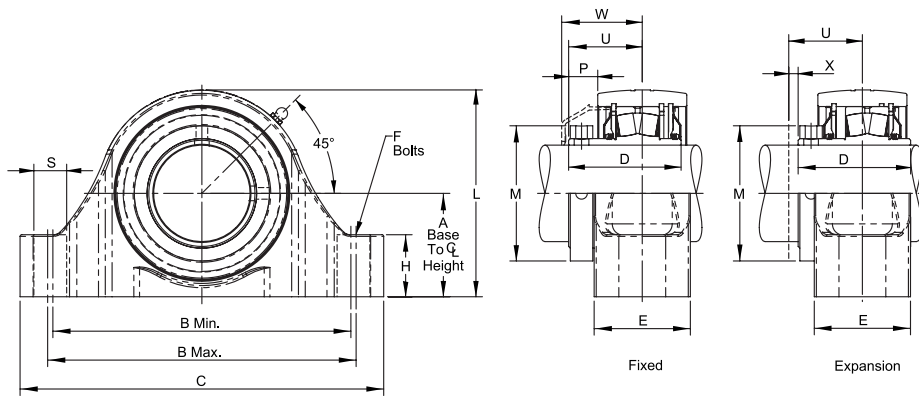
- Please call 1-866-REXNORD for availability
- Lubrication fitting tap size, 1/8" PT
- Bore size = nominal shaft size +.001 in/-.000 in (**+0.03 mm/-0.00 mm**)
- Base to centerline tolerance, +/- .005"
- For Selection Guide, Load Ratings and Speed Limits see Rexnord PT Select Series Engineering section on pages 212 - 215.
- Note: Dimensions subject to change. Certified dimensions of ordered material furnished on request.

EP2B



Product Features

- Type E Interchange
- Corrosion-resistant powder coating
- Cast iron housing
- Misalignment capabilities - total of 2°
- Triple lip seal standard; optional clearance seal
- Factory lubricated
- 90° grease fitting standard; straight fitting provided in box



Bearing Dimensions

Size Code	Shaft Diameter	Fixed Part Number	Expansion Part Number	A Base to Centerline Height	B Distance Between Bolt Holes		C	D	E	F Bolts	H	L	M	P	S	U	W	X	Approx. Weight
					Min	Max													
					4	1-7/16													
5	1-11/16	EP2B-111-T	EP2B-111-TE	2.13	6.13	6.38	7.80	2.76	2.06	1/2	1.25	4.25	2.58	0.91	0.75	1.84	2.11	0.23	6.37
6	1-15/16	EP2B-115-T	EP2B-115-TE	2.25	6.88	7.12	8.67	2.84	2.13	5/8	1.31	4.50	2.88	1.07	0.87	1.95	2.22	0.26	7.25
7	2-3/16	EP2B-203-T	EP2B-203-TE	2.50	7.64	7.88	9.61	2.99	2.56	5/8	1.50	4.99	3.25	0.99	0.88	2.06	2.33	0.26	10.29
8	2-7/16	EP2B-207-T	EP2B-207-TE	2.75	8.38	8.62	10.17	3.55	2.87	5/8	1.63	5.69	3.55	1.30	0.87	2.42	2.70	0.34	14.12
	2-1/2	EP2B-208-T	EP2B-208-TE																
9	2-11/16	EP2B-211-T	EP2B-211-TE	3.13	9.31	9.69	11.67	3.65	2.69	3/4	1.88	6.26	4.04	1.13	1.07	2.48	2.75	0.35	20.40
	2-15/16	EP2B-215-T	EP2B-215-TE																
10	3-7/16	EP2B-307-T	EP2B-307-TE	3.75	10.81	11.19	13.19	4.12	3.49	7/8	2.25	7.50	4.90	1.10	1.19	2.71	2.92	0.34	29.64

Additional Notes

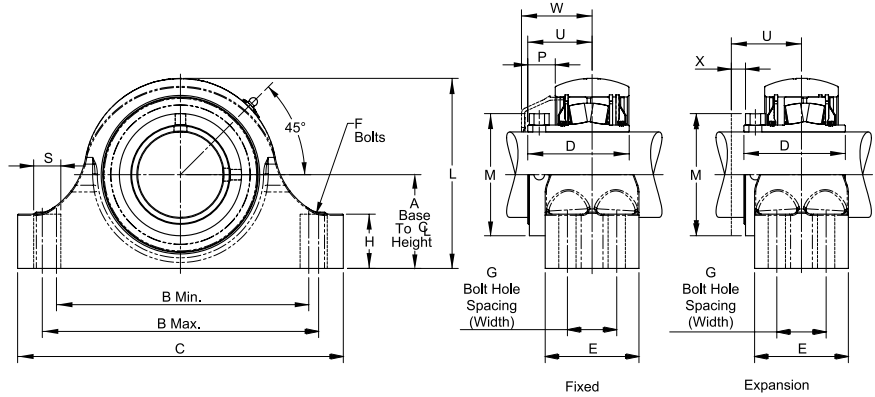
- Please call 1-866-REXNORD for availability
- Lubrication fitting tap size, 1/8" PT
- Bore size = nominal shaft size +.001 in/-.000 in (**+0.03 mm/-0.00 mm**)
- Base to centerline tolerance, +/- .005"
- For Selection Guide, Load Ratings and Speed Limits see Rexnord PT Select Series Engineering section on pages 212 - 215.
- Note: Dimensions subject to change. Certified dimensions of ordered material furnished on request.

EP4B



Product Features

- Type E Interchange
- Corrosion-resistant powder coating
- Cast iron housing
- Misalignment capabilities - total of 2°
- Triple lip seal standard; optional clearance seal
- Factory lubricated
- 90° grease fitting standard; straight fitting provided in box



Bearing Dimensions

Size Code	Shaft Diameter	Fixed	Expansion	A Base to Centerline Height	B Distance Between Bolt Holes		C	D	E	F Bolts	G Bolt Hole Spacing (Width)	H	L	M	P	S	U	W	X	Approx. Weight
		Part Number	Part Number		Min	Max														
11	3-15/16	EP4B-315-T	EP4B-315-TE	4.25	12.13	12.87	14.75	4.64	4.50	3/4	2.25	2.44	8.44	5.63	1.08	1.25	3.05	3.35	0.34	50.41

Additional Notes

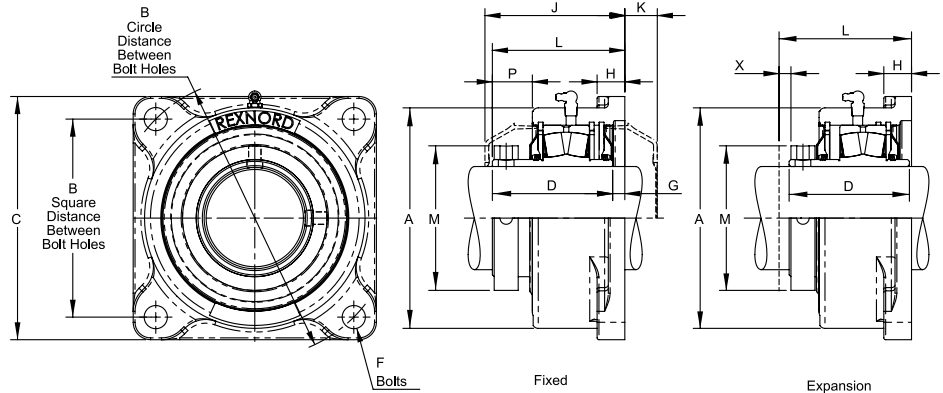
- Please call 1-866-REXNORD for availability
- Lubrication fitting tap size, 1/8" PT
- Bore size = nominal shaft size +.001 in/- .000 in (*+0.03 mm/-0.00 mm*)
- Base to centerline tolerance, +/- .005"
- For Selection Guide, Load Ratings and Speed Limits see Rexnord PT Select Series Engineering section on pages 212 - 215.
- Note: Dimensions subject to change. Certified dimensions of ordered material furnished on request.

FB



Product Features

- Corrosion-resistant powder coating
- Cast iron housing
- Misalignment capabilities - total of 2°
- Triple lip seal standard; optional clearance seal
- Factory lubricated
- 90° grease fitting standard; straight fitting provided in box



Bearing Dimensions

Size Code	Shaft Diameter	Mounting Type		A	B Distance Between Bolt Holes		C	D	F Bolts	G	H	J	K	L Mounting Surface to Collar Face	M	P	X	Approx. Weight
		Fixed	Expansion		Square	Circle												
		Part Number	Part Number															
4	1-7/16	FB-107-T	FB-107-TE	3.81	3.54	5.00	4.78	2.71	1/2	0.27	0.50	3.25	0.95	2.98	2.30	1.00	0.22	4.74
5	1-11/16	FB-111-T	FB-111-TE	4.00	3.89	5.50	5.13	2.76	1/2	0.25	0.53	3.28	0.93	3.01	2.58	1.00	0.22	5.66
6	1-15/16	FB-115-T	FB-115-TE	4.25	4.07	5.75	5.31	2.84	1/2	0.31	0.59	3.42	1.03	3.15	2.88	1.09	0.22	6.32
7	2-3/16	FB-203-T	FB-203-TE	4.60	4.51	6.38	5.89	2.99	5/8	0.28	0.56	3.55	1.12	3.27	3.25	1.15	0.26	7.64
8	2-7/16	FB-207-T	FB-207-TE	5.63	4.77	6.75	6.13	3.55	5/8	0.39	0.64	4.21	1.17	3.94	3.55	1.29	0.34	11.74
	2-1/2	FB-208-T	FB-208-TE															
9	2-11/16	FB-211-T	FB-211-TE	6.10	5.57	7.88	7.19	3.65	3/4	0.36	0.75	4.28	1.21	4.01	4.04	1.33	0.34	16.40
	2-15/16	FB-215-T	FB-215-TE															
10	3-7/16	FB-307-T	FB-307-TE	7.48	6.72	9.50	8.25	4.12	3/4	0.41	0.94	4.81	1.17	4.54	4.90	1.40	0.34	26.21
	3-1/2	FB-308-T	FB-308-TE															
11	3-15/16	FB-315-T	FB-315-TE	8.22	7.60	10.75	9.25	4.64	7/8	0.38	1.06	5.32	1.38	5.02	5.63	1.61	0.34	35.08

Additional Notes

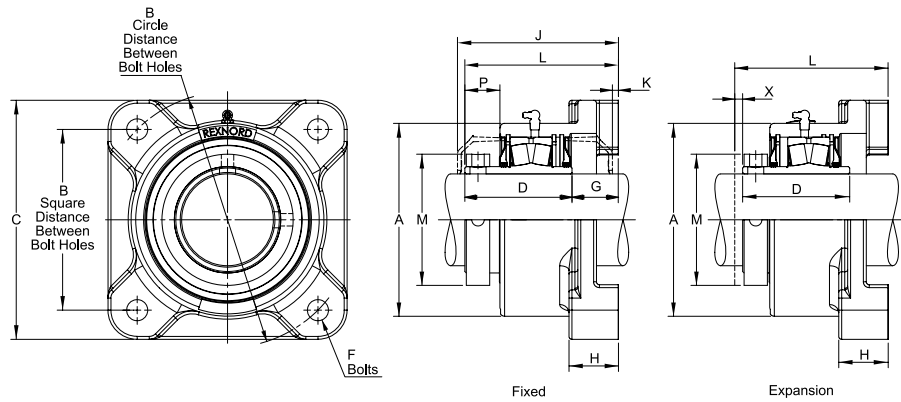
- Please call 1-866-REXNORD for availability
- Lubrication fitting tap size, 1/8" PT
- Bore size = nominal shaft size +.001 in/-.000 in (**+0.03 mm/-0.00 mm**)
- For Selection Guide, Load Ratings and Speed Limits see Rexnord PT Select Series Engineering section on pages 212 - 215.
- Note: Dimensions subject to change. Certified dimensions of ordered material furnished on request.

EFB



Product Features

- Type E Interchange
- Corrosion-resistant powder coating
- Cast iron housing
- Misalignment capabilities - total of 2°
- Triple lip seal standard; optional clearance seal
- Factory lubricated
- 90° grease fitting standard; straight fitting provided in box



Bearing Dimensions

Size Code	Shaft Diameter	Fixed Part Number	Expansion Part Number	A	B Distance Between Bolt Holes		C	D	F Bolts	G	H	J	K	L Mounting Surface to Collar Face	M	P	X	Approx. Weight
					Square	Circle												
4	1-7/16	EFB-107-T	EFB-107-TE	3.81	3.50	4.95	4.62	2.71	1/2	0.53	1.06	3.50	0.69	3.24	2.30	1.00	0.23	5.24
5	1-11/16	EFB-111-T	EFB-111-TE	4.00	4.12	5.83	5.37	2.76	1/2	0.72	1.19	3.75	0.46	3.48	2.58	1.00	0.22	6.83
6	1-15/16	EFB-115-T	EFB-115-TE	4.25	4.38	6.19	5.62	2.84	1/2	0.78	1.18	3.89	0.55	3.62	2.88	1.09	0.26	7.86
7	2-3/16	EFB-203-T	EFB-203-TE	4.60	4.87	6.89	6.25	2.99	5/8	0.93	1.38	4.20	0.46	3.93	3.25	1.15	0.26	9.75
8	2-7/16	EFB-207-T	EFB-207-TE	5.63	5.37	7.60	6.87	3.55	5/8	0.98	1.50	4.80	0.59	4.53	3.55	1.29	0.34	15.07
	2-1/2	EFB-208-T	EFB-208-TE															
9	2-11/16	EFB-211-T	EFB-211-TE	6.10	6.00	8.49	7.75	3.65	3/4	1.09	1.61	5.01	0.48	4.74	4.04	1.33	0.34	20.74
	2-15/16	EFB-215-T	EFB-215-TE															
10	3-7/16	EFB-307-T	EFB-307-TE	7.48	7.00	9.90	9.25	4.12	3/4	1.24	1.87	5.64	0.34	5.36	4.90	1.40	0.34	30.98
	3-1/2	EFB-308-T	EFB-308-TE															
11	3-15/16	EFB-315-T	EFB-315-TE	8.22	7.75	10.96	10.25	4.64	7/8	1.99	2.12	6.70	0.23	6.63	5.63	1.61	0.34	43.90

Additional Notes

- Please call 1-866-REXNORD for availability
- Lubrication fitting tap size, 1/8" PT
- Bore size = nominal shaft size +.001 in/-.000 in (**+0.03 mm/-0.00 mm**)
- For Selection Guide, Load Ratings and Speed Limits see Rexnord PT Select Series Engineering section on pages 212 - 215.
- Note: Dimensions subject to change. Certified dimensions of ordered material furnished on request.

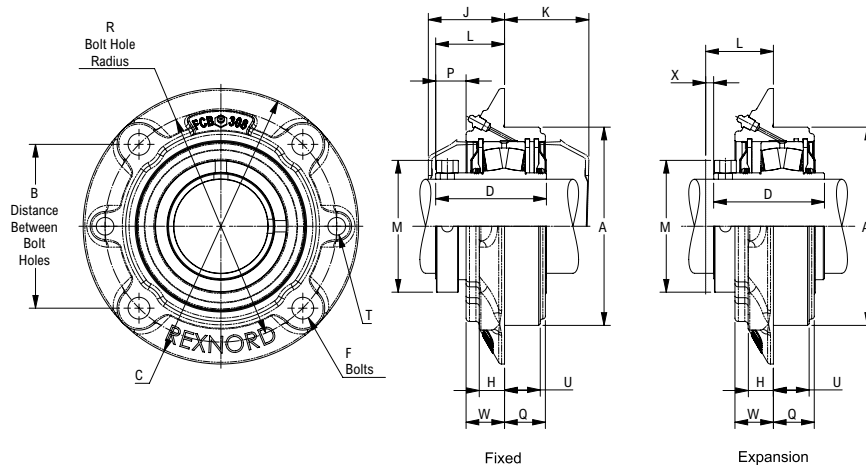
FC



Reminder: Size 12 Has 6 Mounting Bolts!

Product Features

- Type E Interchange
- Corrosion-resistant powder coating
- Cast iron housing
- Misalignment capabilities - total of 2°
- Triple lip seal standard; optional clearance seal
- Factory lubricated
- Straight grease fitting standard



Bearing Dimensions

Size Code	Shaft Diameter	Fixed	Expansion	A Pilot Diameter	B Distance Between Bolt Holes	C	D	F Bolts	H	J	K	L Mounting Surface to Collar Face	M	P	Q	R Bolt Circle Radius	T	U	W	X	Approx. Weight
		Part Number	Part Number																		
4-Bolt																					
4	1-7/16	FC-107-T	FC-107-TE	3.63	3.10	5.25	2.71	3/8	0.50	1.76	2.44	1.49	2.30	0.99	1.19	2.19	3/8-16	0.75	0.50	0.22	4.19
5	1-11/16	FC-111-T	FC-111-TE	4.25	3.62	6.13	2.76	7/16	0.50	1.79	2.43	1.52	2.58	0.91	1.25	2.56	7/16-14	0.88	0.61	0.23	6.15
6	1-15/16	FC-115-T	FC-115-TE	4.50	3.80	6.38	2.84	7/16	0.56	1.86	2.58	1.59	2.88	1.03	1.23	2.69	7/16-14	0.88	0.56	0.26	6.79
7	2-3/16	FC-203-T	FC-203-TE	5.00	4.24	7.13	2.99	1/2	0.56	1.88	2.78	1.61	3.25	0.95	1.42	3.00	1/2-13	1.00	0.66	0.26	9.16
8	2-7/16	FC-207-T	FC-207-TE	5.50	4.60	7.63	3.55	1/2	0.63	2.26	3.13	1.99	3.55	1.23	1.56	3.25	1/2-13	1.00	0.76	0.34	11.51
	2-1/2	FC-208-T	FC-208-TE																		
9	2-11/16	FC-211-T	FC-211-TE	6.38	5.30	8.75	3.65	5/8	0.75	2.36	3.13	2.09	4.04	1.09	1.63	3.75	5/8-11	1.25	1.00	0.34	17.69
	2-15/16	FC-215-T	FC-215-TE																		
10	3-7/16	FC-307-T	FC-307-TE	7.38	6.10	10.25	4.12	3/4	0.94	2.84	3.14	2.56	4.90	1.13	1.52	4.31	3/4-10	1.27	1.43	0.34	26.19
	3-1/2	FC-308-T	FC-308-TE																		
11	3-15/16	FC-315-T	FC-315-TE	8.13	6.63	10.88	4.64	3/4	1.13	3.19	3.51	2.89	5.63	1.46	1.75	4.69	3/4-10	1.47	1.43	0.34	33.50
6-Bolt																					
12	4-7/16	FC-407-T	FC-407-TE	10.25	5.88	13.58	5.14	3/4	1.00	3.58	3.54	3.28	6.19	1.39	1.85	5.88	3/4-10	1.45	1.89	0.34	57.64

Additional Notes

- Please call 1-866-REXNORD for availability
- Lubrication fitting tap size, 1/8" PT
- Bore size = nominal shaft size +.001 in/-.000 in (**+0.03 mm/-0.00 mm**)
- Pilot diameter tolerance, +.000 in/-.002 in (**+0.00 mm/-0.05 mm**)
- Bore tolerance for mounting, +.002 in/-.000 in (**+0.05 mm/-0.00 mm**)
- For Selection Guide, Load Ratings and Speed Limits see Rexnord PT Select Series Engineering section on pages 212 - 215.
- Note: Dimensions subject to change. Certified dimensions of ordered material furnished on request.



SPHERICAL ROLLER BEARINGS

Split Housings: Link-Belt

CONTENTS

PAGE

Features and Benefits	224
Nomenclature	226
Engineering	228
Dimensions	
Pillow Blocks	242
Take-up Assemblies	259
Replacement Parts	261

INDUSTRIES SERVED

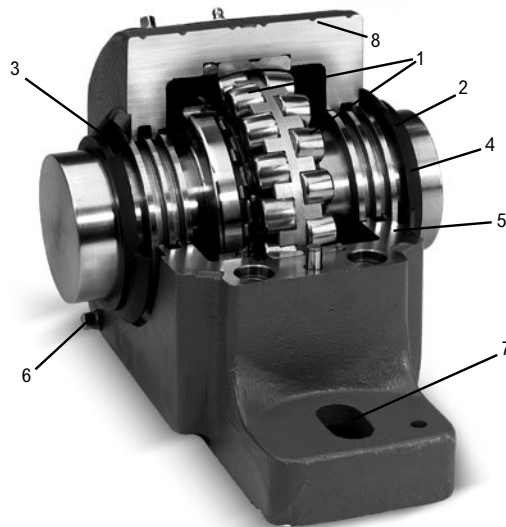
Mining
Forest Products
Aggregates
Steel
Air Handling
Construction
Package Handling
Wastewater Treatment



Series 6600, 6800, 6900, 7600, 7800, 7900, 22300, 22600 Spherical Roller Bearing

Self-aligning spherical roller bearing pillow blocks and take-ups provide high load carrying capacity for radial or combination radial and thrust loads.

They are designed for use on conveyors, dryers, road building equipment, runout tables, fans, crushers, hammermills and many other high-precision, heavy-duty applications.



1. Direct or Adapter Mounting

Spherical roller bearings may be direct or adapter mounted. Housings have provision for fixed or expansion mounting.

2. Choice of Seals

Type R multilabyrinth, D5 Pentac®, or Type D8 independently flushable seals — effectively retain lubricant and exclude contaminants.

3. Removable Housing Cap

Facilitates bearing mounting, inspection and maintenance.

4. Mating Surfaces are Machined

Caps and bases matched and marked.

5. Base and Cap are Dowelled for Accurate Assembly and Security

6. Oil or Grease Lubrication Ready

Large lubricant reservoir in base prolongs lubrication interval.

7. Slotted Bolt Holes

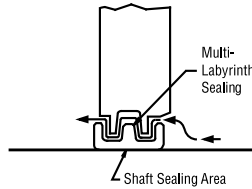
Slotted bolt holes in base facilitate mounting; machined finish on base for firm seating on supporting surface. Pry slots for easy cap removal.

8. Dimpled Flats for Bearing Monitor Probes

A Seal Choice for Every Environment

Metal Triple-Ring R Seal

This industry standard seal provides a labyrinth grease chamber between the housing grooves and the seal rings. Operates at high speed; good for moderate dust, dirt or moisture.

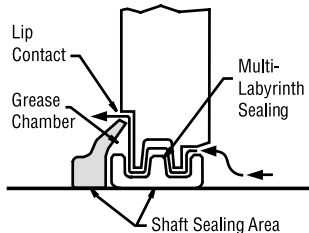
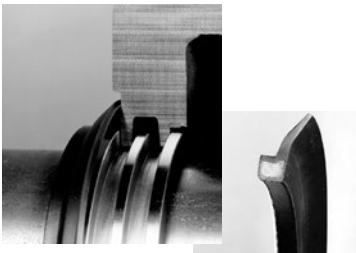


D5 Pentac 5-Point Sealing System

Rugged contact lip seal, molded on a Kevlar body, rotates with the shaft. The Pentac seal acts as a flinger, keeping debris away from the seal area, and provides five seal points.

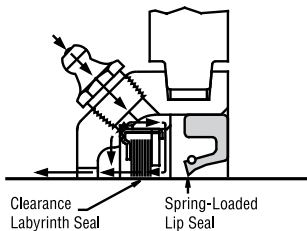
D5 Pentac 5-Point Sealing System

- 1 - Seals shaft
- 2 - Seals housing
- 3 - Creates a grease chamber to prevent bearing contamination
- 4 - Acts as a flinger
- 5 - Grease chambers created by multi-labyrinth chamber



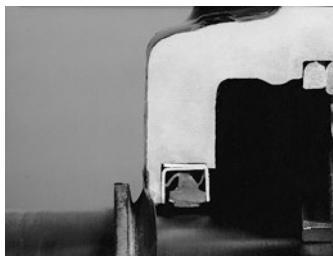
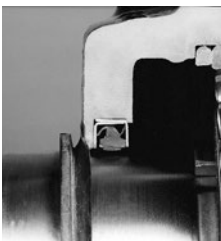
D8 Taconite Sealing System

A rugged cast carrier protects a metal labyrinth outboard seal and a spring-loaded inboard seal. When independently lubricated, the D8 system directs the grease between the two seals, purging all contaminants before they can reach the bearing chamber. Thousands are in use in the toughest applications worldwide.



Exclusive T Water Seal

Available on special order, this patented seal was developed for use on equipment which experiences constant water splash or frequent wash down. The unique T-shaped lip seal rides in a stainless steel carrier and rotates with the shaft. It seals the shaft and its one-way, double-contact lips allow for grease purge from the bearing chamber, but prevent the reverse flow of water or debris. The T seal is the standard in the environmental equipment industry. This bearing offers Pillow Blocks with special features for severe wash down environments. Black Rilsan Nylon 11 coated housings, stainless steel hardware and end caps or solid closed end housings, and the patented T contact water seal are the standard features of the BP-LB6800 series. Units may be further modified to meet specific needs.



Seal Comparison

	Triple Ring R Seal	Pentac D5 Seal	Taconite D8 Seal	Wash Down T Seal
Dirt/Dust	X	XX	XXX	X
Speed	XXX	XX	X	XX
Wash Downs	X	XX	XX	XXX
	x Good	xx Better	xxx Best	

Shaft	Part Number
1 7/16"	BP-LB6823
2 3/16"	BP-LB6835*
2 7/16"	BP-LB6839*
2 11/16"	BP-LB6843*
2 15/16"	BP-LB6847*
3 3/16"	BP-LB6851*
3 15/16"	BP-LB6863F
4 1/2"	BP-LB6872F
4 15/16"	BP-LB6879F

*For four-bolt base add suffix "F."

Unit with one side solid cast closed, add "C" suffix.

6600, 6800, 6900, 7600, 7800, 7900 Nomenclature

Symbol	Description	P	LB	79	65	F	B	C	-T2/	3
BP	Pillow block; two-piece; black Rilsan nylon II coated									
P	Pillow block; two-piece									
PK	Pillow block; two-piece cast steel housing (66, 68, 76 and 78 series)									
DS	Take-up, welded steel frame, hinged top									
LB	Spherical roller bearing									
66	Adapter mounted with 23000LBK bearing									
68	Adapter mounted with 22200LBK bearing									
69	Adapter mounted with 22300LBK bearing									
76	Direct shaft mounted with 23000LB bearing									
78	Direct shaft mounted with 22200LB bearing									
79	Direct shaft mounted with 22300LB bearing									
M	Metric bore adapter mount									
39	Shaft diameter in 16ths of an inch — adapter mounted									
65	Inner ring bore in millimeters — direct shaft mounted									
60	Shaft diameter in millimeters — adapter mounted									
F	Four-bolt base pillow block									
None	"T" Water seals									
D5	Pentac 5-point seals									
D8	Independently flushable seal									
B	Felt contact seal									
R	Multi-labyrinth seal									
C	Closed end unit									
T2	Locknut and washer included (76, 78, 79 series)									
2	Internal clearance less than C0									
0	Basic C0 internal clearance									
None	Internal clearance greater than C0 (standard)									
4	Internal clearance greater than C3									
12	Take-up adjustment, inches									

SAF22600, SAF22300 Nomenclature

Symbol	Description	F	SAF	S	226	17	C	T	215	4
F	Four-bolt base									
SAF	Pillow block; two-piece; inch series; labyrinth seal									
None	Gray Iron									
S	Cast Steel									
	Housing Material									
223	Direct shaft mounted with 22300LB spherical roller bearing									
226	Adapter mounted with 22300LBK spherical roller bearing									
17	One-fifth bearing bore diameter in mm									
C	Closed end unit									
T	Lockwasher and locknut NOT INCLUDED (22300 Series)									
None	Direct shaft mounted shaft size									
215	Adapter mounted shaft size in inch and 1/16, i.e., 215 is 2 15/16 inch shaft size									
2	Internal clearance less than C0									
0	Basic internal clearance									
None	Internal clearance greater than C0 (standard)									
4	Internal clearance greater than C3									
	Radial Clearance									

Large Bore Nomenclature

Symbol	Description	P	LB	222	44	K	C	71516
P	Pillow block; two-piece							
PK	Pillow block; two-piece cast steel							
LB	Spherical Roller Bearing							
222	Direct shaft mounted with 22200LB bearing							
223	Direct shaft mounted with 22300LB bearing							
225	Adapter mounted with 22200LBK bearing							
226	Adapter mounted with 22300LBK bearing							
230	Adapter or direct shaft mounted with 23000 bearing							
231	Adapter or direct shaft mounted with 23100 bearing							
232	Adapter or direct shaft mounted with 23200 bearing							
44	One-fifth bearing bore diameter in mm							
K	Tapered bore bearing							
C	End closure							
71516	7 15/16" – shaft size							

Seal Rating Guide

Application Conditions	Seal Ratings			
	LER Clearance R	PenTac Sealing System D5	Taconite Sealing System D8	Water Seal T
Shaft Position				
Horizontal Shaft	4	4	4	4
Vertical Shaft	1	4	4	4
Operating Temperature				
Below -40°F	4	1	1	1
-40°F to 0°F	4	3	3	3
0°F to +250°F	4	4	4	4
+250°F to +400°F	4	0	0	0
Over 400°F	4	0	0	0
Speed				
Equal to / Less than limit in chart	4	4	4	4
More than limit in chart	4	1	1	1
Vibration/Shock				
Occasional - Mild	3	4	4	4
Occasional - Severe	2	4	4	4
Continuous - Mild	1	3	3	3
Continuous - Severe	0	3	3	3
Abrasive Material				
Coarse - Over #10 Mesh	4	4	4	4
Small - #10 to #50 Mesh	3	4	4	4
Fine - #50 to #200 Mesh	1	3	4	3
Very fine - Under #200 Mesh	0	2	4	2
"Caking or buildup" (cement, etc.)	2	3	4	3
Moisture				
Splash	2	3	4	4
Rain	2	3	4	4
Saturated Atmosphere	1	3	4	4
Flooding	0	1	3	4
Pressure Wash	0	1	4	4
Fibrous Material				
Short Fibers (lint, etc.)	1	4	4	4
Long Fibers (grass, etc.)	1	4	4	4
Chemical				
Acid Fumes and Liquids	1	1	1	1
Alkaline Fumes and Liquids	1	1	1	1

Rating Code

4 - Excellent - Best seal for conditions listed.

3 - Good - Sealability is above average.

2 - Fair - Seal performs under intermittent conditions.

1 - Limited - Actual conditions must be known to evaluate sealability. Check "General Characteristic Guide" for construction as well as benefits and limitations for further evaluation.

0 - Not acceptable - Will not effectively perform seal functions. Contact Rexnord for special assistance in the realm of materials and designs.

Series 6600, 6800, 6900, 7600, 7800, 7900, 23000, 23100 and 23200 Selection Guide

To select a pillow block, determine the applied radial load, the applied thrust load, the desired Rating Life, the required minimum shaft size, and applicable operating conditions. The procedure shown here will aid in selecting a pillow block to meet an L_{10} design life. The formulas for calculating life expectancy should be used to determine the Rating Life L_{10} for the pillow block selected. Spherical roller bearing pillow blocks are available in Series 6600, 6800, 6900, 7600, 7800, 7900, 23000, 23100 and 23200. Because a number of series are available, several different pillow blocks that will fulfill and L_{10} life requirement can often be chosen.

Some of the factors to consider when choosing between series are: cost, speed limit, minimum shaft diameter, thrust load, space limitations, and type of shaft mounting.

The selection procedures and rating formulas shown here are in agreement with The American Bearing Manufacturers Association Standards and ANSI/ ABMA Standards STD 11-1990. Ratings are based on fatigue life.

The Rating Life L_{10} or fatigue life at 90% reliability is the usual basis for bearing selection.

For radial load applications only, Table 3 can be used to select a unit or to determine L_{10} life expectancy.

To assure a satisfactory bearing application, fitting practice, mounting, lubrication, sealing, static rating, housing strength, operating conditions and maintenance must be considered.

Steps for Selection

Step 1

Determine an appropriate L_{10} design life.

Type of service	Operating time, hours per year	Design life, years	L_{10} design life, hours
Heavy seasonal usage	1,400 to 1,600	4-6	8,000
Industrial—8 hour shift	2,000	10	20,000
Industrial—16 hour shift	4,000	10	40,000
Industrial—continuous	8,700	10	80,000 to 100,000
Industrial—High reliability	—	—	120,000 to 300,000

Step 2

Determine a required $\left(\frac{C}{P}\right)$ from Table 1.

Step 3

Calculate the required C and select a roller bearing pillow block.

a For radial load only: $P = F_r$

Required $C = \left(\frac{C}{P}\right) P$ using $\left(\frac{C}{P}\right)$ from Step 2

Select a roller bearing pillow block from Table 2 or Table 4 having a basic load rating C equal to or greater than the required C.

b For combined radial and thrust loads:

Select a roller bearing pillow block of the desired shaft size from Table 2 or Table 4 Calculate the ratio of thrust load F_a to the radial load F_r .

$$\frac{F_a}{F_r}$$

Calculate the equivalent radial load P

$$P = X F_r + Y F_a$$

If $\frac{F_a}{F_r}$ is equal to or less than e, then $P = X_1 F_r + Y_1 F_a$

If $\frac{F_a}{F_r}$ is greater than e, then $P = X_2 F_r + Y_2 F_a$

For values of e, X_1 , Y_1 , X_2 , and Y_2 , see Table 2 or Table 4

Required $C = \left(\frac{C}{P}\right) P$ using $\left(\frac{C}{P}\right)$ from Step 2

Consult the bearing rating Table 2 or Table 4, to see if the selected bearing meets or exceeds the required C. The life expectancy of other sizes and series of bearings can be calculated similarly.

Selection

Symbols for formulas:

- C = basic load rating, pounds (or newtons)
- Co = static load rating, pounds (or newtons)
- e = a reference value
- Fa = thrust load, pounds (or newtons)
- Fr = radial load, pounds (or newtons)
- L10 = rating life, hours
- n = speed, revolutions per minute
- P = equivalent radial load, pounds (or newtons)
- X = radial factor
- Y = thrust factor

Table 1 • Relation of L₁₀ life and speed to $\left(\frac{C}{P}\right)$

Bearing Life Hours L10	Speed, n									
	50	100	200	300	400	500	600	700	800	
3000	1.93	2.38	2.93	3.31	3.61	3.86	4.07	4.27	4.44	
4000	2.11	2.59	3.19	3.61	3.93	4.20	4.44	4.65	4.84	
5000	2.25	2.77	3.42	3.86	4.20	4.50	4.75	4.97	5.18	
6000	2.38	2.93	3.61	4.07	4.44	4.75	5.02	5.25	5.47	
8000	2.59	3.19	3.93	4.44	4.84	5.18	5.47	5.73	5.96	
10000	2.77	3.42	4.20	4.75	5.18	5.54	5.85	6.12	6.37	
12000	2.93	3.61	4.44	5.02	5.47	5.85	6.18	6.47	6.73	
14000	3.07	3.78	4.65	5.25	5.73	6.12	6.47	6.77	7.05	
16000	3.19	3.93	4.84	5.47	5.96	6.37	6.73	7.05	7.34	
18000	3.31	4.07	5.02	5.66	6.18	6.60	6.97	7.30	7.60	
20000	3.42	4.20	5.18	5.85	6.37	6.81	7.20	7.54	7.85	
25000	3.65	4.50	5.54	6.25	6.81	7.29	7.70	8.06	8.39	
30000	3.86	4.75	5.85	6.60	7.20	7.70	8.13	8.51	8.86	
35000	4.04	4.97	6.12	6.92	7.54	8.06	8.51	8.92	9.28	
40000	4.20	5.18	6.37	7.20	7.85	8.39	8.86	9.28	9.66	
45000	4.36	5.36	6.60	7.46	8.13	8.69	9.18	9.61	10.00	
50000	4.50	5.54	6.81	7.70	8.39	8.97	9.48	9.92	10.30	
60000	4.75	5.85	7.20	8.13	8.86	9.48	10.00	10.50	10.90	
70000	4.97	6.12	7.54	8.51	9.28	9.92	10.50	11.00	11.40	
80000	5.18	6.37	7.85	8.86	9.66	10.30	10.90	11.40	11.90	
90000	5.36	6.60	8.13	9.18	10.00	10.70	11.30	11.80	12.30	
100000	5.54	6.81	8.39	9.48	10.30	11.00	11.70	12.20	12.70	
150000	6.25	7.70	9.48	10.70	11.70	12.50	13.20	13.80	14.40	
200000	6.81	8.39	10.30	11.70	12.70	13.60	14.40	15.00	15.70	

	Speed, n									
	900	1000	1200	1500	1800	2400	3000	3600	6000	
3000	4.60	4.75	5.02	5.36	5.66	6.18	6.60	6.97	8.13	
4000	5.02	5.18	5.47	5.85	6.18	6.73	7.20	7.60	8.86	
5000	5.36	5.54	5.85	6.25	6.60	7.20	7.70	8.13	9.48	
6000	5.66	5.85	6.18	6.60	6.97	7.60	8.13	8.59	10.00	
8000	6.18	6.37	6.73	7.20	7.60	8.29	8.86	9.36	10.90	
10000	6.60	6.81	7.20	7.70	8.13	8.86	9.48	10.00	11.70	
12000	6.97	7.20	7.60	8.13	8.59	9.36	10.00	10.60	12.30	
14000	7.30	7.54	7.96	8.51	8.99	9.80	10.50	11.10	12.90	
16000	7.60	7.85	8.29	8.86	9.36	10.20	10.90	11.50	13.40	
18000	7.88	8.13	8.59	9.18	9.70	10.60	11.30	11.90	13.90	
20000	8.13	8.39	8.86	9.48	10.00	10.90	11.70	12.30	14.40	
25000	8.69	8.97	9.48	10.10	10.70	11.70	12.50	13.20	15.40	
30000	9.18	9.48	10.00	10.70	11.30	12.30	13.20	13.90	16.20	
35000	9.61	9.92	10.50	11.20	11.80	12.90	13.80	14.60	17.00	
40000	10.00	10.30	10.90	11.70	12.30	13.40	14.40	15.20	17.70	
45000	10.40	10.70	11.30	12.10	12.80	13.90	14.90	15.70	18.30	
50000	10.70	11.00	11.70	12.50	13.20	14.40	15.40	16.20	18.90	
60000	11.30	11.70	12.30	13.20	13.90	15.20	16.20	17.10	20.00	
70000	11.80	12.20	12.90	13.80	14.60	15.90	17.00	17.90	20.90	
80000	12.30	12.70	13.40	14.40	15.20	16.50	17.70	18.70	21.80	
90000	12.80	13.20	13.90	14.90	15.70	17.10	18.30	19.40	22.60	
100000	13.20	13.60	14.40	15.40	16.20	17.70	18.90	20.00	23.30	
150000	14.90	15.40	16.20	17.30	18.30	20.00	21.40	22.60	26.30	
200000	16.20	16.70	17.70	18.90	20.00	21.80	23.30	24.60	28.70	

Basic Formula

$$\left(\frac{C}{P}\right) = \left(\frac{L_{10} \times n \times 60}{1,000,000}\right)^{3/10}$$

$$L_{10} = \frac{\left(\frac{C}{P}\right)^{10/3} \times 1,000,000}{n \times 60}$$

Life Expectancy

To calculate the Rating Life L₁₀ of any selected or trial bearing:

Step 1

Determine the equivalent radial load P.

a For radial load only:

$$P = F_r$$

b For combined radial and thrust load:

$$P = X F_r + Y F_a$$

if $\frac{F_a}{F_r}$ is equal to or less than e, then

$$P = X_1 F_r + Y_1 F_a$$

if $\frac{F_a}{F_r}$ is greater than e, then

$$P = X_2 F_r + Y_2 F_a$$

For values of e, X₁, Y₁, X₂, and Y₂, consult the appropriate bearing rating Table 2 Table 4.

Step 2

Calculate the ratio of the basic load rating C to the equivalent radial load.

$$\left(\frac{C}{P}\right)$$

Step 3

Approximate the bearing life from Table 1.

Live Adjustment

The Rating Life, L₁₀, may be modified for some applications in accordance with the formula

$$L_n = a_1 a_2 a_3 L_{10}$$

where L_n = Adjusted life for (100-n) % reliability,

a₁ = Life adjustment factor for reliability

a₂ = Life adjustment factor

for material and processing

a₃ = Life adjustment factor for operating conditions.

For most normal applications, all factors will be taken as 1, and the Rating Life used as the selection basis or life estimate. In addition, as long as standard catalog bearings are used, a₂ will be normally set equal to one.

The factor a₃ covers such things as lubrication, misalignment, and temperature. Some conditions that could yield a₃ significantly different than unity include speeds less than 20000 DN or greater than 200000 DN, temperatures below -40°F (-40°C) or above 275°F (135°C). For other possible conditions, as well as additional information on life adjustment factors, consult Rexnord Bearing Division.

Table 2 • 6600, 6800, 7600, 7800 Series Load Ratings and Speed Limits

Basic Bearing Number				Bearing Size Number	Co Static Load Rating pounds/ newtons	C Basic Load Rating pounds/ newtons	Approximate Speed Limit RPM*			e	Fa — ≤ e Fr		Fa — > e Fr	
Adapter Mounted		Direct Shaft Mounted					Oil	Grease	D5 Seal 1mm Push-in#		X1	Y1	X2	Y2
Shaft Diameter inches/mm	Number	Bearing Seat mm	Number											
1 7/16	LB6823	22209LB	23600	20800	6200	5300	5300	0.26	1.00	2.6	0.67	3.9
1 1/2	LB6824													
40	LB68M40				105000	92500								
1 11/16	LB6827	22210LB	25500	22000	5500	5000	5000	0.26	1.00	2.8	0.67	4.2
1 3/4	LB6828													
45	LB68M45				113000	97900								
1 15/16	LB6831	22211LB	32500	27000	5000	4500	4500	0.23	1.00	2.9	0.67	4.4
2	LB6832													
50	LB68M50				145000	120000								
2 3/16	LB6835	22213LB	46500	38000	4300	3800	3800	0.24	1.00	2.8	0.67	4.2
60	LB68M60				207000	169000								
2 7/16	LB6839	75	LB7875	22215LB	53000	41500	3700	3400	3400	0.22	1.00	3.1	0.67	4.6
65	LB68M65				236000	185000								
2 11/16	LB6843	80	LB7880	22216LB	58500	46500	3500	3200	3200	0.22	1.00	3.1	0.67	4.7
70	LB68M70				260000	207000								
2 15/16	LB6847	85	LB7885	22217LB	73500	58500	3250	3000	3000	0.22	1.00	3.0	0.67	4.5
3	LB6848													
75	LB68M75				327000	260000								
3 3/16	LB6851	90	LB7890	22218LB	81500	64000	3000	2600	2600	0.23	1.00	2.9	0.67	4.3
80	LB68M80				363000	285000								
3 7/16	LB6855	100	LB78100	22220LB	104000	80000	2800	2200	2200	0.24	1.00	2.8	0.67	4.2
3 1/2	LB6856													
90	LB68M90				463000	356000								
3 11/16	LB6859	110	LB78110	22222LB	132000	102000	2500	2000	2000	0.25	1.00	2.7	0.67	4.0
3 15/16	LB6863													
4	LB6864				587000	454000								
100	LB68M100													
4 3/16	LB6867	120	LB78120	22224LB	163000	120000	2300	1900	1900	0.25	1.00	2.7	0.67	4.0
110	LB68M110				725000	534000								
4 7/16	LB6871	130	LB78130	22226LB	196000	143000	2100	1800	1800	0.26	1.00	2.6	0.67	3.9
4 1/2	LB6872													
115	LB68M115				872000	636000								
4 15/16	LB6879	140	LB78140	22228LB	228000	166000	1950	1700	1700	0.25	1.00	2.7	0.67	4.0
5	LB6880													
125	LB68M125				1010000	738000								

Table 2 • 6600, 6800, 7600, 7800 Series Load Ratings and Speed Limits (continued)

Basic Bearing Number				Bearing Size Number	Co Static Load Rating pounds/newtons	C Basic Load Rating pounds/newtons	Approximate Speed Limit RPM*			e	Fa — ≤ e Fr		Fa — > e Fr	
Adapter Mounted		Direct Shaft Mounted					Oil	Grease	D5 Seal 1mm Push-in#		X1	Y1	X2	Y2
Shaft Diameter inches/mm	Number	Bearing Seat mm	Number											
5 3/16 135	LB6883 LB68M135	150	LB78150	22230LB	270000 1200000	190000 845000	1850	1600	1600	0.25	1.00	2.7	0.67	4.0
5 7/16 140	LB6887 LB68M140	160	LB78160	22232LB	310000 1380000	216000 961000	1700	1500	1500	0.26	1.00	2.6	0.67	3.9
5 15/16 6 150	LB6895 LB6896 LB68M150	170	LB78170	22234LB	345000 1530000	250000 1110000	1600	1300	1300	0.26	1.00	2.6	0.67	3.9
6 7/16 6 1/2 160	LB68103 LB68104 LB68M160	180	LB78180	22236LB	365000 1620000	255000 1130000	1500	1300	1300	0.25	1.00	2.7	0.67	4.0
6 15/16 7 170	LB68111 LB68112 LB68M170	190	LB78190	22238LB	415000 1850000	270000 1200000	1400	1200	1200	0.28	1.00	2.4	0.67	3.6
7 3/16 180	LB68115 LB68M180	200	LB78200	22240LB	450000 2000000	300000 1330000	1300	1100	1100	0.29	1.00	2.3	0.67	3.5
7 1/2 7 15/16 8 200	LB68120 LB68127 LB68128 LB68M200	220	LB78220	22244LB	550000 2450000	365000 1620000	1200	1000	1000	0.29	1.00	2.3	0.67	3.5
8 7/16 8 15/16	LB22548K8716 LB22548K81516	240	LB22248	22248LB	650000 2890000	420500 1870000	950	750	N/A	0.27	1.00	2.5	0.67	3.7
8 7/16 8 1/2 8 15/16 9 220	LB66135 LB66136 LB66143 LB66144 LB66M220	240	LB76240	23048LB	490000 2180000	260000 1160000	1100	1000	1000	0.25	1.00	2.7	0.67	4.1
9 7/16 9 1/2 9 15/16 10 10 7/16 10 1/2 260	LB66B151 LB66B152 LB66159 LB66160 LB66167 LB66168 LB66M260	280	LB76280	23056LB	670000 2980000	345000 1530000	950	850	850	0.25	1.00	2.7	0.67	4.1

* Speed limits are based on the following:

1. Type R seals properly aligned.
 - a. For the type B seals, limit is 800 surface feet per minute (4.0 m/s) with good alignment.
 - b. For type D8 seals, limit is 1500 surface feet per minute (7.6 m/s) with good alignment.
2. Proper operating internal clearance.
3. Adequate lubrication and maintenance (special lubricants and/or more frequent relubrication may be required).
4. Normal room temperature environment and no extraneous heat sources, such that bearing operating temperature does not exceed 100°C (212°F).
5. Equivalent radial load not greater than 7% of C.
6. Axial load, if any, not greater than 20% of radial load.

D5 Pentac speed limits in the chart are based on pushing the Pentac seal against the housing face a distance of 1 mm as specified by the service instructions. The Pentac seal can be pressed in a distance of 2 mm for high contaminant environments. The speed limit at a 2 mm "Push-In" distance should be limited to 80% of those listed in the chart.

Table 3 • Radial Load Ratings in Pounds at Various RPM for Appropriate L₁₀ Life Hours

Basic Unit Number		L10 Minimum Life, hours	Radial Load Ratings, Pounds																	
Adapter Mounted	Direct Shaft Mounted		Speed, RPM																	
			50	100	200	300	400	500	600	700	800	900	1000	1200	1500	1800	2000	2500	3000	3500
LB6823 LB6824 LB68M40		8000	8017	6512	5289	4683	4296	4018	3804	3632	3490	3368	3264	3090	2890	2736	2651	2479	2347	2241
		20000	6090	4947	4018	3558	3264	3052	2890	2759	2651	2559	2479	2347	2195	2078	1988	1883	1783	1703
		40000	4947	4018	3264	2890	2651	2479	2347	2241	2153	2078	2014	1907	1783	1688	1636	1530	1448	1383
		100000	3758	3052	2479	2195	2014	1883	1783	1703	1636	1579	1530	1448	1355	1282	1243	1162	1100	1051
LB6827 LB6828 LB68M45		8000	8479	6887	5594	4954	4544	4250	3842	3691	3563	3452	3268	3056	2894	2804	2622	2483	2370	2277
		20000	6441	5232	4250	3763	3452	3228	3056	2918	2804	2706	2622	2483	2322	2198	2130	1992	1886	1801
		40000	5232	4250	3452	3056	2804	2622	2483	2370	2277	2198	2130	2017	1886	1786	1730	1618	1532	1463
		100000	3975	3228	2622	2322	2130	1992	1886	1801	1730	1670	1618	1532	1433	1356	1314	1229	1164	1111
LB6831 LB6832 LB68M50		8000	10406	8453	6866	6079	5577	5216	4938	4715	4530	4372	4236	4011	3751	3551	3441	3218	3047	2909
		20000	7905	6421	5216	4618	4236	3962	3751	3582	3441	3322	3218	3047	2850	2698	2614	2445	2315	2210
		40000	6421	5216	4236	3751	3441	3218	3047	2909	2795	2698	2614	2475	2315	2191	2123	1986	1880	1795
		100000	4878	3962	3218	2850	2614	2445	2315	2210	2123	2049	1986	1880	1758	1665	1613	1508	1428	1364
LB6835 LB68M60		8000	14646	11896	9663	8556	7849	7340	6950	6636	6375	6154	5962	5645	5279	4998	4843	4529	4288	4094
		20000	11126	9037	7340	6500	5962	5576	5279	5041	4843	4675	4529	4288	4011	3797	3679	3441	3258	3110
		40000	9037	7340	5962	5279	4843	4529	4288	4094	3934	3797	3679	3483	3258	3084	2988	2795	2646	2526
		100000	6865	5576	4529	4011	3679	3441	3258	3110	2988	2884	2795	2646	2475	2343	2270	2123	2010	1919
LB6839 LB68M65		8000	15995	12992	10553	9344	8572	8016	7590	7247	6962	6721	6511	6165	5766	5459	5289	4946	4683	4472
		20000	12151	9869	8016	7098	6511	6090	5766	5505	5289	5105	4946	4683	4380	4147	4018	3758	3558	3397
		40000	9869	8016	6511	5766	5289	4946	4683	4472	4296	4147	4018	3804	3558	3368	3263	3052	2890	2759
		100000	7497	6090	4946	4380	4018	3758	3558	3397	3263	3150	3052	2890	2703	2559	2479	2319	2195	2096
LB6843 LB68M70		8000	17922	14557	11824	10470	9604	8982	8504	8120	7801	7530	7296	6908	6460	6116	5926	5542	5247	5010
		20000	13615	11059	8982	7954	7296	6824	6460	6168	5926	5720	5542	5247	4908	4646	4502	4210	3986	3806
		40000	11059	8982	7296	6460	5926	5542	5247	5010	4814	4646	4502	4262	3986	3774	3657	3420	3238	3091
		100000	8401	6824	5542	4908	4502	4210	3986	3806	3657	3530	3420	3238	3028	2867	2778	2598	2460	2348
LB6847 LB6848 LB68M75		8000	22547	18314	14876	13172	12083	11300	10699	10215	9814	9474	9179	8690	8127	7695	7455	6973	6602	6303
		20000	17128	13912	11300	10006	9179	8584	8127	7760	7455	7197	6973	6602	6174	5845	5664	5297	5015	4788
		40000	13912	11300	9179	8127	7455	6973	6602	6303	6056	5845	5664	5362	5015	4748	4600	4302	4073	3889
		100000	10569	8584	6973	6174	5664	5297	5015	4788	4600	4441	4302	4073	3810	3607	3495	3268	3094	2955
LB6851 LB68M80		8000	24667	20036	16274	14410	13219	12363	11705	11176	10737	10364	10042	9507	8892	8418	8156	7628	7222	6896
		20000	18738	15220	12363	10947	10042	9391	8892	8490	8156	7873	7628	7222	6755	6395	6196	5795	5486	5238
		40000	15220	12363	10042	8892	8156	7628	7222	6896	6625	6395	6196	5866	5486	5194	5033	4707	4456	4255
		100000	11562	9391	7628	6755	6196	5795	5486	5238	5033	4858	4707	4456	4168	3946	3823	3576	3385	3232
LB6855 LB6856 LB68M90		8000	30834	25045	20343	18013	16523	15453	14631	13970	13421	12955	12552	11884	11115	10523	10196	9535	9028	8620
		20000	23423	19025	15453	13684	12552	11739	11115	10612	10196	9842	9535	9028	8443	7994	7745	7244	6820	6528
		40000	19025	15453	12552	11115	10196	9535	9028	8620	8281	7994	7745	7333	6858	6493	6291	5884	5584	5322
		100000	14453	11739	9535	8443	7745	7244	6858	6548	6291	6073	5884	5570	5210	4932	4779	4470	4252	4096
LB6859 LB6863 LB6864 LB68M100		8000	39313	31932	25937	22966	21067	19703	18654	17811	17112	16518	16004	15152	14171	13417	12999	12158	11529	11000
		20000	29864	24257	19703	17447	16004	14968	14171	13531	12999	12548	12158	11510	10765	10192	9875	9349	8744	8279
		40000	24257	19703	16004	14171	12999	12158	11510	10990	10559	10192	9875	9349	8744	8279	8021	7502	7052	6702
		100000	18427	14968	12158	10765	9875	9236	8744	8349	8021	7743	7502	7102	6642	6289	6093	5699	5369	5129
LB6867 LB68M110		8000	46251	37567	30514	27019	24785	23180	21946	20955	20132	19433	18828	17826	16672	15784	15293	14479	13836	13267
		20000	35135	28538	23180	20525	18828	17609	16672	15918	15293	14762	14303	13542	12665	11991	11618	10939	10287	9739
		40000	28538	23180	18828	16672	15293	14303	13542	12930	12422	11991	11618	10999	10287	9739	9436	8936	8436	8036
		100000	21679	17609	14303	12665	11618	10865	10287	9822	9436	9109	8825	8356	7815	7399	7168			
LB6871 LB6872 LB68M115		8000	55115	44768	36363	32198	29536	27623	26153	24971	23990	23157	22437	21243	19867	18810	18224	17429	16606	15844
		20000	41869	34008	27623	24459	22437	20984	19867	18969	18224	17592	17044	16137	15092	14289	13844	13107	12259	11606
		40000	34008	27623	22437	19867	18224	17044	16137	15408	14803	14289	13844	13107	12259	11606	11245	10622	10085	9628
		100000	25834	20984	17044	15092	13844	12948	12259	11705	11245	10855	10517	9957	9312	8817	8542			
LB6879 LB6880 LB68M125		8000	63980	51968	42211	37377	34286	32066	30359	28987	27849	26882	26046	24659	23063	21835	21000	20000	19100	18200
		20000	48603	39478	32066	28393	26046	24359	23063	22020	21156	20421	19786	18733	17520	16587	15885	15194	14503	13812
		40000	39478	32066	26046	23063	21156	19786	18733	17886	17184	16587	16071	15216	14230	13473	12871	12270	11669	11068
		100000	29990	24359	19786	17520	16071	15030	14230	13587	13054	12601	12209	11859	11081	10235				
LB6883 LB68M135		8000	73230	59481	48314	42780	39243	36702	34748	33178	31875	30769	29811	28225	26397	24992	24033	23074	22115	21156
		20000	55630	45186	36702	32498	29811	27881	26397	25204	24214	23374	22646	21441	20053	18985	18185	17385	16585	15785
		40000	45186	36702	29811	26397	24214	22646	21441	20472	19668	18985	18395	17415	16288	15421	14654	13887	13120	12353
		100000	34326	27881	22646	20053	18395	17204	16288	15552	14941	14422	13974	13230	12373	11715				
LB6887 LB68M140		8000	83251	67621	54925	48635	44613	41724	39504	37718	36237	34979	33891	32087	30373	28829	28000	27100	26200	25300
		20000	63242	51369	41724	36946	33891	31696	30009	28653	27528	26572	25745	24375	22797	21400	20500	19600	18700	17800
		40000	51369	41724	33891	30009	27528	25745	24375	23273	22360	21583	20912	19799	18517	17400	16500	15600	14700	13800
		100000	39023	31696	25745	22797	20912	19558	18517	17680	16986	16396	15866	15336	14806	14276	13746	13216	12686	12156
LB6895 LB6896 LB68M150		8000	96356	78265	63571	56290	51636	48292	45722	43655	41941	40485	39225	37138	34733	33000	31300	29600	27900	26

Table 4 • Series 6900, 7900, SAF22600, SAF22300 Load Ratings and Speed Limits

Basic Bearing Number				Bearing Size Number	Co Static Load Rating	C Basic Load Rating	Approximate Speed Limit RPM*		e	$\frac{F_a}{F_r} \leq e$		$\frac{F_a}{F_r} > e$	
Adapter Mounted		Direct Shaft Mounted					Oil	Grease		X1	Y1	X2	Y2
Shaft Diameter	Number	Bearing Seat mm	Number										
inches					pounds/newtons	pounds/newtons							
1 7/16	LB6923	45	LB7945	22309LB	40000	35500	4800	3800	0.36	1.00	1.9	0.67	2.8
1 1/2	LB6924				178000	158000							
1 11/16	LB6927	50	LB7950	22310LB	48000	42500	4300	3400	0.36	1.00	1.9	0.67	2.8
					214000	189000							
1 15/16	LB6931	55	LB7955	22311LB	57000	50000	4000	3200	0.36	1.00	1.9	0.67	2.8
2	LB6932				254000	222000							
2 3/16	LB6935	65	LB7965	22313LB	80000	65500	3400	2600	0.34	1.00	2.0	0.67	3.0
					356000	291000							
2 7/16	LB6939	75	LB7975	22315LB	98000	83000	3000	2200	0.34	1.00	2.0	0.67	3.0
2 1/2	LB6940				436000	369000							
2 11/16	LB6943	80	LB7980	22316LB	112000	93000	2800	2000	0.34	1.00	2.0	0.67	3.0
					498000	414000							
2 15/16	LB6947	85	LB7985	22317LB	122000	102000	2600	1900	0.33	1.00	2.0	0.67	3.0
					543000	454000							
3 3/16	22618-303	90	22318	22318LB	140000	114000	2400	1800	0.33	1.00	2.0	0.67	3.0
					623000	507000							
3 7/16	22620-307	100	22320	22320LB	183000	146000	2200	1700	0.34	1.00	2.0	0.67	3.0
3 1/2	22620-308				814000	649000							
3 15/16	22622-315	110	22322	22322LB	236000	180000	2000	1600	0.33	1.00	2.1	0.67	3.1
4	22622-400				1050000	801000							
4 3/16	22624-403	120	22324	22324LB	260000	204000	1800	1400	0.33	1.00	2.1	0.67	3.1
					1160000	907000							
4 7/16	22626-407	130	22326	22326LB	305000	236000	1700	1300	0.33	1.00	2.1	0.67	3.1
					1360000	1050000							
4 15/16	22628-415	140	22328	22328LB	360000	275000	1500	1100	0.34	1.00	2.0	0.67	3.0
5	22628-500				1600000	1220000							
5 3/16	22630-503	150	22330	22330LB	405000	310000	1400	1000	0.33	1.00	2.0	0.67	3.0
					1800000	1380000							
5 7/16	22632-507	160	22332	22332LB	425000	325000	1300	950	0.37	1.00	1.8	0.67	2.7
					1890000	1450000							
5 15/16	22634-515	170	22334	22334LB	475000	360000	1300	950	0.37	1.00	1.8	0.67	2.7
					2110000	1600000							

If the load P is greater than .25C, consult Rexnord Bearing Division.

*Speed limits are based on the following:

1. Negligible seal torque (e.g., non-contact seals)
2. Proper operating internal clearance.
3. Adequate lubrication and maintenance (special lubricants and/or more frequent relubrication may be required).
4. Normal room temperature environment and no extraneous heat sources, such that bearing operating temperature does not exceed 100°C (212°F).
5. Equivalent radial load not greater than 7% of C.
6. Axial load, if any, not greater than 20% of radial load.

Table 5 • Radial Load Ratings in Pounds at Various RPM for Appropriate L₁₀ Life Hours

Basic Unit Number		L10 Minimum Life, hours	Radial Load Ratings, Pounds																	
Adapter Mounted	Direct Shaft Mounted		Speed, RPM																	
			50	100	200	300	400	500	600	700	800	900	1000	1200	1500	1800	2000	2500	3000	3500
LB6923 LB6924	LB7945	8000	13682	11114	9027	7993	7332	6857	6492	6199	5956	5749	5570	5274	4932	4670	4524	4231	4006	3825
		20000	10394	8443	6857	6072	5570	5209	4932	4709	4524	4367	4231	4006	3747	3547	3437	3214	3043	2906
		40000	8443	6857	5570	4932	4524	4231	4006	3825	3675	3547	3437	3254	3043	2881	2792	2611	2472	2360
		100000	6413	5209	4231	3747	3437	3214	3043	2906	2792	2695	2611	2472	2312	2189	2121	1983	1878	1793
LB6927	LB7950	8000	16380	13305	10807	9569	8778	8210	7773	7421	7130	6882	6668	6313	5905	5590	5416	5066	4796	4579
		20000	12444	10107	8210	7269	6668	6237	5905	5638	5416	5228	5066	4796	4485	4247	4115	3848	3643	3479
		40000	10107	8210	6668	5905	5416	5066	4796	4579	4399	4247	4115	3896	3643	3449	3342	3126	2959	2826
		100000	7678	6237	5066	4485	4115	3848	3643	3479	3342	3226	3126	2959	2768	2620	2539	2374	2248	2146
LB6931 LB6932	LB7955	8000	19271	15653	12714	11258	10327	9658	9144	8731	8388	8097	7845	7428	6947	6577	6372	5960	5642	5387
		20000	14639	11891	9658	8552	7845	7337	6947	6633	6372	6151	5960	5642	5277	4996	4841	4527	4286	4093
		40000	11891	9658	7845	6947	6372	5960	5642	5387	5176	4996	4841	4583	4286	4058	3932	3677	3482	3324
		100000	9033	7337	5960	5277	4841	4527	4286	4093	3932	3795	3677	3482	3256	3083	2987	2793	2645	2525
LB6935	LB7965	8000	25245	20505	16656	14748	13529	12653	11979	11438	10989	10607	10277	9730	9100	8616	8348	7807	7391	7057
		20000	19178	15577	12653	11203	10277	9612	9100	8689	8348	8058	7807	7391	6913	6545	6341	5931	5615	5361
		40000	15577	12653	10277	9100	8348	7807	7391	7057	6780	6545	6341	6004	5615	5316	5151	4817	4561	4355
		100000	11833	9612	7807	6913	6341	5931	5615	5361	5151	4972	4817	4561	4265	4038	3913	3659	3465	3308
LB6939 LB6940	LB7975	8000	31990	25984	21106	18688	17143	16033	15180	14494	13924	13441	13023	12330	11531	10918	10578	9893	9366	8943
		20000	24301	19739	16033	14197	13023	12180	11531	11010	10578	10211	9893	9366	8760	8294	8036	7515	7115	6794
		40000	19739	16033	13023	11531	10578	9893	9366	8943	8592	8294	8036	7608	7115	6736	6527	6104	5779	5518
		100000	14995	12180	9893	8760	8036	7515	7115	6794	6527	6300	6104	5779	5405	5117	4958	4637	4390	4192
LB6943	LB7980	8000	35844	29115	23648	20940	19208	17965	17008	16240	15602	15060	14592	13815	12921	12233	11852	11085	10495	10021
		20000	27229	22117	17965	15907	14592	13647	12921	12337	11852	11441	11085	10495	9815	9293	9004	8421	7972	7612
		40000	22117	17965	14592	12921	11852	11085	10495	10021	9627	9293	9004	8524	7972	7548	7313	6840	6476	6183
		100000	16801	13647	11085	9815	9004	8421	7972	7612	7313	7059	6840	6476	6056	5734	5556	5196	4919	4697
LB6947	LB7985	8000	39313	31932	25937	22966	21067	19703	18654	17811	17112	16518	16004	15152	14171	13417	12999	12158	11510	10990
		20000	29864	24257	19703	17447	16004	14968	14171	13531	12999	12548	12158	11510	10765	10192	9875	9236	8744	8349
		40000	24257	19703	16004	14171	12999	12158	11510	10990	10559	10192	9875	9349	8744	8279	8021	7502	7102	6781
		100000	18427	14968	12158	10765	9875	9236	8744	8349	8021	7743	7502	7102	6642	6289	6093	5699	5395	5152
22618	22318	8000	43938	35689	28988	25668	23546	22021	20849	19907	19125	18461	17887	16935	15838	14995	14529	13588	12865	12283
		20000	33378	27111	22021	19499	17887	16729	15838	15122	14529	14024	13588	12865	12032	11391	11037	10322	9773	9331
		40000	27111	22021	17887	15838	14529	13588	12865	12283	11801	11391	11037	10449	9773	9253	8965	8384	7938	7579
		100000	20595	16729	13588	12032	11037	10322	9773	9331	8965	8653	8384	7938	7424	7029	6810	6369	6030	5758
22620	22320	8000	56272	45707	37125	32873	30155	28203	26701	25495	24494	23643	22908	21688	20284	19204	18607	17402	16476	15731
		20000	42747	34722	28203	24973	22908	21424	20284	19367	18607	17961	17402	16476	15409	14589	14135	13220	12516	11950
		40000	34722	28203	22908	20284	18607	17402	16476	15731	15113	14589	14135	13382	12516	11850	11481	10738	10166	9707
		100000	26376	21424	17402	15409	14135	13220	12516	11950	11481	11082	10738	10166	9508	9002	8722	8157	7723	7374
22622	22322	8000	69376	56351	45771	40529	37178	34770	32920	31432	30198	29149	28242	26739	25008	23677	22940	21454	20313	19395
		20000	52702	42807	34770	30788	28242	26414	25008	23877	22940	22143	21454	20313	18997	17986	17426	16298	15431	14733
		40000	42807	34770	28242	25008	22940	21454	20313	19395	18633	17986	17426	16499	15431	14609	14155	13238	12534	11967
		100000	32519	26414	21454	18997	17426	16298	15431	14733	14155	13663	13238	12534	11722	11098	10753	10056	9521	9091
22624	22324	8000	78626	63864	51874	45933	42135	39406	37309	35623	34224	33036	32008	30304	28342	26833	25999	24315	23021	21980
		20000	59729	48515	39406	34893	32008	29935	28342	27061	25999	25096	24315	23021	21530	20384	19750	18471	17488	16698
		40000	48515	39406	32008	28342	25999	24315	23021	21980	21117	20384	19750	18699	17488	16557	16042	15003	14205	13563
		100000	36855	29935	24315	21530	19750	18471	17488	16698	16042	15485	15003	14205	13285	12578	12186	11397	10791	10303
22626	22326	8000	90960	73882	60011	53138	48744	45588	43161	41211	39592	38218	37029	35058	32788	31043	30077	28129	26632	25428
		20000	69098	56125	45588	40367	37029	34631	32788	31306	30077	29033	28129	26632	24908	23582	22848	21369	20231	19317
		40000	56125	45588	37029	32788	30077	28129	26632	25428	24430	23582	22848	21632	20231	19154	18558	17357	16433	15690
		100000	42636	34631	28129	24908	22848	21369	20231	19317	18558	17914	17357	16433	15369	14551	14098	13185	12483	11919
22628	22328	8000	105991	86092	69928	61919	56799	53121	50294	48021	46135	44534	43148	40851	38206	36173	35047	32778	31033	29631
		20000	80517	65400	53121	47037	43148	40354	38206	36480	35047	33830	32778	31033	29024	27479	26624	24900	23574	22509
		40000	65400	53121	43148	38206	35047	32778	31033	29631	28467	27479	26624	25207	23574	22320	21625	20225	19148	18283
		100000	49682	40354	32778	29024	26624	24900	23574	22509	21625	20874	20225	19148	17909	16955	16428	15364	14546	13889
22630	22330	8000	119481	97049	78828	69800	64028	59882	56695	54133	52007	50201	48640	46051	43069	40776	39508	36949	34983	33402
		20000	90765	73724	59882	53024	48640	45490	43069	41122	39508	38136	36949	34983	32717	30976	30012	28069	26575	25374
		40000	73724	59882	48640	43069	39508	36949	34983	33402	32090	30976	30012	28415	26575	25160	24378	22799	21585	20610
		100000	56005	45490	36949	32717	30012	28069	26575	25374	24378	23531	22799	21585	20188	19113	18519	17319	16398	15657
22632	22332	8000	125262	101745	82642	73177	67126	62780	59438	56752	54524	52631	50993	48279	45153	42749	41419	38737	36675	35018
		20000	95156	77291	62780	55589	50993	47691	45153	43112	41419	39981	38737	36675	34301	32475	31464	29427	27861	26602
		40000	77291	62780	50993	45153	41419	38737	36675	35018	33643	32475	31464	29790	27861	26378	25557	23902	22630	21607
		100000	58715	47691	38737	34301	31464	29427	27861	26602	25557	24670	23902	22630	21165	20038	1			

Table 6 • Series PLB23000K Load Ratings and Speed Limits

Basic Bearing Number		Co Static Load Rating		C Basic Load Rating		Approximate Speed Limit RPM		e	Fa/Fr ≤ e		Fa/Fr > e	
Adapter Mounted		pounds	newtons	pounds	newtons	Grease	Oil		X1	Y1	X2	Y2
Shaft diameter (inches)	Number											
7-15/16 8	23044K	445100	1980000	254000	1090000	950	1200	0.24	1.00	2.80	0.67	4.10
8-1/2 8-15/16 9	23048K	490000	2180000	260000	1160000	950	1100	0.25	1.00	2.70	0.67	4.10
9-7/16 9-1/2	23052K	580000	2580000	321500	1430000	800	950	0.25	1.00	2.70	0.67	4.10
9-15/16 10 10-7/16	23056K	670000	2980000	345000	1530000	800	950	0.25	1.00	2.70	0.67	4.10
10-15/16 11	23060K	832000	3700000	431600	1920000	670	850	0.24	1.00	2.80	0.67	4.20
11-15/16 12	23064K	865500	3850000	440600	1960000	630	800	0.24	1.00	2.80	0.67	4.20
12-1/2	23068K	989200	4400000	512600	2280000	560	710	0.24	1.00	2.80	0.67	4.20
12-15/16 13	23072K	1056600	4700000	537500	2390000	530	670	0.24	1.00	2.80	0.67	4.20
13-15/16 14	23076K	1146500	5100000	562000	2500000	530	630	0.22	1.00	3.00	0.67	4.50
15	23080K	1326500	5900000	668000	2970000	480	600	0.23	1.00	3.00	0.67	4.40
15-3/4	23084K	1315200	5850000	654200	2910000	450	560	0.23	1.00	2.90	0.67	4.30
16-1/2	23088K	1427500	6350000	708200	3150000	430	530	0.23	1.00	2.90	0.67	4.30
17	23092K	1596200	7100000	775600	3450000	400	500	0.22	1.00	3.10	0.67	4.60
18	23096K	1787200	7950000	854300	3800000	400	480	0.22	1.00	3.10	0.67	4.60
19-1/2	230530K	2068200	9200000	989200	4400000	340	430	0.22	1.00	3.10	0.67	4.60
21	230560K	2405500	10700000	1124000	5000000	320	400	0.22	1.00	3.00	0.67	4.50
22	230600K	2743000	12200000	1225200	5450000	300	360	0.21	1.00	3.30	0.67	4.80
24	230630K	2855000	12700000	1326400	5900000	280	340	0.22	1.00	3.10	0.67	4.70

Table 7 • Radial Load Ratings in Pounds at Various RPM for Appropriate L₁₀ Life Hours

Basic Unit Number	L ₁₀ Minimum Life (hours)	Radial Load Ratings, Pounds											
		Speed, RPM											
		50	100	200	300	400	500	600	700	800	900	1000	1200
23044	8000	*	*	*	57191	52462	49065	46453	44354	42612	41133	39853	37732
	20000	*	60406	49065	43445	39853	37272	35289	33694	32371	31247	30275	28663
	40000	60406	49065	39853	35289	32371	30275	28663	27368	26293	25380	24591	23282
	100000	45888	37272	30275	26807	24591	22998	21774	20790	19974	19280	18680	17686
23048	8000	*	*	*	58542	53701	50224	47551	45402	43619	42104	40794	
	20000	*	61833	50224	44472	40794	38153	36122	34490	33135	31985	30990	
	40000	61833	50224	40794	36122	33135	30990	29340	28014	26914	25980	25172	
	100000	46972	38153	30990	27440	25172	23542	22289	21281	20446	19736	19122	
23052	8000	*	*	*	72389	66403	62104	58798	56141	53936	52064		
	20000	*	76459	62104	54991	50444	47178	44666	42648	40973	39551		
	40000	76459	62104	50444	44666	40973	38320	36280	34641	33281	32125		
	100000	58082	47178	38320	33931	31126	29110	27561	26315	25282	24404		
23056	8000	*	*	*	77680	71257	66643	63096	60244	57879	55869		
	20000	*	82047	66643	59010	54131	50626	47931	45765	43968	42442		
	40000	82047	66643	54131	47931	43968	41121	38932	37173	35713	34473		
	100000	62328	50626	41121	36411	33401	31238	29575	28239	27130	26188		
23060	8000	*	*	*	97179	89144	83372	78934	75367	72407			
	20000	*	102642	83372	73823	67719	63334	59963	57253	55005			
	40000	102642	83372	67719	59963	55005	51443	48705	46504	44678			
	100000	77973	63334	51443	45551	41785	39079	36999	35327	33940			
23064	8000	*	*	*	99205	91003	85110	80580	76938	73917			
	20000	*	104783	85110	75362	69131	64655	61213	58447	56152			
	40000	104783	85110	69131	61213	56152	52516	49721	47474	45609			
	100000	79599	64655	52516	46501	42656	39894	37771	36064	34648			
23068	8000	*	*	*	115417	105874	99018	93748	89511				
	20000	*	121906	99018	87677	80428	75220	71216	67998				
	40000	121906	99018	80428	71216	65328	61098	57846	55231				
	100000	92607	75220	61098	54100	49627	46413	43943	41957				
23072	8000	*	*	*	121024	111017	103828	98302					
	20000	*	127827	103828	91936	84335	78874	74676					
	40000	127827	103828	84335	74676	68501	64065	60655					
	100000	97105	78874	64065	56728	52037	48668	46077					
23076	8000	*	*	*	126540	116077	108561	102782					
	20000	*	133654	108561	96127	88179	82469	78079					
	40000	133654	108561	88179	78079	71623	66986	63420					
	100000	101531	82469	66986	59314	54409	50886	48178					
23080	8000	*	*	*	150407	137970	129037	122168					
	20000	*	158863	129037	114258	104810	98024	92806					
	40000	158863	129037	104810	92806	85132	79620	75382					
	100000	120681	98024	79620	70501	64672	60484	57265					
23084	8000	*	*	*	147300	135120	126371						
	20000	*	155581	126371	111897	102645	95999						
	40000	155581	126371	102645	90889	83374	77975						
	100000	118188	95999	77975	69044	63335	59234						
23088	8000	*	*	*	159458	146273	136802						
	20000	*	168423	136802	121134	111118	103923						
	40000	168423	136802	111118	98391	90256	84411						
	100000	127944	103923	84411	74744	68563	64124						
23092	8000	*	*	*	174634	160194	149822						
	20000	*	184452	149822	132662	121693	113813						
	40000	184452	149822	121693	107755	98845	92445						
	100000	140120	113813	92445	81857	75089	70227						
23096	8000	*	*	*	192354	176449							
	20000	*	203168	165024	146123	134041							
	40000	203168	165024	134041	118689	108875							
	100000	154338	125362	101825	90163	82708							
230530	8000	*	*	*	222728	204312							
	20000	*	235250	191082	169197	155207							
	40000	235250	191082	155207	137431	126067							
	100000	178710	145157	117904	104400	95768							
230560	8000	*	*	*	253080	232154							
	20000	*	267308	217122	192254	176358							
	40000	267308	217122	176358	156159	143247							
	100000	203063	164938	133971	118627	108819							
230600	8000	*	*	*	275866								
	20000	*	291375	236670	209564								
	40000	291375	236670	192236	170219								
	100000	221345	179788	146034	129308								
230630	8000	*	*	*	298652								
	20000	*	315442	256219	226873								
	40000	315442	256219	208114	184279								
	100000	239628	194639	158096	139989								

Table 8 • Series PLB23100K and PLB23100 Load Ratings and Speed Limits

Basic Bearing Number				Co Static Load Rating		C Basic Load Rating		Approximate Speed Limit RPM		e	Fa/Fr ≤ e		Fa/Fr > e	
Adapter Mounted		Direct Shaft Mounted									X1	Y1	X2	Y2
Shaft Diameter (inches)	Number	Bearing Seat (mm)	Number	pounds	newtons	pounds	newtons	Grease	Oil					
8	23144K	NA	NA	609200	2710000	353000	1570000	710	950	0.30	1.00	2.20	0.67	3.30
8-15/16	23148K	NA	NA	697000	3100000	402500	1790000	670	850	0.30	1.00	2.20	0.67	3.30
9-7/16	23152K	260	23152	843000	3750000	485500	2160000	600	800	0.32	1.00	2.10	0.67	3.20
10-7/16	23156K	280	23156	899300	4000000	501500	2230000	560	750	0.30	1.00	2.20	0.67	3.30
10-15/16	23160K	300	23160	1079000	4800000	600500	2670000	500	670	0.31	1.00	2.20	0.67	3.30
11-15/16	23164K	320	23164	1236500	5500000	685700	3050000	480	600	0.31	1.00	2.10	0.67	3.20
12-7/16	23168K	340	23168	1483800	6600000	809500	3600000	430	560	0.31	1.00	2.10	0.67	3.20
13-7/16	23172K	360	23172	1596200	7100000	854500	3800000	400	530	0.31	1.00	2.20	0.67	3.20
13-15/16	23176K	380	23176	1708500	7600000	899200	4000000	400	500	0.30	1.00	2.20	0.67	3.30
15	23180K	400	23180	1776000	7900000	933000	4150000	380	480	0.29	1.00	2.30	0.67	3.40
15-3/4	23184K	420	23184	2113200	9400000	1124000	5000000	340	450	0.31	1.00	2.20	0.67	3.30
16-1/2	23188K	440	23188	2315500	10300000	1191500	5300000	320	430	0.30	1.00	2.20	0.67	3.30
17	23192K	460	23192	2450500	10900000	1281400	5700000	300	400	0.31	1.00	2.20	0.67	3.30
18	23196K	NA	NA	2630500	11700000	1360100	6050000	300	380	0.31	1.00	2.20	0.67	3.30
19-1/2	231530K	NA	NA	3169800	14100000	1607400	7150000	260	340	0.30	1.00	2.20	0.67	3.30
21	231560K	NA	NA	3484500	15500000	1764800	7850000	240	320	0.30	1.00	2.20	0.67	3.40

Table 9 • Radial Load Ratings in Pounds at Various RPM for Appropriate L₁₀ Life Hours

Basic Unit Number	L ₁₀ Minimum Life (hours)	Radial Load Ratings, Pounds									
		Speed, RPM									
		50	100	200	300	400	500	600	700	800	900
23144	8000	*	*	*	79481	72910	68189	64559	61641	59221	57165
	20000	*	83950	68189	60379	55386	51800	49043	46826	44988	43426
	40000	83950	68189	55386	49043	44988	42075	39835	38035	36541	35273
	100000	63773	51800	42075	37256	34175	31962	30261	28893	27759	26795
23148	8000	*	*	*	90627	83133	77750	73612	70285	67525	
	20000	*	95722	77750	68845	63153	59064	55920	53393	51296	
	40000	95722	77750	63153	55920	51296	47975	45421	43368	41665	
	100000	72716	59064	47975	42480	38967	36444	34504	32945	31651	
23152	8000	*	*	*	109315	100276	93783	88792	84779	81450	
	20000	*	115461	93783	83042	76176	71243	67451	64403	61874	
	40000	115461	93783	76176	67451	61874	57868	54787	52311	50257	
	100000	87711	71243	57868	51240	47003	43960	41620	39739	38178	
23156	8000	*	*	*	112918	103581	96874	91718	87573		
	20000	*	119266	96874	85779	78686	73591	69674	66525		
	40000	119266	96874	78686	69674	63913	59775	56593	54035		
	100000	90601	73591	59775	52928	48552	45408	42991	41048		
23160	8000	*	*	*	135209	124029	115998	109823			
	20000	*	142810	115998	102712	94219	88119	83428			
	40000	142810	115998	94219	83428	76530	71575	67765			
	100000	108487	88119	71575	63377	58137	54372	51478			
23164	8000	*	*	*	154392	141626	132456	125405			
	20000	*	163072	132456	117285	107587	100621	95265			
	40000	163072	132456	107587	95265	87388	81730	77379			
	100000	123879	100621	81730	72369	66385	62087	58782			
23168	8000	*	*	*	182267	167196	156370				
	20000	*	192514	156370	138461	127012	118788				
	40000	192514	156370	127012	112465	103166	96486				
	100000	146245	118788	96486	85435	78371	73296				
23172	8000	*	*	*	192399	176491	165063				
	20000	*	203216	165063	146158	134072	125391				
	40000	203216	165063	134072	118717	108901	101849				
	100000	154375	125391	101849	90184	82727	77371				
23176	8000	*	*	*	202464	185723	173697				
	20000	*	213846	173697	153803	141086	131950				
	40000	213846	173697	141086	124927	114597	107177				
	100000	162450	131950	107177	94902	87055	81418				
23180	8000	*	*	*	210074	192704					
	20000	*	221885	180226	159585	146389					
	40000	221885	180226	146389	129623	118905					
	100000	168556	136910	111206	98469	90327					
23184	8000	*	*	*	253080	232154					
	20000	*	267308	217122	192254	176358					
	40000	267308	217122	176358	156159	143247					
	100000	203063	164938	133971	118627	108819					
23188	8000	*	*	*	268278	246096					
	20000	*	283361	230160	203800	186948					
	40000	283361	230160	186948	165537	151849					
	100000	215257	174843	142017	125751	115353					
23192	8000	*	*	*	288520	264664					
	20000	*	304741	247526	219176	201054					
	40000	304741	247526	201054	178027	163306					
	100000	231499	188035	152732	135239	124057					
23196	8000	*	*	*	306240						
	20000	*	323457	262729	232638						
	40000	323457	262729	213402	188961						
	100000	245717	199584	162112	143545						
231530	8000	*	*	*	361922						
	20000	*	382269	310499	274937						
	40000	382269	310499	252204	223318						
	100000	290394	235873	191589	169645						
231560	8000	*	*	*	397362						
	20000	*	419702	340904	301859						
	40000	419702	340904	276900	245186						

Table 10 • Series PLB23200K and PLB23200 Load Ratings and Speed Limits

Basic Bearing Number				Co Static Load Rating		C Basic Load Rating		Approximate Speed Limit RPM		e	Fa/Fr ≤ e		Fa/Fr > e	
Adapter Mounted		Direct Shaft Mounted									X1	Y1	X2	Y2
Shaft Diameter (inches)	Number	Bearing Seat (mm)	Number	pounds	newtons	pounds	newtons	Grease	Oil					
8	23244K	NA	NA	764500	3400000	454000	2020000	670	900	0.35	1.00	1.90	0.67	2.90
8-15/16	23248K	240	23248	910500	4050000	548500	2440000	630	800	0.37	1.00	4.80	0.67	2.70
9-7/16	23252K	260	23252	1022900	4550000	616000	2740000	560	750	0.37	1.00	1.80	0.67	2.70
10-7/16	23256K	280	23256	1101600	4900000	647500	2880000	530	670	0.35	1.00	1.90	0.67	2.90
10-15/16	23260K	300	23260	1326400	5900000	764500	3400000	480	630	0.35	1.00	1.90	0.67	2.90
11-15/16	23264K	320	23264	1551200	6900000	877000	3900000	450	600	0.36	1.00	1.90	0.67	2.80
12-7/16	23268K	340	23268	1753500	7800000	989200	4400000	400	530	0.36	1.00	1.90	0.67	2.80
13-7/16	23272K	360	23272	1922100	8550000	1079000	4800000	380	500	0.36	1.00	1.90	0.67	2.80
13-15/16	23276K	380	23276	2068500	9200000	1157800	5150000	360	480	0.35	1.00	1.90	0.67	2.90
15	23280K	400	23280	2338000	10400000	1303900	5800000	340	450	0.36	1.00	1.90	0.67	2.80
15-3/4	23284K	420	23284	2630500	11700000	1450000	6450000	320	430	0.35	1.00	1.90	0.67	2.90
16-1/2	23288K	440	23288	2877500	12800000	1551200	6900000	300	400	0.35	1.00	1.90	0.67	2.90
17	23292K	460	23292	3080000	13700000	1652400	7350000	280	380	0.36	1.00	1.90	0.67	2.80
18	23296K	NA	NA	3237500	14400000	1764800	7850000	260	360	0.36	1.00	1.90	0.67	2.80

Table 11 • Radial Load Ratings in Pounds at Various RPM for Appropriate L₁₀ Life Hours

Basic Unit Number	L ₁₀ Minimum Life (hours)	Radial Load Ratings, Pounds									
		Speed, RPM									
		50	100	200	300	400	500	600	700	800	900
23244	8000	*	*	*	102223	93770	87699	83031	79278	76165	73521
	20000	*	107970	87699	77654	71233	66621	63075	60224	57859	55851
	40000	107970	87699	71233	63075	57859	54113	51233	48917	46996	45365
	100000	82020	66621	54113	47915	43953	41107	38919	37160	35701	34462
23248	8000	*	*	*	123500	113289	105953	100313	95780	92019	
	20000	*	130443	105953	93818	86061	80488	76204	72760	69903	
	40000	130443	105953	86061	76204	69903	65377	61897	59100	56779	
	100000	99092	80488	65377	57889	53102	49664	47020	44895	43132	
23252	8000	*	*	*	138699	127230	118992	112658	107567		
	20000	*	146496	118992	105363	96651	90393	85582	81714		
	40000	146496	118992	96651	85582	78505	73422	69514	66372		
	100000	111287	90393	73422	65013	59637	55776	52807	50420		
23256	8000	*	*	*	145791	133736	125077	118419			
	20000	*	153987	125077	110751	101594	95015	89958			
	40000	153987	125077	101594	89958	82520	77177	73069			
	100000	116978	95015	77177	68337	62687	58628	55507			
23260	8000	*	*	*	172135	157902	147677	139817			
	20000	*	181812	147677	130764	119951	112184	106213			
	40000	181812	147677	119951	106213	97431	91122	86272			
	100000	138115	112184	91122	80686	74014	69222	65537			
23264	8000	*	*	*	197465	181138	169409	160392			
	20000	*	208567	169409	150006	137603	128693	121843			
	40000	208567	169409	137603	121843	111768	104531	98967			
	100000	158439	128693	104531	92559	84906	79408	75181			
23268	8000	*	*	*	222728	204312	191082				
	20000	*	235250	191082	169197	155207	145157				
	40000	235250	191082	155207	137431	126067	117904				
	100000	178710	145157	117904	104400	95768	89567				
23272	8000	*	*	*	242948	222859	208429				
	20000	*	256606	208429	184557	169297	158335				
	40000	256606	208429	169297	149907	137512	128608				
	100000	194933	158335	128608	113878	104462	97698				
23276	8000	*	*	*	260690	239135					
	20000	*	275346	223651	198035	181661					
	40000	275346	223651	181661	160855	147554					
	100000	209169	169898	138000	122195	112091					
23280	8000	*	*	*	293586	269311					
	20000	*	310092	251873	223025	204584					
	40000	310092	251873	204584	181153	166174					
	100000	235563	191337	155414	137614	126235					
23284	8000	*	*	*	326482	299487					
	20000	*	344837	280095	248015	227507					
	40000	344837	280095	227507	201450	184793					
	100000	261958	212776	172828	153033	140380					
23288	8000	*	*	*	349268	320389					
	20000	*	368904	299643	265324	243386					
	40000	368904	299643	243386	215510	197691					
	100000	280241	227626	184890	163714	150177					
23292	8000	*	*	*	372054						
	20000	*	392971	319192	282634						
	40000	392971	319192	259264	229570						
	100000	298524	242477	196952	174395						
23296	8000	*	*	*	397362						
	20000	*	419702	340904	301859						
	40000	419702	340904	276900	245186						
	100000	318830	258970	210349	186257						

PLB6800, PLB6800F, PLB6600F

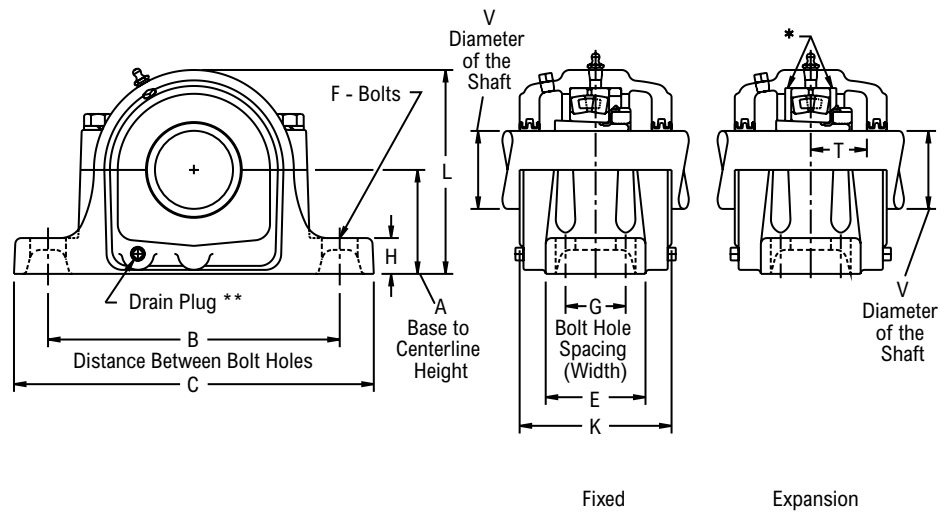
Interchange: USAF 500, SAF22500



Photo Shows a 2-Bolt Spherical Roller Bearing Two-Piece Pillow Block Unit

Product Features

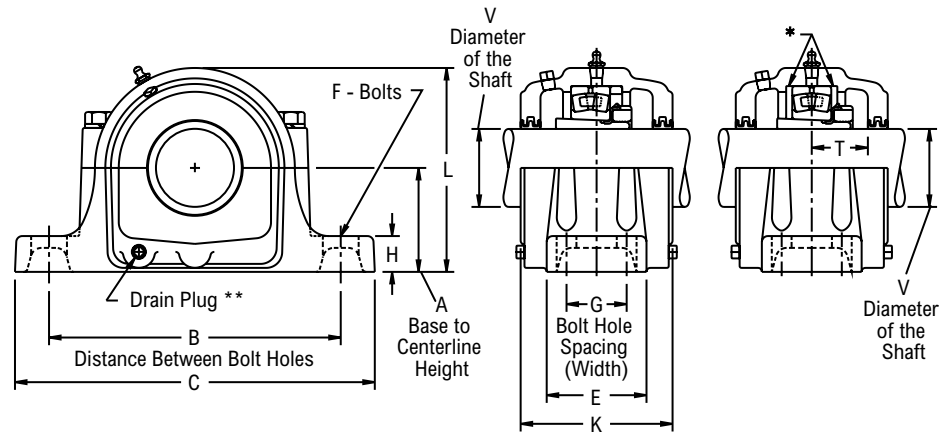
- Corrosion-resistant powder coating
- Two piece cast iron housing
- Broad range of sealing options
- Fixed or Expansion - up to 3/8 in expansion
- Matched base & cap
- Large reservoir for grease or oil storage
- Tapered adapter mounted
- See Features and Benefits for additional info on pages 224 - 225.



Bearing Dimensions

Size Code	V Shaft Diameter	Part Number	A Base to Centerline Height	B Min. Distance Between Bolt Holes	B Max. Distance Between Bolt Holes	G Bolt Hole Spacing (Width)	C	E	F Bolts	H	K	L	P	T	Approx. Weight	
Two-Bolt Pillow Block																
22209	1 7/16	PLB6823R	2 1/4	6 1/4	7	-	8 1/4	2 3/8	1/2	13/16	3 5/8	4 3/8	6 1/4	1 1/16	11.00	
	1 1/2	PLB6824R*														40.00
22210	1 11/16	PLB6827R	2 1/2	6 1/2	7	-	8 1/4	2 3/8	1/2	15/16	3 5/8	4 3/4	6 5/8	1 1/8	12.00	
	1 3/4	PLB6828R*														45.00
22211	1 15/16	PLB6831R	2 3/4	7 3/8	7 7/8	-	9 5/8	2 3/4	5/8	15/16	3 7/8	5 1/4	7 1/4	1 3/16	14.00	
	2	PLB6832R														50.00
22213	2 3/16	PLB6835R	3	8 1/8	9 1/2	-	11	3 1/4	5/8	1	4 3/8	5 15/16	8 1/4	1 13/32	22.00	
	60.00	PLB68M60R*														76.20
22215	2 7/16	PLB6839R	3 1/4	8 5/8	9 5/8	-	11 1/4	3 1/8	5/8	1 1/8	4 3/4	6 3/8	8 3/8	1 15/32	27.00	
	65.00	PLB68M65R														82.55
22216	2 11/16	PLB6843R	3 1/2	9 5/8	11	-	13	3 1/2	3/4	1 1/4	5 1/4	7	9 1/2	1 1/2	38.00	
	70.00	PLB68M70R														88.90
22217	2 15/16	PLB6847R	3 3/4	9 7/8	11	-	13	3 1/2	3/4	1 1/4	5	7 5/16	10	1 19/32	42.00	
	3	PLB6848R														75.00
22218	3 3/16	PLB6851R	4	10 1/4	11 3/4	-	13 3/4	3 7/8	3/4	1 5/16	5 7/8	7 15/16	10 1/2	1 3/4	47.00	
	80.00	PLB68M80R														101.60
22220	3 7/16	PLB6855R	4 1/2	11 5/8	13 1/8	-	15 1/4	4 3/8	7/8	1 1/2	6	8 7/8	11 3/4	1 29/32	71.00	
	3 1/2	PLB6856R														90.00
Four-Bolt Pillow Block																
22215	2 7/16	PLB6839FR	3 1/4	8 5/8	9 5/8	1 7/8	11 1/4	3 1/8	1/2	1 1/8	4 3/4	6 3/8	8 3/8	1 15/32	27.00	
	65.00	PLB68M65FR														82.55
22216	2 11/16	PLB6843FR	3 1/2	9 5/8	11	2	13	3 1/2	5/8	1 1/4	5 1/4	7	9 1/2	1 1/2	38.00	
	70.00	PLB68M70FR														88.90
22217	2 15/16	PLB6847FR	3 3/4	9 7/8	11	2	13	3 1/2	5/8	1 1/4	5	7 5/16	10	1 19/32	42.00	
	3	PLB6848FR														75.00
22218	3 3/16	PLB6851FR	4	10 3/8	11 5/8	2 1/8	13 3/4	3 7/8	5/8	1 5/16	5 7/8	7 15/16	10 1/2	1 3/4	47.00	
	80.00	PLB68M80FR														101.60
22220	3 7/16	PLB6855FR	4 1/2	11 5/8	13 1/8	2 3/8	15 1/4	4 1/2	3/4	1 1/2	6	8 7/8	11 3/4	1 29/32	71.00	
	3 1/2	PLB6856FR														

Continued...



Fixed

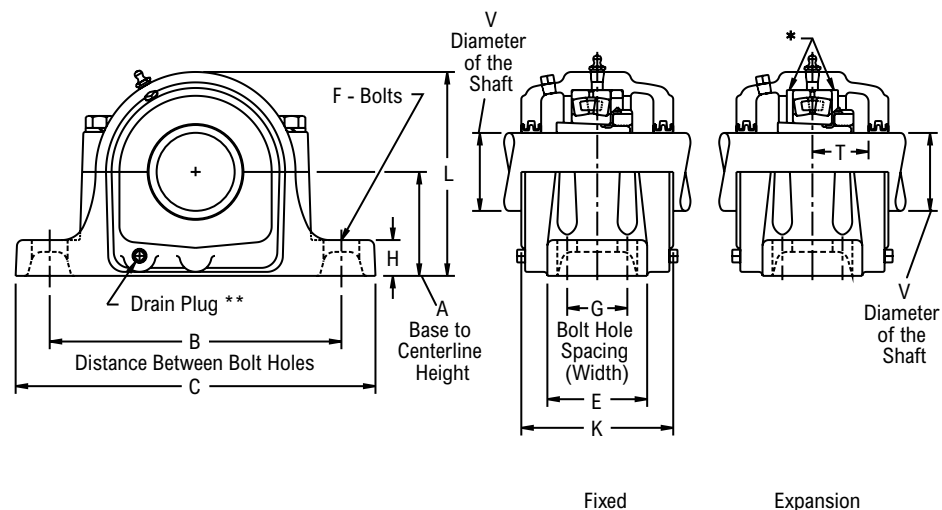
Expansion

Continued...

Bearing Dimensions

Size Code	V Shaft Diameter	Part Number	A Base to Centerline Height	B Min. Distance Between Bolt Holes	B Max. Distance Between Bolt Holes	G Bolt Hole Spacing (Width)	C	E	F Bolts	H	K	L	P	T	Approx. Weight								
Four-Bolt Pillow Block (continued)																							
22220	90.00	PLB68M90FR	114.30	295.30	333.40	60.30	387.40	114.30	20.00	38.10	152.40	225.40	298.40	48.40	30.80								
22222	3 11/16	PLB6859FR	4 15/16	12 5/8	14 1/2	2 3/4	16 1/2	4 3/4	3/4	2	6 1/2	9 5/8	12 1/4	2 1/8	87.00								
	3 15/16	PLB6863FR																					
	4	PLB6864FR																					
22224	100.00	PLB68M100FR	125.41	320.70	368.30	69.80	419.10	120.60	20.00	50.80	165.10	244.50	311.20	54.00	39.50								
	4 3/16	PLB6867FR	5 1/4	13 1/4	14 1/2	2 3/4	16 1/2	4 3/4	3/4	1 3/4	7 1/8	10 7/16	13 1/2	2 9/32	104.00								
22226	110.00	PLB68M110FR	133.35	336.60	368.30	69.80	419.10	120.60	20.00	44.40	181.00	265.10	342.90	57.90	47.20								
	4 7/16	PLB6871FR	6	14 5/8	16	3 1/4	18 3/8	5 1/8	7/8	2 3/8	7 3/4	11 11/32	14 1/2	2 15/32	149.00								
	4 1/2	PLB6872FR																					
22228	115.00	PLB68M115FR	152.40	371.50	406.40	82.60	466.70	130.20	24.00	60.33	196.80	288.10	368.30	62.70	63.50								
	4 15/16	PLB6879FR	6	16	17 1/8	3 3/8	20 1/8	5 7/8	1	2 3/8	7 3/4	11 13/16	15 1/2	2 5/8	167.00								
5	PLB6880FR																						
22230	125.00	PLB68M125FR	152.40	406.40	435.00	85.70	511.20	149.20	24.00	60.33	196.80	300.00	393.70	66.70	71.20								
	5 3/16	PLB6883FR	6 5/16	17	18 1/4	3 3/4	21 1/4	6 1/4	1	2	8 1/8	12 9/16	16	2 3/4	187.00								
22232	135.00	PLB68M135FR	160.34	431.80	463.60	95.20	539.80	158.80	24.00	50.80	206.40	319.10	406.40	69.80	84.80								
	5 7/16	PLB6887FR	6 11/16	17 3/8	19 1/4	3 3/4	22	6 1/4	1	2 5/8	8 1/2	13 3/8	17	2 31/32	221.00								
22234	140.00	PLB68M140FR	169.86	441.30	489.00	95.20	558.80	158.80	24.00	66.68	215.90	339.70	431.80	75.40	94.80								
	5 15/16	PLB6895FR	7 1/16	19 3/8	21 5/8	4 1/4	24 3/4	6 3/4	1	2 3/4	9 1/4	14 1/4	18	3 1/8	280.00								
	6	PLB6896FR																					
22236	150.00	PLB68M150FR	179.39	492.10	549.30	108.00	628.60	171.40	24.00	69.85	235.00	362.00	457.20	79.40	119.80								
	6 7/16	PLB68103FR	7 1/2	20 7/8	23 5/8	4 5/8	26 3/4	7 1/8	1	3	9 7/8	14 15/16	18 3/4	3 5/32	304.00								
	6 1/2	PLB68104FR																					
22238	160.00	PLB68M160FR	190.50	530.20	600.10	117.50	679.40	181.00	24.00	76.20	250.83	379.40	476.20	80.20	137.90								
	6 15/16	PLB68111FR	7 7/8	21 5/8	24 3/8	4 1/2	28	7 1/2	1 1/4	3 1/8	10 5/8	15 13/16	20 1/2	3 5/16	370.00								
7	PLB68112FR																						
22240	170.00	PLB68M170FR	200.02	549.30	619.10	114.30	711.20	190.50	30.00	79.38	269.88	401.60	520.70	84.10	167.80								
	7 3/16	PLB68115FR	8 1/4	22 1/2	25	5	29 1/2	8	1 1/4	2 3/8	11	16 3/4	22 1/4	3 17/32	450.00								
	180.00	PLB68M180FR	209.55	571.50	635.00	127.00	749.30	203.20	30.00	60.30	279.40	425.40	565.20	89.70	204.10								
22244	7 1/2	PLB68120FR	9 1/2	24 3/4	27 7/8	5 1/4	32 3/4	8 3/4	1 1/2	3 3/4	11 3/16	18 9/16	24 1/2	3 13/16	675.00								
	7 15/16	PLB22544K71516														11 7/8	18 5/8	-	-				
		PLB68127FR																		11 3/16	18 9/16	24 1/2	3 13/16
		PLB22544K8																					
	8	PLB68128FR														11 3/16	18 9/16	24 1/2	3 13/16				
200.00	PLB68M200FR	241.30	628.60	708.00	133.40	831.80	222.20	36.00	95.25	284.20	471.50	622.30	96.80	301.60									

Continued...



Continued...

Bearing Dimensions

Size Code	V Shaft Diameter	Part Number	A Base to Centerline Height	B Min. Distance Between Bolt Holes	B Max. Distance Between Bolt Holes	G Bolt Hole Spacing (Width)	C	E	F Bolts	H	K	L	P	T	Approx. Weight
Four-Bolt Pillow Block (continued)															
22248	8 7/16	PLB22548K8716	10 1/4	29	30 1/2	8 3/4	35	14 1/2	1 5/8	3 3/4	14 1/8	20 1/2	-	-	1,000.00
	8 15/16	PLB22548K81516													
23048	8 7/16	PLB66135FR	8 1/4	22 1/2	25	5	29 1/2	8	1 1/4	2 3/8	11	16 3/4	22 1/4	3 13/16	430.00
	8 1/2	PLB66136FR													
	9	PLB66144FR													
	220.00	PLB66M220FR	209.55	571.50	635.00	127.00	749.30	203.20	30.00	60.30	279.40	425.40	565.20	96.80	195.00
23056	9 15/16	PLB66159FR	9 1/2	24 3/4	27 7/8	5 1/4	32 3/4	8 3/4	1 1/2	3 3/4	11 3/4	19 1/16	24 1/2	4 1/4	540.00
	10	PLB66160FR													530.00
	10 7/16	PLB66167FR													515.00
	10 1/2	PLB66168FR													510.00
	9 7/16	PLB66B151FR													550.00
	9 1/2	PLB66B152FR													545.00
260.00	PLB66M260FR	241.30	628.60	708.00	133.40	831.80	222.20	36.00	95.25	298.40	484.20	622.30	108.00	247.20	

Additional Notes

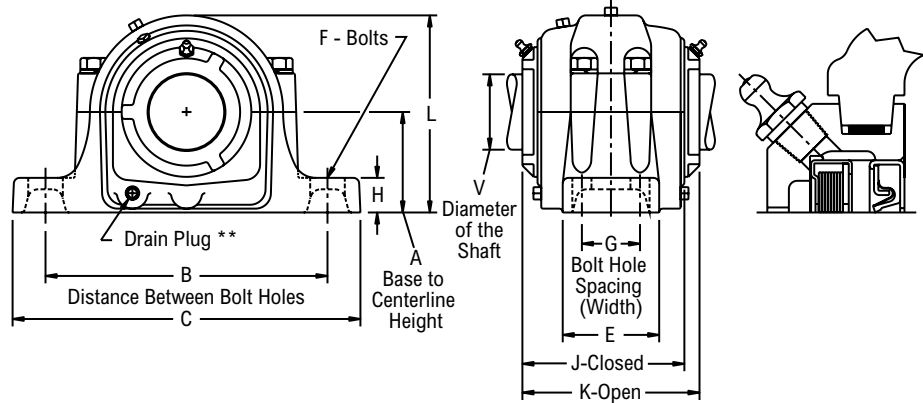
Please call 1-866-REXNORD for availability
 Lubrication fitting tap size: for 4 1/2 in (115 mm) and smaller shaft sizes, 1/8 in PT: for all other shaft sizes, 1/4 in PT
 Expansion - is 1/4 in for 1 3/4 in (40 mm) and smaller shaft sizes: all other shaft sizes provide 3/8"
 Drain plug tap size - for 3 3/16 in (80 mm) and smaller shaft sizes, 1/8 in PT: for 3 7/16 in (90 mm) thru 6 in (150 mm), 1/4 in PT: for all other shaft sizes, 1/2 in PT
 Minimum extension of shaft beyond locknut, .06 in for closed end unit

Dimension "P" is recommended dimension for cap removal
 Multi-labyrinth seals standard
 All shaft sizes available with type D5 Pentac seals except when marked with a "*" .
 For the Selection Guide, Load Ratings and Speed Limits, see the Link-Belt Split Housed Spherical Roller Bearings Engineering section on pages 228 - 241.
 Note: Dimensions subject to change. Certified dimensions of ordered material furnished on request.

PLB6800D8, PLB6800FD8, PLB6600FD8



Photo Shows a 2-Bolt Spherical Roller Bearing Two-Piece Pillow Block Unit with Independently Flushable Seals



Product Features

- Corrosion-resistant powder coating
- Two piece cast iron housing
- Independently flushable seals
- Fixed or Expansion - up to 3/8 in expansion
- Matched base & cap
- Large reservoir for grease or oil storage
- Tapered adapter mounted
- See Features and Benefits for additional info on pages 224 - 225.

Bearing Dimensions

Size Code	V Shaft Diameter	Part Number	A Base to Centerline Height	B Min. Distance Between Bolt Holes	B Max. Distance Between Bolt Holes	G Bolt Hole Spacing (Width)	C	E	F Bolts	H	J	K	L	P	Approx. Weight
Two-Bolt Pillow Block															
22209	1 7/16	PLB6823D8	2 1/4	6 1/4	7	-	8 1/4	2 3/8	1/2	13/16	4 7/16	5	4 3/8	6 1/4	12.00
	1 1/2	PLB6824D8													11.00
22210	1 11/16	PLB6827D8	2 1/2	6 1/2	7	-	8 1/4	2 3/8	1/2	15/16	4 13/32	4 15/16	4 3/4	6 5/8	13.00
22211	1 15/16	PLB6831D8	2 3/4	7 3/8	7 7/8	-	9 5/8	2 3/4	5/8	15/16	4 23/32	5 5/16	5 1/4	7 1/4	16.00
22213	2 3/16	PLB6835D8	3	8 1/8	9 1/2	-	11	3 1/4	5/8	1	5 1/8	5 5/8	5 15/16	8 1/4	24.00
22215	2 7/16	PLB6839D8	3 1/4	8 5/8	9 5/8	-	11 1/4	3 1/8	5/8	1 1/8	5 17/32	5 15/16	6 3/8	8 3/8	30.00
22216	2 11/16	PLB6843D8	3 1/2	9 5/8	11	-	13	3 1/2	3/4	1 1/4	6 1/32	6 9/16	7	9 1/2	38.00
22217	2 15/16	PLB6847D8	3 3/4	9 7/8	11	-	13	3 1/2	3/4	1 1/4	5 11/16	6 3/8	7 5/16	10	47.00
	3	PLB6848D8													42.00
22220	3 7/16	PLB6855D8	4 1/2	11 5/8	13 1/8	-	15 1/4	4 3/8	7/8	1 1/2	6 21/32	7 5/16	8 7/8	11 3/4	79.00
Four-Bolt Pillow Block															
22215	2 7/16	PLB6839FD8	3 1/4	8 5/8	9 5/8	1 7/8	11 1/4	3 1/8	1/2	1 1/8	5 17/32	5 15/16	6 3/8	8 3/8	30.00
22217	2 15/16	PLB6847FD8	3 3/4	9 7/8	11	2	13	3 1/2	5/8	1 1/4	5 11/16	6 3/8	7 5/16	10	47.00
22220	3 7/16	PLB6855FD8	4 1/2	11 5/8	13 1/8	2 3/8	15 1/4	4 1/2	3/4	1 1/2	6 21/32	7 5/16	8 7/8	11 3/4	79.00
22222	3 11/16	PLB6859FD8	4 15/16	12 5/8	14 1/2	2 3/4	16 1/2	4 3/4	3/4	2	7 7/32	7 15/16	9 5/8	12 1/4	98.00
	3 15/16	PLB6863FD8													
22224	4 3/16	PLB6867FD8	5 1/4	13 1/4	14 1/2	2 3/4	16 1/2	4 3/4	3/4	1 3/4	7 31/32	8 9/16	10 7/16	13 1/2	116.00
22226	4 7/16	PLB6871FD8	6	14 5/8	16	3 1/4	18 3/8	5 1/8	7/8	2 3/8	8 31/64	9 7/32	11 19/32	14 1/2	165.00
22228	4 15/16	PLB6879FD8	6	16	17 1/8	3 3/8	20 1/8	5 7/8	1	2 3/8	8 7/32	8 15/16	11 13/16	15 1/2	184.00
22232	5 7/16	PLB6887FD8	6 11/16	17 3/8	19 1/4	3 3/4	22	6 1/4	1	2 5/8	9 5/32	9 13/16	13 3/8	17	244.00
22234	5 15/16	PLB6895FD8	7 1/16	19 3/8	21 5/8	4 1/4	24 3/4	6 3/4	1	2 3/4	10 1/8	11	14 1/4	18	309.00
	6	PLB6896FD8													
22236	6 7/16	PLB68103FD8	7 1/2	20 7/8	23 5/8	4 5/8	26 3/4	7 1/8	1	3	10 11/16	11 3/8	14 15/16	18 3/4	322.00
	6 1/2	PLB68104FD8													
22238	6 15/16	PLB68111FD8	7 7/8	21 5/8	24 3/8	4 1/2	28	7 1/2	1 1/4	3 1/8	11 11/32	12 1/16	15 13/16	20 1/2	411.00
	7	PLB68112FD8													
22244	7 1/2	PLB68120FD8	9 1/2	24 3/4	27 7/8	5 1/4	32 3/4	8 3/4	1 1/2	3 3/4	12 3/16	13 3/16	18 9/16	24 1/2	750.00
	7 15/16	PLB68127FD8													
	8	PLB68128FD8													
23048	8 7/16	PLB66135FD8	8 1/4	22 1/2	25	5	29 1/2	8	1 1/4	2 3/8	12 1/32	12 11/16	16 3/4	22 1/4	478.00
	8 1/2	PLB66136FD8													
	9	PLB66144FD8													

Additional Notes

- Please call 1-866-REXNORD for availability
- Lubrication fitting tap size: for 4 1/2 in (115 mm) and smaller shaft sizes, 1/8 in PT: for all other shaft sizes, 1/4 in PT
- Seal assembly lubrication fitting tap size: for 1 3/4 in and smaller shaft sizes, 1/4-28 UNF: for all other shaft sizes, 1/8 in PT
- Recommended shaft finish under D8 seals, 10-20 micro inches
- Expansion - is 1/4 in for 1 3/4 in (40 mm) and smaller shaft sizes: all other shaft sizes provide 3/8 in

- Drain plug tap size - for 3 3/16 in (80 mm) and smaller shaft sizes, 1/8 in PT: for 3 7/16 in (90 mm) thru 6 in (150 mm), 1/4 in PT: for all other shaft sizes, 1/2 in PT
- Minimum extension of shaft beyond locknut, .06 in for closed end unit
- Dimension "P" is recommended dimension for cap removal
- Taconite seals standard
- For the Selection Guide, Load Ratings and Speed Limits, see the Link-Belt Split Housed Spherical Roller Bearings Engineering section on pages 228 - 241.
- Note: Dimensions subject to change. Certified dimensions of ordered material furnished on request.

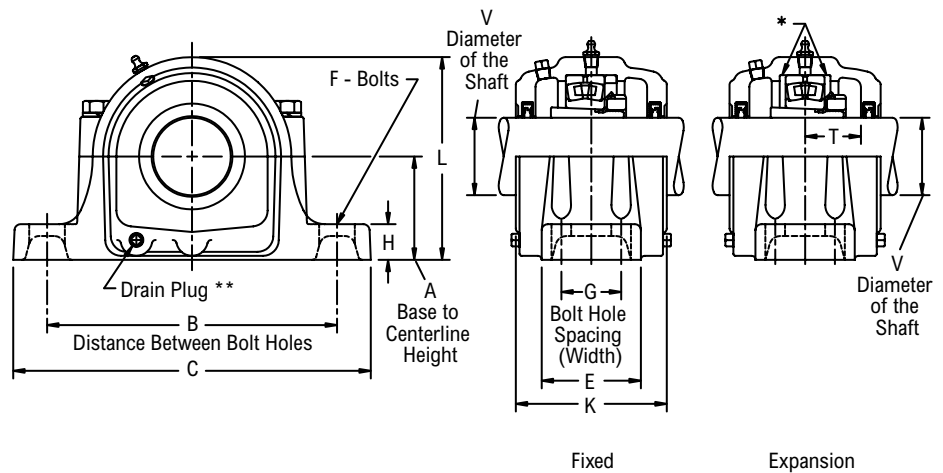
BPLB6800



Photo Shows a 2-Bolt Spherical Roller Bearing Two-Piece Pillow Block Unit

Product Features

- Corrosion-resistant nylon coating
- Two piece cast iron housing
- Stainless steel hardware
- Patented T contact water seal
- Fixed or Expansion - up to 3/8 in expansion
- Matched base & cap
- Large reservoir for grease or oil storage
- Tapered adapter mounted
- See Features and Benefits for additional info on pages 224 - 225.



Bearing Dimensions

Size Code	V Shaft Diameter	Part Number	A Base to Centerline Height	B Min. Distance Between Bolt Holes	B Max. Distance Between Bolt Holes	G Bolt Hole Spacing (Width)	C	E	F Bolts	H	K	L	P	T	Approx. Weight
Two-Bolt Pillow Block															
22209	1 7/16	BPLB6823	2 1/4	6 1/4	7	-	8 1/4	2 3/8	1/2	13/16	3 5/8	4 3/8	6 1/4	1 1/16	11.00
22213	2 3/16	BPLB6835	3	8 1/8	9 1/2	-	11	3 1/4	5/8	1	4 3/8	5 15/16	8 1/4	1 13/32	22.00
22215	2 7/16	BPLB6839	3 1/4	8 5/8	9 5/8	-	11 1/4	3 1/8	5/8	1 1/8	4 3/4	6 3/8	8 3/8	1 15/32	27.00
22216	2 11/16	BPLB6843	3 1/2	9 5/8	11	-	13	3 1/2	3/4	1 1/4	5 1/4	7	9 1/2	1 1/2	38.00
22217	2 15/16	BPLB6847	3 3/4	9 7/8	11	-	13	3 1/2	3/4	1 1/4	5	7 5/16	10	1 19/32	42.00
22218	3 3/16	BPLB6851	4	10 1/4	11 3/4	-	13 3/4	3 7/8	3/4	1 5/16	5 7/8	7 15/16	10 1/2	1 3/4	47.00
Four-Bolt Pillow Block															
22215	2 7/16	BPLB6839F	3 1/4	8 5/8	9 5/8	1 7/8	11 1/4	3 1/8	1/2	1 1/8	4 3/4	6 3/8	8 3/8	1 15/32	27.00
22216	2 11/16	BPLB6843F	3 1/2	9 5/8	11	2	13	3 1/2	5/8	1 1/4	5 1/4	7	9 1/2	1 1/2	38.00
22217	2 15/16	BPLB6847F	3 3/4	9 7/8	11	2	13	3 1/2	5/8	1 1/4	5	7 5/16	10	1 19/32	42.00
22218	3 3/16	BPLB6851F	4	10 3/8	11 5/8	2 1/8	13 3/4	3 7/8	5/8	1 5/16	5 7/8	7 15/16	10 1/2	1 3/4	47.00
22222	3 15/16	BPLB6863F	4 15/16	12 5/8	14 1/2	2 3/4	16 1/2	4 3/4	3/4	2	6 1/2	9 5/8	12 1/4	2 1/8	87.00
22226	4 1/2	BPLB6872F	6	14 5/8	16	3 1/4	18 3/8	5 1/8	7/8	2 3/8	7 3/4	11 11/32	14 1/2	2 15/32	149.00
22228	4 15/16	BPLB6879F	6	16	17 1/8	3 3/8	20 1/8	5 7/8	1	2 3/8	7 3/4	11 13/16	15 1/2	2 5/8	167.00

Additional Notes

- Please call 1-866-REXNORD for availability
- Lubrication fitting tap size: for 4 1/2 in and smaller shaft sizes, 1/8 in PT; for all other shaft sizes, 1/4 in PT
- Expansion - is 1/4 in for 1 7/16 in : all other shaft sizes provide 3/8 in
- Drain plug tap size - for 3 3/16 in and smaller shaft sizes, 1/8 in PT; for all other shaft sizes, 1/4 in PT
- Minimum extension of shaft beyond locknut, .06 in for closed end unit
- Dimension "P" is recommended dimension for cap removal

- Exclusive T water seals standard
- For the Selection Guide, Load Ratings and Speed Limits, see the Link-Belt Split Housed Spherical Roller Bearings Engineering section on pages 228 - 241.
- Note: Dimensions subject to change. Certified dimensions of ordered material furnished on request.

PKLB6800F, PKLB6600F

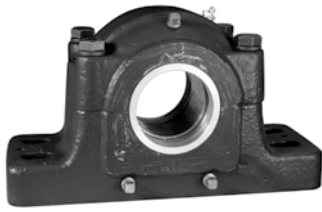
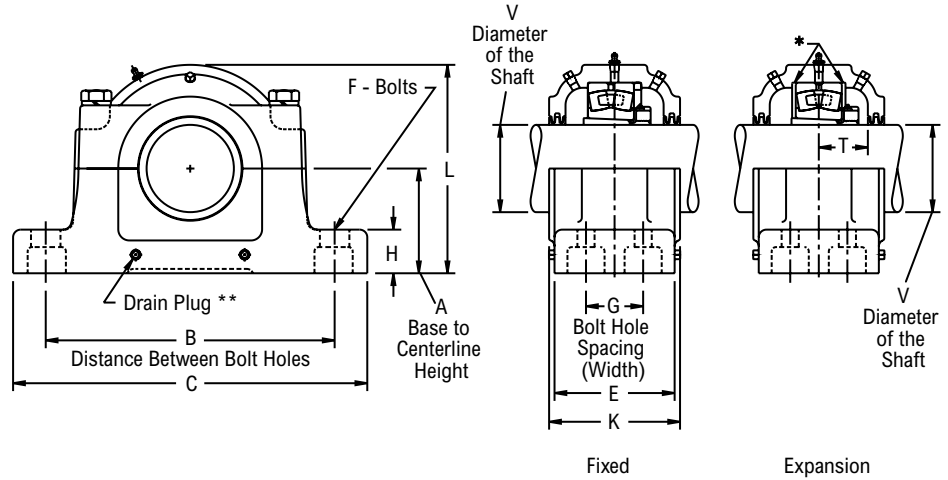


Photo Shows a 4-Bolt Spherical Roller Bearing Two-Piece Pillow Block Unit

Product Features

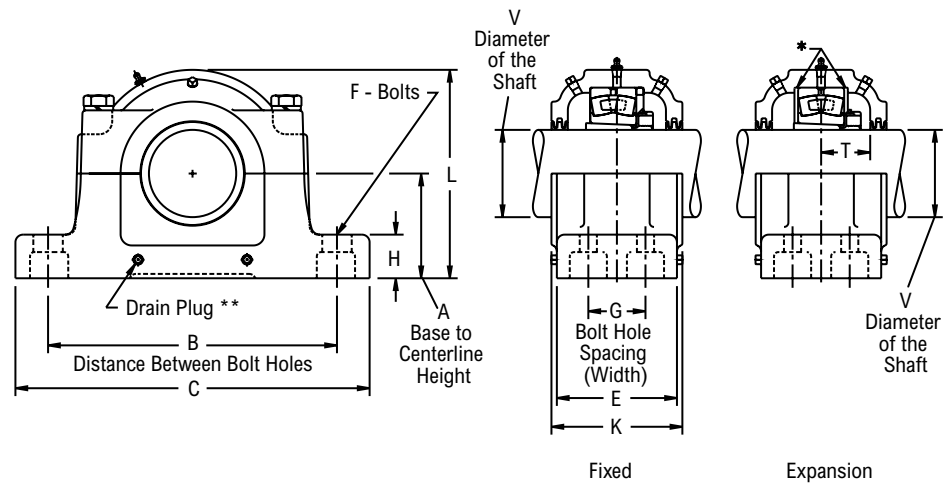
- Corrosion-resistant powder coating
- Two piece cast steel housing
- Broad range of sealing options
- Fixed or Expansion - up to 3/8 in expansion
- Matched base & cap
- Large reservoir for grease or oil storage
- Tapered adapter mounted
- See Features and Benefits for additional info on pages 224 - 225.



Bearing Dimensions

Size Code	V Shaft Diameter	Part Number	A Base to Centerline Height	B Min. Distance Between Bolt Holes	B Max. Distance Between Bolt Holes	G Bolt Hole Spacing (Width)	C	E	F Bolts	H	K	L	P	T	Approx. Weight
22215	2 7/16	PKLB6839FR	3 1/4	8 5/8	9 5/8	1 7/8	11 1/4	4 3/8	1/2	1 1/2	4 3/4	6 3/8	10 1/4	1 15/32	37.00
	65.00	PKLB68M65FR	82.55	219.10	244.50	47.60	285.80	111.10	12.00	38.10	120.60	161.90	260.40	37.30	16.80
22216	2 11/16	PKLB6843FR	3 1/2	9 5/8	11	2	13	4 7/8	5/8	1 5/8	5 1/4	7	11	1 1/2	51.00
	70.00	PKLB68M70FR	88.90	244.50	279.40	50.80	330.20	123.80	16.00	41.30	133.40	177.80	279.40	38.10	23.10
22217	2 15/16	PKLB6847FR	3 3/4	9 7/8	11	2	13	4 7/8	5/8	1 5/8	5 1/4	7 3/8	11 1/2	1 19/32	51.00
	3	PKLB6848FR													
22217	75.00	PKLB68M75FR	95.25	250.80	279.40	50.80	330.20	123.80	16.00	41.30	133.40	187.30	292.10	40.50	23.10
	3 7/16	PKLB6855FR	4 1/2	11 5/8	13 1/8	2 3/8	15 1/4	6	3/4	1 7/8	6 1/2	8 13/16	13 3/4	1 29/32	97.00
3 1/2	PKLB6856FR														
22220	90.00	PKLB68M90FR	114.30	295.30	333.40	60.30	387.40	152.40	20.00	47.60	165.10	223.80	349.20	48.40	44.00
	3 11/16	PKLB6859FR	4 15/16	12 5/8	14 1/2	2 3/4	16 1/2	6 1/2	3/4	2	7	9 3/4	15 1/4	2 1/8	112.00
3 15/16	PKLB6863FR														
4	PKLB6864FR														
22222	100.00	PKLB68M100FR	125.41	320.70	368.30	69.80	419.10	165.10	20.00	50.80	177.80	247.60	387.40	54.00	50.80
	4 7/16	PKLB6871FR	6	14 5/8	16	3 1/4	18 3/8	7 1/4	7/8	2 1/4	7 3/4	11 1/2	18 1/4	2 15/32	200.00
4 1/2	PKLB6872FR														
115.00	PKLB68M115FR	152.40													
22228	4 15/16	PKLB6879FR	6	16	17 1/8	3 3/8	20 1/8	6 7/8	1	2 1/2	7 1/2	11 15/16	19 1/4	2 5/8	207.00
	5	PKLB6880FR													
22232	125.00	PKLB68M125FR	152.40	406.40	435.00	85.70	511.20	174.60	24.00	63.50	190.50	303.20	489.00	66.70	93.90
	5 7/16	PKLB6887FR	6 11/16	17 3/8	19 1/4	3 3/4	22	8	1	2 3/4	8 1/2	13 1/2	20 1/2	2 31/32	270.00
22234	140.00	PKLB68M140FR	169.86	441.30	489.00	95.20	558.80	203.20	24.00	69.80	215.90	342.90	520.70	75.40	122.50
	5 15/16	PKLB6895FR	7 1/16	19 3/8	21 5/8	4 1/4	24 3/4	8 3/4	1	3	9 1/4	14 1/4	22 1/4	3 1/8	368.00
6	PKLB6896FR														
22236	150.00	PKLB68M150FR	179.39	492.10	549.30	108.00	628.60	222.20	24.00	76.20	235.00	362.00	565.20	79.40	166.90
	6 7/16	PKLB68103FR	7 1/2	20 7/8	23 5/8	4 5/8	26 3/4	9 1/8	1	3 1/4	9 5/8	14 15/16	23 1/4	3 5/32	390.00
6 1/2	PKLB68104FR														
22238	160.00	PKLB68M160FR	190.50	530.20	600.10	117.50	679.40	231.80	24.00	82.60	244.50	379.40	590.60	80.20	176.90
	6 15/16	PKLB68111FR	7 7/8	21 5/8	24 3/8	4 1/2	28	9 3/4	1 1/4	3 1/4	10 1/4	15 13/16	25	3 5/16	470.00
7	PKLB68112FR														
22244	170.00	PKLB68M170FR	200.02	549.30	619.10	114.30	711.20	247.60	30.00	82.60	260.40	401.60	635.00	84.10	213.20
	7 1/2	PKLB68120FR	9 1/2	25 7/8	27 5/8	7 1/4	32	12	1 3/4	4	12 5/8	18 11/16	29 1/4	3 13/16	875.00
	7 15/16	PKLB68127FR													
8	PKLB68128FR	830.00													

Continued...



Continued...

Bearing Dimensions

Size Code	V Shaft Diameter	Part Number	A Base to Centerline Height	B Min. Distance Between Bolt Holes	B Max. Distance Between Bolt Holes	G Bolt Hole Spacing (Width)	C	E	F Bolts	H	K	L	P	T	Approx. Weight
22244	200.00	PKLB68M200FR	241.30	657.20	701.70	184.20	812.80	304.80	48.00	101.60	320.70	474.70	743.00	96.80	376.50
23048	8 1/2	PKLB66136FR*	8 1/4	22 1/2	25	5	29 1/2	10 3/8	1 1/4	3 1/2	11	16 1/2	26 1/2	3 13/16	562.00
	9	PKLB66144FR													528.00
	220.00	PKLB66M220FR	209.55	571.50	635.00	127.00	749.30	263.50	30.00	88.90	279.40	419.10	673.10	96.80	240.40
23056	9 1/2	PKLB66B152FR	9 1/2	25 7/8	27 5/8	7 1/4	32	12	1 3/4	4	12 5/8	18 11/16	29 1/4	4 1/4	800.00
	9 15/16	PKLB66159FR													790.00
	10	PKLB66160FR													780.00
	10 1/2	PKLB66168FR													770.00
	260.00	PKLB66M260FR	241.30	657.20	701.70	184.20	812.80	304.80	48.00	101.60	320.70	474.70	743.00	108.00	358.30

Additional Notes

- Please call 1-866-REXNORD for availability
- Lubrication fitting tap size, 1/4 in PT
- Expansion - is 3/8 in for all shaft sizes
- Drain plug tap size - for 6 in (150 mm) and smaller shaft sizes, 1/4 in PT; for all other shaft sizes, 1/2 in PT
- Minimum extension of shaft beyond locknut, .06 in for closed end unit
- Dimension "P" is recommended dimension for cap removal
- Multi-labyrinth seals standard

- All shaft sizes available with type D5 Pentac seals except when marked with a "**".
- For the Selection Guide, Load Ratings and Speed Limits, see the Link-Belt Split Housed Spherical Roller Bearings Engineering section on pages 228 - 241.
- Note: Dimensions subject to change. Certified dimensions of ordered material furnished on request.

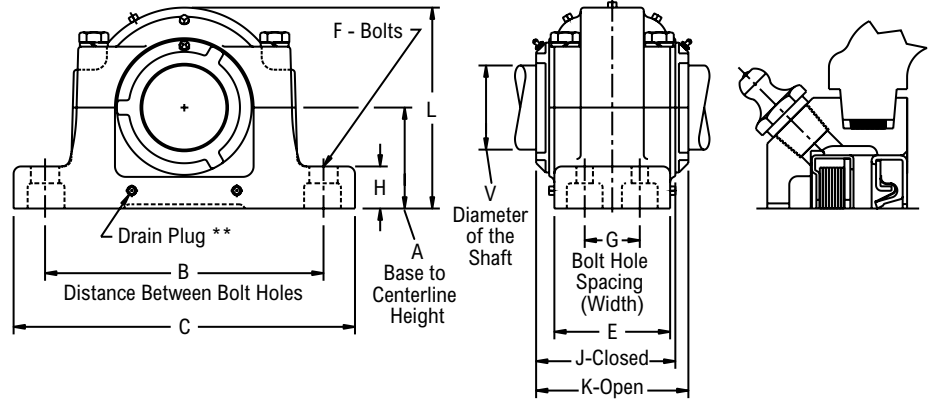
PKLB6800FD8



Photo Shows a 2-Bolt Spherical Roller Bearing Two-Piece Pillow Block Unit with Independently Flushable Seals

Product Features

- Corrosion-resistant powder coating
- Two piece cast steel housing
- Independently flushable seals
- Fixed or Expansion - up to 3/8 in expansion
- Matched base & cap
- Large reservoir for grease or oil storage
- Tapered adapter mounted
- See Features and Benefits for additional info on pages 224 - 225.



Bearing Dimensions

Size Code	V Shaft Diameter	Part Number	A Base to Centerline Height	B Min. Distance Between Bolt Holes	B Max. Distance Between Bolt Holes	G Bolt Hole Spacing (Width)	C	E	F Bolts	H	J	K	L	P	Approx. Weight
22215	2 7/16	PKLB6839FD8	3 1/4	8 5/8	9 5/8	1 7/8	11 1/4	4 3/8	1/2	1 1/2	5 17/32	6 1/16	6 3/8	10 1/4	41.00
22217	2 15/16	PKLB6847FD8	3 3/4	9 7/8	11	2	13	4 7/8	5/8	1 5/8	6 1/16	6 5/8	7 3/8	11 1/2	57.00
22220	3 7/16	PKLB6855FD8	4 1/2	11 5/8	13 1/8	2 3/8	15 1/4	6	3/4	1 7/8	6 21/32	7 5/16	8 13/16	13 3/4	97.00
22226	4 7/16	PKLB6871FD8	6	14 5/8	16	3 1/4	18 3/8	7 1/4	7/8	2 1/4	8 5/8	9 1/4	11 1/2	18 1/4	190.00
22228	4 15/16	PKLB6879FD8	6	16	17 1/8	3 3/8	20 1/8	6 7/8	1	2 1/2	8 3/8	9	11 15/16	19 1/4	210.00
22236	6 7/16	PKLB68103FD8	7 1/2	20 7/8	23 3/8	4 5/8	26 3/4	9 1/8	1	3 1/4	10 11/16	11 3/8	14 15/16	23 1/4	422.00

Additional Notes

- Please call 1-866-REXNORD for availability
- Lubrication fitting tap size, 1/4 in PT
- Seal assembly lubrication fitting tap size, 1/8 in PT
- Recommended shaft finish under D8 seals, 10-20 micro inches
- Expansion - is 3/8 in for all shaft sizes
- Drain plug tap size - for 4 15/16 in and smaller shaft sizes, 1/4 in PT; for all other shaft sizes, 1/2 in PT
- Minimum extension of shaft beyond locknut, .06 in for closed end unit

- Dimension "P" is recommended dimension for cap removal
- Taconite seals standard
- For the Selection Guide, Load Ratings and Speed Limits, see the Link-Belt Split Housed Spherical Roller Bearings Engineering section on pages 228 - 241.
- Note: Dimensions subject to change. Certified dimensions of ordered material furnished on request.

PLB6900, PLB6900F, SAF22600

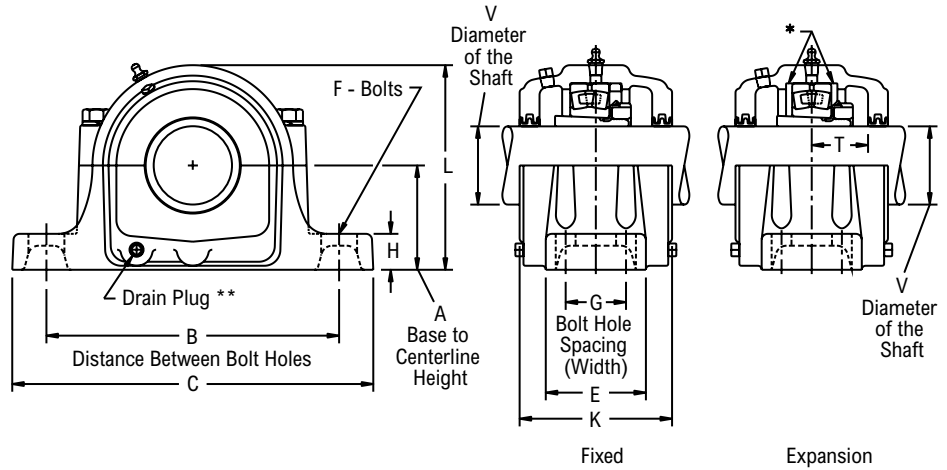
Interchange: USAF 600, SAF22600



Photo Shows a 2-Bolt Spherical Roller Bearing Two-Piece Pillow Block Unit

Product Features

- Corrosion-resistant powder coating
- Two piece cast iron housing
- Broad range of sealing options
- Fixed or Expansion - up to 3/8 in expansion
- Matched base & cap
- Large reservoir for grease or oil storage
- Tapered adapter mounted
- See Features and Benefits for additional info on pages 224 - 225.



Bearing Dimensions

Size Code	V Shaft Diameter	Part Number	A Base to Centerline Height	B Min. Distance Between Bolt Holes	B Max. Distance Between Bolt Holes	G Bolt Hole Spacing (Width)	C	E	F Bolts	H	K	L	P	T	Approx. Weight
Two-Bolt Pillow Block															
22309	1 7/16	PLB6923R	2 3/4	7 1/4	8	-	9 5/8	2 3/4	5/8	1	4 1/8	5 3/8	7 1/2	1 5/16	20.00
	1 1/2	PLB6924R*													
22310	1 11/16	PLB6927R	3	7 3/4	9	-	10 5/8	2 3/4	5/8	1 1/8	4 1/2	5 7/8	7 7/8	1 15/32	23.00
22311	1 15/16	PLB6931R	3 1/4	8 1/8	9 1/2	-	11	3 1/8	5/8	1 3/16	4 3/4	6 5/16	8 1/2	1 9/16	28.00
	2	PLB6932R													
22313	2 3/16	PLB6935R	3 1/2	9 5/8	11	-	13	3 1/2	3/4	1 1/4	5 1/4	7	9 5/8	1 23/32	41.00
22315	2 7/16	PLB6939R	4	10 3/8	11 5/8	-	13 3/4	3 7/8	3/4	1 5/16	5 7/8	7 15/16	10 1/2	1 15/16	52.00
	2 1/2	PLB6940R													
Four-Bolt Pillow Block															
22313	2 3/16	PLB6935FR	3 1/2	9 5/8	11	2	13	3 1/2	5/8	1 1/4	5 1/4	7	9 5/8	1 23/32	41.00
22317	2 15/16	PLB6947FR	4 1/2	11 5/8	13 1/8	2 3/8	15 1/4	4 3/8	3/4	1 1/2	6 1/2	8 7/8	11 3/4	2 1/2	71.00
22318	3 3/16	SAF22618303	4 3/4	12	13 1/2	2 1/4	15 1/2	4 3/8	3/4	2	6 7/8	9 1/4	12 1/4	2 7/32	97.00
22320	3 7/16	SAF22620307	5 1/4	13 1/4	14 1/2	2 3/4	16 1/2	4 3/4	3/4	1 3/4	7 1/8	10 7/16	13 1/2	2 7/16	111.00
	3 1/2	SAF22620308													
22322	3 15/16	SAF22622315	6	14 5/8	16	3 1/4	18 3/8	5 1/8	7/8	1 7/8	7 3/4	11 11/16	14 1/2	2 21/32	149.00
	4	SAF22622400													
22324	4 3/16	SAF22624403	6 5/16	17	18 1/4	3 3/4	21 1/4	6 1/4	1	2 1/2	8 3/8	12 1/2	16	2 13/16	225.00
22326	4 7/16	SAF22626407	6 11/16	17 3/8	19 1/4	3 3/4	22	6 1/4	1	2 5/8	8 3/4	13 5/16	17	3 5/16	228.00
22328	4 15/16	SAF22628415	7 1/16	19 3/8	21 5/8	4 1/4	24 3/4	6 3/4	1	2 3/4	9 5/8	14 3/16	18	3 1/4	330.00
	5	SAF22628500													
22330	5 3/16	SAF22630503	7 1/2	20 7/8	23 5/8	4 5/8	26 3/4	7 1/8	1	3	9 3/4	14 7/8	18 3/4	3 7/16	375.00
22332	5 7/16	SAF22632507	7 7/8	21 5/8	24 3/8	4 1/2	28	7 1/2	1 1/4	3 1/8	10 3/4	15 11/16	20 1/2	3 5/8	430.00
22334	5 15/16	SAF22634515	8 1/4	22 1/2	25	5	29 1/2	8	1 1/4	3 3/8	11 1/4	16 1/2	22 1/4	3 3/4	515.00
22348	8 15/16	PLB22648K81516	12	32 3/4	33 1/2	9	38 1/4	14 3/4	1 5/8	3 1/2	15 1/2	24	-	-	1,370.00
22356	10 7/16	PLB22656K10716	14	36 3/4	38 1/4	10 3/4	43 3/4	18 1/4	2	5	18	28	-	-	2,262.00

Additional Notes

- Please call 1-866-REXNORD for availability
- Lubrication fitting tap size: for 2 11/16 in and smaller shaft sizes, 1/8 in PT; for all other shaft sizes, 1/4 in PT
- Expansion - is 3/8 in for all shaft sizes
- Drain plug tap size - for 2 11/16 in and smaller shaft sizes, 1/8 in PT; for all other shaft sizes, 1/4 in PT
- Minimum extension of shaft beyond locknut, .06 in for closed end unit
- Dimension "P" is recommended dimension for cap removal

- Multi-labyrinth seals standard
- All shaft sizes available with type D5 Pentac seals except when marked with a "**".
- For the Selection Guide, Load Ratings and Speed Limits, see the Link-Belt Split Housed Spherical Roller Bearings Engineering section on pages 228 - 241.
- Note: Dimensions subject to change. Certified dimensions of ordered material furnished on request.

PLB7800, PLB7800F, PLB7600F

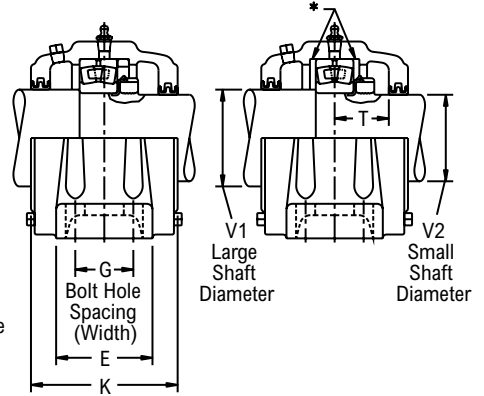
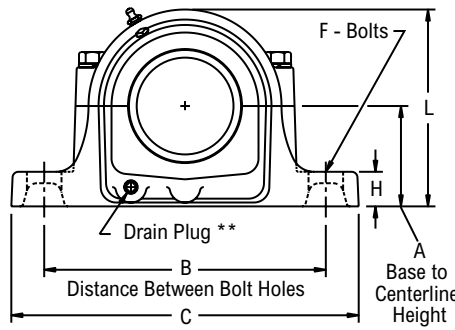
Interchange: USAF 200, SAF22200



Photo Shows a 2-Bolt Spherical Roller Bearing Two-Piece Pillow Block Unit

Product Features

- Corrosion-resistant powder coating
- Two piece cast iron housing
- Fixed or Expansion - up to 3/8 in expansion
- Matched base & cap
- Large reservoir for grease or oil storage
- Direct shaft mounted
- See Features and Benefits for additional info on pages 224 - 225.



Fixed

Expansion

Bearing Dimensions

Size Code	Shaft Diameter	V1 Large Shaft Diameter	V2 Small Shaft Diameter	Part Number	A Base to Centerline Height	B Min. Distance Between Bolt Holes	B Max. Distance Between Bolt Holes	G Bolt Hole Spacing (Width)	C	E	F Bolts	H	K	L	P	T	Approx. Weight
Two-Bolt Pillow Block																	
22215	2.95	3 7/16	2 13/16	PLB7875R	3 1/4	8 5/8	9 5/8	-	11 1/4	3 1/8	5/8	1 1/8	4 3/4	6 3/8	8 3/8	1 15/32	35.00
22216	3.15	3 5/8	3	PLB7880R	3 1/2	9 5/8	11	-	13	3 1/2	3/4	1 1/4	5 1/4	7	9 1/2	1 1/2	35.00
22217	3.35	3 15/16	3 3/16	PLB7885R	3 3/4	9 7/8	11	-	13	3 1/2	3/4	1 1/4	5	7 5/16	10	1 19/32	40.00
22218	3.54	4 1/8	3 3/8	PLB7890R	4	10 3/8	11 5/8	-	13 3/4	3 7/8	3/4	1 5/16	5 7/8	7 15/16	10 1/2	1 3/4	42.00
22220	3.94	4 1/2	3 13/16	PLB78100R	4 1/2	11 5/8	13 1/8	-	15 1/4	4 3/8	7/8	1 1/2	6	8 7/8	11 3/4	1 29/32	62.00
Four-Bolt Pillow Block																	
22215	2.95	3 7/16	2 13/16	PLB7875FR	3 1/4	8 5/8	9 5/8	1 7/8	11 1/4	3 1/8	1/2	1 1/8	4 3/4	6 3/8	8 3/8	1 15/32	35.00
22216	3.15	3 5/8	3	PLB7880FR	3 1/2	9 5/8	11	2	13	3 1/2	5/8	1 1/4	5 1/4	7	9 1/2	1 1/2	35.00
22217	3.35	3 15/16	3 3/16	PLB7885FR	3 3/4	9 7/8	11	2	13	3 1/2	5/8	1 1/4	5	7 5/16	10	1 19/32	40.00
22218	3.54	4 1/8	3 3/8	PLB7890FR	4	10 3/8	11 5/8	2 1/8	13 3/4	3 7/8	5/8	1	5 7/8	7 15/16	10 1/2	1 3/4	42.00
22220	3.94	4 1/2	3 13/16	PLB78100FR	4 1/2	11 5/8	13 1/8	2 3/8	15 1/4	4 1/2	3/4	1 1/2	6	8 7/8	11 3/4	1 29/32	62.00
22222	4.33	4 7/8	4 3/16	PLB78110FR	4 15/16	12 5/8	14 1/2	2 3/4	16 1/2	4 3/4	3/4	2	6 1/2	9 5/8	12 1/4	2 1/8	78.00
22224	4.72	5 5/16	4 3/16	PLB78120FR	5 1/4	13 1/4	14 1/2	2 3/4	16 1/2	4 3/4	3/4	1 3/4	7 1/8	10 7/16	13 1/2	2 9/32	102.00
22226	5.12	5 7/8	4 15/16	PLB78130FR	6	14 5/8	16	3 1/4	18 3/8	5 1/8	7/8	2 3/8	7 3/4	11 19/32	14 1/2	2 15/32	141.00
22228	5.51	6 1/4	5 5/16	PLB78140FR	6	16	17 1/8	3 3/8	20 1/8	5 7/8	1	2 3/8	7 3/4	11 13/16	15 1/2	2 5/8	162.00
22230	5.91	6 5/8	5 3/4	PLB78150FR	6 5/16	17	18 1/4	3 3/4	21 1/4	6 1/4	1	2	8 1/8	12 9/16	16	2 3/4	182.00
22232	6.30	7	6 1/16	PLB78160FR	6 11/16	17 3/8	19 1/4	3 3/4	22	6 1/4	1	2 5/8	8 1/2	13 3/8	17	2 31/32	202.00
22234	6.69	7 7/16	6 7/16	PLB78170FR	7 1/16	19 3/8	21 5/8	4 1/4	24 3/4	6 3/4	1	2 3/4	9 1/4	14 1/4	18	3 1/8	240.00
22236	7.09	7 13/16	6 7/8	PLB78180FR	7 1/2	20 7/8	23 5/8	4 5/8	26 3/4	7 1/8	1	3	9 5/8	14 15/16	18 3/4	3 5/32	279.00
22238	7.48	8 3/8	7 1/4	PLB78190FR	7 7/8	21 5/8	24 3/8	4 1/2	28	7 1/2	1 1/4	3 1/8	10 1/4	15 13/16	20 1/2	3 5/16	345.00
22240	7.87	8 3/4	7 5/8	PLB78200FR	8 1/4	22 1/2	25	5	29 1/2	8	1 1/4	2 3/8	11	16 3/4	22 1/4	3 17/32	415.00
22244	8.66	9 9/16	8 5/16	PLB22244	9 1/2	24 3/4	27 7/8	5 1/4	32 3/4	8 3/4	1 1/2	3 3/4	11 7/8	18 5/8	-	-	620.00
				PLB78220FR									11 3/16	18 9/16	24 1/2	3 13/16	
22248	9.45	10 1/2	9 3/16	PLB22248	10 1/4	29	30 1/2	8 3/4	35	14 1/2	1 5/8	3 3/4	14 1/8	20 1/2	-	-	976.00
23048	9.45	10 1/2	9 3/16	PLB76240FR	8 1/4	22 1/2	25	5	29 1/2	8	1 1/4	2 3/8	11	16 3/4	22 1/4	3 13/16	430.00
23056	11.02	12	10 3/4	PLB76280FR	9 1/2	24 3/4	27 7/8	5 1/4	32 3/4	8 3/4	1 1/2	2 3/4	11 3/4	19 1/16	24 1/2	4 1/4	595.00

Additional Notes

- Please call 1-866-REXNORD for availability
- Lubrication fitting tap size: for 3.5433 in (90 mm) and smaller shaft sizes, 1/8 in PT: for all other shaft sizes, 1/4 in PT
- Expansion - is 3/8 in for all shaft sizes
- Drain plug tap size - for 3.5433 in (90 mm) and smaller shaft sizes, 1/8 in PT: for 3.9370 in (100 mm) thru 6.6929 in (170 mm), 1/4 in PT: for all other shaft sizes, 1/2 in PT
- Minimum extension of shaft beyond locknut, .06 in for closed end unit

- Dimension "P" is recommended dimension for cap removal
- Multi-labyrinth seals standard
- For the Selection Guide, Load Ratings and Speed Limits, see the Link-Belt Split Housed Spherical Roller Bearings Engineering section on pages 228 - 241.
- For shaft bearing seat diameters, see Link-Belt Spherical Roller Bearings Shaft & Housing Seat Diameters section on pages 264 - 267.
- Note: Dimensions subject to change. Certified dimensions of ordered material furnished on request.

PKLB7800F, PKLB7600F

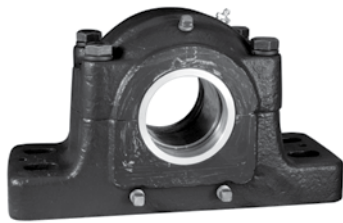
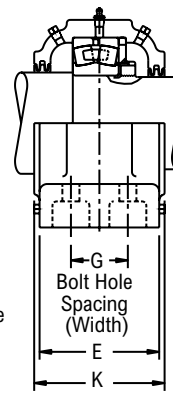
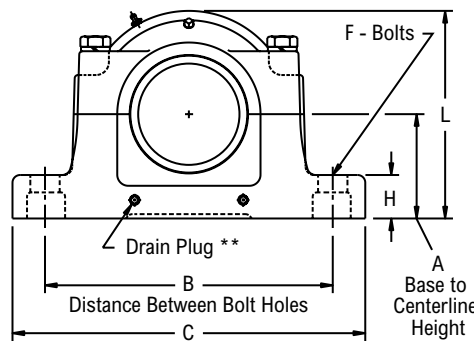


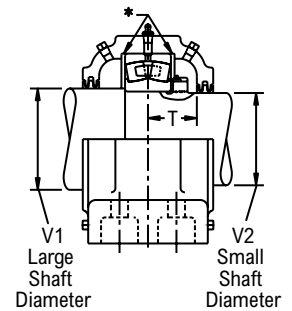
Photo Shows a 4-Bolt Spherical Roller Bearing Two-Piece Pillow Block Unit

Product Features

- Corrosion-resistant powder coating
- Two piece cast steel housing
- Fixed or Expansion - up to 3/8 in expansion
- Matched base & cap
- Large reservoir for grease or oil storage
- Direct shaft mounted
- See Features and Benefits for additional info on pages 224 - 225.



Fixed



Expansion

Bearing Dimensions

Size Code	Shaft Diameter	V1 Large Shaft Diameter	V2 Small Shaft Diameter	Part Number	A Base to Centerline Height	B Min. Distance Between Bolt Holes	B Max. Distance Between Bolt Holes	G Bolt Hole Spacing (Width)	C	E	F Bolts	H	K	L	P	T	Approx. Weight
22215	2.9528	3 ⁷ / ₁₆	2 ¹³ / ₁₆	PKLB7875FR	3 ¹ / ₄	8 ⁵ / ₈	9 ⁵ / ₈	1 ⁷ / ₈	11 ¹ / ₄	4 ³ / ₈	1/2	1 ¹ / ₂	4 ³ / ₄	6 ³ / ₈	10 ¹ / ₄	1 ¹⁵ / ₃₂	35.00
22216	3.1496	3 ⁵ / ₈	3	PKLB7880FR	3 ¹ / ₂	9 ⁵ / ₈	11	2	13	4 ⁷ / ₈	5/8	1 ⁵ / ₈	5 ¹ / ₄	7	11	1 ¹ / ₂	48.00
22217	3.3465	3 ¹⁵ / ₁₆	3 ³ / ₁₆	PKLB7885FR	3 ³ / ₄	9 ⁷ / ₈	11	2	13	4 ⁷ / ₈	5/8	1 ⁵ / ₈	5 ¹ / ₄	7 ³ / ₈	11 ¹ / ₂	1 ¹⁹ / ₃₂	50.00
22220	3.9370	4 ¹ / ₂	3 ¹³ / ₁₆	PKLB78100FR	4 ¹ / ₂	11 ⁵ / ₈	13 ¹ / ₈	2 ³ / ₈	15 ¹ / ₄	6	3/4	1 ⁷ / ₈	6 ¹ / ₂	8 ¹³ / ₁₆	13 ³ / ₄	1 ²⁹ / ₃₂	85.00
22222	4.3307	4 ⁷ / ₈	4 ³ / ₁₆	PKLB78110FR	4 ¹⁵ / ₁₆	12 ⁵ / ₈	14 ¹ / ₂	2 ³ / ₄	16 ¹ / ₂	6 ¹ / ₂	3/4	2	7	9 ³ / ₄	15 ¹ / ₄	2 ¹ / ₈	105.00
22226	5.1181	5 ⁷ / ₈	4 ¹⁵ / ₁₆	PKLB78130FR	6	14 ⁵ / ₈	16	3 ¹ / ₄	18 ³ / ₈	7 ¹ / ₄	7/8	2 ¹ / ₄	7 ³ / ₄	11 ¹ / ₂	18 ¹ / ₄	2 ¹⁵ / ₃₂	187.00
22228	5.5118	6 ¹ / ₄	5 ⁵ / ₁₆	PKLB78140FR	6	16	17 ¹ / ₈	3 ³ / ₈	20 ¹ / ₈	6 ⁷ / ₈	1	2 ¹ / ₂	7 ¹ / ₂	11 ¹⁵ / ₁₆	19 ¹ / ₄	2 ⁵ / ₈	190.00
22232	6.2992	7	6 ¹ / ₁₆	PKLB78160FR	6 ¹¹ / ₁₆	17 ³ / ₈	19 ¹ / ₄	3 ³ / ₄	22	8	1	2 ³ / ₄	8 ¹ / ₂	13 ¹ / ₂	20 ¹ / ₂	2 ³¹ / ₃₂	250.00
22234	6.6929	7 ⁷ / ₁₆	6 ⁷ / ₁₆	PKLB78170FR	7 ¹ / ₁₆	19 ³ / ₈	21 ⁵ / ₈	4 ¹ / ₄	24 ³ / ₄	8 ³ / ₄	1	3	9 ¹ / ₄	14 ¹ / ₄	22 ¹ / ₄	3 ¹ / ₈	344.00
22236	7.0866	7 ¹³ / ₁₆	6 ⁷ / ₈	PKLB78180FR	7 ¹ / ₂	20 ⁷ / ₈	23 ⁵ / ₈	4 ⁵ / ₈	26 ³ / ₄	9 ¹ / ₈	1	3 ¹ / ₄	9 ⁵ / ₈	14 ¹⁵ / ₁₆	23 ¹ / ₄	3 ⁵ / ₃₂	365.00
22238	7.4803	8 ³ / ₈	7 ¹ / ₄	PKLB78190FR	7 ⁷ / ₈	21 ⁵ / ₈	24 ³ / ₈	4 ¹ / ₂	28	9 ³ / ₄	1 ¹ / ₄	3 ¹ / ₄	10 ¹ / ₄	15 ¹³ / ₁₆	25	3 ⁵ / ₁₆	450.00
22244	8.6614	9 ⁹ / ₁₆	8 ⁵ / ₁₆	PKLB78220FR	9 ¹ / ₂	25 ⁵ / ₈	27 ⁷ / ₈	7 ¹ / ₄	32	12	1 ³ / ₄	4	12 ⁵ / ₈	18 ¹¹ / ₁₆	29 ¹ / ₄	3 ¹³ / ₁₆	770.00
23048	9.4488	10 ¹ / ₂	9 ³ / ₁₆	PKLB76240FR	8 ¹ / ₄	22 ¹ / ₂	25	5	29 ¹ / ₂	10 ³ / ₈	1 ¹ / ₄	3 ¹ / ₂	11	16 ¹ / ₂	26 ¹ / ₂	3 ¹³ / ₁₆	530.00
23056	11.0236	12	10 ³ / ₄	PKLB76280FR	9 ¹ / ₂	25 ⁷ / ₈	27 ⁵ / ₈	7 ¹ / ₄	32	12	1 ³ / ₄	4	12 ⁵ / ₈	18 ¹¹ / ₁₆	29 ¹ / ₄	4 ¹ / ₄	745.00

Additional Notes

- Please call 1-866-REXNORD for availability
- Lubrication fitting tap size, 1/4 in PT
- Expansion - is 3/8 in for all shaft sizes
- Drain plug tap size - for 6.6929 in (170 mm) and smaller shaft sizes, 1/4 in PT; for all other shaft sizes, 1/2 in PT
- Minimum extension of shaft beyond locknut, .06 in for closed end unit
- Dimension "P" is recommended dimension for cap removal
- Multi-labyrinth seals standard

For the Selection Guide, Load Ratings and Speed Limits, see the Link-Belt Split Housed Spherical Roller Bearings Engineering section on pages 228 - 241.

For shaft bearing seat diameters, see Link-Belt Spherical Roller Bearings Shaft & Housing Seat Diameters section on pages 264 - 267.

Note: Dimensions subject to change. Certified dimensions of ordered material furnished on request.

PLB7900, PLB7900F, SAF22300

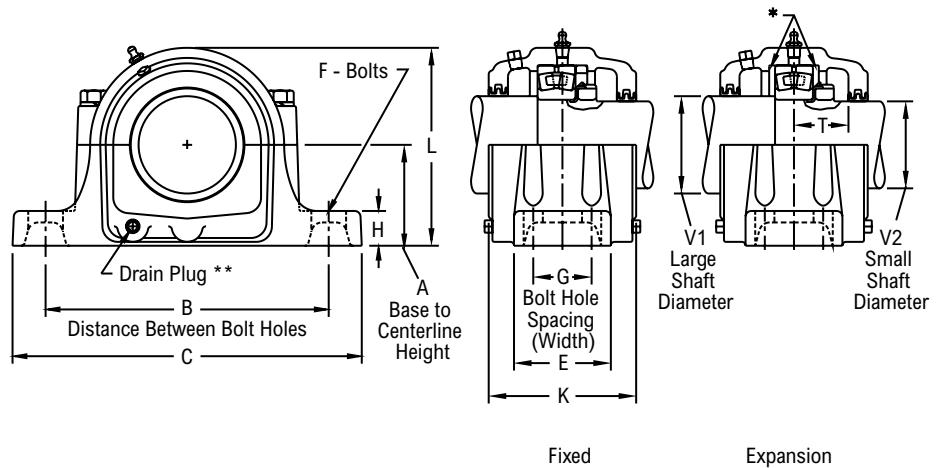
Interchange: USAF 300, SAF22300



Photo Shows a 2-Bolt Spherical Roller Bearing Two-Piece Pillow Block Unit

Product Features

- Corrosion-resistant powder coating
- Two piece cast iron housing
- Fixed or Expansion - up to 3/8 in expansion
- Matched base & cap
- Large reservoir for grease or oil storage
- Direct shaft mounted
- See Features and Benefits for additional info on pages 224 - 225.



Bearing Dimensions

Size Code	Shaft Diameter	V1 Large Shaft Diameter	V2 Small Shaft Diameter	Part Number	A Base to Centerline Height	B Min. Distance Between Bolt Holes	B Max. Distance Between Bolt Holes	G Bolt Hole Spacing (Width)	C	E	F Bolts	H	K	L	P	T	Approx. Weight
Two-Bolt Pillow Block																	
22309	1.77	2 1/8	1 11/16	PLB7945R	2 3/4	7 1/4	8	-	9 5/8	2 3/4	5/8	1	4 1/8	5 3/8	7 1/2	1 5/16	18.00
22310	1.97	2 3/8	1 7/8	PLB7950R	3	7 3/4	9	-	10 5/8	2 3/4	5/8	1 1/8	4 1/2	5 7/8	7 7/8	1 15/32	22.00
22311	2.17	2 9/16	2 1/16	PLB7955R	3 1/4	8 1/8	9 1/2	-	11	3 1/8	5/8	1 3/16	4 3/4	6 5/16	8 1/2	1 9/16	27.00
22313	2.56	3 1/16	2 7/16	PLB7965R	3 1/2	9 5/8	11	-	13	3 1/2	3/4	1 1/4	5 1/4	7	9 5/8	1 23/32	39.00
22315	2.95	3 7/16	2 13/16	PLB7975R	4	10 3/8	11 5/8	-	13 3/4	3 7/8	3/4	1 5/16	5 7/8	7 15/16	10 1/2	1 15/16	50.00
22317	3.35	3 15/16	3 3/16	PLB7985R	4 1/2	11 5/8	13 1/8	-	15 1/4	4 3/8	7/8	1 1/2	6 1/2	8 7/8	11 3/4	2 1/2	71.00
Four-Bolt Pillow Block																	
22313	2.56	3 1/16	2 7/16	PLB7965FR	3 1/2	9 5/8	11	2	13	3 1/2	5/8	1 1/4	5 1/4	7	9 5/8	1 23/32	39.00
22317	3.35	3 15/16	3 3/16	PLB7985FR	4 1/2	11 5/8	13 1/8	2 3/8	15 1/4	4 3/8	3/4	1 1/2	6 1/2	8 7/8	11 3/4	2 1/2	71.00
22318	3.54	4 1/8	3 3/8	SAF22318	4 3/4	12	13 1/2	2 1/4	15 1/2	4 3/8	3/4	2	6 7/8	9 3/16	12 1/4	2 7/32	94.00
22320	3.94	4 1/2	3 13/16	SAF22320	5 1/4	13 1/4	14 1/2	2 3/4	16 1/2	4 3/4	3/4	1 3/4	7 1/8	10 7/16	13 1/2	2 7/16	118.00
22322	4.33	4 7/8	4 3/16	SAF22322	6	14 5/8	16	3 1/4	18 3/8	5 1/8	7/8	1 7/8	7 3/4	11 11/16	14 1/2	2 21/32	147.00
22324	4.72	5 5/16	4 9/16	SAF22324	6 5/16	17	18 1/4	3 3/4	21 1/4	6 1/4	1	2 1/2	8 3/8	12 1/2	16	2 13/16	215.00
22326	5.12	5 7/8	4 15/16	SAF22326	6 11/16	17 3/8	19 1/4	3 3/4	22	6 1/4	1	2 5/8	8 3/4	13 5/16	17	3 5/16	215.00
22328	5.51	6 1/4	5 5/16	SAF22328	7 1/16	19 3/8	21 5/8	4 1/4	24 3/4	6 3/4	1	2 3/4	9 3/8	14 3/16	18	3 1/4	320.00
22330	5.91	6 5/8	5 3/4	SAF22330	7 1/2	20 7/8	23 5/8	4 5/8	26 3/4	7 1/8	1	3	9 3/4	14 7/8	18 3/4	3 7/16	350.00
22332	6.30	7	6 1/16	SAF22332	7 7/8	21 5/8	24 3/8	4 1/2	28	7 1/2	1 1/4	3 1/8	10 3/4	15 11/16	20 1/2	3 5/8	410.00
22334	6.69	7 7/16	6 7/16	SAF22334	8 1/4	22 1/2	25	5	29 1/2	8	1 1/4	3 3/8	11 1/4	16 1/2	22 1/4	3 3/4	485.00
22348	9.45	10 1/2	9 1/16	PLB22348	12	32 3/4	33 1/2	9	38 1/4	14 3/4	1 5/8	3 1/2	15 1/2	24	-	-	1,322.00
22356	11.02	12 3/4	10 3/4	PLB22356	14	36 3/4	38 1/4	10 3/4	43 3/4	18 1/4	2	5	18	28	-	-	2,203.00

Additional Notes

- Please call 1-866-REXNORD for availability
- Lubrication fitting tap size: for 3.1496 in (80 mm) and smaller shaft sizes, 1/8 in PT: for all other shaft sizes, 1/4 in PT
- Expansion - is 3/8 in for all shaft sizes
- Drain plug tap size - for 3.1496 in (80 mm) and smaller shaft sizes, 1/8 in PT: for 3.3465 in (85 mm) thru 4.3307 in (110 mm), 1/4 in PT: for 4.7244 in (120 mm) thru 6.2992 in (160 mm), 3/8 in PT: for all other shaft sizes, 1/2 in PT
- Minimum extension of shaft beyond locknut, .06 in for closed end unit
- Dimension "P" is recommended dimension for cap removal

- Multi-labyrinth seals standard
- SAF pillow blocks include locknut and washer
- For the Selection Guide, Load Ratings and Speed Limits, see the Link-Belt Split Housed Spherical Roller Bearings Engineering section on pages 228 - 241.
- For shaft bearing seat diameters, see Link-Belt Spherical Roller Bearings Shaft & Housing Seat Diameters section on pages 264 - 267.
- Note: Dimensions subject to change. Certified dimensions of ordered material furnished on request.

PLB23000K

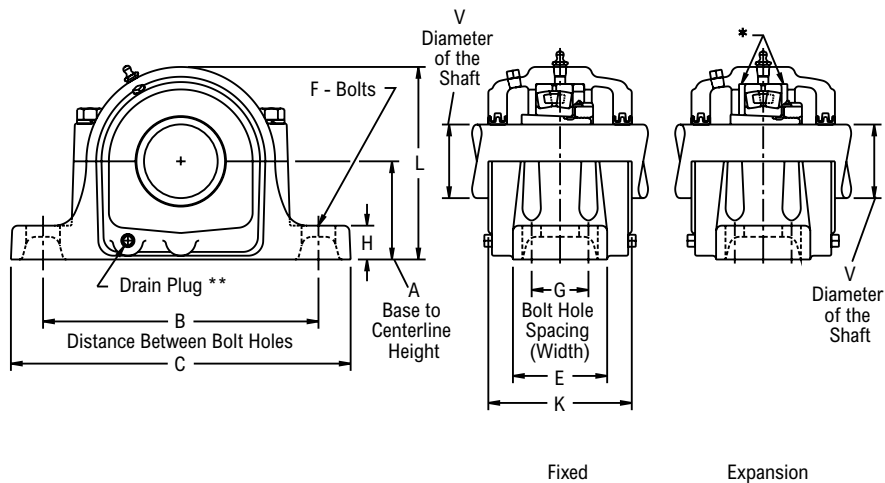
Interchange: USAF 500, USDAF, S(D)AF23000KA, S(D)AF23000K



Photo Shows a 2-Bolt Spherical Roller Bearing Two-Piece Pillow Block Unit

Product Features

- Corrosion-resistant powder coating
- Two piece cast iron housing
- Broad range of sealing options
- Fixed or Expansion - up to 3/8 in expansion
- Matched base & cap
- Large reservoir for grease or oil storage
- Tapered adapter mounted
- See Features and Benefits for additional info on pages 224 - 225.



Bearing Dimensions

Size Code	Shaft Diameter	Part Number	A Base to Centerline Height	B Min. Distance Between Bolt Holes	B Max. Distance Between Bolt Holes	G Bolt Hole Spacing (Width)	C	E	F Bolts	H	K	L	Approx. Weight
Four-Bolt Pillow Block													
23044	7 ¹⁵ / ₁₆	PLB23044K71516	7 ⁷ / ₈	21 ⁵ / ₈	24 ³ / ₈	4 ¹ / ₂	28	7 ¹ / ₂	1 ¹ / ₄	3 ¹ / ₈	10 ³ / ₄	15 ¹¹ / ₁₆	413.00
	8	PLB23044K8											
23048	8 ¹ / ₂	PLB23048K812	8 ¹ / ₄	22 ¹ / ₂	25	5	29 ¹ / ₂	8	1 ¹ / ₄	3 ³ / ₈	11 ¹ / ₈	16 ¹¹ / ₁₆	474.00
	8 ¹⁵ / ₁₆	PLB23048K81516											
	9	PLB23048K9											
23052	9 ⁷ / ₁₆	PLB23052K9716	9 ¹ / ₂	24 ³ / ₄	27 ⁷ / ₈	5 ¹ / ₄	32 ³ / ₄	8 ³ / ₄	1 ¹ / ₂	3 ³ / ₄	11 ⁷ / ₈	18 ¹³ / ₁₆	530.00
	9 ¹ / ₂	PLB23052K912											
23056	9 ¹⁵ / ₁₆	PLB23056K91516	9 ⁷ / ₈	26 ¹ / ₄	29 ¹ / ₂	5 ¹ / ₂	34 ¹ / ₄	9	1 ¹ / ₂	4	12 ¹ / ₁₆	20 ³ / ₁₆	800.00
	10	PLB23056K10											
	10 ⁷ / ₁₆	PLB23056K10716											
23060	10 ¹⁵ / ₁₆	PLB23060K101516	12	32 ³ / ₄	33 ¹ / ₂	9	38 ¹ / ₄	14 ³ / ₄	1 ⁵ / ₈	3 ¹ / ₂	15 ¹ / ₂	24	1,200.00
	11	PLB23060K11											
23064	11 ¹⁵ / ₁₆	PLB23064K111516	12	32 ³ / ₄	33 ¹ / ₂	9	38 ¹ / ₄	15 ¹ / ₈	1 ⁵ / ₈	3 ¹ / ₂	16 ¹ / ₂	24	1,250.00
	12	PLB23064K12											
23068	12 ¹ / ₂	PLB23068K1212	12	32	33 ¹ / ₂	10	39	15 ¹ / ₄	1 ⁷ / ₈	4 ³ / ₁₆	15 ³ / ₄	24	1,550.00
23072	12 ¹⁵ / ₁₆	PLB23072K121516	12 ¹³ / ₁₆	35	36 ¹ / ₂	10 ¹ / ₂	41 ³ / ₄	15 ³ / ₄	1 ⁷ / ₈	4 ¹ / ₂	16 ¹ / ₄	26	1,650.00
	13	PLB23072K13											
23076	13 ¹⁵ / ₁₆	PLB23076K131516	12 ¹³ / ₁₆	35	36 ¹ / ₂	10 ¹ / ₂	41 ³ / ₄	15 ³ / ₄	1 ⁷ / ₈	4 ¹ / ₂	16 ¹ / ₄	26	1,700.00
	14	PLB23076K14											3,245.00
23080	15	PLB23080K15	14 ¹ / ₂	39 ¹ / ₄	40 ³ / ₄	11	46	17 ¹ / ₈	2	5	18	28 ³ / ₄	2,300.00
23084	15 ³ / ₄	PLB23084K1534	14 ¹ / ₂	39 ¹ / ₄	40 ³ / ₄	11	46	17 ¹ / ₈	2	5	18	28 ³ / ₄	2,300.00
23088	16 ¹ / ₂	PLB23088K1612	15 ¹ / ₂	41 ¹ / ₂	43 ¹ / ₂	12 ¹ / ₄	48 ³ / ₄	18 ³ / ₄	2 ¹ / ₄	5 ¹ / ₂	19 ³ / ₈	31	2,550.00
23092	17	PLB23092K17	15 ¹ / ₂	41 ¹ / ₂	43 ¹ / ₂	12 ¹ / ₄	48 ³ / ₄	18 ³ / ₄	2 ¹ / ₄	5 ¹ / ₂	19 ³ / ₈	31	2,850.00
23096	18	PLB23096K18	17	44 ¹ / ₂	46 ⁵ / ₈	14 ¹ / ₂	52 ³ / ₄	22 ¹ / ₄	2 ¹ / ₄	5 ¹ / ₂	21 ³ / ₄	34	4,250.00
230530	19 ¹ / ₂	PLB230530K1912	18	47 ¹ / ₈	48 ⁷ / ₈	15	54 ¹ / ₄	21 ⁵ / ₈	2 ¹ / ₂	5 ³ / ₄	22 ³ / ₄	35 ³ / ₄	5,200.00
230560	21	PLB230560K21	18	47 ¹ / ₈	48 ⁷ / ₈	15	54 ¹ / ₄	21 ⁵ / ₈	2 ¹ / ₂	5 ³ / ₄	22 ³ / ₄	35 ³ / ₄	3,745.00
230600	22	PLB230600K22	20	52 ¹ / ₂	54	16	60	22	3	6	24 ⁵ / ₈	40	5,525.00
230630	24	PLB230630K24	20	52 ¹ / ₂	54	16	60	22	3	6	24 ⁵ / ₈	40	5,356.00

Additional Notes

- Please Call 1-866-REXNORD for availability
- Lubrication Fitting Tap Size, 1/4 in PT
- Expansion is 3/8 in for all shaft sizes
- Multi-labyrinth seals standard
- For the Selection Guide, Load Ratings and Speed Limits, see the Link-Belt Split Housed Spherical Roller Bearings Engineering section on pages 228 - 241.
- Note: Dimensions subject to change. Certified dimensions of ordered material furnished on request.

PLB23100K

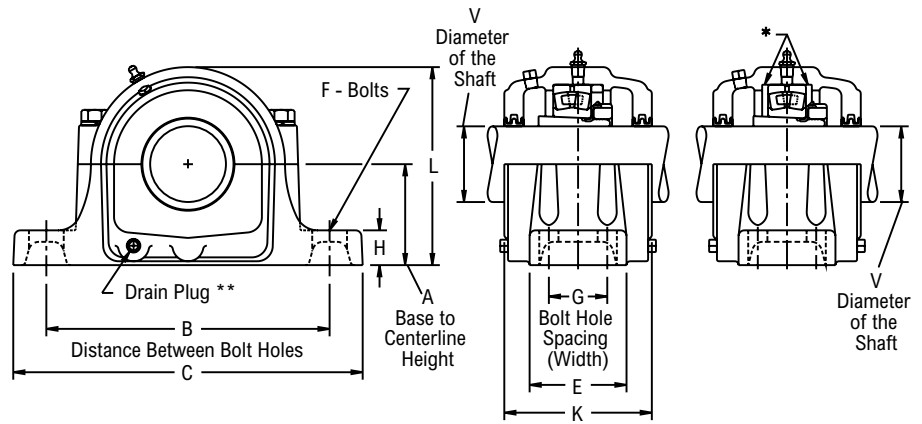
Interchange: USDAF, SDAF23100KA, SDAF23100K



Two-Piece Pillow Block Unit

Product Features

- Corrosion-resistant powder coating
- Two piece cast iron housing
- Broad range of sealing options
- Fixed or Expansion - up to 3/8 in expansion
- Matched base & cap
- Large reservoir for grease or oil storage
- Tapered adapter mounted
- See Features and Benefits for additional info on pages 224 - 225.



Bearing Dimensions

Size Code	Shaft Diameter	Part Number	A Base to Centerline Height	B Min. Distance Between Bolt Holes	B Max. Distance Between Bolt Holes	G Bolt Hole Spacing (Width)	C	E	F Bolts	H	K	L	Approx. Weight
Four-Bolt Pillow Block													
23144	8	PLB23144K8	8 1/4	22 1/2	25	5	29 1/2	8	1 1/4	3 3/8	12 1/8	16 1/2	496.00
23148	8 15/16	PLB23148K81516	9 1/2	24 3/4	27 7/8	5 1/4	32 3/4	8 3/4	1 1/2	3 3/4	13 1/2	18 5/8	820.00
23152	9 7/16	PLB23152K9716	10 1/4	29	30 1/2	8 3/4	35	14 1/2	1 5/8	3 3/4	14 1/8	20 1/2	1,029.00
23156	10 7/16	PLB23156K10716	12	32 3/4	33 1/2	9	38 1/4	14 3/4	1 5/8	3 1/2	15 1/2	24	1,253.00
23160	10 15/16	PLB23160K101516	12	32 3/4	33 1/2	9	38 1/4	15 1/8	1 5/8	3 1/2	16 1/2	24	1,333.00
23164	11 15/16	PLB23164K111516	12 13/16	35	36 1/2	10 1/2	41 3/4	15 3/4	1 7/8	4 1/2	16 1/4	26	1,768.00
23168	12 7/16	PLB23168K12716	14	36 3/4	38 1/4	10 3/4	43 3/4	18 1/4	2	5	18	28	2,265.00
23172	13 7/16	PLB23172K13716	14 1/2	39 1/4	40 3/4	11	46	17 1/8	2	5	18	28 3/4	2,442.00
23176	13 15/16	PLB23176K131516	14 1/2	39 1/4	40 3/4	11	46	17 1/8	2	5	18	28 3/4	2,473.00
23180	15	PLB23180K15	15 1/2	41 1/2	43 1/2	12 1/4	48 3/4	18 3/4	2 1/4	5 1/2	19 3/8	31	3,119.00
23184	15 3/4	PLB23184K1534	17	44 1/2	46 5/8	14 1/2	52 3/4	22 1/4	2 1/4	5 1/2	21 3/4	34	4,039.00
23188	16 1/2	PLB23188K1612	17	44 1/2	46 5/8	14 1/2	52 3/4	22 1/4	2 1/4	5 1/2	21 3/4	34	4,003.00
23192	17	PLB23192K17	18	47 1/8	48 7/8	15	54 1/4	21 5/8	2 1/2	5 3/4	22 3/4	35 3/4	4,600.00
23196	18	PLB23196K18	18	47 1/8	48 7/8	15	54 1/4	21 5/8	2 1/2	5 3/4	22 3/4	35 3/4	4,707.00
231530	19 1/2	PLB231530K1912	20	52 1/2	54	16	60	22	3	6	24 5/8	40	6,002.00
231560	21	PLB231560K21	20	52 1/2	54	16	60	22	3	6	24 5/8	40	5,881.00

Additional Notes

- Please Call 1-866-REXNORD for availability
- Lubrication Fitting Tap Size, 1/4 in PT
- Expansion is 3/8 in for all shaft sizes
- Multi-labyrinth seals standard
- For the Selection Guide, Load Ratings and Speed Limits, see the Link-Belt Split Housed Spherical Roller Bearings Engineering section on pages 228 - 241.
- Note: Dimensions subject to change. Certified dimensions of ordered material furnished on request.

PLB23100

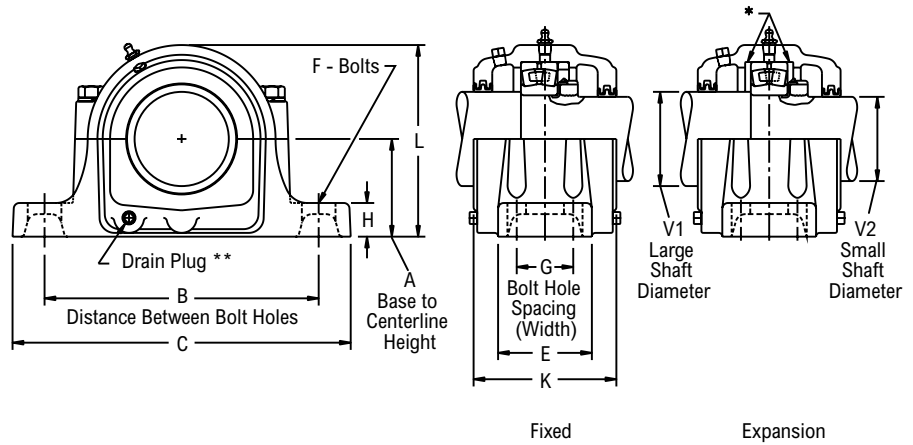
Interchange: USDAF, SDAF23100



Photo Shows a 2-Bolt Spherical Roller Bearing Two-Piece Pillow Block Unit

Product Features

- Corrosion-resistant powder coating
- Two piece cast iron housing
- Fixed or Expansion - up to 3/8 in expansion
- Matched base & cap
- Large reservoir for grease or oil storage
- Direct shaft mounted
- See Features and Benefits for additional info on pages 224 - 225.



Bearing Dimensions

Size Code	Shaft Diameter	V1 Large Shaft Diameter	V2 Small Shaft Diameter	Part Number	A Base to Centerline Height	B Min. Distance Between Bolt Holes	B Max. Distance Between Bolt Holes	G Bolt Hole Spacing (Width)	C	E	F Bolts	H	K	L	Approx. Weight
Four-Bolt Pillow Block															
23152	10.24	11 1/2	9 15/16	PLB23152	10 1/4	29	30 1/2	8 3/4	35	14 1/2	1 5/8	3 3/4	14 1/8	20 1/2	985.00
23156	11.02	12 1/2	10 3/4	PLB23156	12	32 3/4	33 1/2	9	38 1/4	14 3/4	1 5/8	3 1/2	15 1/2	24	1,206.00
23160	11.81	13	11 1/2	PLB23160	12	32 3/4	33 1/2	9	38 1/4	15 1/8	1 5/8	3 1/2	16 1/2	24	1,305.00
23164	12.60	14	12 1/4	PLB23164	12 13/16	35	36 1/2	10 1/2	41 3/4	15 3/4	1 7/8	4 1/2	16 1/4	26	1,504.00
23168	13.39	15	13	PLB23168	14	36 3/4	38 1/4	10 3/4	43 3/4	18 1/4	2	5	18	28	2,172.00
23172	14.17	16	13 3/4	PLB23172	14 1/2	39 1/4	40 3/4	11	46	17 1/8	2	5	18	28 3/4	2,322.00
23176	14.96	17	14 1/2	PLB23176	14 1/2	39 1/4	40 3/4	11	46	17 1/8	2	5	18	28 3/4	2,348.00
23180	15.75	17 1/2	15 1/4	PLB23180	15 1/2	41 1/2	43 1/2	12 1/4	48 3/4	18 3/4	2 1/4	5 1/2	19 3/8	31	2,979.00
23184	16.54	18 1/2	15 3/4	PLB23184	17	44 1/2	46 5/8	14 1/2	52 3/4	22 1/4	2 1/4	5 1/2	21 3/4	34	3,894.00
23188	17.32	19 1/2	17	PLB23188	17	44 1/2	46 5/8	14 1/2	52 3/4	22 1/4	2 1/4	5 1/2	21 3/4	34	3,852.00
23192	18.11	20	17 3/4	PLB23192	18	47 1/8	48 7/8	15	54 1/4	21 5/8	2 1/2	5 3/4	22 3/4	35 3/4	4,391.00

Additional Notes

- Please Call 1-866-REXNORD for availability
- Lubrication Fitting Tap Size, 1/4 in PT
- Expansion is 3/8 in for all shaft sizes
- Multi-labyrinth seals standard
- For the Selection Guide, Load Ratings and Speed Limits, see the Link-Belt Split Housed Spherical Roller Bearings Engineering section on pages 228 - 241.
- Note: Dimensions subject to change. Certified dimensions of ordered material furnished on request.

PLB23200K

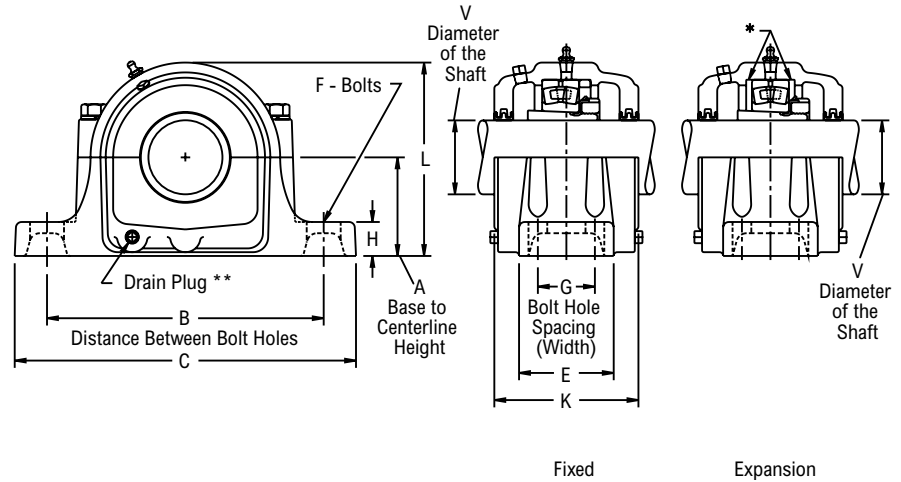
Interchange: USDAF, SDAF23200KA, SDAF23200K



Photo Shows a 2-Bolt Spherical Roller Bearing Two-Piece Pillow Block Unit

Product Features

- Corrosion-resistant powder coating
- Two piece cast iron housing
- Broad range of sealing options
- Fixed or Expansion - up to 3/8 in expansion
- Matched base & cap
- Large reservoir for grease or oil storage
- Tapered adapter mounted
- See Features and Benefits for additional info on pages 224 - 225.



Bearing Dimensions

Size Code	Shaft Diameter	Part Number	A Base to Centerline Height	B Min. Distance Between Bolt Holes	B Max. Distance Between Bolt Holes	G Bolt Hole Spacing (Width)	C	E	F Bolts	H	K	L	Approx. Weight
Four-Bolt Pillow Block													
23244	8	PLB23244K8	9 1/2	24 3/4	27 7/8	5 1/4	32 3/4	8 3/4	1 1/2	3 3/4	13 1/8	18 5/8	712.00
23248	8 15/16	PLB23248K81516	10 1/4	29	30 1/2	8 3/4	35	14 1/2	1 5/8	3 3/4	14 1/8	20 1/2	1,080.00
23252	9 7/16	PLB23252K9716	12	32 3/4	33 1/2	9	38 1/4	15 1/8	1 5/8	3 1/2	16 1/2	24	1,301.00
23256	10 7/16	PLB23256K10716	12	32 3/4	33 1/2	9	38 1/4	15 1/8	1 5/8	3 1/2	16 1/2	24	1,400.00
23260	10 15/16	PLB23260K101516	12 13/16	35	36 1/2	10 1/2	41 3/4	15 3/4	1 7/8	4 1/2	16 1/4	26	1,822.00
23264	11 15/16	PLB23264K111516	14	36 3/4	38 1/4	10 3/4	43 3/4	18 1/4	2	5	18	28	2,173.00
23268	12 7/16	PLB23268K12716	14 1/2	39 1/4	40 3/4	11	46	17 1/8	2	5	18	28 3/4	2,582.00
23272	13 7/16	PLB23272K13716	15 1/2	41 1/2	43 1/2	12 1/4	48 3/4	18 3/4	2 1/4	5 1/2	19 3/8	31	3,278.00
23276	13 15/16	PLB23276K131516	15 1/2	41 1/2	43 1/2	12 1/4	48 3/4	18 3/4	2 1/4	5 1/2	19 3/8	31	3,245.00
23280	15	PLB23280K15	17	44 1/2	46 5/8	14 1/2	52 3/4	22 1/4	2 1/4	5 1/2	21 3/4	34	4,297.00
23284	15 3/4	PLB23284K1534	18	47 1/8	48 7/8	15	54 1/4	21 5/8	2 1/2	5 3/4	22 3/4	35 3/4	4,800.00
23288	16 1/2	PLB23288K1612	18	47 1/8	48 7/8	15	54 1/4	21 5/8	2 1/2	5 3/4	22 3/4	35 3/4	4,798.00
23292	17	PLB23292K17	18	47 1/8	48 7/8	15	54 1/4	21 5/8	2 1/2	5 3/4	22 3/4	35 3/4	4,461.00
23296	18	PLB23296K18	20	52 1/2	54	16	60	22	3	6	24 5/8	40	6,362.00

Additional Notes

- Please Call 1-866-REXNORD for availability
- Lubrication Fitting Tap Size, 1/4 in PT
- Expansion is 3/8 in for all shaft sizes
- Multi-labyrinth seals standard
- For the Selection Guide, Load Ratings and Speed Limits, see the Link-Belt Split Housed Spherical Roller Bearings Engineering section on pages 228 - 241.
- Note: Dimensions subject to change. Certified dimensions of ordered material furnished on request.

PLB23200

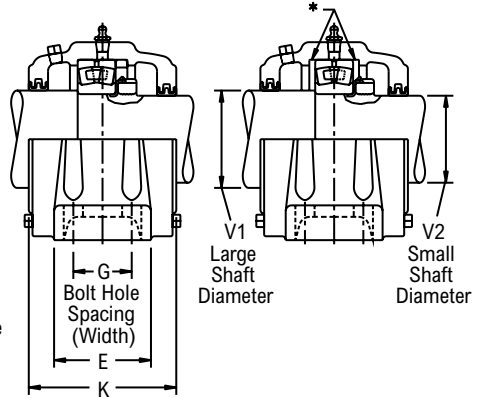
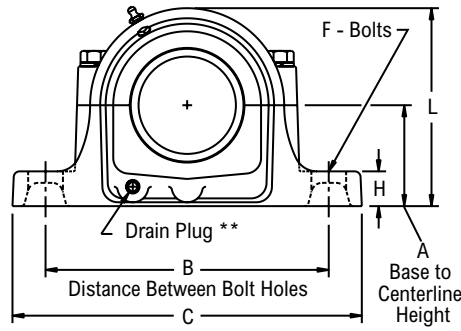
Interchange: USDAF, SDAF23200



Photo Shows a 2-Bolt Spherical Roller Bearing Two-Piece Pillow Block Unit

Product Features

- Corrosion-resistant powder coating
- Two piece cast iron housing
- Fixed or Expansion - up to 3/8 in expansion
- Matched base & cap
- Large reservoir for grease or oil storage
- Direct shaft mounted
- See Features and Benefits for additional info on pages 224 - 225.



Fixed

Expansion

Bearing Dimensions

Size Code	Shaft Diameter	V1 Large Shaft Diameter	V2 Small Shaft Diameter	Part Number	A Base to Centerline Height	B Min. Distance Between Bolt Holes	B Max. Distance Between Bolt Holes	G Bolt Hole Spacing (Width)	C	E	F Bolts	H	K	L	Approx. Weight
Four-Bolt Pillow Block															
23248	9.45	10 1/2	9 3/16	PLB23248	10 1/4	29	30 1/2	8 3/4	35	14 1/2	1 5/8	3 3/4	14 1/8	20 1/2	1,032.00
23252	10.24	11 1/2	9 15/16	PLB23252	12	32 3/4	33 1/2	9	38 1/4	15 1/8	1 5/8	3 1/2	16 1/2	24	1,247.00
23256	11.02	12 1/2	10 3/4	PLB23256	12	32 3/4	33 1/2	9	38 1/4	15 1/8	1 5/8	3 1/2	16 1/2	24	1,400.00
23260	11.81	13	11 1/2	PLB23260	12 13/16	35	36 1/2	10 1/2	41 3/4	15 3/4	1 7/8	4 1/2	16 1/4	26	1,754.00
23264	12.60	14	12 1/4	PLB23264	14	36 3/4	38 1/4	10 3/4	43 3/4	18 1/4	2	5	18	28	2,243.00
23268	13.39	15	13	PLB23268	14 1/2	39 1/4	40 3/4	11	46	17 1/8	2	5	18	28 3/4	2,492.00
23272	14.17	16	13 3/4	PLB23272	15 1/2	41 1/2	43 1/2	12 1/4	48 3/4	18 3/4	2 1/4	5 1/2	19 3/8	31	3,143.00
23276	14.96	17	14 1/2	PLB23276	15 1/2	41 1/2	43 1/2	12 1/4	48 3/4	18 3/4	2 1/4	5 1/2	19 3/8	31	3,100.00
23280	15.75	17 1/2	15 1/4	PLB23280	17	44 1/2	46 5/8	14 1/2	52 3/4	22 1/4	2 1/4	5 1/2	21 3/4	34	4,132.00
23284	16.54	18 1/2	15 3/4	PLB23284	18	47 1/8	48 7/8	15	54 1/4	21 5/8	2 1/2	5 3/4	22 3/4	35 3/4	4,636.00
23288	17.32	19 1/2	17	PLB23288	18	47 1/8	48 7/8	15	54 1/4	21 5/8	2 1/2	5 3/4	22 3/4	35 3/4	4,608.00
23292	18.11	20	17 3/4	PLB23292	18	47 1/8	48 7/8	15	54 1/4	21 5/8	2 1/2	5 3/4	22 3/4	35 3/4	4,461.00

Additional Notes

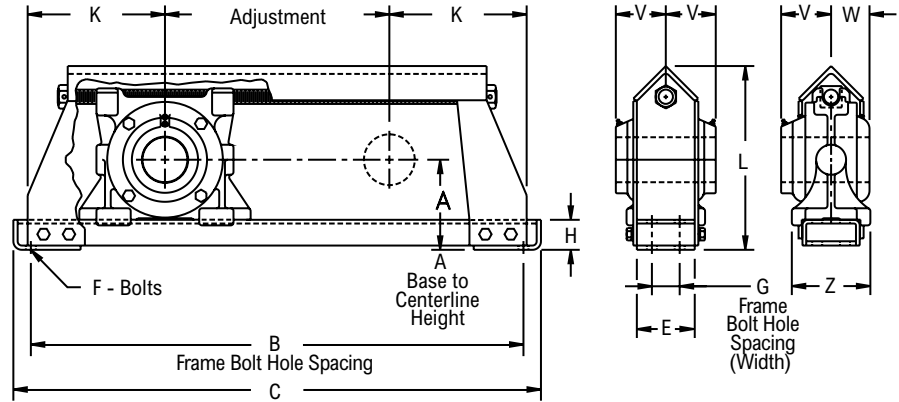
- Please Call 1-866-REXNORD for availability
- Lubrication Fitting Tap Size, 1/4 in PT
- Expansion is 3/8 in for all shaft sizes
- Multi-labyrinth seals standard
- For the Selection Guide, Load Ratings and Speed Limits, see the Link-Belt Split Housed Spherical Roller Bearings Engineering section on pages 228 - 241.
- Note: Dimensions subject to change. Certified dimensions of ordered material furnished on request.



Photo Shows a Hinged Top, Welded Steel Conveyor Take-Up Frame with Spherical Roller Bearing Take-Up Unit

Product Features

- Protected screw type frame
- Corrosion-resistant powder coating
- Cast iron housing
- Independently flushable D8 seals
- Tapered adapter mounted
- See Features and Benefits for additional info on pages 224 - 225.



Bearing Dimensions

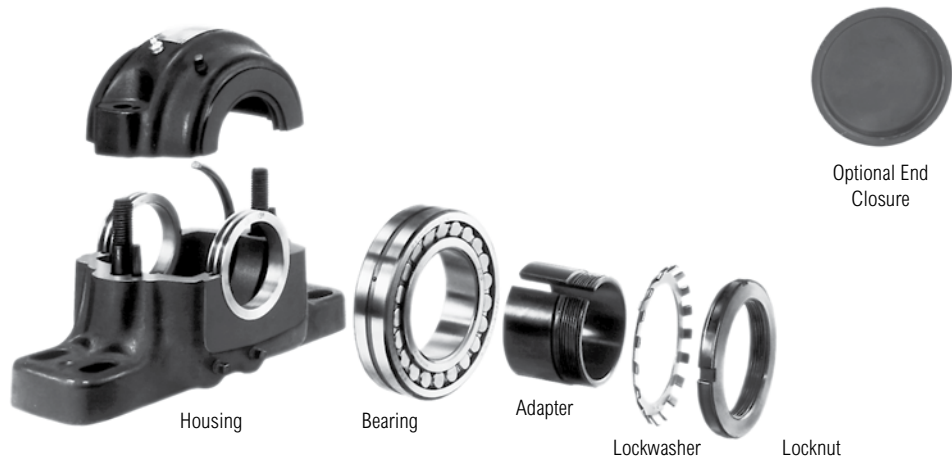
Size Code	Shaft Diameter	Adjust.	Part Number	A Base to Centerline Height	B Frame Bolt Hole Spacing	G Frame Bolt Hole Spacing (Width)	C	E	F Bolts	H	K	L	V	W	Z	Approx. Weight
22215	2 7/16	12	DSLB683912	5 1/8	30 1/2	2	32 1/2	4	5/8	2	9 1/4	10 7/8	3 15/32	2 19/32	5 5/8	94.00
		18	DSLB683918		36 1/2		38 1/2									103.00
		24	DSLB683924		42 1/2		44 1/2									111.00
		30	DSLB683930		48 1/2		50 1/2									119.00
22217	2 15/16	12	DSLB684712	5 5/8	32	2	34 1/4	4	3/4	2	10	11 13/16	3 1/2	2 5/8	5 5/8	120.00
		18	DSLB684718		38		40 1/4									130.00
		24	DSLB684724		44		46 1/4									145.00
		30	DSLB684730		50		52 1/4									155.00
22220	3 7/16	12	DSLB685512	7	36	2 1/2	38 1/2	5	3/4	2 1/4	12	14 11/16	4 1/8	3 1/4	6 7/8	206.00
		18	DSLB685518		42		44 1/2									218.00
		24	DSLB685524		48		50 1/2									230.00
		30	DSLB685530		54		56 1/2									242.00
22222	3 15/16	12	DSLB686312	7 1/2	36	2 1/2	38 1/2	5	3/4	2 1/4	12	15 11/16	4 3/8	3 1/2	6 7/8	255.00
		18	DSLB686318		42		44 1/2									270.00
		24	DSLB686324		48		50 1/2									285.00
		30	DSLB686330		54		56 1/2									300.00
22226	4 7/16	18	DSLB687118	10	47	3	50 1/2	6	7/8	4	14 1/2	20 1/4	4 7/8	3 3/4	7 7/8	414.00
		24	DSLB687124		53		56 1/2									432.00
		30	DSLB687130		59		62 1/2									450.00
22228	4 15/16	18	DSLB687918	10 1/2	49	3	52 1/2	6	1	4	15 1/2	21 1/8	4 3/4	3 27/32	7 7/8	475.00
		24	DSLB687924		55		58 1/2									494.00
		30	DSLB687930		61		64 1/2									515.00

Additional Notes

- Please call 1-866-REXNORD for availability
- Expansion - is 3/8 in for all shaft sizes
- For shaft sizes 2 7/16 in thru 2 15/16 in, frame has removable top construction
- Frames with adjustment of 18" or more have center supporting pad welded to bottom of frame
- Taconite seals standard

For the Selection Guide, Load Ratings and Speed Limits, see the Link-Belt Split Housed Spherical Roller Bearings Engineering section on pages 228 - 241.
 Note: Dimensions subject to change. Certified dimensions of ordered material furnished on request.

PLB6600, PLB6800, PLB66M00, PLB68M00 Spherical Roller Bearing Unit Replacement Parts



Shaft Diameter	Pillow Block	Spherical Roller Bearing	Labyrinth Seal	Adapter Assembly	C-Spacer Ring	End Closure	2-Bolt Cast Iron Adapter Housing	4-Bolt Cast Iron Adapter Housing
	Part Number	Part Number	Part Number	Part Number	Part Number	Part Number	Part Number	Part Number
1 7/16	PLB6823R	22209LBKC3	LB69233R	H309023	68244	LB69246R	PLB6823R02	-
1 1/2	PLB6824R	22209LBKC3	LB69243R	H309024	68244	LB69246R	PLB6824R02	-
1 11/16	PLB6827R	22210LBKC3	LB69273R	H310027	68284	LB69286R	PLB6827R02	-
1 3/4	PLB6828R	22210LBKC3	LB69283R	H310028	68284	LB69286R	PLB6828R02	-
1 15/16	PLB6831R	22211LBKC3	LB69313RA	H311031	69244	LB69326R	PLB6831R02	-
2	PLB6832R	22211LBKC3	LB69323R	H311032	69244	LB69326R	PLB6832R02	-
2 3/16	PLB6835R	22213LBKC3	LB69353RA	H313035	69324	LB69366R	PLB6835R02	-
2 7/16	PLB6839R*	22215LBKC3	LB68393RA	H315039	68404	LB68406R	PLB6839R02	-
2 11/16	PLB6843R*	22216LBKC3	LB68433RA	H316043	68444	LB68446R	PLB6843R02	-
2 15/16	PLB6847R*	22217LBKC3	LB68473RA	H317047	68484	LB68486R	PLB6847R02	-
3	PLB6848R*	22217LBKC3	LB68483R	H317048	68484	LB68486R	PLB6848R02	-
3 3/16	PLB6851R*	22218LBKC3	LB68513R	H318051	68524	LB68526R	PLB6851R02	-
3 7/16	PLB6855R*	22220LBKC3	LB68553RA	H320055	68564	LB68566R	PLB6855R02	-
3 1/2	PLB6856R*	22220LBKC3	LB68563R	H320056	68564	LB68566R	PLB6856R02	-
3 11/16	PLB6859FR	22222LBKC3	LB68593R	H322059	68644	LB68646R	-	PLB6859FR02
3 15/16	PLB6863FR	22222LBKC3	LB68633RA	H322063	68644	LB68646R	-	PLB6863FR02
4	PLB6864FR	22222LBKC3	LB68643R	H322064	68644	LB68646R	-	PLB6864FR02
4 3/16	PLB6867FR	22224LBKC3	LB68673R	H3124067	68684	LB68686R	-	PLB6867FR02
4 7/16	PLB6871FR	22226LBKC3	LB68713RA	H3126071	68724	LB68726R	-	PLB6871FR02
4 1/2	PLB6872FR	22226LBKC3	LB68723R	H3126072	68724	LB68726R	-	PLB6872FR02
4 15/16	PLB6879FR	22228LBKC3	LB68793R	H3128079	68804	LB68806R	-	PLB6879FR02
5	PLB6880FR	22228LBKC3	LB68803R	H3128080	68804	LB68806R	-	PLB6880FR02
5 3/16	PLB6883FR	22230LBKC3	LB68833R	H3130083	68844	LB68846R	-	PLB6883FR02
5 7/16	PLB6887FR	22232LBKC3	LB68873R	H3132087	68924	LB68886R	-	PLB6887FR02
5 15/16	PLB6895FR	22234LBKC3	LB68953R	H3134095	68964	LB68966R	-	PLB6895FR02
6	PLB6896FR	22234LBKC3	LB68963R	H3134096	68964	LB68966R	-	PLB6896FR02
6 7/16	PLB68103FR	22236LBKC3	LB681033R	H3136103	681044	LB681046R	-	PLB68103FR02
6 1/2	PLB68104FR	22236LBKC3	LB681043R	H3136104	681044	LB681046R	-	PLB68104FR02
6 15/16	PLB68111FR	22238LBKC3	LB681113R	H3138111	681124	LB681126R	-	PLB68111FR02
7	PLB68112FR	22238LBKC3	LB681123R	H3138112	681124	LB681126R	-	PLB68112FR02
7 3/16	PLB68115FR	22240LBKC3	LB681153R	H3140115	681164	LB681166R	-	PLB68115FR02
7 1/2	PLB68120FR	22244LBKC3	LB681203R	H3144120	681284	LB681286R	-	PLB68120FR02
7 15/16	PLB68127FR	22244LBKC3	LB681273R	H3144127	681284	LB681286R	-	PLB68127FR02
8	PLB68128FR	22244LBKC3	LB681283R	SNW448	681284	LB681286R	-	PLB68128FR02

Continued...

Continued...

Bearing Dimensions

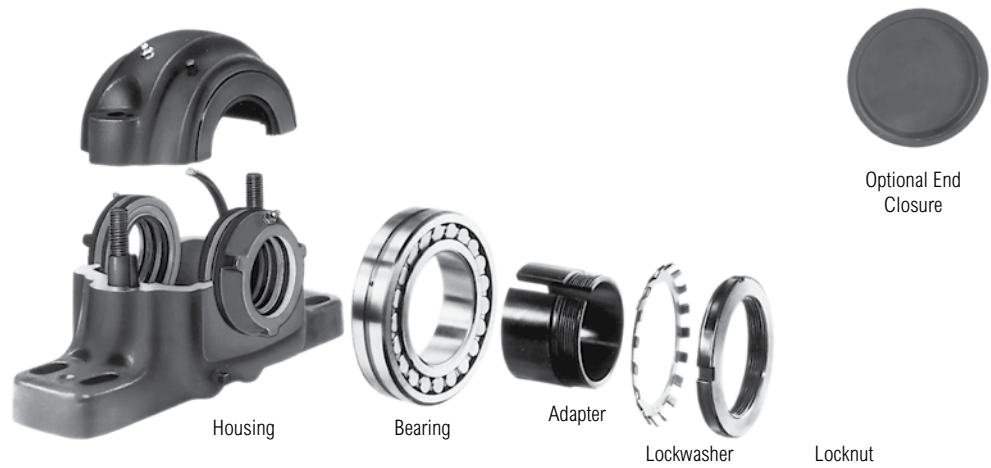
Shaft Diameter	Pillow Block	SpRerical Roller Bearing	LabyrintR Seal	Adapter Assembly	C-Spacer Ring	End Closure	2-Bolt Cast Iron Adapter Rousing	4-Bolt Cast Iron Adapter Rousing
	Part Number	Part Number	Part Number	Part Number	Part Number	Part Number	Part Number	Part Number
8 7/16	PLB66135FR	23048LBKC3	LB661353R	SNP30488716	661444	LB661446	-	PLB66135FR02
8 1/2	PLB66136FR	23048LBKC3	LB661363R	SNP3048812	661444	LB661446	-	PLB66136FR02
9	PLB66144FR	23048LBKC3	LB661443R	SNP30489	661444	LB661446	-	PLB66144FR02
9 7/16	PLB66B151FR	23056LBKC3	LB66B1513R	SNP30569716	661684	LB661686	-	PLB66B151FR02
9 1/2	PLB66B152FR	23056LBKC3	LB66B1523R	SNP3056912	661684	LB661686	-	PLB66B152FR02
9 15/16	PLB66159FR	23056LBKC3	LB661593R	SNP305691516	661684	LB661686	-	PLB66159FR02
10	PLB66160FR	23056LBKC3	LB661603R	SNP305610	661684	LB661686	-	PLB66160FR02
10 7/16	PLB66167FR	23056LBKC3	LB661673R	SNP305610716	661684	LB661686	-	PLB66167FR02
10 1/2	PLB66168FR	23056LBKC3	LB661683R	SNP30561012	661684	LB661686	-	PLB66168FR02
40.00	PLB68M40R	22209LBKC3	LB69M403R	H309	68244	LB69246R	PLB68M40R02	-
45.00	PLB68M45R	22210LBKC3	LB69M453R	H310	68284	LB69286R	PLB68M45R02	-
50.00	PLB68M50R	22211LBKC3	LB69M503R	H311	69244	LB69326R	PLB68M50R02	-
60.00	PLB68M60R	22213LBKC3	LB69M603R	H313	69324	LB69M606R	PLB68M60R02	-
65.00	PLB68M65R*	22215LBKC3	LB68M653R	H315	68404	LB68M656R	PLB68M65R02	-
70.00	PLB68M70R*	22216LBKC3	LB68M703R	H316	68444	LB68446R	PLB68M70R02	-
75.00	PLB68M75R*	22217LBKC3	LB68M753R	H317	68484	LB68486R	PLB68M75R02	-
80.00	PLB68M80R*	22218LBKC3	LB68M803R	H318	68524	LB68526R	PLB68M80R02	-
90.00	PLB68M90R*	22220LBKC3	LB68M903R	H320	68564	LB68566R	PLB68M90R02	-
100.00	PLB68M100FR	22222LBKC3	LB68633R	H322	68644	LB68646R	-	PLB68M100FR02
110.00	PLB68M110FR	22224LBKC3	LB68M1103R	H3124	68684	LB68686R	-	PLB68M110FR02
115.00	PLB68M115FR	22226LBKC3	LB68M1153R	H3126	68724	LB68726R	-	PLB68M115FR02
125.00	PLB68M125FR	22228LBKC3	LB68M1253R	H3128	68804	LB68806R	-	PLB68M125FR02
135.00	PLB68M135FR	22230LBKC3	LB68M1353R	H3130	68844	LB68846R	-	PLB68M135FR02
140.00	PLB68M140FR	22232LBKC3	LB68M1403R	H3132	68924	LB68886R	-	PLB68M140FR02
150.00	PLB68M150FR	22234LBKC3	LB68M1503R	H3134	68964	LB68966R	-	PLB68M150FR02
160.00	PLB68M160FR	22236LBKC3	LB68M1603R	H3136	681044	LB681046R	-	PLB68M160FR02
170.00	PLB68M170FR	22238LBKC3	LB68M1703R	H3138	681124	LB681126R	-	PLB68M170FR02
180.00	PLB68M180FR	22240LBKC3	LB68M1803R	H3140	681164	LB681166R	-	PLB68M180FR02
200.00	PLB68M200FR	22244LBKC3	LB68M2003R	H3144	681284	LB681286R	-	PLB68M200FR02
220.00	PLB66M220FR	23048LBKC3	LB66M2203R	H3048	661444	LB661446	-	PLB66M220FR02
260.00	PLB66M260FR	23056LBKC3	LB66M2603R	H3056	661684	LB661686	-	PLB66M260FR02

Additional Notes

*2-bolt base listed. For 4-bolt base add suffix F; i.e. PLB6839FR Pillow Block or PLB6839FR02 housing.

Housing part numbers listed above include seals and C-Spacer ring.

PLB6600D8, PLB6800D8 Spherical Roller Bearing Unit Replacement Parts



Bearing Dimensions

Shaft Diameter	Pillow Block	Spherical Roller Bearing	D8 Seal	Adapter Assembly	C-Spacer	End Closure	2-Bolt Cast Iron Adapter Mounted Housing	4-Bolt Cast Iron Adapter Mounted Housing
	Part Number	Part Number	Part Number	Part Number	Part Number	Part Number	Part Number	Part Number
1 ⁷ / ₁₆	PLB6823D8	22209LBKC3	LB6923D8	H309023	68244	LB6924D86	PLB6823D802	-
1 ¹ / ₂	PLB6824D8	22209LBKC3	LB6924D8	H309024	68244	LB6924D86	PLB6824D802	-
1 ¹¹ / ₁₆	PLB6827D8	22210LBKC3	LB6927D8	H310027	68284	LB6928D86	PLB6827D802	-
1 ¹⁵ / ₁₆	PLB6831D8	22211LBKC3	LB6931D8	H311031	69244	LB6932D86	PLB6831D802	-
2 ³ / ₁₆	PLB6835D8	22213LBKC3	LB6935D8	H313035	69324	LB6936D86	PLB6835D802	-
2 ⁷ / ₁₆	PLB6839D8*	22215LBKC3	LB6839D8	H315039	68404	LB6840D86	PLB6839D802	-
2 ¹¹ / ₁₆	PLB6843D8*	22216LBKC3	LB6843D8	H316043	68444	LB6844D86	PLB6843D802	-
2 ¹⁵ / ₁₆	PLB6847D8*	22217LBKC3	LB6847D8	H317047	68484	LB6848D86	PLB6847D802	-
3	PLB6848D8*	22217LBKC3	LB6848D8	H317048	68484	LB6848D86	PLB6848D802	-
3 ⁷ / ₁₆	PLB6855D8*	22220LBKC3	LB6855D8	H320055	68564	LB6856D86	PLB6855D802	-
3 ¹¹ / ₁₆	PLB6859FD8	22222LBKC3	LB6859D8	H322059	68644	LB6868D86	-	PLB6859FD802
3 ¹⁵ / ₁₆	PLB6863FD8	22222LBKC3	LB6863D8	H322063	68644	LB6868D86	-	PLB6863FD802
4 ³ / ₁₆	PLB6867FD8	22224LBKC3	LB6867D8	H3124067	68684	LB6868D86	-	PLB6867FD802
4 ⁷ / ₁₆	PLB6871FD8	22226LBKC3	LB6871D8	H3126071	68724	LB6880D86	-	PLB6871FD802
4 ¹⁵ / ₁₆	PLB6879FD8	22228LBKC3	LB6879D8	H3128079	68804	LB6880D86	-	PLB6879FD802
5 ⁷ / ₁₆	PLB6887FD8	22232LBKC3	LB6887D8	H3132087	68924	LB6888D86	-	PLB6887FD802
5 ¹⁵ / ₁₆	PLB6895FD8	22234LBKC3	LB6895D8	H3134095	68964	LB68104D86	-	PLB6895FD802
6	PLB6896FD8	22234LBKC3	LB6896D8	H3134096	68964	LB68104D86	-	PLB6896FD802
6 ⁷ / ₁₆	PLB68103FD8	22236LBKC3	LB68103D8	H3136103	681044	LB68104D86	-	PLB68103FD802
6 ¹ / ₂	PLB68104FD8	22236LBKC3	LB68104D8	H3136104	681044	LB68104D86	-	PLB68104FD802
6 ¹⁵ / ₁₆	PLB68111FD8	22238LBKC3	LB68111D8	H3138111	681124	LB68112D86	-	PLB68111FD802
7	PLB68112FD8	22238LBKC3	LB68112D8	H3138112	681124	LB68112D86	-	PLB68112FD802
7 ¹ / ₂	PLB68120FD8	22244LBKC3	LB68120D8	H3144120	681284	LB68128D86	-	PLB68120FD802
7 ¹⁵ / ₁₆	PLB68127FD8	22244LBKC3	LB68127D8	H3144127	681284	LB68128D86	-	PLB68127FD802
8	PLB68128FD8	22244LBKC3	LB68128D8	SNW448	681284	LB68128D86	-	PLB68128FD802
8 ⁷ / ₁₆	PLB66135FD8	23048LBKC3	LB66135D8	SNP30488716	661444	LB66144D86	-	PLB66135FD802
8 ¹ / ₂	PLB66136FD8	23048LBKC3	LB66136D8	SNP3048812	661444	LB66144D86	-	PLB66136FD802
9	PLB66144FD8	23048LBKC3	LB66144D8	SNP30489	661444	LB66144D86	-	PLB66144FD802

Additional Notes

*2-bolt base listed. For 4-bolt base add suffix F; i.e. PLB6839FD8 Pillow Block or PLB6839FD802 housing.

Housing part numbers listed above include seals and C-Spacer ring.

PLB6900, SAF22600 Spherical Roller Bearing Unit Replacement Parts



Bearing Dimensions

Shaft Diameter	Pillow Block	Spherical Roller Bearing	Multi-Labyrinth Seal Type R	Adapter Assembly	C-Spacer	End Closure	2-Bolt Cast Iron Adapter Mounted Housing	4-Bolt Cast Iron Adapter Mounted Housing
	Part Number	Part Number	Part Number	Part Number	Part Number	Part Number	Part Number	Part Number
1 7/16	PLB6923R	22309LBKC3	LB69233R	H2309023	69244	LB69246R	PLB6923R02	-
1 1/2	PLB6924R	22309LBKC3	LB69243R	SNW109112	69244	LB69246R	PLB6924R02	-
1 11/16	PLB6927R	22310LBKC3	LB69273R	H2310027	69284	LB69286R	PLB6927R02	-
1 15/16	PLB6931R	22311LBKC3	LB69313RA	SNW11111516	69324	LB69326R	PLB6931R02	-
2	PLB6932R	22311LBKC3	LB69323R	H2311032	69324	LB69326R	PLB6932R02	-
2 3/16	PLB6935R*	22313LBKC3	L69353R	H2313035	68444	LB69366R	PLB6935R02	-
2 7/16	PLB6939R	22315LBKC3	LB68393RA	H2315039	68524	LB68406R	PLB6939R02	-
2 1/2	PLB6940R	22315LBKC3	LB68403R	SNW115212	68524	LB68406R	PLB6940R02	-
2 15/16	PLB6947FR	22317LBKC3	LB69473K	H2317047	68564	LB68486R	-	PLB6947FR02
3 3/16	SAF22618303	22318LBKC3	LB68513R	H2318051	68644	LB68526R	-	SAF61830302
3 7/16	SAF22620307	22320LBKC3	LB68553RA	H2320055	68684	LB68566R	-	SAF62030702
3 1/2	SAF22620308	22320LBKC3	LB68563R	SNW120312	68684	LB68566R	-	SAF62030802
3 15/16	SAF22622315	22322LBKC3	LB68633RA	H2322063	69644	LB68646R	-	SAF62231502
4	SAF22622400	22322LBKC3	LB68643R	SNW1224	69644	LB68646R	-	SAF62240002
4 3/16	SAF22624403	22324LBKC3	LB68673R	SNW1244316	69684	LB68686R	-	SAF62440302
4 7/16	SAF22626407	22326LBKC3	LB68713RA	SNW1264716	69724	LB68726R	-	SAF62640702
4 15/16	SAF22628415	22328LBKC3	LB68793R	SNW12841516	69804	LB68806R	-	SAF62841502
5	SAF22628500	22328LBKC3	LB68803R	SNW1285	69804	LB68806R	-	SAF62850002
5 3/16	SAF22630503	22330LBKC3	LB68833R	SNW1305316	69844	LB68846R	-	SAF63050302
5 7/16	SAF22632507	22332LBKC3	LB68873R	SNW1325716	681124	LB68886R	-	SAF63250702
5 15/16	SAF22634515	22334LBKC3	LB68953R	SNW13451516	69964	LB68966R	-	SAF63451502
8 15/16	PLB22648K81516	22348LBKC3	-	SNP14881516	-	-	-	PLB6947FR02
10 7/16	PLB22656K10716	22356LBKC3	-	H235610716	-	-	-	PLB6947FR02

Additional Notes

*2-bolt base listed. For 4-bolt base add suffix F; i.e. PLB6939FR Pillow Block or PLB6939FR02 housing.

Housing part numbers listed above include seals and C-Spacer ring.

PLB7600, PLB7800 Spherical Roller Bearing Unit Replacement Parts



Bearing Dimensions

Shaft Diameter	Pillow Block	Spherical Roller Bearing	Labyrinth Seal		C-Spacer	End Closure	2-Bolt Cast Iron Adapter Mounted Housing	4-Bolt Cast Iron Adapter Mounted Housing
			V1	V2				
	Part Number	Part Number	Part Number	Part Number	Part Number	Part Number	Part Number	Part Number
2.9528	PLB7875R*	22215LBC3	L78753R1	LB78753R2	68404	LB68446R	PLB7875R02	-
3.1496	PLB7880R*	22216LBC3	L78803R1	LB68483R	68444	LB68486R	PLB7880R02	-
3.3465	PLB7885R*	22217LBC3	L78853R1	L78853R2	68484	L78856R	PLB7885R02	-
3.5433	PLB7890R*	22218LBC3	LB68663R	L78903R2	68524	LB68526R	PLB7890R02	-
3.9370	PLB78100R*	22220LBC3	LB68723R	L781003R2	68564	L781006R	PLB78100R02	-
4.3307	PLB78110FR	22222LBC3	LB68783R	LB68673R	68644	LB68686R	-	PLB78110FR02
4.7244	PLB78120FR	22224LBC3	LB68853R	LB781203R2	68684	LB68726R	-	PLB78120FR02
5.1181	PLB78130FR	22226LBC3	L781303R1	LB68793R	68724	LB68806R	-	PLB78130FR02
5.5118	PLB78140FR	22228LBC3	L781403R1	LB68853R	68804	LB68846R	-	PLB78140FR02
5.9055	PLB78150FR	22230LBC3	L781503R1	L781503R2	68844	L781506R	-	PLB78150FR02
6.2992	PLB78160FR	22232LBC3	LB681123R	LB781603R2	68924	LB68966R	-	PLB78160FR02
6.6929	PLB78170FR	22234LBC3	L781703R1	LB681033R	68964	LB681046R	-	PLB78170FR02
7.0866	PLB78180FR	22236LBC3	LB681253R	LB681103R	681044	LB681126R	-	PLB78180FR02
7.4803	PLB78190FR	22238LBC3	L781903R1	LB681163R	681124	LB681166R	-	PLB78190FR02
7.8740	PLB78200FR	22240LBC3	L782003R1	L782003R2	681164	L782006R	-	PLB78200FR02
8.6614	PLB78220FR	22244LBC3	L782203R1	L782203R2	681284	L782206R	-	PLB78220FR02
8.6614	PLB22244	22244LBC3	-	-	-	-	-	PLB24402
9.4488	PLB76240FR	23048LBC3	LB661683R	LB762403R2	661444	LB661686	-	PLB76240FR02
9.4488	PLB22248	22248LBC3	-	-	-	-	-	PLB24802
11.0236	PLB76280FR	23056LBC3	LB762803R1	LB762803R2	661684	LB762806	-	PLB76280FR02

Additional Notes

*2-bolt base listed. For 4-bolt base add suffix F; i.e. PLB7875FR Pillow Block or PLB7875FR02 housing.

Housing part numbers listed above include seals and C-Spacer ring.

PLB7900, SAF22300 Spherical Roller Bearing Unit Replacement Parts



Bearing Dimensions

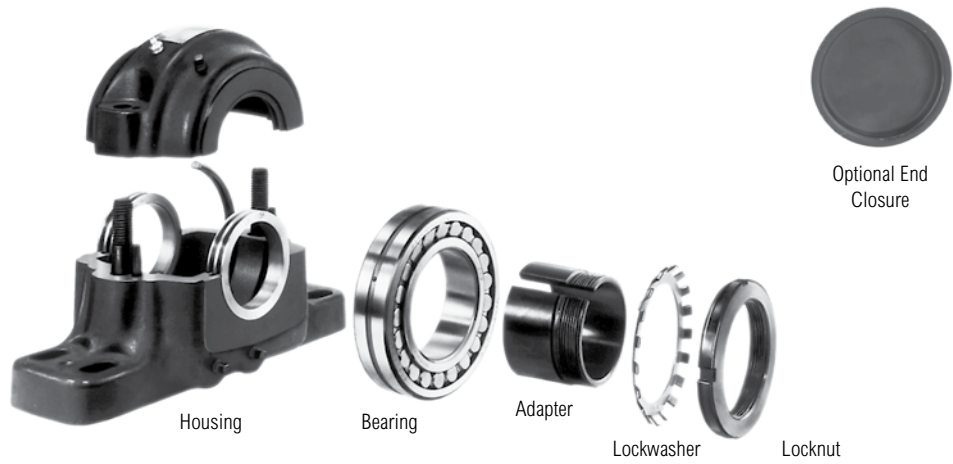
Shaft Diameter	Pillow Block Part Number	Spherical Roller Bearing Part Number	Labyrinth Seal		C-Spacer Part Number	End Closure Part Number	2-Bolt Cast Iron Adapter Mounted Housing Part Number	4-Bolt Cast Iron Adapter Mounted Housing Part Number
			V1	V2				
			Part Number	Part Number				
1.7717	PLB7945R	22309LBC3	LB69343R	LB69273R	69244	LB69286R	PLB7945R02	-
1.9685	PLB7950R	22310LBC3	L79503R1	LB69303R	69284	LB69326R	PLB7950R02	-
2.1654	PLB7955R*	22311LBC3	LB79553R1	LB69333R	69324	LB69366R	PLB7955R02	-
2.5591	PLB7965R*	22313LBC3	LB79653R1	LB68393RA	68444	LB68406R	PLB7965R02	-
2.9528	PLB7975R	22315LBC3	L78753R1	LB78753R2	68524	LB68446R	PLB7975R02	-
3.3465	PLB7985R*	22317LBC3	L78853R1	L78853R2	68564	L78856R	PLB7985R02	-
3.5433	SAF22318	22318LBC3	LB68663R	L78903R2	69564	LB68526R	-	SAF31802
3.9370	SAF22320	22320LBC3	LB68723R	L781003R2	68684	L781006R	-	SAF32002
4.3307	SAF22322	22322LBC3	LB68783R	LB68673R	69644	LB68686R	-	SAF32202
4.7244	SAF22324	22324LBC3	LB688853R	LB781203R2	69684	LB68726R	-	SAF32402
5.1181	SAF22326	22326LBC3	L781303R1	LB68793R	69724	LB68806R	-	SAF32602
5.5118	SAF22328	22328LBC3	L781403R1	LB688853R	69804	LB68846R	-	SAF32802
5.9055	SAF22330	22330LBC3	L781503R1	L781503R2	69844	L781506R	-	SAF33002
6.2992	SAF22332	22332LBC3	LB681123R	LB781603R2	69884	LB68966R	-	SAF33202
6.6929	SAF22334	22334LBC3	L781703R1	LB681033R	69964	LB681046R	-	SAF33402
9.4488	PLB22348	22348LBC3	-	-	-	-	-	PLB34802
11.0236	PLB22356	22356LBC3	-	-	-	-	-	PLB35602

Additional Notes

*2-bolt base listed. For 4-bolt base add suffix F, i.e. PLB7955FR Pillow Block or PLB7955FR02 housing.

Housing part numbers listed above include seals and C-Spacer ring.

PLB23000K Spherical Roller Bearing Unit Replacement Parts



Bearing Dimensions

Shaft Diameter	Part Number	Bearing Insert	Adapter Assy	Housing Part Number
7 ¹⁵ / ₁₆	PLB23044K71516	23044LBKC3	H3044127	PLB044K7151602
8	PLB23044K8	23044LBKC3	SNW30448	PLB044K802
8 1/2	PLB23048K812	23048LBKC3	SNP3048812	PLB048K81202
8 ¹⁵ / ₁₆	PLB23048K81516	23048LBKC3	SNP30481516	PLB048K8151602
9	PLB23048K9	23048LBKC3	SNP30489	PLB048K902
9 ⁷ / ₁₆	PLB23052K9716	23052LBKC3	SNP30529716	PLB052K971602
9 1/2	PLB23052K912	23052LBKC3	SNP30529716	PLB052K91202
9 ¹⁵ / ₁₆	PLB23056K91516	23056LBKC3	SNP305691516	PLB056K9151602
10	PLB23056K10	23056LBKC3	SNP305610	PLB056K1002
10 ⁷ / ₁₆	PLB23056K10716	23056LBKC3	SNP305610716	PLB056K1071602
10 ¹⁵ / ₁₆	PLB23060K101516	23060LBKC3	SNP3060101516	PLB3060K10151602
11	PLB23060K11	23060LBKC3	SNP3060101516	PLB3060K1102
11 ¹⁵ / ₁₆	PLB23064K111516	23064LBKC3	SNP3064111516	PLB3064K11151602
12	PLB23064K12	23064LBKC3	SNP306412	PLB3064K1202
12 1/2	PLB23068K1212	23068LBKC3	SNP30681212	PLB3068K121202
12 ¹⁵ / ₁₆	PLB23072K121516	23072LBKC3	SNP3072121516	PLB3072K12151602
13	PLB23072K13	23072LBKC3	SNP307213	PLB3072K1302
13 ¹⁵ / ₁₆	PLB23076K131516	23076LBKC3	SNP3076131516	PLB3076K13151602
14	PLB23076K14	23076LBKC3	SNP307614	PLB3076K1402
15	PLB23080K15	23080LBKC3	SNP308015	PLB3080K1502
15 3/4	PLB23084K1534	23084LBKC3	SNP30841534	PLB3084K153402
16 1/2	PLB23088K1612	23088LBKC3	SNP30881612	PLB3088K161202
17	PLB23092K17	23092LBKC3	SNP309217	PLB3092K1702
18	PLB23096K18	23096LBKC3	SNP309618	PLB3096K1802
19 1/2	PLB230530K1912	230530LBKC3	SNP305301912	PLB30530K191202
21	PLB230560K21	230560LBKC3	SNP3056021	PLB30560K2102
22	PLB230600K22	230600LBKC3	SNP3060022	PLB30600K2202
24	PLB230630K24	230630LBKC3	SNP3063024	PLB30630K2402

Additional Notes

Housing part numbers listed above include seals and C-Spacer ring.

PLB23000 Spherical Roller Bearing Unit Replacement Parts



Housing

Bearing

Optional End Closure

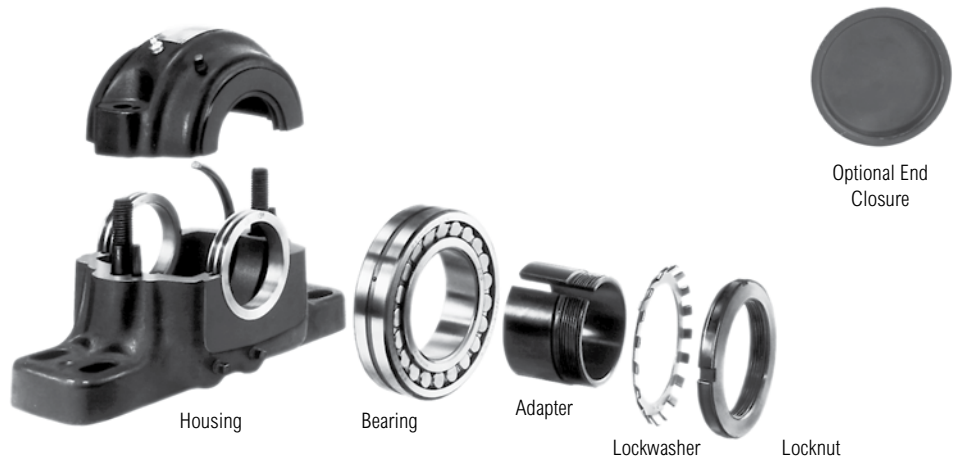
Bearing Dimensions

Shaft Diameter	Part Number	Bearing Insert	Housing Part Number
8.6614	PLB23044	23044LBC3	PLB04402
9.4488	PLB23048	23048LBC3	PLB04802
10.2362	PLB23052	23052LBC3	PLB05202
11.0236	PLB23056	23056LBC3	PLB05602
11.8110	PLB23060	23060LBC3	PLB306002
12.5984	PLB23064	23064LBC3	PLB306402
13.3858	PLB23068	23068LBC3	PLB306802
14.1732	PLB23072	23072LBC3	PLB307202
14.9606	PLB23076	23076LBC3	PLB307602
15.7480	PLB23080	23080LBC3	PLB308002
16.5354	PLB23084	23084LBC3	PLB308402
17.3228	PLB23088	23088LBC3	PLB308802
18.1102	PLB23092	23092LBC3	PLB309202
18.8976	PLB23096	23096LBC3	PLB309602
20.8661	PLB230530	230530LBC3	PLB3053002
22.0472	PLB230560	230560LBC3	PLB3056002

Additional Notes

Housing part numbers listed above include seals and C-Spacer ring.

PLB23100K Spherical Roller Bearing Unit Replacement Parts



Bearing Dimensions

Shaft Diameter	Part Number	Bearing Insert	Adapter Assy	Housing Part Number
8	PLB23144K8	23144LBKC3	SNW30448	PLB3144K802
8 ¹⁵ / ₁₆	PLB23148K81516	23148LBKC3	SNP314881516	PLB3148K8151602
9 ⁷ / ₁₆	PLB23152K9716	23152LBKC3	SNP31529716	PLB3152K971602
10 ⁷ / ₁₆	PLB23156K10716	23156LBKC3	SNP315610716	PLB3156K1071602
10 ¹⁵ / ₁₆	PLB23160K101516	23160LBKC3	SNP3160101516	PLB3160K10151602
11 ¹⁵ / ₁₆	PLB23164K111516	23164LBKC3	SNP3164111516	PLB3164K11151602
12 ⁷ / ₁₆	PLB23168K12716	23168LBKC3	SNP316812716	PLB3168K1271602
13 ⁷ / ₁₆	PLB23172K13716	23172LBKC3	SNP317213716	PLB3172K1371602
13 ¹⁵ / ₁₆	PLB23176K131516	23176LBKC3	SNP3176131516	PLB3176K13151602
15	PLB23180K15	23180LBKC3	SNP318015	PLB3180K1502
15 ³ / ₄	PLB23184K1534	23184LBKC3	SNP31841534	PLB3184K153402
16 ¹ / ₂	PLB23188K1612	23188LBKC3	SNP31881612	PLB3188K161202
17	PLB23192K17	23192LBKC3	SNP319217	PLB3192K1702
18	PLB23196K18	23196LBKC3	SNP319618	PLB3196K1802
19 ¹ / ₂	PLB231530K1912	231530LBKC3	SNP315301912	PLB31530K191202
21	PLB231560K21	231560LBKC3	SNP3156021	PLB31560K2102

Additional Notes

Housing part numbers listed above include seals and C-Spacer ring.

PLB23100 Spherical Roller Bearing Unit Replacement Parts



Housing

Bearing

Optional End Closure

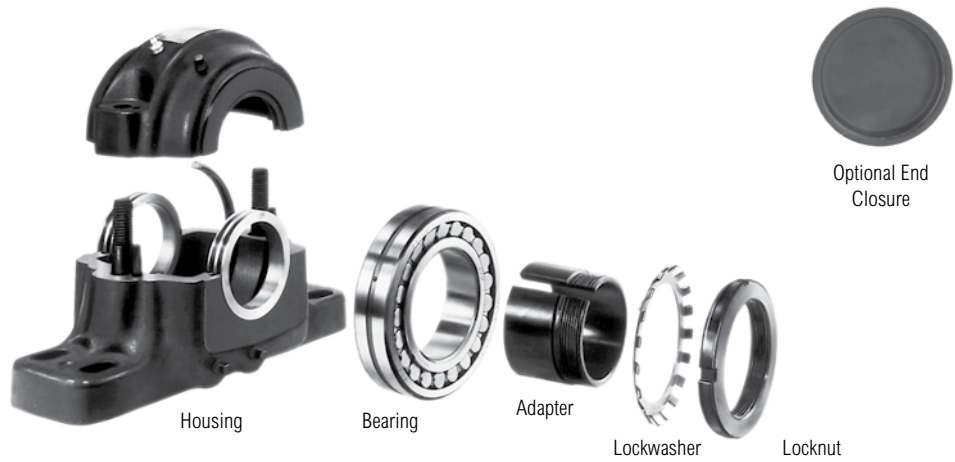
Bearing Dimensions

Shaft Diameter	Part Number	Bearing Insert	Housing Part Number
8.6614	PLB23144	23144LBC3	PLB314402
9.4488	PLB23148	23148LBC3	PLB314802
10.2362	PLB23152	23152LBC3	PLB315202
11.0236	PLB23156	23156LBC3	PLB315602
11.8110	PLB23160	23160LBC3	PLB316002
12.5984	PLB23164	23164LBC3	PLB316402
13.3858	PLB23168	23168LBC3	PLB316802
14.1732	PLB23172	23172LBC3	PLB317202
14.9606	PLB23176	23176LBC3	PLB317602
15.7480	PLB23180	23180LBC3	PLB318002
16.5354	PLB23184	23184LBC3	PLB318402
17.3228	PLB23188	23188LBC3	PLB318802
18.1102	PLB23192	23192LBC3	PLB319202
18.8976	PLB23196	23196LBC3	PLB319602
20.8661	PLB231530	231530LBC3	PLB3153002
22.0472	PLB231560	231560LBC3	PLB3156002

Additional Notes

Housing part numbers listed above include seals and C-Spacer ring.

PLB23200K Spherical Roller Bearing Unit Replacement Parts



Bearing Dimensions

Shaft Diameter	Part Number	Bearing Insert	Adapter Assy	Housing Part Number
8	PLB23244K8	23244LBKC3	SNW1448	PLB3244K802
8 ¹⁵ / ₁₆	PLB23248K81516	23248LBKC3	SNP14881516	PLB3248K8151602
9 ⁷ / ₁₆	PLB23252K9716	23252LBKC3	SNP1529716	PLB3252K971602
10 ⁷ / ₁₆	PLB23256K10716	23256LBKC3	SNP325610716	PLB3256K1071602
10 ¹⁵ / ₁₆	PLB23260K101516	23260LBKC3	SNP3260101516	PLB3260K10151602
11 ¹⁵ / ₁₆	PLB23264K111516	23264LBKC3	SNP3264111516	PLB3264K11151602
12 ⁷ / ₁₆	PLB23268K12716	23268LBKC3	SNP326812716	PLB3268K1271602
13 ⁷ / ₁₆	PLB23272K13716	23272LBKC3	SNP327213716	PLB3272K1371602
13 ¹⁵ / ₁₆	PLB23276K131516	23276LBKC3	SNP3276131516	PLB3276K13151602
15	PLB23280K15	23280LBKC3	SNP328015	PLB3280K1502
15 ³ / ₄	PLB23284K1534	23284LBKC3	SNP32841534	PLB3284K153402
16 ¹ / ₂	PLB23288K1612	23288LBKC3	SNP32881612	PLB3288K161202
17	PLB23292K17	23292LBKC3	SNP329217	PLB3292K1702
18	PLB23296K18	23296LBKC3	SNP329618	PLB3296K1802

Additional Notes

Housing part numbers listed above include seals and C-Spacer ring.

PLB23200 Spherical Roller Bearing Unit Replacement Parts



Bearing Dimensions

Shaft Diameter	Part Number	Bearing Insert	Housing Part Number
8.6614	PLB23244	23244LBC3	PLB324402
9.4488	PLB23248	23248LBC3	PLB324802
10.2362	PLB23252	23252LBC3	PLB325202
11.0236	PLB23256	23256LBC3	PLB325602
11.8110	PLB23260	23260LBC3	PLB326002
12.5984	PLB23264	23264LBC3	PLB326402
13.3858	PLB23268	23268LBC3	PLB326802
14.1732	PLB23272	23272LBC3	PLB327202
14.9606	PLB23276	23276LBC3	PLB327602
15.7480	PLB23280	23280LBC3	PLB328002
16.5354	PLB23284	23284LBC3	PLB328402
17.3228	PLB23288	23288LBC3	PLB328802
18.1102	PLB23292	23292LBC3	PLB329202
18.8976	PLB23296	23296LBC3	PLB329602

Additional Notes

Housing part numbers listed above include seals and C-Spacer ring.



SPHERICAL ROLLER BEARINGS

Link-Belt

CONTENTS

PAGE

Features and Benefits	274
Nomenclature	275
Engineering	276
Dimensions	
Unmounted Bearings	288

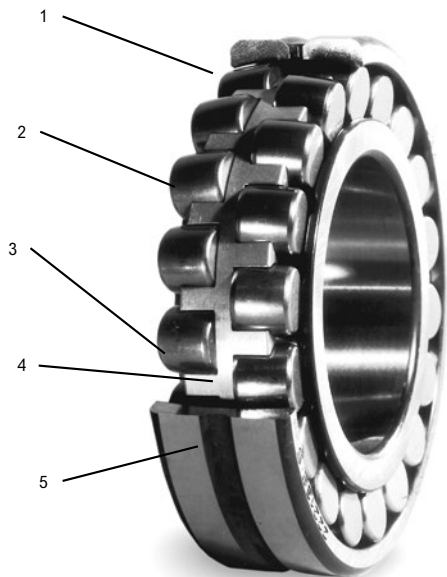
INDUSTRIES SERVED

Mining
Forest Products
Aggregates
Steel
Air Handling
Construction
Package Handling
Wastewater Treatment



Series 22200, 22300, 23000, 23100, 23200 Spherical Roller Bearings

Self-aligning and self-contained spherical roller bearings provide high capacity for heavy-duty and high-precision applications. They are used extensively on earth-moving equipment, vibrating screens, steel mill and paper mill equipment, embossing rolls, printing presses, and torque converters.



1. Positive Roller Guidance is Provided from Rugged Retainer Design

2. Large High-capacity Rollers for Extended Bearing Life

3. Raceway Curvatures

Controlled raceway curvatures afford precise osculation clearance preventing roller edge loading.

4. Micro-finished Raceways Assure Smooth Operation

5. Maximum Lubrication

Outer ring groove and three symmetrically spaced holes for maximum lubrication access.

22200, 22300, 23000, 23100, 23200, 23900 Nomenclature

Symbol	Description
	2 22 16 LB K / W33 / C0
2	Used to distinguish from other series
22	Bearing dimension series (22, 23, 30, 31, 32, 39)
16	One-fifth of bore diameter (mm)
LB	Designation for Link-Belt spherical roller bearing
None	Cylindrical bore
K	Tapered bore
W33	Lubrication holes and groove in outer ring (standard)
C2	Internal clearance less than C0
C0	Basic internal clearance
C3	Internal clearance greater than C0 (standard)
C4	Internal clearance greater than C3

Spherical Roller Bearing Series 22200, 22300, 23000, 23100, 23200 and 23900 Selection Guide

To select a pillow block, determine the applied radial load, the applied thrust load, the desired Rating Life, the required minimum shaft size, and applicable operating conditions. The procedure shown here will aid in selecting a pillow block to meet an L₁₀ design life. The formulas for calculating life expectancy should be used to determine the Rating Life L₁₀ for the pillow block selected. Spherical roller bearing pillow blocks are available in Series 22200, 22300, 23000, 23100, 23200, and 23900. Because a number of series are available, several different pillow blocks that will fulfill and L₁₀ life requirement can often be chosen.

Some of the factors to consider when choosing between series are: cost, speed limit, minimum shaft diameter, thrust load, space limitations, and type of shaft mounting.

The selection procedures and rating formulas shown here are in agreement with The American Bearing Manufacturers Association Standards and ANSI/ ABMA Standards STD 11-1990. Ratings are based on fatigue life.

The Rating Life L₁₀ or fatigue life at 90% reliability is the usual basis for bearing selection.

To assure a satisfactory bearing application, fitting practice, mounting, lubrication, sealing, static rating, housing strength, operating conditions and maintenance must be considered.

Steps for Selection

Step 1

Determine an appropriate L₁₀ design life.

Type of service	Operating time, hours per year	Design life, years	L ₁₀ design life, hours
Heavy seasonal usage	1,400 to 1,600	4-6	8,000
Industrial—8 hour shift	2,000	10	20,000
Industrial—16 hour shift	4,000	10	40,000
Industrial—continuous	8,700	10	80,000 to 100,000
Industrial—High reliability	—	—	120,000 to 300,000

Step 2

Determine a required $\left(\frac{C}{P}\right)$ from Table 1.

Step 3

Calculate the required C and select a roller bearing pillow block.

a For radial load only: $P = F_r$

Required $C = \left(\frac{C}{P}\right)P$ using $\left(\frac{C}{P}\right)$ from Step 2

Select a roller bearing pillow block from Tables 2 - 7 having a basic load rating C equal to or greater than the required C.

b For combined radial and thrust loads:

Select a roller bearing pillow block of the desired shaft size from Tables 2 - 7
Calculate the ratio of thrust load F_a to the radial load F_r .

$$\frac{F_a}{F_r}$$

Calculate the equivalent radial load P

$$P = X F_r + Y F_a$$

If $\frac{F_a}{F_r}$ is equal to or less than e, then $P = X_1 F_r + Y_1 F_a$

If $\frac{F_a}{F_r}$ is greater than e, then $P = X_2 F_r + Y_2 F_a$

For values of e, X₁, Y₁, X₂, and Y₂, see Tables 2 - 7

Required $C = \left(\frac{C}{P}\right)P$ using $\left(\frac{C}{P}\right)$ from Step 2

Consult the bearing rating Tables 2 - 7, to see if the selected bearing meets or exceeds the required C. The life expectancy of other sizes and series of bearings can be calculated similarly.

Selection

Symbols for formulas:

C = basic load rating, pounds (or newtons)	L ₁₀ = rating life, hours
C ₀ = static load rating, pounds (or newtons)	n = speed, revolutions per minute
e = a reference value	P = equivalent radial load, pounds (or newtons)
F _a = thrust load, pounds (or newtons)	X = radial factor
F _r = radial load, pounds (or newtons)	Y = thrust factor

Table 1 • Relation of L₁₀ life and speed to $\left(\frac{C}{P}\right)$

Bearing Life Hours L ₁₀	Speed, n									
	50	100	200	300	400	500	600	700	800	
3000	1.93	2.38	2.93	3.31	3.61	3.86	4.07	4.27	4.44	
4000	2.11	2.59	3.19	3.61	3.93	4.20	4.44	4.65	4.84	
5000	2.25	2.77	3.42	3.86	4.20	4.50	4.75	4.97	5.18	
6000	2.38	2.93	3.61	4.07	4.44	4.75	5.02	5.25	5.47	
8000	2.59	3.19	3.93	4.44	4.84	5.18	5.47	5.73	5.96	
10000	2.77	3.42	4.20	4.75	5.18	5.54	5.85	6.12	6.37	
12000	2.93	3.61	4.44	5.02	5.47	5.85	6.18	6.47	6.73	
14000	3.07	3.78	4.65	5.25	5.73	6.12	6.47	6.77	7.05	
16000	3.19	3.93	4.84	5.47	5.96	6.37	6.73	7.05	7.34	
18000	3.31	4.07	5.02	5.66	6.18	6.60	6.97	7.30	7.60	
20000	3.42	4.20	5.18	5.85	6.37	6.81	7.20	7.54	7.85	
25000	3.65	4.50	5.54	6.25	6.81	7.29	7.70	8.06	8.39	
30000	3.86	4.75	5.85	6.60	7.20	7.70	8.13	8.51	8.86	
35000	4.04	4.97	6.12	6.92	7.54	8.06	8.51	8.92	9.28	
40000	4.20	5.18	6.37	7.20	7.85	8.39	8.86	9.28	9.66	
45000	4.36	5.36	6.60	7.46	8.13	8.69	9.18	9.61	10.00	
50000	4.50	5.54	6.81	7.70	8.39	8.97	9.48	9.92	10.30	
60000	4.75	5.85	7.20	8.13	8.86	9.48	10.00	10.50	10.90	
70000	4.97	6.12	7.54	8.51	9.28	9.92	10.50	11.00	11.40	
80000	5.18	6.37	7.85	8.86	9.66	10.30	10.90	11.40	11.90	
90000	5.36	6.60	8.13	9.18	10.00	10.70	11.30	11.80	12.30	
100000	5.54	6.81	8.39	9.48	10.30	11.00	11.70	12.20	12.70	
150000	6.25	7.70	9.48	10.70	11.70	12.50	13.20	13.80	14.40	
200000	6.81	8.39	10.30	11.70	12.70	13.60	14.40	15.00	15.70	

	Speed, n									
	900	1000	1200	1500	1800	2400	3000	3600	6000	
3000	4.60	4.75	5.02	5.36	5.66	6.18	6.60	6.97	8.13	
4000	5.02	5.18	5.47	5.85	6.18	6.73	7.20	7.60	8.86	
5000	5.36	5.54	5.85	6.25	6.60	7.20	7.70	8.13	9.48	
6000	5.66	5.85	6.18	6.60	6.97	7.60	8.13	8.59	10.00	
8000	6.18	6.37	6.73	7.20	7.60	8.29	8.86	9.36	10.90	
10000	6.60	6.81	7.20	7.70	8.13	8.86	9.48	10.00	11.70	
12000	6.97	7.20	7.60	8.13	8.59	9.36	10.00	10.60	12.30	
14000	7.30	7.54	7.96	8.51	8.99	9.80	10.50	11.10	12.90	
16000	7.60	7.85	8.29	8.86	9.36	10.20	10.90	11.50	13.40	
18000	7.88	8.13	8.59	9.18	9.70	10.60	11.30	11.90	13.90	
20000	8.13	8.39	8.86	9.48	10.00	10.90	11.70	12.30	14.40	
25000	8.69	8.97	9.48	10.10	10.70	11.70	12.50	13.20	15.40	
30000	9.18	9.48	10.00	10.70	11.30	12.30	13.20	13.90	16.20	
35000	9.61	9.92	10.50	11.20	11.80	12.90	13.80	14.60	17.00	
40000	10.00	10.30	10.90	11.70	12.30	13.40	14.40	15.20	17.70	
45000	10.40	10.70	11.30	12.10	12.80	13.90	14.90	15.70	18.30	
50000	10.70	11.00	11.70	12.50	13.20	14.40	15.40	16.20	18.90	
60000	11.30	11.70	12.30	13.20	13.90	15.20	16.20	17.10	20.00	
70000	11.80	12.20	12.90	13.80	14.60	15.90	17.00	17.90	20.90	
80000	12.30	12.70	13.40	14.40	15.20	16.50	17.70	18.70	21.80	
90000	12.80	13.20	13.90	14.90	15.70	17.10	18.30	19.40	22.60	
100000	13.20	13.60	14.40	15.40	16.20	17.70	18.90	20.00	23.30	
150000	14.90	15.40	16.20	17.30	18.30	20.00	21.40	22.60	26.30	
200000	16.20	16.70	17.70	18.90	20.00	21.80	23.30	24.60	28.70	

Basic Formula

$$\left(\frac{C}{P}\right) = \left(\frac{L_{10} \times n \times 60}{1,000,000}\right)^{3/10}$$

$$L_{10} = \frac{\left(\frac{C}{P}\right)^{10/3} \times 1,000,000}{n \times 60}$$

Life Expectancy

To calculate the Rating Life L₁₀ of any selected or trial bearing:

Step 1

Determine the equivalent radial load P.

a For radial load only:

$$P = F_r$$

b For combined radial and thrust load:

$$P = X F_r + Y F_a$$

if $\frac{F_a}{F_r}$ is equal to or less than e, then

$$P = X_1 F_r + Y_1 F_a$$

if $\frac{F_a}{F_r}$ is greater than e, then

$$P = X_2 F_r + Y_2 F_a$$

For values of e, X₁, Y₁, X₂, and Y₂, consult the appropriate bearing rating Table 2 Table 4.

Step 2

Calculate the ratio of the basic load rating C to the equivalent radial load.

$$\left(\frac{C}{P}\right)$$

Step 3

Approximate the bearing life from Table 1.

Life Adjustment

The Rating Life, L₁₀, may be modified for some applications in accordance with the formula

$$L_n = a_1 a_2 a_3 L_{10}$$

where L_n = Adjusted life for (100-n) % reliability,

a₁ = Life adjustment factor for reliability

a₂ = Life adjustment factor

for material and processing

a₃ = Life adjustment factor for operating conditions.

For most normal applications, all factors will be taken as 1, and the Rating Life used as the selection basis or life estimate. In addition, as long as standard catalog bearings are used, a₂ will be normally set equal to one.

The factor a₃ covers such things as lubrication, misalignment, and temperature. Some conditions that could yield a₃ significantly different than unity include speeds less than 20000 DN or greater than 200000 DN, temperatures below -40°F (-40°C) or above 275°F (135°C). For other possible conditions, as well as additional information on life adjustment factors, consult Rexnord Bearing Division.

Table 2 • Series 22200LB, 22200LBK Load Ratings and Speed Limits

Bearing Number		Co Static Load Rating		C Basic Load Rating		Speed Limit, RPM		e	$\frac{F_a}{F_r} \leq e$		$\frac{F_a}{F_r} > e$	
Cylindrical Bore	Tapered bore	newtons	pounds	newtons	pounds	Grease	Oil		X1	Y1	X2	Y2
22209LB	22209LBK	105000	23600	92500	20800	5300	6200	0.26	1.00	2.6	0.67	3.9
22210LB	22210LBK	113000	25500	97900	22000	5000	5500	0.26	1.00	2.8	0.67	4.2
22211LB	22211LBK	145000	32500	120000	27000	4500	5000	0.23	1.00	2.9	0.67	4.4
22212LB	22212LBK	180000	40500	151000	34000	4000	4500	0.24	1.00	2.8	0.67	4.2
22213LB	22213LBK	207000	46500	169000	38000	3800	4300	0.24	1.00	2.8	0.67	4.2
22214LB	22214LBK	222000	50000	178000	40000	3600	4000	0.23	1.00	2.9	0.67	4.4
22215LB	22215LBK	236000	53000	185000	41500	3400	3700	0.22	1.00	3.1	0.67	4.6
22216LB	22216LBK	260000	58500	207000	46500	3200	3500	0.22	1.00	3.1	0.67	4.7
22217LB	22217LBK	327000	73500	260000	58500	3000	3250	0.22	1.00	3.0	0.67	4.5
22218LB	22218LBK	363000	81500	285000	64000	2600	3000	0.23	1.00	2.9	0.67	4.3
22219LB	22219LBK	400000	90000	316000	71000	2400	2900	0.24	1.00	2.9	0.67	4.3
22220LB	22220LBK	463000	104000	356000	80000	2200	2800	0.24	1.00	2.8	0.67	4.2
22222LB	22222LBK	587000	132000	454000	102000	2000	2500	0.25	1.00	2.7	0.67	4.0
22224LB	22224LBK	725000	163000	534000	120000	1900	2300	0.25	1.00	2.7	0.67	4.0
22226LB	22226LBK	872000	196000	636000	143000	1800	2100	0.26	1.00	2.6	0.67	3.9
22228LB	22228LBK	1010000	228000	738000	166000	1700	1950	0.25	1.00	2.7	0.67	4.0
22230LB	22230LBK	1200000	270000	845000	190000	1600	1850	0.25	1.00	2.7	0.67	4.0
22232LB	22232LBK	1380000	310000	961000	216000	1500	1700	0.26	1.00	2.6	0.67	3.9
22234LB	22234LBK	1530000	345000	1110000	250000	1300	1600	0.26	1.00	2.6	0.67	3.9
22236LB	22236LBK	1620000	365000	1130000	255000	1300	1500	0.25	1.00	2.7	0.67	4.0
22238LB	22238LBK	1850000	415000	1200000	270000	1200	1400	0.28	1.00	2.4	0.67	3.6
22240LB	22240LBK	2000000	450000	1330000	300000	1100	1300	0.29	1.00	2.3	0.67	3.5
22244LB	22244LBK	2450000	550000	1620000	365000	1000	1200	0.29	1.00	2.3	0.67	3.5
22248LB	22248LBK	2890000	650000	1870000	420500	750	950	0.27	1.00	2.5	0.67	3.7

If the load P is greater than .25C, consult Rexnord Bearing Division.

Speed limits are based on the following:

1. Negligible seal torque (e.g., non-contact seals).
2. Proper operating internal clearance.
3. Adequate lubrication and maintenance (special lubricants and/or more frequent relubrication may be required).
4. Normal room temperature environment and no extraneous heat sources, such that bearing operating temperature does not exceed 100°C (212°F).
5. Equivalent radial load not greater than 7% of C.
6. Axial load, if any, not greater than 20% of radial load.

Table 3 • Series 22300LB,22300LBK Load Ratings and Speed Limits

Bearing Number		Co Static Load Rating		C Basic Load Rating		Speed Limit RPM		$\frac{F_a}{F_r} \leq e$			$\frac{F_a}{F_r} > e$	
Cylindrical Bore	Tapered Bore	newtons	pounds	newtons	pounds	Grease	Oil	e	X1	Y1	X2	Y2
22308LB	22308LBK	145000	32500	129000	29000	4500	5600	0.36	1.00	1.9	0.67	2.8
22309LB	22309LBK	178000	40000	158000	35500	3800	4800	0.36	1.00	1.9	0.67	2.8
22310LB	22310LBK	214000	48000	189000	42500	3600	4300	0.36	1.00	1.9	0.67	2.8
22311LB	22311LBK	254000	57000	222000	50000	3200	4000	0.36	1.00	1.9	0.67	2.8
22312LB	22312LBK	302000	68000	260000	58500	3000	3800	0.35	1.00	1.9	0.67	2.8
22313LB	22313LBK	356000	80000	291000	65500	2600	3400	0.34	1.00	2.0	0.67	3.0
22314LB	22314LBK	378000	85000	320000	72000	2400	3200	0.34	1.00	2.0	0.67	3.0
22315LB	22315LBK	436000	98000	369000	83000	2200	3000	0.34	1.00	2.0	0.67	3.0
22316LB	22316LBK	498000	112000	414000	93000	2000	2800	0.34	1.00	2.0	0.67	3.0
22317LB	22317LBK	543000	122000	454000	102000	1900	2600	0.33	1.00	2.0	0.67	3.0
22318LB	22318LBK	623000	140000	507000	114000	1800	2400	0.33	1.00	2.0	0.67	3.0
22319LB	22319LBK	681000	153000	556000	125000	1800	2400	0.33	1.00	2.0	0.67	3.0
22320LB	22320LBK	814000	183000	649000	146000	1700	2200	0.34	1.00	2.0	0.67	3.0
22322LB	22322LBK	1050000	236000	801000	180000	1600	2000	0.33	1.00	2.1	0.67	3.1
22324LB	22324LBK	1160000	260000	907000	204000	1400	1800	0.33	1.00	2.1	0.67	3.1
22326LB	22326LBK	1360000	305000	1050000	236000	1300	1700	0.33	1.00	2.1	0.67	3.1
22328LB	22328LBK	1600000	360000	1220000	275000	1100	1500	0.34	1.00	2.0	0.67	3.0
22330LB	22330LBK	1800000	405000	1380000	310000	1000	1400	0.33	1.00	2.0	0.67	3.0
22332LB	22332LBK	1890000	425000	1450000	325000	950	1300	0.37	1.00	1.8	0.67	2.7
22334LB	22334LBK	2110000	475000	1600000	360000	950	1300	0.37	1.00	1.8	0.67	2.7
22336LB	22336LBK	2360000	530000	1730000	390000	900	1200	0.37	1.00	1.8	0.67	2.7
22338LB	22338LBK	2540000	570000	1850000	415000	850	1100	0.37	1.00	1.8	0.67	2.7
22340LB	22340LBK	2800000	630000	2070000	465000	850	1100	0.36	1.00	1.9	0.67	2.8
22344LB	22344LBK	3340000	750000	2360000	530000	700	900	0.35	1.00	2.0	0.67	2.9
22348LB	22348LBK	3800000	854500	2600000	584500	670	850	0.32	1.00	2.1	0.67	3.2
22356LB	22356LBK	5150000	1157800	3500000	787000	560	710	0.31	1.00	2.1	0.67	3.2

If the load P is greater than .25C, consult Rexnord Bearing Division.

Speed limits are based on the following:

1. Negligible seal torque (e.g., non-contact seals).
2. Proper operating internal clearance.
3. Adequate lubrication and maintenance (special lubricants and/or more frequent relubrication may be required).
4. Normal room temperature environment and no extraneous heat sources, such that bearing operating temperature does not exceed 100°C (212°F).
5. Equivalent radial load not greater than 7% of C.
6. Axial load, if any, not greater than 20% of radial load.

Table 4 – Series 23000LB, 23000LBK Load Ratings and Speed Limits

Bearing Number		Co Static Load Rating		C Basic Dynamic Load Rating		Speed Limit, RPM		Fa/Fr ≤ e			Fa/Fr > e	
Cylindrical Bore	Tapered Bore	newtons	pounds	newtons	pounds	Grease	Oil	e	X1	Y1	X2	Y2
23044LB	23044LBK	1980000	445100	1090000	245000	950	1200	0.24	1.00	2.8	0.67	4.1
23048LB	23048LBK	2180000	490000	1160000	260000	950	1100	0.25	1.00	2.7	0.67	4.1
23052LB	23052LBK	2580000	580000	1430000	321500	800	950	0.25	1.00	2.7	0.67	4.1
23056LB	23056LBK	2980000	670000	1530000	345000	800	950	0.25	1.00	2.7	0.67	4.1
23060LB	23060LBK	3700000	832000	1920000	431600	670	850	0.24	1.00	2.8	0.67	4.2
23064LB	23064LBK	3850000	865500	1960000	440600	630	800	0.24	1.00	2.8	0.67	4.2
23068LB	23068LBK	4400000	989200	2280000	512600	560	710	0.24	1.00	2.8	0.67	4.2
23072LB	23072LBK	4700000	1056600	2390000	537500	530	670	0.24	1.00	2.8	0.67	4.2
23076LB	23076LBK	5100000	1146500	2500000	562000	530	630	0.22	1.00	3.0	0.67	4.5
23080LB	23080LBK	5900000	1326500	2970000	668000	480	600	0.23	1.00	3.0	0.67	4.4
23084LB	23084LBK	5850000	1315200	2910000	654200	450	560	0.23	1.00	2.9	0.67	4.3
23088LB	23088LBK	6350000	1427500	3150000	708200	430	530	0.23	1.00	2.9	0.67	4.3
23092LB	23092LBK	7100000	1596200	3450000	775600	400	500	0.22	1.00	3.1	0.67	4.6
23096LB	23096LBK	7950000	1787200	3800000	854300	400	480	0.22	1.00	3.1	0.67	4.6
230530LB	230530LBK	9200000	2068200	4400000	989200	340	430	0.22	1.00	3.1	0.67	4.6
230560LB	230560LBK	10700000	2405500	5000000	1124000	320	400	0.22	1.00	3.0	0.67	4.5
230600LB	230600LBK	12200000	2743000	5450000	1225200	300	360	0.21	1.00	3.3	0.67	4.8
230630LB	230630LBK	12700000	2855000	5900000	1326400	280	340	0.22	1.00	3.1	0.67	4.7

If the load P is greater than .25C, consult Rexnord Bearing Division.

Speed limits are based on the following:

1. Negligible seal torque (e.g., non-contact seals).
2. Proper operating internal clearance.
3. Adequate lubrication and maintenance (special lubricants and/or more frequent relubrication may be required).
4. Normal room temperature environment and no extraneous heat sources, such that bearing operating temperature does not exceed 100°C (212°F).
5. Equivalent radial load not greater than 7% of C.
6. Axial load, if any, not greater than 20% of radial load.

Table 5 – Series 23100LB, 23100LBK Load Ratings and Speed Limits

Bearing Number		Co Static Load Rating		C Basic Dynamic Load Rating		Speed Limit, RPM		Fa/Fr ≤ e			Fa/Fr > e	
Cylindrical Bore	Tapered Bore	newtons	pounds	newtons	pounds	Grease	Oil	e	X1	Y1	X2	Y2
23144LB	23144LBK	2710000	609200	1570000	353000	710	950	0.30	1.00	2.2	0.67	3.3
23148LB	23148LBK	3100000	697000	1790000	402500	670	850	0.30	1.00	2.2	0.67	3.3
23152LB	23152LBK	3750000	843000	2160000	485500	600	800	0.32	1.00	2.1	0.67	3.2
23156LB	23156LBK	4000000	899300	2230000	501500	560	750	0.30	1.00	2.2	0.67	3.3
23160LB	23160LBK	4800000	1079000	2670000	600500	500	670	0.31	1.00	2.2	0.67	3.3
23164LB	23164LBK	5500000	1236500	3050000	685700	480	600	0.31	1.00	2.1	0.67	3.2
23168LB	23168LBK	6600000	1483800	3600000	809500	430	560	0.31	1.00	2.1	0.67	3.2
23172LB	23172LBK	7100000	1596200	3800000	854500	400	530	0.31	1.00	2.2	0.67	3.2
23176LB	23176LBK	7600000	1708500	4000000	899200	400	500	0.30	1.00	2.2	0.67	3.3
23180LB	23180LBK	7900000	1776000	4150000	933000	380	480	0.29	1.00	2.3	0.67	3.4
23184LB	23184LBK	9400000	2113200	5000000	1124000	340	450	0.31	1.00	2.2	0.67	3.3
23188LB	23188LBK	10300000	2315500	5300000	1191500	320	430	0.30	1.00	2.2	0.67	3.3
23192LB	23192LBK	10900000	2450500	5700000	1281400	300	400	0.31	1.00	2.2	0.67	3.3
23196LB	23196LBK	11700000	2630500	6050000	1360100	300	380	0.31	1.00	2.2	0.67	3.3
231530LB	231530LBK	14100000	3169800	7150000	1607400	260	340	0.30	1.00	2.2	0.67	3.3
231560LB	231560LBK	15500000	3484500	7850000	1764800	240	320	0.30	1.00	2.3	0.67	3.4
231600LB	231600LBK	17500000	3934000	8750000	1967000	220	280	0.30	1.00	2.3	0.67	3.4
231630LB	231630LBK	19400000	4361100	9600000	2158100	200	260	0.30	1.00	2.3	0.67	3.4

If the load P is greater than .25C, consult Rexnord Bearing Division.

Speed limits are based on the following:

1. Negligible seal torque (e.g., non-contact seals).
2. Proper operating internal clearance.
3. Adequate lubrication and maintenance (special lubricants and/or more frequent relubrication may be required).
4. Normal room temperature environment and no extraneous heat sources, such that bearing operating temperature does not exceed 100°C (212°F).
5. Equivalent radial load not greater than 7% of C.
6. Axial load, if any, not greater than 20% of radial load.

Table 6 – Series 23200LB, 23200LBK Load Ratings and Speed Limits

Bearing Number		Co Static Load Rating		C Basic Dynamic Load Rating		Speed Limit, RPM		Fa/Fr ≤ e			Fa/Fr > e	
Cylindrical Bore	Tapered Bore	newtons	pounds	newtons	pounds	Grease	Oil	e	X1	Y1	X2	Y2
23244LB	23244LBK	3400000	764500	2020000	454000	670	900	0.35	1.00	1.9	0.67	2.9
23248LB	23248LBK	4050000	910500	2440000	548500	630	800	0.37	1.00	1.8	0.67	2.7
23252LB	23252LBK	4550000	1022900	2740000	616000	560	750	0.37	1.00	1.8	0.67	2.7
23256LB	23256LBK	4900000	1101600	2880000	647500	530	670	0.35	1.00	1.9	0.67	2.9
23260LB	23260LBK	5900000	1326400	3400000	764500	480	630	0.35	1.00	1.9	0.67	2.9
23264LB	23264LBK	6900000	1551200	3900000	877000	450	600	0.36	1.00	1.9	0.67	2.8
23268LB	23268LBK	7800000	1753500	4400000	989200	400	530	0.36	1.00	1.9	0.67	2.8
23272LB	23272LBK	8550000	1922100	4800000	1079000	380	500	0.36	1.00	1.9	0.67	2.8
23276LB	23276LBK	9200000	2068500	5150000	1157800	360	480	0.35	1.00	1.9	0.67	2.9
23280LB	23280LBK	10400000	2338000	5800000	1303900	340	450	0.36	1.00	1.9	0.67	2.8
23284LB	23284LBK	11700000	2630500	6450000	1450000	320	430	0.35	1.00	1.9	0.67	2.9
23288LB	23288LBK	12800000	2877500	6900000	1551200	300	400	0.35	1.00	1.9	0.67	2.9
23292LB	23292LBK	13700000	3080000	7350000	1652400	280	380	0.36	1.00	1.9	0.67	2.8
23296LB	23296LBK	14400000	3237500	7850000	1764800	260	360	0.36	1.00	1.9	0.67	2.8

If the load P is greater than .25C, consult Rexnord Bearing Division.

Speed limits are based on the following:

1. Negligible seal torque (e.g., non-contact seals).
2. Proper operating internal clearance.
3. Adequate lubrication and maintenance (special lubricants and/or more frequent relubrication may be required).
4. Normal room temperature environment and no extraneous heat sources, such that bearing operating temperature does not exceed 100°C (212°F).
5. Equivalent radial load not greater than 7% of C.
6. Axial load, if any, not greater than 20% of radial load.

Table 7 – Series 23900LB, 23900LBK Load Ratings and Speed Limits

Bearing Number		Co Static Load Rating		C Basic Dynamic Load Rating		Speed Limit, RPM		Fa/Fr ≤ e			Fa/Fr > e	
Cylindrical Bore	Tapered Bore	newtons	pounds	newtons	pounds	Grease	Oil	e	X1	Y1	X2	Y2
23944LB	23944LBK	1240000	279000	625000	140500	1000	1300	0.18	1.00	3.8	0.67	5.7
23948LB	23948LBK	1300000	292500	635000	143000	950	1200	0.17	1.00	4.0	0.67	6.0

If the load P is greater than .25C, consult Rexnord Bearing Division.

Speed limits are based on the following:

1. Negligible seal torque (e.g., non-contact seals).
2. Proper operating internal clearance.
3. Adequate lubrication and maintenance (special lubricants and/or more frequent relubrication may be required).
4. Normal room temperature environment and no extraneous heat sources, such that bearing operating temperature does not exceed 100°C (212°F).
5. Equivalent radial load not greater than 7% of C.
6. Axial load, if any, not greater than 20% of radial load.

Cylindrical Bore Bearings - Radial Clearances

Series 22200, 22300, 23000, 23100, 23200		Radial Internal Clearance, Inches							
Basic Size	Bore (mm)	C2		C0		C3 (basic)		C4	
		Min	Max	Min	Max	Min	Max	Min	Max
08	40	0.0006	0.0012	0.0012	0.0018	0.0018	0.0024	0.0024	0.0032
09	45	0.0008	0.0014	0.0014	0.0022	0.0022	0.0030	0.0030	0.0039
10	50								
11	55	0.0010	0.0017	0.0017	0.0026	0.0026	0.0036	0.0036	0.0047
12	60								
13	65								
14	70	0.0012	0.0020	0.0020	0.0032	0.0032	0.0044	0.0044	0.0057
15	75								
16	80								
17	85								
18	90	0.0014	0.0025	0.0025	0.0039	0.0039	0.0053	0.0053	0.0071
19	95								
20	100								
22	110								
24	120	0.0017	0.0031	0.0031	0.0048	0.0048	0.0064	0.0064	0.0083
26	130								
28	140	0.0020	0.0038	0.0038	0.0057	0.0057	0.0075	0.0075	0.0095
30	150								
32	160	0.0024	0.0043	0.0043	0.0065	0.0065	0.0087	0.0087	0.0110
34	170								
36	180	0.0026	0.0047	0.0047	0.0071	0.0071	0.0095	0.0095	0.0122
38	190								
40	200	0.0028	0.0051	0.0051	0.0079	0.0079	0.0103	0.0103	0.0133
44	220								
48	240	0.0032	0.0055	0.0055	0.0087	0.0087	0.0114	0.0114	0.0149
52	260								
56	280	0.0036	0.0059	0.0059	0.0095	0.0095	0.0126	0.0126	0.0165
60	300								
64	320	0.0039	0.0067	0.0067	0.0103	0.0103	0.0138	0.0138	0.0180
68	340								
72	360	0.0044	0.0075	0.0075	0.0110	0.0110	0.0145	0.0145	0.0197
76	380								
80	400	0.0047	0.0079	0.0079	0.0122	0.0122	0.0161	0.0161	0.0217
84	420								
88	440	0.0051	0.0087	0.0087	0.0134	0.0134	0.0177	0.0177	0.0236
92	460								
96	480	0.0055	0.0094	0.0094	0.0146	0.0146	0.0197	0.0197	0.0260
52	260								
56	280	0.0055	0.0102	0.0102	0.0161	0.0161	0.0217	0.0217	0.0283
60	300								
64	320	0.0059	0.0110	0.0110	0.0173	0.0173	0.0236	0.0236	0.0307
68	340								
72	360	0.0067	0.0122	0.0122	0.0189	0.0189	0.0256	0.0256	0.0335
76	380								
80	400								
84	420								
88	440								
92	460								
96	480								
	530								
	560								
	600								
	630								

C2 = Internal clearance less than C0

C0 = Internal clearance

C3 = Internal clearance greater than C0

C4 = Internal clearance greater than C3

Tapered Bore Bearings - Radial Clearances

Series 22200, 22300, 23000, 23100, 23200		Radial Internal Clearance, Inches							
Basic Size	Bore (mm)	C2		C0		C3 (basic)		C4	
		Min	Max	Min	Max	Min	Max	Min	Max
08	40	0.0008	0.0014	0.0014	0.0020	0.0020	0.0026	0.0026	0.0033
09	45	0.0012	0.0018	0.0018	0.0024	0.0024	0.0031	0.0031	0.0039
10	50								
11	55	0.0014	0.0022	0.0022	0.0030	0.0030	0.0037	0.0037	0.0047
12	60								
13	65								
14	70	0.0018	0.0028	0.0028	0.0037	0.0037	0.0047	0.0047	0.0059
15	75								
16	80								
17	85	0.0020	0.0030	0.0030	0.0043	0.0043	0.0055	0.0055	0.0071
18	90								
19	95								
20	100	0.0025	0.0039	0.0039	0.0053	0.0053	0.0067	0.0067	0.0087
22	110								
24	120	0.0030	0.0047	0.0047	0.0063	0.0063	0.0079	0.0079	0.0102
26	130								
28	140	0.0033	0.0051	0.0051	0.0071	0.0071	0.0091	0.0091	0.0118
30	150								
32	160	0.0037	0.0055	0.0055	0.0079	0.0079	0.0102	0.0102	0.0134
34	170								
36	180	0.0041	0.0063	0.0063	0.0087	0.0087	0.0114	0.0114	0.0146
38	190								
40	200	0.0047	0.0071	0.0071	0.0098	0.0098	0.0126	0.0126	0.0161
44	220								
48	240	0.0053	0.0079	0.0079	0.0106	0.0106	0.0138	0.0138	0.0177
52	260								
56	280	0.0059	0.0087	0.0087	0.0118	0.0118	0.0154	0.0154	0.0193
60	300								
64	320	0.0065	0.0094	0.0094	0.0130	0.0130	0.0169	0.0169	0.0213
68	340								
72	360	0.0075	0.0106	0.0106	0.0142	0.0142	0.0185	0.0185	0.0232
76	380								
80	400	0.0083	0.0118	0.0118	0.0157	0.0157	0.0205	0.0205	0.0256
84	420								
88	440	0.0091	0.0130	0.0130	0.0173	0.0173	0.0224	0.0224	0.0283
92	460								
96	480	0.0102	0.0146	0.0146	0.0193	0.0193	0.0248	0.0248	0.0311
	530								
	560	0.0114	0.0161	0.0161	0.0213	0.0213	0.0268	0.0268	0.0343
	600								
	630	0.0126	0.0181	0.0181	0.0236	0.0236	0.0299	0.0299	0.0386

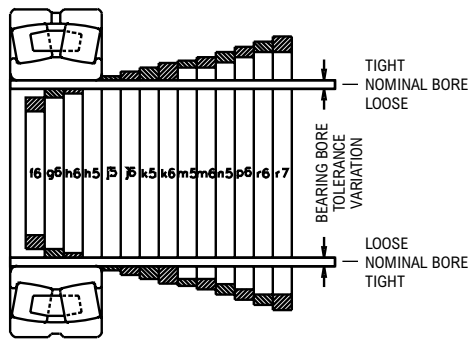
C2 = Internal clearance less than C0

C0 = Internal clearance

C3 = Internal clearance greater than C0

C4 = Internal clearance greater than C3

Shaft Bearing Seat Diameters



Bearing bore tolerances are in accord with the system of tolerancing established by the International Standards Organization (ISO) and adopted by the American Bearing Manufacturers Association (ABMA) and the American National Standards Institute (ANSI).

A system of limits and fits has been established by ISO for shafts. A portion of this system has been adopted by ABMA to provide flexibility in selecting shaft fits. Shaft fits are designated by a lower case letter and a number, such as h6. The letter indicates the location of the shaft tolerance limits with respect to the nominal bearing bore. The number indicates the size of the tolerance zone.

Shaft fits recommended for various types of applications are listed in the table at right. A graphic relationship of various shaft fits is illustrated in the figure at the left.

Many factors influence the proper fit on the bearing inner ring on a shaft. The magnitude of the load and its direction with respect to bearing inner or outer rings are generally the first factors considered in shaft fit selection. The effects of other factors such as vibration, shock, temperature, speed, etc. are of secondary importance but sometimes need to be considered. Where assembly or disassembly requirements are of prime importance special shaft fits may be required.

Appropriate diameter shafting is determined (as shown) from the tables below.

Class of Fit and Shaft Diameters

Bearing Series 22200, 22300, 23000	Nominal bearing bore and shaft diameter		Bearing bore tolerance#	Bearing/Shaft diameter fits*									
				f6		g6		h6		h5		j5	
				Tolerance		Tolerance		Tolerance		Tolerance		Tolerance	
				Fit	Shaft Dia.	Fit	Shaft Dia.	Fit	Shaft Dia.	Fit	Shaft Dia.	Fit	Shaft Dia.
08	1.5748	40.000	+0.0000 -0.0005	.0005L	-0.0010	.0001T	-0.0004	.0005T	0.0000	.0005T	0.0000	.0007T	0.0002
09	1.7717	45.000	+0 -12	.0016L	-0.0016	.0010L	-0.0010	.0006L	-0.0006	.0004L	-0.0004	.0002L	-0.0002
10	1.9685	50.000		13L	-25	3T	-9	12T	+0	12T	+0	18T	6
11	2.1654	55.000	+0.0000 -0.0006	41L	-41	25L	-25	16L	-16	11L	-11	5L	-5
12	2.3622	60.000											
13	2.5591	65.000		.0006L	-0.0012	.0002T	-0.0004	.0006T	0.0000	.0006T	0.0000	.0008T	0.0002
14	2.7559	70.000	+0 -15	.0019L	-0.0019	.0011L	-0.0011	.0007L	-0.0007	.0005L	-0.0005	.0003L	-0.0003
15	2.9528	75.000		15L	-30	5T	-10	15T	+0	15T	+0	21T	6
16	3.1496	80.000		49L	-49	29L	-29	19L	-19	13L	-13	7L	-7
17	3.3465	85.000	+0.0000 -0.0008										
18	3.5433	90.000		.0006L	-0.0014	.0003T	-0.0005	.0008T	0.0000	.0008T	0.0000	.0010T	0.0002
19	3.7402	95.000	+0 -20	.0023L	-0.0023	.0014L	-0.0014	.0009L	-0.0009	.0006L	-0.0006	.0004L	-0.0004
20	3.9370	100.000		16L	-36	8T	-12	20T	+0	20T	+0	26T	6
22	4.3307	110.000		58L	-58	34L	-34	22L	-22	15L	-15	9L	-9
24	4.7244	120.000											
26	5.1181	130.000	+0.0000 -0.0010										
28	5.5118	140.000		.0006L	-0.0016	.0004T	-0.0006	.0010T	0.00000013T	0.0003
30	5.9055	150.000	+0 -25	.0026L	-0.0026	.0016L	-0.0016	.0010L	-0.00100005L	-0.0004
32	6.2992	160.000		18L	-43	11T	-14	25T	+0	32T	7
34	6.6929	170.000		68L	-68	39L	-39	25L	-25	11L	-11
36	7.0866	180.000											
38	7.4803	190.000	+0.0000 -0.0012										
40	7.8740	200.000		.0008L	-0.0020	.0006T	-0.0006	.0012T	0.0000
44	8.6614	220.000	+0 -30	.0032L	-0.0032	.0018L	-0.0018	.0012L	-0.0012
48	9.4488	240.000		20L	-50	15T	-15	30T	+0
52	10.2362	260.000	+0.0000 -0.0014	79L	-79	44L	-44	29L	-29
56	11.0236	280.000		.0008L	-0.0022	.0007T	-0.0007	.0014T	0.0000
60	11.811	300.000	+0 -35	.0034L	-0.0034	.0019L	-0.0019	.0012L	-0.0012
				21L	-56	18T	-17	35T	+0
				88L	-88	49L	-49	32L	-32

1µm = .001 mm

#The arithmetical mean of the largest and smallest single diameter to be within tolerance shown.

Allowable deviations from mean diameter per ANSI/ABMA STD 20, latest printing.

For additional shaft sizes, please consult Rexnord Bearing Engineering for proper fitting practices.

Class of Fit Selection

Operating condition			Examples	Nominal shaft diameter		Class of fit ■	Remarks
				mm	inches		
Inner ring stationary in relation to direction of load.	All loads	Inner ring has to be easily displaced	Wheel on stationary shaft	All diameters		g6	
		Inner ring does not have to be easily displaced	Tension pulleys and rope sheaves			h6	
Direction of load indeterminate or inner ring rotating in relation to direction of load.	Radial load		Electric apparatus, machine tools, pumps, ventilators, industrial trucks	<=40 40—100 100—200	<=1.57 1.57—3.94 3.94—7.88	j6 k6 m6	When greater accuracy is required, use j5, k5 and m5 for j6, k6, and m6 respectively.
	Light load <=0.08C★						
	Normal load >0.08C★ <=0.18C★		Applications in general, electrical motors, turbines pumps, combustion engines, gear transmissions, wood working machines	<=40 40—65 65—100 100—140 140—280 280—500 >500	<=1.57 1.57—2.56 2.56—3.94 3.94—5.52 5.52—11.10 11.10—19.7 >19.7	k5 m5 m6 n6 p6 r6 r7	
	Heavy load >0.18C★		Journal boxes for locomotives & other heavyrail vehicles, traction motors	<=40 40—65 65—100 100—140 140—200 >200	<=1.57 1.57—2.56 2.56—3.94 3.94—5.52 5.52—7.88 >7.88	m5 m6 n6 p6 r6 r7	

Bearing/Shafts Diameter Fits*

j6		k5		k6		m5		m6		n6		p6		r6	
Tolerance		Tolerance		Tolerance		Tolerance		Tolerance		Tolerance		Tolerance		Tolerance	
Fit	Shaft Dia.	Fit	Shaft Dia.	Fit	Shaft Dia.	Fit	Shaft Dia.	Fit	Shaft Dia.	Fit	Shaft Dia.	Fit	Shaft Dia.	Fit	Shaft Dia.
.0009T	0.0004	.0010T	0.0005	.0012T	0.0007	.0013T	0.0008	.0015T	0.001	.0018T	0.0013
.0002L	-.0002	.0001T	0.0001	.0001T	0.0001	.0004T	0.0004	.0004T	0.0004	.0007T	0.0007
23T	11	25T	13	30T	18	32T	20	37T	25	45T	33
5L	-5	2T	2	2T	2	9T	9	9T	9	17T	17
.0010T	0.0004	.0012T	0.0006	.0014T	0.0008	.0016T	0.001	.0018T	0.0012	.0021T	0.0015	.0027T	0.021	.	.
.0003L	-.0003	.0001T	0.0001	.0001T	0.0001	.0005T	0.0005	.0005T	0.0005	.0008T	0.0008	.0014T	0.0014	.	.
22T	12	30T	15	36T	21	39T	24	45T	30	54T	39	66T	51	.	.
7L	-7	2T	2	2T	2	11T	11	11T	11	20T	20	32T	32	.	.
.0013T	0.0005	.0015T	0.0007	.0018T	0.001	.0019T	0.0011	.0022T	0.0014	.0027T	0.0019	.0033T	0.0025	.0037T	0.0029
.0004L	-.0004	.0001T	0.0001	.0001T	0.0001	.0005T	0.0005	.0005T	0.0005	.0010T	0.001	.0016T	0.0016	.0020T	0.002
33T	13	38T	18	45T	25	48T	28	55T	35	65T	45	79T	59	93T	73
9L	-9	3T	3	3T	3	13T	13	13T	13	23T	23	37T	37	51T	51
.0016T	0.006	.0018T	0.0008	.0021T	0.0011	.0023T	0.0013	.0026T	0.0016	.0032T	0.002	.0038T	0.0028	.0045T	0.0035
.0004L	-.0004	.0001T	0.0001	.0001T	0.0001	.0006T	0.0006	.0006T	0.0006	.0012T	0.0011	.0018T	0.0018	.0025T	0.0025
39T	14	46T	21	53T	28	58T	33	65T	40	77T	52	93T	68	115T	90
11L	-11	3T	3	3T	3	15T	15	15T	15	27T	27	43T	43	65T	65
.0019T	0.0007	.0022T	0.001	.0026T	0.0014	.0026T	0.0014	.0030T	0.0018	.0038T	0.0026	.0044T	0.0032	.0054T	0.0042
.0005L	-.0005	.0002T	0.0002	.0002T	0.0002	.0006T	0.0006	.0006T	0.0006	.0014T	0.0014	.0020T	0.002	.0030T	0.003
46T	16	54T	24	63T	33	67T	37	76T	46	90T	60	109T	79	136T	106
16L	-16	4T	4	4T	4	17T	17	17T	17	31T	31	50T	50	77T	77
.0021T	0.0007	.0025T	0.0011	.0028T	0.0014	.0031T	0.0017	.0034T	0.002	.0040T	0.0026	.0048T	0.0034	.0061T	0.0047
.0006L	-.0006	.0002T	0.0002	.0002T	0.0002	.0008T	0.0008	.0008T	0.0008	.0014T	0.0014	.0022T	0.0022	.0035T	0.0035
51T	16	62T	27	71T	36	78T	43	87T	52	101T	66	123T	88	161T	126
16L	-16	4T	4	4T	4	20T	20	20T	20	34T	34	56T	56	94T	94

* Symbol L indicates a loose or clearance fit; Symbol T indicates a tight or interference fit.

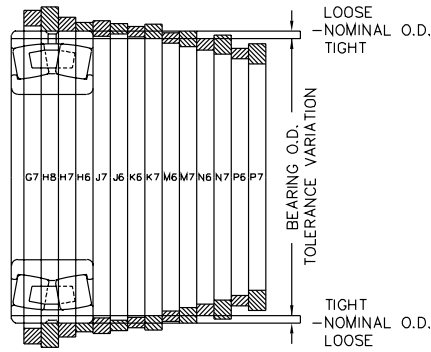
■ For solid steel shafts.

★ = basic load rating of bearing.

The appropriate shaft diameter for any class of fit can be easily determined by applying the shaft tolerance to the nominal shaft diameter. Example: (Using basic bearing size 08 and fit class f6).

		inches			mm	
Nominal shaft diameter	=	1.5748	1.5748	=	40	40
Shaft diameter tolerance	=	-0.001	-0.0016	=	-0.025	-0.041
Resultant shaft diameter	=	1.5738	1.5732	=	39.975	39.959

Housing Bearing Seat Diameters



Bearing outside diameter tolerances are in accord with the system of tolerancing established by the International Standards Organization (ISO) and adopted by the American Bearing Manufacturers Association (ABMA) and the American National Standards Institute (ANSI).

A system of limits and fits has been established by ISO for shafts. A portion of this system has been adopted by ABMA to provide flexibility in selecting shaft fits. Housing fits are designated by a capital letter and a number, such as H7. The letter indicates the location of the housing bore tolerance limits with respect to the nominal bearing O.D. The number indicates the size of the tolerance zone.

Housing fits recommended for various types of applications are listed in the table at right. A graphic relationship of various housing fits is illustrated in the figure at the left.

The class of fit is determined by nature of loading (oscillating, vibrating, reversing, etc.), axial movement requirements, temperature conditions, housing material and cross section of housing.

Shaft expansion increases bearing center distances and requires all but one bearing on a shaft to be movable axially in the housing. In most bearings the outer rings are subjected to stationary loads which permit a loose housing fit.

Operating temperature may affect the housing fit, as the housing may dissipate heat rapidly and not expand with the outer ring. However, the loose fit must never be greater than necessary. Excessive looseness results in less accurate shaft centering and additional ring deformation under load.

The appropriate housing bores are determined (as shown) from the tables below.

Class of Fit and Housing Bores

Bearing Series					Nominal bearing O.D. and housing bore		Bearing O.D. tolerance	Bearing/Housing diameter fits ^A									
								G7		H8		H7		H6		J7	
222, 232	223	230	231	Basic Size		inches	mm	Tolerance		Tolerance		Tolerance		Tolerance		Tolerance	
					Fit			Housing Bore	Fit	Housing Bore	Fit	Housing Bore	Fit	Housing Bore	Fit	Housing Bore	
09	3.3465	85.000	+0.000 -0.006	.0005L	0.0005	.0000	+0.000	.0000	+0.000	.0000	+0.000	.0005T	-0.0005	
10	08	3.5433	90.000		.0025L	0.0019	.0028L	0.0022	.0020L	0.0014	.0015L	0.0009	.0015L	0.0009	
11	09	3.9370	100.000	+0 -15	12L	12	0	+0	0	+0	0	+0	13T	-13	
12	10	4.3307	110.000		62L	47	69L	54	50L	35	37L	22	37L	22	
13	11	4.7244	120.000												
14	4.9312	125.000	+0.000 -0.008	.0006L	0.0006	.0000	+0.000	.0000	+0.000	.0000	+0.000	.0006T	-0.0006	
15	12	5.1181	130.000		.0030L	0.0022	.0033L	0.0025	.0024L	0.0016	.0018L	0.0010	.0018L	0.0010	
16	13	5.5118	140.000	+0 -20	14L	14	0	+0	0	+0	0	+0	14T	-14	
17	14	5.9055	150.000		74L	54	83L	63	60L	40	45L	25	46L	26	
18	15	6.2992	165.000	+0.000 -0.010	.0006L	0.0006	.0000	+0.000	.0000	+0.000	.0000	+0.000	.0006T	-0.0006	
19	16	6.6929	170.000		.0032L	0.0022	.0035L	0.0025	.0026L	0.0016	.0020L	0.0010	.0020L	0.0010	
20	17	24	22	7.0866	180.000	+0 -25	14L	14	0	+0	0	+0	0	+0	14T	-14	
..	18	7.4803	190.000		79L	54	88L	63	65L	40	50L	25	51L	26	
22	19	26	24	7.8740	200.000	+0.000 -0.012											
..	..	28	26	8.2677	210.000		.0006L	0.0006	.0000	+0.000	.0000	+0.000	.0000	+0.000	.0007T	-0.0007	
24	20	8.4646	215.000		.0036L	0.0024	.0040L	0.0028	.0030L	0.0018	.0024L	0.0012	.0023L	0.0011	
..	..	30	28	8.8583	225.000	+0 -30	15L	15	0	+0	0	+0	0	+0	16T	-16	
26	9.0551	230.000		91L	61	102L	72	76L	46	59L	29	60L	30	
..	22	32	..	9.4488	240.000												
28	30	9.8425	250.000												
..	24	34	..	10.2362	260.000	+0.000 -0.014											
30	32	10.6299	270.000		.0007L	0.0007	.0000	+0.000	.0000	+0.000	.0000	+0.000	.0007T	-0.0007	
..	26	36	34	11.0236	280.000		.0041L	0.0027	.0044L	0.0030	.0034L	0.0020	.0026L	0.0012	.0027L	0.0013	
32	..	38	..	11.4173	290.000	+0 -35	17L	17	0	+0	0	+0	0	+0	16T	-16	
..	28	..	36	11.8110	300.000		104L	69	116L	81	87L	52	67L	32	71L	36	
34	..	40	..	12.2047	310.000												
36	30	..	38	12.5984	320.000	+0.000 -0.016											
38	32	44	40	13.3858	340.000		.0007L	0.0007	.0000	+0.000	.0000	+0.000	.0000	+0.000	.0007L	-0.0007	
40	34	48	..	14.1732	360.000		.0045L	0.0029	.0051L	0.0035	.0038L	0.0022	.0030L	0.0014	.0031L	0.0015	
..	44	14.5669	370.000	+0 -40	18L	18	0	+0	0	+0	0	+0	18T	-18	
..	36	14.9606	380.000		115L	75	129L	89	97L	57	76L	36	79L	39	
44	38	52	48	15.7480	400.000												
..	40	56	..	16.5354	420.000	+0.000 -0.018	.0008L	0.0008	.0000	+0.000	.0000	+0.000	.0000	+0.000	.0009T	-0.0009	
48	17.3228	440.000		.0051L	0.0033	.0056L	0.0038	.0043L	0.0025	.0034L	0.0016	.0034L	0.0016	
..	44	60	..	18.1102	460.000	+0 -45	20L	20	0	+0	0	+0	0	+0	20T	-20	
..		128L	83	142L	97	108L	63	85L	40	88L	43	

The arithmetical mean of the largest and smallest single diameter to be within tolerance shown.

Allowable deviations from mean diameter per ANSI/ABMA STD 20, latest printing.

^A Symbol L indicates a loose or clearance fit. Symbol T indicates a tight or interference fit.

The appropriate housing bore for any class of fit can be easily determined by applying the housing tolerance to the nominal housing bore.

Example: (Using basic bearing size 09 and fit class G7).

For larger bearing sizes please consult Rexnord Bearing Engineering for proper housing fit practices.

			inches			mm
Nominal housing bore	=	3.3465	3.3465	=	85.000	85.000
Shaft bore tolerance	=	+ .0005	+ .0019	=	+ 0.012	+ 0.047
Resultant housing bore	=	3.3470	3.3484	=	85.012	85.047

Class of Fit Selection

Housing Construction	Operating Condition		Examples	Class of Fit	Remarks	
Housing not split radially	Housing rotating in relation to direction of load	Heavy loads on bearings in thin-walled housing	Supporting wheels in cranes, wheel hubs with roller bearings, crank bearings	P6*	Outer ring not axially displaceable	
		Normal and heavy loads	Wheel hubs with roller bearings, crank bearings	N6*		
		Light loads	Conveyor rollers, rope sheaves, tension pulleys	M6*		
Housing split or housing not split radially	Direction of load indeterminate	Heavy shock loads	Electrical fraction motors	K6*	Outer ring, as a rule, not axially displaceable	
		Heavy and normal loads where outer ring does not have to be axially displaceable	Electrical motors, pumps, crankshaft main bearings			
	Housing stationary in relation to direction of load	Normal and light loads where displaceability of outer ring is desirable		Journal boxes for rail vehicles	J6*	Outer ring as a rule, axially displaceable
		Shock loads, a temporary complete unloading				
		All loads	Housing not split radially	Bearing applications in general, journal boxes for rail vehicles	H6*	Outer ring easily displaceable axially
			Housing split radially	Line shafting	H7	
Heat supplied through shaft		Dryer cylinders	G7			

Bearing/Housing Diameter Fits ^A

J6		K6		K7		M6		M7		N6		N7		P7	
Tolerance		Tolerance		Tolerance		Tolerance		Tolerance		Tolerance		Tolerance		Tolerance	
Fit	Housing Bore	Fit	Housing Bore	Fit	Housing Bore	Fit	Housing Bore	Fit	Housing Bore	Fit	Housing Bore	Fit	Housing Bore	Fit	Housing Bore
.002T	-.002	.0007T	-.0007	.0010T	-.0010	.0012T	-.0012	.0014T	-.0014	.0016T	-.0016	.0018T	-.0018	.0025T	-.0025
.0013L	0.0007	.0008L	0.0002	.0010L	0.0004	.0003L	-.0003	.0006L	0	.0001T	-.0007	.0002L	-.0004	.0005T	-.0011
6T	-6	18T	-18	25T	-25	28T	-28	35T	-35	38T	-38	45T	-45	59T	-59
31L	16	19L	4	25L	10	9L	-6	15L	0	1T	-16	5L	-10	9T	-24
.0003T	0.0003	.0008T	-.0008	.0011T	-.0011	.0013T	-.0013	.0016T	-.0016	.0019T	-.0019	.0022T	-.0022	.0028T	-.0028
.0015L	0.0007	.0010L	0.0002	.0013L	0.0005	.0005L	-.0003	.0008L	0	.0001T	-.0009	.0002L	-.0006	.0004T	-.0012
7T	-7	21T	-21	28T	-28	33T	-33	40T	-40	45T	-45	52T	-52	68T	-68
38L	18	24L	4	32L	12	12L	-8	20L	0	0T	-20	8L	-12	8T	-28
.0003T	-.0003	.0008T	-.0008	.0011T	-.0011	.0013T	-.0013	.0016T	-.0016	.0019T	-.0019	.0022T	-.0022	.0028T	-.0028
.0017L	0.0007	.0012L	0.0002	.0015L	0.0005	.0007L	-.0003	.0010L	0	.0001L	-.0009	.0004L	-.0006	.0002T	-.0012
7T	-7	21T	-21	28T	-28	33T	-33	40T	-40	45T	-45	52T	-52	68T	-68
43L	18	29L	4	37L	12	17L	-8	25L	0	5L	-20	13L	-12	3T	-28
.0003T	-.0003	.0010T	-.0010	.0013T	-.0013	.0015T	-.0015	.0018T	-.0018	.0022T	-.0022	.0026T	-.0026	.0032T	-.0032
.0021L	0.0009	.0014L	0.0002	.0017L	0.0005	.0009L	-.0003	.0012L	0	.0002L	-.0010	.0004L	-.0008	.0002T	-.0014
7T	-7	24T	-24	33T	-33	37T	-37	46T	-46	51T	-51	60T	-60	79T	-79
52L	22	35L	5	43L	13	22L	-8	30L	0	8L	-22	16L	-14	3T	-33
.0003T	-.0003	.0010T	-.0010	.0014T	-.0014	.0016T	-.0016	.0020T	-.0020	.0023T	-.0023	.0028T	-.0028	.0034T	-.0034
.0023L	0.0009	.0016L	0.0002	.0020L	0.0006	.0010L	-.0004	.0014L	0	.0003L	-.0011	.0006L	-.0008	0	-.0014
7T	-7	22T	-27	36T	-36	41T	-41	52T	-52	57T	-57	66T	-66	88T	-88
60L	25	40L	5	51L	16	26L	-9	35L	0	10L	-25	21L	-14	1T	-36
.0003T	-.0003	.0012T	-.0012	.0016T	-.0016	.0018T	-.0018	.0022T	-.0022	.0026T	-.0026	.0030T	-.0030	.0039T	-.0039
.0027L	0.0011	.0018L	0.0002	.0022L	0.0006	.0012L	-.0004	.0016L	0	.0004L	-.0012	.0008L	-.0008	.0001T	-.0017
7T	-7	29T	-29	40T	-40	46T	-46	57T	-57	62T	-62	73T	-73	98T	-98
69L	29	47L	7	57L	17	30L	-10	40L	0	14L	-26	26L	-16	1T	-41
.0003T	-.0003	.0012T	-.0012	.0018T	-.0018	.0020T	-.0020	.0025T	-.0025	.0028T	-.0028	.0034T	-.0034	.0044T	-.0044
.0031L	0.0013	.0022L	0.0004	.0025L	0.0007	.0014L	-.0004	.0018L	0	.0006L	-.0012	.0009L	-.0009	.0001T	-.0019
7T	-7	32T	-32	45T	-45	50T	-50	63T	-63	67T	-67	80T	-80	108T	-108
78L	33	53L	8	63L	18	35L	-10	45L	0	18L	-27	28L	-17	0	-45

■ For cast iron or steel housings. For housings of light metal, select tolerances which give slightly tighter fits than those shown.

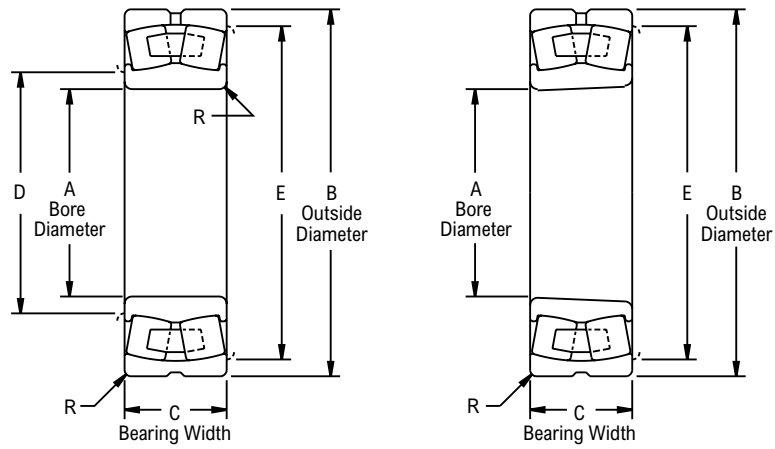
* Where wider tolerances are permissible P7, N7, M7, K7, J7 and H7 may be used for P6, N6, M6, K6, J6 and H6 respectively.

22200LB, 22200LBK



Product Features

- Cylindrical or Tapered bore
- Roller riding retainers
- Self-aligning
- High Capacity
- See Features and Benefits for additional info on page 274.



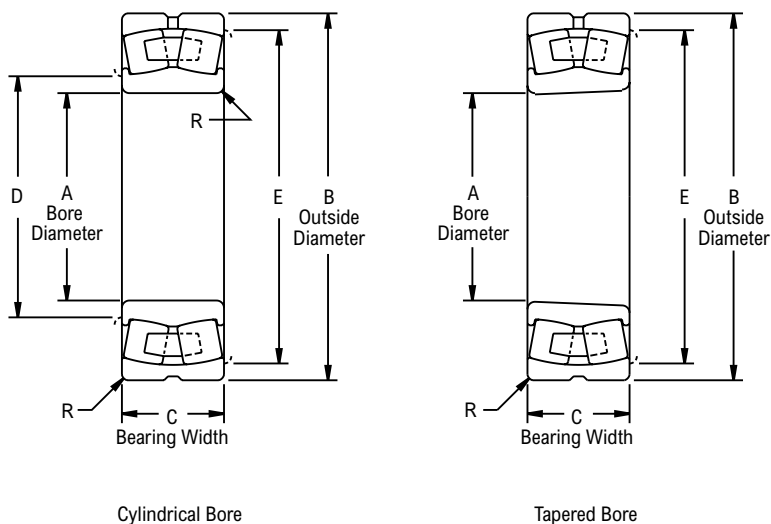
Cylindrical Bore

Tapered Bore

Bearing Dimensions

Cylindrical Part Number	Tapered Part Number	A Bore Diameter	B Outside Diameter	C Bearing Width	D	E	R	Approx. Weight
22209LBC3	22209LBKC3	1.7717 45.00	3.3465 85.00	0.9055 23.00	2.10 53	3.00 76	0.039 1.00	1.30
22210LBC3	22210LBKC3	1.9685 50.00	3.5433 90.00	0.9055 23.00	2.30 58	3.20 81	0.039 1.00	1.40
22211LBC3	22211LBKC3	2.1654 55.00	3.9370 100.00	0.9843 25.00	2.60 66	3.60 91	0.059 1.50	1.90
22212LBC3	22212LBKC3	2.3622 60.00	4.3307 110.00	1.1024 28.00	2.80 71	4.00 102	0.059 1.50	2.60
22213LBC3	22213LBKC3	2.5591 65.00	4.7244 120.00	1.2205 31.00	2.90 74	4.40 112	0.059 1.50	3.40
22214LBC3	22214LBKC3	2.7559 70.00	4.9213 125.00	1.2205 31.00	3.10 79	4.60 117	0.059 1.50	3.70
22215LBC3	22215LBKC3	2.9528 75.00	5.1181 130.00	1.2205 33.00	3.30 84	4.80 122	0.059 1.50	3.90
22216LBC3	22216LBKC3	3.1496 80.00	5.5118 140.00	1.2992 36.00	3.50 89	5.10 130	0.079 2.00	4.90
22217LBC3	22217LBKC3	3.3465 85.00	5.9055 150.00	1.4173 40.00	3.70 94	5.50 140	0.079 2.00	6.10
22218LBC3	22218LBKC3	3.5433 90.00	6.2992 160.00	1.5748 43.00	3.90 99	5.90 150	0.079 2.00	7.60
22219LBC3	22219LBKC3	3.7402 95.00	6.6929 170.00	1.6929 46.00	4.20 107	6.20 157	0.079 2.00	9.50
22220LBC3	22220LBKC3	3.9370 100.00	7.0866 180.00	1.8110 53.00	4.40 112	6.60 168	0.079 2.00	11.40
22222LBC3	22222LBKC3	4.3307 110.00	7.8740 200.00	2.0866 58.00	4.80 122	7.40 188	0.079 2.00	16.60
22224LBC3	22224LBKC3	4.7244 120.00	8.4646 215.00	2.2835 64.00	5.20 132	8.00 203	0.079 2.00	20.20
22226LBC3	22226LBKC3	5.1181 130.00	9.0551 230.00	2.5197 64.00	5.70 145	8.50 216	0.098 2.50	25.10
22228LBC3	22228LBKC3	5.5118 140.00	9.8425 250.00	2.6772 68.00	6.10 155	9.30 236	0.098 2.50	32.40

Continued...



Continued...

Bearing Dimensions

Cylindrical Part Number	Tapered Part Number	A Bore Diameter	B Outside Diameter	C Bearing Width	D	E	R	Approx. Weight
22230LBC3	22230LBK3	5.9055	10.6299	2.8740	6.50	10.10	0.098	40.90
		<i>150.00</i>	<i>270.00</i>	<i>73.00</i>	<i>165</i>	<i>257</i>	<i>2.50</i>	
22232LBC3	22232LBK3	6.2992	11.4173	3.1496	6.90	10.90	0.098	52.00
		<i>160.00</i>	<i>290.00</i>	<i>80.00</i>	<i>175</i>	<i>277</i>	<i>2.50</i>	
22234LBC3	22234LBK3	6.6929	12.2047	3.3858	7.40	11.50	0.118	64.60
		<i>170.00</i>	<i>310.00</i>	<i>86.00</i>	<i>188</i>	<i>292</i>	<i>3.00</i>	
22236LBC3	22236LBK3	7.0866	12.5984	3.3858	7.80	11.90	0.118	67.40
		<i>180.00</i>	<i>320.00</i>	<i>86.00</i>	<i>198</i>	<i>302</i>	<i>3.00</i>	
22238LBC3	22238LBK3	7.4803	13.3858	3.6220	8.20	12.70	0.118	81.90
		<i>190.00</i>	<i>340.00</i>	<i>92.00</i>	<i>208</i>	<i>323</i>	<i>3.00</i>	
22240LBC3	22240LBK3	7.8740	14.1732	3.8583	8.60	13.50	0.118	95.00
		<i>200.00</i>	<i>360.00</i>	<i>98.00</i>	<i>218</i>	<i>343</i>	<i>3.00</i>	
22244LBC3	22244LBK3	8.6614	15.7480	4.2520	9.40	15.10	0.118	133.00
		<i>220.00</i>	<i>400.00</i>	<i>108.00</i>	<i>239</i>	<i>384</i>	<i>3.00</i>	
22248LBC3	22248LBK3	9.4488	17.3228	4.7244	10.60	16.30	0.157	175.70
		<i>240.00</i>	<i>440.00</i>	<i>120.00</i>	<i>269</i>	<i>414</i>	<i>4.00</i>	

Additional Notes

Please call 1-866-REXNORD for availability

Tapered bore, 1:12 on diameter

Dimension "R" is the largest fillet radius that will clear bearing corners

For the Selection Guide Load Ratings and Speed Limits, see the Link-Belt Spherical Roller Bearings Engineering section on pages 276 - 287.

For shaft bearing seat diameters, see Link-Belt Spherical Roller Bearings Shaft & Housing Seat Diameters section on pages 284 - 287.

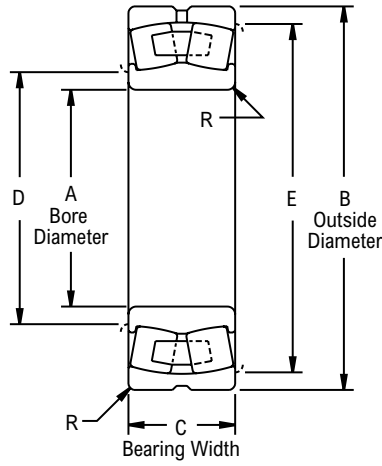
Note: Dimensions subject to change. Certified dimensions of ordered material furnished on request.

22300LB, 22300LBK

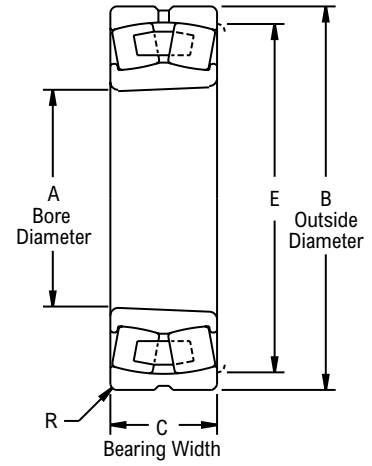


Product Features

- Cylindrical or Tapered bore
- Roller riding retainers
- Self-aligning
- Extra high capacity
- See Features and Benefits for additional info on page 274.



Cylindrical Bore

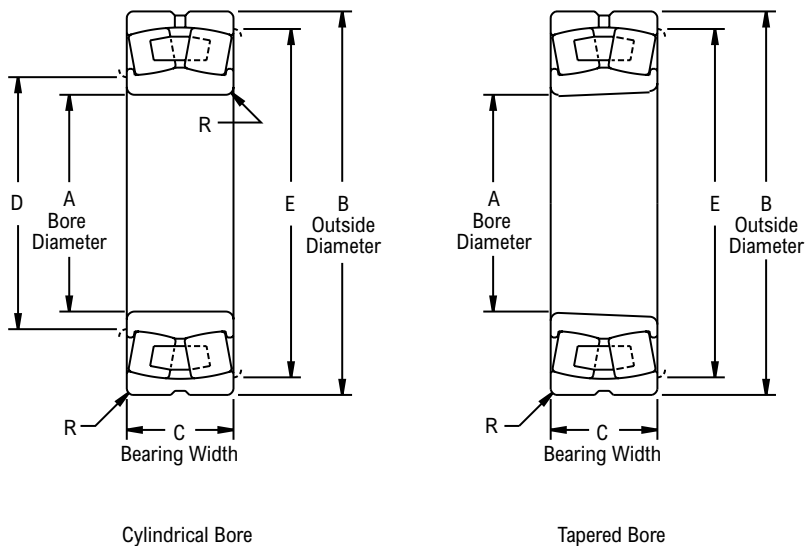


Tapered Bore

Bearing Dimensions

Cylindrical Part Number	Tapered Part Number	A Bore Diameter	B Outside Diameter	C Bearing Width	D	E	R	Approx. Weight
22308LBC3	22308LBKC3	1.5748 <i>40.00</i>	3.5433 <i>90.00</i>	1.2992 <i>33.00</i>	1.90 <i>48</i>	3.20 <i>81</i>	0.059 <i>1.50</i>	2.80
22309LBC3	22309LBKC3	1.7717 <i>45.00</i>	3.9370 <i>100.00</i>	1.4173 <i>36.00</i>	2.20 <i>56</i>	3.60 <i>91</i>	0.059 <i>1.50</i>	3.10
22310LBC3	22310LBKC3	1.9685 <i>50.00</i>	4.3307 <i>110.00</i>	1.5748 <i>40.00</i>	2.40 <i>61</i>	3.90 <i>99</i>	0.079 <i>2.00</i>	4.00
22311LBC3	22311LBKC3	2.1654 <i>55.00</i>	4.7244 <i>120.00</i>	1.6929 <i>43.00</i>	2.60 <i>66</i>	4.30 <i>109</i>	0.079 <i>2.00</i>	5.20
22312LBC3	22312LBKC3	2.3622 <i>60.00</i>	5.1181 <i>130.00</i>	1.8110 <i>46.00</i>	2.90 <i>74</i>	4.60 <i>117</i>	0.079 <i>2.00</i>	6.60
22313LBC3	22313LBKC3	2.5591 <i>65.00</i>	5.5118 <i>140.00</i>	1.8898 <i>48.00</i>	3.10 <i>79</i>	5.00 <i>127</i>	0.079 <i>2.00</i>	7.90
22314LBC3	22314LBKC3	2.7559 <i>70.00</i>	5.9055 <i>150.00</i>	2.0079 <i>51.00</i>	3.30 <i>84</i>	5.40 <i>137</i>	0.079 <i>2.00</i>	9.80
22315LBC3	22315LBKC3	2.9528 <i>75.00</i>	6.2992 <i>160.00</i>	2.1654 <i>55.00</i>	3.50 <i>89</i>	5.80 <i>147</i>	0.079 <i>2.00</i>	11.90
22316LBC3	22316LBKC3	3.1496 <i>80.00</i>	6.6929 <i>170.00</i>	2.2835 <i>58.00</i>	3.70 <i>94</i>	6.20 <i>157</i>	0.079 <i>2.00</i>	14.10
22317LBC3	22317LBKC3	3.3465 <i>85.00</i>	7.0866 <i>180.00</i>	2.3622 <i>60.00</i>	3.90 <i>99</i>	6.50 <i>165</i>	0.098 <i>2.50</i>	16.30
22318LBC3	22318LBKC3	3.5433 <i>90.00</i>	7.4803 <i>190.00</i>	2.5197 <i>64.00</i>	4.10 <i>104</i>	6.90 <i>175</i>	0.098 <i>2.50</i>	19.50
22319LBC3	22319LBKC3	3.7402 <i>95.00</i>	7.8740 <i>200.00</i>	2.6378 <i>67.00</i>	4.30 <i>114</i>	7.30 <i>185</i>	0.098 <i>2.50</i>	22.60
22320LBC3	22320LBKC3	3.9370 <i>100.00</i>	8.4646 <i>215.00</i>	2.8740 <i>73.00</i>	4.50 <i>124</i>	7.90 <i>201</i>	0.098 <i>2.50</i>	28.90
22322LBC3	22322LBKC3	4.3307 <i>110.00</i>	9.4488 <i>240.00</i>	3.1496 <i>80.00</i>	4.90 <i>135</i>	8.90 <i>226</i>	0.098 <i>2.50</i>	40.00
22324LBC3	22324LBKC3	4.7244 <i>120.00</i>	10.2362 <i>260.00</i>	3.3858 <i>86.00</i>	5.30 <i>150</i>	9.70 <i>246</i>	0.098 <i>2.50</i>	49.00
22326LBC3	22326LBKC3	5.1181 <i>130.00</i>	11.0236 <i>280.00</i>	3.6614 <i>93.00</i>	5.90 <i>150</i>	10.30 <i>262</i>	0.118 <i>3.00</i>	62.50
22328LBC3	22328LBKC3	5.5118 <i>140.00</i>	11.8110 <i>300.00</i>	4.0157 <i>102.00</i>	6.30 <i>160</i>	11.10 <i>282</i>	0.118 <i>3.00</i>	78.20

Continued...



Continued...

Bearing Dimensions

Cylindrical	Tapered	A	B	C	D	E	R	Approx. Weight
Part Number	Part Number	Bore Diameter	Outside Diameter	Bearing Width				
22330LBC3	22330LBKC3	5.9055	12.5984	4.2520	6.60	11.90	0.118	92.00
		<i>150.00</i>	<i>320.00</i>	<i>108.00</i>	<i>168</i>	<i>302</i>	<i>3.00</i>	
22332LBC3	22332LBKC3	6.2992	13.3858	4.4882	7.10	12.70	0.118	110.00
		<i>160.00</i>	<i>340.00</i>	<i>114.00</i>	<i>180</i>	<i>323</i>	<i>3.00</i>	
22334LBC3	22334LBKC3	6.6929	14.1732	4.7244	7.40	13.50	0.118	129.00
		<i>170.00</i>	<i>360.00</i>	<i>120.00</i>	<i>188</i>	<i>343</i>	<i>3.00</i>	
22336LBC3	22336LBKC3	7.0866	14.9606	4.9606	7.80	14.30	0.118	153.00
		<i>180.00</i>	<i>380.00</i>	<i>126.00</i>	<i>198</i>	<i>363</i>	<i>3.00</i>	
22338LBC3	22338LBKC3	7.4803	15.7480	5.1968	8.40	14.90	0.157	176.00
		<i>190.00</i>	<i>400.00</i>	<i>132.00</i>	<i>213</i>	<i>378</i>	<i>4.00</i>	
22340LBC3	22340LBKC3	7.8740	16.5354	5.4331	8.80	15.70	0.157	200.00
		<i>200.00</i>	<i>420.00</i>	<i>138.00</i>	<i>224</i>	<i>399</i>	<i>4.00</i>	
22344LBC3	22344LBKC3	8.6614	18.1102	5.7087	9.60	17.30	0.157	287.00
		<i>220.00</i>	<i>460.00</i>	<i>145.00</i>	<i>244</i>	<i>439</i>	<i>4.00</i>	
22348LBC3	22348LBKC3	9.4488	19.6850	6.1024	10.70	18.40	0.197	321.90
		<i>240.00</i>	<i>500.00</i>	<i>155.00</i>	<i>272</i>	<i>467</i>	<i>5.00</i>	
22356LBC3	22356LBKC3	11.0236	22.8346	6.8898	12.60	21.30	0.236	482.80
		<i>280.00</i>	<i>580.00</i>	<i>175.00</i>	<i>320</i>	<i>541</i>	<i>6.00</i>	

Additional Notes

Please call 1-866-REXNORD for availability

Tapered bore, 1:12 on diameter

Dimension "R" is the largest fillet radius that will clear bearing corners

For the Selection Guide Load Ratings and Speed Limits, see the Link-Belt Spherical Roller Bearings Engineering section on pages 276 - 287.

For shaft bearing seat diameters, see Link-Belt Spherical Roller Bearings Shaft & Housing Seat Diameters section on pages 284 - 287.

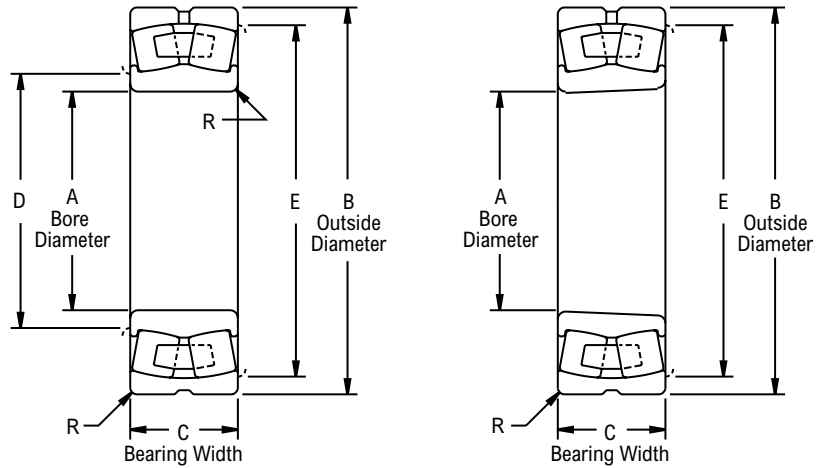
Note: Dimensions subject to change. Certified dimensions of ordered material furnished on request.

23000LB, 23000LBK



Product Features

- Cylindrical or Tapered bore
- Roller riding retainers
- Self-aligning
- Extra high capacity
- See Features and Benefits for additional info on page 274.



Cylindrical Bore

Tapered Bore

Bearing Dimensions

Cylindrical Part Number	Tapered Part Number	A Bore Diameter	B Outside Diameter	C Bearing Width	D	E	R	Approx. Weight
23044LBC3	23044LBK3	8.6614 <i>220.00</i>	13.3858 <i>340.00</i>	3.5433 <i>90.00</i>	9.60 <i>244</i>	12.60 <i>320</i>	0.118 <i>3.00</i>	64.80
23048LBC3	23048LBK3	9.4488 <i>240.00</i>	14.1732 <i>360.00</i>	3.6220 <i>92.00</i>	10.00 <i>254</i>	13.60 <i>345</i>	0.098 <i>2.50</i>	74.60
23052LBC3	23052LBK3	10.2362 <i>260.00</i>	15.7480 <i>400.00</i>	4.0945 <i>104.00</i>	11.40 <i>290</i>	14.70 <i>373</i>	0.157 <i>4.00</i>	101.90
23056LBC3	23056LBK3	11.0236 <i>280.00</i>	16.5354 <i>420.00</i>	4.1732 <i>106.00</i>	11.80 <i>300</i>	15.80 <i>401</i>	0.118 <i>3.00</i>	117.60
23060LBC3	23060LBK3	11.8110 <i>300.00</i>	18.1102 <i>460.00</i>	4.6457 <i>118.00</i>	13.00 <i>330</i>	17.00 <i>432</i>	0.118 <i>3.00</i>	163.30
23064LBC3	23064LBK3	12.5984 <i>320.00</i>	18.8976 <i>480.00</i>	4.7638 <i>121.00</i>	13.90 <i>353</i>	16.40 <i>417</i>	0.157 <i>4.00</i>	165.10
23068LBC3	23068LBK3	13.3858 <i>340.00</i>	20.4724 <i>520.00</i>	5.2362 <i>133.00</i>	14.80 <i>376</i>	19.20 <i>488</i>	0.197 <i>5.00</i>	220.50
23072LBC3	23072LBK3	14.1732 <i>360.00</i>	21.2598 <i>540.00</i>	5.2756 <i>134.00</i>	15.70 <i>399</i>	20.00 <i>508</i>	0.197 <i>5.00</i>	231.50
23076LBC3	23076LBK3	14.9606 <i>380.00</i>	22.0472 <i>560.00</i>	5.3150 <i>135.00</i>	16.50 <i>419</i>	20.80 <i>528</i>	0.197 <i>5.00</i>	246.90
23080LBC3	23080LBK3	15.7480 <i>400.00</i>	23.6220 <i>600.00</i>	5.8268 <i>148.00</i>	17.30 <i>439</i>	22.30 <i>566</i>	0.197 <i>5.00</i>	319.70
23084LBC3	23084LBK3	16.5354 <i>420.00</i>	24.4094 <i>620.00</i>	5.9055 <i>150.00</i>	18.10 <i>460</i>	23.10 <i>587</i>	0.197 <i>5.00</i>	330.70
23088LBC3	23088LBK3	17.3228 <i>440.00</i>	25.5906 <i>650.00</i>	6.1811 <i>157.00</i>	19.20 <i>488</i>	24.00 <i>610</i>	0.236 <i>6.00</i>	378.40
23092LBC3	23092LBK3	18.1102 <i>460.00</i>	26.7717 <i>680.00</i>	6.4173 <i>163.00</i>	20.00 <i>508</i>	25.10 <i>638</i>	0.236 <i>6.00</i>	438.70
23096LBC3	23096LBK3	18.8976 <i>480.00</i>	27.5591 <i>700.00</i>	6.4961 <i>165.00</i>	20.80 <i>528</i>	25.90 <i>658</i>	0.236 <i>6.00</i>	463.00
230530LBC3	230530LBK3	20.8661 <i>530.00</i>	30.7087 <i>780.00</i>	7.2835 <i>185.00</i>	22.90 <i>582</i>	29.00 <i>737</i>	0.236 <i>6.00</i>	651.20
230560LBC3	230560LBK3	22.0472 <i>560.00</i>	32.2835 <i>820.00</i>	7.6772 <i>195.00</i>	24.10 <i>612</i>	30.60 <i>777</i>	0.236 <i>6.00</i>	756.80
230600LBC3	230600LBK3	23.6220 <i>600.00</i>	34.2520 <i>870.00</i>	7.8740 <i>200.00</i>	25.80 <i>655</i>	32.50 <i>826</i>	0.236 <i>6.00</i>	855.80
230630LBC3	230630LBK3	24.8031 <i>630.00</i>	36.2205 <i>920.00</i>	8.3465 <i>212.00</i>	27.30 <i>693</i>	34.10 <i>866</i>	0.315 <i>8.00</i>	1,029.60

Additional Notes

- Please call 1-866-REXNORD for availability
- Tapered bore, 1:12 on diameter
- Dimension "R" is the largest fillet radius that will clear bearing corners
- For the Selection Guide Load Ratings and Speed Limits, see the Link-Belt Spherical Roller Bearings Engineering section on pages 276 - 287.

For shaft bearing seat diameters, see Link-Belt Spherical Roller Bearings Shaft & Housing Seat Diameters section on pages 284 - 287.

Note: Dimensions subject to change. Certified dimensions of ordered material furnished on request.

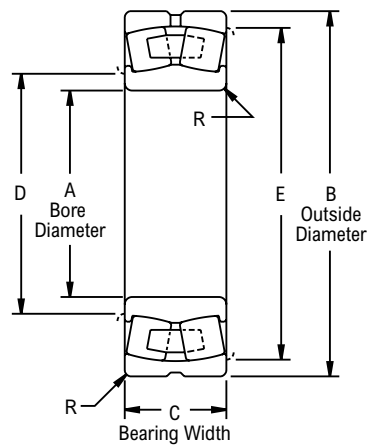
23100LB, 23100LBK



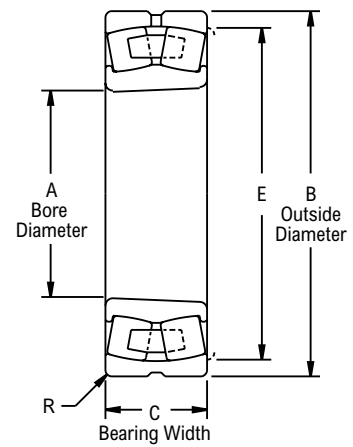
Photo Shows an Unmounted Spherical Roller Bearing Unit

Product Features

- Cylindrical or Tapered bore
- Roller riding retainers
- Self-aligning
- High Capacity
- See Features and Benefits for additional info on page 274.



Cylindrical Bore



Tapered Bore

Bearing Dimensions

Cylindrical Part Number	Tapered Part Number	A Bore Diameter	B Outside Diameter	C Bearing Width	D	E	R	Approx. Weight
23144LBC3	23144LBK3	8.6614 <i>220.00</i>	14.5669 <i>370.00</i>	4.7244 <i>120.00</i>	9.80 <i>249</i>	13.50 <i>343</i>	0.157 <i>4.00</i>	116.00
23148LBC3	23148LBK3	9.4488 <i>240.00</i>	15.7480 <i>400.00</i>	5.0394 <i>128.00</i>	10.60 <i>269</i>	14.70 <i>373</i>	0.157 <i>4.00</i>	142.00
23152LBC3	23152LBK3	10.2362 <i>260.00</i>	17.3228 <i>440.00</i>	5.6693 <i>144.00</i>	11.40 <i>290</i>	16.30 <i>414</i>	0.157 <i>4.00</i>	193.10
23156LBC3	23156LBK3	11.0236 <i>280.00</i>	18.1102 <i>460.00</i>	5.7480 <i>146.00</i>	12.40 <i>315</i>	16.90 <i>429</i>	0.197 <i>5.00</i>	206.30
23160LBC3	23160LBK3	11.8110 <i>300.00</i>	19.6850 <i>500.00</i>	6.2992 <i>160.00</i>	13.20 <i>335</i>	18.40 <i>467</i>	0.197 <i>5.00</i>	273.40
23164LBC3	23164LBK3	12.5984 <i>320.00</i>	21.2598 <i>540.00</i>	6.9291 <i>176.00</i>	14.00 <i>356</i>	20.00 <i>508</i>	0.197 <i>5.00</i>	354.90
23168LBC3	23168LBK3	13.3858 <i>340.00</i>	22.8346 <i>580.00</i>	7.4803 <i>190.00</i>	14.80 <i>376</i>	21.50 <i>546</i>	0.197 <i>5.00</i>	451.90
23172LBC3	23172LBK3	14.1732 <i>360.00</i>	23.6220 <i>600.00</i>	7.5591 <i>192.00</i>	15.70 <i>399</i>	20.00 <i>508</i>	0.197 <i>5.00</i>	474.00
23176LBC3	23176LBK3	14.9606 <i>380.00</i>	24.4094 <i>620.00</i>	7.6378 <i>194.00</i>	16.50 <i>419</i>	23.10 <i>587</i>	0.197 <i>5.00</i>	500.40
23180LBC3	23180LBK3	15.7480 <i>400.00</i>	25.5905 <i>650.00</i>	7.8740 <i>200.00</i>	17.60 <i>447</i>	24.00 <i>610</i>	0.236 <i>6.00</i>	564.40
23184LBC3	23184LBK3	16.5354 <i>420.00</i>	27.5591 <i>700.00</i>	8.8189 <i>224.00</i>	18.30 <i>465</i>	25.90 <i>658</i>	0.236 <i>6.00</i>	745.10
23188LBC3	23188LBK3	17.3228 <i>440.00</i>	28.3465 <i>720.00</i>	8.8976 <i>226.00</i>	19.20 <i>488</i>	26.70 <i>678</i>	0.236 <i>6.00</i>	789.20
23192LBC3	23192LBK3	18.1102 <i>460.00</i>	29.9213 <i>760.00</i>	9.4488 <i>240.00</i>	20.30 <i>516</i>	27.90 <i>709</i>	0.315 <i>8.00</i>	925.90
23196LBC3	23196LBK3	18.8976 <i>480.00</i>	31.1024 <i>790.00</i>	9.7638 <i>248.00</i>	21.10 <i>536</i>	29.10 <i>739</i>	0.315 <i>8.00</i>	1,040.60
231530LBC3	231530LBK3	20.8661 <i>530.00</i>	34.2520 <i>870.00</i>	10.7087 <i>272.00</i>	23.20 <i>589</i>	32.20 <i>818</i>	0.315 <i>8.00</i>	1,381.60
231560LBC3	231560LBK3	22.0472 <i>560.00</i>	36.2205 <i>920.00</i>	11.0236 <i>280.00</i>	24.40 <i>620</i>	34.10 <i>866</i>	0.315 <i>8.00</i>	1,599.40
231600LBC3	231600LBK3	23.6220 <i>600.00</i>	38.5827 <i>980.00</i>	11.8110 <i>300.00</i>	26.10 <i>663</i>	36.40 <i>925</i>	0.315 <i>8.00</i>	1,975.60
231630LBC3	231630LBK3	24.8031 <i>630.00</i>	40.5512 <i>1,030.00</i>	12.4016 <i>315.00</i>	27.30 <i>693</i>	38.30 <i>973</i>	0.315 <i>8.00</i>	2,288.00

Additional Notes

- Please call 1-866-REXNORD for availability
- Tapered bore, 1:12 on diameter
- Dimension "R" is the largest fillet radius that will clear bearing corners
- For the Selection Guide Load Ratings and Speed Limits, see the Link-Belt Spherical Roller Bearings Engineering section on pages 276 - 287.

For shaft bearing seat diameters, see Link-Belt Spherical Roller Bearings Shaft & Housing Seat Diameters section on pages 284 - 287.

Note: Dimensions subject to change. Certified dimensions of ordered material furnished on request.

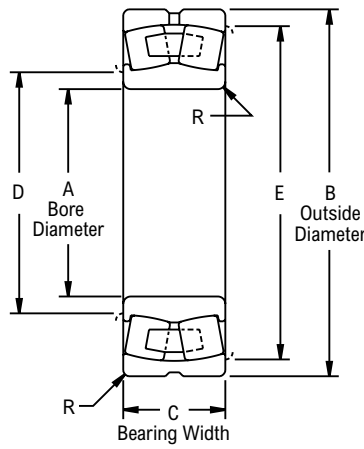
23200LB, 23200LBK



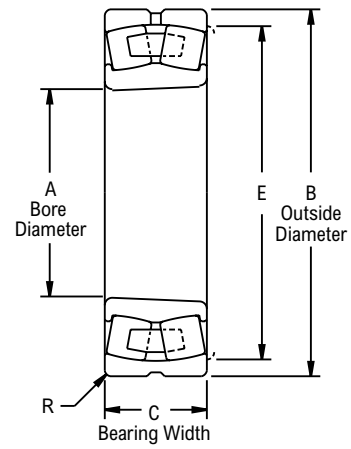
Photo Shows an Unmounted Spherical Roller Bearing Unit

Product Features

- Cylindrical or Tapered bore
- Roller riding retainers
- Self-aligning
- High Capacity
- See Features and Benefits for additional info on page 274.



Cylindrical Bore



Tapered Bore

Bearing Dimensions

Cylindrical Part Number	Tapered Part Number	A Bore Diameter	B Outside Diameter	C Bearing Width	D	E	R	Approx. Weight
23244LBC3	23244LBKC3	8.6614 <i>220.00</i>	15.7480 <i>400.00</i>	5.6693 <i>144.00</i>	9.80 <i>249</i>	14.70 <i>373</i>	0.157 <i>4.00</i>	175.70
23248LBC3	23248LBKC3	9.4488 <i>240.00</i>	17.3228 <i>440.00</i>	6.2992 <i>160.00</i>	10.60 <i>269</i>	16.30 <i>414</i>	0.157 <i>4.00</i>	231.50
23252LBC3	23252LBKC3	10.2362 <i>260.00</i>	18.8976 <i>480.00</i>	6.8504 <i>174.00</i>	11.60 <i>295</i>	17.60 <i>447</i>	0.197 <i>5.00</i>	297.60
23256LBC3	23256LBKC3	11.0236 <i>280.00</i>	19.6850 <i>500.00</i>	6.9291 <i>176.00</i>	12.40 <i>315</i>	18.40 <i>467</i>	0.197 <i>5.00</i>	319.70
23260LBC3	23260LBKC3	11.8110 <i>300.00</i>	21.2598 <i>540.00</i>	7.5591 <i>192.00</i>	13.20 <i>335</i>	20.00 <i>508</i>	0.197 <i>5.00</i>	414.50
23264LBC3	23264LBKC3	12.5984 <i>320.00</i>	22.8346 <i>580.00</i>	8.1890 <i>208.00</i>	14.00 <i>356</i>	21.50 <i>546</i>	0.197 <i>5.00</i>	522.50
23268LBC3	23268LBKC3	13.3858 <i>340.00</i>	24.4094 <i>620.00</i>	8.8189 <i>224.00</i>	15.10 <i>384</i>	22.80 <i>579</i>	0.236 <i>6.00</i>	643.70
23272LBC3	23272LBKC3	14.1732 <i>360.00</i>	25.9905 <i>650.00</i>	9.1339 <i>232.00</i>	15.90 <i>404</i>	24.00 <i>610</i>	0.236 <i>6.00</i>	727.50
23276LBC3	23276LBKC3	14.9606 <i>380.00</i>	26.7717 <i>680.00</i>	9.4488 <i>240.00</i>	16.70 <i>424</i>	25.10 <i>638</i>	0.236 <i>6.00</i>	813.50
23280LBC3	23280LBKC3	15.7480 <i>400.00</i>	28.3465 <i>720.00</i>	10.0787 <i>256.00</i>	17.60 <i>447</i>	26.70 <i>678</i>	0.236 <i>6.00</i>	983.20
23284LBC3	23284LBKC3	16.5354 <i>420.00</i>	29.9213 <i>760.00</i>	10.7087 <i>272.00</i>	18.70 <i>475</i>	27.90 <i>709</i>	0.315 <i>8.00</i>	1,170.60
23288LBC3	23288LBKC3	17.3228 <i>440.00</i>	31.1024 <i>790.00</i>	11.0236 <i>280.00</i>	19.50 <i>495</i>	29.10 <i>739</i>	0.315 <i>8.00</i>	1,298.50
23292LBC3	23292LBKC3	18.1102 <i>460.00</i>	32.6772 <i>830.00</i>	11.6535 <i>296.00</i>	20.30 <i>516</i>	30.60 <i>777</i>	0.315 <i>8.00</i>	1,511.40
23296LBC3	23296LBKC3	18.8976 <i>480.00</i>	34.2520 <i>870.00</i>	12.2047 <i>310.00</i>	21.10 <i>536</i>	32.20 <i>818</i>	0.315 <i>8.00</i>	1,742.40

Additional Notes

- Please call 1-866-REXNORD for availability
- Tapered bore, 1:12 on diameter
- Dimension "R" is the largest fillet radius that will clear bearing corners
- For the Selection Guide Load Ratings and Speed Limits, see the Link-Belt Spherical Roller Bearings Engineering section on pages 276 - 287.
- For shaft bearing seat diameters, see Link-Belt Spherical Roller Bearings Shaft & Housing Seat Diameters section on pages 284 - 287.
- Note: Dimensions subject to change. Certified dimensions of ordered material furnished on request.

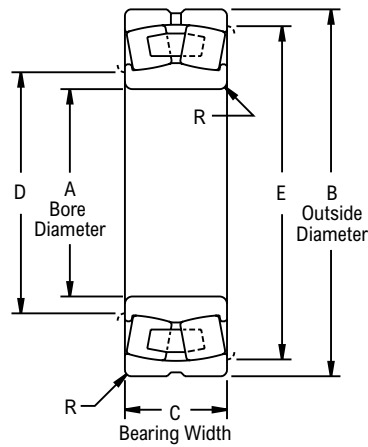
23900LB, 23900LBK



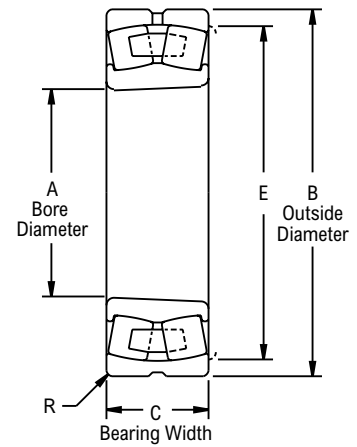
Photo Shows an Unmounted Spherical Roller Bearing Unit

Product Features

- Cylindrical or Tapered bore
- Roller riding retainers
- Self-aligning
- High Capacity
- See Features and Benefits for additional info on page 274.



Cylindrical Bore



Tapered Bore

Bearing Dimensions

Cylindrical Part Number	Tapered Part Number	A Bore Diameter	B Outside Diameter	C Bearing Width	D	E	R	Approx. Weight
23944LBC3	23944LBKC3	8.6614 <i>220.00</i>	11.8110 <i>300.00</i>	2.3622 <i>60.00</i>	9.50 <i>241</i>	11.10 <i>282</i>	0.079 <i>2.00</i>	26.70
23948LBC3	23948LBKC3	9.4488 <i>240.00</i>	12.5984 <i>320.00</i>	2.3622 <i>60.00</i>	10.40 <i>264</i>	11.90 <i>302</i>	0.079 <i>2.00</i>	28.90

Additional Notes

- Please call 1-866-REXNORD for availability
- Tapered bore, 1:12 on diameter
- Dimension "R" is the largest fillet radius that will clear bearing corners
- For the Selection Guide Load Ratings and Speed Limits, see the Link-Belt Spherical Roller Bearings Engineering section on pages 276 - 287.
- For shaft bearing seat diameters, see Link-Belt Spherical Roller Bearings Shaft & Housing Seat Diameters section on pages 284 - 287.
- Note: Dimensions subject to change. Certified dimensions of ordered material furnished on request.



BALL BEARINGS

Standard Duty (200 Series)

Units: Link-Belt

CONTENTS

PAGE

Features and Benefits	298
Nomenclature	300
Engineering	302
Dimensions	
Pillow Blocks	311
Flange Blocks	329
Take-up Blocks	353
Hanger Units	360
Take-up Assemblies	363
Hanger and Trough Units	365
Unmounted Replacement Bearings	367

INDUSTRIES SERVED

Aggregates
Agriculture
Air Handling
Package Handling
Construction
Shipping



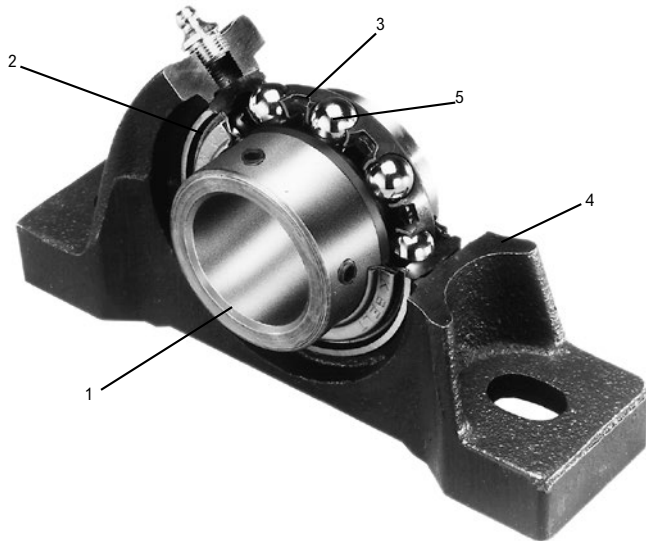
200 Series Standard & Intermediate Duty Ball Bearings

200 Series standard and intermediate duty ball bearing units provide a versatility of application arrangements for carrying shafts with radial or combination radial and thrust loads. They are designed for general purpose industrial machinery, conveyors, chain and belt drives, fans and blowers, power transmission and many other applications.

Collar Mounted Ball Bearings

Series CL200, U200, S200, W200, Y200 collar mounted or spring locking ball bearings, and round, square and hex bore ball bearings provide economic and versatile arrangements for supporting shafts, especially with the 2-piece formed steel flanged housings.

These product lines are designed for light industrial applications, agricultural machinery, lawn and garden equipment, recreational vehicles and other applications.



1. Inner Ring

Extended or wide inner ring for moderate or high stability and load support.

2. Choice of Locking Device

Choice of Centrik-Lok locking device, eccentric cam locking collar or spring locking or spring locking collar with set screws to lock inner ring securely to shaft.

3. Choice of Seal Type

Choice of steel-clad type H labyrinth seal, type N single lip seal or type E3 triple lip seal. W200 & S200 series have the type E single lip seal only available.

4. One-piece Housing

Compact one-piece housing provides excellent mounting support.

5. Precision Ball Bearing

Alignable precision deep groove ball bearing manufactured of quality alloy bearing steel provides high capacity and long life.

1. Precision Ball Bearing

Precision deep groove ball bearings or quality alloy bearing steel provide high capacity and long life.

2. Choice of Locking Device

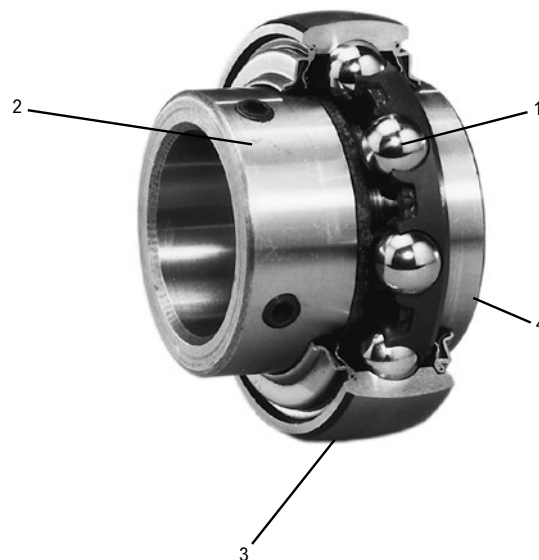
Choice of Centrik-Lok locking device, eccentric cam locking collar or spring locking or spring locking collar with set screws to lock inner ring securely to shaft.

3. Optional Features

Optional features such as spherical or cylindrical O.D.'s, relubricatable or non-relubricatable.

4. Inner Ring Options

Extended or wide inner rings to meet diverse application requirements.



Wide and Extended Inner Ring Ball Bearings

Centrik-Lok CL

Precision alignable ball bearings of deep groove construction for high capacity and high precision applications. Centrik-Lok device securely locks the bearing to the shaft. This method of locking provides excellent holding power and also centers the shaft in the bearing. It eliminates shaft damage because setscrews don't contact the shaft making bearing removal easier. The C200 wide inner ring furnishes increased shaft support and accommodates wider seals for extra lubricant capacity.



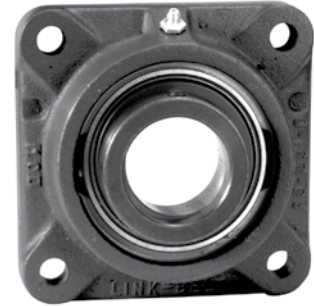
Spring Locking

Precision alignable ball bearings of deep groove construction for high capacity and high precision applications. Spring locking collar or setscrew locking securely locks the bearing to the shaft. The U200 wide inner ring furnishes increased shaft support and accommodates wider seals for extra lubricant capacity.



Eccentric Cam Locking Collars

Precision alignable ball bearings of deep groove construction. Eccentric cam locking collars hold the bearings securely to the shaft and further tightens with bearing rotation. The Y200 wide inner ring provides increased shaft support and accommodates wide seals for extra lubricant capacity.

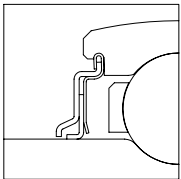


One-piece Housings

Rugged one-piece precision machined housings of many types provide a versatility of mounting arrangement and facilitate installation. All mounting surfaces are fully machined and all housings provide for easy bearing relubrication. Grease flows through the fitting into a machined grease groove and through the lubricant holes of the outer ring directly into the bearing chamber between the seals. Pillow blocks have slotted bolt holes with ample space provided for drilling dowel pin holes. Flanged units have drilled mounting holes. Take-up units have machined slots for accurate adjustment.

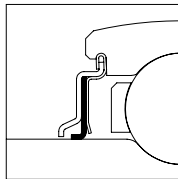
Steel Clad Seals

All bearing type seals are crimped tightly in the bearing outer rings with steel members and cannot be blown out during relubrication.



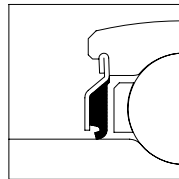
Type H Multi-labyrinth Seal

This seal's contoured external trash guard is an excellent all purpose low friction seal for grease lubrication.



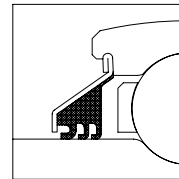
Type N Lip Seal

These seals have the same contoured external trash guard for maximum lip protection and a full land riding lip for grease retention and dirt exclusion. These seals ride on a precision ground surface of the bearing inner ring for smooth operation and tightness.



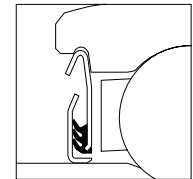
Type E Molded Lip Seal

The type E seal has external trash guard for maximum lip protection and a full land riding lip for grease retention and dirt exclusion.



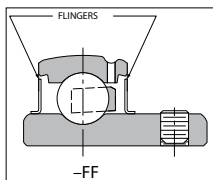
Type E3 Triple Lip Seal

This seal is a tight high torque seal for ultimate dirt exclusion. It has an external trash guard to protect the precision die molded lip members.



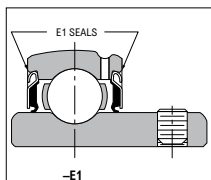
Type N3 Triple Lip Contact Seal for Narrow Series Ball Bearings

The narrow triple lip seal is a face riding seal designed for a compact envelope size and offers superior contamination protection.



Type FF Flingers

This seal is for "free running" applications and/or temperatures over 400°F where contamination is not severe.



Type E1 High Temperature Ball Bearing Inserts and Housed Units

Mounted ball bearings and inserts are available for high temperature applications up to 400°F. The "E1" package provides the following features.

1. Extra Internal Diameters Clearance (DC), based on a 200°F temperature differential between inner and outer races, compensates for the inner race expanding at a faster rate than the outer race and will avoid preloading of the bearings.
2. Steel Retainer (Cage) – 2 piece riveted construction.
3. High Temperature Lubrication – prelubricated with a No.2 consistency bentone-base grease with petroleum oil. When operated near upper limit, (400°F to 450°F) daily relubrication is required.
4. Viton Seals withstand temperatures to 400°F.

200 Series Nomenclature

Symbol	Description	PL	3	U	2	E	20	H	C	K75
F	Flanged unit, 3 and 4-bolt									
FB	Flanged bracket unit, 3-bolt									
FF	Flanged screw conveyor unit, 4-bolt									
FC	Flanged cartridge unit, 4-bolt round									
FX	Flanged unit, 2-bolt									
HM	Hanger screw conveyor unit									
P	Pillow block, standard backing									
PL	Pillow block, low backing									
PT	Pillow block, tapped base									
T	Take-up, standard slot									
TH	Take-up, wide slot									
TDS	Conveyor take-up, hinged top, welded steel frame									
3	Integral bearing seals									
CL	Wide inner ring, Centrik-Lok collar									
S	Narrow inner ring, spring locking									
U	Wide inner ring, spring locking									
Y	Wide inner ring, eccentric cam locking collar									
W	Narrow inner ring, eccentric cam locking collar									
None	Non-relubricatable bearing									
G	Relubricatable bearing									
2	200 Series ball bearing designation									
B	Inner ring bore equal to a bore of preceding smaller bearing group									
E	Inner ring bore equal to a bore of following larger bearing group									
20	Shaft size in sixteenths of an inch									
M30	Shaft size, metric series in millimeters									
J	Steel retainers									
E1	High Temp 400 Deg F, Viton seals, increased clearance, steel retainer, high temp., Lube									
E3	Triple lip seals									
E	Molded single lip seals									
FF	Fingers only, 50% grease fill									
HFF	Fingers only, 10% oil fill									
MHFF	Fingers only, 10% grease fill									
H	Floating labyrinth seals									
N	Single lip seals									
N3	Narrow triple lip seals									
C	Closed end unit									
K75	Nickel plated housing									
18	Take-up adjustment, inches									
K4	100% Grease Filled									
K5	No Grease - Preservative only									
K6	100% Grease filled and housing plugged									
K13	Housing Plugged									
K75	Nickel Plated Housing									
K82	Black oxide coated rings									
18A	SHC100 Grease									
18W	SHC460 Grease									
18Y	SHC220 Grease									
4C	molykote 44 Grease									
99A	Food Grade Grease									
2, 3, 4, 5	Clearances other than standard									

200 Series Collar Unmounted Ball Bearings Nomenclature

Symbol	Description	U	B	G	2	E	20	H	L
CL	Wide Inner Ring, Centrik-Lok Collar								
ER	Adapter series, cylindrical O.D. with lube groove and O.D. locating ring								
MSLN	Ball bearing, cylindrical O.D., narrow inner ring, spring locking								
S	Extended inner ring, spring locking								
U	Wide inner ring, spring locking								
Y	Wide inner ring, eccentric cam locking collar								
W	Extended inner ring, eccentric cam locking collar								
None	O.D. of outer ring is spherical								
B	O.D. of outer ring is cylindrical								
None	Non-relubricatable bearing								
G	Relubricatable bearing								
2	200 Series ball bearing designation								
B	Inner ring bore equal to a bore of preceding smaller bearing group								
E	Inner ring bore equal to a bore of following larger bearing group								
20	Shaft size in sixteenths of an inch								
M30	Shaft size, metric series in millimeters								
E3	Triple lip seals								
E	Molded single lip seals								
H	Floating labyrinth seals								
N	Single lip seals								
N3	Narrow triple lip seals								
L1	Bearing without collar								
L	Bearing with collar & setscrews								

Seal Selection Guide

The choice of the seal for a mounted bearing is often the key to successful bearing operation and long service life. The Seal Selection Guide incorporates years of experience against the wide variety of conditions encountered on actual applications. Following the simple selection procedure outlined can translate the benefits of that broad experience to the individual applications through the choice of the most effective seal.

How to Use the Selection Guide

- The appropriate seal for a given application may be selected by comparing the job application conditions against those listed in the Seal Rating Guide on this page.
- When more than one application condition is present, the most appropriate seal may be selected based on prime sealing for the most detrimental condition, and secondary consideration given to the other application conditions.
- If further evaluation of the seals must be made, then refer to the General Design and Characteristic Guide
- Addition of auxiliary caps will enhance the primary seal performance shown in the chart.

Considerations in Addition to Seal Selection

Under certain adverse conditions, other changes should be considered to achieve maximum bearing life:

- High temperature lubricants where housing or ambient temperatures exceed +200°F.
- Special greases for additional bearing protection where excessive water, solvents or chemicals are present.
- EP (extreme pressure) greases where high load, high shock load, or continuous vibration is present.
- Readjustment of internal operating clearance of bearing where extreme high or low temperature conditions exist.

Seal Rating Guide

Application Conditions	Seal Ratings			
	Clearance H	Single Lip E	Single Lip N	Triple Lip E3
Shaft Position				
Horizontal Shaft	4	4	4	4
Vertical Shaft	1	4	4	4
Operating Temperature				
Below -40°F	4	1	1	1
-40°F to 0°F	4	3	3	3
0°F to +250°F	4	4	4	4
+250°F to +400°F	4	0	0	0
Over 400°F	4	0	0	0
Speed				
Equal to / Less than limit below	4	4	4	4
More than limit below	4	1	1	1
Vibration/Shock				
Occasional - Mild	3	4	4	4
Occasional - Severe	2	4	4	4
Continuous - Mild	1	3	3	3
Continuous - Severe	0	3	3	3
Abrasive Material				
Coarse - Over #10 Mesh	4	4	4	4
Small - #10 to #50 Mesh	3	4	4	4
Fine - #50 to #200 Mesh	1	3	3	4
Very fine - Under #200 Mesh	0	3	3	4
"Caking or buildup" (cement, etc.)	2	3	3	4
Moisture				
Splash	2	4	4	4
Rain	2	4	4	4
Saturated Atmosphere	1	4	4	4
Flooding	0	3	3	4
Pressure Wash	0	3	3	4
Fibrous Material				
Short Fibers (lint, etc.)	1	3	3	4
Long Fibers (grass, etc.)	1	3	3	4
Chemical				
Acid Fumes and Liquids	1	1	1	1
Alkaline Fumes and Liquids	1	1	1	1

Rating Code

- 4 - Excellent - Best seal for conditions listed.
 3 - Good - Sealability is above average.
 2 - Fair - Seal performs under intermittent conditions.
 1 - Limited - Actual conditions must be known to evaluate sealability. Check "General Characteristic Guide" for construction as well as benefits and limitations for further evaluation.
 0 - Not acceptable - Will not effectively perform seal functions. Contact Rexnord for special assistance in the realm of materials and designs.

Seal Speed Limit Table*

Size Code	203	204	205	206	207	208	209	210	211	212	213	215	217	220	
Bearing Series	CL		212	214 215 216	218 219 2E20	220 222 223	224	226 227 228	230 231 2E32	232 235 2E36	236 238 239	240 243	244 247 2E48	255 2E56	263 2E64
		Y	2B08 210 211	212	214 215 216	218 219 2E20	220 222 223	224	226 227 228	231 232 2E32	236 238 239				
	U	2B08 210 211	212	214 215 216	218 219 2E20	220 222 223	224	226 227 228	231 232 2E32	236 238 239	240 243	244 247 2E48	255 2E56	263 2E64	
	W	2B08 210	212	214 215 216	218 219 2E20	220 222 223	224	226 227 228	231 2E32						
	S		212	214 215 216	218 219 2E20	220 222 223	224	226 227 228	231						
(RPM)	Flingers	15800	13400	11400	9800	8400	7500	6800	6400	5800	5300	N/A	4400	N/A	N/A
	H	12000	10000	9600	8000	6850	6000	5330	4800	4360	4000	N/A	N/A	N/A	N/A
	E	9000	7500	6800	5600	4800	4500	4000	3600	N/A	N/A	N/A	N/A	N/A	N/A
	N	12000	10000	9600	8000	6850	6000	5330	4800	4360	4000	3850	3300	2950	2500
E3	N/A	N/A	1000	N/A	700	650	600	550	500	450	400	350	300	N/A	
Size Code	203	204	205	206	207	208	209	210	211	212	213	215	217	220	

Refer to Seal Rating Guide shown above for speeds in excess of those listed in this table.

* Actual bearing speed limits are largely based upon the applied load and can be found on the Load Rating Table.

Seal Availability by Size Code and Inner Race Style

	H	N	E	E3	MHFF	HFF	FF
203	CL	CL	CL		CL	CL	CL
	U	U	U		U	U	U
	Y	S	S		S	S	S
204	CL	CL	CL		CL	CL	CL
	U	U	U		U	U	U
	Y	S	S		S	S	S
205	CL	CL	CL	CL	CL	CL	CL
	U	U	U	U	U	U	U
	Y	S	S	Y	S	S	S
206	CL	CL	CL	CL	CL	CL	CL
	U	U	U	U	U	U	U
	Y	S	S	Y	S	S	S
207	CL	CL	CL	CL	CL	CL	CL
	U	U	U	U	U	U	U
	Y	S	S	Y	S	S	S
208	CL	CL	CL	CL	CL	CL	CL
	U	U	U	U	U	U	U
	Y	S	S	Y	S	S	S
209	CL	CL	CL	CL	CL	CL	CL
	U	U	U	U	U	U	U
	Y	S	S	Y	S	S	S
210	CL	CL	CL	CL	CL	CL	CL
	U	U	U	U	U	U	U
	Y	S	S	Y	S	S	S
211	CL	CL	CL	CL	CL	CL	CL
	U	U	U	U	U	U	U
	Y	S	S	Y	S	S	S
212	CL	CL	CL	CL	CL	CL	CL
	U	U	U	U	U	U	U
	Y	S	S	Y	S	S	S
213		CL	CL	CL	CL	CL	CL
		U	U	U	U	U	U
		S	S	S	S	S	S
215		CL	CL	CL	CL	CL	CL
		U	U	U	U	U	U
		S	S	S	S	S	S
217		CL	CL	CL	CL	CL	CL
		U	U	U	U	U	U
220		CL	CL	CL	CL	CL	CL
		U	U	U	U	U	U

200 Series Standard & Intermediate Duty End Cap Options

Size Code	Inner Ring Style	Pillow Blocks			Flange Blocks				Take-up Blocks	
		P3	PL3	PT3	FX3	F3	FB3	FC3	T3	TH3
203	CL	CL2116	CL2116		CL2116	CL2116				
	Y	CL2116	CL2116		CL2116	CL2116				
	U	CL2116	CL2116		CL2116	CL2116				
	W	CL2116	CL2116		CL2116	CL2116				
204	CL	CL2126	CL2126	CL2126	CL2126	CL2126	CL2126			CL2126
	Y	Y2126N	Y2126N	CL2126	Y2126N	Y2126N	Y2126N		Y2126	Y2126N
	U	Y2126N	Y2126N	CL2126	Y2126N	Y2126N	Y2126N		Y2126	Y2126N
	W	Y2126N	Y2126N	CL2126	Y2126N	Y2126N	Y2126N			Y2126N
205	CL	CL2166	CL2166	CL2166	CL2166	CL2166	CL2166	CL2166		CL2166
	Y	Y2166N	Y2166N	CL2166	Y2166N	Y2166N	Y2166N	Y2166N	Y2166	Y2166N
	U	Y2166N	Y2166N	CL2166	Y2166N	Y2166N	Y2166N	Y2166N	Y2166	Y2166N
	W	Y2166N	Y2166N	CL2166	Y2166N	Y2166N	Y2166N	Y2166N		Y2166N
206	CL	CL2196	CL2196	CL2196	CL2196	CL2196	CL2196	CL2196		CL2196
	Y	Y2196N	Y2196N	CL2196	Y2196N	Y2196N	Y2196N	Y2196N	Y2196	Y2196N
	U	Y2196N	Y2196N	CL2196	Y2196N	Y2196N	Y2196N	Y2196N	Y2196	Y2196N
	W	Y2196N	Y2196N	CL2196	Y2196N	Y2196N	Y2196N	Y2196N		Y2196N
207	CL	CL2236	CL2236	CL2236	CL2236	CL2236	CL2236	CL2236		CL2236
	Y	Y2236N	Y2236N	CL2236	Y2236N	Y2236N	Y2236N	Y2236N	Y2236	Y2236N
	U	Y2236N	Y2236N	CL2236	Y2236N	Y2236N	Y2236N	Y2236N	Y2236	Y2236N
	W	Y2236N	Y2236N	CL2236	Y2236N	Y2236N	Y2236N	Y2236N		Y2236N
208	CL	CL2256	CL2256	CL2256	CL2256	CL2256		CL2256		CL2256
	Y	Y2256N	Y2256N	CL2256	Y2256N	Y2256N		Y2256N	Y2256	Y2256N
	U	Y2256N	Y2256N	CL2256	Y2256N	Y2256N		Y2256N	Y2256	Y2256N
	W	Y2256N	Y2256N	CL2256	Y2256N	Y2256N		Y2256N		Y2256N
209	CL	CL2286	CL2286	CL2286	CL2286	CL2286		CL2286		CL2286
	Y	Y2286N	Y2286N	CL2286	Y2286N	Y2286N		Y2286N	Y2286	Y2286N
	U	Y2286N	Y2286N	CL2286	Y2286N	Y2286N		Y2286N	Y2286	Y2286N
	W	Y2286N	Y2286N	CL2286	Y2286N	Y2286N		Y2286N		Y2286N
210	CL	CL2316	CL2316	CL2316	CL2316	CL2316		CL2316		CL2316
	Y	Y2316N	Y2316N	CL2316	Y2316N	Y2316N		Y2316N	Y2316	Y2316N
	U	Y2316N	Y2316N	CL2316	Y2316N	Y2316N		Y2316N	Y2316	Y2316N
	W	Y2316N	Y2316N	CL2316	Y2316N	Y2316N		Y2316N		Y2316N
211	CL	CL2356	CL2356		CL2356	CL2356		CL2356		CL2356
	Y	CL2356	CL2356		Y2356	Y2356		Y2356	Y2356	Y2356
	U	CL2356	CL2356		Y2356	Y2356		Y2356	Y2356	Y2356
	S	CL2356	CL2356							
212	CL	CL2396	CL2396			CL2396		CL2396		CL2396
	Y	CL2396	CL2396			Y2396		Y2396		Y2396
	U	CL2396	CL2396			Y2396		Y2396		Y2396
	S	CL2396	CL2396							
213	CL									
	U	U2436C				U2436C		U2436C		
215	CL	CL2486				CL2486		CL2486		
	U	U2476C				U2476C		U2476C		
	S									
217	CL									
	U	U2556C				U2556C		U2556C		
220	CL									
	U	U2636C						U2636C		

No offering

Requires non-standard housing

Caps ending in "6N" are polypropylene material, all others are steel.

Caps not available in housing styles not listed.

200 Series Ball Bearings Selection Guide

To select a bearing, determine the applied radial load, the applied thrust load, the desired Rating Life, and applicable operating conditions. The procedure shown here will aid in selecting a bearing to meet an L_{10} design life. The formulas for calculating life expectancy should be used to determine the Rating Life L_{10} for the bearing selected.

The selection procedures and rating formulas shown here are in agreement with The American Bearing Manufacturers Association Standards and ANSI/ABMA Standards STD 9-1990. Ratings are based on fatigue life. The Rating Life or fatigue life at 90% reliability is the usual basis for bearing selection.

Steps for Selection

Step 1

Determine an appropriate L_{10} design life.

Type of service	Operating time, hours per year	Design life, years	L_{10} design life, hours
Light seasonal usage	500 to 750	3-5	3,000
Heavy seasonal usage	1,400 to 1,600	4-6	8,000
Industrial—8 hour shift	2,000	10	20,000

Step 2

Determine a required $\left(\frac{C}{P}\right)$ from Table 1.

Step 3

Calculate the required C and select a ball bearing.

a For radial load only:

$$P = F_r$$

$$\text{required } C = \left(\frac{C}{P}\right)P \text{ using } \left(\frac{C}{P}\right) \text{ from Step 2}$$

Select a ball bearing from Table 3 with a basic load rating C equal to or greater than the required C.

b For combined radial and thrust loads when $\frac{F_a}{F_r}$ is 0.19 or less:

$$P = F_r$$

$$\text{required } C = \left(\frac{C}{P}\right)P \text{ using } \left(\frac{C}{P}\right) \text{ from Step 2}$$

Select a ball bearing from Table 3 with a basic load rating C equal to or greater than the required C.

Series C200, U200, Y200, and hex, square and round bore bearings have wide inner rings for load support; however, the S200 and W200 series are extended on one side only for compactness and low cost. In combination with its companion line of economically designed housings, this series is applicable to light or moderate duty requirements. Where non-relubricatable bearings are used, bearing life is often limited by grease life, which is in turn affected by operating conditions. Also, economically designed housings must be applied within proportionate load limits. To assure a satisfactory bearing application, fitting practice, mounting, lubrication, sealing, static rating, housing strength, operating conditions and maintenance must be considered.

Step 3 (continued)

c For combined radial and thrust loads when $\frac{F_a}{F_r}$ is greater than 0.19, use the following trial method:

$$\text{Maximum } P = .56F_r + 2.30F_a$$

$$\text{Maximum required } C = \left(\frac{C}{P}\right)P \text{ using } \left(\frac{C}{P}\right) \text{ from Step 2}$$

Select a trial ball bearing with a basic load rating C from Table 3 approximately equal to the maximum required C.

$$\text{With this trial bearing calculate: } \frac{F_a}{Nd^2}$$

Determine X and Y from Table 2.

Calculate P for the trial bearing.

$$P = XF_r + YF_a$$

$$\text{required } C = \left(\frac{C}{P}\right)P \text{ for the trial bearing using } \left(\frac{C}{P}\right) \text{ from Step 2}$$

Consult Table 3, basic load rating. If a smaller bearing meets or nearly meets the required C, its life expectancy can be calculated. Note: If the load P is greater than .25C for series C200, U200, Y200, hex, square, and round bore bearings or greater than .15C for series S200 and W200, consult Rexnord Bearing Products.

Selection

Symbols for formulas:

- C = basic load rating, pounds (or newtons) n = speed, revolutions per minute
 C₀ = static load rating, pounds (or newtons) P = equivalent radial load, pounds (or newtons)
 e = a reference value X = radial factor
 F_a = thrust load, pounds (or newtons) Y = thrust factor
 F_r = radial load, pounds (or newtons)
 L₁₀ = rating life, hours

Table 1 • Relation of L₁₀ life and speed to $\left(\frac{C}{P}\right)$

Bearing life, hours L ₁₀	$\left(\frac{C}{P}\right)$ ratio									
	Speed, n									
	50	100	200	300	400	500	600	700	800	
3000	2.08	2.62	3.30	3.77	4.15	4.47	4.75	5.01	5.23	
4000	2.29	2.88	3.63	4.15	4.57	4.92	5.23	5.51	5.76	
5000	2.46	3.10	3.91	4.47	4.92	5.30	5.64	5.93	6.20	
6000	2.62	3.30	4.15	4.75	5.23	5.64	5.99	6.30	6.59	
8000	2.88	3.63	4.57	5.23	5.76	6.20	6.59	6.94	7.25	
10000	3.10	3.91	4.92	5.64	6.20	6.68	7.10	7.47	7.81	
12000	3.30	4.15	5.23	5.99	6.59	7.10	7.54	7.94	8.30	
14000	3.47	4.37	5.51	6.30	6.94	7.47	7.94	8.36	8.74	
16000	3.63	4.57	5.76	6.59	7.25	7.81	8.30	8.74	9.14	
18000	3.77	4.75	5.99	6.86	7.54	8.13	8.63	9.09	9.50	
20000	3.91	4.92	6.20	7.10	7.81	8.42	8.94	9.41	9.84	
25000	4.21	5.30	6.68	7.65	8.42	9.07	9.63	10.1	10.6	
30000	4.47	5.64	7.10	8.13	8.94	9.63	10.2	10.8	11.3	
35000	4.71	5.93	7.47	8.55	9.41	10.1	10.8	11.3	11.9	
40000	4.92	6.20	7.81	8.94	9.84	10.6	11.3	11.9	12.4	
45000	5.12	6.45	8.13	9.30	10.2	11.0	11.7	12.3	12.9	
50000	5.30	6.68	8.42	9.63	10.6	11.4	12.1	12.8	13.4	
60000	5.64	7.10	8.94	10.2	11.3	12.1	12.9	13.6	14.2	
70000	5.93	7.47	9.41	10.8	11.9	12.8	13.6	14.3	14.9	
80000	6.20	7.81	9.84	11.3	12.4	13.4	14.2	14.9	15.6	
90000	6.45	8.13	10.2	11.7	12.9	13.9	14.8	15.5	16.2	
100000	6.68	8.42	10.6	12.1	13.4	14.4	15.3	16.1	16.8	
150000	7.65	9.63	12.1	13.9	15.3	16.5	17.5	18.4	19.3	
200000	8.42	10.6	13.4	15.3	16.8	18.1	19.3	20.3	21.2	
	Speed, n									
	900	1000	1200	1500	1800	2400	3600	6000	10000	
3000	5.44	5.64	5.99	6.45	6.86	7.54	8.63	10.2	12.1	
4000	5.99	6.20	6.59	7.10	7.54	8.30	9.50	11.3	13.4	
5000	6.45	6.68	7.10	7.65	8.13	8.94	10.2	12.1	14.4	
6000	6.86	7.10	7.54	8.13	8.63	9.50	10.9	12.9	15.3	
8000	7.54	7.81	8.30	8.94	9.50	10.5	12.0	14.2	16.8	
10000	8.13	8.42	8.94	9.63	10.2	11.3	12.9	15.3	18.1	
12000	8.63	8.94	9.50	10.2	10.9	12.0	13.7	16.2	19.3	
14000	9.09	9.41	10.0	10.8	11.4	12.6	14.4	17.1	20.3	
16000	9.50	9.84	10.5	11.3	12.0	13.2	15.1	17.9	21.2	
18000	9.88	10.2	10.9	11.7	12.4	13.7	15.7	18.6	22.0	
20000	10.2	10.6	11.3	12.1	12.9	14.2	16.2	19.3	22.8	
25000	11.0	11.4	12.1	13.1	13.9	15.3	17.5	20.7	24.6	
30000	11.7	12.1	12.9	13.9	14.8	16.2	18.6	22.0	26.1	
35000	12.3	12.8	13.6	14.6	15.5	17.1	19.6	23.2	27.5	
40000	12.9	13.4	14.2	15.3	16.2	17.9	20.5	24.3	28.7	
45000	13.4	13.9	14.8	15.9	16.9	18.6	21.3	25.2	29.9	
50000	13.9	14.4	15.3	16.5	17.5	19.3	22.0	26.1	31.0	
60000	14.8	15.3	16.2	17.5	18.6	20.5	23.4	27.8	32.9	
70000	15.5	16.1	17.1	18.4	19.6	21.5	24.6	29.2	34.6	
80000	16.2	16.8	17.9	19.3	20.5	22.5	25.8	30.5	36.2	
90000	16.9	17.5	18.6	20.0	21.3	23.4	26.8	31.8	37.7	
100000	17.5	18.1	19.3	20.7	22.0	24.3	27.8	32.9	39.0	
150000	20.0	20.7	22.0	23.7	25.2	27.8	31.8	37.7	44.6	
200000	22.0	22.8	24.3	26.1	27.8	30.5	35.0	41.4	49.1	

Basic formula

$$\left(\frac{C}{P}\right) = \left(\frac{L_{10} \times n \times 60}{1,000,000}\right)^{1/3}$$

$$L_{10} = \frac{\left(\frac{C}{P}\right)^3 \times 1,000,000}{n \times 60}$$

Life Expectancy

To calculate the Rating Life L₁₀ of any selected or trial bearing:

Step 1 Determine the equivalent radial load P.

- a For radial load only:
P = F_r
- b For combined radial and thrust load:
P = X F_r + Y F_a using X and Y from Table 2 below.

Step 2 Calculate the ratio of basic load rating C to the equivalent radial load.

$$\left(\frac{C}{P}\right)$$

Step 3 Approximate the bearing life from Table 1.

Table 2 • X and Y factors for ball bearings

F _a Nd ²	e	F _a F _r ≤ e		F _a F _r > e	
		X	Y	X	Y
25	.19	1.0	0	.56	2.30
37.5	.21	1.0	0	.56	2.15
50	.22	1.0	0	.56	1.99
75	.24	1.0	0	.56	1.85
100	.26	1.0	0	.56	1.71
125	.27	1.0	0	.56	1.63
150	.28	1.0	0	.56	1.56
200	.30	1.0	0	.56	1.45
300	.34	1.0	0	.56	1.31
500	.38	1.0	0	.56	1.15
750	.42	1.0	0	.56	1.04
1000	.44	1.0	0	.56	1.00

For values between those in the table linear interpolation can be used.

Life Adjustment

The Rating Life, L₁₀, may be modified for some applications in accordance with the formula

$$L'_n = a_1 a_2 a_3 L_{10}$$

where L'_n = Adjusted life for (100-n) % reliability,

a₁ = Life adjustment factor for reliability

a₂ = Life adjustment factor for material and processing

a₃ = Life adjustment factor for operating conditions.

For most normal applications, all factors will be taken as 1, and the Rating Life used as the selection basis or life estimate. In addition, as long as standard catalog bearings are used, a₂ will be normally set equal to one. The factor a₃ covers such things as lubrication, misalignment, and temperature. Some conditions that could yield a₃ significantly different than unity include speeds less than 20000 DN or greater than 200000 DN, temperatures below -40°F (-40°C) or above 275°F (135°C). For other possible conditions, as well as additional information on life adjustment factors, consult Rexnord Bearing Products.

Table 3 • Load Ratings, Speed Limits and Ball Data

Size Code	C Basic load rating		Co Static load rating		Approximate speed limit RPM*				d Ball diameter	N Number of balls	Nd ²
	pounds	newtons	pounds	newtons	N & H Seals	E Seals‡	E3 Seals	Flingers	inches		
203	2360	10500	1110	4490	12000	9000		15800	19/64	7	0.617
204	2870	12800	1480	6590	10000	7500		13400	5/16	8	0.781
205	3150	14000	1760	7830	9600	6800	1000	11400	5/16	9	0.879
206	4390	19500	2530	11300	8000	5600	870	9800	3/8	9	1.27
207	5810	25800	3440	15300	6850	4800	700	8400	7/16	9	1.72
208	7330	32600	4460	19900	6000	4500	650	7500	1/2	9	2.25
209	7370	32800	4590	20400	5330	4000	600	6800	1/2	9	2.25
210	7920	35200	5220	23200	4800	3600	550	6400	1/2	10	2.50
211	9800	43600	6570	29200	4360	3200	500	5800	9/16	10	3.16
212	11840	52700	8080	36000	4000	3000	450	5300	5/8	10	3.91
213	12920	57500	9010	40100	3850	2850	400		21/32	10	4.31
215	15080	67000	11100	49200	3300	2700	350	4400	11/16	11	5.20
217	18850	83850	14300	63600	2950	2550	300	4050	25/32	11	6.71
220	27560	122550	20900	92900	2500	2250		3600	1	10	10.00

If the load P is greater than 15% of the C rating for S200 and W200 or 25% of the C rating for all others, consult Rexnord Bearing Division.

For U200, Y200, S200 and W200 Series reduce C Basic Load Rating by 23%

For CL200 Series reduce C Basic Load Rating by 15%.

* Based on grease lubrication and moderate load.

‡ E seal operation at higher speeds up to H seal speed limit is allowable providing the lip seal friction does not result in operating temperatures over 225°F (107°C).

Table 4 • Radial load ratings in pounds at various RPM for appropriate L₁₀ life hours

Bearing Size Number		Radial Load Ratings, Pounds																			
CL200 Y200 U200 W200 S200	Size Code	L ₁₀ Minimum life, hours	Speed, RPM																		
			50	100	200	300	400	500	600	700	800	900	1000	1200	1500	1800	2000	2500	3000	3500	
2B08	203	8000	820	651	517	451	410	381	358	340	326	313	302	284	264	248	240	223	210	199	
210		20000	604	480	381	333	302	281	264	251	240	231	223	210	195	183	177	164	154	147	
211		40000	480	381	302	264	240	223	210	199	190	183	177	166	154	145	140	130	123	116	
2M17		100000	353	281	223	195	177	164	154	147	140	135	130	123	114	107	103	96	90	86	
212	204	8000	996	791	627	548	498	462	435	413	395	380	367	345	321	302	291	270	254	242	
2M20		20000	734	582	462	404	367	341	321	304	291	280	270	254	236	222	215	199	187	178	
		40000	582	462	367	321	291	270	254	242	231	222	215	202	187	176	170	158	149	141	
		100000	429	341	270	236	215	199	187	178	170	164	158	149	138	130	125	116	110	104	
214	205	8000	1095	869	690	603	548	508	478	454	435	418	403	380	352	332	320	297	280	266	
215		20000	807	640	508	444	403	375	352	335	320	308	297	280	260	244	236	219	206	196	
216		40000	640	508	403	352	320	297	280	266	254	244	236	222	206	194	187	174	164	155	
2M25		100000	472	375	297	260	236	219	206	196	187	180	174	164	152	143	138	128	121	115	
218	206	8000	1523	1209	960	838	762	707	665	632	605	581	561	528	490	461	445	413	389	370	
219		20000	1122	891	707	618	561	521	490	466	445	428	413	389	361	340	328	305	287	272	
2E20		40000	891	707	561	490	445	413	389	370	354	340	328	309	287	270	260	242	228	216	
2M30		100000	656	521	413	361	328	305	287	272	260	250	242	228	211	199	192	178	168	159	
220	207	8000	2015	1599	1269	1109	1007	935	880	836	799	769	742	698	648	610	589	547	515	489	
222		20000	1484	1178	935	817	742	689	648	616	589	566	547	515	478	450	434	403	379	360	
223		40000	1178	935	742	648	589	547	515	489	468	450	434	408	379	357	344	320	301	286	
2M35		100000	868	689	547	478	434	403	379	360	344	331	320	301	279	263	254	236	222	211	
224	208	8000	2542	2017	1601	1399	1271	1180	1110	1055	1009	970	936	881	818	770	743	690	649	617	
2M40		20000	1873	1486	1180	1031	936	869	818	777	743	715	690	649	603	567	548	508	478	454	
		40000	1486	1180	936	818	743	690	649	617	590	567	548	515	478	450	435	403	380	361	
		100000	1095	869	690	603	548	508	478	454	435	418	403	380	352	332	320	297	280	266	
226	209	8000	2555	2028	1610	1406	1278	1186	1116	1060	1014	975	941	886	822	774	747	694	653	620	
227		20000	1883	1494	1186	1036	941	874	822	781	747	718	694	653	606	570	551	511	481	457	
228		40000	1494	1186	941	822	747	694	653	620	593	570	551	518	481	453	437	406	382	363	
2M45		100000	1101	874	694	606	551	511	481	457	437	420	406	382	354	333	322	299	281	267	
231	210	8000	2745	2178	1729	1510	1372	1274	1199	1139	1089	1047	1011	952	883	831	803	745	701	666	
2E32		20000	2022	1605	1274	1113	1011	939	883	839	803	772	745	701	651	612	591	549	517	491	
2M50		40000	1605	1274	1011	883	803	745	701	666	637	612	591	556	517	486	469	436	410	389	
		100000	1183	939	745	651	591	549	517	491	469	451	436	410	381	358	346	321	302	287	
232	211	8000	3398	2697	2141	1870	1699	1577	1484	1410	1349	1297	1252	1178	1094	1029	994	922	868	825	
235		20000	2504	1987	1577	1378	1252	1162	1094	1039	994	955	922	868	806	758	732	680	640	608	
2M55		40000	1987	1577	1252	1094	994	922	868	825	789	758	732	689	640	602	581	539	508	482	
			100000	1464	1162	922	806	732	680	640	608	581	559	539	508	471	443	428	397	374	355
E3 SEALS																					
236	212	8000	4106	3259	2586	2259	2053	1906	1793	1704	1629	1567	1513	1423	1321	1243	1201	1114	1049	996	
238		20000	3025	2401	1906	1665	1513	1404	1321	1255	1201	1154	1114	1049	974	916	885	821	773	734	
239		40000	2401	1906	1513	1321	1201	1114	1049	996	953	916	885	832	773	727	702	652	613	583	
2M60		100000	1769	1404	1114	974	885	821	773	734	702	675	652	613	569	536	517	480	452	429	
N & E SEALS																					
240	213	8000	4480	3556	2822	2465	2240	2079	1957	1859	1778	1709	1650	1553	1442	1357	1310	1216	1144	1087	
243		20000	3301	2620	2079	1816	1650	1532	1442	1370	1310	1259	1216	1144	1062	1000	965	896	843	801	
2M65		40000	2620	2079	1650	1442	1310	1216	1144	1087	1040	1000	965	908	843	793	766	711	669	636	
		100000	1930	1532	1216	1062	965	896	843	801	766	737	711	669	621	585	564	524	493	468	
244	215	8000	5228	4149	3293	2877	2614	2427	2284	2169	2075	1995	1926	1812	1683	1583	1529	1419	1335		
247		20000	3852	3057	2427	2120	1926	1788	1683	1598	1529	1470	1419	1335	1240	1167	1126	1046	984		
2E48		40000	3057	2427	1926	1683	1529	1419	1335	1269	1213	1167	1126	1060	984	926	894	830	781		
2M75		100000	2253	1788	1419	1240	1126	1046	984	935	894	860	830	781	725	682	659	611	575		
255	217	8000	6535	5187	4117	3596	3267	3033	2854	2711	2593	2494	2407	2266	2103	1979	1911	1774			
2E56		20000	4815	3822	3033	2650	2407	2235	2103	1998	1911	1837	1774	1669	1550	1458	1408	1307			
2M85		40000	3822	3033	2407	2103	1911	1774	1669	1586	1517	1458	1408	1325	1230	1157	1117	1037			
			100000	2816	2235	1774	1550	1408	1307	1230	1168	1117	1074	1037	976	906	853	823	764		
263	220	8000	9555	7583	6019	5258	4777	4435	4173	3964	3792	3646	3520	3312	3075	2894	2794				
2E64		20000	7040	5588	4435	3874	3520	3268	3075	2921	2794	2686	2593	2441	2266	2132	2058				
2M100		40000	5588	4435	3520	3075	2794	2593	2441	2318	2217	2132	2058	1937	1798	1692	1634				
			100000	4117	3268	2593	2266	2058	1911	1798	1708	1634	1571	1517	1427	1325	1247	1204			

If the load P is greater than 15% of the C rating for S200 and W200 or 25% of the C rating for all others, consult Rexnord Bearing Division.

For U200, Y200, S200 and W200 Series reduce C Basic Load Rating by 23%.

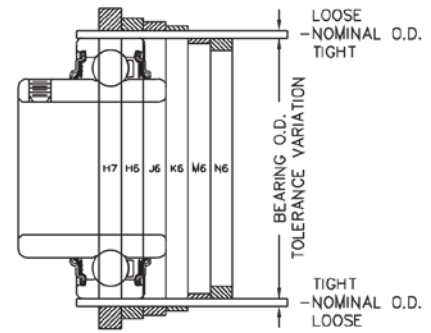
For CL200 Series reduce C Basic Load Rating by 15%.

Operation in the high speed shaded areas requires frequent lubrication.

Housing Bearing Seat Diameters For Cylindrical O.D. Ball Bearings

Class of fit selection

Housing Construction	Operating Condition		Class of fit*	Remarks
Housing not split radially	Housing rotating in relation to direction of load	Normal and heavy loads	N6	Outer ring not axially displaceable
		Light loads	M6	
	Direction of load indeterminate	Heavy shock loads	K6	Outer ring, as a rule, not axially displaceable
	Normal and heavy loads where outer ring does not have to be axially displaceable			
Housing split or not split radially	Housing stationary in relation to direction of loads	Normal and light loads where displaceability of outer ring is desirable	J6	Outer ring, as a rule, axially displaceable
		Shock loads temporary complete unloading		
	All loads	Housing not split radially	H6	Outer ring is easily displaceable axially
		Housing split radially	H7	



*For cast iron or steel housings. For housings of light metal, select tolerances which give slightly tighter fits than those shown.

Class of fit and housing bores (inches/μm)

Basic Size				Bearing/housing diameter fits ▲												
W200, Y200, U200, C200	R200, S200, K200,	Nominal Bearing O.D. and Housing Bore		Bearing O.D. Tolerance △	H7		H6		J6		K6		M6		N6	
		mm	inches		Tolerance		Tolerance		Tolerance		Tolerance		Tolerance			
		Fit	Housing Bore		Fit	Housing Bore	Fit	Housing Bore	Fit	Housing Bore	Fit	Housing Bore	Fit	Housing Bore		
2M17	211	203	40 1.5748	+0.000	.0000	-.0000	.00000	-.0000	.0002T	-.0002	.0005T	-.0005	.0008T	-.0008	.0011T	-.0011
					-.0005	.0015L	+0.0010	.0011L	+0.0006	.0009L	+0.0004	.0006L	+0.0001	.0003L	-.0002	.0000
2M20	212	204	47 1.8504	+0	0	-0	0	-0	5T	-5	13T	-13	20T	-20	28T	-28
					-13	38L	+25	28L	+15	23L	+10	15L	+2	8L	-5	0
2M25	216	205	52 2.0472	+0.000	.0000	-.0000	.0000	-.0000	.0002T	-.0002	.0006T	-.0006	.0010T	-.0010	.0013T	-.0013
2M30	219	206	62 2.4409	-.0005	.0017L	+0.0012	.0012L	+0.0007	.0010L	+0.0005	.0006L	+0.0001	.0002L	-.0003	.0001T	-.0006
2M35	223	207	72 2.8346	+0	0	-0	0	-0	5T	-5	15T	-15	25T	-25	33T	-43
2M40	225	208	80 3.1496	-13	43L	+30	30L	+17	26L	+13	15L	+2	5L	-8	2T	-15
2M45	228	209	85 3.3465	+0.000	.0000	-.0000	.0000	-.0000	.0002T	-.0002	.0007T	-.0007	.0012T	-.0012	.0016T	-.0016
2M50	231	210	90 3.5433	-.0006	.0020L	+0.0014	.0015L	+0.0009	.0013L	+0.0007	.0008L	+0.0002	.0003L	-.0003	.0001T	-.0007
2M55	235	211	100 3.9370	+0	0	-0	0	-0	5T	-5	18T	-18	30T	-30	40T	-40
2M60	239	212	110 4.3307	-15	50L	+35	38L	+23	33L	+18	20L	+5	8L	-8	3T	-18

Please consult for availability.

1μm = .001 mm

The appropriate housing bore for any class of fit can be easily determined by applying the housing tolerance to the nominal housing bore.

Example, (using basic size 211 and class of fit H7):

	inches		mm	
Nominal housing bore	= 1.5748	1.5748	40.000	40.000
Housing bore tolerance	= -.0000	+.0010	-0.000	+0.025
Resultant housing bore	= 1.5748	1.5758	40.000	40.025

▲ Symbol L indicates a loose or clearance fit. Symbol T indicates a tight or interference fit.

△ The arithmetical mean of the largest and smallest single diameter to be within tolerance shown. Allowable deviations from mean diameter per ANSI/ABMA Standard 20, latest printing.

ER, ER-K Series Housing Fits

Size Code	Outside Diameter of Bearing		Rotating Housing				Stationary Housing			
			Diameter		Resultant Fit		Diameter		Resultant Fit	
	Min	Max	Min	Max	Loose	Tight	Min	Max	Loose	Tight
204	1.8499	1.8540	1.8498	1.8504	0.0005	0.0006	1.8503	1.8509	0.0010	0.0001
205	2.0466	2.0472	2.0466	2.0471	0.0005	0.0006	2.0471	2.0476	0.0010	0.0001
206	2.4403	2.4409	2.4403	2.4408	0.0005	0.0006	2.4408	2.4413	0.0010	0.0001
207	2.8340	2.8346	2.8340	2.8345	0.0005	0.0006	2.8345	2.8350	0.0010	0.0001
208	3.1490	3.1496	3.1490	3.1495	0.0005	0.0006	3.1495	3.1500	0.0010	0.0001
209	3.3457	3.3465	3.3458	3.3464	0.0007	0.0007	3.3464	3.3470	0.0013	0.0001
210	3.5425	3.5433	3.5426	3.5432	0.0007	0.0007	3.5432	3.5438	0.0013	0.0001
211	3.9362	3.9370	3.9363	3.9369	0.0007	0.0007	3.9369	3.9375	0.0013	0.0001
212	4.3299	4.3307	4.3300	4.3306	0.0007	0.0007	4.3306	4.3312	0.0013	0.0001
214	4.9203	4.9213	4.9204	4.9212	0.0009	0.0009	4.9211	4.9219	0.0016	0.0002
215	5.1171	5.1181	5.1172	5.1180	0.0009	0.0009	5.1179	5.1187	0.0016	0.0002
216	5.5108	5.5118	5.5109	5.5117	0.0009	0.0009	5.5116	5.5124	0.0016	0.0002

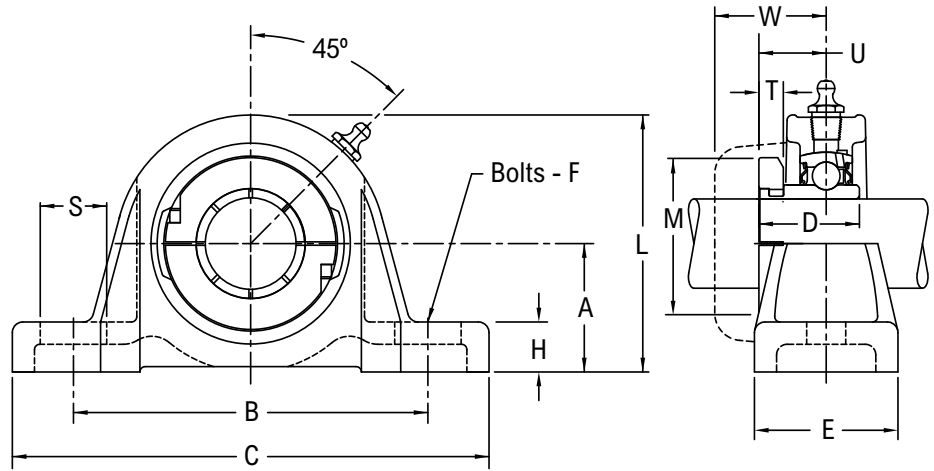
P3CL200N

Interchange: P2BDL, GRP200, NP-T



Product Features

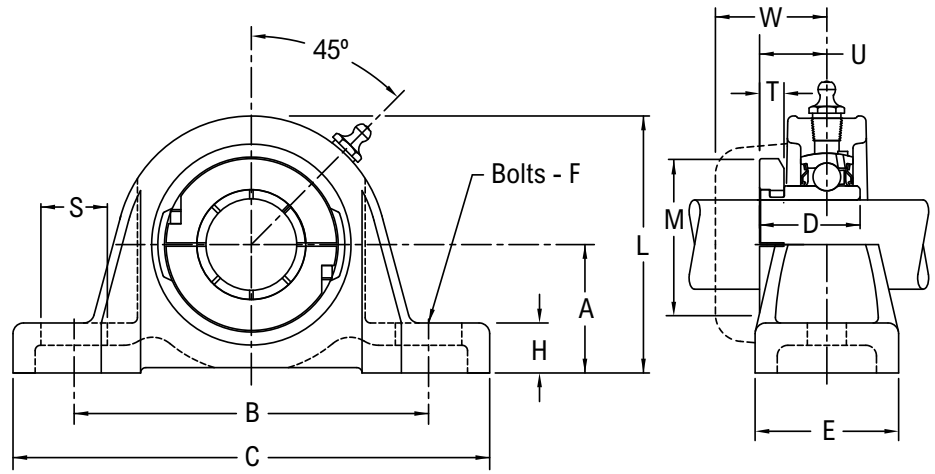
- Corrosion resistant powder coating
- Cast iron housing
- Broad range of sealing options
- Wide inner ring for increased shaft stability
- Centrik-Lok CL shaft locking device
- Alignable and relubricatable
- Black Oxide
- See Features and Benefits for additional info on pages 298 - 299.



Bearing Dimensions

Size Code	Shaft Diameter	Part Number	A Base to Centerline Height	B Distance Between Bolt Holes	C	D	E	F Bolts	H	L	M	S	U	W	Approx. Weight
203	1/2	P3CL2B08N *■	1 3/16	3 1/2	4 5/8	1 3/32	1 5/16	3/8	1/2	2 11/32	1 5/8	3/4	41/64	1 13/64	1.00
	5/8	P3CL210N *■													
	11/16	P3CL211N *■													
	17.00	P3CL2M17N *■	30.16	88.90	117.50	27.78	33.33	10.00	12.70	59.50	41.28	19.00	16.30	30.60	0.45
204	3/4	P3CL212N *■	1 5/16	3 7/8	5 1/8	1 9/32	1 7/16	3/8	1/2	2 19/32	2 1/16	3/4	3/4	1 19/64	1.70
	20.00	P3CL2M20N *■	33.34	98.40	130.20	32.54	36.51	10.00	12.70	65.90	52.39	19.00	19.00	32.90	0.76
205	7/8	P3CL214N Δ*■	1 7/16	4	5 3/8	1 23/64	1 21/64	3/8	9/16	2 7/8	2 13/64	3/4	51/64	1 9/32	1.90
	15/16	P3CL215N Δ*■													
	1	P3CL216N Δ*■													
	25.00	P3CL2M25N Δ*■	36.51	101.60	136.50	34.53	33.73	10.00	14.30	73.00	55.96	19.00	20.20	32.50	0.86
206	1 1/8	P3CL218N Δ*■	1 11/16	4 5/8	6 5/16	1 9/16	1 5/8	1/2	11/16	3 5/16	2 19/32	15/16	61/64	1 29/64	2.70
	1 3/16	P3CL219N Δ*■													
	1 1/4	P3CL2E20N Δ*■													
	30.00	P3CL2M30N Δ*■	42.86	117.50	160.30	39.69	41.27	12.00	17.50	84.10	65.88	23.80	24.20	36.90	1.22
207	1 1/4	P3CL220N Δ*■	1 7/8	4 15/16	6 3/8	1 49/64	1 3/4	1/2	13/16	3 11/16	3 3/64	7/8	1 7/64	1 35/64	3.70
	1 3/8	P3CL222N Δ*■													
	1 7/16	P3CL223N Δ*■													
	35.00	P3CL2M35N Δ*■	47.62	125.40	161.90	44.85	44.45	12.00	20.60	93.70	77.39	22.22	28.20	39.30	1.67
208	1 1/2	P3CL224N Δ*■	2	5 3/8	7 1/16	1 29/32	1 7/8	1/2	13/16	4	3 3/16	15/16	1 11/64	1 41/64	4.70
	40.00	P3CL2M40N Δ*■													
209	1 5/8	P3CL226N Δ*■	2 1/8	5 11/16	7 1/4	2 1/32	2	1/2	13/16	4 5/16	3 3/8	1	1 15/64	1 21/32	5.40
	1 11/16	P3CL227N Δ*■													
	1 3/4	P3CL228N Δ*■													
	45.00	P3CL2M45N Δ*■	53.98	144.46	184.20	51.59	50.80	12.00	20.60	109.50	85.73	25.40	31.40	42.10	2.43

Continued...



Continued...

Bearing Dimensions

Size Code	Shaft Diameter	Part Number	A Base to Centerline Height	B Distance Between Bolt Holes	C	D	E	F Bolts	H	L	M	S	U	W	Approx. Weight
210	1 ¹⁵ / ₁₆	P3CL231N Δ■	2 ¹ / ₄	6 ³ / ₁₆	7 ⁷ / ₈	2 ³ / ₃₂	2 ¹ / ₈	5/ ₈	7/ ₈	4 ⁹ / ₁₆	3 ³ / ₄	1 ¹⁵ / ₁₆	1 ¹⁷ / ₆₄	1 ²⁵ / ₃₂	6.10
	2	P3CL2E32N Δ■													
	50.00	P3CL2M50N Δ*	57.15	157.20	200.00	53.18	54.00	16.00	22.20	115.88	95.25	23.80	32.10	45.20	2.75
211	2	P3CL232N Δ■	2 ¹ / ₂	6 ²⁹ / ₃₂	8 ⁷ / ₈	2 ¹ / ₄	2 ⁵ / ₁₆	5/ ₈	1	5	4 ⁵ / ₆₄	1 ⁷ / ₃₂	1 ¹³ / ₃₂	2 ¹ / ₆₄	7.80
	2 ³ / ₁₆	P3CL235N Δ■													
	55.00	P3CL2M55N Δ*	63.50	175.41	225.42	57.15	58.73	16.00	25.40	127.00	103.58	30.95	35.70	51.20	3.51
212	2 ¹ / ₄	P3CL236N Δ■	2 ¹¹ / ₁₆	7 ¹ / ₂	9 ¹ / ₂	2 ¹ / ₂	2 ³ / ₈	5/ ₈	1 ¹ / ₈	5 ³ / ₈	4 ⁹ / ₃₂	1 ¹ / ₈	1 ⁹ / ₁₆	2 ⁷ / ₆₄	11.40
	2 ³ / ₈	P3CL238N Δ■													
	2 ⁷ / ₁₆	P3CL239N Δ■													
	60.00	P3CL2M60N Δ*	68.26	190.50	241.30	63.50	60.32	16.00	28.60	136.50	108.74	28.57	39.70	53.60	5.13
213	2 ¹ / ₂	P3CL240NΔ*	3	8 ¹ / ₈	10 ¹ / ₂	2 ³ / ₄	2 ⁷ / ₈	3/ ₄	1 ⁵ / ₁₆	6	4 ⁵¹ / ₆₄	1 ³ / ₁₆	1 ³ / ₄	2 ¹⁵ / ₆₄	15.90
	2 ¹¹ / ₁₆	P3CL243NΔ*													
	65.00	P3CL2M65NΔ*													
215	2 ³ / ₄	P3CL244NΔ*	3 ¹ / ₄	8 ⁷ / ₈	11 ³ / ₄	2 ²⁹ / ₆₄	3 ¹ / ₄	3/ ₄	1 ³ / ₈	6 ¹ / ₂	5 ¹ / ₄	1 ⁵ / ₁₆	1 ²⁷ / ₃₂	2 ²⁹ / ₆₄	19.50
	2 ¹⁵ / ₁₆	P3CL247NΔ*													
	3	P3CL2E48NΔ*													
	75.00	P3CL2M75NΔ*	82.55	225.40	298.40	74.22	82.60	20.00	34.90	165.10	133.35	33.30	46.83	62.31	8.78
217	3 ⁷ / ₁₆	P3CL255NΔ*	3 ³ / ₄	10	13	3 ³⁹ / ₆₄	3 ¹ / ₂	7/ ₈	1 ⁵ / ₈	7 ⁷ / ₁₆	5 ²³ / ₃₂	1 ⁵ / ₈	2 ¹¹ / ₆₄	2 ⁵⁷ / ₆₄	28.70
	3 ¹ / ₂	P3CL2E56NΔ*													
	85.00	P3CL2M85NΔ*													
220	3 ¹⁵ / ₁₆	P3CL263NΔ*	4 ⁷ / ₁₆	11 ⁷ / ₈	15 ¹ / ₄	4 ⁷ / ₆₄	4 ¹ / ₄	7/ ₈	1 ¹³ / ₁₆	8 ⁷ / ₈	6 ¹ / ₂	1 ⁷ / ₈	2 ⁷ / ₁₆	3	50.20
	4	P3CL2E64NΔ*													
	100.00	P3CL2M100NΔ*													

Additional Notes

Please call 1-866-REXNORD for availability
 Lubrication fitting tap size: for size code 203-204, 1/4 in-28 UNF; for all other size codes, 1/8 in PT
 Base to centerline tolerance, +0.000 in/-0.010 in (+0.00 mm/-0.25 mm)
 * N lip seals standard
 ■ Available with H labyrinth seals

Δ Available with E3 triple lip seals
 Nickel plated housings available through all size codes, add suffix K75
 For the Selection Guide, Load Ratings and Speed Limits, see the Link-Belt 200 Series Ball Bearing Engineering section on pages 302 - 310.
 Note: Dimensions subject to change. Certified dimensions of ordered material furnished on request.

P3Y200

Interchange: P2BSXR, SY-WF, HCP200, RAS

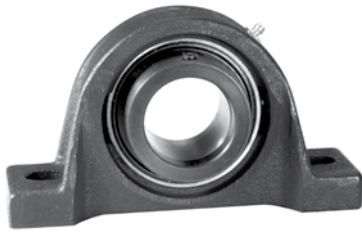
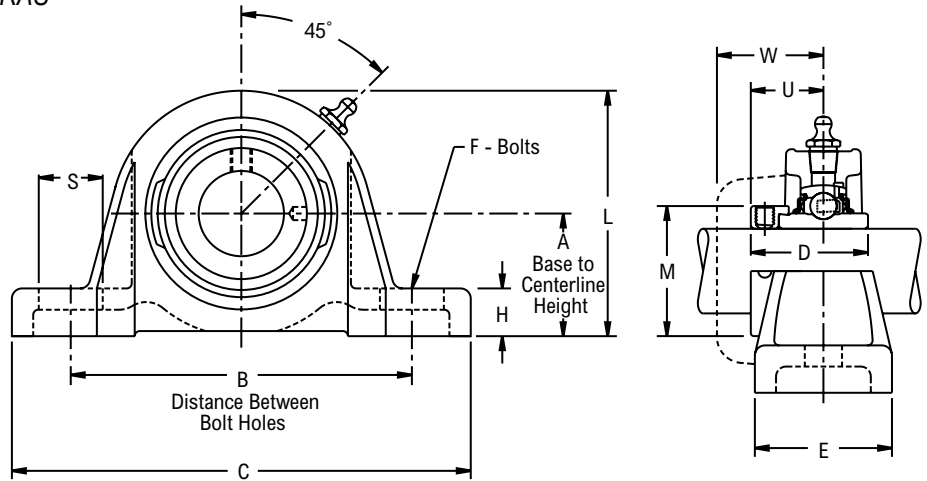


Photo Shows a 2-Bolt Ball Bearing Pillow Block Unit

Product Features

- Corrosion-resistant powder coating
- Cast iron housing
- Broad range of sealing options
- Wide inner ring for increased shaft stability
- Eccentric cam locking device
- Alignable & relubricatable
- See Features and Benefits for additional info on pages 298 - 299.



Bearing Dimensions

Size Code	Shaft Diameter	Part Number	A Base to Centerline Height	B Distance Between Bolt Holes	C	D	E	F Bolts	H	L	M	S	U	W	Approx. Weight
203	1/2	P3Y2B08N *■	1 3/16	3 1/2	4 5/8	1 15/32	1 5/16	3/8	1/2	2 11/32	1 1/8	3/4	59/64	1 13/64	1.10
	5/8	P3Y210N *■													
	11/16	P3Y211N *■													
204	3/4	P3Y212N *■	1 5/16	3 7/8	5 1/8	1 23/32	1 7/16	3/8	1/2	2 19/32	1 5/16	3/4	1 3/64	1 19/64	1.80
	7/8	P3Y214N *△■	1 7/16	4	5 3/8	1 3/4	1 21/64	3/8	9/16	2 7/8	1 1/2	3/4	1 1/16	1 9/32	2.00
15/16	P3Y215N *△■														
1	P3Y216N *△■														
206	1 1/8	P3Y218N *△■	1 11/16	4 5/8	6 5/16	1 29/32	1 5/8	1/2	11/16	3 5/16	1 3/4	15/16	1 3/16	1 29/64	2.80
	1 3/16	P3Y219N *△■													
	1 1/4	P3Y2E20N *△■													
207	1 1/4	P3Y220N *△■	1 7/8	4 15/16	6 3/8	2 1/64	1 3/4	1/2	13/16	3 11/16	2 3/16	7/8	1 9/32	1 35/64	4.00
	1 3/8	P3Y222N *△■													
	1 7/16	P3Y223N *△■													
208	1 1/2	P3Y224N *△■	2	5 3/8	7 1/16	2 7/32	1 7/8	1/2	13/16	4	2 3/8	15/16	1 3/8	1 41/64	5.00
	1 5/8	P3Y226N *△■													
209	1 11/16	P3Y227N *△■	2 1/8	5 11/16	7 1/4	2 7/32	2	1/2	13/16	4 5/16	2 1/2	1	1 3/8	1 21/32	5.70
	1 3/4	P3Y228N *△■													
	1 15/16	P3Y231N *△■													
210	2	P3Y2E32N *△■	2 1/4	6 3/16	7 7/8	2 15/32	2 1/8	5/8	7/8	4 1/2	2 3/4	15/16	1 1/2	1 25/32	6.40
	2	P3Y232N *△■													
211	2	P3Y233N *△■	2 1/2	6 29/32	8 7/8	2 13/16	2 5/16	5/8	1	5	3	1 7/32	1 23/32	2 1/64	8.40
	2 3/16	P3Y235N *△■													
212	2 1/4	P3Y236N *△■	2 11/16	7 1/2	9 1/2	3 1/16	2 3/8	5/8	1 1/8	5 3/8	3 5/16	1 1/8	1 27/32	2 7/64	11.60
	2 3/8	P3Y238N *△■													
	2 7/16	P3Y239N *△■													

Additional Notes

- Please call 1-866-REXNORD for availability
- Lubrication fitting tap size: for size code 203-204, 1/4 in-28 UNF; for all other size codes, 1/8 in PT
- Base to centerline tolerance, +.000 in/-0.010 in (+0.00 mm/-0.25 mm)
- * N lip seals standard
- Available with H labyrinth seals

- △ Available with E3 triple lip seals
- Nickel plated housings available, add suffix K75
- For the Selection Guide, Load Ratings and Speed Limits, see the Link-Belt 200 Series Ball Bearing Engineering section on pages 302 - 310.
- Note: Dimensions subject to change. Certified dimensions of ordered material furnished on request.

P3U200

Interchange: P2BSC, SY-TF, UCP200, NP, YAS

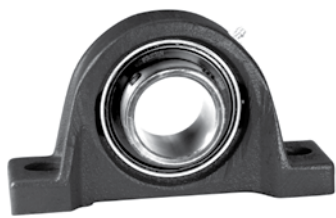
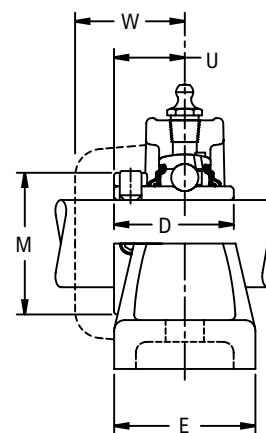
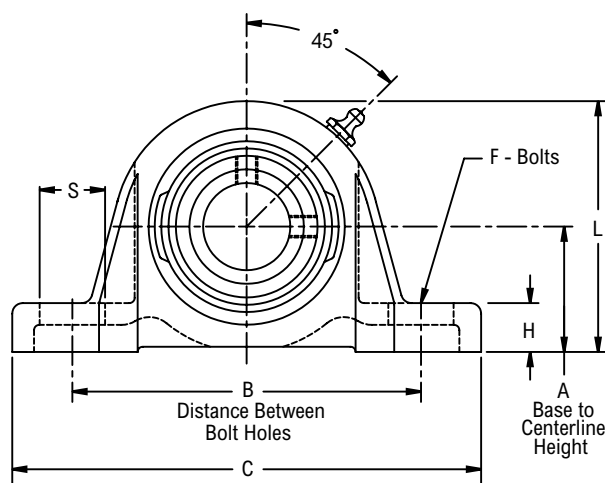


Photo Shows a 2-Bolt Ball Bearing Pillow Block Unit

Product Features

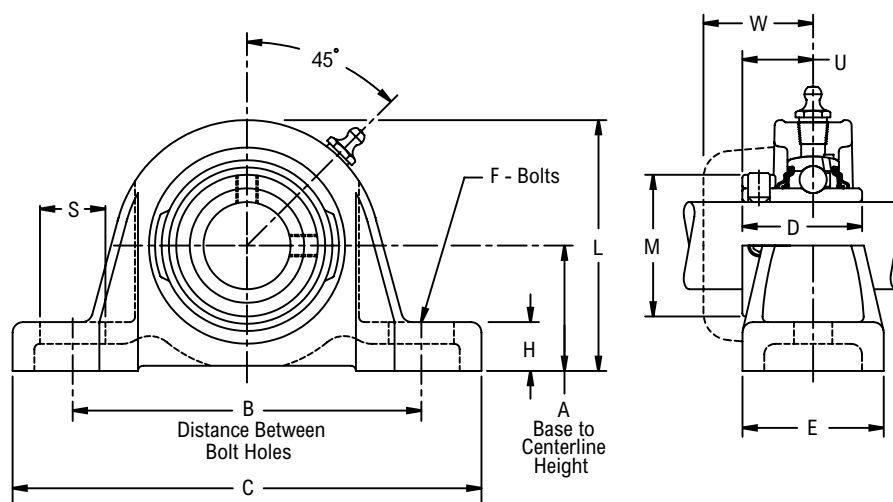
- Corrosion-resistant powder coating
- Cast iron housing
- Broad range of sealing options
- Wide inner ring for increased shaft stability
- Spring locking setscrew mount
- Alignable & relubricatable
- See Features and Benefits for additional info on pages 298 - 299.



Bearing Dimensions

Size Code	Shaft Diameter	Part Number	A Base to Centerline Height	B Distance Between Bolt Holes	C	D	E	F Bolts	H	L	M	S	U	W	Approx. Weight												
203	1/2	P3U2B08N *■	1 3/16	3 1/2	4 5/8	1 3/32	1 5/16	3/8	1/2	2 11/32	-	3/4	41/64	1 13/64	1.00												
	5/8	P3U210N *■																									
	11/16	P3U211N *■																									
204	17.00	P3U2M17N *■	30.16	88.90	117.50	27.78	33.33	10.00	12.70	59.50	-	19.00	16.30	30.60	0.45												
	3/4	P3U212N *■	1 5/16	3 7/8	5 1/8	1 9/32	1 7/16	3/8	1/2	2 19/32	-	3/4	3/4	1 19/64	1.70												
205	20.00	P3U2M20N *■	33.34	98.40	130.20	32.54	36.51	10.00	12.70	65.90	-	19.00	19.00	32.90	0.76												
	7/8	P3U214N *Δ■	1 7/16	4	5 3/8	1 23/64	1 21/64	3/8	9/16	2 7/8	-	3/4	51/64	1 9/32	1.90												
	15/16	P3U215N *Δ■																									
	1	P3U216N *Δ■																									
25.00	P3U2M25N *Δ■	36.51														101.60	136.50	34.53	33.73	10.00	14.30	73.00	-	19.00	20.20	32.50	0.86
206	1 1/8	P3U218N *Δ■	1 11/16	4 5/8	6 3/16	1 9/16	1 5/8	1/2	11/16	3 5/16	-	15/16	61/64	1 29/64	2.70												
	1 3/16	P3U219N *Δ■																									
	1 1/4	P3U2E20N *Δ■																									
207	30.00	P3U2M30N *Δ■	42.86	117.50	160.30	39.69	41.27	12.00	17.50	84.10	-	23.80	24.20	36.90	1.22												
	1 1/4	P3U220N Δ*■	1 7/8	4 15/16	6 3/8	1 49/64	1 3/4	1/2	13/16	3 11/16	-	7/8	1 7/64	1 35/64	3.70												
	1 3/8	P3U222N Δ*■																									
1 7/16	P3U223N Δ*■																										
208	35.00	P3U2M35N Δ*■	47.62	125.40	161.90	44.85	44.45	12.00	20.60	93.70	-	22.22	28.20	39.30	1.67												
	1 1/2	P3U224N Δ*■	2	5 3/8	7 1/16	1 29/32	1 7/8	1/2	13/16	4	-	15/16	1 11/64	1 41/64	4.70												
	40.00	P3U2M40N Δ*■														50.80	136.50	179.40	48.42	47.60	12.00	20.60	101.60	-	23.80	29.80	41.70
1 5/8	P3U226N Δ*■																										
209	1 11/16	P3U227N Δ*■	2 1/8	5 11/16	7 1/4	2 1/32	2	1/2	13/16	4 5/16	-	1	1 15/64	1 21/32	5.40												
	1 3/4	P3U228N Δ*■																									
	45.00	P3U2M45N Δ*■														53.98	144.46	184.20	51.59	50.80	12.00	20.60	109.50	-	25.40	31.40	42.10
210	1 15/16	P3U231N Δ*■	2 1/4	6 3/16	7 7/8	2 3/32	2 1/8	5/8	7/8	4 1/2	-	15/16	1 17/64	1 25/32	6.10												
	2	P3U2E32N Δ*■																									
	50.00	P3U2M50N Δ*■														57.15	157.20	200.00	53.18	54.00	16.00	22.20	114.30	-	23.80	32.10	45.20
211	2	P3U232N Δ*■	2 1/2	6 29/32	8 7/8	2 1/4	2 5/16	5/8	1	5	-	1 7/32	1 13/32	2 1/64	7.80												
	2 3/16	P3U235N Δ*■																									
	55.00	P3U2M55N Δ*■														63.50	175.41	225.42	57.15	58.73	16.00	25.40	127.00	-	30.95	35.70	51.20
212	2 1/4	P3U236N Δ*■	2 11/16	7 1/2	9 1/2	2 1/2	2 3/8	5/8	1 1/8	5 3/8	-	1 1/8	1 9/16	2 7/64	11.40												
	2 3/8	P3U238N Δ*■																									
	2 7/16	P3U239N Δ*■																									
60.00	P3U2M60N Δ*■	68.26	190.50	241.30	63.50	60.32	16.00	28.60	136.50	-	28.57	39.70	53.60	5.13													

Continued...



Continued...

Bearing Dimensions

Size Code	Shaft Diameter	Part Number	A Base to Centerline Height	B Distance Between Bolt Holes	C	D	E	F Bolts	H	L	M	S	U	W	Approx. Weight
213	2 1/2	P3U240NA*	3	8 1/8	10 1/2	2 11/16	2 7/8	3/4	1 5/16	6	4 3/16	1 3/16	1 11/16	2 1/16	15.90
	2 11/16	P3U243NA*													
	65.00	P3U2M65NA*	76.20	206.40	266.70	68.26	73.00	20.00	33.30	152.40	106.40	30.20	42.90	52.40	7.16
215	2 3/4	P3U244NA*	3 1/4	8 7/8	11 3/4	2 7/8	3 1/4	3/4	1 3/8	6 1/2	4 5/8	1 5/16	1 13/16	2 7/32	19.50
	2 15/16	P3U247NA*													
	3	P3U2E48NA*	75.00	225.40	298.40	73.02	82.60	20.00	34.90	165.10	117.50	33.30	46.00	56.40	8.78
217	3 7/16	P3U255NA*	3 3/4	10	13	3 9/16	3 1/2	7/8	1 5/8	7 7/16	5 3/16	1 5/8	2 1/8	2 1/2	28.70
	3 1/2	P3U2E56NA*													
	85.00	P3U2M85NA* Δ	95.25	254.00	330.20	90.49	88.90	24.00	41.30	188.90	131.80	41.30	54.00	63.50	12.92
220	3 15/16	P3U263N*	4 7/16	11 7/8	15 1/4	4 1/4	4 1/4	7/8	1 13/16	8 7/8	5 15/16	1 7/8	2 37/64	3 1/64	50.20
	4	P3U2E64N*													
	100.00	P3U2M100N*	112.71	301.60	387.40	107.95	108.00	24.00	46.00	225.40	150.80	47.60	65.50	76.60	22.60

Additional Notes

Please call 1-866-REXNORD for availability
 Lubrication fitting tap size: for size code 203-204, 1/4 in-28 UNF; for all other size codes, 1/8 in PT
 Base to centerline tolerance, +.000 in/-0.010 in (+0.00 mm/-0.25 mm)
 Size codes 203 to 212 don't have mounting collars
 * N lip seals standard
 ■ Available with H labyrinth seals

Δ Available with E3 triple lip seals
 Nickel plated housings available in all size codes
 For the Selection Guide, Load Ratings and Speed Limits, see the Link-Belt 200 Series Ball Bearing Engineering section on pages 302 - 310.
 Note: Dimensions subject to change. Certified dimensions of ordered material furnished on request.

P3W200

Interchange: P2BSXV, SY-FM, FHP200-G, VPE100, VAS

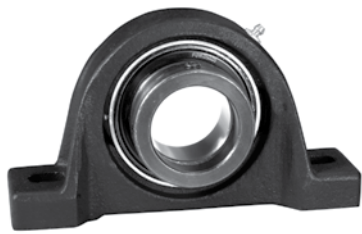
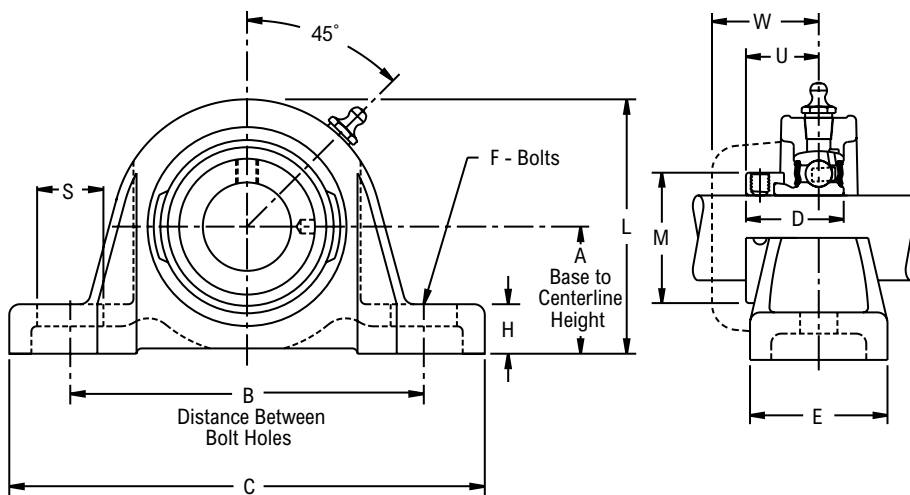


Photo Shows a 2-Bolt Ball Bearing Pillow Block Unit

Product Features

- Corrosion-resistant powder coating
- Cast iron housing
- Eccentric cam locking device
- Alignable & relubricatable
- See Features and Benefits for additional info on pages 298 - 299.



Bearing Dimensions

Size Code	Shaft Diameter	Part Number	A Base to Centerline Height	B Distance Between Bolt Holes	C	D	E	F Bolts	H	L	M	S	U	W	Approx. Weight
203	1/2	P3W2B08E ▲	1 3/16	3 1/2	4 5/8	1 1/8	1 5/16	3/8	1/2	2 11/32	1 1/8	3/4	7/8	1 13/64	0.90
	5/8	P3W210E ▲													
204	3/4	P3W212E ▲	1 9/16	3 7/8	5 1/8	1 7/32	1 7/16	3/8	1/2	2 19/32	1 5/16	3/4	59/64	1 19/64	1.60
	7/8	P3W214E ▲													
205	15/16	P3W215E ▲	1 7/16	4	5 3/8	1 7/32	1 21/64	3/8	9/16	2 7/8	1 1/2	3/4	59/64	1 9/32	1.80
	1	P3W216E ▲													
	1 1/8	P3W218E ▲													
206	1 3/16	P3W219E ▲	1 11/16	4 5/8	6 5/16	1 13/32	1 5/8	1/2	11/16	3 5/16	1 3/4	15/16	1 3/64	1 29/64	2.50
	1 1/4	P3W220E ▲													
	1 1/4	P3W220E ▲													
207	1 3/8	P3W222E ▲	1 7/8	4 15/16	6 3/8	1 17/32	1 3/4	1/2	13/16	3 11/16	2 3/16	13/16	1 5/32	1 35/64	3.70
	1 7/16	P3W223E ▲													
	1 7/16	P3W223E ▲													
208	1 1/2	P3W224E ▲	2	5 3/8	7 1/16	1 23/32	1 7/8	1/2	13/16	4	2 3/8	15/16	1 9/32	1 41/64	4.60
	1 5/8	P3W226E ▲													
209	1 11/16	P3W227E ▲	2 1/8	5 11/16	7 1/4	1 23/32	2	1/2	13/16	4 5/16	2 1/2	1	1 9/32	1 21/32	5.00
	1 3/4	P3W228E ▲													
	1 3/4	P3W228E ▲													
210	1 15/16	P3W231E ▲	2 1/4	6 3/16	7 7/8	1 23/32	2 1/8	5/8	7/8	4 9/16	2 3/4	15/16	1 9/32	1 25/32	5.50
	2	P3W2E32E ▲													

Additional Notes

- Please call 1-866-REXNORD for availability
- Lubrication fitting tap size: for size code 203-204, 1/4 in-28 UNF; for all other size codes, 1/8 in PT
- Base to centerline tolerance, +.000 in/-0.010 in (+0.00 mm/-0.25 mm)
- ▲ E lip seals standard
- Nickel plated housings available, add suffix K75

For the Selection Guide, Load Ratings and Speed Limits, see the Link-Belt 200 Series Ball Bearing Engineering section on pages 302 - 310.

Note: Dimensions subject to change. Certified dimensions of ordered material furnished on request.

P3S200

Interchange: P2BVSC, SY-RM, FHSP200-G, VPS100, SAS

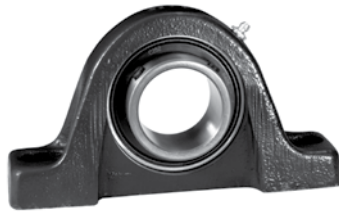
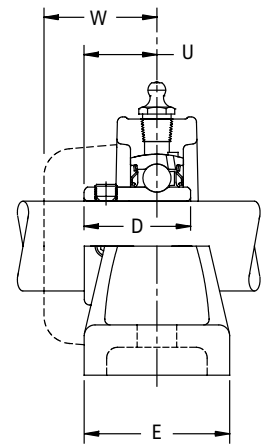
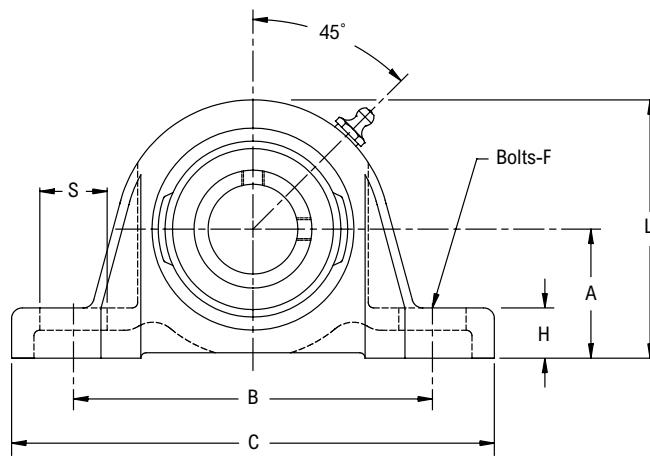


Photo Shows a 2-Bolt Ball Bearing Pillow Block Unit

Product Features

- Corrosion-resistant powder coating
- Cast iron housing
- Broad range of sealing options
- Spring locking setscrew mount
- Alignable & relubricatable
- See Features and Benefits for additional info on pages 298 - 299.



Bearing Dimensions

Size Code	Shaft Diameter	Part Number	A Base to Centerline Height	B Distance Between Bolt Holes	C	D	E	F Bolts	H	L	S	U	W	Approx. Weight
203	1/2	P3S2B08E♦♦ □Δ	1 3/16	3 1/2	4 5/8	63/64	1 5/16	3/8	1/2	2 11/32	3/4	41/64	1 13/64	1.11
	5/8	P3S210E♦♦ □Δ												1.07
	11/16	P3S211E♦♦ □Δ												1.05
204	3/4	P3S212E♦♦ □Δ	1 5/16	3 7/8	5 1/8	1 1/8	1 7/16	3/8	1/2	2 19/32	3/4	3/4	1 19/64	1.51
	20.00	P3S2M20E♦♦ □Δ	33.32	98.40	130.20	28.58	36.52	10.00	12.70	65.90	19.00	19.00	32.90	0.70
205	7/8	P3S214E♦♦ □Δ	1 7/16	4	5 3/8	1 11/64	1 21/64	3/8	9/16	2 7/8	3/4	51/64	1 9/32	1.81
	15/16	P3S215E♦♦ □Δ												1.78
	1	P3S216E♦♦ □Δ												1.75
	25.00	P3S2M25E♦♦ □Δ												36.52
206	1 1/8	P3S218E♦♦ □Δ	1 11/16	4 5/8	6 5/16	1 11/32	1 5/8	1/2	1 1/16	3 5/16	15/16	61/64	1 29/64	2.45
	1 3/16	P3S219E♦♦ □Δ												2.42
	1 1/4	P3S220E♦♦ □Δ												2.39
	30.00	P3S2M30E♦♦ □Δ												42.88
207	1 1/4	P3S220E♦♦ □Δ	1 7/8	4 15/16	6 3/8	1 9/16	1 3/4	1/2	13/16	3 11/16	7/8	1 7/64	1 35/64	3.57
	1 3/8	P3S222E♦♦ □Δ												3.47
	1 7/16	P3S223E♦♦ □Δ												3.41
	35.00	P3S2M35E♦♦ □Δ												47.62
208	1 1/2	P3S224E♦♦ □Δ	2 1/8	5 3/8	7 1/16	1 21/32	1 7/8	1/2	13/16	4	15/16	1 11/64	1 41/64	4.60
	1 5/8	P3S226E♦♦ □Δ												4.46
	40.00	P3S2M40E♦♦ □Δ												53.98
209	1 5/8	P3S226E♦♦ □Δ	2 1/8	5 11/16	7 1/4	1 49/64	2	1/2	13/16	4 5/16	1	1 15/64	1 21/32	5.28
	1 11/16	P3S227E♦♦ □Δ												5.21
	1 3/4	P3S228E♦♦ □Δ												5.14
210	1 7/8	P3S230E♦♦ □Δ	2 1/4	6 3/16	7 7/8	1 13/16	2 1/8	5/8	7/8	4 9/16	15/16	1 17/64	1 25/32	6.28
	1 15/16	P3S231E♦♦ □Δ												6.19
	2	P3S2E32E♦♦ □Δ												6.10
	2	P3S232E♦♦ □Δ												7.78
211	2 3/16	P3S235E♦♦ □Δ	2 1/2	6 29/32	8 7/8	1 13/16	2 5/16	5/8	1	5	1 7/32	1 9/32	2 1/64	7.48
	2 1/4	P3S2E36E♦♦ □Δ												7.38
	2 1/4	P3S236E♦♦ □Δ												10.12
212	2 3/8	P3S238E♦♦ □Δ	2 3/4	7 1/2	9 1/2	1 57/64	2 3/8	5/8	1 7/64	5 3/8	1 1/8	1 5/16	2 7/64	9.88
	2 7/16	P3S239E♦♦ □Δ												9.76
215	2 15/16	P3S247E♦♦ □Δ	3 1/2	8 7/8	12	2 17/64	2 7/8	7/8	1 7/32	6 21/32	1 5/16	1 15/32	2 7/32	16.73

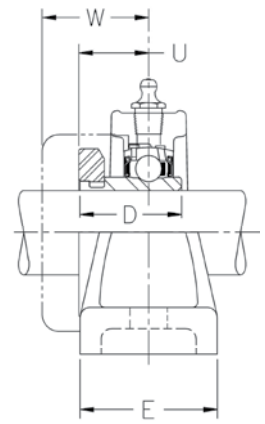
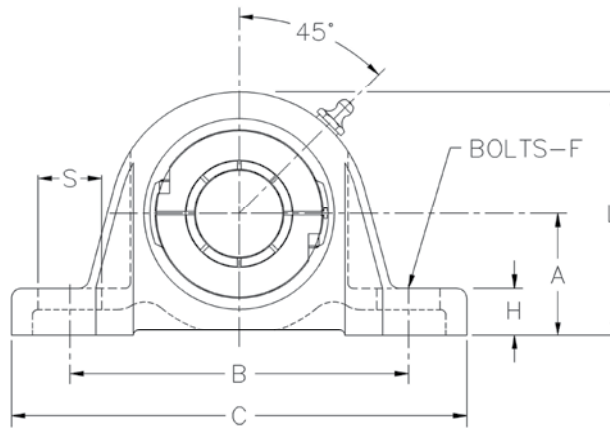
Additional Notes

- Please call 1-866-REXNORD for availability
- Lubrication fitting tap size: for size codes 203-204, 1/4-28 UNF: for all other size codes, 1/8 in PT
- Base to centerline tolerance, +/- .005 in (+/- 0.13 mm)
- Lip seals standard
- ♦ Available with E1 viton seals for all size codes

- ♦ Nickel plated housings available, add suffix K75
- Available with free running style seals, add suffix ♦ FF, □ HFF or Δ MHFF for all size codes
- For the Selection Guide, Load Ratings and Speed Limits, see the Link-Belt 200 Series Ball Bearing Engineering section on pages 302 - 310.
- Note: Dimensions subject to change. Certified dimensions of ordered material furnished on request.

PL3CL200

Interchange: P2BDLB, GRLP200, NPL-T, UELP200



Product Features

- Corrosion-resistant powder coating
- Cast iron housing
- Broad range of sealing options
- Wide inner ring for increased shaft stability
- Centrik-Lok CL shaft locking device
- Alignable & relubricatable
- Black Oxide
- See Features and Benefits for additional info on pages 298 - 299.

Bearing Dimensions

Size Code	Shaft Diameter	Part Number	A Base to Centerline Height	B Distance Between Bolt Holes	C	D	E	F Bolts	H	L	M	S	U	W	Approx. Weight
203	1/2	PL3CL2B08N	1 1/16	3 1/2	4 5/8	1 3/32	1 5/16	3/8	3/8	2 7/32	1 5/8	3/4	4 1/64	1 13/64	0.90
	5/8	PL3CL210N													
	11/16	PL3CL211N													
	17.00	PL3CL2M17N	26.99	88.90	117.47	27.78	33.34	10.00	9.52	56.35	41.28	19.05	16.30	30.60	0.41
204	3/4	PL3CL212N	1 1/4	3 7/8	5 1/8	1 9/32	1 7/16	3/8	7/16	2 17/32	2 1/16	3/4	3/4	1 19/64	1.60
	20.00	PL3CL2M20N													
205	7/8	PL3CL214N	1 5/16	4	5 3/8	1 29/64	1 21/64	3/8	7/16	2 3/4	2 13/64	3/4	5 1/64	1 9/32	1.80
	15/16	PL3CL215N													
	1	PL3CL216N													
	25.00	PL3CL2M25N	33.34	101.60	136.52	34.53	33.73	10.00	11.10	69.85	55.96	19.05	20.20	32.50	0.81
206	1 1/8	PL3CL218N	1 9/16	4 5/8	6 5/16	1 9/16	1 5/8	1/2	9/16	3 3/16	2 19/32	15/16	6 1/64	1 29/64	2.50
	1 3/16	PL3CL219N													
	1 1/4	PL3CL2E20N													
	30.00	PL3CL2M30N	39.69	117.47	160.30	39.69	41.27	12.00	14.28	80.96	65.88	23.81	24.20	36.90	1.13
207	1 1/4	PL3CL220N	1 13/16	4 15/16	6 3/8	1 49/64	1 3/4	1/2	3/4	3 5/8	3 3/64	7/8	1 7/64	1 35/64	3.50
	1 3/8	PL3CL222N													
	1 7/16	PL3CL223N													
	35.00	PL3CL2M35N	46.04	125.40	161.90	44.85	44.45	12.00	19.00	92.10	77.39	22.22	28.20	39.30	1.58
208	1 1/2	PL3CL224N	1 15/16	5 3/8	7 1/16	1 29/32	1 7/8	1/2	47/64	3 15/16	3 3/16	15/16	1 11/64	1 41/64	4.50
	40.00	PL3CL2M40N													
209	1 5/8	PL3CL226N	2 1/16	5 11/16	7 1/4	2 1/32	2	1/2	3/4	4 1/4	3 3/8	1	1 15/64	1 21/32	5.20
	1 11/16	PL3CL227N													
	1 3/4	PL3CL228N													
	45.00	PL3CL2M45N	52.39	144.46	184.20	51.59	50.80	12.00	19.00	108.00	85.73	25.40	31.40	42.10	2.34
210	1 15/16	PL3CL231N	2 3/16	6 3/16	7 7/8	2 3/32	2 1/8	5/8	13/16	4 1/2	3 3/4	15/16	1 17/64	1 25/32	5.90
	2	PL3CL2E32N													
	50.00	PL3CL2M50N	55.56	157.20	200.00	53.18	54.00	16.00	20.60	114.30	95.25	23.80	32.10	45.20	2.66
211	2	PL3CL232N	2 7/16	6 29/32	8 7/8	2 1/4	2 5/16	5/8	15/16	4 15/16	4 5/64	1 7/32	1 13/32	2 1/64	7.40
	2 3/16	PL3CL235N													
	55.00	PL3CL2M55N	61.91	175.41	225.42	57.15	58.73	16.00	23.80	125.40	103.58	30.95	35.70	51.20	3.33
212	2 1/4	PL3CL236N	2 11/16	7 1/2	9 1/2	2 1/2	2 1/2	5/8	1 1/8	5 3/8	4 9/32	1 1/16	1 9/16	2 7/64	11.00
	2 3/8	PL3CL238N													
	2 7/16	PL3CL239N													
	60.00	PL3CL2M60N	68.26	190.50	241.30	63.50	63.50	16.00	28.60	136.50	108.74	27.00	39.70	53.60	4.95

Additional Notes

- Please call 1-866-REXNORD for availability
- Lubrication fitting tap size: for size code 203, 1/4-28 UNF, for all other size code, 1/8" PT
- Base to centerline tolerance, +.000"/-.010" (+0.00mm/-0.25mm)
- *N lip seals standard
- Available with H labyrinth seals

- △ Available with E3 triple lip seals
- For the Selection Guide, Load Ratings and Speed Limits, see the Link-Belt 200 Series Ball Bearing Engineering section on pages 302 - 310.
- Note: Dimensions subject to change. Certified dimensions of ordered material furnished on request.

PL3Y200

Interchange: P2BSXRB, SYH-WF, HCLP200, RAK

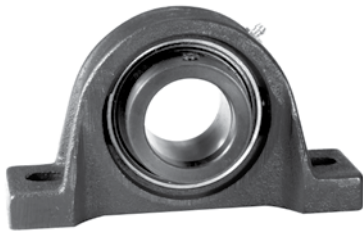
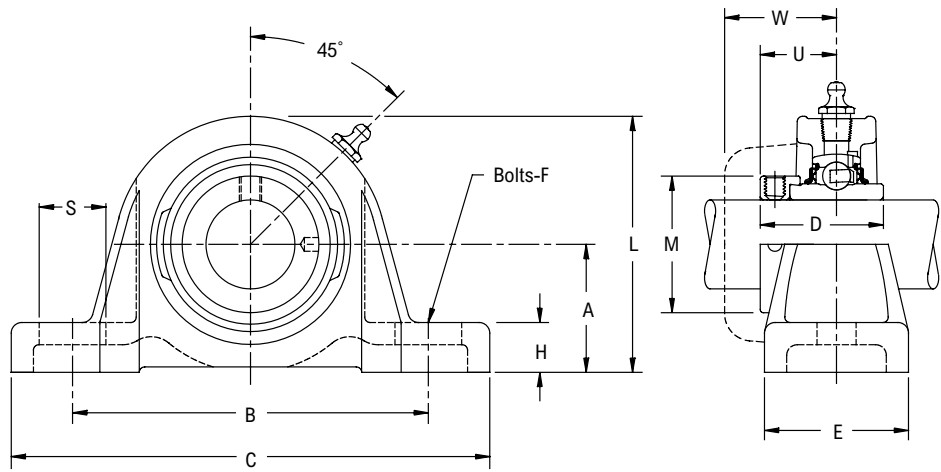


Photo Shows a 2-Bolt Ball Bearing Pillow Block Unit

Product Features

- Corrosion-resistant powder coating
- Cast iron housing
- Broad range of sealing options
- Wide inner ring for increased shaft stability
- Eccentric cam locking device
- Alignable & relubricatable
- Low base to center height
- See Features and Benefits for additional info on pages 298 - 299.



Bearing Dimensions

Size Code	Shaft Diameter	Part Number	A Base to Centerline Height	B Distance Between Bolt Holes	C	D	E	F Bolts	H	L	M	S	U	W	Approx. Weight
203	1/2	PL3Y2B08N *■	1 1/16	3 1/2	4 5/8	1 15/32	1 5/16	3/8	3/8	2 7/32	1 1/8	3/4	59/64	1 13/64	1.00
	5/8	PL3Y210N *■													
	11/16	PL3Y211N *■													
204	3/4	PL3Y212N *■	1 1/4	3 7/8	5 1/8	1 23/32	1 7/16	3/8	7/16	2 17/32	1 5/16	3/4	1 3/64	1 19/64	1.70
	7/8	PL3Y214N *Δ■													
205	15/16	PL3Y215N *Δ■	1 5/16	4	5 3/8	1 3/4	1 21/64	3/8	7/16	2 3/4	1 1/2	3/4	1 1/16	1 9/32	1.90
	1	PL3Y216N *Δ■													
206	1 1/8	PL3Y218N *Δ■	1 9/16	4 5/8	6 5/16	1 29/32	1 5/8	1/2	9/16	3 3/16	1 3/4	15/16	1 3/16	1 29/64	2.60
	1 3/16	PL3Y219N *Δ■													
	1 1/4	PL3Y2E20N *Δ■													
	1 1/4	PL3Y220N *Δ■													
207	1 1/4	PL3Y222N *Δ■	1 13/16	4 15/16	6 3/8	2 1/64	1 3/4	1/2	3/4	3 5/8	2 3/16	7/8	1 9/32	1 35/64	3.80
	1 3/8	PL3Y223N *Δ■													
	1 7/16	PL3Y224N *Δ■													
208	1 1/2	PL3Y224N *Δ■	1 15/16	5 3/8	7 1/16	2 7/32	1 7/8	1/2	47/64	3 15/16	2 3/8	15/16	1 3/8	1 41/64	4.80
	1 5/8	PL3Y226N *Δ■													
209	1 11/16	PL3Y227N *Δ■	2 1/16	5 11/16	7 1/4	2 7/32	2	1/2	3/4	4 1/4	2 1/2	1	1 3/8	1 21/32	5.50
	1 3/4	PL3Y228N *Δ■													
	1 15/16	PL3Y231N *Δ■													
210	2	PL3Y2E32N *Δ■	2 3/16	6 3/16	7 7/8	2 15/32	2 1/8	5/8	13/16	4 1/2	2 3/4	15/16	1 1/2	1 25/32	6.20
	2	PL3Y232N *Δ■													
211	2 3/16	PL3Y235N *Δ■	2 7/16	6 29/32	8 7/8	2 13/16	2 5/16	5/8	15/16	4 15/16	3	1 7/32	1 23/32	2 1/64	8.00
	2 1/4	PL3Y236N *Δ■													
212	2 3/8	PL3Y238N *Δ■	2 11/16	7 1/2	9 1/2	3 1/16	2 1/2	5/8	1 1/8	5 3/8	3 5/16	1 1/16	1 27/32	2 7/64	11.60
	2 7/16	PL3Y239N *Δ■													

Additional Notes

- Please call 1-866-REXNORD for availability
- Lubrication fitting tap size: for size code 203-204, 1/4 in-28 UNF; for all other size codes, 1/8 in PT
- Base to centerline tolerance, +.000 in/-0.010 in (+0.00 mm/-0.25 mm)
- * N lip seals standard
- Available with H labyrinth seals

- Δ Available with E3 triple lip seals
- For the Selection Guide, Load Ratings and Speed Limits, see the Link-Belt 200 Series Ball Bearing Engineering section on pages 302 - 310.
- Note: Dimensions subject to change. Certified dimensions of ordered material furnished on request.

PL3U200

Interchange: P2BSCB, SYH-TF, UCLP200, NPL, YAK

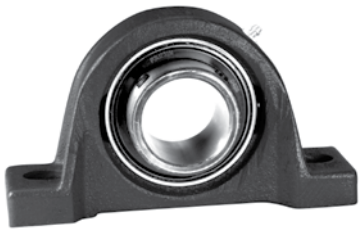
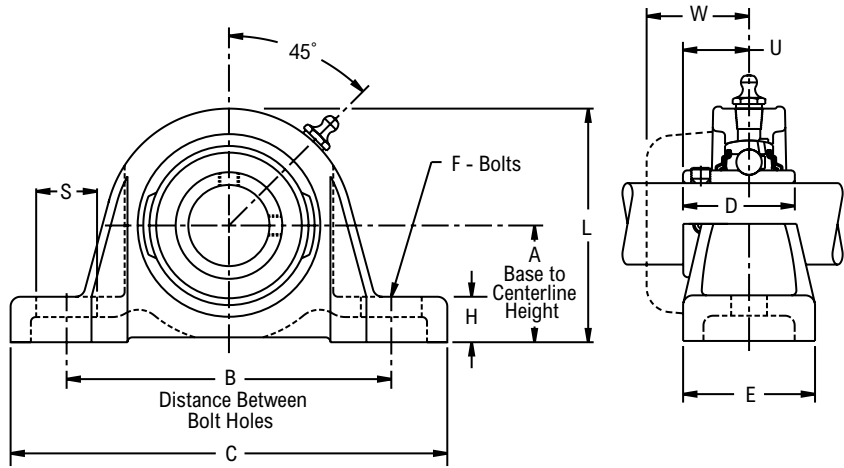


Photo Shows a 2-Bolt Ball Bearing Pillow Block Unit

Product Features

- Corrosion-resistant powder coating
- Cast iron housing
- Broad range of sealing options
- Wide inner ring for increased shaft stability
- Spring locking setscrew mount
- Alignable & relubricatable
- Low base to center height
- See Features and Benefits for additional info on pages 298 - 299.



Bearing Dimensions

Size Code	Shaft Diameter	Part Number	A Base to Centerline Height	B Distance Between Bolt Holes	C	D	E	F Bolts	H	L	S	U	W	Approx. Weight
203	1/2	PL3U2B08N *■	1 1/16	3 1/2	4 5/8	1 3/32	1 5/16	3/8	3/8	2 7/32	3/4	41/64	1 13/64	0.90
	5/8	PL3U210N *■												
	11/16	PL3U211N *■												
204	17.00	PL3U2M17N *■	26.99	88.90	117.47	27.78	33.34	10.00	9.52	56.35	19.05	16.30	30.60	0.41
	3/4	PL3U212N *■	1 1/4	3 7/8	5 1/8	1 9/32	1 7/16	3/8	7/16	2 17/32	3/4	3/4	1 19/64	1.60
205	20.00	PL3U2M20N *■	31.75	98.40	130.20	32.54	36.51	10.00	11.10	64.30	19.05	19.00	32.90	0.72
	7/8	PL3U214N *▲	1 5/16	4	5 3/8	1 23/64	1 21/64	3/8	7/16	2 3/4	3/4	51/64	1 9/32	1.80
15/16	PL3U215N *▲													
1	PL3U216N *▲													
206	25.00	PL3U2M25N *▲	33.34	101.60	136.52	34.53	33.73	10.00	11.11	69.85	19.05	20.20	32.50	0.81
	1 1/8	PL3U218N *▲	1 9/16	4 5/8	6 5/16	1 9/16	1 5/8	1/2	9/16	3 3/16	15/16	61/64	1 29/64	2.50
1 3/16	PL3U219N *▲													
1 1/4	PL3U2E20N *▲													
207	30.00	PL3U2M30N *▲	39.69	117.47	160.30	39.69	41.27	12.00	14.28	80.96	23.81	24.20	36.90	1.13
	1 1/4	PL3U220N *▲	1 13/16	4 15/16	6 3/8	1 49/64	1 3/4	1/2	3/4	3 5/8	7/8	1 7/64	1 35/64	3.50
1 3/8	PL3U222N *▲													
1 7/16	PL3U223N *▲													
208	35.00	PL3U2M35N *▲	46.04	125.40	161.90	44.85	44.45	12.00	19.00	92.10	22.22	28.20	39.30	1.58
	1 1/2	PL3U224N *▲	1 15/16	5 3/8	7 1/16	1 29/32	1 7/8	1/2	47/64	3 15/16	15/16	1 11/64	1 41/64	4.50
40.00	PL3U2M40N *▲													
1 5/8	PL3U226N *▲													
209	45.00	PL3U2M45N *▲	52.39	144.46	184.20	51.59	50.80	12.00	19.00	108.00	25.40	31.40	42.10	2.34
	1 11/16	PL3U227N *▲	2 1/16	5 11/16	7 1/4	2 1/32	2	1/2	3/4	4 1/4	1	1 15/64	1 21/32	5.20
1 3/4	PL3U228N *▲													
2	PL3U231N *▲													
210	50.00	PL3U2M50N *▲	55.56	157.20	200.00	53.18	54.00	16.00	20.60	114.30	23.80	32.10	45.20	2.66
	1 15/16	PL3U231N *▲	2 3/16	6 3/16	7 7/8	2 3/32	2 1/8	5/8	13/16	4 1/2	15/16	1 17/64	1 25/32	5.90
2	PL3U2E32N *▲													
2	PL3U232N *▲													
211	55.00	PL3U2M55N *▲	61.91	175.41	225.42	57.15	58.73	16.00	23.80	125.40	30.95	35.70	51.20	3.33
	2 3/16	PL3U235N *▲	2 7/16	6 29/32	8 7/8	2 1/4	2 5/16	5/8	15/16	4 15/16	1 7/32	1 13/32	2 1/64	7.40
2	PL3U232N *▲													
2 1/4	PL3U236N *▲													
212	60.00	PL3U2M60N *▲	68.26	190.50	241.30	63.50	63.50	16.00	28.60	136.50	27.00	39.70	53.60	4.95
	2 3/8	PL3U238N *▲	2 11/16	7 1/2	9 1/2	2 1/2	2 1/2	5/8	1 1/8	5 3/8	1 1/16	1 9/16	2 7/64	11.00
2 7/16	PL3U239N *▲													

Additional Notes

- Please call 1-866-REXNORD for availability
- Lubrication fitting tap size: for size code 203-204, 1/4 in-28 UNF; for all other size codes, 1/8 in PT
- Base to centerline tolerance, +.000 in/-0.010 in (+0.00 mml/-0.25 mm)
- * N lip seals standard
- Available with H labyrinth seals

- ▲ Available with E3 triple lip seals
- For the Selection Guide, Load Ratings and Speed Limits, see the Link-Belt 200 Series Ball Bearing Engineering section on pages 302 - 310.
- Note: Dimensions subject to change. Certified dimensions of ordered material furnished on request.

PL3W200

Interchange: P2BSXVB, SYH-FM, FHLP200-G, VPLE100, VAK

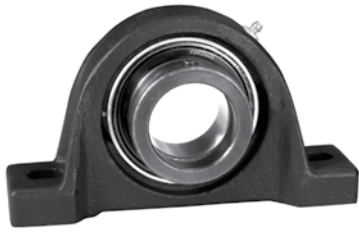
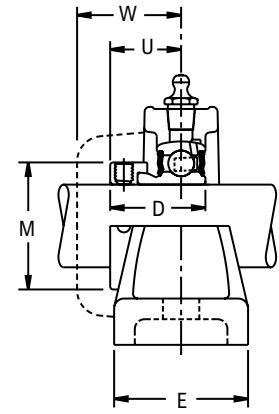
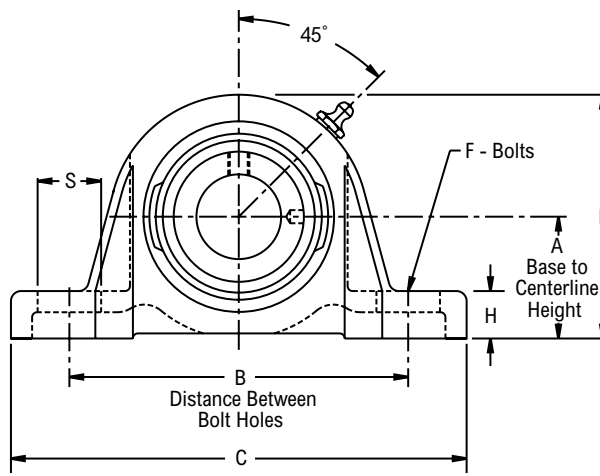


Photo Shows a 2-Bolt Ball Bearing Pillow Block Unit

Product Features

- Corrosion-resistant powder coating
- Cast iron housing
- Eccentric cam locking device
- Alignable & relubricatable
- Low base to center height
- See Features and Benefits for additional info on pages 298 - 299.



Bearing Dimensions

Size Code	Shaft Diameter	Part Number	A Base to Centerline Height	B Distance Between Bolt Holes	C	D	E	F Bolts	H	L	M	S	U	W	Approx. Weight
203	1/2	PL3W2B08E ▲	1 1/16	3 1/2	4 5/8	1 1/8	1 5/16	3/8	3/8	2 7/32	1 1/8	3/4	7/8	1 13/64	0.90
	5/8	PL3W210E ▲													
204	3/4	PL3W212E ▲	1 1/4	3 7/8	5 1/8	1 7/32	1 7/16	3/8	7/16	2 17/32	1 5/16	3/4	59/64	1 19/64	1.60
	7/8	PL3W214E ▲													
205	15/16	PL3W215E ▲	1 5/16	4	5 3/8	1 7/32	1 21/64	3/8	7/16	2 3/4	1 1/2	3/4	59/64	1 9/32	1.80
	1	PL3W216E ▲													
206	1 1/8	PL3W218E ▲	1 9/16	4 5/8	6 5/16	1 13/32	1 5/8	1/2	9/16	3 3/16	1 3/4	15/16	1 3/64	1 29/64	2.50
	1 3/16	PL3W219E ▲													
207	1 1/4	PL3W220E ▲	1 13/16	4 15/16	6 3/8	1 17/32	1 3/4	1/2	3/4	3 5/8	2 3/16	7/8	1 5/32	1 35/64	3.70
	1 3/8	PL3W222E ▲													
208	1 7/16	PL3W223E ▲	1 15/16	5 3/8	7 1/16	1 23/32	1 7/8	1/2	47/64	3 15/16	2 3/8	15/16	1 9/32	1 41/64	4.60
	1 1/2	PL3W224E ▲													
209	1 5/8	PL3W226E ▲	2 1/16	5 11/16	7 1/4	1 23/32	2	1/2	3/4	4 1/4	2 1/2	1	1 9/32	1 21/32	5.00
	1 11/16	PL3W227E ▲													
210	1 3/4	PL3W228E ▲	2 3/16	6 3/16	7 7/8	1 23/32	2 1/8	5/8	13/16	4 1/2	2 3/4	15/16	1 9/32	1 25/32	5.50
	1 15/16	PL3W231E ▲													
	2	PL3W2E32E ▲													

Additional Notes

- Please call 1-866-REXNORD for availability
- Lubrication fitting tap size: for size code 203-204, 1/4 in-28 UNF; for all other size codes, 1/8 in PT
- Base to centerline tolerance, +.000 in/-0.010 in (+0.00 mm/-0.25 mm)
- ▲ E lip seals standard

For the Selection Guide, Load Ratings and Speed Limits, see the Link-Belt 200 Series Ball Bearing Engineering section on pages 302 - 310.
 Note: Dimensions subject to change. Certified dimensions of ordered material furnished on request.

PL3S200

Interchange: P2BVSCB, SYH-RM, FHSLP200-G, VPL100, SAK

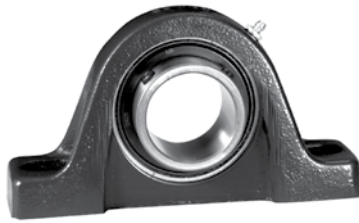
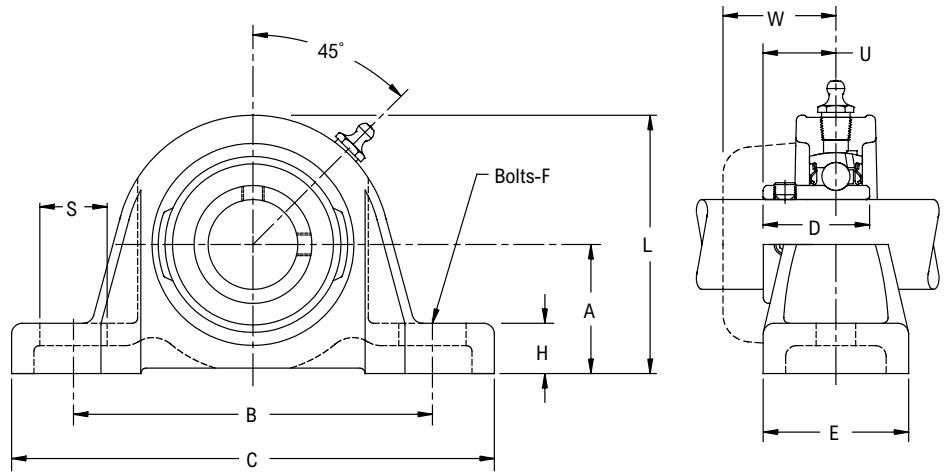


Photo Shows a 2-Bolt Ball Bearing Pillow Block Unit

Product Features

- Corrosion-resistant powder coating
- Cast iron housing
- Broad range of sealing options
- Spring locking setscrew mount
- Alignable & relubricatable
- Low base to center height
- See Features and Benefits for additional info on pages 298 - 299.



Bearing Dimensions

Size Code	Shaft Diameter	Part Number	A Base to Centerline Height	B Distance Between Bolt Holes	C	D	E	F Bolts	H	L	S	U	W	Approx. Weight
203	1/2	PL3S2B08E♦♦ □Δ	1 1/16	3 1/2	4 5/8	63/64	1 5/16	3/8	3/8	2 7/32	3/4	41/64	1 13/64	1.06
	5/8	PL3S210E♦♦ □Δ												1.02
	11/16	PL3S211E♦♦ □Δ												1.00
204	3/4	PL3S212E♦♦ □Δ	1 1/4	3 7/8	5 1/8	1 1/8	1 7/16	3/8	7/16	2 7/32	3/4	3/4	1 19/64	1.44
	20.00	PL3S2M20E♦♦ □Δ	31.75	98.40	130.20	28.58	36.52	10.00	11.10	56.35	19.05	19.00	32.90	0.60
205	7/8	PL3S214E♦♦ □Δ	1 5/16	4	5 3/8	1 11/64	1 21/64	3/8	7/16	2 3/4	3/4	51/64	1 9/32	1.71
	15/16	PL3S215E♦♦ □Δ												1.68
	1	PL3S216E♦♦ □Δ												1.67
	25.00	PL3S2M25E♦♦ □Δ												33.32
206	1 1/8	PL3S218E♦♦ □Δ	1 9/16	4 5/8	6 5/16	1 11/32	1 5/8	1/2	9/16	3 3/16	15/16	61/64	1 29/64	2.27
	1 3/16	PL3S219E♦♦ □Δ												2.24
	1 1/4	PL3S220E♦♦ □Δ												2.21
	30.00	PL3S2M30E♦♦ □Δ												39.67
207	1 1/4	PL3S220E♦♦ □Δ	1 13/16	4 15/16	6 3/8	1 9/16	1 3/4	1/2	3/4	3 5/8	7/8	1 7/64	1 35/64	3.47
	1 3/8	PL3S222E♦♦ □Δ												3.37
	1 7/16	PL3S223E♦♦ □Δ												3.31
	35.00	PL3S2M35E♦♦ □Δ												46.02
208	1 1/2	PL3S224E♦♦ □Δ	1 15/16	5 3/8	7 1/16	1 21/32	1 7/8	1/2	3/4	3 15/16	15/16	1 11/64	1 41/64	4.54
	1 5/8	PL3S226E♦♦ □Δ												4.40
	40.00	PL3S2M40E♦♦ □Δ												49.22
209	1 5/8	PL3S226E♦♦ □Δ	2 1/16	5 11/16	7 1/4	1 49/64	2	1/2	3/4	4 1/4	1	1 15/64	1 21/32	5.22
	1 11/16	PL3S227E♦♦ □Δ												5.15
	1 3/4	PL3S228E♦♦ □Δ												5.08
210	1 7/8	PL3S230E♦♦ □Δ	2 3/16	6 3/16	7 7/8	1 13/16	2 1/8	5/8	13/16	4 1/2	15/16	1 17/64	1 25/32	6.15
	1 15/16	PL3S231E♦♦ □Δ												6.06
	2	PL3S232E♦♦ □Δ												5.97
211	2	PL3S232E♦♦ □Δ	2 7/16	6 29/32	8 7/8	1 13/16	2 5/16	5/8	15/16	4 15/16	1 7/32	1 9/32	2 1/64	7.61
	2 3/16	PL3S235E♦♦ □Δ												7.31
	2 1/4	PL3S236E♦♦ □Δ												7.21
212	2 1/4	PL3S236E♦♦ □Δ	2 11/16	7 1/2	9 5/8	1 57/64	2 3/8	5/8	1	5 13/32	1 1/16	1 5/16	2 7/64	10.07
	2 3/8	PL3S238E♦♦ □Δ												9.83
	2 7/16	PL3S239E♦♦ □Δ												9.71
215	2 15/16	PL3S247E♦♦ □Δ	3 5/16	9 1/8	12	2 17/64	2 7/8	7/8	1 1/32	6 15/32	1 7/8	1 15/32	2 7/32	16.23

Additional Notes

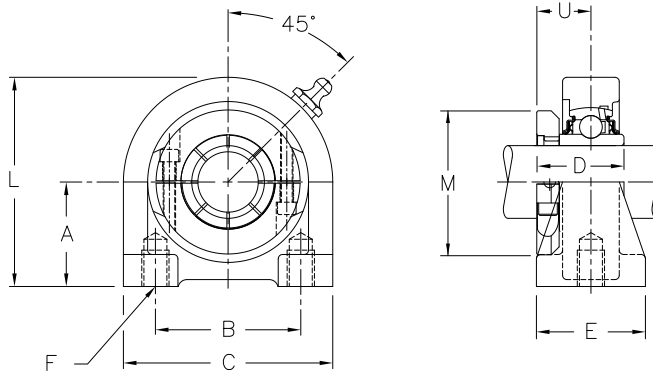
- Please call 1-866-REXNORD for availability
- Lubrication fitting tap size: for size codes 203-204, 1/4-28 UNF: for all other size codes, 1/8 in PT
- Base to centerline tolerance, +/- .005 in (+/- 0.13 mm)
- Lip seals standard
- ♦ Available with E1 viton seals for all size codes

Available with free running style seals, add suffix ♦ FF, □ HFF or Δ MHFF for all size codes For the Selection Guide, Load Ratings and Speed Limits, see the Link-Belt 200 Series Ball Bearing Engineering section on pages 302 - 310.

Note: Dimensions subject to change. Certified dimensions of ordered material furnished on request.

PT3CL200N**Interchange:** *TBDL, TB-T*

Photo Shows a 2-Bolt Ball Bearing Tapped Base Pillow Block

**Product Features**

- Corrosion-resistant powder coating
- Cast iron tapped base housing
- Broad range of sealing options
- Wide inner ring for increased shaft stability
- Spring locking setscrew mount
- Alignable & relubricatable
- See Features and Benefits for additional info on pages 298 - 299.

Bearing Dimensions

Size Code	Shaft Diameter	Part Number	A Base to Centerline Height	B Distance Between Bolt Holes	C	D	E	F Depth	F Tap	L	M	U	Approx. Weight
204	3/4	PT3CL212N *■	1 5/16	2	2 7/8	1 11/32	1 1/2	1/2	3/8-16	2 19/32	1 15/16	1 13/16	1.20
	7/8	PT3CL214N *■											
205	15/16	PT3CL215N *■	1 7/16	2	2 7/8	1 3/8	1 1/2	1/2	3/8-16	2 7/8	2 5/64	57/64	1.40
	1	PT3CL216N *■											
206	1 1/8	PT3CL218N *■	1 11/16	3	4	1 9/16	1 1/2	5/8	7/16-14	3 5/16	2 15/32	29/32	2.50
	1 3/16	PT3CL219N *■											
	1 1/4	PT3CL2E20N *■											
207	1 1/4	PT3CL220N *■	1 7/8	3 1/4	4 13/32	1 3/4	2	3/4	1/2-13	3 11/16	2 7/8	1 1/32	3.40
	1 3/8	PT3CL222N *■											
	1 7/16	PT3CL223N *■											
208	1 1/2	PT3CL224N *■	1 15/16	3 1/2	4 5/8	1 15/16	1 7/8	3/4	1/2-13	3 15/16	3 3/64	1 11/64	3.67
	1 5/8	PT3CL2E26N *■											3.53
209	1 11/16	PT3CL227N *■	2 1/8	3 3/4	5	1 61/64	2	7/8	1/2-13	4 1/4	3 17/64	1 7/32	4.90
	1 3/4	PT3CL228N *■											
210	1 15/16	PT3CL231N *■	2 1/4	4	5 7/16	2 5/64	2	7/8	5/8-11	4 1/2	3 5/8	1 21/64	5.60
	2	PT3CL2E32N *■											

Additional Notes

- Please call 1-866-REXNORD for availability
- Lubrication fitting tap size, 1/8 in PT
- Base to centerline tolerance, +.000 in/-0.010 in (**+0.00 mm/-0.25 mm**)
- * N lip seals standard
- Available with H labyrinth seals
- △ Available with E3 triple lip seals

For the Selection Guide, Load Ratings and Speed Limits, see the Link-Belt 200 Series Ball Bearing Engineering section on pages 302 - 310.

Note: Dimensions subject to change. Certified dimensions of ordered material furnished on request.

PT3U200

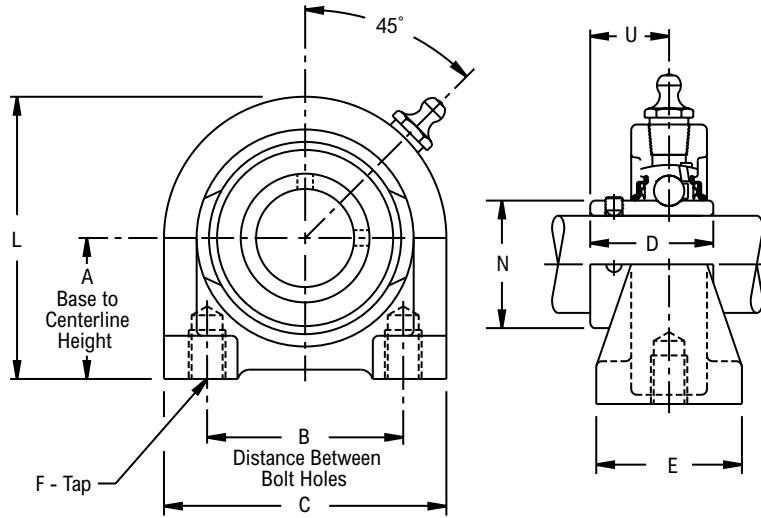
Interchange: TBSC, UCPAS200, TB, YTB



Photo Shows a 2-Bolt Ball Bearing Tapped Base Pillow Block

Product Features

- Corrosion-resistant powder coating
- Cast iron tapped base housing
- Broad range of sealing options
- Wide inner ring for increased shaft stability
- Spring locking setscrew mount
- Alignable & relubricatable
- See Features and Benefits for additional info on pages 298 - 299.



Bearing Dimensions

Size Code	Shaft Diameter	Part Number	A Base to Centerline Height	B Distance Between Bolt Holes	C	D	E	F Depth	F Tap	L	N	U	Approx. Weight
204	3/4	PT3U212N *■	1 5/16	2	2 7/8	1 9/32	1 1/2	1/2	3/8-16	2 19/32	1 1/8	3/4	1.20
205	7/8	PT3U214N *Δ	1 7/16	2	2 7/8	1 23/64	1 1/2	1/2	3/8-16	2 7/8	1 5/16	5 1/64	1.40
	15/16	PT3U215N *Δ											
	1	PT3U216N *Δ											
206	1 1/8	PT3U218N *Δ	1 11/16	3	4	1 9/16	1 1/2	5/8	7/16-14	3 5/16	1 19/32	6 1/64	2.50
	1 3/16	PT3U219N *Δ											
	1 1/4	PT3U220N *Δ											
207	1 1/4	PT3U220N *Δ	1 7/8	3 1/4	4 13/32	1 49/64	2	3/4	1/2-13	3 11/16	1 27/32	1 7/64	3.40
	1 3/8	PT3U222N *Δ											
	1 7/16	PT3U223N *Δ											
208	1 1/2	PT3U224N *Δ	1 15/16	3 1/2	4 5/8	1 29/32	1 7/8	3/4	1/2-13	3 15/16	2 3/32	1 11/64	3.67
209	1 11/16	PT3U227N *Δ	2 1/8	3 3/4	5	2 1/32	2	7/8	1/2-13	4 1/4	2 9/32	1 15/64	4.90
	1 3/4	PT3U228N *Δ											
210	1 15/16	PT3U231N *Δ	2 1/4	4	5 7/16	2 3/32	2	7/8	5/8-11	4 1/2	2 15/32	1 17/64	5.60
	2	PT3U2E32N *Δ											

Additional Notes

- Please call 1-866-REXNORD for availability
- Lubrication fitting tap size, 1/8 in PT
- Base to centerline tolerance, +0.00 in/-0.010 in (+0.00 mm/-0.25 mm)
- * N lip seals standard
- Available with H labyrinth seals
- Δ Available with E3 triple lip seals

For the Selection Guide, Load Ratings and Speed Limits, see the Link-Belt 200 Series Ball Bearing Engineering section on pages 302 - 310.

Note: Dimensions subject to change. Certified dimensions of ordered material furnished on request.

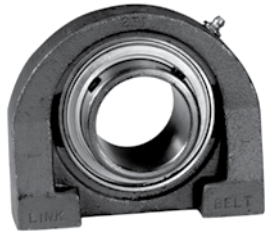
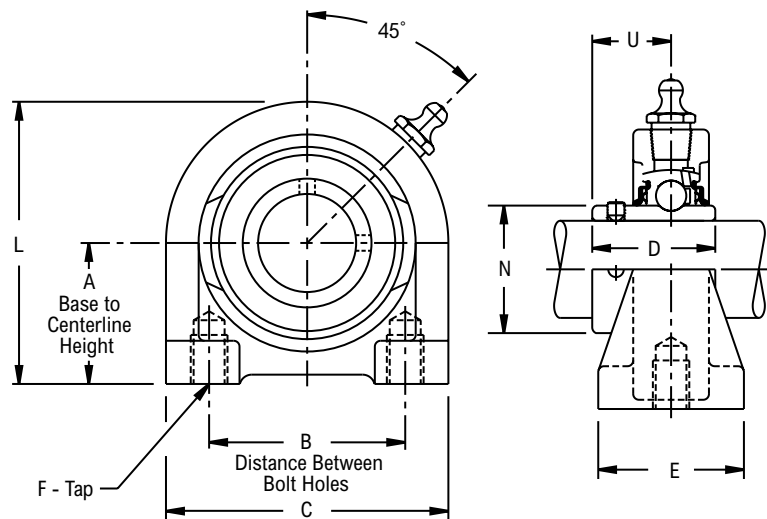
PT3S200**Interchange:** TBVSC, STB

Photo Shows a 2-Bolt Ball Bearing Tapped Base Pillow Block

Product Features

- Corrosion-resistant powder coating
- Cast iron tapped base housing
- Broad range of sealing options
- Spring locking setscrew mount
- Alignable & relubricatable
- See Features and Benefits for additional info on pages 298 - 299.

**Bearing Dimensions**

Size Code	Shaft Diameter	Part Number	A Base to Centerline Height	B Distance Between Bolt Holes	F		C	D	E	L	U	Approx. Weight
					Depth	Tap						
203	1/2	PT3S2B08E♦♦ □Δ	1 5/16	2	1/2	3/8-16	2 7/8	63/64	1 5/16	2 13/32	4 1/64	1.06
	5/8	PT3S210E♦♦ □Δ										1.02
	1 1/16	PT3S211E♦♦ □Δ										1.00
204	3/4	PT3S212E♦♦ □Δ	1 5/16	2	1/2	3/8-16	2 7/8	1 1/8	1 1/2	2 19/32	3/4	1.20
	20.00	PT3S2M20E♦♦ □Δ										33.32
205	7/8	PT3S214E♦♦ □Δ	1 7/16	2	1/2	3/8-16	2 7/8	1 11/64	1 1/2	2 7/8	5 1/64	1.40
	1 5/16	PT3S215E♦♦ □Δ										1.37
	1	PT3S216E♦♦ □Δ										1.34
	25.00	PT3S2M25E♦♦ □Δ										36.52
206	1 1/8	PT3S218E♦♦ □Δ	1 11/16	3	5/8	7/16-14	4	1 11/32	1 1/2	3 5/16	6 1/64	2.35
	1 3/16	PT3S219E♦♦ □Δ										2.32
	1 1/4	PT3S2E20E♦♦ □Δ										2.29
	30.00	PT3S2M30E♦♦ □Δ										42.88
207	1 1/4	PT3S220E♦♦ □Δ	1 7/8	3 1/4	3/4	1/2-13	4 13/32	1 9/16	2	3 11/16	1 7/64	3.13
	1 3/8	PT3S222E♦♦ □Δ										3.03
	1 7/16	PT3S223E♦♦ □Δ										2.97
	35.00	PT3S2M35E♦♦ □Δ										47.62
208	1 1/2	PT3S224E♦♦ □Δ	1 15/16	3 1/2	3/4	1/2-13	4 5/8	1 21/32	1 7/8	3 15/16	1 11/64	3.67
	1 5/8	PT3S2E26E♦♦ □Δ										3.53
	40.00	PT3S2M40E♦♦ □Δ										49.22
209	1 5/8	PT3S226E♦♦ □Δ	2 1/8	3 3/4	7/8	1/2-13	5	1 49/64	2	4 1/4	1 15/64	4.75
	1 11/16	PT3S227E♦♦ □Δ										4.68
	1 3/4	PT3S228E♦♦ □Δ										4.61
210	1 7/8	PT3S230E♦♦ □Δ	2 1/4	4	7/8	5/8-11	5 7/16	1 13/16	2	4 1/2	1 17/64	5.66
	1 15/16	PT3S231E♦♦ □Δ										5.57
	2	PT3S2E32E♦♦ □Δ										5.48

Additional Notes

- Please call 1-866-REXNORD for availability
- Lubrication fitting tap size: for size code 203, 1/4 in-28 UNF; for all other size codes, 1/8 in PT
- Base to centerline tolerance, +/- .005 in (+/- 0.13 mm)
- Lip seals standard
- ♦ Available with E1 viton seals

Available with free running style seals, add suffix ♦ FF, □ HFF or Δ MHFF

For the Selection Guide, Load Ratings and Speed Limits, see the Link-Belt 200 Series Ball Bearing Engineering section on pages 302 - 310.

Note: Dimensions subject to change. Certified dimensions of ordered material furnished on request.

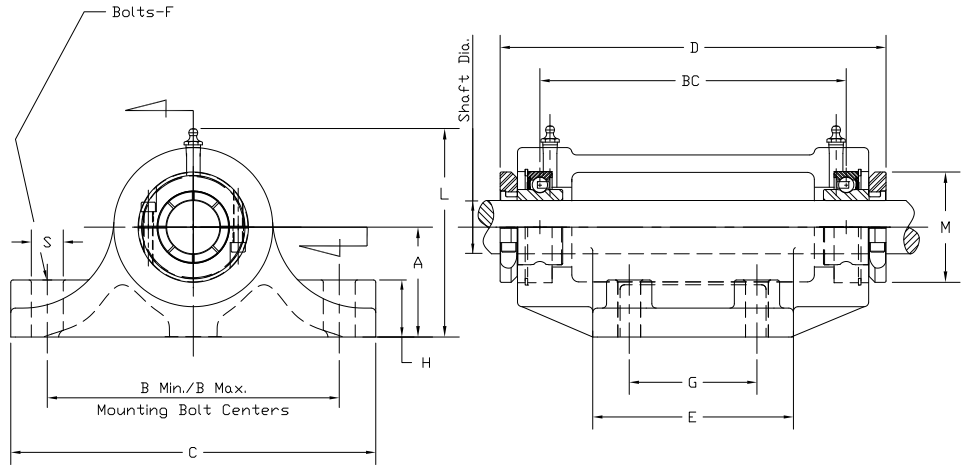
PPCL200

Interchange: F&BDL



Product Features

- Corrosion-resistant powder coating
- Cast iron housing
- Broad range of sealing options
- Wide inner ring for increased shaft stability
- Centrik-Lok CL shaft locking device
- Fan and Blower Interchange
- See Features and Benefits for additional info on pages 298 - 299.



Bearing Dimensions

Size Code	Shaft Diameter	Part Number	A Base to Centerline Height	B Distance Between Bolt Holes		BC	C	D	E	F	G	H	L	M	S	Approx. Weight
				Min	Max											
205	15/16	PPCL215N*■Δ	2 1/2	6 1/16	6 7/16	6 17/64	7 3/4	8	4 1/4	3/8	2 3/4	7/8	4 5/8	2 13/64	5/8	16
206	1 3/16	PPCL219N*■Δ	2 1/2	6 1/16	6 7/16	6 3/32	7 3/4	7 7/8	4 1/4	3/8	2 3/4	7/8	4 5/8	2 19/32	5/8	16
207	1 7/16	PPCL223N*■Δ	3	7 3/4	8 1/4	8 21/32	10	10 11/16	5 1/2	1/2	3 1/2	1	5 11/16	3 3/64	7/8	36
209	1 11/16	PPCL227N*■Δ	3	7 3/4	8 1/4	8 33/64	10	10 59/64	5 1/2	1/2	3 1/2	1	5 11/16	3 3/8	7/8	36
210	1 15/16	PPCL231N*■Δ	3 1/2	9 1/8	9 7/8	11 11/32	12	13 61/64	7	5/8	4 1/2	1 1/4	6 25/64	3 3/4	1 1/8	60
211	2 3/16	PPCL235N*■Δ	3 1/2	9 1/8	9 7/8	11 11/32	12	14	7	5/8	4 1/2	1 1/4	6 25/64	4 5/64	1 1/8	60
212	2 7/16	PPCL239N*■Δ	3 1/2	9 1/8	9 7/8	11 3/8	12	14 35/64	7	5/8	4 1/2	1 1/4	6 19/32	4 9/32	1 1/8	65

Additional Notes

Please call 1-866-REXNORD for availability
 Lubrication fitting tap size: 1/8 in PT
 Base to centerline tolerance, +.000 in/- .010 in
 Insert bearing part numbers CLB200XNL, where 00 should be replaced by the shaft size in the part number
 * N lip seals standard

■ Available with H labyrinth seals
 Δ Available with E3 triple lip seals
 For the Selection Guide, Load Ratings and Speed Limits, see the Link-Belt 200 Series Ball Bearing Engineering section on pages 302 - 310.
 Note: Dimensions subject to change. Certified dimensions of ordered material furnished on request.

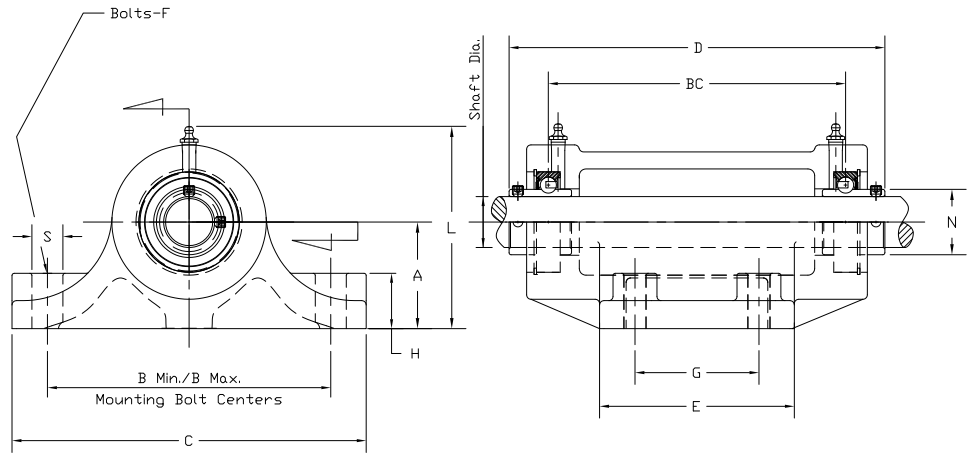
PPU200

Interchange: F&BCC, DRNR



Product Features

- Corrosion-resistant powder coating
- Cast iron housing
- Broad range of sealing options
- Wide inner ring for increased shaft stability
- Spring locking setscrew mount
- Fan and Blower Interchange
- See Features and Benefits for additional info on pages 298 - 299.



Bearing Dimensions

Size Code	Shaft Diameter	Part Number	A Base to Centerline Height	B Distance Between Bolt Holes		BC	C	D	E	F	G	H	L	N	S	Approx. Weight
				Min	Max											
205	15/16	PPU215N* \blacksquare Δ	2 1/2	6 1/16	6 7/16	6 17/64	7 3/4	7 7/8	4 1/4	3/8	2 3/4	7/8	4 5/8	1.313	5/8	16
206	1 3/16	PPU219N* \blacksquare Δ	2 1/2	6 1/16	6 7/16	6 3/32	7 3/4	8	4 1/4	3/8	2 3/4	7/8	4 5/8	1.587	5/8	16
207	1 7/16	PPU223N* \blacksquare Δ	3	7 3/4	8 1/4	8 21/32	10	10 7/8	5 1/2	1/2	3 1/2	1	5 11/16	1.847	7/8	36
209	1 11/16	PPU227N* \blacksquare Δ	3	7 3/4	8 1/4	8 33/64	10	11	5 1/2	1/2	3 1/2	1	5 11/16	2.281	7/8	36
210	1 15/16	PPU231N* \blacksquare Δ	3 1/2	9 1/8	9 7/8	11 11/32	12	13 7/8	7	5/8	4 1/2	1 1/4	6 25/64	2.475	1 1/8	60
211	2 3/16	PPU235N* \blacksquare Δ	3 1/2	9 1/8	9 7/8	11 11/32	12	14 5/32	7	5/8	4 1/2	1 1/4	6 25/64	2.749	1 1/8	60
212	2 7/16	PPU239N* \blacksquare Δ	3 1/2	9 1/8	9 7/8	11 3/8	12	14 1/2	7	5/8	4 1/2	1 1/4	6 19/32	3.012	1 1/8	65

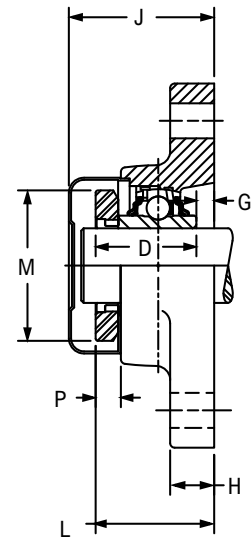
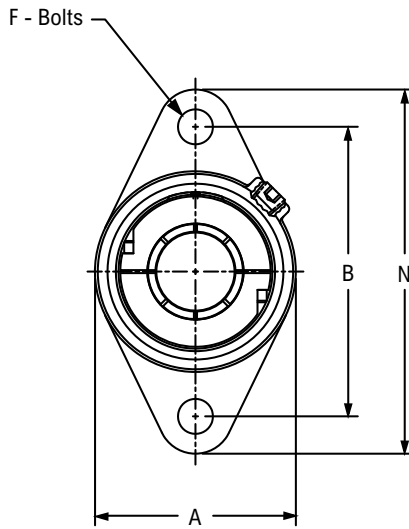
Additional Notes

- Please call 1-866-REXNORD for availability
- Lubrication fitting tap size 1/8 in PT
- Base to centerline tolerance, +.000 in/-0.010 in
- Insert bearing part numbers UB200XNL, where 00 should be replaced by the shaft size in the part number
- *N lip seals standard

- \blacksquare Available with H labyrinth seals
- Δ Available with E3 triple lip seals
- For the Selection Guide, Load Ratings and Speed Limits, see the Link-Belt 200 Series Ball Bearing Engineering section on pages 302 - 310.
- Note: Dimensions subject to change. Certified dimensions of ordered material furnished on request.

FX3CL200

Interchange: F2BDL, GRFT200, SFT-T



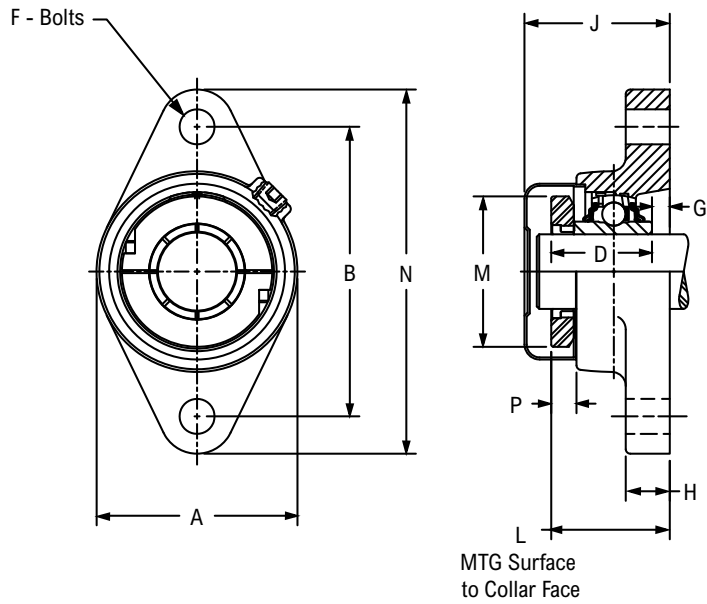
Product Features

- Corrosion-resistant powder coating
- Cast iron housing
- Broad range of sealing options
- Wide inner ring for increased shaft stability
- Alignable & relubricatable
- See Features and Benefits for additional info on pages 298 - 299.

Bearing Dimensions

Size Code	Shaft Diameter	Part Number	B Distance Between Bolt Holes	L Mounting Surface to Collar Face	A	D	F Bolts	G	H	J	M	N	P	Approx. Weight
203	1/2	FX3CL2B08N* ■	3	1 1/4	2 1/8	1 3/32	3/8	5/32	1/2	1 25/32	1 5/8	3 7/8	1/4	0.90
	5/8	FX3CL210N* ■												
	11/16	FX3CL211N* ■												
204	3/4	FX3CL212N* ■	3 17/32	1 9/16	2 7/16	1 11/32	3/8	13/64	9/16	2 1/16	1 59/64	4 13/32	3/8	1.20
	20.00	FX3CL2M20N* ■												
205	7/8	FX3CL214N* ■	3 57/64	1 17/32	2 11/16	1 3/8	7/16	3/16	19/32	2 1/16	2 5/64	4 29/32	3/8	1.60
	15/16	FX3CL215N* ▲												
	1	FX3CL216N* ▲												
	25.00	FX3CL2M25N* ▲	98.82	38.90	68.30	34.80	10.00	4.80	15.10	52.30	52.83	124.60	9.53	0.72
206	1	FX3CL2B16N* ▲	4 19/32	1 47/64	3 3/16	1 9/16	7/16	11/64	19/32	2 1/4	2 15/32	5 19/32	27/64	2.40
	1 1/8	FX3CL218N* ▲												
	1 3/16	FX3CL219N* ▲												
	1 1/4	FX3CL2E20N* ▲												
	30.00	FX3CL2M30N* ▲	116.68	43.90	81.00	39.62	10.00	4.40	15.10	57.20	62.48	142.10	10.72	1.08
207	1 3/16	FX3CL2B19N* ▲	5 1/8	1 29/32	3 5/8	1 3/4	1/2	5/32	5/8	2 25/64	2 7/8	6 1/8	1/2	3.00
	1 1/4	FX3CL220N* ▲												
	1 3/8	FX3CL222N* ▲												
	1 7/16	FX3CL223N* ▲												
	35.00	FX3CL2M35N* ▲	130.18	48.30	92.10	44.45	12.00	4.00	15.90	60.70	73.15	155.60	12.70	1.35
208	1 7/16	FX3CL2B23N* ▲	5 21/32	2 1/8	4	1 15/16	1/2	11/64	5/8	2 37/64	3 3/64	6 25/32	35/64	4.20
	1 1/2	FX3CL224N* ▲												
	1 5/8	FX3CL2E26N* ▲												
	40.00	FX3CL2M40N* ▲	143.67	53.90	101.60	49.28	12.00	4.40	15.90	65.50	77.47	172.20	13.72	1.90
209	1 1/2	FX3CL2B24N* ▲	5 27/32	2 1/8	4 1/4	1 61/64	1/2	7/64	5/8	2 19/32	3 17/64	7 3/32	33/64	5.10
	1 5/8	FX3CL226N* ▲												
	1 11/16	FX3CL227N* ▲												
	1 3/4	FX3CL228N* ▲												
	45.00	FX3CL2M45N* ▲	148.30	53.90	108.00	49.53	12.00	2.80	15.90	65.80	82.80	180.20	13.21	2.30
210	1 11/16	FX3CL2B27N* ▲	6 3/16	2 7/16	4 9/16	2 5/64	9/16	19/64	3/4	2 59/64	3 5/8	7 7/16	39/64	6.30
	1 3/4	FX3CL2B28N* ▲												
	1 7/8	FX3CL230N* ▲												
	1 15/16	FX3CL231N* ▲												

Continued...



Continued...

Bearing Dimensions

Size Code	Shaft Diameter	Part Number	B Distance Between Bolt Holes	L Mounting Surface to Collar Face	A	D	F Bolts	G	H	J	M	N	P	Approx. Weight
210	2	FX3CL2E32N* Δ ■	6 ³ / ₁₆	2 ⁷ / ₁₆	4 ⁹ / ₁₆	2 ⁵ / ₆₄	⁹ / ₁₆	¹⁹ / ₆₄	³ / ₄	2 ⁵⁹ / ₆₄	3 ⁵ / ₈	7 ⁷ / ₁₆	³⁹ / ₆₄	6.30
	50.00	FX3CL2M50N* Δ ■	157.16	62.00	115.90	52.58	14.00	7.50	19.00	75.00	92.20	188.90	15.24	2.84
211	1 ¹⁵ / ₁₆	FX3CL2B31N* Δ ■	7 ¹ / ₄	2 ²¹ / ₃₂	5	2 ¹⁵ / ₆₄	⁵ / ₈	¹³ / ₃₂	¹⁵ / ₁₆	3 ¹¹ / ₆₄	3 ²⁹ / ₃₂	8 ¹ / ₂	²¹ / ₃₂	7.40
	2	FX3CL232N* Δ ■												
	2 ³ / ₁₆	FX3CL235N* Δ ■												
	2 ¹ / ₄	FX3CL2E36N* Δ ■												
55.00	FX3CL2M55N* Δ ■	184.15	67.30	127.00	56.90	16.00	10.30	20.60	80.50	99.31	215.90	16.51	3.33	

Additional Notes

Please call 1-866-REXNORD for availability
 Lubrication fitting tap size: for size code 203-204, 1/4 in-28 UNF; for all other size codes, 1/8 in PT
 * N lip seals standard
 ■ Available with H labyrinth seals
 Δ Available with E3 triple lip seals

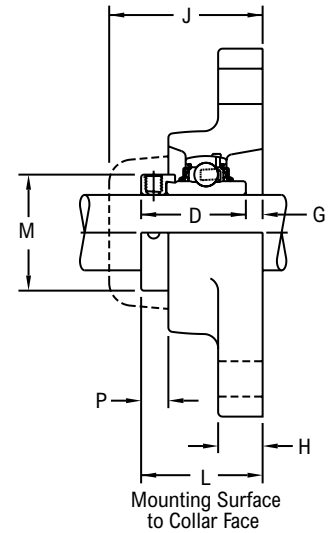
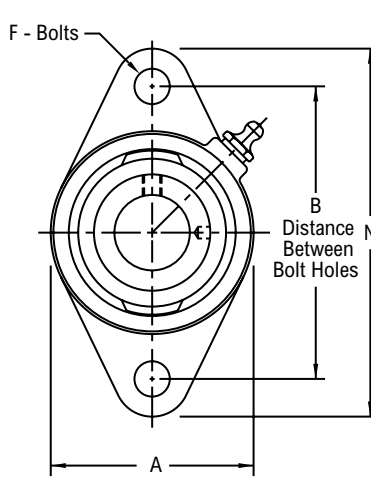
Nickel plated housings available, add suffix K75
 For the Selection Guide, Load Ratings and Speed Limits, see the Link-Belt 200 Series Ball Bearing Engineering section on pages 302 - 310.
 Note: Dimensions subject to change. Certified dimensions of ordered material furnished on request.

FX3Y200

Interchange: F2BSXR, FYT-WF, HCFTS200, RCJT



Photo Shows a 2-Bolt Ball Bearing Flanged Unit



Product Features

- Corrosion-resistant powder coating
- Cast iron housing
- Broad range of sealing options
- Wide inner ring for increased shaft stability
- Eccentric cam locking device
- Alignable & relubricatable
- See Features and Benefits for additional info on pages 298 - 299.

Bearing Dimensions

Size Code	Shaft Diameter	Part Number	B Distance Between Bolt Holes	L Mounting Surface to Collar Face	A	D	F Bolts	G	H	J	M	N	P	Approx. Weight
203	1/2	FX3Y2B08N*■	3	1 17/32	2 1/8	1 15/32	3/8	1/16	1/2	1 25/32	1 1/8	3 7/8	33/64	1.00
	5/8	FX3Y210N*■												
	11/16	FX3Y211N*■												
204	3/4	FX3Y212N*■	3 17/32	1 51/64	2 7/16	1 23/32	3/8	1/16	9/16	2 1/64	1 5/16	4 13/32	37/64	1.30
	7/8	FX3Y214N*△												
205	15/16	FX3Y215N*△	3 57/64	1 13/16	2 11/16	1 3/4	7/16	1/16	19/32	2	1 1/2	4 29/32	35/64	1.70
	1	FX3Y216N*△												
206	1 1/8	FX3Y218N*△	4 19/32	1 31/32	3 3/16	1 29/32	7/16	1/16	19/32	2 15/64	1 3/4	5 19/32	21/32	2.50
	1 3/16	FX3Y219N*△												
	1 1/4	FX3Y2E20N*■												
207	1 1/4	FX3Y220N*△	5 1/8	2 5/64	3 5/8	2 1/64	1/2	1/16	5/8	2 23/64	2 3/16	6 1/8	11/16	3.30
	1 3/8	FX3Y222N*△												
	1 7/16	FX3Y223N*△												
208	1 1/2	FX3Y224N*△	5 21/32	2 9/32	4	2 7/32	1/2	1/16	5/8	2 35/64	2 3/8	6 25/32	45/64	4.50
	1 5/8	FX3Y226N*△												
209	1 11/16	FX3Y227N*△	5 27/32	2 9/32	4 1/4	2 7/32	1/2	1/16	5/8	2 9/16	2 1/2	7 3/32	11/16	5.40
	1 3/4	FX3Y228N*△												
	1 15/16	FX3Y231N*△												
210	2	FX3Y2E32N*■	6 3/16	2 5/8	4 9/16	2 15/32	9/16	5/32	3/4	2 57/64	2 3/4	7 7/16	25/32	6.60
	2	FX3Y232N*△												
211	2 1/4	FX3Y235N*△	7 1/4	2 31/32	5	2 13/16	5/8	5/32	13/16	3 1/4	3	8 1/2	31/32	8.00
	2 3/16	FX3Y235N*△												

Additional Notes

Please call 1-866-REXNORD for availability
 Lubrication fitting tap size: for size code 203, 1/4 in-28 UNF: for all other size codes, 1/8 in PT

* N lip seals standard

- Available with H labyrinth seals
- △ Available with E3 triple lip seals

Nickel plated housings available, add suffix K75

For the Selection Guide, Load Ratings and Speed Limits, see the Link-Belt 200 Series Ball Bearing Engineering section on pages 302 - 310.

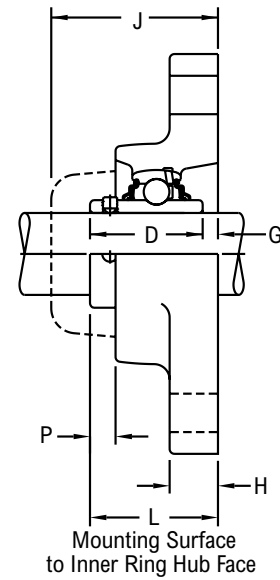
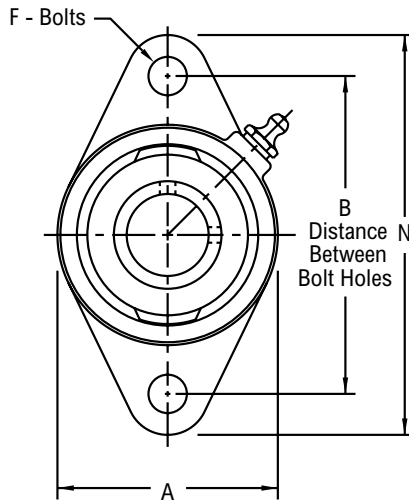
Note: Dimensions subject to change. Certified dimensions of ordered material furnished on request.

FX3U200

Interchange: F2BSC, FYT-TF, UCFT200, SFT, YCJT



Photo Shows a 2-Bolt Ball Bearing Flanged Unit



Product Features

- Corrosion-resistant powder coating
- Cast iron housing
- Broad range of sealing options
- Wide inner ring for increased shaft stability
- Spring locking setscrew mount
- Alignable & relubricatable
- See Features and Benefits for additional info on pages 298 - 299.

Size Code	Shaft Diameter	Part Number	B Distance Between Bolt Holes	L Mounting Surface to Inner Ring Hub Face	A	D	F Bolts	G	H	J	N	P	Approx. Weight
203	1/2	FX3U2B08N*■	3	1 1/4	2 1/8	1 3/32	3/8	5/32	1/2	1 25/32	3 7/8	1/4	0.90
	5/8	FX3U210N*■											
	11/16	FX3U211N*■											
	17.00	FX3U2M17N*■	76.20	31.80	54.00	27.78	10.00	4.00	12.70	45.20	98.40	6.40	0.41
204	3/4	FX3U212N*■	3 17/32	1 31/64	2 7/16	1 9/32	3/8	13/64	9/16	2 1/64	4 13/32	9/32	1.20
	20.00	FX3U2M20N*■	89.69	37.70	61.90	32.54	10.00	5.20	14.30	51.20	111.90	7.10	0.54
205	7/8	FX3U214N*△	3 57/64	1 35/64	2 11/16	1 23/64	7/16	3/16	19/32	2	4 29/32	19/64	1.60
	15/16	FX3U215N*△											
	1	FX3U216N*△											
	25.00	FX3U2M25N*△											
206	1 1/8	FX3U218N*△	4 19/32	1 47/64	3 3/16	1 9/16	7/16	11/64	19/32	2 15/64	5 19/32	27/64	2.40
	1 3/16	FX3U219N*△											
	1 1/4	FX3U2E20N*△											
	30.00	FX3U2M30N*△											
207	1 1/4	FX3U220N*△	5 1/8	1 59/64	3 5/8	1 49/64	1/2	5/32	5/8	2 23/64	6 1/8	33/64	3.00
	1 3/8	FX3U222N*△											
	1 7/16	FX3U223N*△											
	35.00	FX3U2M35N*△											
208	1 1/2	FX3U224N*△	5 21/32	2 5/64	4	1 29/32	1/2	11/64	5/8	2 35/64	6 25/32	1/2	4.20
	40.00	FX3U2M40N*△	143.67	52.80	101.60	48.42	12.00	4.40	15.90	64.70	172.20	12.70	1.90
209	1 5/8	FX3U226N*△	5 27/32	2 9/64	4 1/4	2 1/32	1/2	7/64	5/8	2 9/16	7 3/32	35/64	5.10
	1 11/16	FX3U227N*△											
	1 3/4	FX3U228N*△											
	45.00	FX3U2M45N*△											
210	1 15/16	FX3U231N*△	6 3/16	2 25/64	4 9/16	2 3/32	9/16	19/64	3/4	2 57/64	7 7/16	9/16	6.30
	2	FX3U2E32N*△											
	50.00	FX3U2M50N*△											
211	2	FX3U232N*△	7 1/4	2 21/32	5	2 1/4	5/8	13/32	13/16	3 1/4	8 1/2	21/32	7.40
	2 3/16	FX3U235N*△											
	55.00	FX3U2M55N*△											

Additional Notes

Please call 1-866-REXNORD for availability
 Lubrication fitting tap size: for size code 203, 1/4 in-28 UNF; for all other size codes, 1/8 in PT

* N lip seals standard

- Available with H labyrinth seals
- △ Available with E3 triple lip seals

Nickel plated housings available, add suffix K75

For the Selection Guide, Load Ratings and Speed Limits, see the Link-Belt 200 Series Ball Bearing Engineering section on pages 302 - 310.

Note: Dimensions subject to change. Certified dimensions of ordered material furnished on request.

FX3W200

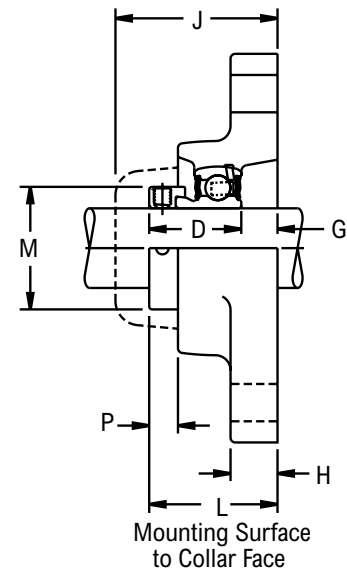
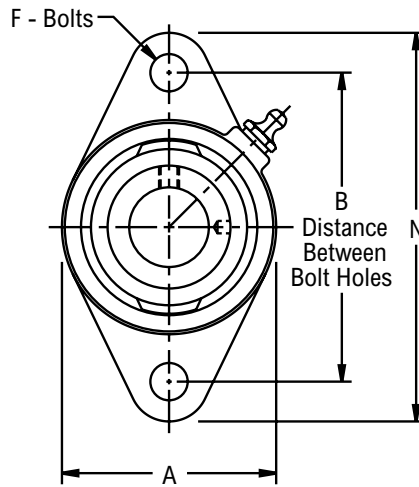
Interchange: F2BSXV, FYT-FM, FHFT200-G, VF2E100, VCJT



Photo Shows a 2-Bolt Ball Bearing Flanged Unit

Product Features

- Corrosion-resistant powder coating
- Cast iron housing
- Eccentric cam locking device
- Alignable & relubricatable
- See Features and Benefits for additional info on pages 298 - 299.



Bearing Dimensions

Size Code	Shaft Diameter	Part Number	B Distance Between Bolt Holes	L Mounting Surface to Collar Face	A	D	F Bolts	G	H	J	M	N	P	Approx. Weight
203	1/2	FX3W2B08E▲	3	1 31/64	2 1/8	1 1/8	3/8	23/64	1/2	1 25/32	1 1/8	3 7/8	15/32	0.60
	5/8	FX3W210E▲												
204	3/4	FX3W212E▲	3 17/32	1 21/32	2 7/16	1 7/32	3/8	7/16	9/16	2 1/64	1 9/16	4 13/32	29/64	1.00
205	7/8	FX3W214E▲	3 57/64	1 43/64	2 11/16	1 7/32	7/16	29/64	19/32	2	1 1/2	4 29/32	27/64	1.40
	15/16	FX3W215E▲												
	1	FX3W216E▲												
206	1 1/8	FX3W218E▲	4 19/32	1 53/64	3 3/16	1 13/32	7/16	27/64	19/32	2 15/64	1 3/4	5 19/32	33/64	2.10
	1 3/16	FX3W219E▲												
	1 1/4	FX3W220E▲												
207	1 1/4	FX3W220E▲	5 1/8	1 31/32	3 5/8	1 17/32	1/2	7/16	5/8	2 23/64	2 3/16	6 1/8	9/16	3.00
	1 3/8	FX3W222E▲												
	1 7/16	FX3W223E▲												
208	1 1/2	FX3W224E▲	5 21/32	2 3/16	4	1 23/32	1/2	15/32	5/8	2 35/64	2 3/8	6 25/32	39/64	4.00
209	1 5/8	FX3W226E▲	5 27/32	2 3/16	4 1/4	1 23/32	1/2	15/32	5/8	2 9/16	2 1/2	7 3/32	19/32	4.70
	1 11/16	FX3W227E▲												
	1 3/4	FX3W228E▲												
210	1 15/16	FX3W231E▲	6 3/16	2 13/32	4 9/16	1 23/32	9/16	11/16	3/4	2 57/64	2 3/4	7 7/16	9/16	5.70
	2	FX3W232E▲												

Additional Notes

- Please call 1-866-REXNORD for availability
- Lubrication fitting tap size: for size code 203, 1/4 in-28 UNF: for all other size codes, 1/8 in PT
- ▲ E lip seals standard
- Nickel plated housings available, add suffix K75

For the Selection Guide, Load Ratings and Speed Limits, see the Link-Belt 200 Series Ball Bearing Engineering section on pages 302 - 310.
Note: Dimensions subject to change. Certified dimensions of ordered material furnished on request.

FX3S200

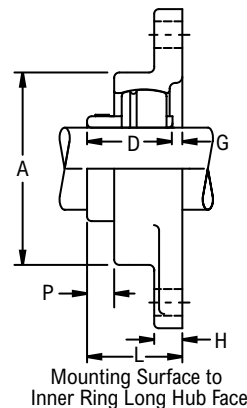
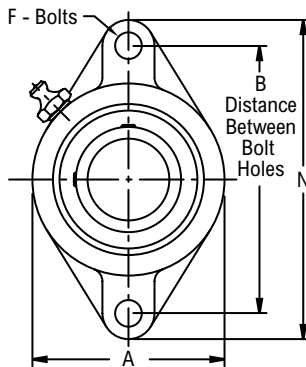
Interchange: F2BVSC, FYT-RM, FHSFT200-G, VF2S100, SCJT



Photo Shows a 2-Bolt Ball Bearing Flanged Unit

Product Features

- Corrosion-resistant powder coating
- Cast iron housing
- Broad range of sealing options
- Spring locking setscrew mount
- Alignable & relubricatable
- See Features and Benefits for additional info on pages 298 - 299.



Bearing Dimensions

Size Code	Shaft Diameter	Part Number	B Distance Between Bolt Holes	L Mounting Surface to Inner Ring Long Hub Face	A	D	F Bolts	G	H	N	P	Approx. Weight
203	1/2	FX3S2B08E♦♦ □Δ	3	1 1/8	2 5/16	63/64	3/8	9/64	3/8	3 7/8	5/16	0.81
	5/8	FX3S210E♦♦ □Δ										0.77
	11/16	FX3S211E♦♦ □Δ										0.75
204	3/4	FX3S212E♦♦ □Δ	3 17/32	1 9/32	2 3/8	1 1/8	3/8	9/64	7/16	4 13/32	13/32	0.91
	20.00	FX3S2M20E♦♦ □Δ	89.69	32.20	60.30	28.58	10.00	3.60	11.10	111.90	10.30	0.40
205	7/8	FX3S214E♦♦ □Δ	3 57/64	1 5/16	2 3/4	1 11/64	7/16	1/8	1/2	4 7/8	7/16	1.32
	15/16	FX3S215E♦♦ □Δ										1.29
	1	FX3S216E♦♦ □Δ										1.26
	25.00	FX3S2M25E♦♦ □Δ										98.82
206	1 1/8	FX3S218E♦♦ □Δ	4 19/32	1 1/2	3 3/16	1 11/32	7/16	9/64	17/32	5 9/16	9/16	1.79
	1 3/16	FX3S219E♦♦ □Δ										1.75
	1 1/4	FX3S2E20E♦♦ □Δ										1.71
	30.00	FX3S2M30E♦♦ □Δ										116.68
207	1 1/4	FX3S220E♦♦ □Δ	5 1/8	1 23/32	3 11/16	1 9/16	1/2	9/64	9/16	6 1/8	21/32	2.69
	1 3/8	FX3S222E♦♦ □Δ										2.59
	1 7/16	FX3S223E♦♦ □Δ										2.54
	35.00	FX3S2M35E♦♦ □Δ										130.18
208	1 1/2	FX3S224E♦♦ □Δ	5 21/32	1 13/16	4 1/8	1 21/32	1/2	5/32	9/16	6 3/4	21/32	3.47
	1 5/8	FX3S2E26E♦♦ □Δ										3.33
	40.00	FX3S2M40E♦♦ □Δ										143.67
209	1 5/8	FX3S226E♦♦ □Δ	5 27/32	1 29/32	4 3/8	1 49/64	9/16	1/8	9/16	7 1/16	23/32	3.46
	1 11/16	FX3S227E♦♦ □Δ										3.39
	1 3/4	FX3S228E♦♦ □Δ										3.32
	1 7/8	FX3S230E♦♦ □Δ										4.43
210	1 15/16	FX3S231E♦♦ □Δ	6 3/16	1 29/32	4 9/16	1 13/16	9/16	7/64	5/8	7 15/32	23/32	4.34
	2	FX3S2E32E♦♦ □Δ										4.25
	2	FX3S232E♦♦ □Δ										6.04
211	2 3/16	FX3S235E♦♦ □Δ	7 1/4	2	5	1 13/16	5/8	11/64	23/32	8 1/2	11/16	5.74
	2 1/4	FX3S2E36E♦♦ □Δ										5.64

Additional Notes

- Please call 1-866-REXNORD for availability
- Lubrication fitting tap size: for size codes 203 thru 205, 1/4-28 UNF; for all other size codes, 1/8 in PT
- Lip seals standard
- ♦ Available with E1 viton seals
- Available with free running style seals, add suffix ♦ FF, □ HFF or Δ MHFF

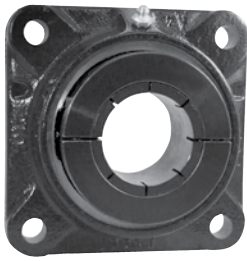
Nickel plated housings available, add suffix K75

For the Selection Guide, Load Ratings and Speed Limits, see the Link-Belt 200 Series Ball Bearing Engineering section on pages 302 - 310.

Note: Dimensions subject to change. Certified dimensions of ordered material furnished on request.

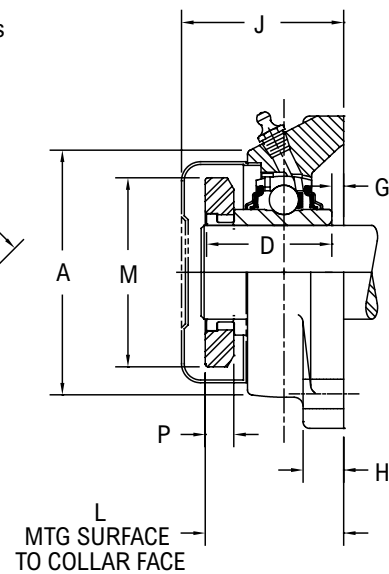
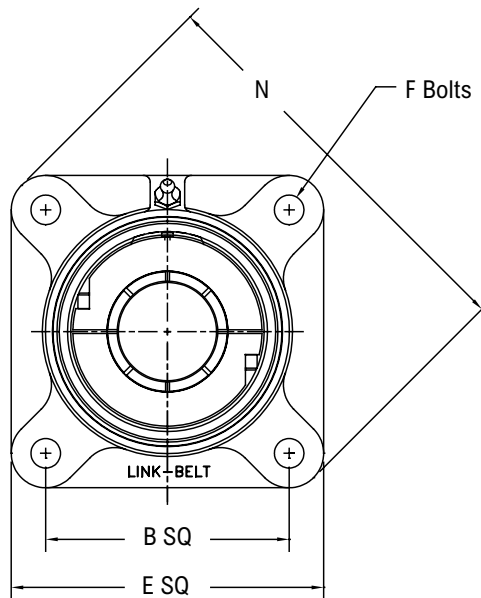
F3CL200

Interchange: F4BDL, GRF200, SF-T



Product Features

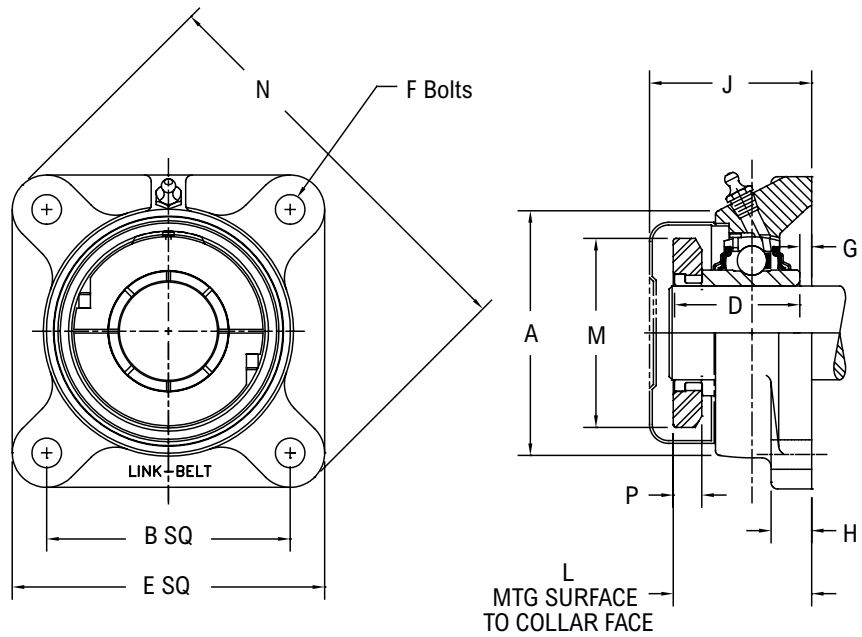
- Corrosion-resistant powder coating
- Cast iron housing
- Broad range of sealing options
- Wide inner ring for increased shaft stability
- Alignable & lubricatable
- See Features and Benefits for additional info on pages 298 - 299.



Bearing Dimensions

Size Code	Shaft Diameter	Part Number	B Distance Between Bolt Holes	L Mounted Surface to Collar Face	A	D	E	F Bolts	G	H	J	M	N	P	Approx. Weight
204	³ / ₄	F3CL212N*	2 1/2	1 9/16	2 7/16	1 11/32	3 3/8	3/8	13/64	9/16	2 1/16	1 59/64	4 13/32	3/8	1.50
	20.00	F3CL2M20N*	63.50	39.90	61.90	34.04	85.70	10.00	5.20	14.30	52.30	48.77	111.90	9.53	0.68
205	⁷ / ₈	F3CL214N*	2 3/4	1 17/32	2 11/16	1 3/8	3 3/4	7/16	3/16	19/32	2 1/16	2 5/64	4 29/32	3/8	1.90
	¹⁵ / ₁₆	F3CL215N*													
	1	F3CL216N*													
	25.00	F3CL2M25N*	69.85	38.90	68.30	34.80	95.20	10.00	4.80	15.10	52.30	52.83	124.60	9.53	0.86
206	1	F3CL2B16N*	3 1/4	1 47/64	3 3/16	1 9/16	4 1/4	7/16	11/64	19/32	2 1/4	2 15/32	5 19/32	27/64	3.10
	¹ / ₈	F3CL218N*													
	¹ / ₁₆	F3CL219N*													
	¹ / ₄	F3CL2E20N*													
	30.00	F3CL2M30N*	82.55	43.90	81.00	39.62	108.00	10.00	4.40	15.10	57.20	62.48	142.10	10.72	1.40
207	³ / ₁₆	F3CL2B19N*	3 5/8	1 29/32	3 5/8	1 3/4	4 5/8	1/2	5/32	5/8	2 25/64	2 7/8	6 1/8	1/2	3.90
	¹ / ₄	F3CL220N*													
	¹ / ₈	F3CL222N*													
	¹ / ₁₆	F3CL223N*													
	35.00	F3CL2M35N*	92.08	48.30	92.10	44.45	117.50	12.00	4.00	15.90	60.70	73.15	155.60	12.70	1.75
208	¹ / ₁₆	F3CL2B23N*	4	2 1/8	4	1 15/16	5 1/8	1/2	11/64	5/8	2 37/64	3 3/64	6 25/32	35/64	5.00
	¹ / ₂	F3CL224N*													
	¹ / ₈	F3CL2E26N*													
	40.00	F3CL2M40N*	101.60	53.90	101.60	49.28	130.20	12.00	4.40	15.90	65.50	77.47	172.20	13.72	2.25
209	¹ / ₂	F3CL2B24N*	4 1/8	2 1/8	4 1/4	1 61/64	5 3/8	1/2	7/64	5/8	2 19/32	3 17/64	7 3/32	33/64	6.20
	¹ / ₈	F3CL226N*													
	¹ / ₁₆	F3CL227N*													
	¹ / ₄	F3CL228N*													
	45.00	F3CL2M45N*	104.78	53.90	108.00	49.53	136.50	12.00	2.80	15.90	65.80	82.80	180.20	13.21	2.80
210	¹ / ₁₆	F3CL2B27N*	4 3/8	2 23/64	4 1/2	2 5/64	5 5/8	1/2	13/64	3/4	2 53/64	3 5/8	7 7/16	5/8	6.90
	¹ / ₄	F3CL2B28N*													
	¹ / ₈	F3CL230N*													
	¹ / ₁₆	F3CL231N*													
	2	F3CL2E32N*													
	50.00	F3CL2M50N*	111.12	59.70	114.30	52.58	142.90	12.00	5.20	19.00	71.90	92.20	188.90	15.75	3.10

Continued...



Continued...

Bearing Dimensions

Size Code	Shaft Diameter	Part Number	B Distance Between Bolt Holes	L Mounted Surface to Collar Face	A	D	E	F Bolts	G	H	J	M	N	P	Approx. Weight
211	1 ¹⁵ / ₁₆	F3CL2B31N*Δ	5 ¹ / ₈	2 ⁹ / ₁₆	4 ¹⁵ / ₁₆	2 ¹⁵ / ₆₄	6 ³ / ₈	5/ ₈	5/ ₁₆	29/ ₃₂	3 ⁵ / ₆₄	3 ²⁹ / ₃₂	8 ¹ / ₂	5/ ₈	8.90
	2	F3CL232N*Δ													
	2 ³ / ₁₆	F3CL235N*Δ													
	2 ¹ / ₄	F3CL2E36N*Δ													
	55.00	F3CL2M55N*Δ	130.18	65.00	125.40	56.75	161.90	16.00	7.90	23.00	78.20	99.22	215.90	15.75	4.00
212	2 ³ / ₁₆	F3CL2B35N*Δ	5 ⁵ / ₈	2 ⁵⁶ / ₆₄	5 ³ / ₈	2 ¹⁹ / ₃₂	6 ⁷ / ₈	5/ ₈	11/ ₃₂	15/ ₁₆	3 ²⁹ / ₆₄	4 ³ / ₁₆	9 ⁷ / ₃₂	2 ¹ / ₃₂	11.90
	2 ¹ / ₄	F3CL236N*Δ													
	2 ³ / ₈	F3CL238N*Δ													
	2 ⁷ / ₁₆	F3CL239N*Δ													
	60.00	F3CL2M60N*Δ	142.88	72.60	136.50	65.88	174.60	16.00	8.70	23.80	85.30	106.36	234.20	16.76	5.35
213	2 ¹ / ₂	F3CL240N*Δ	5 ⁷ / ₈	2 ²⁷ / ₃₂	5 ⁷ / ₈	2 ³ / ₄	7 ³ / ₈	5/ ₈	3/ ₃₂	3/ ₄	3 ¹³ / ₆₄	4 ⁵¹ / ₆₄	9 ¹³ / ₁₆	5/ ₈	14.40
	2 ¹¹ / ₁₆	F3CL243N*Δ													
	65.00	F3CL2M65N*Δ													
215	2 ³ / ₄	F3CL244N*Δ	6	3	6	2 ⁵⁹ / ₆₄	7 ³ / ₄	3/ ₄	3/ ₃₂	3/ ₄	3 ³⁷ / ₆₄	5 ¹ / ₄	10 ¹ / ₄	11/ ₁₆	17.40
	2 ¹⁵ / ₁₆	F3CL247N*Δ													
	3	F3CL2E48N*Δ													
	75.00	F3CL2M75N*Δ													
217	3 ⁷ / ₁₆	F3CL255N*Δ	6 ³ / ₄	3 ¹¹ / ₁₆	6 ³ / ₄	3 ³⁹ / ₆₄	8 ⁹ / ₁₆	3/ ₄	3/ ₃₂	1	4 ²⁷ / ₆₄	5 ²³ / ₃₂	11 ³ / ₈	3/ ₄	25.70
	3 ¹ / ₂	F3CL2E56N*Δ													
	85.00	F3CL2M85N*Δ													

Additional Notes

Please call 1-866-REXNORD for availability
 Lubrication fitting tap size: for size code 203-205, 1/4 in-28 UNF; for all other size codes, 1/8 in PT

* N lip seals standard

■ Available with H labyrinth seals

Δ Available with E3 triple lip seals

Nickel plated housings available, add suffix K75

For the Selection Guide, Load Ratings and Speed Limits, see the Link-Belt 200 Series Ball Bearing Engineering section on pages 302 - 310.

Note: Dimensions subject to change. Certified dimensions of ordered material furnished on request.

F3Y200

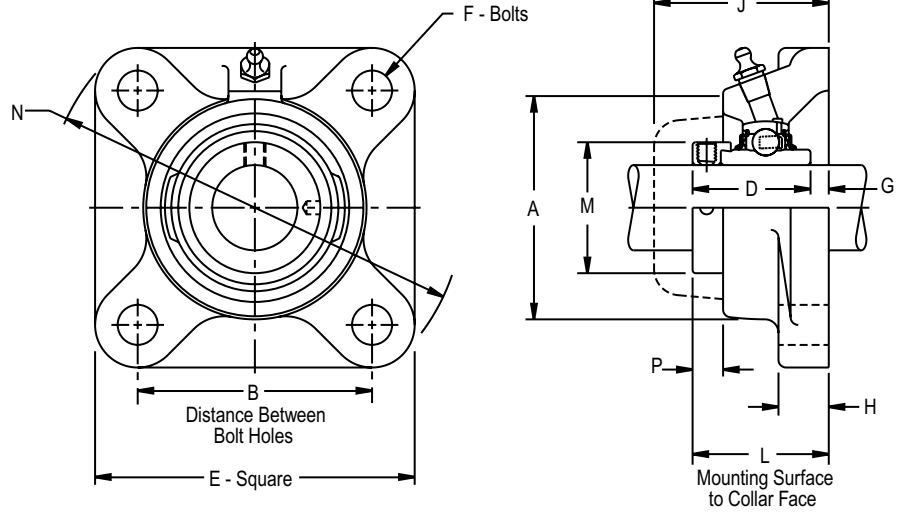
Interchange: F4BSXR, FY-WF, HCFS200, RCJ



Photo Shows a 4-Bolt Ball Bearing Flanged Unit

Product Features

- Corrosion-resistant powder coating
- Cast iron housing
- Broad range of sealing options
- Wide inner ring for increased shaft stability
- Eccentric cam locking device
- Alignable & relubricatable
- See Features and Benefits for additional info on pages 298 - 299.



Bearing Dimensions

Size Code	Shaft Diameter	Part Number	B Distance Between Bolt Holes	L Mounting Surface to Collar Face	A	D	E	F Bolts	G	H	J	M	N	P	Approx. Weight
204	$\frac{3}{4}$	F3Y212N *■	2 1/2	1 5/64	2 7/16	1 23/32	3 3/8	3/8	1/16	9/16	2 1/64	1 5/16	4 13/32	37/64	1.60
205	$\frac{7}{8}$	F3Y214N *■	2 3/4	1 13/16	2 11/16	1 3/4	3 3/4	7/16	1/16	19/32	2	1 1/2	4 29/32	35/64	2.00
	$\frac{15}{16}$	F3Y215N *■													
206	1	F3Y216N *■	3 1/4	1 31/32	3 3/16	1 29/32	4 1/4	7/16	1/16	19/32	2 15/64	1 3/4	5 19/32	21/32	3.20
	$1 \frac{1}{8}$	F3Y218N *■													
	$1 \frac{3}{16}$	F3Y219N *■													
207	$1 \frac{1}{4}$	F3Y220N *■	3 5/8	2 5/64	3 5/8	2 1/64	4 5/8	1/2	1/16	5/8	2 23/64	2 3/16	6 1/8	11/16	4.20
	$1 \frac{3}{8}$	F3Y222N *■													
	$1 \frac{7}{16}$	F3Y223N *■													
208	$1 \frac{1}{2}$	F3Y224N *■	4	2 9/32	4	2 7/32	5 1/8	1/2	1/16	5/8	2 35/64	2 3/8	6 25/32	45/64	5.30
	$1 \frac{5}{8}$	F3Y226N *■													
209	$1 \frac{11}{16}$	F3Y227N *■	4 1/8	2 9/32	4 1/4	2 7/32	5 3/8	1/2	1/16	5/8	2 9/16	2 1/2	7 3/32	11/16	6.50
	$1 \frac{3}{4}$	F3Y228N *■													
210	$1 \frac{15}{16}$	F3Y231N *■	4 3/8	2 17/32	4 1/2	2 15/32	5 5/8	1/2	1/16	3/4	2 13/16	2 3/4	7 7/16	51/64	7.20
	2	F3Y2E32N *■													
211	2	F3Y232N *■	5 1/8	2 7/8	4 15/16	2 13/16	6 3/8	5/8	1/16	29/32	3 11/64	3	8 1/2	15/16	9.50
	$2 \frac{3}{16}$	F3Y235N *■													
212	$2 \frac{1}{4}$	F3Y236N *■	5 5/8	3 1/8	5 3/8	3 1/16	6 7/8	5/8	1/16	15/16	3 25/64	3 5/16	9 7/32	15/16	12.50
	$2 \frac{3}{8}$	F3Y238N *■													
	$2 \frac{7}{16}$	F3Y239N *■													

Additional Notes

Please call 1-866-REXNORD for availability
 Lubrication fitting tap size: for size code 203, 1/4 in-28 UNF: for all other size codes, 1/8 in PT

- * N lip seals standard
- Available with H labyrinth seals
- ▲ Available with E3 triple lip seals

Nickel plated housings available, add suffix K75

For the Selection Guide, Load Ratings and Speed Limits, see the Link-Belt 200 Series Ball Bearing Engineering section on pages 302 - 310.

Note: Dimensions subject to change. Certified dimensions of ordered material furnished on request.

F3U200

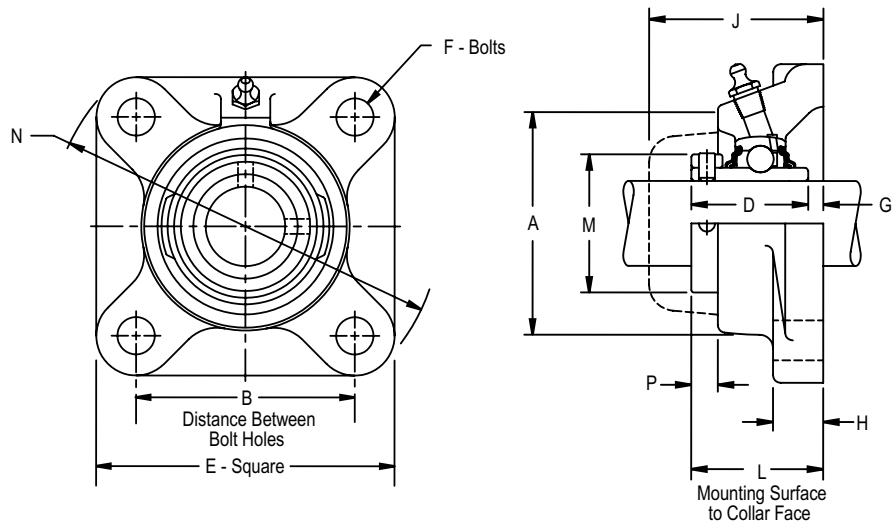
Interchange: F4BSC, FY-TF, UCF200, SF, YCJ



Photo Shows a 4-Bolt Ball Bearing Flanged Unit

Product Features

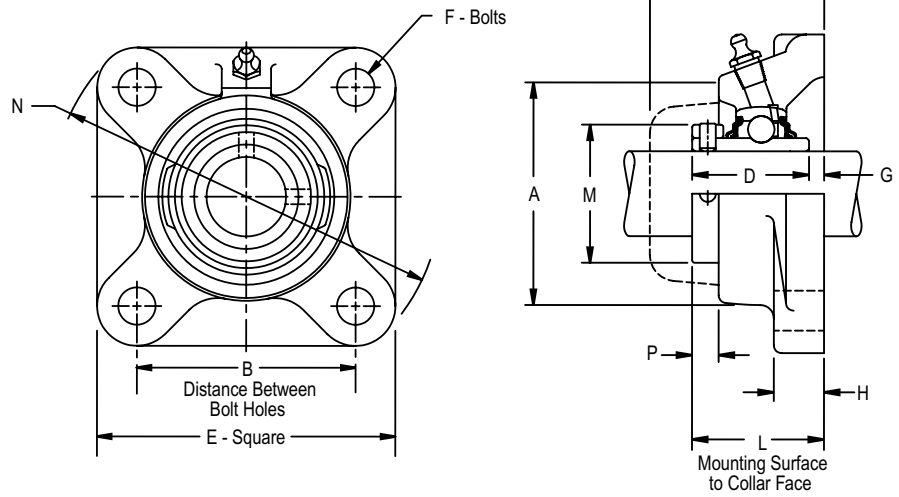
- Corrosion-resistant powder coating
 - Cast iron housing
 - Broad range of sealing options
 - Wide inner ring for increased shaft stability
 - Spring locking setscrew mount
 - Alignable & relubricatable
- See Features and Benefits for additional info on pages 298 - 299.



Bearing Dimensions

Size Code	Shaft Diameter	Part Number	B Distance Between Bolt Holes	L Mounting Surface to Collar Face	A	D	E	F Bolts	G	H	J	M	N	P	Approx. Weight
203	1/2	F3U2B08N *■	2 1/8	1 1/4	2 1/8	1 3/32	3	3/8	5/32	1/2	1 25/32	-	3 7/8	1/4	1.00
	5/8	F3U210N *■													
	11/16	F3U211N *■													
	17.00	F3U2M17N *■	53.98	31.80	54.00	27.78	76.20	10.00	4.00	12.70	45.20	-	98.40	6.40	0.45
204	3/4	F3U212N *■	2 1/2	1 31/64	2 7/16	1 9/32	3 3/8	3/8	13/64	9/16	2 1/64	-	4 13/32	9/32	1.50
	20.00	F3U2M20N *■	63.50	37.70	61.90	32.54	85.70	10.00	5.20	14.30	51.20	-	111.90	7.10	0.68
205	7/8	F3U214N *Δ■	2 3/4	1 35/64	2 11/16	1 23/64	3 3/4	7/16	3/16	19/32	2	-	4 29/32	19/64	1.90
	15/16	F3U215N *Δ■													
	1	F3U216N *Δ■													
	25.00	F3U2M25N *Δ■													
206	1 1/8	F3U218N *Δ■	3 1/4	1 47/64	3 3/16	1 9/16	4 1/4	7/16	11/64	19/32	2 15/64	-	5 19/32	7/16	3.10
	1 3/16	F3U219N *Δ■													
	1 1/4	F3U2E20N *Δ■													
	30.00	F3U2M30N *Δ■													
207	1 1/4	F3U220N *Δ■	3 5/8	1 59/64	3 5/8	1 49/64	4 5/8	1/2	5/32	5/8	2 23/64	-	6 1/8	33/64	3.90
	1 3/8	F3U222N *Δ■													
	1 7/16	F3U223N *Δ■													
	35.00	F3U2M35N *Δ■													
208	1 1/2	F3U224N *Δ■	4	2 5/64	4	1 29/32	5 1/8	1/2	11/64	5/8	2 35/64	-	6 25/32	1/2	5.00
	40.00	F3U2M40N *Δ■	101.60	52.80	101.60	48.42	130.20	12.00	4.40	15.90	64.70	-	172.20	12.70	2.25
209	1 5/8	F3U226N *Δ■	4 1/8	2 9/64	4 1/4	2 1/32	5 3/8	1/2	7/64	5/8	2 9/16	-	7 3/32	35/64	6.20
	1 11/16	F3U227N *Δ■													
	1 3/4	F3U228N *Δ■													
	45.00	F3U2M45N *Δ■													
210	1 15/16	F3U231N *Δ■	4 3/8	2 19/64	4 1/2	2 3/32	5 5/8	1/2	13/64	3/4	2 13/16	-	7 7/16	9/16	6.90
	2	F3U2E32N *Δ■													
	50.00	F3U2M50N *Δ■													
211	2	F3U232N *Δ■	5 1/8	2 9/16	4 15/16	2 1/4	6 3/8	5/8	5/16	29/32	3 11/64	-	8 1/2	5/8	8.90
	2 3/16	F3U235N *Δ■													
	55.00	F3U2M55N *Δ■													
212	2 1/4	F3U236N *Δ■	5 5/8	2 27/32	5 3/8	2 1/2	6 7/8	5/8	11/32	15/16	3 25/64	-	9 7/32	41/64	11.90
	2 3/8	F3U238N *Δ■													
	2 7/16	F3U239N *Δ■													
60.00	F3U2M60N *Δ■	142.88	72.20	136.50	63.50	174.60	16.00	8.70	23.80	86.10	-	234.20	16.30	5.35	

Continued...



Continued...

Bearing Dimensions

Size Code	Shaft Diameter	Part Number	B Distance Between Bolt Holes	L Mounting Surface to Collar Face	A	D	E	F Bolts	G	H	J	M	N	P	Approx. Weight
213	2 1/2	F3U240N *Δ	5 7/8	2 25/32	5 7/8	2 11/16	7 3/8	5/8	3/32	3/4	3 5/32	4 3/16	9 13/16	5/8	14.40
	2 11/16	F3U243N *Δ													
	65.00	F3U2M65N *Δ	149.22	70.60	149.20	68.26	187.30	16.00	2.40	19.00	80.20	106.40	249.20	15.90	6.50
215	2 3/4	F3U244N *Δ	6	2 31/32	6 3/8	2 7/8	7 3/4	3/4	3/32	3/4	3 3/8	4 9/8	10 1/4	11/16	17.40
	2 19/16	F3U247N *Δ													
	3	F3U2E48N *Δ													
	75.00	F3U2M75N *Δ	152.40	75.40	161.90	73.02	196.80	20.00	2.40	19.00	85.70	117.50	260.40	17.50	7.85
217	3 7/16	F3U255N *Δ	6 3/4	3 21/32	7 1/2	3 9/16	8 9/16	3/4	3/32	1	4 1/32	5 3/16	11 3/8	3/4	25.70
	3 1/2	F3U2E56N *Δ													
	85.00	F3U2M85N *Δ													

Additional Notes

Please call 1-866-REXNORD for availability
 Lubrication fitting tap size: for size code 203, 1/4 in-28 UNF: for all other size codes, 1/8 in PT
 Size codes 203 to 212 don't have mounting collars
 * N lip seals standard
 ■ Available with H labyrinth seals

Δ Available with E3 triple lip seals
 Nickel plated housings available, add suffix K75
 For the Selection Guide, Load Ratings and Speed Limits, see the Link-Belt 200 Series Ball Bearing Engineering section on pages 302 - 310.
 Note: Dimensions subject to change. Certified dimensions of ordered material furnished on request.

F3W200

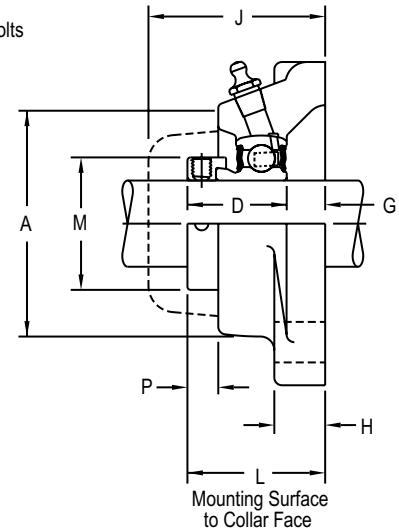
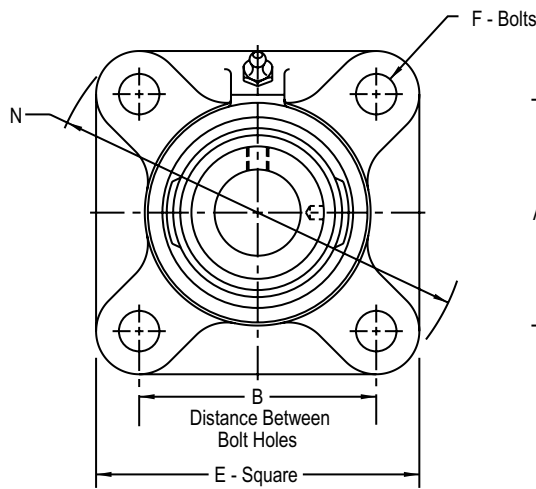
Interchange: F4BSXV, FY-FM, FHF200-G, VF4E100, VCJ



Photo Shows a 4-Bolt Ball Bearing Flanged Unit

Product Features

- Corrosion-resistant powder coating
- Cast iron housing
- Eccentric cam locking device
- Alignable & relubricatable
- See Features and Benefits for additional info on pages 298 - 299.



Bearing Dimensions

Size Code	Shaft Diameter	Part Number	B Distance Between Bolt Holes	L Mounting Surface to Collar Face	A	D	E	F Bolts	G	H	J	M	N	P	Approx. Weight
203	1/2	F3W2B08E▲	2 1/8	1 31/64	2 1/8	1 1/8	3	3/8	23/64	1/2	1 25/32	1 1/8	3 7/8	15/32	0.80
	5/8	F3W210E▲													
204	3/4	F3W212E▲	2 1/2	1 21/32	2 7/16	1 7/32	3 3/8	3/8	7/16	9/16	2 1/64	1 9/16	4 13/32	29/64	1.30
	7/8	F3W214E▲													
205	15/16	F3W215E▲	2 3/4	1 49/64	2 11/16	1 7/32	3 3/4	7/16	29/64	19/32	2	1 1/2	4 29/32	27/64	1.80
	1	F3W216E▲													
	1 1/8	F3W218E▲													
206	1 3/16	F3W219E▲	3 1/4	1 53/64	3 3/16	1 13/32	4 1/4	7/16	27/64	19/32	2 15/64	1 3/4	5 19/32	33/64	2.90
	1 1/4	F3W220E▲													
	1 1/4	F3W220E▲													
207	1 3/8	F3W222E▲	3 5/8	1 31/32	3 5/8	1 17/32	4 5/8	1/2	7/16	5/8	2 23/64	2 3/16	6 1/8	9/16	3.70
	1 7/16	F3W223E▲													
	1 1/2	F3W224E▲													
208	1 5/8	F3W226E▲	4	2 3/16	4	1 23/32	5 1/8	1/2	15/32	5/8	2 35/64	2 3/8	6 25/32	39/64	4.80
	1 11/16	F3W227E▲													
	1 3/4	F3W228E▲													
209	1 15/16	F3W231E▲	4 3/8	2 5/16	4 1/2	1 23/32	5 5/8	1/2	19/32	3/4	2 13/16	2 3/4	7 7/16	37/64	6.10
	2	F3W232E▲													

Additional Notes

- Please call 1-866-REXNORD for availability
- Lubrication fitting tap size: for size code 203, 1/4 in-28 UNF; for all other size codes, 1/8 in PT
- ▲ E lip seals standard
- Nickel plated housings available, add suffix K75

For the Selection Guide, Load Ratings and Speed Limits, see the Link-Belt 200 Series Ball Bearing Engineering section on pages 302 - 310.

Note: Dimensions subject to change. Certified dimensions of ordered material furnished on request.

F3S200

Interchange: F4BVSC, FY-RM, FHSF200-G, VF4S100, SCJ

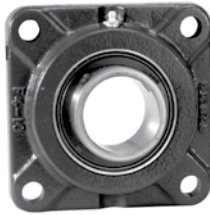
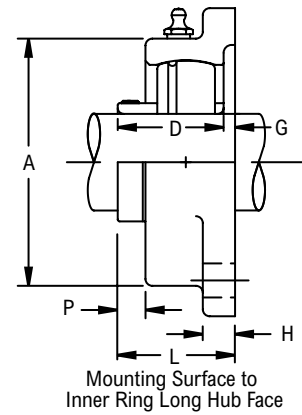
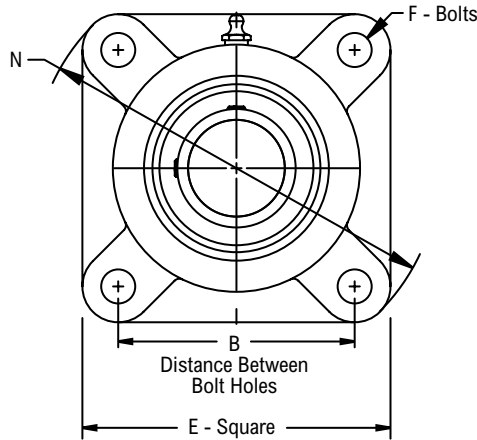


Photo Shows a 4-Bolt Ball Bearing Flanged Unit

Product Features

- Corrosion-resistant powder coating
- Cast iron housing
- Broad range of sealing options
- Spring locking setscrew mount
- Alignable & relubricatable
- See Features and Benefits for additional info on pages 298 - 299.



Bearing Dimensions

Size Code	Shaft Diameter	Part Number	B Distance Between Bolt Holes	L Mounting Surface to Inner Ring Long Hub Face	A	D	E	F Bolts	G	H	N	P	Approx. Weight
203	1/2	F3S2B08E♦□Δ	2 1/8	1 1/8	2 1/16	63/64	3	3/8	9/64	3/8	3 7/8	5/16	0.99
	5/8	F3S210E♦□Δ											0.95
	1 1/16	F3S211E♦□Δ											0.93
204	3/4	F3S212E♦□Δ	2 1/2	1 9/32	2 5/16	1 1/8	3 3/8	3/8	9/64	3/8	4 13/32	13/32	1.30
	20.00	F3S2M20E♦□Δ											63.50
205	7/8	F3S214E♦□Δ	2 3/4	1 5/16	2 11/16	1 11/64	3 3/4	7/16	1/8	7/16	4 29/32	7/16	1.71
	15/16	F3S215E♦□Δ											1.68
	1	F3S216E♦□Δ											1.65
	25.00	F3S2M25E♦□Δ											69.85
206	1 1/8	F3S218E♦□Δ	3 1/4	1 1/2	3 3/16	1 11/32	4 1/4	7/16	9/64	1/2	5 19/32	9/16	2.50
	1 3/16	F3S219E♦□Δ											2.46
	1 1/4	F3S2E20E♦□Δ											2.42
	30.00	F3S2M30E♦□Δ	82.55	38.10	81.00	34.14	108.00	10.00	3.60	12.70	142.10	14.30	1.10
207	1 1/4	F3S220E♦□Δ	3 5/8	1 29/32	3 11/16	1 9/16	4 5/8	1/2	9/64	1/2	6 1/8	21/32	3.41
	1 3/8	F3S222E♦□Δ											3.31
	1 7/16	F3S223E♦□Δ											3.26
	35.00	F3S2M35E♦□Δ											92.08
208	1 1/2	F3S224E♦□Δ	4	1 13/16	4 1/16	1 21/32	5 1/4	1/2	5/32	9/16	6 25/32	21/32	4.49
	1 5/8	F3S2E26E♦□Δ											4.35
	40.00	F3S2M40E♦□Δ											101.60
209	1 5/8	F3S226E♦□Δ	4 1/8	1 29/32	4 5/16	1 49/64	5 3/8	9/16	1/8	9/16	7 3/32	23/32	4.85
	1 11/16	F3S227E♦□Δ											4.78
	1 3/4	F3S228E♦□Δ											4.70
210	1 7/8	F3S230E♦□Δ	4 3/8	1 29/32	4 1/2	1 13/16	5 5/8	9/16	7/64	9/16	7 7/16	23/32	5.31
	1 15/16	F3S231E♦□Δ											5.22
	2	F3S2E32E♦□Δ											5.13
211	2	F3S232E♦□Δ	5 1/8	2	5 3/16	1 13/16	6 3/8	5/8	11/64	5/8	8 1/2	11/16	7.53
	2 3/16	F3S235E♦□Δ											7.23
	2 1/4	F3S2E36E♦□Δ											7.13
212	2 1/4	F3S236E♦□Δ	5 5/8	2 3/32	5 7/16	1 57/64	6 7/8	5/8	13/64	11/16	9 9/32	21/32	9.25
	2 3/8	F3S238E♦□Δ											9.01
	2 7/16	F3S239E♦□Δ											8.89
215	2 15/16	F3S247E♦□Δ	6	2 13/32	6 7/16	2 17/64	7 3/4	3/4	1/8	3/4	10 1/4	23/32	13.19

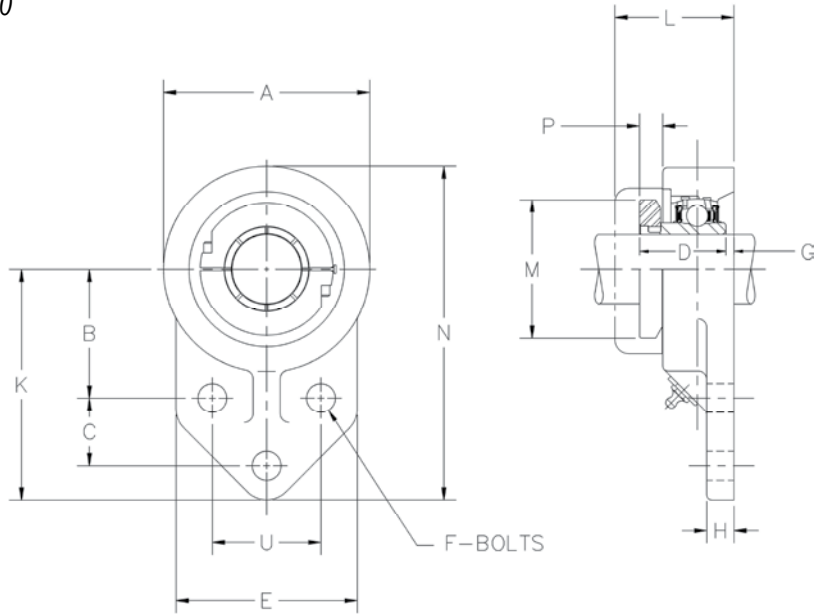
Additional Notes

- Please call 1-866-REXNORD for availability
- Lubrication fitting tap size: for size code 203-205, 1/4 in-28 UNF: for all other size codes, 1/8 in PT
- Lip seals standard
- ♦ Available with E1 viton seals for all size codes
- Available with free running style seals, add suffix ♦ FF, □ HFF or Δ MHFF for all size codes

- Nickel plated housings available, add suffix K75
- For the Selection Guide, Load Ratings and Speed Limits, see the Link-Belt 200 Series Ball Bearing Engineering section on pages 302 - 310.
- Note: Dimensions subject to change. Certified dimensions of ordered material furnished on request.

FB3CL200

Interchange: FBDL, GRFB200, FB-T, UEFB200



Product Features

- Corrosion-resistant powder coating
- Cast iron housing
- Broad range of sealing options
- Wide inner ring for increased shaft stability
- Centrik-Lok CL shaft locking device
- Alignable & relubricatable
- Black Oxide
- See Features and Benefits for additional info on pages 298 - 299.

Bearing Dimensions

Size Code	Shaft Diameter	Part Number	B Centerline to Bolt Hole Centers	C Bolt Hole Center to Bolt Center	L Mounting Surface to Collar Face	U Distance Between Bolt Holes	A	D	E	F Bolts	G	H	K	M	N	P	Approx. Weight	
204	³ / ₄	FB3CL212N	1 ¹¹ / ₁₆	⁷ / ₈	1 ³ / ₈	1 ¹ / ₂	2 ¹ / ₂	1 ¹¹ / ₃₂	2 ³ / ₈	³ / ₈	³ / ₃₂	¹⁵ / ₁₆	3	1 ⁵⁹ / ₆₄	4 ¹ / ₄	³ / ₈	1.40	
	20.00	FB3CL2M20N	42.90	22.20	34.93	38.10	63.50	34.04	60.30	10.00	2.38	7.90	76.20	48.77	108.00	9.53	0.63	
205	⁷ / ₈	FB3CL214N	1 ¹³ / ₁₆	1 ¹ / ₈	1 ³⁵ / ₁₆	1 ⁵ / ₈	2 ³ / ₄	1 ⁷ / ₁₆	2 ¹ / ₂	³ / ₈	³ / ₃₂	³ / ₈	3 ³ / ₈	2 ⁵ / ₆₄	4 ³ / ₄	³ / ₈	1.90	
	¹⁵ / ₁₆	FB3CL215N																
	1	FB3CL216N	25.00	FB3CL2M25N	46.00	28.60	39.29	41.30	69.80	36.51	63.50	10.00	2.38	9.50	85.70	52.83	120.60	9.53
206	1 ¹ / ₈	FB3CL218N	2 ¹ / ₁₆	1 ¹ / ₄	1 ⁹ / ₁₆	1 ⁷ / ₈	3 ¹ / ₄	1 ⁹ / ₁₆	2 ³ / ₄	³ / ₈	¹ / ₁₆	³ / ₈	3 ³ / ₄	2 ¹⁵ / ₃₂	5 ³ / ₈	⁵ / ₁₆	2.50	
	1 ³ / ₁₆	FB3CL219N																
	1 ¹ / ₄	FB3CL2E20N	30.00	FB3CL2M30N	52.30	31.80	39.69	47.60	82.60	39.62	69.80	10.00	1.59	9.50	95.20	62.48	136.50	7.94
207	1 ¹ / ₄	FB3CL220N	2 ³ / ₈	1 ¹ / ₄	1 ¹³ / ₁₆	2	3 ³ / ₄	1 ³ / ₄	3 ¹ / ₄	¹ / ₂	¹ / ₈	¹ / ₂	4 ¹ / ₄	2 ⁷ / ₈	6 ¹ / ₈	³ / ₈	3.40	
	1 ³ / ₈	FB3CL222N																
	1 ⁷ / ₁₆	FB3CL223N	35.00	FB3CL2M35N	60.30	31.80	46.04	50.80	95.20	44.45	82.60	12.00	3.18	12.70	108.00	73.15	155.60	9.53
210	1 ¹⁵ / ₁₆	FB3CL231N	2 ¹⁵ / ₁₆	1 ⁵ / ₈	2 ¹⁹ / ₆₄	2 ³ / ₄	4 ⁹ / ₁₆	2 ⁵ / ₆₄	4	¹ / ₂	¹ / ₄	¹ / ₂	5 ³ / ₁₆	3 ⁵ / ₈	7 ¹⁵ / ₃₂	⁹ / ₁₆	8.10	
	50.00	FB3CL2M50N	74.61	41.28	58.34	69.85	115.89	52.58	101.60	12.00	6.35	12.70	131.76	92.20	189.71	14.29	3.65	

Additional Notes

- Please call 1-866-REXNORD for availability
- Lubrication fitting tap size: 1/4-28 UNF for all size code except size code 210, 1/8" PT
- *N lip seals standard
- Available with H labyrinth seals
- Δ Available with E3 triple lip seals

Nickel plated housings available, add suffix K75
 For the Selection Guide, Load Ratings and Speed Limits, see the Link-Belt 200 Series Ball Bearing Engineering section on pages 302 - 310.
 Note: Dimensions subject to change. Certified dimensions of ordered material furnished on request.

FB3U200

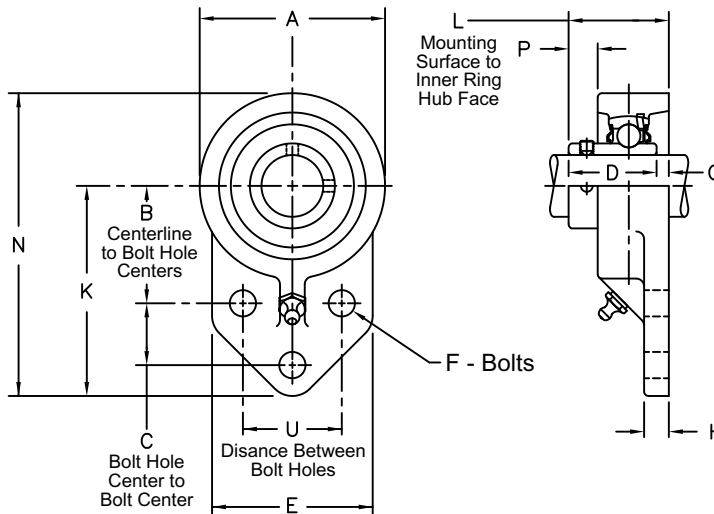
Interchange: FBSC, UCFB200, FB



Photo Shows a 3-Bolt Ball Bearing Flanged Bracket Unit

Product Features

- Corrosion-resistant powder coating
- Cast iron housing
- Broad range of sealing options
- Wide inner ring for increased shaft stability
- Spring locking setscrew mount
- Alignable & relubricatable
- See Features and Benefits for additional info on pages 298 - 299.



Bearing Dimensions

Size Code	Shaft Diameter	Part Number	B Centerline to Bolt Hole Centers	C Bolt Hole Center to Bolt Center	L Mounting Surface to Inner Ring Long Hub Face	U Distance Between Bolt Holes	A	D	E	F Bolts	G	H	K	N	P	Approx. Weight
204	³ / ₄	FB3U212N *■	1 ¹¹ / ₁₆	⁷ / ₈	1 ¹¹ / ₃₂	1 ¹ / ₂	2 ¹ / ₂	1 ⁹ / ₃₂	2 ³ / ₈	³ / ₈	¹ / ₁₆	⁵ / ₁₆	3	4 ¹ / ₄	¹¹ / ₃₂	1.40
	20.00	FB3U2M20N *■	42.90	22.20	34.10	38.10	63.50	32.50	60.30	10.00	1.60	7.90	76.20	108.00	8.70	0.63
205	⁷ / ₈	FB3U214N *Δ■	1 ¹³ / ₁₆	1 ¹ / ₈	1 ²⁹ / ₆₄	1 ⁵ / ₈	2 ³ / ₄	1 ²⁹ / ₆₄	2 ¹ / ₂	³ / ₈	³ / ₃₂	³ / ₈	3 ³ / ₈	4 ³ / ₄	¹⁹ / ₆₄	1.90
	¹⁵ / ₁₆	FB3U215N *Δ■														
	1	FB3U216N *Δ■														
	25.00	FB3U2M25N *Δ■	46.00	28.60	38.90	41.30	69.80	34.53	63.50	10.00	2.40	9.50	85.70	120.60	7.50	0.86
206	1 ¹ / ₈	FB3U218N *Δ■	2 ¹ / ₁₆	1 ¹ / ₄	1 ⁵ / ₈	1 ⁷ / ₈	3 ¹ / ₄	1 ⁹ / ₁₆	2 ³ / ₄	³ / ₈	¹ / ₁₆	³ / ₈	3 ³ / ₄	5 ⁵ / ₈	³ / ₈	2.50
	1 ³ / ₁₆	FB3U219N *Δ■														
	1 ¹ / ₄	FB3U2E20N *Δ■														
	30.00	FB3U2M30N *Δ■	52.30	31.80	43.70	47.60	82.60	39.69	69.80	10.00	1.60	9.50	95.20	136.50	9.50	1.13
207	1 ¹ / ₄	FB3U220N *Δ■	2 ³ / ₈	1 ¹ / ₄	1 ⁵⁹ / ₆₄	2	3 ³ / ₄	1 ⁴⁹ / ₆₄	3 ¹ / ₄	¹ / ₂	⁵ / ₃₂	¹ / ₂	4 ¹ / ₄	6 ¹ / ₈	³¹ / ₆₄	3.40
	1 ³ / ₈	FB3U222N *Δ■														
	1 ⁷ / ₁₆	FB3U223N *Δ■														
	35.00	FB3U2M35N *Δ■	60.30	31.80	48.80	50.80	95.20	44.85	82.60	12.00	4.00	12.70	108.00	155.60	12.30	1.53
210	1 ¹⁵ / ₁₆	FB3U231N *Δ■	2 ¹⁵ / ₁₆	1 ⁵ / ₈	2 ¹⁹ / ₆₄	2 ³ / ₄	4 ⁹ / ₁₆	2 ⁵ / ₆₄	4	¹ / ₂	¹ / ₄	¹ / ₂	5 ³ / ₁₆	7 ¹⁵ / ₃₂	⁹ / ₁₆	8.10
	50.00	FB3U2M50N *Δ■	74.61	41.28	58.34	69.85	115.89	52.58	101.60	12.00	6.35	12.70	131.76	189.71	14.29	3.65

Additional Notes

- Please call 1-866-REXNORD for availability
- Lubrication fitting tap size, 1/4 in-28 UNF
- * N lip seals standard
- Available with H labyrinth seals
- Δ Available with E3 triple lip seals
- Nickel plated housings available, add suffix K75

For the Selection Guide, Load Ratings and Speed Limits, see the Link-Belt 200 Series Ball Bearing Engineering section on pages 302 - 310.

Note: Dimensions subject to change. Certified dimensions of ordered material furnished on request.

FB3S200

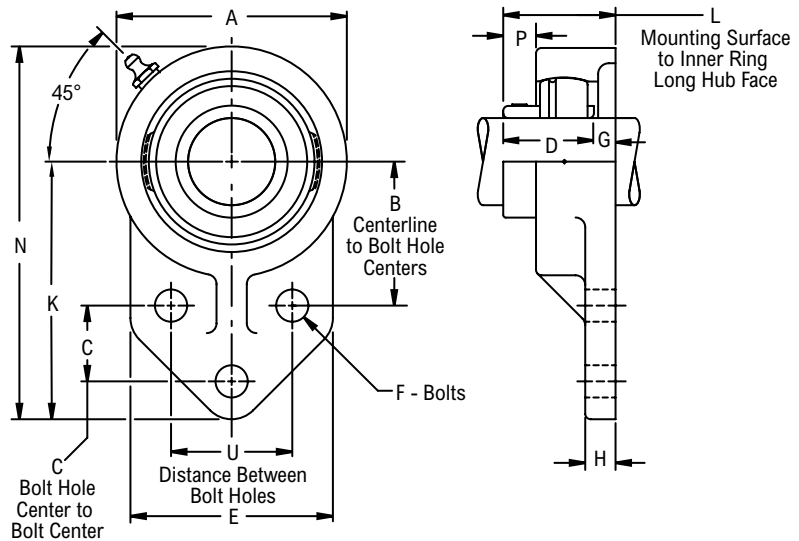
Interchange: *FBVSC*



Photo Shows a 3-Bolt Ball Bearing Flanged Bracket Unit

Product Features

- Corrosion-resistant powder coating
- Cast iron housing
- Broad range of sealing options
- Spring locking setscrew mount
- Alignable & relubricatable
- See Features and Benefits for additional info on pages 298 - 299.



Bearing Dimensions

Size Code	Shaft Diameter	Part Number	B Centerline to Bolt Hole Centers	C Bolt Hole Center to Bolt Center	L Mounting Surface to Inner Ring Long Hub Face	U Distance Between Bolt Holes	A	D	E	F Bolts	G	H	K	N	P	Approx. Weight	
204	$\frac{3}{4}$	FB3S212E●●□△	$1\frac{11}{16}$	$\frac{7}{8}$	$1\frac{3}{8}$	$1\frac{1}{2}$	$2\frac{1}{2}$	$1\frac{1}{8}$	$2\frac{3}{8}$	$\frac{3}{8}$	$\frac{1}{4}$	$\frac{5}{16}$	3	$4\frac{1}{4}$	$\frac{25}{64}$	1.44	
	20.00	FB3S2M20E●●□△	42.90	22.20	34.90	38.10	63.50	28.58	60.30	10.00	6.40	7.90	76.20	108.00	9.90	0.60	
205	$\frac{7}{8}$	FB3S214E●●□△	$1\frac{13}{16}$	$1\frac{1}{8}$	$1\frac{17}{32}$	$1\frac{5}{8}$	$2\frac{3}{4}$	$1\frac{11}{64}$	$2\frac{1}{2}$	$\frac{3}{8}$	$\frac{23}{64}$	$\frac{3}{8}$	$3\frac{3}{8}$	$4\frac{3}{4}$	$\frac{27}{64}$	1.80	
	$\frac{15}{16}$	FB3S215E●●□△															
	1	FB3S216E●●□△	25.00	FB3S2M25E●●□△	46.00	28.60	38.90	41.30	69.80	29.77	63.50	10.00	9.10	9.50	85.70	120.60	10.70
206	$1\frac{1}{8}$	FB3S218E●●□△	$2\frac{1}{16}$	$1\frac{1}{4}$	$1\frac{43}{64}$	$1\frac{7}{8}$	$3\frac{1}{4}$	$1\frac{11}{32}$	$2\frac{3}{4}$	$\frac{3}{8}$	$\frac{17}{64}$	$\frac{3}{8}$	$3\frac{3}{4}$	$5\frac{3}{8}$	$\frac{35}{64}$	2.10	
	$1\frac{3}{16}$	FB3S219E●●□△															
	$1\frac{1}{4}$	FB3S2E20E●●□△															30.00
207	$1\frac{1}{4}$	FB3S220E●●□△	$2\frac{3}{8}$	$1\frac{1}{4}$	$1\frac{61}{64}$	2	$3\frac{3}{4}$	$1\frac{9}{16}$	$3\frac{11}{32}$	$\frac{1}{2}$	$\frac{25}{64}$	$\frac{1}{2}$	$4\frac{1}{4}$	$6\frac{1}{8}$	$\frac{41}{64}$	3.45	
	$1\frac{3}{8}$	FB3S222E●●□△															
	$1\frac{7}{16}$	FB3S223E●●□△															35.00
210	$1\frac{15}{16}$	FB3S231N *△■	$2\frac{15}{16}$	$1\frac{5}{8}$	$2\frac{19}{64}$	$2\frac{3}{4}$	$4\frac{9}{16}$	$2\frac{5}{64}$	4	$\frac{1}{2}$	$\frac{1}{4}$	$\frac{1}{2}$	$5\frac{3}{16}$	$7\frac{15}{32}$	$\frac{9}{16}$	8.10	
	50.00	FB3S2M50N *△■	74.61	41.28	58.34	69.85	115.89	52.58	101.60	12.00	6.35	12.70	131.76	189.71	14.29	3.65	

Additional Notes

- Please call 1-866-REXNORD for availability
- Lubrication fitting tap size: for size codes 204 thru 205, 1/4-28 UNF; for all other size codes, 1/8 in PT
- Lip seals standard
- ◆ Available with E1 viton seals
- Available with free running style seals, add suffix ● FF, □ HFF or △ MHFF

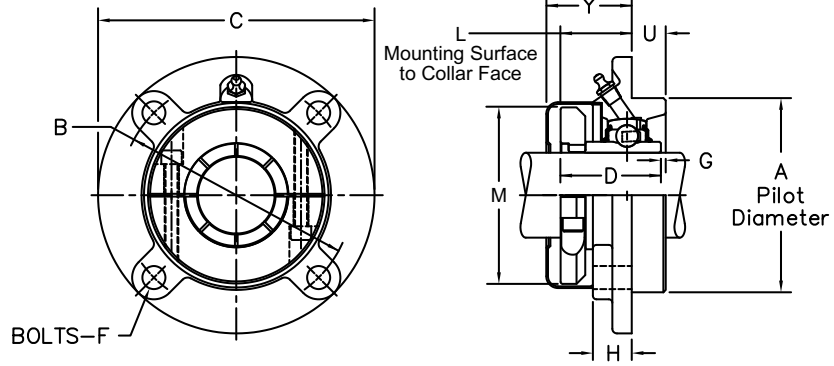
- Nickel plated housings available, add suffix K75
- For the Selection Guide, Load Ratings and Speed Limits, see the Link-Belt 200 Series Ball Bearing Engineering section on pages 302 - 310.
- Note: Dimensions subject to change. Certified dimensions of ordered material furnished on request.

FC3CL200N

Interchange: FCDL, SFC-T



Photo Shows a 4-Bolt Ball Bearing Flanged Cartridge Unit



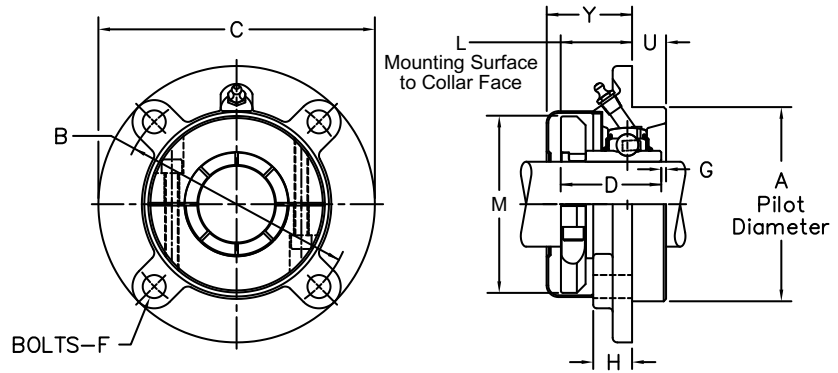
Product Features

- Corrosion resistant powder coating
- Cast iron housing
- Broad range of sealing options
- Wide inner ring for increased shaft stability
- Spring locking setscrew mount
- Alignable and relubricatable
- Black Oxide

Bearing Dimensions

Size Code	Shaft Diameter	Part Number	A Pilot Diameter	B Bolt Hole Circle Diameter	L Mounting Surface to Collar Face	C	D	F Bolts	G	H	M	U	Y	Approx. Weight
205	$\frac{7}{8}$	FC3CL214N* Δ	3.000	3 $\frac{5}{8}$	$\frac{61}{64}$	4 $\frac{3}{8}$	1 $\frac{29}{64}$	$\frac{3}{8}$	-	$\frac{5}{8}$	2 $\frac{3}{32}$	$\frac{1}{2}$	1 $\frac{29}{64}$	3.00
	$\frac{15}{16}$	FC3CL215N* Δ												
	1	FC3CL216N* Δ												
	25.00	FC3CL2M25N* Δ	76.200	92.08	24.21	111.10	36.91	10.00	-	15.90	53.18	12.70	36.91	1.35
206	$1 \frac{1}{8}$	FC3CL218N* Δ	3.375	4 $\frac{1}{8}$	1 $\frac{5}{64}$	5	1 $\frac{17}{32}$	$\frac{7}{16}$	-	$\frac{13}{16}$	2 $\frac{15}{32}$	$\frac{27}{64}$	1 $\frac{3}{4}$	4.50
	$1 \frac{3}{16}$	FC3CL219N* Δ												
	$1 \frac{1}{4}$	FC3CL2E20N* Δ												
	30.00	FC3CL2M30N* Δ	85.720	104.78	27.38	127.00	38.89	10.00	-	20.60	62.71	10.70	44.45	2.00
207	$1 \frac{1}{4}$	FC3CL220N* Δ	3.625	4 $\frac{3}{8}$	1 $\frac{13}{32}$	5 $\frac{1}{4}$	1 $\frac{47}{64}$	$\frac{7}{16}$	$\frac{3}{16}$	1 $\frac{1}{16}$	2 $\frac{57}{64}$	$\frac{15}{32}$	2 $\frac{1}{64}$	4.60
	$1 \frac{3}{8}$	FC3CL222N* Δ												
	$1 \frac{7}{16}$	FC3CL223N* Δ												
	35.00	FC3CL2M35N* Δ	92.080	111.20	35.72	133.40	44.05	10.00	4.80	27.00	73.42	11.90	51.20	2.10
208	$1 \frac{1}{2}$	FC3CL224N* Δ	3.625	4 $\frac{3}{8}$	1 $\frac{33}{64}$	5 $\frac{1}{4}$	1 $\frac{31}{32}$	$\frac{7}{16}$	$\frac{1}{32}$	1 $\frac{1}{32}$	3 $\frac{1}{16}$	$\frac{15}{32}$	2 $\frac{1}{32}$	4.30
	40.00	FC3CL2M40N* Δ												
209	$1 \frac{5}{8}$	FC3CL226N* Δ	4.250	5 $\frac{1}{8}$	1 $\frac{17}{32}$	6 $\frac{1}{8}$	1 $\frac{31}{32}$	$\frac{1}{2}$	-	1 $\frac{1}{16}$	3 $\frac{17}{64}$	$\frac{15}{32}$	2 $\frac{1}{32}$	6.30
	$1 \frac{11}{16}$	FC3CL227N* Δ												
	$1 \frac{3}{4}$	FC3CL228N* Δ												
	45.00	FC3CL2M45N* Δ	107.950	130.18	38.89	155.60	50.01	12.00	-	27.00	82.95	11.90	51.59	2.84
210	$1 \frac{15}{16}$	FC3CL231N* Δ	4.500	5 $\frac{3}{8}$	1 $\frac{19}{32}$	6 $\frac{3}{8}$	2 $\frac{5}{64}$	$\frac{1}{2}$	$\frac{11}{64}$	1 $\frac{13}{64}$	3 $\frac{5}{8}$	$\frac{5}{8}$	2 $\frac{7}{16}$	7.40
	50.00	FC3CL2M50N* Δ												
211A	2	FC4CL232N* Δ	4.500	5 $\frac{3}{8}$	1 $\frac{21}{32}$	6 $\frac{3}{8}$	2 $\frac{15}{64}$	$\frac{1}{2}$	$\frac{1}{32}$	1 $\frac{1}{32}$	3 $\frac{29}{32}$	$\frac{5}{8}$	2 $\frac{1}{4}$	7.70
	55.00	FC4CL2M55N* Δ												
211B	2	FC3CL232N* Δ	5.000	6	1 $\frac{15}{32}$	7 $\frac{1}{8}$	2 $\frac{15}{64}$	$\frac{9}{16}$	$\frac{5}{32}$	1	3 $\frac{29}{32}$	$\frac{7}{8}$	2 $\frac{1}{4}$	9.90
	$2 \frac{3}{16}$	FC3CL235N* Δ												
	55.00	FC3CL2M55N* Δ												

Continued...



Continued...

Bearing Dimensions

Size Code	Shaft Diameter	Part Number	A Pilot Diameter	B Bolt Hole Circle Diameter	L Mounting Surface to Collar Face	C	D	F Bolts	G	H	M	U	Y	Approx. Weight
212	2 1/4	FC3CL236N*Δ	5.500	6 1/2	1 39/64	7 5/8	2 19/32	9/16	-	1	4 3/16	7/8	2 1/4	12.00
	2 3/8	FC3CL238N*Δ												
	2 7/16	FC3CL239N*Δ												
	60.00	FC3CL2M60N*Δ	139.700	165.10	40.88	193.70	65.88	14.00	-	25.40	106.36	22.20	57.15	5.40
213	2 1/2	FC3CL240N*Δ	6.375	7 1/2	1 7/8	8 3/4	2 3/4	5/8	3/16	1 3/16	4 51/64	1 1/16	2 23/64	17.00
	2 11/16	FC3CL243N*Δ												
	65.00	FC3CL2M65N*Δ												
215	2 3/4	FC3CL244N*Δ	6.375	7 1/2	1 55/64	8 3/4	2 29/32	5/8	3/16	1 1/16	5 1/4	1 1/4	2 23/64	17.70
	2 15/16	FC3CL247N*Δ												
	3	FC3CL2E48N*Δ												
	75.00	FC3CL2M75N*Δ	161.920	190.50	222.20	16.00	4.80	27.00	31.80	8.00				
217	3 7/16	FC3CL255N*Δ	7.375	8 5/8	2 7/16	10 1/4	3 39/64	3/4	-	1 5/8	5 23/32	1 5/32	3 1/8	34.00
	3 1/2	FC3CL2E56N*Δ												
	85.00	FC3CL2M85N*Δ												
220	3 15/16	FC3CL263N*	8.120	9 3/8	3 11/16	10 7/8	4 7/64	3/4	-	2 1/8	6 31/64	1 1/8	3 27/64	41.80
	4	FC3CL2E64N*												
	100.00	FC3CL2M100N*												

Additional Notes

Please call 1-866-REXNORD for availability

Lubrication fitting tap size: for size code 203-205, 1/4 in-28 UNF; for all other size codes, 1/8 in PT

* N lip seals with flingers standard

■ Available with H labyrinth seals

Δ Available with E3 triple lip seals

Nickel plated housings available, add suffix K75

For the Selection Guide, Load Ratings and Speed Limits, see the Link-Belt 200 Series Ball Bearing Engineering section on pages 302 - 310.

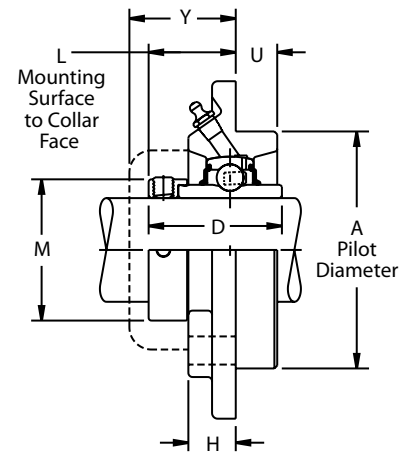
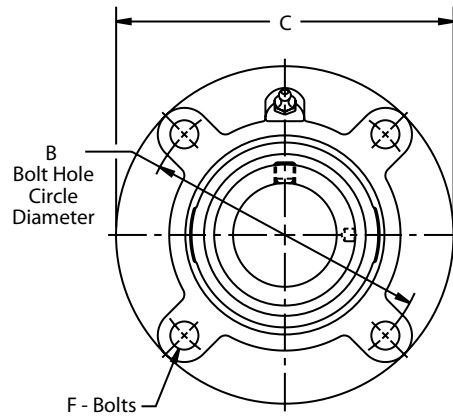
Note: Dimensions subject to change. Certified dimensions of ordered material furnished on request.

FC3Y200

Interchange: FCSXR



Photo Shows a 4-Bolt Ball Bearing Flanged Cartridge Unit



Product Features

- Corrosion-resistant powder coating
- Cast iron housing
- Broad range of sealing options
- Wide inner ring for increased shaft stability
- Eccentric cam locking device
- Alignable & relubricatable
- See Features and Benefits for additional info on pages 298 - 299.

Bearing Dimensions

Size Code	Shaft Diameter	Part Number	A Pilot Diameter	B Bolt Hole Circle Diameter	L Mounting Surface to Collar Face	C	D	F Bolts	H	M	U	Y	Approx. Weight
205	$\frac{7}{8}$	FC3Y214N * Δ	3.000	$3 \frac{5}{8}$	$1 \frac{1}{8}$	$4 \frac{3}{8}$	$1 \frac{3}{4}$	$\frac{3}{8}$	$\frac{5}{8}$	$1 \frac{1}{2}$	$\frac{1}{2}$	$1 \frac{7}{16}$	3.10
	$\frac{15}{16}$	FC3Y215N * Δ											
	1	FC3Y216N * Δ											
206	$1 \frac{1}{8}$	FC3Y218N * Δ	3.375	$4 \frac{1}{8}$	$1 \frac{3}{8}$	5	$1 \frac{29}{32}$	$\frac{7}{16}$	$\frac{13}{16}$	$1 \frac{3}{4}$	$\frac{27}{64}$	$1 \frac{23}{32}$	4.60
	$1 \frac{3}{16}$	FC3Y219N * Δ											
	$1 \frac{1}{4}$	FC3Y220N * Δ											
207	$1 \frac{1}{4}$	FC3Y220N * Δ	3.625	$4 \frac{3}{8}$	$1 \frac{21}{32}$	$5 \frac{1}{4}$	$2 \frac{1}{64}$	$\frac{7}{16}$	$1 \frac{1}{16}$	$2 \frac{3}{16}$	$\frac{15}{32}$	2	4.90
	$1 \frac{3}{8}$	FC3Y222N * Δ											
	$1 \frac{7}{16}$	FC3Y223N * Δ											
208	$1 \frac{1}{2}$	FC3Y224N * Δ	3.625	$4 \frac{3}{8}$	$1 \frac{43}{64}$	$5 \frac{1}{4}$	$2 \frac{7}{32}$	$\frac{7}{16}$	$1 \frac{1}{32}$	$2 \frac{3}{8}$	$\frac{15}{32}$	$2 \frac{1}{16}$	4.60
	$1 \frac{5}{8}$	FC3Y226N * Δ											
	$1 \frac{11}{16}$	FC3Y227N * Δ											
209	$1 \frac{3}{4}$	FC3Y228N * Δ	4.250	$5 \frac{1}{8}$	$1 \frac{45}{64}$	$6 \frac{1}{8}$	$2 \frac{7}{32}$	$\frac{1}{2}$	$1 \frac{1}{16}$	$2 \frac{1}{2}$	$\frac{15}{32}$	$2 \frac{5}{64}$	6.60
	$1 \frac{15}{16}$	FC3Y231N * Δ											
210	2	FC4Y232N * Δ	4.500	$5 \frac{3}{8}$	$1 \frac{31}{32}$	$6 \frac{3}{8}$	$2 \frac{15}{32}$	$\frac{1}{2}$	$1 \frac{13}{64}$	$2 \frac{3}{4}$	$\frac{5}{8}$	$2 \frac{1}{4}$	7.70
211A	2	FC4Y232N * Δ	4.500	$5 \frac{3}{8}$	$1 \frac{31}{32}$	$6 \frac{3}{8}$	$2 \frac{13}{16}$	$\frac{1}{2}$	$1 \frac{1}{32}$	3	$\frac{5}{8}$	$2 \frac{17}{64}$	7.20
211B	2	FC3Y232N * Δ	5.000	6	$1 \frac{27}{32}$	$7 \frac{1}{8}$	$2 \frac{13}{16}$	$\frac{9}{16}$	1	3	$\frac{7}{8}$	$2 \frac{1}{8}$	11.00
	$2 \frac{3}{16}$	FC3Y235N * Δ											
	$2 \frac{1}{4}$	FC3Y236N * Δ											
212	$2 \frac{3}{8}$	FC3Y238N * Δ	5.500	$6 \frac{1}{2}$	$1 \frac{29}{32}$	$7 \frac{5}{8}$	$3 \frac{1}{16}$	$\frac{9}{16}$	1	$3 \frac{5}{16}$	$\frac{7}{8}$	$2 \frac{11}{64}$	12.50
	$2 \frac{7}{16}$	FC3Y239N * Δ											

Additional Notes

- Please call 1-866-REXNORD for availability
- Lubrication fitting tap size: for size codes 205 and below, 1/4 in-28 UNF; for all other size codes, 1/8 in PT
- Pilot Diameter tolerance, +.000 in/-.002 in (+0.00 mm/-0.05 mm)
- Bore tolerance for mounting, +.002 in/-.000 in (+0.05 mm/-0.00 mm)
- * N lip seals standard

- Available with H labyrinth seals
- ▲ Available with E3 triple lip seals
- For the Selection Guide, Load Ratings and Speed Limits, see the Link-Belt 200 Series Ball Bearing Engineering section on pages 302 - 310.
- Note: Dimensions subject to change. Certified dimensions of ordered material furnished on request.

FC3U200

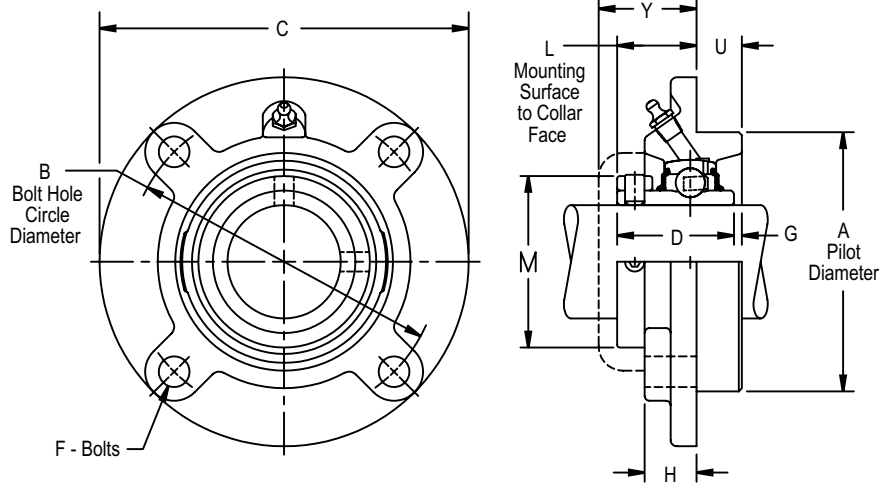
Interchange: FCSC, SFC, RFC



Photo Shows a 4-Bolt Ball Bearing Flanged Cartridge Unit

Product Features

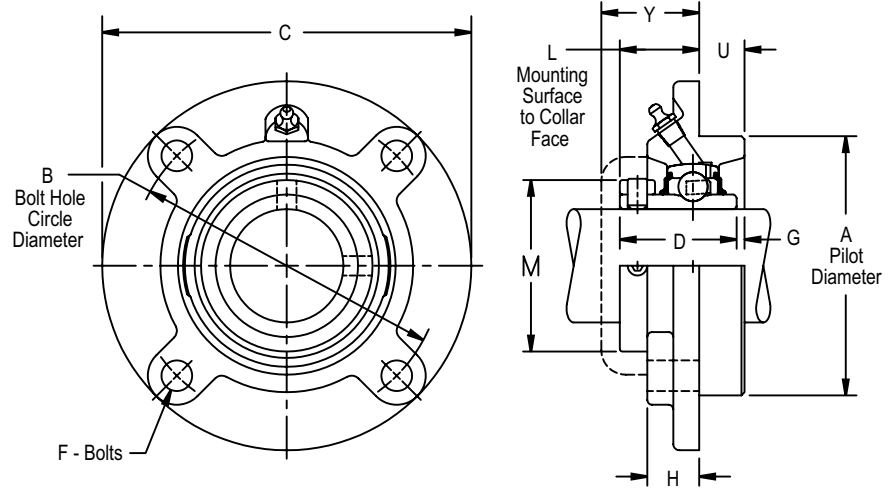
- Corrosion-resistant powder coating
- Cast iron housing
- Broad range of sealing options
- Wide inner ring for increased shaft stability
- Spring locking setscrew mount
- Alignable & relubricatable
- See Features and Benefits for additional info on pages 298 - 299.



Bearing Dimensions

Size Code	Shaft Diameter	Part Number	A Pilot Diameter	B Bolt Hole Circle Diameter	L Mounting Surface to Collar Face	C	D	F Bolts	G	H	M	U	Y	Approx. Weight
205	⁷ / ₈	FC3U214N*Δ	3.000	3 ⁵ / ₈	⁵⁵ / ₆₄	4 ³ / ₈	1 ²³ / ₆₄	³ / ₈	-	⁵ / ₈	-	¹ / ₂	1 ⁷ / ₁₆	3.00
	¹⁵ / ₁₆	FC3U215N*Δ												
	1	FC3U216N*Δ												
	25.00	FC3U2M25N*Δ	76.200	92.08	21.80	111.10	34.53	10.00	-	15.90	-	12.70	36.50	1.35
206	1 ¹ / ₈	FC3U218N*Δ	3.375	4 ¹ / ₈	1 ⁹ / ₆₄	5	1 ⁹ / ₁₆	⁷ / ₁₆	-	¹³ / ₁₆	-	²⁷ / ₆₄	1 ²³ / ₃₂	4.50
	1 ³ / ₁₆	FC3U219N*Δ												
	1 ¹ / ₄	FC3U2E20N*Δ												
	30.00	FC3U2M30N*Δ	85.720	104.78	29.00	127.00	39.69	10.00	-	20.60	-	10.70	43.70	2.00
207	1 ¹ / ₄	FC3U220N*Δ	3.625	4 ³ / ₈	1 ³¹ / ₆₄	5 ¹ / ₄	1 ⁴⁹ / ₆₄	⁷ / ₁₆	³ / ₁₆	1 ¹ / ₁₆	-	¹⁵ / ₃₂	2	4.60
	1 ³ / ₈	FC3U222N*Δ												
	1 ⁷ / ₁₆	FC3U223N*Δ												
	35.00	FC3U2M35N*Δ	92.080	111.20	37.70	133.40	44.85	10.00	4.80	27.00	-	11.90	50.80	2.10
208	1 ¹ / ₂	FC3U224N*Δ	3.625	4 ³ / ₈	1 ¹⁵ / ₃₂	5 ¹ / ₄	1 ²⁹ / ₃₂	⁷ / ₁₆	¹ / ₃₂	1 ¹ / ₃₂	-	¹⁵ / ₃₂	2 ¹ / ₁₆	4.30
	40.00	FC3U2M40N*Δ												
209	1 ⁵ / ₈	FC3U226N*Δ	4.250	5 ¹ / ₈	1 ⁹ / ₁₆	6 ¹ / ₈	2 ¹ / ₃₂	¹ / ₂	-	1 ¹ / ₁₆	-	¹⁵ / ₃₂	2 ⁵ / ₆₄	6.30
	1 ¹¹ / ₁₆	FC3U227N*Δ												
	1 ³ / ₄	FC3U228N*Δ												
	45.00	FC3U2M45N*Δ	107.950	130.18	39.70	155.60	51.59	12.00	-	27.00	-	11.90	52.80	2.84
210	1 ¹⁵ / ₁₆	FC3U231N*Δ	4.500	5 ³ / ₈	1 ⁴¹ / ₆₄	6 ³ / ₈	2 ³ / ₃₂	¹ / ₂	¹¹ / ₆₄	1 ¹³ / ₆₄	-	⁵ / ₈	2 ¹ / ₄	7.40
	50.00	FC3U2M50N*Δ												
211A	2	FC4U232N*Δ	4.500	5 ³ / ₈	1 ²¹ / ₃₂	6 ³ / ₈	2 ¹ / ₄	¹ / ₂	¹ / ₃₂	1 ¹ / ₃₂	-	⁵ / ₈	2 ¹⁷ / ₆₄	7.70
	55.00	FC4U2M55N*Δ												
211B	2	FC3U232N*Δ	5.000	6	1 ¹⁷ / ₃₂	7 ¹ / ₈	2 ¹ / ₄	⁹ / ₁₆	⁵ / ₃₂	1	-	⁷ / ₈	2 ¹ / ₈	9.90
	2 ³ / ₁₆	FC3U235N*Δ												
	55.00	FC3U2M55N*Δ	127.000	152.40	38.90	181.00	57.15	14.00	4.00	25.40	-	22.20	54.00	4.45
212	2 ¹ / ₄	FC3U236N*Δ	5.500	6 ¹ / ₂	1 ⁵ / ₈	7 ⁹ / ₈	2 ¹ / ₂	⁹ / ₁₆	-	1	-	⁷ / ₈	2 ¹¹ / ₆₄	12.00
	2 ³ / ₈	FC3U238N*Δ												
	2 ⁷ / ₁₆	FC3U239N*Δ												
	60.00	FC3U2M60N*Δ	139.700	165.10	41.30	193.70	63.50	14.00	-	25.40	-	22.20	55.20	5.40
213	2 ¹ / ₂	FC3U240N*Δ	6.375	7 ¹ / ₂	1 ¹³ / ₁₆	8 ³ / ₄	2 ¹¹ / ₁₆	⁵ / ₈	³ / ₁₆	1 ³ / ₁₆	4 ³ / ₁₆	1 ¹ / ₁₆	2 ³ / ₁₆	17.00
	2 ¹¹ / ₁₆	FC3U243N*Δ												
	65.00	FC3U2M65N*Δ	161.920	190.50	46.00	222.20	68.26	16.00	4.80	30.20	106.40	27.00	55.60	7.65
215	2 ³ / ₄	FC3U244N*Δ	6.375	7 ¹ / ₂	1 ¹³ / ₁₆	8 ³ / ₄	2 ⁷ / ₈	⁵ / ₈	³ / ₁₆	1 ¹ / ₁₆	4 ⁵ / ₈	1 ¹ / ₄	2 ⁷ / ₃₂	17.70
	2 ¹⁵ / ₁₆	FC3U247N*Δ												

Continued...



Continued...

Bearing Dimensions

Size Code	Shaft Diameter	Part Number	A Pilot Diameter	B Bolt Hole Circle Diameter	L Mounting Surface to Collar Face	C	D	F Bolts	G	H	M	U	Y	Approx. Weight
215	3	FC3U2E48N*Δ	6.375	7 1/2	1 13/16	8 3/4	2 7/8	5/8	3/16	1 1/16	4 5/8	1 1/4	2 7/32	17.70
	75.00	FC3U2M75N*Δ	161.920	190.50	46.00	222.20	73.02	16.00	4.80	27.00	117.50	31.80	56.40	8.00
217	3 7/16	FC3U255N*Δ	7.375	8 5/8	2 13/32	10 1/4	3 9/16	3/4	-	1 5/8	5 3/16	1 5/32	2 25/32	34.00
	3 1/2	FC3U2E56N*Δ												
	85.00	FC3U2M85N*Δ	187.320	219.08	61.10	260.40	90.49	20.00	-	41.30	131.80	29.40	70.60	15.30
220	3 15/16	FC3U263N*	8.120	9 3/8	3 1/8	10 7/8	4 1/4	3/4	-	2 1/8	5 15/16	1 1/8	3 9/16	41.80
	4	FC3U2E64N*												
	100.00	FC3U2M100N*	206.250	238.12	79.40	276.20	107.95	20.00	-	54.00	150.80	28.60	90.50	18.80

Additional Notes

Please call 1-866-REXNORD for availability
 Lubrication fitting tap size: for size codes 205 and below, 1/4 in-28 UNF; for all other size codes, 1/8 in PT
 Pilot Diameter tolerance, +.000 in/-.002 in (+0.00 mm/-0.05 mm)
 Bore tolerance for mounting, +.002 in/-.000 in (+0.05 mm/-0.00 mm)
 Size codes 203 to 212 don't have mounting collars
 * N lip seals standard

■ Available with H labyrinth seals
 Δ Available with E3 triple lip seals
 For the Selection Guide, Load Ratings and Speed Limits, see the Link-Belt 200 Series Ball Bearing Engineering section on pages 302 - 310.
 Note: Dimensions subject to change. Certified dimensions of ordered material furnished on request.

FC3S200

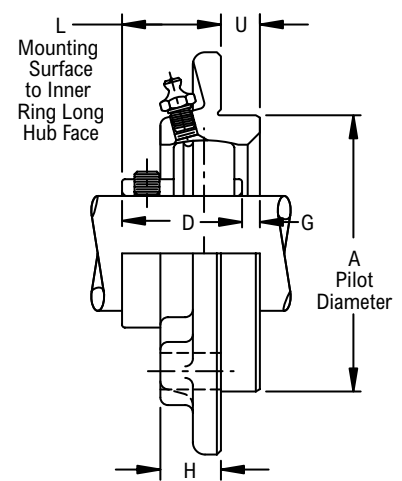
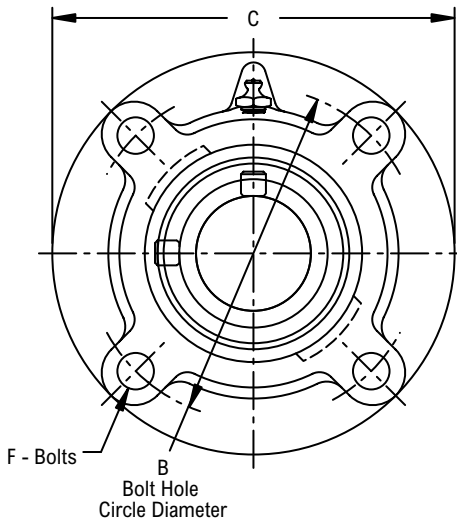
Interchange: FCVSC



Photo Shows a 4-Bolt Ball Bearing Flanged Cartridge Unit

Product Features

- Corrosion-resistant powder coating
- Cast iron housing
- Broad range of sealing options
- Spring locking setscrew mount
- Alignable & relubricatable
- See Features and Benefits for additional info on pages 298 - 299.



Bearing Dimensions

Size Code	Shaft Diameter	Part Number	A Pilot Diameter	B Bolt Hole Circle Diameter	L Mounting Surface to Inner Ring Long Hub Face	C	D	F Bolts	G	H	U	Approx. Weight
207	1 1/4	FC3S220E◆ □Δ	3.375	4 1/8	1 33/64	5	1 9/16	7/16	17/64	7/8	3/8	3.13
	1 3/8	FC3S222E◆ □Δ										3.03
	1 7/16	FC3S223E◆ □Δ										2.97
	35.00	FC3S2M35E◆ □Δ	85.720	104.78	38.50	127.00	39.67	10.00	6.80	22.20	9.50	1.40
208	1 1/2	FC3S224E◆ □Δ	3.625	4 3/8	1 17/32	5 1/4	1 21/32	7/16	1/4	7/8	7/16	3.63
	1 5/8	FC3S2E26E◆ □Δ										3.49
	40.00	FC3S2M40E◆ □Δ										92.080
209	1 5/8	FC3S226E◆ □Δ	3.625	4 3/8	1 37/64	5 1/4	1 49/64	7/16	3/16	7/8	7/16	3.76
	1 11/16	FC3S227E◆ □Δ										3.66
	1 3/4	FC3S228E◆ □Δ										3.59
210	1 7/8	FC3S230E◆ □Δ	4.250	5 1/8	1 19/32	6 1/8	1 13/16	1/2	13/64	7/8	15/32	4.97
	1 15/16	FC3S231E◆ □Δ										4.88
	2	FC3S2E32E◆ □Δ										4.79
211	2	FC3S232E◆ □Δ	4.500	5 3/8	1 35/64	6 3/8	1 13/16	1/2	19/64	7/8	5/8	5.87
	2 3/16	FC3S235E◆ □Δ										5.57
	2 1/4	FC3S2E36E◆ □Δ										5.47
212	2 1/4	FC3S236E◆ □Δ	5.000	6	1 11/16	7 1/8	1 57/64	9/16	37/64	1	7/8	8.40
	2 3/8	FC3S238E◆ □Δ										8.16
	2 7/16	FC3S239E◆ □Δ										8.04
215	2 15/16	FC3S247E◆ □Δ	6.375	7 1/2	1 23/32	8 3/4	2 17/64	5/8	25/64	1	1	13.44

Additional Notes

- Please call 1-866-REXNORD for availability
- Lubrication fitting tap size: for size code 205, 1/4 in-28 UNF; for all other size codes, 1/8 in PT
- Pilot Diameter tolerance, +.000 in/-.002 in (+0.00 mm/-0.05 mm)
- Bore tolerance for mounting, +.002 in/-.000 in (+0.05 mm/-0.00 mm)
- Lip seals standard

- ◆ Available with E1 viton seals for all size codes
- Available with free running style seals, add suffix ● FF, □ HFF or Δ MHFF for all size codes
- For the Selection Guide, Load Ratings and Speed Limits, see the Link-Belt 200 Series Ball Bearing Engineering section on pages 302 - 310.
- Note: Dimensions subject to change. Certified dimensions of ordered material furnished on request.

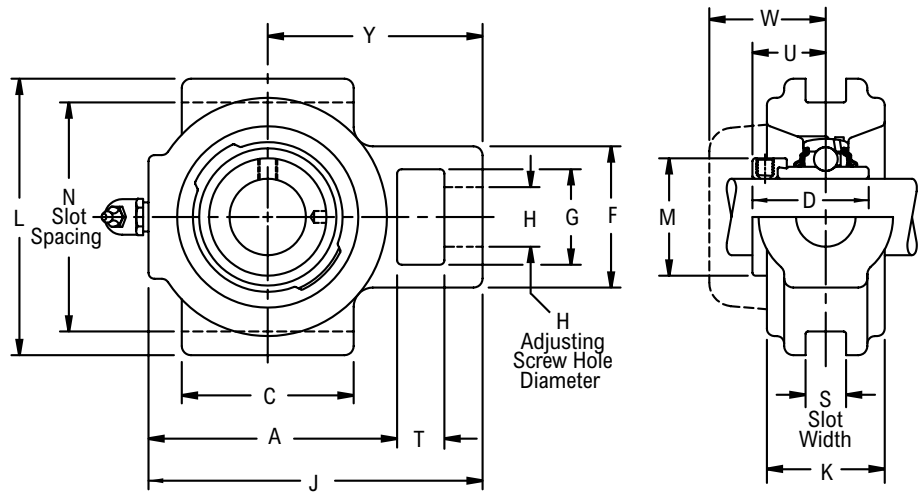
T3Y200



Photo Shows a Ball Bearing Take-up Unit

Product Features

- Corrosion-resistant powder coating
- Cast iron housing
- Standard slot design
- Broad range of sealing options
- Wide inner ring for increased shaft stability
- Eccentric cam locking device
- Alignable & relubricatable
- See Features and Benefits for additional info on pages 298 - 299.



Bearing Dimensions

Size Code	Shaft Diameter	Part Number	H Adjusting Screw Clearance	N Slot Spacing	S Slot Width	A	C	D	F	G	J	K	L	T	U	W	Y	Approx. Weight
203	$\frac{5}{8}$	T3Y210N*■	$\frac{9}{16}$	1.875	0.281	$2\frac{3}{16}$	$1\frac{7}{8}$	$1\frac{15}{32}$	$1\frac{11}{16}$	$1\frac{1}{16}$	3	$1\frac{13}{16}$	$2\frac{1}{4}$	$\frac{1}{2}$	$\frac{59}{64}$	$1\frac{13}{64}$	$1\frac{15}{16}$	1.00
	$\frac{11}{16}$	T3Y211N*■																
	$\frac{1}{2}$	T3Y2B08N*■																
204	$\frac{3}{4}$	T3Y212N*■	$\frac{9}{16}$	2.125	0.281	$2\frac{1}{2}$	$1\frac{7}{8}$	$1\frac{23}{32}$	$1\frac{11}{16}$	$1\frac{1}{16}$	$3\frac{5}{16}$	$1\frac{15}{16}$	$2\frac{5}{8}$	$\frac{1}{2}$	$1\frac{3}{64}$	$1\frac{5}{16}$	$2\frac{3}{32}$	1.50
	$\frac{7}{8}$	T3Y214NΔ*■																
205	$\frac{15}{16}$	T3Y215NΔ*■	$\frac{9}{16}$	2.375	0.281	$2\frac{3}{4}$	2	$1\frac{3}{4}$	$1\frac{11}{16}$	$1\frac{1}{16}$	$3\frac{9}{16}$	1	$2\frac{7}{8}$	$\frac{1}{2}$	$1\frac{1}{16}$	$1\frac{5}{16}$	$2\frac{7}{32}$	2.00
	1	T3Y216NΔ*■																
206	$1\frac{1}{8}$	T3Y218NΔ*■	$\frac{5}{8}$	2.875	0.406	$3\frac{1}{4}$	$2\frac{3}{8}$	$1\frac{29}{32}$	$1\frac{7}{8}$	$1\frac{1}{8}$	$4\frac{3}{16}$	$1\frac{3}{32}$	$3\frac{1}{2}$	$\frac{9}{16}$	$1\frac{3}{16}$	$1\frac{29}{64}$	$2\frac{19}{32}$	3.00
	$1\frac{3}{16}$	T3Y219NΔ*■																
	$1\frac{1}{4}$	T3Y2E20NΔ*■																
207	$1\frac{1}{4}$	T3Y220NΔ*■	$\frac{11}{16}$	3.375	0.406	$3\frac{11}{16}$	$2\frac{5}{8}$	$2\frac{1}{64}$	2	$1\frac{1}{4}$	$4\frac{11}{16}$	$1\frac{3}{16}$	4	$\frac{5}{8}$	$1\frac{9}{32}$	$1\frac{35}{64}$	$2\frac{7}{8}$	3.40
	$1\frac{3}{8}$	T3Y222NΔ*■																
	$1\frac{7}{16}$	T3Y223NΔ*■																
208	$1\frac{1}{2}$	T3Y224NΔ*■	$\frac{11}{16}$	3.500	0.406	$4\frac{1}{16}$	$2\frac{7}{8}$	$2\frac{7}{32}$	2	$1\frac{1}{4}$	$5\frac{1}{8}$	$1\frac{11}{32}$	$4\frac{1}{8}$	$\frac{5}{8}$	$1\frac{3}{8}$	$1\frac{41}{64}$	$3\frac{1}{8}$	4.50
	$1\frac{5}{8}$	T3Y226NΔ*■																
209	$1\frac{11}{16}$	T3Y227NΔ*■	$\frac{7}{8}$	3.750	0.406	$4\frac{5}{16}$	$3\frac{1}{8}$	$2\frac{7}{32}$	$2\frac{1}{4}$	$1\frac{7}{16}$	$5\frac{3}{8}$	$1\frac{3}{8}$	$4\frac{1}{2}$	$\frac{5}{8}$	$1\frac{3}{8}$	$1\frac{21}{32}$	$3\frac{1}{4}$	5.30
	$1\frac{3}{4}$	T3Y228NΔ*■																
210	$1\frac{15}{16}$	T3Y231NΔ*■	$\frac{7}{8}$	4.000	0.406	$4\frac{9}{16}$	$3\frac{1}{4}$	$2\frac{15}{32}$	$2\frac{1}{4}$	$1\frac{7}{16}$	$5\frac{5}{8}$	$1\frac{13}{32}$	$4\frac{3}{4}$	$\frac{5}{8}$	$1\frac{1}{2}$	$1\frac{53}{64}$	$3\frac{3}{8}$	6.00
211	2	T3Y232NΔ*■	$1\frac{1}{8}$	4.500	0.531	5	$3\frac{3}{4}$	$2\frac{13}{16}$	$2\frac{7}{8}$	$1\frac{15}{16}$	$6\frac{1}{4}$	$1\frac{9}{16}$	$5\frac{1}{4}$	$\frac{3}{4}$	$1\frac{23}{32}$	$2\frac{1}{64}$	$3\frac{25}{32}$	7.60
	$2\frac{3}{16}$	T3Y235NΔ*■																

Additional Notes

- Please call 1-866-REXNORD for availability
- Lubrication fitting tap size: for size code 203, 1/4 in-28 UNF: for all other size codes, 1/8 in PT
- * N lip seals standard
- Available with H labyrinth seals
- Δ Available with E3 triple lip seals

For the Selection Guide, Load Ratings and Speed Limits, see the Link-Belt 200 Series Ball Bearing Engineering section on pages 302 - 310.
 Note: Dimensions subject to change. Certified dimensions of ordered material furnished on request.

T3U200

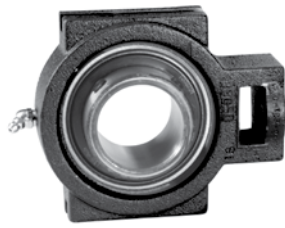
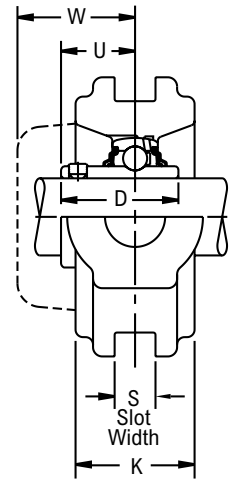
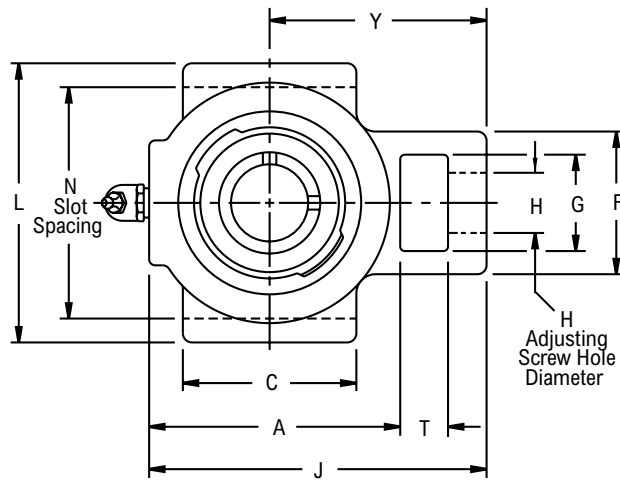


Photo Shows a Ball Bearing Take-up Unit

Product Features

- Corrosion-resistant powder coating
 - Cast iron housing
 - Standard slot design
 - Broad range of sealing options
 - Wide inner ring for increased shaft stability
 - Spring locking setscrew mount
 - Alignable & relubricatable
- See Features and Benefits for additional info on pages 298 - 299.



Bearing Dimensions

Size Code	Shaft Diameter	Part Number	H Adjusting Screw Clearance	N Slot Spacing	S Slot Width	A	C	D	F	G	J	K	L	T	U	W	Y	Approx. Weight
203	⁵ / ₈	T3U210N*■	⁹ / ₁₆	1 ⁷ / ₈	0.281	2 ³ / ₁₆	1 ⁷ / ₈	1 ³ / ₃₂	1 ¹¹ / ₁₆	1 ¹ / ₁₆	3	¹³ / ₁₆	2 ¹ / ₄	¹ / ₂	⁴¹ / ₆₄	1 ¹³ / ₆₄	1 ¹⁵ / ₁₆	1.00
	¹¹ / ₁₆	T3U211N*■																
	¹ / ₂	T3U2B08N*■																
204	17.00	T3U2M17N*■	14.30	47.620	7.140	55.60	47.60	27.78	42.90	27.00	76.20	20.60	57.20	12.70	16.30	30.60	49.20	0.45
	³ / ₄	T3U212N*■	⁹ / ₁₆	2 ¹ / ₈	0.281	2 ¹ / ₂	1 ⁷ / ₈	1 ⁹ / ₃₂	1 ¹¹ / ₁₆	1 ¹ / ₁₆	3 ⁵ / ₁₆	¹⁵ / ₁₆	2 ⁵ / ₈	¹ / ₂	³ / ₄	1 ⁵ / ₁₆	2 ³ / ₃₂	1.50
	20.00	T3U2M20N*■	14.30	53.980	7.140	63.50	47.60	32.54	42.90	27.00	84.10	23.80	66.70	12.70	19.00	33.30	53.20	0.68
205	⁷ / ₈	T3U214N*Δ	⁹ / ₁₆	2 ³ / ₈	0.281	2 ³ / ₄	2	1 ²³ / ₆₄	1 ¹¹ / ₁₆	1 ¹ / ₁₆	3 ⁹ / ₁₆	1	2 ⁷ / ₈	¹ / ₂	⁵¹ / ₆₄	1 ⁵ / ₁₆	2 ⁷ / ₃₂	2.00
	¹⁵ / ₁₆	T3U215N*Δ																
	1	T3U216N*Δ																
206	25.00	T3U2M25N*Δ	14.30	60.320	7.140	69.80	50.80	34.53	42.90	27.00	90.50	25.40	73.00	12.70	20.20	33.30	56.40	0.90
	1 ¹ / ₈	T3U218N*Δ	⁵ / ₈	2 ⁷ / ₈	0.406	3 ¹ / ₄	2 ³ / ₈	1 ⁹ / ₁₆	1 ⁷ / ₈	1 ¹ / ₈	4 ³ / ₁₆	1 ³ / ₃₂	3 ¹ / ₂	⁹ / ₁₆	⁶¹ / ₆₄	1 ²⁹ / ₆₄	2 ¹⁹ / ₃₂	3.00
	1 ³ / ₁₆	T3U219N*Δ																
1 ¹ / ₄	T3U2E20N*Δ																	
207	30.00	T3U2M30N*Δ	15.90	73.020	10.310	82.60	60.30	39.69	47.60	28.60	106.40	27.80	88.90	14.30	24.20	36.90	65.90	1.35
	1 ¹ / ₄	T3U220N*Δ	¹¹ / ₁₆	3 ³ / ₈	0.406	3 ¹¹ / ₁₆	2 ⁵ / ₈	1 ⁴⁹ / ₆₄	2	1 ¹ / ₄	4 ¹¹ / ₁₆	1 ³ / ₁₆	4	⁵ / ₈	1 ⁷ / ₆₄	1 ³⁵ / ₆₄	2 ⁷ / ₈	3.40
	1 ³ / ₈	T3U222N*Δ																
1 ⁷ / ₁₆	T3U223N*Δ																	
208	35.00	T3U2M35N*Δ	17.50	85.720	10.310	93.70	66.70	44.85	50.80	31.80	119.10	30.20	101.60	15.90	28.20	39.30	73.00	1.50
	1 ¹ / ₂	T3U224N*Δ	¹¹ / ₁₆	3 ¹ / ₂	0.406	4 ¹ / ₁₆	2 ⁷ / ₈	1 ²⁹ / ₃₂	2	1 ¹ / ₄	5 ¹ / ₈	1 ¹¹ / ₃₂	4 ¹ / ₈	⁵ / ₈	1 ¹¹ / ₆₄	1 ⁴¹ / ₆₄	3 ¹ / ₈	4.50
	40.00	T3U2M40N*Δ	17.50	88.900	10.310	103.20	73.00	48.42	50.80	31.80	130.20	34.10	104.80	15.90	29.80	41.70	79.40	2.00
209	1 ⁵ / ₈	T3U226N*Δ	⁷ / ₈	3 ³ / ₄	0.406	4 ⁵ / ₁₆	3 ¹ / ₈	2 ¹ / ₃₂	2 ¹ / ₄	1 ⁷ / ₁₆	5 ³ / ₈	1 ³ / ₈	4 ¹ / ₂	⁵ / ₈	1 ¹⁵ / ₆₄	1 ²¹ / ₃₂	3 ¹ / ₄	5.30
	1 ¹¹ / ₁₆	T3U227N*Δ																
	1 ³ / ₄	T3U228N*Δ																
210	45.00	T3U2M45N*Δ	22.20	95.250	10.310	109.50	79.40	51.59	57.20	36.50	136.50	34.90	114.30	15.90	31.40	42.10	82.60	2.40
	1 ¹⁵ / ₁₆	T3U231N*Δ	⁷ / ₈	4	0.406	4 ⁹ / ₁₆	3 ¹ / ₄	2 ³ / ₃₂	2 ¹ / ₄	1 ⁷ / ₁₆	5 ⁵ / ₈	1 ¹³ / ₃₂	4 ³ / ₄	⁵ / ₈	1 ¹⁷ / ₆₄	1 ⁵³ / ₆₄	3 ³ / ₈	6.00
	2	T3U2E32N*Δ																
50.00	T3U2M50N*Δ	22.20																
211	2	T3U232N*Δ	1 ¹ / ₈	4 ¹ / ₂	0.531	5	3 ³ / ₄	2 ¹ / ₄	2 ⁷ / ₈	1 ¹⁵ / ₁₆	6 ¹ / ₄	1 ⁹ / ₁₆	5 ¹ / ₄	³ / ₄	1 ¹³ / ₃₂	2 ¹ / ₆₄	3 ²⁵ / ₃₂	7.60
	2 ³ / ₁₆	T3U235N*Δ																
	55.00	T3U2M55N*Δ																

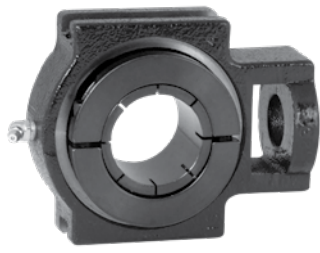
Additional Notes

- Please call 1-866-REXNORD for availability
- Lubrication fitting tap size: for size code 203, 1/4 in-28 UNF; for all other size codes, 1/8 in PT
- * N lip seals standard
- Available with H labyrinth seals
- Δ Available with E3 triple lip seals

For the Selection Guide, Load Ratings and Speed Limits, see the Link-Belt 200 Series Ball Bearing Engineering section on pages 302 - 310.
 Note: Dimensions subject to change. Certified dimensions of ordered material furnished on request.

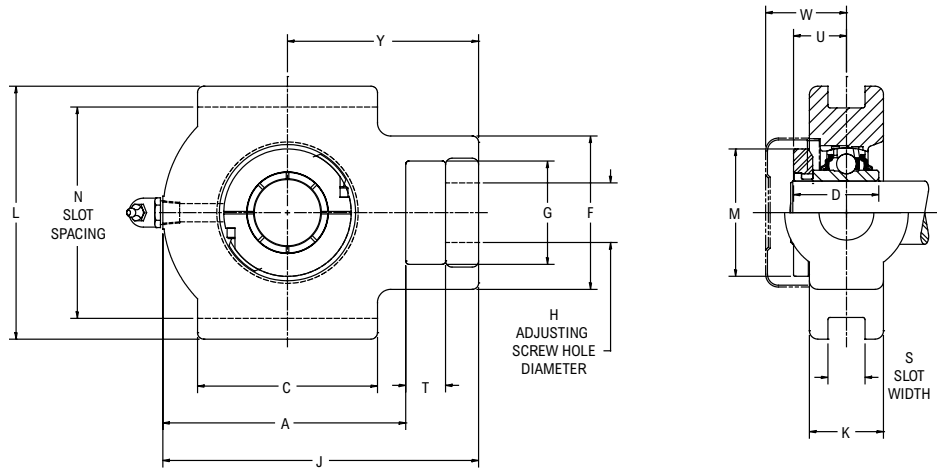
TH3CL200

Interchange: WSTUDL, GRT200, ST-T



Product Features

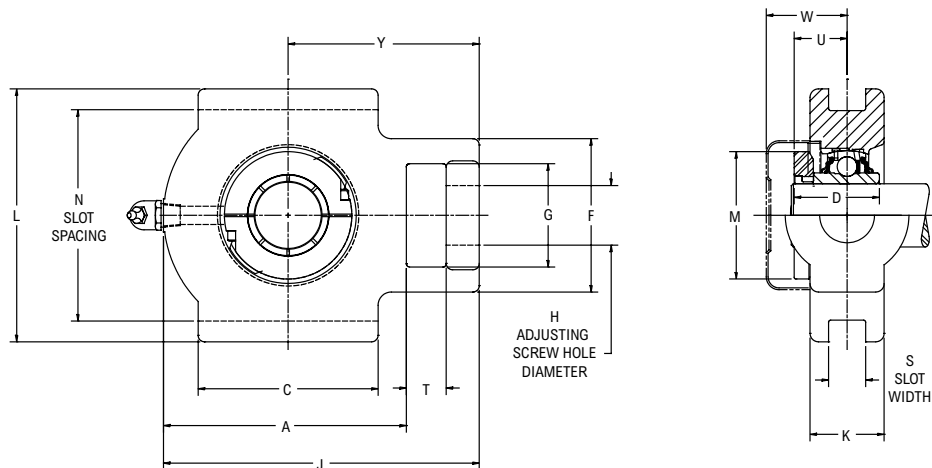
- Corrosion-resistant powder coating
- Cast iron housing
- Wide slot design
- Broad range of sealing options
- Wide inner ring for increased shaft stability
- Alignable & relubricatable
- See Features and Benefits for additional info on pages 298 - 299.



Bearing Dimensions

Size Code	Shaft Diameter	Part Number	H Adjusting Screw Clearance	N Slot Spacing	S Slot Width	A	C	D	F	G	J	K	L	M	T	U	Y	W	Approx. Weight
204	1/2	TH3CL2B08N*Δ	3/4	3	0.531	2 ²⁷ / ₃₂	2 1/4	1 11/ ₃₂	1 7/ ₈	1 1/4	3 ³¹ / ₃₂	1 1/16	3 5/8	2 1/16	5/8	0.84	2 ²¹ / ₃₂	1 21/ ₆₄	2.40
	3/4	TH3CL212N*Δ																	
	20.00	TH3CL2M20N*Δ																	
205	7/8	TH3CL214N*Δ	3/4	3	0.531	2 ²⁹ / ₃₂	2 1/4	1 3/8	1 27/ ₃₂	1 1/4	4 1/32	1 3/32	3 5/8	2 ¹³ / ₆₄	5/8	0.81	2 ²¹ / ₃₂	1 9/ ₁₆	2.70
	15/16	TH3CL215N*Δ																	
	1	TH3CL216N*Δ																	
	25.00	TH3CL2M25N*Δ																	
206	1	TH3CL2B16N*Δ	7/8	3 1/2	0.531	3 11/ ₃₂	2 1/2	1 9/16	2 3/16	1 7/16	4 15/ ₃₂	1 3/32	4 1/8	2 19/ ₃₂	5/8	0.95	2 ²⁷ / ₃₂	1 15/ ₃₂	3.20
	1 1/8	TH3CL218N*Δ																	
	1 3/16	TH3CL219N*Δ																	
	1 1/4	TH3CL2E20N*Δ																	
30.00	TH3CL2M30N*Δ	22.23	88.900	13.490	84.90	63.50	39.62	55.60	36.50	113.50	27.80	104.80	65.88	15.90	24.13	72.20	37.34	1.45	
207	1 3/16	TH3CL2B19N*Δ	7/8	3 1/2	0.531	3 11/ ₁₆	2 3/4	1 3/4	2 5/16	1 7/16	4 13/ ₁₆	1 3/16	4 1/8	3 3/64	5/8	1.09	2 ³¹ / ₃₂	1 37/ ₆₄	4.00
	1 1/4	TH3CL220N*Δ																	
	1 3/8	TH3CL222N*Δ																	
	1 7/16	TH3CL223N*Δ																	
35.00	TH3CL2M35N*Δ	22.23	88.900	13.490	93.70	69.90	44.45	58.70	36.50	122.20	30.20	104.80	77.39	15.90	27.69	75.40	40.13	1.80	
208	1 7/16	TH3CL2B23N*Δ	1 1/8	3.969	0.688	4 3/16	3 1/4	1 15/ ₁₆	2 ²⁷ / ₃₂	1 15/ ₁₆	5 9/16	1 5/16	4 3/4	3 3/16	3/4	1.22	3 15/ ₃₂	1 43/ ₆₄	5.30
	1 1/2	TH3CL224N*Δ																	
	1 5/8	TH3CL2E26N*Δ																	
40.00	TH3CL2M40N*Δ	28.60	100.810	17.480	106.40	82.60	49.28	72.20	49.20	141.30	33.30	120.70	80.96	19.00	30.73	88.10	42.42	2.40	
209	1 1/2	TH3CL2B24N*Δ	1 1/8	3.969	0.688	4 3/16	3 1/4	1 61/ ₆₄	2 7/8	1 15/ ₁₆	5 9/16	1 3/8	4 3/4	3 3/8	3/4	1.20	3 15/ ₃₂	1 11/ ₁₆	5.30
	1 5/8	TH3CL226N*Δ																	
	1 11/16	TH3CL227N*Δ																	
	1 3/4	TH3CL228N*Δ																	
45.00	TH3CL2M45N*Δ	28.60	100.810	17.480	106.40	82.60	49.53	73.00	49.20	141.30	34.90	120.70	85.73	19.00	30.48	88.10	42.67	2.40	
210	1 11/16	TH3CL2B27N*Δ	1 1/8	3.969	0.688	4 9/16	3 3/8	2 5/64	2 7/8	1 15/ ₁₆	5 15/ ₁₆	1 43/ ₆₄	4 3/4	3 3/4	3/4	1.33	3 19/ ₃₂	1 51/ ₆₄	6.60
	1 3/4	TH3CL2B28N*Δ																	
	1 7/8	TH3CL230N*Δ																	
	1 15/16	TH3CL231N*Δ																	
	2	TH3CL2E32N*Δ																	
50.00	TH3CL2M50N*Δ	28.60	100.810	17.480	115.90	85.70	52.58	73.00	49.20	150.80	42.50	120.70	95.25	19.00	33.53	91.30	45.72	3.00	

Continued...



Continued...

Bearing Dimensions

Size Code	Shaft Diameter	Part Number	H Adjusting Screw Clearance	N Slot Spacing	S Slot Width	A	C	D	F	G	J	K	L	M	T	U	Y	W	Approx. Weight
211	1 15/16	TH3CL2B31N*Δ	1 3/8	5.094	1.062	5 7/16	4	2 15/64	3 19/32	2 1/2	7 7/16	1 3/4	5 7/8	4 5/64	1 1/4	1.41	4 23/32	1 15/16	13.50
	2	TH3CL232N*Δ																	
	2 3/16	TH3CL235N*Δ																	
	2 1/4	TH3CL2E36N*Δ																	
	55.00	TH3CL2M55N*Δ	34.90	129.390	26.970	138.10	101.60	56.90	91.30	63.50	188.90	44.50	149.20	103.58	31.80	35.56	119.90	49.28	6.00
212	2 3/16	TH3CL2B35N*Δ	1 3/8	5.094	1.062	5 7/16	4	3 1/16	3 19/32	2 1/2	7 7/16	2 1/16	5 7/8	4 9/32	1 1/4	2.06	4 23/32	2 13/32	12.90
	2 1/4	TH3CL236N*Δ																	
	2 3/8	TH3CL238N*Δ																	
	2 7/16	TH3CL239N*Δ																	
	60.00	TH3CL2M60N*Δ	34.90	129.390	26.970	138.10	101.60	77.72	91.30	63.50	188.90	52.40	149.20	108.74	31.80	52.32	119.90	60.96	5.80

Additional Notes

Please call 1-866-REXNORD for availability
 Lubrication fitting tap size, 1/8 in PT
 * N lip seals standard
 ■ Available with H labyrinth seals
 Δ Available with E3 triple lip seals

For the Selection Guide, Load Ratings and Speed Limits, see the Link-Belt 200 Series Ball Bearing Engineering section on pages 302 - 310.
 Note: Dimensions subject to change. Certified dimensions of ordered material furnished on request.

TH3Y200

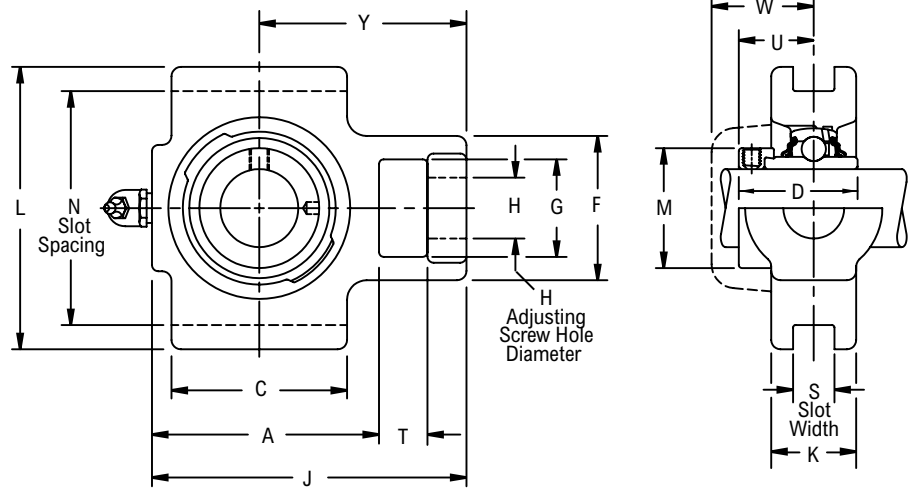
Interchange: WSTUSXR, TU-WF, RTU



Photo Shows a Ball Bearing Take-up Unit

Product Features

- Corrosion-resistant powder coating
- Cast iron housing
- Wide slot design
- Broad range of sealing options
- Wide inner ring for increased shaft stability
- Eccentric cam locking device
- Alignable & relubricatable
- See Features and Benefits for additional info on pages 298 - 299.



Bearing Dimensions

Size Code	Shaft Diameter	Part Number	H Adjusting Screw Clearance	N Slot Spacing	S Slot Width	A	C	D	F	G	J	K	L	M	T	U	W	Y	Approx. Weight
204	3/4	TH3Y212N* \blacksquare	3/4	3	0.531	2 27/32	2 1/4	1 23/32	1 7/8	1 1/4	3 31/32	1 1/16	3 5/8	1 5/16	5/8	1 3/64	1 5/16	2 21/32	2.40
	7/8	TH3Y214N* Δ																	
205	15/16	TH3Y215N* \blacksquare	3/4	3	0.531	2 29/32	2 1/4	1 3/4	1 27/32	1 1/4	4 1/32	1 3/32	3 5/8	1 1/2	5/8	1 1/16	1 5/16	2 21/32	2.70
	1	TH3Y216N* Δ																	
206	1 1/8	TH3Y218N* \blacksquare	7/8	3 1/2	0.531	3 11/32	2 1/2	1 29/32	2 3/16	1 7/16	4 15/32	1 3/32	4 1/8	1 3/4	5/8	1 3/16	1 29/64	2 27/32	3.20
	1 3/16	TH3Y219N* \blacksquare																	
	1 1/4	TH3Y220N* Δ																	
207	1 1/4	TH3Y220N* Δ	7/8	3 1/2	0.531	3 11/16	2 3/4	2 1/64	2 5/16	1 7/16	4 13/16	1 3/16	4 1/8	2 3/16	5/8	1 9/32	1 5/8	2 31/32	4.00
	1 3/8	TH3Y222N* \blacksquare																	
	1 7/16	TH3Y223N* Δ																	
208	1 1/2	TH3Y224N* \blacksquare	1 1/8	3.969	0.688	4 3/16	3 1/4	2 7/32	2 27/32	1 15/16	5 9/16	1 5/16	4 3/4	2 3/8	3/4	1 3/8	1 41/64	3 15/32	5.30
	1 5/8	TH3Y226N* \blacksquare																	
209	1 11/16	TH3Y227N* \blacksquare	1 1/8	3.969	0.688	4 3/16	3 1/4	2 7/32	2 7/8	1 15/16	5 9/16	1 3/8	4 3/4	2 1/2	3/4	1 3/8	1 3/4	3 15/32	5.30
	1 3/4	TH3Y228N* Δ																	
210	1 15/16	TH3Y231N* \blacksquare	1 1/8	3.969	0.688	4 9/16	3 3/8	2 15/32	2 7/8	1 15/16	5 15/16	1 43/64	4 3/4	2 3/4	3/4	1 1/2	1 25/32	3 19/32	6.60
	2	TH3Y232N* Δ																	
211	2	TH3Y232N* Δ	1 3/8	5.094	1.062	5 7/16	4	2 13/16	3 19/32	2 1/2	7 7/16	1 3/4	5 7/8	3	1 1/4	1 23/32	2 1/64	4 23/32	13.50
	2 3/16	TH3Y235N* \blacksquare																	
212	2 1/4	TH3Y236N* \blacksquare	1 3/8	5.094	1.062	5 7/16	4	3 1/16	3 19/32	2 1/2	7 7/16	2 1/16	5 7/8	3 5/16	1 1/4	1 27/32	2 7/64	4 23/32	12.90
	2 3/8	TH3Y238N* \blacksquare																	
	2 7/16	TH3Y239N* \blacksquare																	

Additional Notes

- Please call 1-866-REXNORD for availability
- Lubrication fitting tap size, 1/8 in PT
- * N lip seals standard
- \blacksquare Available with H labyrinth seals
- Δ Available with E3 triple lip seals

For the Selection Guide, Load Ratings and Speed Limits, see the Link-Belt 200 Series Ball Bearing Engineering section on pages 302 - 310.
Note: Dimensions subject to change. Certified dimensions of ordered material furnished on request.

TH3U200

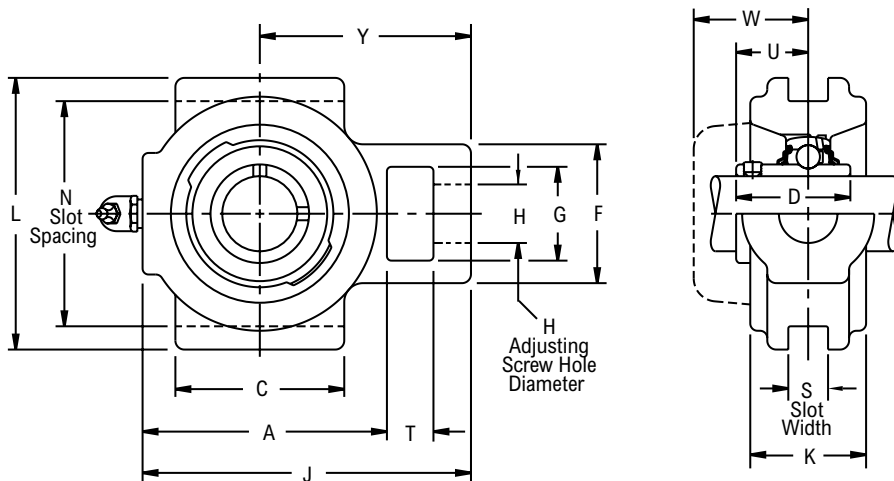
Interchange: WSTUSC, TU-TF, UCT200, ST, YTU



Photo Shows a Ball Bearing Take-up Unit

Product Features

- Corrosion-resistant powder coating
- Cast iron housing
- Wide slot design
- Broad range of sealing options
- Wide inner ring for increased shaft stability
- Spring locking setscrew mount
- Alignable & relubricatable
- See Features and Benefits for additional info on pages 298 - 299.



Bearing Dimensions

Size Code	Shaft Diameter	Part Number	H Adjusting Screw Clearance	N Slot Spacing	S Slot Width	A	C	D	F	G	J	K	L	T	U	W	Y	Approx. Weight
204	3/4	TH3U212N* ■	3/4	3	0.531	2 27/32	2 1/4	1 9/32	1 7/8	1 1/4	3 31/32	1 1/16	3 5/8	5/8	3/4	1 5/16	2 21/32	2.40
	7/8	TH3U214N* Δ																
205	15/16	TH3U215N* ■	3/4	3	0.531	2 29/32	2 1/4	1 23/64	1 27/32	1 1/4	4 1/32	1 3/32	3 5/8	5/8	51/64	1 5/16	2 21/32	2.70
	1	TH3U216N* Δ																
206	1 1/8	TH3U218N* Δ	7/8	3 1/2	0.531	3 11/32	2 1/2	1 9/16	2 3/16	1 7/16	4 15/32	1 3/32	4 1/8	5/8	61/64	1 29/64	2 27/32	3.20
	1 3/16	TH3U219N* ■																
	1 1/4	TH3U220N* Δ																
207	1 1/4	TH3U220N* Δ	7/8	3 1/2	0.531	3 11/16	2 3/4	1 49/64	2 5/16	1 7/16	4 13/16	1 3/16	4 1/8	5/8	1 7/64	1 35/64	2 31/32	4.00
	1 3/8	TH3U222N* ■														1 5/8		
	1 7/16	TH3U223N* Δ														1 35/64		
208	1 1/2	TH3U224N* Δ	1 1/8	3.969	0.688	4 3/16	3 1/4	1 29/32	2 27/32	1 15/16	5 9/16	1 5/16	4 3/4	3/4	1 11/64	1 41/64	3 15/32	5.30
	1 5/8	TH3U226N* ■																
209	1 11/16	TH3U227N* Δ	1 1/8	3.969	0.688	4 3/16	3 1/4	2 1/32	2 7/8	1 15/16	5 9/16	1 3/8	4 3/4	3/4	1 15/64	1 21/32	3 15/32	5.30
	1 3/4	TH3U228N* Δ																
210	1 15/16	TH3U231N* ■	1 1/8	3.969	0.688	4 9/16	3 3/8	2 3/32	2 7/8	1 15/16	5 15/16	1 43/64	4 3/4	3/4	1 17/64	1 25/32	3 19/32	6.60
	2	TH3U232N* Δ																
211	2	TH3U232N* Δ	1 3/8	5.094	1.062	5 7/16	4	2 1/4	3 19/32	2 1/2	7 7/16	1 3/4	5 7/8	1 1/4	1 13/32	2 1/64	4 23/32	13.50
	2 3/16	TH3U235N* ■																
212	2 1/4	TH3U236N* Δ	1 3/8	5.094	1.062	5 7/16	4	2 1/2	3 19/32	2 1/2	7 7/16	2 1/16	5 7/8	1 1/4	1 9/16	2 7/64	4 23/32	12.90
	2 3/8	TH3U238N* Δ																
	2 7/16	TH3U239N* Δ																

Additional Notes

- Please call 1-866-REXNORD for availability
- Lubrication fitting tap size, 1/8 in PT
- * N lip seals standard
- Available with H labyrinth seals
- Δ Available with E3 triple lip seals

For the Selection Guide, Load Ratings and Speed Limits, see the Link-Belt 200 Series Ball Bearing Engineering section on pages 302 - 310.

Note: Dimensions subject to change. Certified dimensions of ordered material furnished on request.

TH3S200

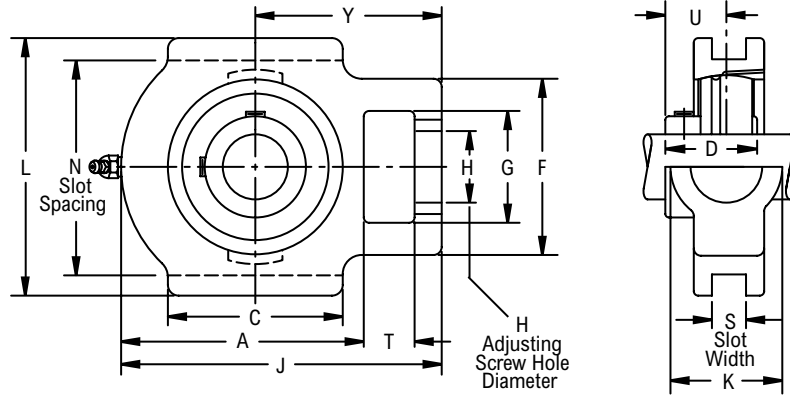
Interchange: WSTUVSC, VTWS100



Photo Shows a Ball Bearing Take-up Unit

Product Features

- Corrosion-resistant powder coating
- Cast iron housing
- Wide slot design
- Broad range of sealing options
- Spring locking setscrew mount
- Alignable & relubricatable
- See Features and Benefits for additional info on pages 298 - 299.



Bearing Dimensions

Size Code	Shaft Diameter	Part Number	H Adjusting Screw Hole Diameter	N Slot Spacing	S Slot Width	A	C	D	F	G	J	K	L	T	U	Y	Approx. Weight
204	³ / ₄	TH3S212E♦♦ □Δ	³ / ₄	3.000	0.531	2 ⁷ / ₈	2	1 ¹ / ₈	2	1 ¹ / ₄	3 ⁷ / ₈	1 ³ / ₈	3 ¹ / ₂	⁵ / ₈	³ / ₄	2 ⁷ / ₁₆	1.86
	20.00	TH3S2M20E♦♦ □Δ	19.00	76.200	13.490	73.02	50.80	28.58	50.80	31.80	98.40	34.90	88.90	15.90	19.00	61.90	0.80
205	⁷ / ₈	TH3S214E♦♦ □Δ	³ / ₄	3.000	0.531	2 ⁷ / ₈	2	1 ¹¹ / ₆₄	2	1 ¹ / ₄	3 ⁷ / ₈	1 ³ / ₈	3 ¹ / ₂	⁵ / ₈	⁵ / ₆₄	2 ⁷ / ₁₆	1.85
	¹⁵ / ₁₆	TH3S215E♦♦ □Δ															1.82
	1	TH3S216E♦♦ □Δ															1.79
	25.00	TH3S2M25E♦♦ □Δ															19.00
206	1 ¹ / ₈	TH3S218E♦♦ □Δ	⁷ / ₈	3.500	0.531	3 ³ / ₈	2 ¹ / ₄	1 ¹¹ / ₃₂	2 ³ / ₁₆	1 ⁷ / ₁₆	4 ¹ / ₂	1 ⁹ / ₁₆	4 ¹ / ₈	¹¹ / ₁₆	⁶¹ / ₆₄	2 ³ / ₄	2.75
	1 ³ / ₁₆	TH3S219E♦♦ □Δ															2.72
	1 ¹ / ₄	TH3S220E♦♦ □Δ															2.69
	30.00	TH3S2M30E♦♦ □Δ															22.20
207	1 ¹ / ₄	TH3S220E♦♦ □Δ	⁷ / ₈	3.500	0.531	4	2 ¹ / ₂	1 ⁹ / ₁₆	2 ³ / ₈	1 ⁷ / ₁₆	5	1 ⁹ / ₁₆	4 ¹ / ₈	¹¹ / ₁₆	1 ⁷ / ₆₄	3 ¹ / ₁₆	3.19
	1 ³ / ₈	TH3S222E♦♦ □Δ															3.09
	1 ⁷ / ₁₆	TH3S223E♦♦ □Δ															3.03
	35.00	TH3S2M35E♦♦ □Δ															22.20
208	1 ¹ / ₂	TH3S224E♦♦ □Δ	1 ¹ / ₈	3.969	0.688	4 ³ / ₁₆	3 ¹ / ₄	1 ²¹ / ₃₂	3 ¹ / ₄	1 ¹⁵ / ₁₆	5 ⁵ / ₈	2 ¹ / ₁₆	4 ³ / ₄	⁷ / ₈	1 ¹¹ / ₆₄	3 ¹ / ₂	5.24
	1 ⁵ / ₈	TH3S226E♦♦ □Δ															5.10
	40.00	TH3S2M40E♦♦ □Δ															28.60
209	1 ³ / ₈	TH3S226E♦♦ □Δ	1 ¹ / ₈	3.969	0.688	4 ³ / ₁₆	3 ¹ / ₄	1 ⁴⁹ / ₆₄	3 ¹ / ₄	1 ¹⁵ / ₁₆	5 ⁵ / ₈	2 ¹ / ₁₆	4 ³ / ₄	⁷ / ₈	1 ¹⁵ / ₆₄	3 ⁷ / ₁₆	4.84
	1 ¹¹ / ₁₆	TH3S227E♦♦ □Δ															4.77
	1 ³ / ₄	TH3S228E♦♦ □Δ															4.70
	1 ⁷ / ₈	TH3S230E♦♦ □Δ															4.96
210	1 ¹⁵ / ₁₆	TH3S231E♦♦ □Δ	1 ¹ / ₈	3.969	0.688	4 ⁷ / ₁₆	3 ¹ / ₄	1 ¹³ / ₁₆	3 ¹ / ₄	1 ¹⁵ / ₁₆	5 ⁷ / ₈	2 ¹ / ₁₆	4 ³ / ₄	⁷ / ₈	1 ¹⁷ / ₆₄	3 ⁹ / ₁₆	4.87
	2	TH3S2E32E♦♦ □Δ															4.78
	2	TH3S232E♦♦ □Δ															8.78
211	2 ³ / ₁₆	TH3S235E♦♦ □Δ	1 ³ / ₈	5.094	1.062	4 ⁷ / ₈	3 ³ / ₄	1 ¹³ / ₁₆	4	2 ¹ / ₂	6 ¹³ / ₁₆	2 ¹ / ₂	5 ⁷ / ₈	1 ³ / ₁₆	1 ⁹ / ₃₂	4 ³ / ₁₆	8.58
	2 ¹ / ₄	TH3S2E36E♦♦ □Δ															8.38
	2 ¹ / ₄	TH3S236E♦♦ □Δ															9.67
212	2 ³ / ₈	TH3S238E♦♦ □Δ	1 ³ / ₈	5.094	1.062	5 ⁵ / ₈	4	1 ⁵⁷ / ₆₄	4	2 ¹ / ₂	7 ⁹ / ₁₆	2 ¹ / ₂	5 ⁷ / ₈	1 ³ / ₁₆	1 ⁵ / ₁₆	4 ¹¹ / ₁₆	9.43
	2 ⁷ / ₁₆	TH3S239E♦♦ □Δ															9.31
215	2 ¹⁵ / ₁₆	TH3S247E♦♦ □Δ	1 ⁵ / ₈	5.906	1.062	6 ²⁷ / ₃₂	4 ³ / ₄	2 ¹⁷ / ₆₄	4 ³ / ₁₆	2 ³ / ₄	8 ¹⁵ / ₁₆	2 ³ / ₄	6 ¹¹ / ₁₆	1 ⁵ / ₁₆	1 ¹⁵ / ₃₂	5 ¹ / ₂	14.24

Additional Notes

- Please call 1-866-REXNORD for availability
- Lubrication fitting tap size, 1/8 in PT
- Lip seals standard
- ♦ Available with E1 viton seals for all size codes
- Available with free running style seals, add suffix ♦ FF, □ HFF or Δ MHFF for all size codes

For the Selection Guide, Load Ratings and Speed Limits, see the Link-Belt 200 Series Ball Bearing Engineering section on pages 302 - 310.
 Note: Dimensions subject to change. Certified dimensions of ordered material furnished on request.

CHBS200

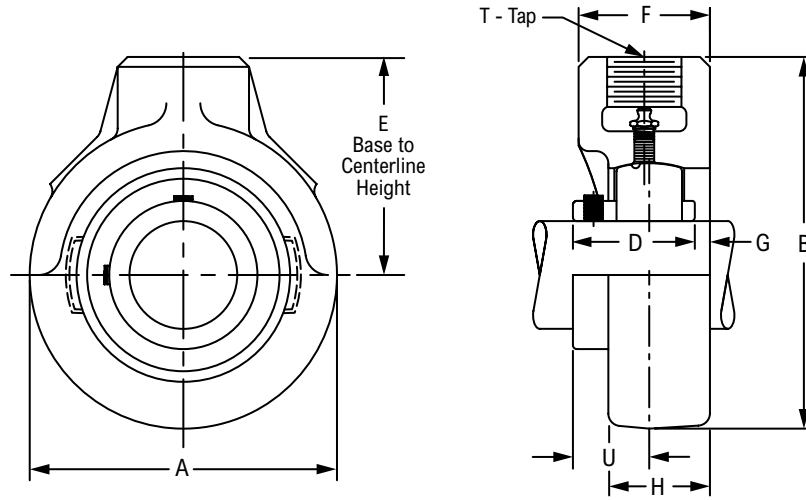
Interchange: SCHB, UCHA200



Photo Shows a Screw Conveyor Hanger Ball Bearing Unit

Product Features

- Corrosion-resistant powder coating
- Cast iron housing
- Broad range of sealing options
- Spring locking setscrew mount
- Alignable & relubricatable
- See Features and Benefits for additional info on pages 298 - 299.



Bearing Dimensions

Size Code	Shaft Diameter	Part Number	E Base to Centerline Height	T		A	B	D	F	G	H	U	Approx. Weight
				Depth	Tap								
206	1 1/8	CHBS218E♦♦ □Δ	2 1/2	5/8	3/4-14	3 3/8	4 3/16	1 11/32	1 21/32	7/16	1 7/32	61/64	2.25
	1 3/16	CHBS219E♦♦ □Δ											2.22
	1 1/4	CHBS220E♦♦ □Δ											2.19
	30.00	CHBS2M30E♦♦ □Δ	63.50	15.90	3/4-14	85.70	106.40	34.14	42.10	11.10	31.00	24.20	1.00
207	1 1/4	CHBS220E♦♦ □Δ	2 3/4	5/8	3/4-14	3 7/8	4 11/16	1 9/16	1 21/32	3/8	1 9/32	1 7/64	3.34
	1 3/8	CHBS222E♦♦ □Δ											3.24
	1 7/16	CHBS223E♦♦ □Δ											3.18
	35.00	CHBS2M35E♦♦ □Δ	69.80	15.90	3/4-14	98.40	119.10	39.67	42.10	9.50	32.50	28.20	1.50
208	1 1/2	CHBS224E♦♦ □Δ	2 7/8	5/8	3/4-14	4	4 7/8	1 21/32	1 21/32	11/32	1 11/32	1 11/64	3.39
	1 5/8	CHBS2E26E♦♦ □Δ											3.25
	40.00	CHBS2M40E♦♦ □Δ											73.00
210	1 7/8	CHBS230E♦♦ □Δ	3 1/4	13/16	1-11 1/2	4 5/8	5 9/16	1 13/16	1 7/8	13/32	1 13/32	1 17/64	4.81
	1 15/16	CHBS231E♦♦ □Δ											4.72
	2	CHBS2E32E♦♦ □Δ											4.63
212	2 3/8	CHBS238E♦♦ □Δ	4	1 1/8	1 1/4-11 1/2	5 5/8	6 13/16	1 57/64	2 5/16	37/64	1 5/8	1 5/16	8.08
	2 7/16	CHBS239E♦♦ □Δ											7.96
215	2 3/4	CHBS244E♦♦ □Δ	4 5/8	1 1/4	1 1/2-11 1/2	6 1/2	7 7/8	2 17/64	2 3/4	37/64	1 31/32	1 15/32	12.14
	2 15/16	CHBS247E♦♦ □Δ											11.64

Additional Notes

- Please call 1-866-REXNORD for availability
- Lubrication fitting tap size, 1/8 in. PT
- Base to centerline tolerance, +/- .005 in (+/- 0.13 mm)
- Lip seals standard
- ♦ Available with E1 viton seals for all size codes
- ♦ Nickel plated housings available, add suffix K75

Available with free running style seals, add suffix ♦ FF, □ HFF or Δ MHFF for all size codes
 For the Selection Guide, Load Ratings and Speed Limits, see the Link-Belt 200 Series
 Ball Bearing Engineering section on pages 302 - 310.

Note: Dimensions subject to change. Certified dimensions of ordered material furnished on request.

EHBS200

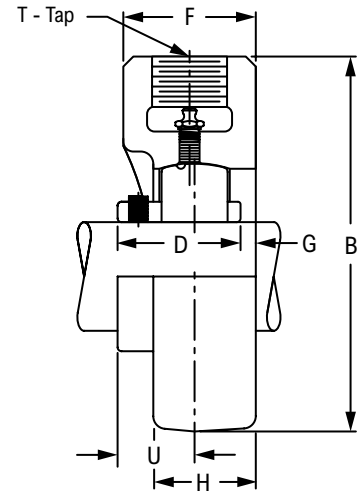
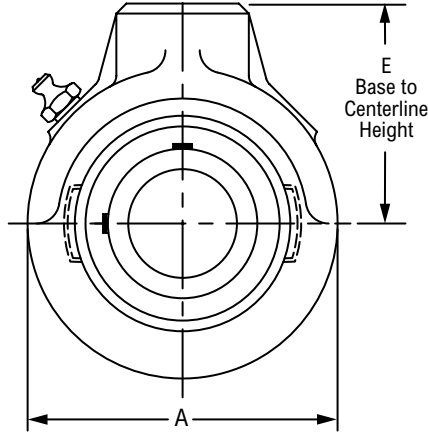
Interchange: SEHB



Photo Shows a Screw Conveyor Hanger Ball Bearing Unit

Product Features

- Corrosion-resistant powder coating
- Cast iron housing
- Broad range of sealing options
- Spring locking setscrew mount
- Alignable & relubricatable
- See Features and Benefits for additional info on pages 298 - 299.



Bearing Dimensions

Size Code	Shaft Diameter	Part Number	E Base to Centerline Height	T		A	B	D	F	G	H	U	Approx. Weight
				Depth	Tap								
206	1 1/8	EHBS218E◆●□△	2 1/2	5/8	3/4-14	3 3/8	4 3/16	1 11/32	1 21/32	7/16	1 7/32	61/64	2.25
	1 3/16	EHBS219E◆●□△											2.22
	1 1/4	EHBS2E20E◆●□△											2.19
	30.00	EHBS2M30E◆●□△	63.50	15.90	3/4-14	85.70	106.40	34.14	42.10	11.10	31.00	24.20	1.00
207	1 1/4	EHBS220E◆●□△	2 3/4	5/8	3/4-14	3 7/8	4 11/16	1 9/16	1 21/32	3/8	1 9/32	1 7/64	3.34
	1 3/8	EHBS222E◆●□△											3.24
	1 7/16	EHBS223E◆●□△											3.18
	35.00	EHBS2M35E◆●□△	69.80	15.90	3/4-14	98.40	119.10	39.67	42.10	9.50	32.50	28.20	1.50
208	1 1/2	EHBS224E◆●□△	2 7/8	5/8	3/4-14	4	4 7/8	1 21/32	1 21/32	11/32	1 11/32	1 11/64	3.39
	1 5/8	EHBS2E26E◆●□△											3.25
	40.00	EHBS2M40E◆●□△											73.00
210	1 7/8	EHBS230E◆●□△	3 1/4	13/16	1-11 1/2	4 5/8	5 9/16	1 13/16	1 7/8	13/32	1 13/32	1 17/64	4.81
	1 15/16	EHBS231E◆●□△											4.72
	2	EHBS2E32E◆●□△											4.63
212	2 3/8	EHBS238E◆●□△	4	1 1/8	1 1/4-11 1/2	5 5/8	6 13/16	1 57/64	2 5/16	37/64	1 5/8	1 5/16	8.08
	2 7/16	EHBS239E◆●□△											7.96
215	2 3/4	EHBS244E◆●□△	4 5/8	1 1/4	1 1/2-11 1/2	6 1/2	7 7/8	2 17/64	2 3/4	37/64	1 31/32	1 15/32	12.14
	2 15/16	EHBS247E◆●□△											11.64

Additional Notes

- Please call 1-866-REXNORD for availability
- Lubrication fitting tap size, 1/8 in PT
- Base to centerline tolerance, +/- .005 in (+/- 0.13 mm)
- Lip seals standard
- ◆ Available with E1 viton seals for all size codes
- ◆ Nickel plated housings available, add suffix K75

Available with free running style seals, add suffix ● FF, □ HFF or △ MHFF for all size codes
For the Selection Guide, Load Ratings and Speed Limits, see the Link-Belt 200 Series
Ball Bearing Engineering section on pages 302 - 310.

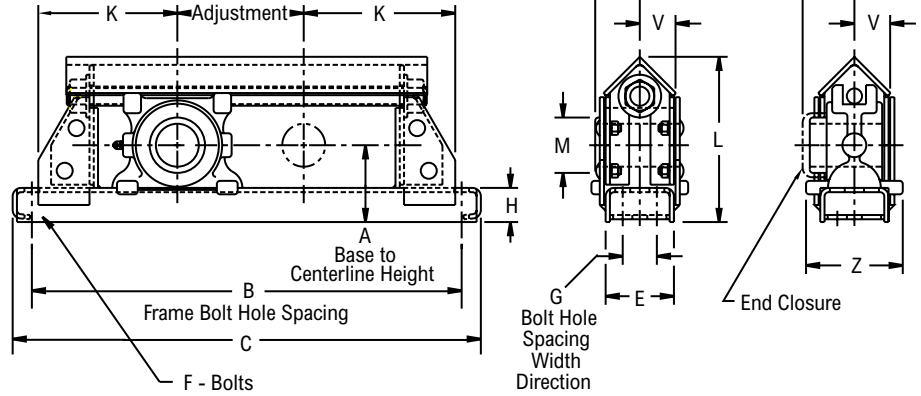
Note: Dimensions subject to change. Certified dimensions of ordered material furnished on request.



Photo Shows a Hinged Top, Welded Steel Conveyor Take-up Frame with Ball Bearing Take-up Unit

Product Features

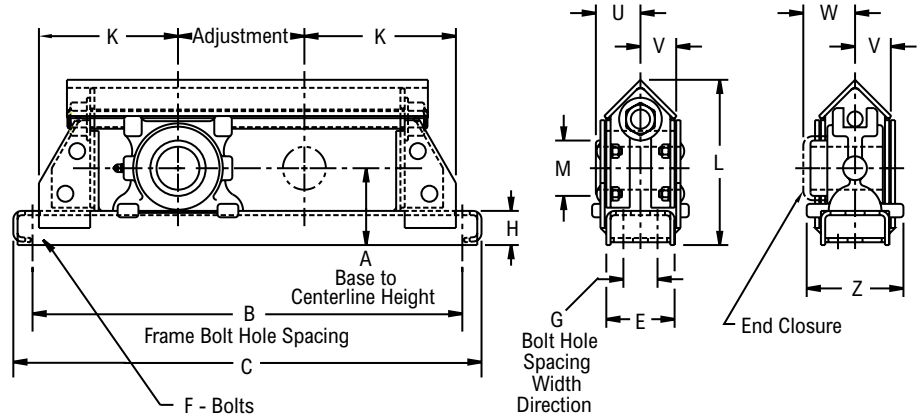
- Protected screw type steel frame
- Corrosion-resistant powder coating
- Cast iron housing
- Broad range of sealing options
- Wide inner ring for increased shaft stability
- Spring locking setscrew mount
- Alignable & relubricatable
- TD3U200 take-up unit
- See Features and Benefits for additional info on pages 298 - 299.



Bearing Dimensions

Size Code	Shaft Diameter	Adjust. Length	Part Number	A Base to Centerline Height	B Frame Bolt Hole Spacing	G Bolt Hole Spacing Width Direction	C	E	F Bolts	H	K	L	M	U	V	W	Z	Approx. Weight
210	1 15/16	12	TDS3U231N12*Δ	3 15/16	26 1/2	-	28 1/2	3	5/8	1 3/4	7 1/4	8 1/4	-	1 17/64	55/64	1 15/16	4 1/8	41.00
		18	TDS3U231N18*Δ		32 1/2		34 1/2											47.00
		24	TDS3U231N24*Δ		38 1/2		40 1/2											52.00
	50.00	305	TDS3U2M50N12*Δ	100.00	673.10	-	723.90	76.20	16.00	44.40	184.20	209.60	-	32.10	21.80	49.20	104.80	18.45
		457	TDS3U2M50N18*Δ		825.50		876.30											21.15
610		TDS3U2M50N24*Δ	977.90		1,028.70		23.40											
211	2 3/16	12	TDS3U235N12*Δ	4 3/16	27 1/2	-	29 1/2	3	5/8	1 3/4	7 3/4	8 11/16	-	1 13/32	55/64	2 3/32	4 1/8	45.00
		18	TDS3U235N18*Δ		33 1/2		35 1/2											51.00
		24	TDS3U235N24*Δ		39 1/2		41 1/2											56.00
	55.00	305	TDS3U2M55N12*Δ	106.40	698.50	-	749.30	76.20	16.00	44.40	196.80	220.70	-	35.70	21.80	53.30	104.80	20.25
		457	TDS3U2M55N18*Δ		850.90		901.70											22.95
610		TDS3U2M55N24*Δ	1,003.30		1,054.10		25.20											
212	2 7/16	12	TDS3U239N12*Δ	4 3/8	28 1/2	-	30 1/2	3	3/4	1 3/4	8 1/4	9 1/8	-	1 9/16	31/32	2 5/32	4 1/8	52.00
		18	TDS3U239N18*Δ		34 1/2		36 1/2											58.00
		24	TDS3U239N24*Δ		40 1/2		42 1/2											63.00
	60.00	30	TDS3U239N30*Δ	111.10	46 1/2	-	48 1/2	76.20	20.00	44.40	209.60	231.80	-	39.70	24.60	54.80	104.80	68.00
		305	TDS3U2M60N12*Δ		725.90		774.70											23.40
457		TDS3U2M60N18*Δ	876.30		927.10		26.10											
215	2 15/16	12	TDSU247N12*Δ	5 1/8	30 1/2	2	32 1/2	4	5/8	2	9 1/4	10 5/8	4 5/8	1 13/16	1 5/32	2 13/64	5 1/8	76.00
		18	TDSU247N18*Δ		36 1/2		38 1/2											85.00
		24	TDSU247N24*Δ		42 1/2		44 1/2											93.00
	75.00	30	TDSU247N30*Δ	130.20	48 1/2	50.80	50 1/2	101.60	16.00	50.80	235.00	269.90	117.50	46.00	29.40	56.00	130.20	101.00
		305	TDSU2M75N12 *Δ		774.70		825.50											34.20
457		TDSU2M75N18 *Δ	927.10		977.90		38.25											
217	3 7/16	12	TDSU255N12*Δ	5 5/8	32	2	34 1/2	4	3/4	2	10	11 13/16	5 3/16	2 1/8	1 7/16	2 1/2	5 5/8	99.00
		18	TDSU255N18*Δ		38		40 1/4											108.00
		24	TDSU255N24*Δ		44		46 1/4											116.00
	85.00	30	TDSU255N30*Δ	142.90	50	50.80	52 1/4	101.60	20.00	50.80	254.00	300.00	131.80	54.00	36.50	63.50	142.90	124.00
		305	TDSU2M85N12 *Δ		812.80		870.00											44.55
457		TDSU2M85N18 *Δ	965.20		1,022.40		48.60											

Continued...



Continued...

Bearing Dimensions

Size Code	Shaft Diameter	Adjust. Length	Part Number	A Base to Centerline Height	B Frame Bolt Hole Spacing	G Bolt Hole Spacing Width Direction	C	E	F Bolts	H	K	L	M	U	V	W	Z	Approx. Weight
217	85.00	610	TDSU2M85N24 *Δ	142.90	1,117.60	50.80	1,174.80	101.60	20.00	50.80	254.00	300.00	131.80	54.00	36.50	63.50	142.90	52.20
		762	TDSU2M85N30 *Δ		1,270.00		1,327.20											55.80
220	3 15/16	12	TDSU263N12*	7	36	2 1/2	38 1/2	5	3/4	2 1/4	12	14 11/16	5 15/16	2 37/64	1 45/64	3 1/64	6 7/8	173.00
		18	TDSU263N18*		42		44 1/2											185.00
		24	TDSU263N24*		48		50 1/2											195.00
		30	TDSU263N30*		54		56 1/2											205.00
		305	TDSU2M100N12*		914.40		977.90											77.85
	100.00	457	TDSU2M100N18*	1,066.80	1,130.30	83.25												
		610	TDSU2M100N24*	1,219.20	1,282.70	87.75												
		762	TDSU2M100N30*	1,371.60	1,435.10	92.25												
		305	TDSU2M100N12*	914.40	977.90	77.85												
		457	TDSU2M100N18*	1,066.80	1,130.30	83.25												

Additional Notes

Please call 1-866-REXNORD for availability
 Lubrication fitting tap size, 1/8 in PT
 Closed end take-ups available, add suffix C
 Size code 220 has hinged top construction
 Frames with 18 in (457.20 mm) adjustment or more have center supporting pad welded to bottom of frame
 * N lip seals standard

■ Available with H labyrinth seals
 Δ Available with E3 triple lip seals
 For the Selection Guide, Load Ratings and Speed Limits, see the Link-Belt 200 Series Ball Bearing Engineering section on pages 302 - 310.
 Note: Dimensions subject to change. Certified dimensions of ordered material furnished on request.

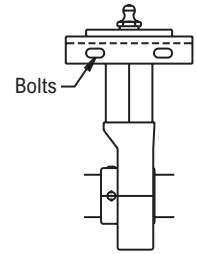
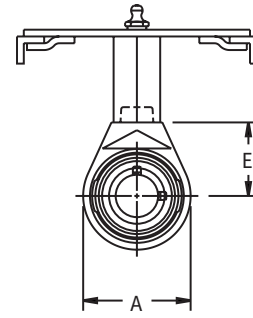
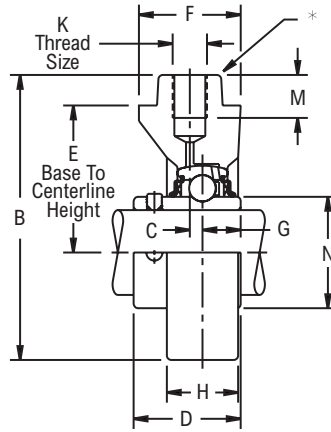
HM3U200



Photo Shows a Screw Conveyor Hanger Ball Bearing Unit

Product Features

- Corrosion-resistant powder coating
- High test iron housing
- Broad range of sealing options
- Wide inner ring for increased shaft stability
- Spring locking setscrew mount
- Alignable & relubricatable
- See Features and Benefits for additional info on pages 298 - 299.



Typical Installation

Bearing Dimensions

Size Code	Shaft Diameter	Part Number	E Base to Centerline Height	K Thread Size	A	B	C	D	F	G	H	M	N	Approx. Weight
208	1 1/2	HM3U224N*Δ■	2 1/2	3/4-10 NC	3 7/8	5.19	0.218	1 29/32	1 3/4	0.7340	0.97	1.00	2.083	5.00
210	2	HM3U2E32N*Δ■	2 1/2	3/4-10 NC	4 3/8	5.44	0.170	2 3/32	1 3/4	0.8280	0.91	1.00	2.475	6.30
212	2 7/16	HM3U239N*Δ■	3 5/8	7/8-9 NC	5 1/4	7.00	0.310	2 1/2	2 1/2	0.9380	1.75	1.06	3.012	11.30
215	3	HM3U2E48N*Δ	3 5/8	7/8-9 NC	6 1/8	7.44	0.375	2 7/8	2 1/2	1.0620	2.00	1.06	3.624	12.90
217	3 7/16	HM3U255N*Δ	4 1/2	1 1/8-12 NF	7 1/2	9.25	0.344	3 9/16	3 9/16	1.4380	2.56	1.88	4.158	24.80

Additional Notes

- Please call 1-866-REXNORD for availability
- Size codes 208 & 210 to fit 1 1/4 in square tubing
- Size codes 212 & 215 to fit 1 3/4 in square tubing
- Size code 217 to fit 2 1/2 in square tubing
- * N lip seals standard
- Available with H labyrinth seals

Δ Available with E3 triple lip seals

For the Selection Guide, Load Ratings and Speed Limits, see the Link-Belt 200 Series Ball Bearing Engineering section on pages 302 - 310.

Note: Dimensions subject to change. Certified dimensions of ordered material furnished on request.

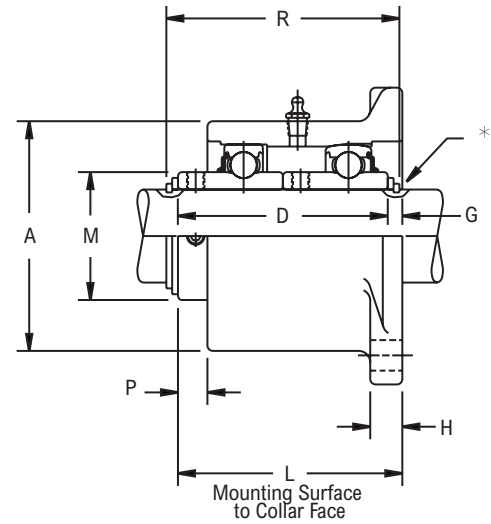
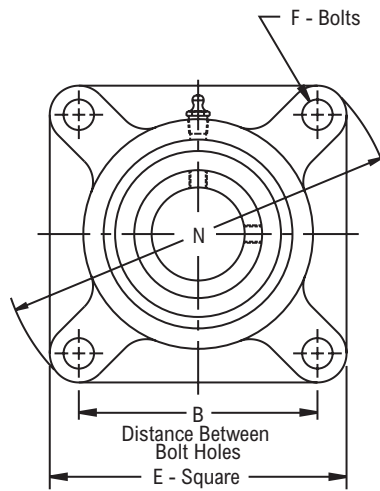
FF200



Photo Shows a 4-Bolt Ball Bearing Screw Conveyor Trough End Flanged Unit

Product Features

- Corrosion-resistant powder coating
- Cast iron housing
- 2 ball bearing inserts in housing
- Spring locking setscrew mount
- Relubricatable
- See Features and Benefits for additional info on pages 298 - 299.



Bearing Dimensions

Size Code	Shaft Diameter	Part Number	Replacement Bearing Number	B Distance Between Bolt Holes	L Mounting Surface to Collar Face	A	D	E	F Bolts	G	H	M	N	P	R	Approx. Weight
208	1 1/2	FF224N*	UR224A	4	4 1/16	4	3 13/16	5 1/8	1/2	1/4	9/16	-	6 25/32	1/2	4 7/32	10.00
	2	FF232N*	UR232A		5 1/8	4 13/16	4 15/16	4 1/2	6 3/8	5/8	5/16	11/16	-	8 1/2	5/8	5 1/32
212	2 7/16	FF239N*	UR239A	5 5/8	5 5/16	5 3/8	5	6 7/8	5/8	5/16	11/16	-	9 7/32	19/32	5 17/32	20.80
	2 3/4	FF244N*	UR244A		6	6 1/16	6 3/8	5 3/4	7 3/4	3/4	5/16	3/4	4 5/8	10 1/4	11/16	6 9/32
215	2 15/16	FF247N*	UR247A	6	6 1/16	6 3/8	5 3/4	7 3/4	3/4	5/16	3/4	4 5/8	10 1/4	11/16	6 9/32	31.10
	3	FF248N*	UR248A													
217	3 7/16	FF255N*	UR255A	6 3/4	7 5/8	7	7 1/8	8 9/16	3/4	1/2	1	5 3/16	11 3/8	3/4	7 23/32	50.20

Additional Notes

- Please call 1-866-REXNORD for availability
- Lubrication fitting tap size: for size codes 212 and below, 1/4 in PT; for all other size codes, 3/8 in PT
- Support thrust load (preferably in shear) with heavy duty snap ring and square face washer
- Includes two bearings with seals and inner ring setscrews or collar with setscrews

* N lip seals standard

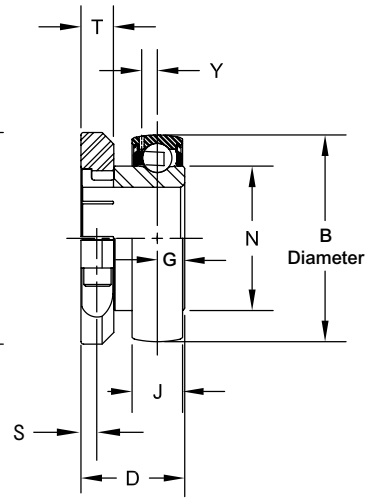
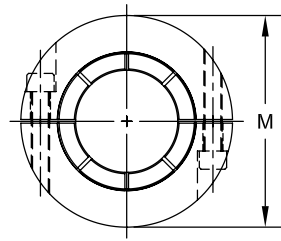
For the Selection Guide, Load Ratings and Speed Limits, see the Link-Belt 200 Series Ball Bearing Engineering section on pages 302 - 310.

Note: Dimensions subject to change. Certified dimensions of ordered material furnished on request.

CLG200NL



Photo Shows an Unmounted Ball Bearing Unit



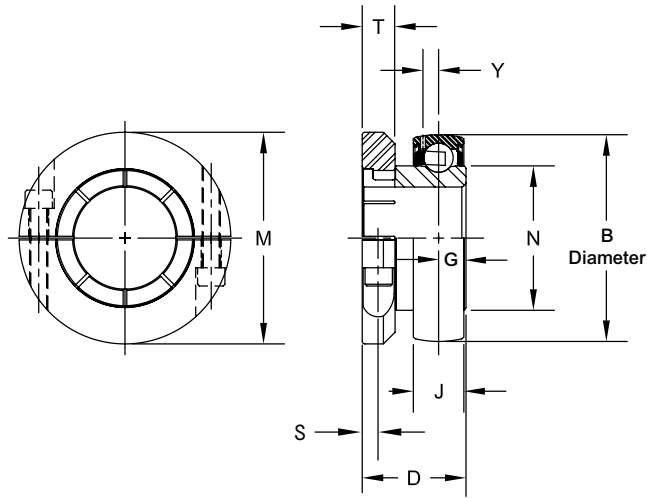
Product Features

- Broad range of sealing options
- Wide inner ring for increased shaft stability
- Spring locking setscrew mount
- Sealed & relubricatable
- Spherical O.D.
- See Features and Benefits for additional info on pages 298 - 299.

Bearing Dimensions

Size Code	Shaft Diameter	Spherical		B O.D.	D	G	M Collar O.D.	N	S	T		Y	Approx. Weight											
		Part Number	J Outer Ring Width							Width	Tap													
203	1/2	CLG2B08NL*■	0.5118	1.5748	1 5/32	0.4531	1 5/8	0.941	0.15	9/32	#8-32	0.158	0.25											
	5/8	CLG210NL*■																						
	11/16	CLG211NL*■																						
204	17.00	CLG2M17NL*■	13.0000	40.0000	29.37	11.5090	41.28	23.900	3.80	23/64	#10-32	4.010	0.10											
	20.00	CLG2M20NL*■	15.0000	47.0000	33.34	13.4940	52.39	28.470	4.80			4.470	0.20											
205	3/4	CLG212NL*■	0.5906	1.8504	1 5/16	0.5313	2 1/16	1.121	0.19	23/64	#10-32	0.176	0.50											
	20.00	CLG2M20NL*■												15.0000	47.0000	33.34	13.4940	52.39	28.470	4.80				
	7/8	CLG214NL*▲												0.5906	2.0472	1 29/64	0.5625	2 13/64	1.313	0.22	23/64	#10-32	0.176	0.50
	15/16	CLG215NL*▲																						
206	1	CLG216NL*▲	0.7087	2.4409	1 17/32	0.6094	2 19/32	1.587	0.22	23/64	#10-32	0.202	0.80											
	25.00	CLG2M25NL*▲												15.0000	52.0000	36.91	14.2880	55.96	33.350	5.60	4.470	0.20		
207	1 1/8	CLG218NL*▲	0.7087	2.4409	1 17/32	0.6094	2 19/32	1.587	0.22	23/64	#10-32	0.202	0.80											
	1 3/16	CLG219NL*▲																						
	1 1/4	CLG2E20NL*▲												18.0000	62.0000	38.89	15.4780	65.88	40.310	5.60				
	30.00	CLG2M30NL*▲																						
207	1 1/4	CLG220NL*▲	0.7480	2.8346	1 47/64	0.6563	3 3/64	1.847	0.25	7/16	#1/4-28	0.239	1.20											
	1 3/8	CLG222NL*▲																						
	1 7/16	CLG223NL*▲																						
208	35.00	CLG2M35NL*▲	19.0000	72.0000	44.05	16.6690	77.39	46.910	6.40	7/16	#1/4-28	6.070	0.55											
	1 1/2	CLG224NL*▲	0.8661	3.1496	1 31/32	0.7344	3 3/16	2.083	0.32			7/16	#1/4-28	0.253	1.50									
	40.00	CLG2M40NL*▲														22.0000	80.0000	50.01	18.6530	80.96	52.910	8.10	6.430	0.70
209	1 5/8	CLG226NL*▲	0.8661	3.3465	1 31/32	0.7969	3 3/8	2.281	0.32	7/16	#1/4-28	0.254	2.00											
	1 11/16	CLG227NL*▲																						
	1 3/4	CLG228NL*▲												22.0000	85.0000	50.01	20.2410	85.73	57.940	8.10				
	45.00	CLG2M45NL*▲																						
210	1 15/16	CLG231NL*▲	0.8661	3.5433	2 5/64	0.8281	3 3/4	2.475	0.38	9/16	#3/8-24	0.268	2.20											
	2	CLG2E32NL*▲																						
	50.00	CLG2M50NL*▲												22.0000	90.0000	52.78	21.0340	95.25	62.860	9.60	6.810	1.00		

Continued...



Continued...

Bearing Dimensions

Size Code	Shaft Diameter	Spherical		B O.D.	D	G	M Collar O.D.	N	S	T		Y	Approx. Weight
		Part Number	J Outer Ring Width							Width	Tap		
211	2	CLG232NL* Δ	0.9843	3.9370	2 ¹⁵ / ₆₄	0.8438	4 ⁵ / ₆₄	2.749	0.38	9/16	#3/8-24	0.295	2.40
	2 ³ / ₁₆	CLG235NL* Δ										7.490	1.10
	55.00	CLG2M55NL* Δ										25.0000	100.0000
212	2 ¹ / ₄	CLG236NL* Δ	1.0630	4.3307	2 ¹⁹ / ₃₂	0.9375	4 ⁹ / ₃₂	3.012	0.38	9/16	#3/8-24	0.330	3.40
	2 ³ / ₈	CLG238NL* Δ										8.380	1.50
	60.00	CLG2M60NL* Δ										27.0000	110.0000
213	2 ¹ / ₂	CLG240NL* Δ	1.0630	4.7244	2 ³ / ₄	1.0000	4 ⁵ / ₆₄	3.331	-	3/4	#3/8-24	0.343	5.80
	2 ¹¹ / ₁₆	CLG243NL* Δ										8.710	2.60
	65.00	CLG2M65NL* Δ										27.0000	120.0000
215	2 ³ / ₄	CLG244NL* Δ	1.1417	5.1181	2 ⁵⁹ / ₆₄	1.0625	5 ¹ / ₄	3.624	-	3/4	#3/8-24	0.367	7.30
	2 ¹⁵ / ₁₆	CLG247NL* Δ										9.320	3.30
	75.00	CLG2M75NL* Δ										29.0000	130.0000
217	3 ⁷ / ₁₆	CLG255NL* Δ	1.3386	5.9055	3 ³⁹ / ₆₄	1.4375	5 ²³ / ₃₂	4.158	-	3/4	#3/8-24	0.415	9.50
	3 ¹ / ₂	CLG2E56NL* Δ										10.540	4.30
	85.00	CLG2M85NL* Δ										34.0000	150.0000
220	3 ¹⁵ / ₁₆	CLG263NL*	1.5748	7.0866	4 ⁷ / ₆₄	1.6719	6 ¹ / ₂	4.913	-	3/4	#3/8-24	0.504	16.00
	4	CLG2E64NL*										12.800	7.20
	100.00	CLG2M100NL*										40.0000	180.0000

Additional Notes

Please call 1-866-REXNORD for availability

Bearing O.D. tolerance for size code 208 and below, +.0000 in/-.0005 in
(+0.000 mm/-0.013 mm)

Bearing O.D. tolerance for size codes 209 thru 214, +.0000 in/-.0006 in
(+0.000 mm/-0.015 mm)

Bearing O.D. tolerance for size codes 215 thru 217, +.0000 in/-.0008 in
(+0.000 mm/-0.020 mm)

Bearing O.D. tolerance for all other size codes, +.0000 in/-.0010 in
(+0.000 mm/-0.025 mm)

* N lip seals with flingers standard

■ Available with H labyrinth seals

Δ Available with E3 triple lip seals

For the Selection Guide, Load Ratings and Speed Limits, see the Link-Belt 200 Series Ball Bearing Engineering section on pages 302 - 310.

Note: Dimensions subject to change. Certified dimensions of ordered material furnished on request.

Y200, YB200

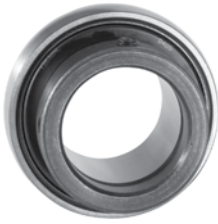
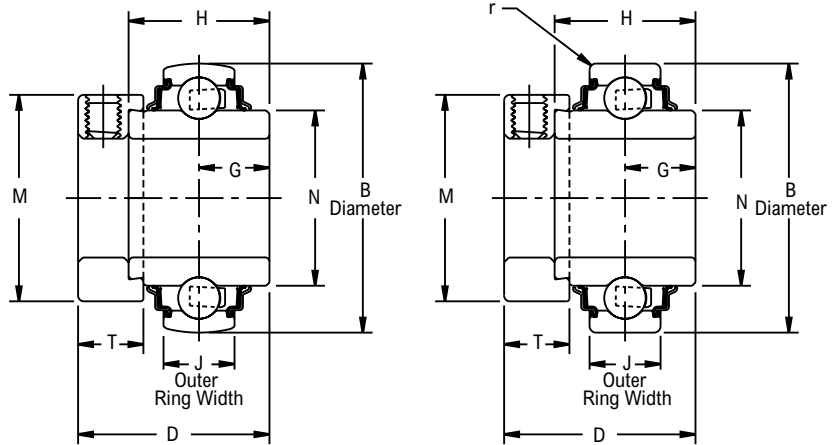


Photo Shows an Unmounted Ball Bearing Unit

Product Features

- Broad range of sealing options
- Wide inner ring for increased shaft stability
- Eccentric cam locking device
- Sealed & non-relubricatable
- Spherical or Cylindrical O.D.
- See Features and Benefits for additional info on pages 298 - 299.



Bearing Dimensions

Size Code	Shaft Diameter	Cylindrical		Spherical		B O.D.	D	G	H	M	N	r	T	Approx. Weight
		Part Number	J Outer Ring Width	Part Number	J Outer Ring Width									
203	1/2	YB2B08NL* \blacksquare	0.4724	Y2B08NL* \blacksquare	0.5118	1.5748	1 15/32	0.5469	1.0938	1 1/8	0.941	0.024	17/32	0.30
	5/8	YB210NL* \blacksquare		Y210NL* \blacksquare										
	11/16	YB211NL* \blacksquare		Y211NL* \blacksquare										
204	3/4	YB212NL* \blacksquare	0.5512	Y212NL* \blacksquare	0.5906	1.8504	1 23/32	0.6719	1.3438	1 5/16	1.121	0.039	17/32	0.50
205	7/8	YB214NL* Δ \blacksquare	0.5906	Y214NL* Δ \blacksquare	0.5906	2.0472	1 3/4	0.6875	1.3750	1 1/2	1.313	0.039	17/32	0.70
	15/16	YB215NL* Δ \blacksquare		Y215NL* Δ \blacksquare										
	1	YB216NL* Δ \blacksquare		Y216NL* Δ \blacksquare										
206	1 1/8	YB218NL* Δ \blacksquare	0.6299	Y218NL* Δ \blacksquare	0.7087	2.4409	1 29/32	0.7188	1.4375	1 3/4	1.587	0.039	5/8	0.90
	1 3/16	YB219NL* Δ \blacksquare		Y219NL* Δ \blacksquare										
	1 1/4	YB2E20NL* Δ \blacksquare		Y2E20NL* Δ \blacksquare										
207	1 1/4	YB220NL* Δ \blacksquare	0.6693	Y220NL* Δ \blacksquare	0.7480	2.8346	2 1/64	0.7422	1.4844	2 3/16	1.847	0.039	11/16	1.55
	1 3/8	YB222NL* Δ \blacksquare		Y222NL* Δ \blacksquare										
	1 7/16	YB223NL* Δ \blacksquare		Y223NL* Δ \blacksquare										
208	1 1/2	YB224NL* Δ \blacksquare	0.7087	Y224NL* Δ \blacksquare	0.8661	3.1496	2 7/32	0.8438	1.6875	2 3/8	2.083	0.039	23/32	1.90
209	1 5/8	YB226NL* Δ \blacksquare	0.7480	Y226NL* Δ \blacksquare	0.8661	3.3465	2 7/32	0.8438	1.6875	2 1/2	2.281	0.039	23/32	2.10
	1 11/16	YB227NL* Δ \blacksquare		Y227NL* Δ \blacksquare										
	1 3/4	YB228NL* Δ \blacksquare		Y228NL* Δ \blacksquare										
210	1 15/16	YB231NL* Δ \blacksquare	0.7874	Y231NL* Δ \blacksquare	0.8661	3.5433	2 15/32	0.9688	1.9375	2 3/4	2.475	0.039	23/32	2.10
	2	YB2E32NL* Δ \blacksquare		Y2E32NL* Δ \blacksquare										
	2	YB232NL* Δ \blacksquare		Y232NL* Δ \blacksquare										
211	1 1/2	YB235NL* Δ \blacksquare	0.8268	Y235NL* Δ \blacksquare	0.9843	3.9370	2 13/16	1.0938	2.1875	3	2.749	0.059	13/16	3.40
	2 3/16	YB236NL* Δ \blacksquare		Y236NL* Δ \blacksquare										
	2 1/4	YB238NL* Δ \blacksquare		Y238NL* Δ \blacksquare										
212	2 3/8	YB239NL* Δ \blacksquare	0.8661	Y239NL* Δ \blacksquare	1.0630	4.3307	3 1/16	1.2188	2.4375	3 1/4	3.012	0.059	7/8	3.80
	2 7/16	YB236NL* Δ \blacksquare		Y236NL* Δ \blacksquare										
	2 3/8	YB238NL* Δ \blacksquare		Y238NL* Δ \blacksquare										

Additional Notes

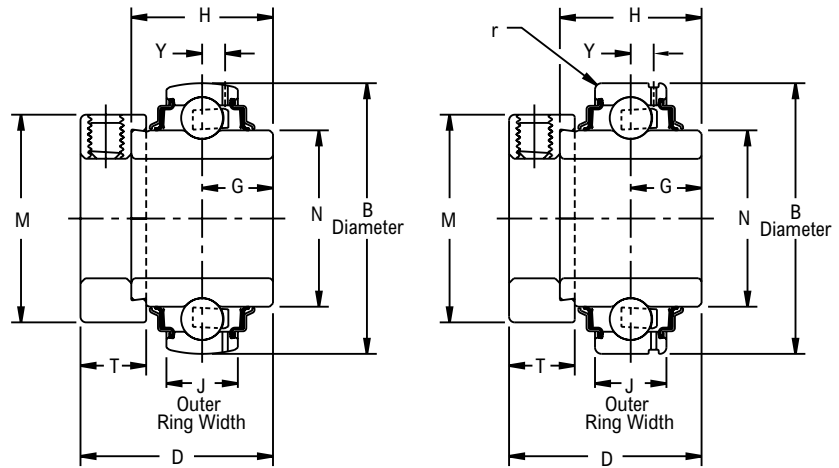
- Please call 1-866-REXNORD for availability
- Dimension "r", max fillet radius of housing to clear bearing corner
- Bearing O.D. tolerance for size code 208 and below, +.0000 in/-.0005 in (+0.000 mm/-0.013 mm); for all other size codes, +.0000 in/-.0006 in (+0.000 mm/-0.015 mm)
- * N lip seals standard
- \blacksquare Available with H labyrinth seals

- Δ Available with E3 triple lip seals
- For the Selection Guide, Load Ratings and Speed Limits, see the Link-Belt 200 Series Ball Bearing Engineering section on pages 302 - 310.
- Note: Dimensions subject to change. Certified dimensions of ordered material furnished on request.

YG200, YBG200



Photo Shows an Unmounted Ball Bearing Unit



Product Features

- Broad range of sealing options
- Wide inner ring for increased shaft stability
- Eccentric cam locking device
- Sealed & relubricatable
- Spherical or Cylindrical O.D.
- See Features and Benefits for additional info on pages 298 - 299.

Bearing Dimensions

Size Code	Shaft Diameter	Cylindrical		Spherical		B O.D.	D	G	H	M	N	r	T	Y	Approx. Weight
		Part Number	J Outer Ring Width	Part Number	J Outer Ring Width										
203	1/2	YBG2B08NL*■	0.4724	YG2B08NL*■	0.5118	1.5748	1 15/32	0.5469	1.0938	1 1/8	0.941	0.024	17/32	0.158	0.30
	5/8	YBG210NL*■		YG210NL*■											
	11/16	YBG211NL*■		YG211NL*■											
204	3/4	YBG212NL*■	0.5512	YG212NL*■	0.5906	1.8504	1 23/32	0.6719	1.3438	1 5/16	1.121	0.039	17/32	0.176	0.50
205	7/8	YBG214NL*Δ	0.5906	YG214NL*Δ	0.5906	2.0472	1 3/4	0.6875	1.3750	1 1/2	1.313	0.039	17/32	0.176	0.70
	15/16	YBG215NL*Δ		YG215NL*Δ											
	1	YBG216NL*Δ		YG216NL*Δ											
206	1 1/8	YBG218NL*Δ	0.7087	YG218NL*Δ	0.7087	2.4409	1 29/32	0.7188	1.4375	1 3/4	1.587	0.039	5/8	0.202	0.90
	1 3/16	YBG219NL*Δ		YG219NL*Δ											
	1 1/4	YBG2E20NL*Δ		YG2E20NL*Δ											
207	1 1/4	YBG220NL*Δ	0.7480	YG220NL*Δ	0.7480	2.8346	2 1/64	0.7422	1.4844	2 3/16	1.847	0.039	11/16	0.239	1.55
	1 3/8	YBG222NL*Δ		YG222NL*Δ											
	1 7/16	YBG223NL*Δ		YG223NL*Δ											
208	1 1/2	YBG224NL*Δ	0.8268	YG224NL*Δ	0.8661	3.1496	2 7/32	0.8438	1.6875	2 3/8	2.083	0.039	23/32	0.253	1.90
209	1 5/8	YBG226NL*Δ	0.8661	YG226NL*Δ	0.8661	3.3465	2 7/32	0.8438	1.6875	2 1/2	2.281	0.039	23/32	0.254	2.10
	1 11/16	YBG227NL*Δ		YG227NL*Δ											
	1 3/4	YBG228NL*Δ		YG228NL*Δ											
210	1 15/16	YBG231NL*Δ	0.9055	YG231NL*Δ	0.8661	3.5433	2 15/32	0.9688	1.9375	2 3/4	2.475	0.039	23/32	0.268	2.10
	2	YBG2E32NL*Δ		YG2E32NL*Δ											
211	2	YBG232NL*Δ	0.9843	YG232NL*Δ	0.9843	3.9370	2 13/16	1.0938	2.1875	3	2.749	0.059	13/16	0.295	3.40
	2 3/16	YBG235NL*Δ		YG235NL*Δ											
	2 1/4	YBG236NL*Δ		YG236NL*Δ											
212	2 3/8	YBG238NL*Δ	1.0630	YG238NL*Δ	1.0630	4.3307	3 1/16	1.2188	2.4375	3 1/4	3.012	0.059	7/8	0.330	3.80
	2 3/4	YBG239NL*Δ		YG239NL*Δ											
	2 7/16	YBG239NL*Δ		YG239NL*Δ											

Additional Notes

- Please call 1-866-REXNORD for availability
- Dimension "r", max fillet radius of housing to clear bearing corner
- Bearing O.D. tolerance for size code 208 and below, +.0000 in/-0.0005 in (+0.000 mm/-0.013 mm); for all other size codes, +.0000 in/-0.0006 in (+0.000 mm/-0.015 mm)
- * N lip seals standard
- Available with H labyrinth seals

Δ Available with E3 triple lip seals

For the Selection Guide, Load Ratings and Speed Limits, see the Link-Belt 200 Series Ball Bearing Engineering section on pages 302 - 310.

Note: Dimensions subject to change. Certified dimensions of ordered material furnished on request.

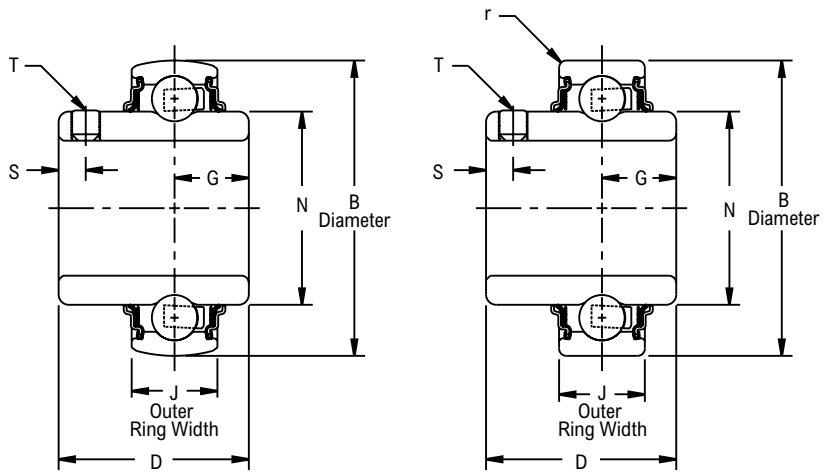
U200, UB200



Photo Shows an Unmounted Ball Bearing Unit

Product Features

- Broad range of sealing options
- Wide inner ring for increased shaft stability
- Spring locking setscrew mount
- Sealed & non-relubricatable
- Spherical or Cylindrical O.D.
- See Features and Benefits for additional info on pages 298 - 299.



Bearing Dimensions

Size Code	Shaft Diameter	Cylindrical		Spherical		B O.D.	D	G	N	r	S	T	Approx. Weight
		Part Number	J Outer Ring Width	Part Number	J Outer Ring Width								
203	1/2	UB2B08NL*■	0.4724	U2B08NL*■	0.5118	1.5748	1 3/32	0.4531	0.941	0.024	0.15	#10-32	0.25
	5/8	UB210NL*■		U210NL*■									
	11/16	UB211NL*■		U211NL*■									
	17.00	UB2M17NL*■	12.0000	U2M17NL*■	13.0000	40.0000	27.78	11.5090	23.900	0.610	3.80	#10-32	0.10
204	3/4	UB212NL*■	0.5512	U212NL*■	0.5906	1.8504	1 9/32	0.5313	1.121	0.039	0.19	#1/4-28	0.50
	20.00	UB2M20NL*■	14.0000	U2M20NL*■	15.0000	47.0000	32.54	13.4940	28.470	1.000	4.80	#1/4-28	0.20
205	7/8	UB214NL*Δ	0.5906	U214NL*Δ	0.5906	2.0472	1 29/64	0.5625	1.313	0.039	0.22	#1/4-28	0.50
	15/16	UB215NL*Δ		U215NL*Δ									
	1	UB216NL*Δ		U216NL*Δ									
	25.00	UB2M25NL*Δ		15.0000									
206	1 1/8	UB218NL*Δ	0.6299	U218NL*Δ	0.7087	2.4409	1 9/16	0.6094	1.587	0.039	0.22	#1/4-28	0.80
	1 3/16	UB219NL*Δ		U219NL*Δ									
	1 1/4	UB2E20NL*Δ		U2E20NL*Δ									
	30.00	UB2M30NL*Δ		16.0000									
207	1 1/4	UB220NL*Δ	0.6693	U220NL*Δ	0.7480	2.8346	1 49/64	0.6563	1.847	0.039	0.25	#5/16-24	1.20
	1 3/8	UB222NL*Δ		U222NL*Δ									
	1 7/16	UB223NL*Δ		U223NL*Δ									
	35.00	UB2M35NL*Δ	17.0000	U2M35NL*Δ	19.0000	72.0000	44.85	16.6690	46.910	1.000	6.40	#5/16-24	0.55
208	1 1/2	UB224NL*Δ	0.7087	U224NL*Δ	0.8661	3.1496	1 29/32	0.7344	2.083	0.039	0.32	#5/16-24	1.50
	40.00	UB2M40NL*Δ	18.0000	U2M40NL*Δ	22.0000	80.0000	48.42	18.6530	52.910	1.000	8.10	#5/16-24	0.70
209	1 5/8	UB226NL*Δ	0.7480	U226NL*Δ	0.8661	3.3465	2 1/32	0.7969	2.281	0.039	0.32	#5/16-24	2.00
	1 11/16	UB227NL*Δ		U227NL*Δ									
	1 3/4	UB228NL*Δ		U228NL*Δ									
	45.00	UB2M45NL*Δ		19.0000									
210	1 15/16	UB231NL*Δ	0.7874	U231NL*Δ	0.8661	3.5433	2 3/32	0.8261	2.475	0.039	0.38	#3/8-24	2.20
	2	UB2E32NL*Δ		U2E32NL*Δ									
	50.00	UB2M50NL*Δ		20.0000									
211	2	UB232NL*Δ	0.8268	U232NL*Δ	0.9843	3.9370	2 1/4	0.8438	2.749	0.059	0.38	#3/8-24	2.40
	2 3/16	UB235NL*Δ		U235NL*Δ									
	55.00	UB2M55NL*Δ		21.0000									
212	2 1/4	UB236NL*Δ	0.8661	U236NL*Δ	1.0630	4.3307	2 1/2	0.9375	3.012	0.059	0.38	#3/8-24	3.40
	2 3/8	UB238NL*Δ		U238NL*Δ									
	2 7/16	UB239NL*Δ		U239NL*Δ									
	60.00	UB2M60NL*Δ		22.0000									

Additional Notes

- Please call 1-866-REXNORD for availability
- Dimension "r", max fillet radius of housing to clear bearing corner
- Bearing O.D. tolerance for size code 208 and below, +.0000 in/-0.0005 in (+0.000 mm/-0.013 mm); for all other size codes, +.0000 in/-0.0006 in (+0.000 mm/-0.015 mm)
- * N lip seals standard
- Available with H labyrinth seals

- Δ Available with E3 triple lip seals
- For the Selection Guide, Load Ratings and Speed Limits, see the Link-Belt 200 Series Ball Bearing Engineering section on pages 302 - 310.
- Note: Dimensions subject to change. Certified dimensions of ordered material furnished on request.

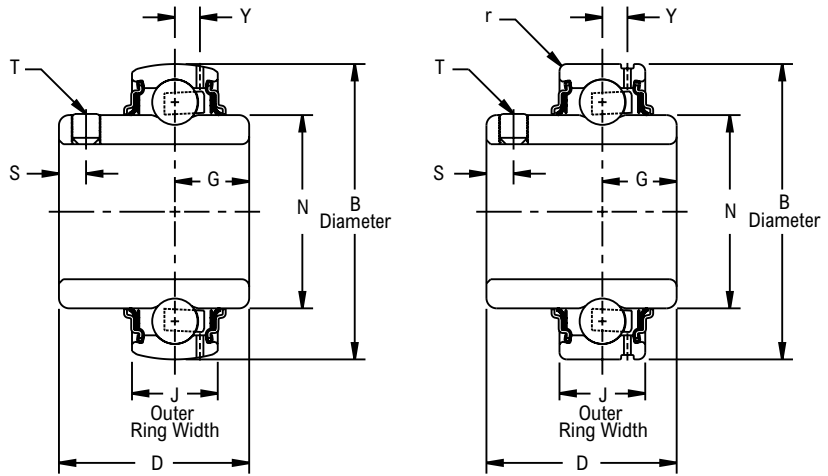
UG200, UBG200



Photo Shows an Unmounted Ball Bearing Unit

Product Features

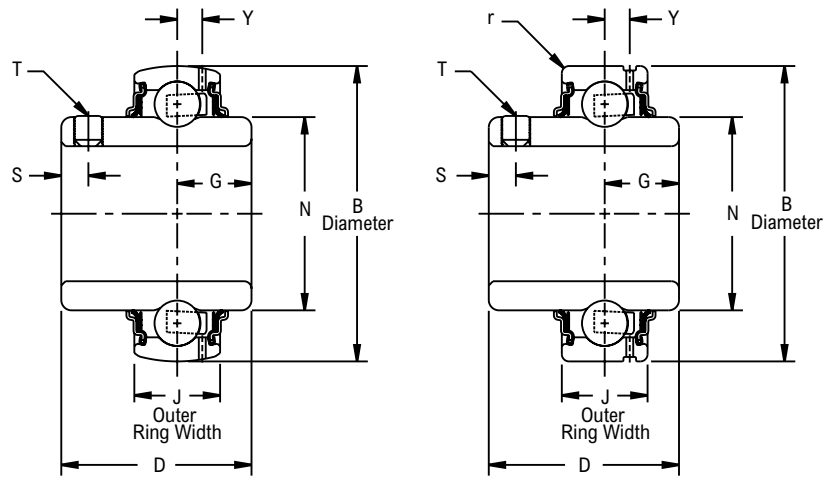
- Broad range of sealing options
- Wide inner ring for increased shaft stability
- Spring locking setscrew mount
- Sealed & relubricatable
- Spherical or Cylindrical O.D.
- See Features and Benefits for additional info on pages 298 - 299.



Bearing Dimensions

Size Code	Shaft Diameter	Cylindrical		Spherical		B O.D.	D	G	M	N	r	S	T	Y	Approx. Weight	
		Part Number	J Outer Ring Width	Part Number	J Outer Ring Width											
203	1/2	UBG2B08NL* \blacksquare	0.4724	UG2B08NL* \blacksquare	0.5118	1.5748	1 3/32	0.4531	-	0.941	0.024	0.15	#10-32	0.158	0.25	
	5/8	UBG210NL* \blacksquare														UG210NL* \blacksquare
	11/16	UBG211NL* \blacksquare														UG211NL* \blacksquare
	17.00	UBG2M17NL*\blacksquare	12.0000	UG2M17NL*\blacksquare	13.0000	40.0000	27.78	11.5090	-	23.900	0.610	3.80	#10-32	4.010	0.10	
204	3/4	UBG212NL* \blacksquare	0.5512	UG212NL* \blacksquare	0.5906	1.8504	1 9/32	0.5313	-	1.121	0.039	0.19	#1/4-28	0.176	0.50	
	20.00	UBG2M20NL*\blacksquare	14.0000	UG2M20NL*\blacksquare	15.0000	47.0000	32.54	13.4940	-	28.470	1.000	4.80	#1/4-28	4.470	0.20	
205	7/8	UBG214NL* Δ	0.5906	UG214NL* Δ	0.5906	2.0472	1 29/64	0.5625	-	1.313	0.039	0.22	#1/4-28	0.176	0.50	
	15/16	UBG215NL* Δ		UG215NL* Δ												
	1	UBG216NL* Δ		UG216NL* Δ												
	25.00	UBG2M25NL*Δ		15.0000												UG2M25NL*Δ
206	1 1/8	UBG218NL* Δ	0.7087	UG218NL* Δ	0.7087	2.4409	1 9/16	0.6094	-	1.587	0.039	0.22	#1/4-28	0.202	0.80	
	1 3/16	UBG219NL* Δ		UG219NL* Δ												
	1 1/4	UBG2E20NL* Δ		UG2E20NL* Δ												
	30.00	UBG2M30NL*Δ		18.0000												UG2M30NL*Δ
207	1 1/4	UBG220NL* Δ	0.7480	UG220NL* Δ	0.7480	2.8346	1 49/64	0.6563	-	1.847	0.039	0.25	#5/16-24	0.239	1.20	
	1 3/8	UBG222NL* Δ		UG222NL* Δ												
	1 7/16	UBG223NL* Δ		UG223NL* Δ												
	35.00	UBG2M35NL*Δ		19.0000												UG2M35NL*Δ
208	1 1/2	UBG224NL* Δ	0.8268	UG224NL* Δ	0.8661	3.1496	1 29/32	0.7344	-	2.083	0.039	0.32	#5/16-24	0.253	1.50	
	40.00	UBG2M40NL*Δ	21.0000	UG2M40NL*Δ	22.0000	80.0000	48.42	18.6530	-	52.910	1.000	8.10	#5/16-24	6.430	0.70	
209	1 5/8	UBG226NL* Δ	0.8661	UG226NL* Δ	0.8661	3.3465	2 1/32	0.7969	-	2.281	0.039	0.32	#5/16-24	0.254	2.00	
	1 11/16	UBG227NL* Δ		UG227NL* Δ												
	1 3/4	UBG228NL* Δ		UG228NL* Δ												
	45.00	UBG2M45NL*Δ		22.0000												UG2M45NL*Δ
210	1 15/16	UBG231NL* Δ	0.9055	UG231NL* Δ	0.8661	3.5433	2 3/32	0.8281	-	2.475	0.039	0.38	#3/8-24	0.268	2.20	
	2	UBG2E32NL* Δ		UG2E32NL* Δ												
	50.00	UBG2M50NL*Δ		23.0000												UG2M50NL*Δ
211	2	UBG232NL* Δ	0.9843	UG232NL* Δ	0.9843	3.9370	2 1/4	0.8438	-	2.749	0.059	0.38	#3/8-24	0.295	2.40	
	2 3/16	UBG235NL* Δ		UG235NL* Δ												
	55.00	UBG2M55NL*Δ		25.0000												UG2M55NL*Δ
212	2 1/4	UBG236NL* Δ	1.0630	UG236NL* Δ	1.0630	4.3307	2 1/2	0.9375	-	3.012	0.059	0.38	#3/8-24	0.330	3.40	
	2 3/8	UBG238NL* Δ		UG238NL* Δ												
	2 7/16	UBG239NL* Δ		UG239NL* Δ												
	60.00	UBG2M60NL*Δ		27.0000												UG2M60NL*Δ

Continued...



Continued...

Bearing Dimensions

Size Code	Shaft Diameter	Cylindrical		Spherical		B O.D.	D	G	M	N	r	S	T	Y	Approx. Weight
		Part Number	J Outer Ring Width	Part Number	J Outer Ring Width										
213	2 1/2	-	-	UG240NL*Δ	1.0630	4.7244	2 11/16	1.0000	4 3/16	3.331	-	-	-	0.343	5.80
	2 11/16	-	-	UG243NL*Δ											
	65.00	-	-	UG2M65NL*Δ	27.0000	120.0000	68.26	25.4000	106.40	84.610	-	-	-	8.710	2.60
215	2 3/4	-	-	UG244NL*Δ											
	2 15/16	-	-	UG247NL*Δ	1.1417	5.1181	2 7/8	1.0625	4 5/8	3.624	-	-	-	0.367	7.30
	3	-	-	UG2E48NL*Δ											
	75.00	-	-	UG2M75NL*Δ	29.0000	130.0000	73.02	26.9870	117.50	92.050	-	-	-	9.320	3.30
217	3 7/16	-	-	UG255NL*Δ	1.3386	5.9055	3 9/16	1.4375	5 3/16	4.158	-	-	-	0.415	9.50
	3 1/2	-	-	UG2E56NL*Δ											
	85.00	-	-	UG2M85NL*Δ	34.0000	150.0000	90.49	36.5130	131.80	105.610	-	-	-	10.540	4.30
220	3 15/16	-	-	UG263NL*	1.5748	7.0866	4 1/4	1.6719	5 15/16	4.913	-	-	-	0.504	16.00
	4	-	-	UG2E64NL*											
	100.00	-	-	UG2M100NL*	40.0000	180.0000	107.95	42.4660	150.80	124.790	-	-	-	12.800	7.20

Additional Notes

Please call 1-866-REXNORD for availability
 Bearing O.D. tolerance for size code 208 and below,
 +.0000 in/- .0005 in (+0.000 mm/-0.013 mm)
 Bearing O.D. tolerance for size codes 209 thru 214,
 +.0000 in/- .0006 in (+0.000 mm/-0.015 mm)
 Bearing O.D. tolerance for size codes 215 thru 217,
 +.0000 in/- .0008 in (+0.000 mm/-0.020 mm)
 Bearing O.D. tolerance for all other size codes,
 +.0000 in/- .0010 in (+0.000 mm/-0.025 mm)

Dimension "r", max fillet radius of housing to clear bearing corner

* N lip seals standard

■ Available with H labyrinth seals

Δ Available with E3 triple lip seals

For the Selection Guide, Load Ratings and Speed Limits, see the Link-Belt 200 Series Ball Bearing Engineering section on pages 302 - 310.

Note: Dimensions subject to change. Certified dimensions of ordered material furnished on request.

W200, WB200

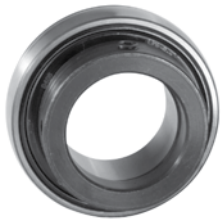
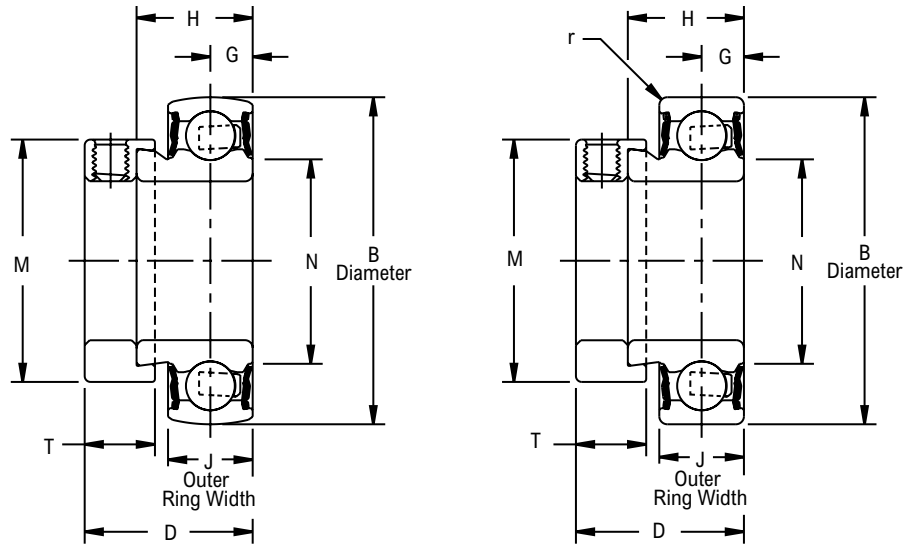


Photo Shows an Unmounted Ball Bearing Unit

Product Features

- Eccentric cam locking device
- Sealed & non-relubricatable
- Spherical or Cylindrical O.D.
- See Features and Benefits for additional info on pages 298 - 299.



Bearing Dimensions

Size Code	Shaft Diameter	Cylindrical	Spherical	B O.D.	J Outer Ring Width	D	G	H	M	N	r	T	Approx. Weight
		Part Number	Part Number										
203	1/2	WB2B08EL▲	W2B08EL▲	1.5748	0.5118	1 1/8	0.2559	0.7500	1 1/8	0.879	0.024	17/32	0.30
	5/8	WB210EL▲	W210EL▲										
204	3/4	WB212EL▲	W212EL▲	1.8504	0.5906	1 7/32	0.2953	0.8437	1 5/16	1.013	0.039	17/32	0.50
205	7/8	WB214EL▲	W214EL▲	2.0472	0.5906	1 7/32	0.2953	0.8437	1 1/2	1.210	0.039	17/32	0.50
	15/16	WB215EL▲	W215EL▲										
	1	WB216EL▲	W216EL▲										
206	1 1/8	WB218EL▲	W218EL▲	2.4409	0.7087	1 13/32	0.3543	0.9375	1 3/4	1.587	0.039	5/8	0.75
	1 3/16	WB219EL▲	W219EL▲										
	1 1/4	WB2E20EL▲	W2E20EL▲										
207	1 1/4	WB220EL▲	W220EL▲	2.8346	0.7480	1 17/32	0.3740	1.0000	2 3/16	1.847	0.039	11/16	1.30
	1 3/8	WB222EL▲	W222EL▲										
	1 7/16	WB223EL▲	W223EL▲										
208	1 1/2	WB224EL▲	W224EL▲	3.1496	0.8661	1 23/32	0.4330	1.1875	2 3/8	2.083	0.039	23/32	1.60
209	1 5/8	WB226EL▲	W226EL▲	3.3465	0.8661	1 23/32	0.4330	1.1875	2 1/2	2.109	0.039	23/32	1.70
	1 11/16	WB227EL▲	W227EL▲										
	1 3/4	WB228EL▲	W228EL▲										
210	1 15/16	WB231EL▲	W231EL▲	3.5433	0.8661	1 23/32	0.4330	1.1875	2 3/4	2.306	0.039	23/32	1.75
	2	WB2E32EL▲	W2E32EL▲										

Additional Notes

- Please call 1-866-REXNORD for availability
- Dimension "r", max fillet radius of housing to clear bearing corner
- Bearing O.D. tolerance for size code 208 and below, +.0000 in/- .0005 in (+0.000 mm/-0.013 mm); for all other size codes, +.0000 in/- .0006 in (+0.000 mm/-0.015 mm)
- ▲ E lip seals standard

For the Selection Guide, Load Ratings and Speed Limits, see the Link-Belt 200 Series Ball Bearing Engineering section on pages 302 - 310.
 Note: Dimensions subject to change. Certified dimensions of ordered material furnished on request.

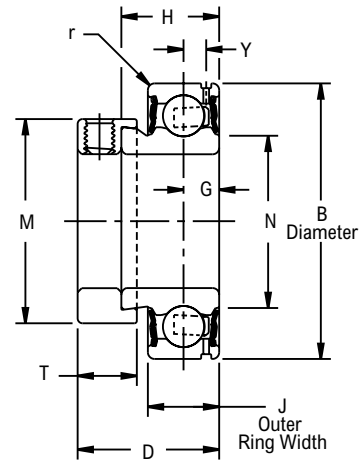
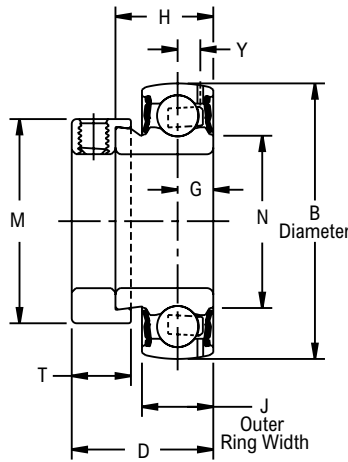
WG200, WBG200



Photo Shows an Unmounted Ball Bearing Unit

Product Features

- Eccentric cam locking device
- Sealed & relubricatable
- Spherical or Cylindrical O.D.
- See Features and Benefits for additional info on pages 298 - 299.



Bearing Dimensions

Size Code	Shaft Diameter	Cylindrical	Spherical	B O.D.	J Outer Ring Width	D	G	H	M	N	r	T	Y	Approx. Weight
		Part Number	Part Number											
203	1/2	WBG2B08EL▲	WG2B08EL▲	1.5748	0.5118	1 1/8	0.2559	0.7500	1 1/8	0.879	0.024	17/32	0.158	0.30
	5/8	WBG210EL▲	WG210EL▲											
204	3/4	WBG212EL▲	WG212EL▲	1.8504	0.5906	1 7/32	0.2953	0.8437	1 5/16	1.013	0.039	17/32	0.176	0.50
205	7/8	WBG214EL▲	WG214EL▲	2.0472	0.5906	1 7/32	0.2953	0.8437	1 1/2	1.210	0.039	17/32	0.176	0.50
	15/16	WBG215EL▲	WG215EL▲											
	1	WBG216EL▲	WG216EL▲											
206	1 1/8	WBG218EL▲	WG218EL▲	2.4409	0.7087	1 13/32	0.3543	0.9375	1 3/4	1.587	0.039	5/8	0.202	0.75
	1 3/16	WBG219EL▲	WG219EL▲											
	1 1/4	WBG2E20EL▲	WG2E20EL▲											
207	1 1/4	WBG220EL▲	WG220EL▲	2.8346	0.7480	1 17/32	0.3740	1.0000	2 3/16	1.847	0.039	11/16	0.239	1.30
	1 3/8	WBG222EL▲	WG222EL▲											
	1 7/16	WBG223EL▲	WG223EL▲											
208	1 1/2	WBG224EL▲	WG224EL▲	3.1496	0.8661	1 23/32	0.4330	1.1875	2 3/8	2.083	0.039	23/32	0.253	1.60
209	5/8	WBG226EL▲	WG226EL▲	3.3465	0.8661	1 23/32	0.4330	1.1875	2 1/2	2.109	0.039	23/32	0.254	1.70
	1 11/16	WBG227EL▲	WG227EL▲											
	3/4	WBG228EL▲	WG228EL▲											
210	1 15/16	WBG231EL▲	WG231EL▲	3.5433	0.8661	1 23/32	0.4330	1.1875	2 3/4	2.306	0.039	23/32	0.268	1.75
	2	WBG2E32EL▲	WG2E32EL▲											

Additional Notes

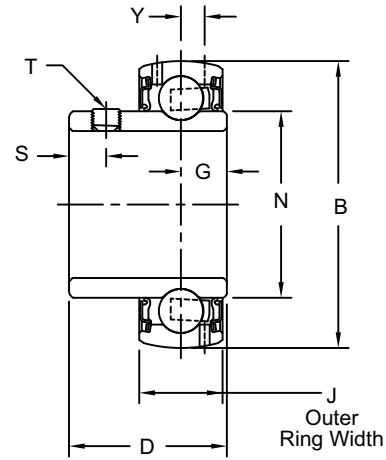
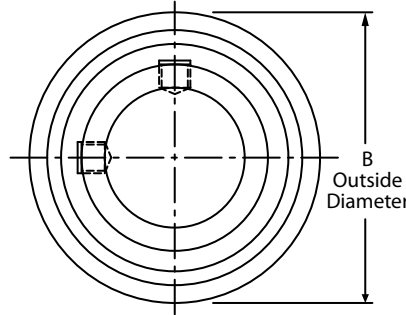
- Please call 1-866-REXNORD for availability
- Dimension "r", max fillet radius of housing to clear bearing corner
- Bearing O.D. tolerance for size code 208 and below, +.0000 in/- .0005 in (+0.000 mm/-0.013 mm); for all other size codes, +.0000 in/- .0006 in (+0.000 mm/-0.015 mm)
- ▲ E lip seals standard

For the Selection Guide, Load Ratings and Speed Limits, see the Link-Belt 200 Series Ball Bearing Engineering section on pages 302 - 310.
 Note: Dimensions subject to change. Certified dimensions of ordered material furnished on request.

SG200ELPA



Photo Shows an Unmounted Ball Bearing Unit



Product Features

- Broad range of sealing options
- Spring locking setscrew mount
- Sealed & relubricatable
- Spherical O.D.
- See Features and Benefits for additional info on pages 298 - 299.

Bearing Dimensions

Size Code	Shaft Diameter	Part Number	B O.D.	J Outer Ring Width	D	G	N	S	T	Y	Approx. Weight
203	1/2	SG2B08ELPA◆●□△	1.5748	0.5118	63/64	0.3440	0.941	0.19	#10-32	0.158	0.25
	5/8	SG210ELPA◆●□△									0.21
	11/16	SG211ELPA◆●□△									0.19
204	3/4	SG212ELPA◆●□△	1.8504	0.5906	1 1/8	0.3760	1.121	0.23	1/4-28	0.176	0.32
	20.00	SG2M20ELPA◆●□△	47.0000	15.0000	28.58	9.5500	28.470	5.80	M6X1	4.470	0.10
205	7/8	SG214ELPA◆●□△	2.0472	0.5906	1 11/64	0.3760	1.313	0.25	1/4-28	0.176	0.43
	15/16	SG215ELPA◆●□△									0.40
	1	SG216ELPA◆●□△									0.37
	25.00	SG2M25ELPA◆●□△									52.0000
206	1 1/8	SG218ELPA◆●□△	2.4409	0.7087	1 11/32	0.3920	1.587	0.31	5/16-24	0.202	0.63
	1 3/16	SG219ELPA◆●□△									0.60
	1 1/4	SG2E20ELPA◆●□△									0.57
	30.00	SG2M30ELPA◆●□△	62.0000	18.0000	34.14	9.9600	40.310	7.90	M8X1.25	5.130	0.30
207	1 1/4	SG220ELPA◆●□△	2.8346	0.7480	1 9/16	0.4540	1.847	0.34	5/16-24	0.227	1.02
	1 3/8	SG222ELPA◆●□△									0.92
	1 7/16	SG223ELPA◆●□△									0.86
	35.00	SG2M35ELPA◆●□△									72.0000
208	1 1/2	SG224ELPA◆●□△	3.1496	0.8661	1 21/32	0.4850	2.083	0.34	5/16-24	0.263	1.27
	1 5/8	SG2E26ELPA◆●□△									1.20
	40.00	SG2M40ELPA◆●□△									80.0000
209	1 5/8	SG226ELPA◆●□△	3.3465	0.8661	1 49/64	0.5320	2.281	0.36	5/16-24	0.256	1.50
	1 11/16	SG227ELPA◆●□△									1.43
	1 3/4	SG228ELPA◆●□△									1.36
210	1 7/8	SG230ELPA◆●□△	3.5433	0.8661	1 13/16	0.5320	2.475	0.38	3/8-24	0.256	1.57
	1 15/16	SG231ELPA◆●□△									1.48
	2	SG2E32ELPA◆●□△									1.39
	2	SG232ELPA◆●□△									2.27
211	2 3/16	SG235ELPA◆●□△	3.9370	0.9843	1 13/16	0.5370	2.749	0.38	3/8-24	0.298	1.97
	2 1/4	SG2E36ELPA◆●□△									1.87
	2 1/4	SG236ELPA◆●□△									2.85
212	2 3/8	SG238ELPA◆●□△	4.3307	1.0630	1 57/64	0.5780	3.012	0.38	3/8-24	0.330	2.61
	2 7/16	SG239ELPA◆●□△									2.49
	2 15/16	SG247ELPA◆●□△									5.1181

Additional Notes

- Please call 1-866-REXNORD for availability
- Bearing O.D. tolerance for size code 203 thru 208, +.0000 in/-.0005 in (+0.000 mm/-0.013 mm); for all other size codes, +.0000 in/-.0006 in (+0.000 mm/-0.015 mm)
- Lip seals standard
- ◆ Available with E1 viton seals for all size codes
- Available with free running style seals, add suffix ● FF, □ HFF or △ MHFF for all size codes

For the Selection Guide, Load Ratings and Speed Limits, see the Link-Belt 200 Series Ball Bearing Engineering section on pages 302 - 310.
 Note: Dimensions subject to change. Certified dimensions of ordered material furnished on request.

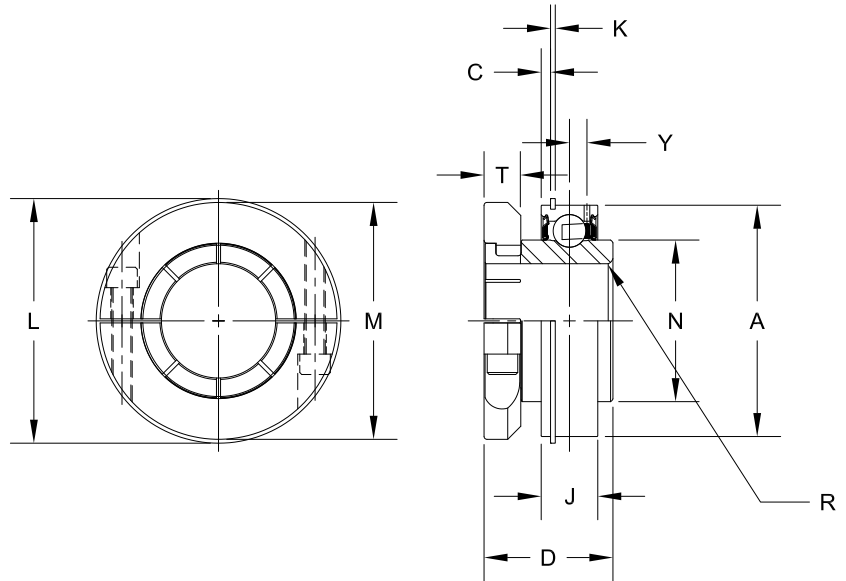
ER-KCL



Photo Shows an ER Adapter Series Ball Bearing Unit

Product Features

- Broad range of sealing options
- Centrik-Lok shaft locking device
- Sealed & relubricatable
- Cylindrical O.D.
- O.D. mounted snap ring
- See Features and Benefits for additional info on pages 298 - 299.



Bearing Dimensions

Size Code	Shaft Diameter	Part Number	B O.D.	J Outer Ring Width	L Snap Ring O.D.	C	D	G	K	M	N	R	T		Y	Approx. Weight
													Width	Tap		
204	1/2	ER8KCL◆●□△	1.8504	0.6240	2 1/16	3/32	1 15/64	0.4050	3/64	2 1/16	1.154	0.04	23/64	#10-32	0.142	0.62
	5/8	ER10KCL◆●□△														0.55
	3/4	ER12KCL◆●□△														0.54
	20.00	ER204KCL △	47.0000	15.8500	52.40	2.40	30.96	10.2900	1.20	30.60	29.310	1.00	8.70	M6X1	3.610	0.20
205	7/8	ER14KCL◆●□△	2.0472	0.7490	2 17/64	3/32	1 13/32	0.5080	3/64	2 13/64	1.313	0.04	23/64	1/4-28	0.185	0.65
	15/16	ER15KCL◆●□△														0.63
	1	ER16KCL◆●□△														0.61
	25.00	ER205KCL △	52.0000	19.0250	57.60	2.40	34.92	12.9000	1.20	39.70	33.350	1.00	8.70	M6X1	4.700	0.30
206	1 1/8	ER18KCL◆●□△	2.4409	0.8740	2 21/32	3/32	1 17/32	0.6250	3/64	2 19/32	1.587	0.04	7/16	1/4-28	0.224	0.96
	1 3/16	ER19KCL◆●□△														0.94
	1 1/4	ER20SKCL◆●□△														0.90
207	1 1/4	ER20KCL◆●□△	2.8346	0.9365	3 5/64	1/8	1 47/64	0.6880	1/16	3 3/64	1.847	0.04	7/16	5/16-24	0.256	1.75
	1 3/8	ER22KCL◆●□△														1.70
	1 7/16	ER23KCL◆●□△														1.62
208	1 1/2	ER24KCL◆●□△	3.1496	1.0927	3 25/64	1/8	1 31/32	0.7500	1/16	3 3/16	2.083	0.06	7/16	5/16-24	0.297	2.18
	40.00	ER208KCL △	80.0000	27.7550	86.10	3.20	49.22	19.0500	1.60	63.50	52.910	1.60	11.10	M8X1.25	7.540	1.00
209	1 5/8	ER26KCL◆●□△	3.3465	1.0927	3 19/32	1/8	1 31/32	0.7500	1/16	3 3/8	2.281	0.06	7/16	5/16-24	0.297	2.28
	1 11/16	ER27KCL◆●□△														2.22
	1 3/4	ER28KCL◆●□△														2.15
210	1 7/8	ER30KCL◆●□△	3.5433	1.1240	3 25/32	1/8	2 5/64	0.7500	3/32	3 3/4	2.475	0.06	9/16	5/16-24	0.265	2.75
	1 15/16	ER31KCL◆●□△														2.61
211	2	ER32KCL◆●□△	3.9370	1.1860	4 11/64	1/8	2 15/64	0.8750	3/32	4 5/64	2.749	0.08	9/16	5/16-24	0.298	3.38
	2 3/16	ER35KCL◆●□△														3.07
212	2 1/4	ER36KCL◆●□△	4.3307	1.2490	4 9/16	1/8	2 19/32	1.0000	3/32	4 9/32	3.012	0.08	9/16	3/8-24	0.330	4.48
	2 3/8	ER38KCL◆●□△														4.38
	2 7/16	ER39KCL◆●□△														4.19
214	2 1/2	ER40KCL◆●□△	4.9213	1.3740	5 9/32	5/32	2 47/64	1.0620	7/64	4 51/64	3.433	0.08	3/4	3/8-24	0.374	5.92
	2 11/16	ER43KCL◆●□△														5.49
215	2 7/8	ER46KCL◆●□△	5.1181	1.4990	5 1/2	5/32	3	1.3130	7/64	5 1/4	3.632	0.08	3/4	3/8-24	0.374	6.60
	2 15/16	ER47KCL◆●□△														6.37
216	3	ER48KCL◆●□△	5.5118	1.6865	5 7/8	5/32	3	1.3130	7/64	5 47/64	3.920	0.12	3/4	3/8-24	0.406	8.05
	3 3/16	ER51KCL◆●□△														7.56

Additional Notes

Please call 1-866-REXNORD for availability
 Bearing O.D. tolerance for size code 204, +.0000 in/- .0005 in (+0.000 mm/-0.013 mm); for size code 205 thru 208, +.0000 in/- .0006 in (+0.000 mm/-0.015 mm); for size code 209 thru 212, +.0000 in/- .0008 in (+0.000 mm/-0.020 mm); for all other size codes, +.0000 in/- .0010 in (+0.000 mm/-0.025 mm)

Lip seals standard

◆ Available with E1 viton seals for all size codes

Available with free running style seals, add suffix ◆ FF, □ HFF or △ MHFF for all size codes

For the Selection Guide, Load Ratings and Speed Limits, see the Link-Belt 200 Series Ball Bearing Engineering section on pages 302 - 310.

Note: Dimensions subject to change. Certified dimensions of ordered material furnished on request.

ER-K

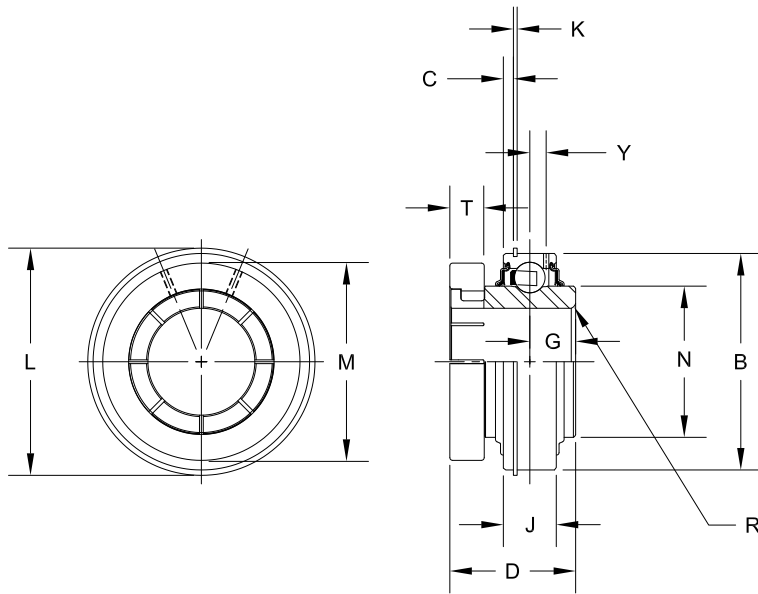
Interchange: GER, ER-T



Photo Shows an ER Adapter Series Ball Bearing Unit

Product Features

- Broad range of sealing options
- Centrik-Lok shaft locking device
- Sealed & relubricatable
- Cylindrical O.D.
- O.D. mounted snap ring
- See Features and Benefits for additional info on pages 298 - 299.



Bearing Dimensions

Size Code	Shaft Diameter	Part Number	B O.D.	J Outer Ring Width	L Snap Ring O.D.	C	D	G	K	M	N	R	T		Y	Approx. Weight
													Width	Tap		
204	1/2	ER8K♦□Δ	1.8504	0.6240	2 1/16	3/32	1 15/64	0.4050	3/64	1 1/2	1.154	0.04	23/64	#10-32	0.142	0.62
	5/8	ER10K♦□Δ														0.55
	3/4	ER12K♦□Δ														0.54
	20.00	ER204K Δ	47.0000	15.8500	52.40	2.40	30.96	10.2900	1.20	38.10	29.310	1.00	8.70	M6X1	3.610	0.20
205	7/8	ER14K♦□Δ	2.0472	0.7490	2 17/64	3/32	1 13/32	0.5080	3/64	1 5/8	1.313	0.04	23/64	1/4-28	0.185	0.65
	15/16	ER15K♦□Δ														0.63
	1	ER16K♦□Δ														0.61
	25.00	ER205K Δ	52.0000	19.0250	57.60	2.40	34.92	12.9000	1.20	41.40	33.350	1.00	8.70	M6X1	4.700	0.30
206	1 1/8	ER18K♦□Δ	2.4409	0.8740	2 21/32	3/32	1 17/32	0.6250	3/64	2	1.587	0.04	7/16	1/4-28	0.224	0.96
	1 3/16	ER19K♦□Δ														0.94
	1 1/4	ER20SK♦□Δ														0.90
207	1 1/4	ER20K♦□Δ	2.8346	0.9365	3 5/64	1/8	1 47/64	0.6880	1/16	2 1/4	1.847	0.04	7/16	5/16-24	0.256	1.75
	1 3/8	ER22K♦□Δ														1.70
	1 7/16	ER23K♦□Δ														1.62
208	1 1/2	ER24K♦□Δ	3.1496	1.0927	3 25/64	1/8	1 31/32	0.7500	1/16	2 9/16	2.083	0.06	7/16	5/16-24	0.297	2.18
	40.00	ER208K Δ	80.0000	27.7550	86.10	3.20	49.22	19.0500	1.60	65.00	52.910	1.60	11.10	M8X1.25	7.540	1.00
209	1 5/8	ER26K♦□Δ	3.3465	1.0927	3 19/32	1/8	1 31/32	0.7500	1/16	2 3/4	2.281	0.06	7/16	5/16-24	0.297	2.28
	1 11/16	ER27K♦□Δ														2.22
	1 3/4	ER28K♦□Δ														2.15
210	1 7/8	ER30K♦□Δ	3.5433	1.1240	3 25/32	1/8	2 5/64	0.7500	3/32	3	2.475	0.06	9/16	5/16-24	0.265	2.75
	1 15/16	ER31K♦□Δ														2.61
211	2	ER32K♦□Δ	3.9370	1.1860	4 11/64	1/8	2 15/64	0.8750	3/32	3 1/4	2.749	0.08	9/16	5/16-24	0.298	3.38
	2 3/16	ER35K♦□Δ														3.07
212	2 1/4	ER36K♦□Δ	4.3307	1.2490	4 9/16	1/8	2 19/32	1.0000	3/32	3 1/2	3.012	0.08	9/16	3/8-24	0.330	4.48
	2 3/8	ER38K♦□Δ														4.38
	2 7/16	ER39K♦□Δ														4.19
214	2 1/2	ER40K♦□Δ	4.9213	1.3740	5 9/32	5/32	2 47/64	1.0620	7/64	3 15/16	3.433	0.08	3/4	3/8-24	0.374	5.92
	2 11/16	ER43K♦□Δ														5.49
215	2 7/8	ER46K♦□Δ	5.1181	1.4990	5 1/2	5/32	3	1.3130	7/64	4 3/8	3.632	0.08	3/4	3/8-24	0.374	6.60
	2 15/16	ER47K♦□Δ														6.37
216	3	ER48K♦□Δ	5.5118	1.6865	5 7/8	5/32	3	1.3130	7/64	5	3.920	0.12	3/4	3/8-24	0.406	8.05
	3 3/16	ER51K♦□Δ														7.56

Additional Notes

Please call 1-866-REXNORD for availability
 Bearing O.D. tolerance for size code 204, +.0000 in/-.0005 in (+0.000 mm/-0.013 mm); for size code 205 thru 208, +.0000 in/-.0006 in (+0.000 mm/-0.015 mm); for size code 209 thru 212, +.0000 in/-.0008 in (+0.000 mm/-0.020 mm); for all other size codes, +.0000 in/-.0010 in (+0.000 mm/-0.025 mm)

Lip seals standard

♦ Available with E1 viton seals for all size codes

Available with free running style seals, add suffix ♦ FF, □ HFF or Δ MHFF for all size codes

For the Selection Guide, Load Ratings and Speed Limits, see the Link-Belt 200 Series Ball Bearing Engineering section on pages 302 - 310.

Note: Dimensions subject to change. Certified dimensions of ordered material furnished on request.

ER

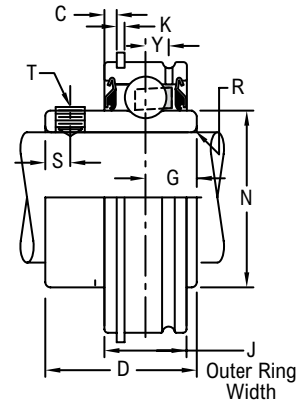
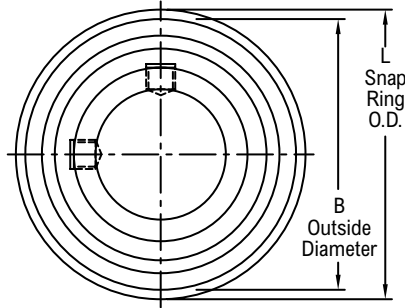
Interchange: SER, ER



Photo Shows an ER Adapter Series Ball Bearing Unit

Product Features

- Broad range of sealing options
- Spring locking setscrew mount
- Sealed & relubricatable
- Cylindrical O.D.
- O.D. mounted snap ring
- See Features and Benefits for additional info on pages 298 - 299.



Bearing Dimensions

Size Code	Shaft Diameter	Part Number	B O.D.	J Outer Ring Width	L Snap Ring O.D.	C	D	G	K	N	R	S	T Tap Size	Y	Approx. Weight
204	1/2	ER8♦ □ Δ	1.8504	0.6240	2 1/16	3/32	1 7/32	0.4050	3/64	1.154	0.04	15/64	#10-32	0.142	0.62
	5/8	ER10♦ □ Δ													0.55
	3/4	ER12♦ □ Δ													0.54
205	7/8	ER14♦ □ Δ	2.0472	0.7490	2 17/64	3/32	1 3/8	0.5080	3/64	1.313	0.04	15/64	1/4-28	0.185	0.65
	15/16	ER15♦ □ Δ													0.63
	1	ER16♦ □ Δ													0.61
	25.00	ER205 Δ	52.0000	19.0250	57.60	2.40	34.92	12.9000	1.20	33.350	1.00	2.00	M6X1	4.700	0.30
206	1 1/8	ER18♦ □ Δ	2.4409	0.8740	2 21/32	3/32	1 1/2	0.6250	3/64	1.587	0.04	1/4	1/4-28	0.224	0.96
	1 3/16	ER19♦ □ Δ													0.94
	1 1/4	ER20S♦ □ Δ													0.90
	30.00	ER206 Δ	62.0000	22.2000	67.50	2.40	38.10	15.8800	1.20	40.310	1.00	6.40	M6X1	5.690	0.40
207	1 1/4	ER20♦ □ Δ	2.8346	0.9365	3 5/64	1/8	1 11/16	0.6880	1/16	1.847	0.04	21/64	5/16-24	0.256	1.75
	1 3/8	ER22♦ □ Δ													1.70
	1 7/16	ER23♦ □ Δ													1.62
208	1 1/2	ER24♦ □ Δ	3.1496	1.0927	3 25/64	1/8	1 15/16	0.7500	1/16	2.083	0.06	3/8	5/16-24	0.297	2.18
	40.00	ER208 Δ	80.0000	27.7550	86.10	3.20	49.22	19.0500	1.60	52.910	1.60	9.50	M8X1.25	7.540	1.00
209	1 5/8	ER26♦ □ Δ	3.3465	1.0927	3 19/32	1/8	1 15/16	0.7500	1/16	2.281	0.06	3/8	5/16-24	0.297	2.28
	1 11/16	ER27♦ □ Δ													2.22
	1 3/4	ER28♦ □ Δ													2.15
210	1 7/8	ER30♦ □ Δ	3.5433	1.1240	3 25/32	1/8	2 1/32	0.7500	3/32	2.475	0.06	3/8	3/8-24	0.265	2.75
	1 15/16	ER31♦ □ Δ													2.61
211	2	ER32♦ □ Δ	3.9370	1.1860	4 11/64	1/8	2 3/16	0.8750	3/32	2.749	0.08	3/8	3/8-24	0.298	3.38
	2 3/16	ER35♦ □ Δ													3.07
	2 1/4	ER36♦ □ Δ													4.48
212	2 3/8	ER38♦ □ Δ	4.3307	1.2490	4 9/16	1/8	2 9/16	1.0000	3/32	3.012	0.08	3/8	3/8-24	0.330	4.38
	2 7/16	ER39♦ □ Δ													4.19
	2 1/2	ER40♦ □ Δ													5.92
214	2 11/16	ER43♦ □ Δ	4.9213	1.3740	5 9/32	5/32	2 3/4	1.0620	7/64	3.433	0.08	3/8	3/8-24	0.374	5.49
	2 7/8	ER46♦ □ Δ													6.60
215	2 15/16	ER47♦ □ Δ	5.1181	1.4990	5 1/2	5/32	3 1/16	1.3130	7/64	3.632	0.08	3/8	3/8-24	0.374	6.37
	3	ER48♦ □ Δ													8.05
216	3 3/16	ER51♦ □ Δ	5.5118	1.6865	5 7/8	5/32	3 1/4	1.3130	7/64	3.920	0.12	3/8	3/8-24	0.406	7.56

Additional Notes

- Please call 1-866-REXNORD for availability
- Bearing O.D. tolerance for size code 204, +.0000 in/-.0005 in (+0.000 mm/-0.013 mm); for size code 205 thru 208, +.0000 in/-.0006 in (+0.000 mm/-0.015 mm); for size code 209 thru 212, +.0000 in/-.0008 in (+0.000 mm/-0.020 mm); for all other size codes, +.0000 in/-.0010 in (+0.000 mm/-0.025 mm)
- Lip seals standard
- ♦ Available with E1 viton seals

Available with free running style seals, add suffix ♦ FF, □ SFF or Δ MKFF
 For the Selection Guide, Load Ratings and Speed Limits, see the Link-Belt 200 Series Ball Bearing Engineering section on pages 302 - 310.
 Note: Dimensions subject to change. Certified dimensions of ordered material furnished on request.

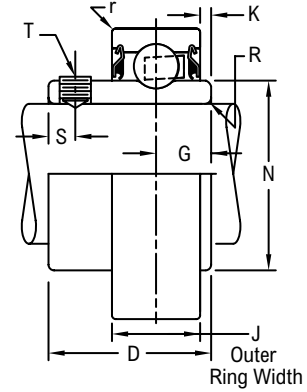
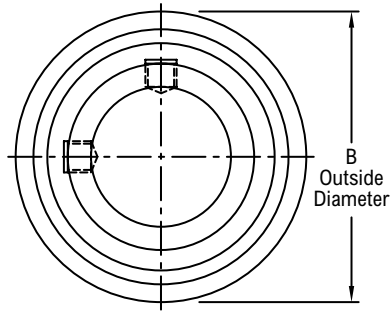
MSLN



Photo Shows an Unmounted Ball Bearing Unit with Cylindrical Outside Diameter

Product Features

Broad range of sealing options
Spring locking setscrew mount
Sealed & non-relubricatable
Cylindrical O.D.
See Features and Benefits for additional info on pages 298 - 299.



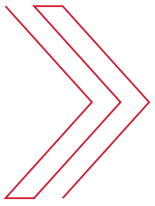
Bearing Dimensions

Size Code	Shaft Diameter	Part Number	B O.D.	J Outer Ring Width	D	G	K	N	R	r	S	T	Approx. Weight
203	1/2	MSLN8◆●□△	1.5748	0.5118	51/64	0.2770	0	0.941	0.024	0.024	3/16	#10-32	0.22
	5/8	MSLN10◆●□△											
204	3/4	MSLN12◆●□△	1.8504	0.5906	15/16	0.2940	0	1.121	0.039	0.039	3/16	#10-32	0.32
205	1	MSLN16◆●□△	2.0472	0.5906	15/16	0.3090	0	1.313	0.039	0.039	7/32	1/4-28	0.34

Additional Notes

Please call 1-866-REXNORD for availability
Bearing bore tolerance, +.0005 in/-.0000 in (*+0.013 mm/-0.000 mm*)
Bearing O.D. tolerance for size code 203 thru 204, +.0000 in/-.0005 in (*+0.000 mm/-0.013 mm*); for all other size codes, +.0000 in/-.0006 in (*+0.000 mm/-0.015 mm*)
Lip seals standard
◆ Available with E1 viton seals

Available with free running style seals, add suffix ● FF, □ HFF or △ MHFF
For the Selection Guide, Load Ratings and Speed Limits, see the Link-Belt 200 Series Ball Bearing Engineering section on pages 302 - 310.
Note: Dimensions subject to change. Certified dimensions of ordered material furnished on request.



BALL BEARINGS

Medium Duty (200 Series)

Units: Link-Belt

CONTENTS

PAGE

Features and Benefits	382
Nomenclature	384
Engineering	386
Dimensions	
Pillow Blocks	391
Flange Blocks	393
Take-up Blocks	399
Hanger Units	401
Unmounted Replacement Bearings	403

INDUSTRIES SERVED

Aggregates
Agriculture
Air Handling
Package Handling
Construction
Shipping
Mining
Forest Products



Medium Duty Ball Bearings Designed for Long Life and Precision Performance

200 Series Medium Duty Ball Bearings provide design and performance features developed by decades of experience in supplying precision ball bearing inserts for other major mounted bearing manufacturers and complete mounted units to machinery and equipment manufacturers. They are priced competitively to bearings of comparable construction and design. In addition to sound basic design and construction, special features minimize the three most common

causes of premature bearing failure... loosening of bearings on rotating shafts, entrance of contaminants or loss of lubricant due to seal failure and insufficient housing strength. Medium duty foot-mounted pillow blocks, flange units, take-up blocks and hanger bearings cataloged in the following pages are available from stock. For other sizes, mountings or special requirements to fit your applications, please consult the Rexnord Bearing Products.



Spring Locking

Precision alignable ball bearing of deep groove construction for high capacity and high precision applications. Spring locking collars of setscrew locking security, locks bearing to the shaft.

Centrik-Lok CL Shaft Locking Device

The Centrik-Lok method of fastening the bearing inner race to the shaft provides substantial improvement in holding power compared to spring locking collars. The unique 2-piece collar and 8-tab design offers the best shaft holding force in the industry.

Combination Seal-Flinger System

Optimum protection from loss of lubricant and entrance of dirt and contaminants is achieved with positive lip-type contact seals. The resulting longer seal life extends bearing life significantly.

Rugged, One-Piece Cast Iron Housing

Housings are designed to withstand bearing load ratings, external vibration and shock. Foot mounted pillow block bolt holes are elongated for easy installation and adjustment.

Spherically-Seated Bearing Insert with Anti-Rotation Device

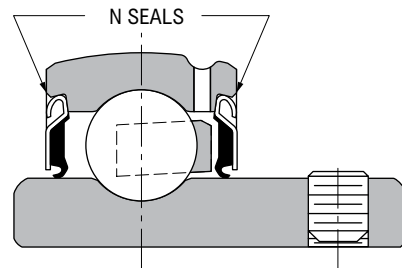
The spherical fit between the outer race O.D. and I.D. of the block is precisely controlled for easy shaft alignment. The anti-rotation device is permanently installed in the bearing insert O.D. It engages one of the housing insertion slots, preventing outer race creep and wear of housing. There is no danger of losing a separable pin during field replacement of bearings and no danger of preloading the bearing as is possible in other designs where a lube fitting is tightened against a locking pin.

Precision Mounted Ball Bearings with Shaft Locking Device

Centrik-Lok precision mounted ball bearings feature a concentric shaft locking device, resulting in a great improvement in the holding power (locking efficiency). Field experience shows substantial improvement in holding power when compared to eccentric locking collars and even greater improvement in locking efficiency when compared to 120° setscrew positioning and other types of locking arrangements.

Standard sealing arrangements

Standard steel clad Type N single lip seals have a useful temperature range of -40°F to $+225^{\circ}\text{F}$ and can withstand temperatures of 250°F for intermittent service. Special sealing arrangements are available for higher temperatures and “free-running” or special contamination resistance.



STANDARD MEDIUM DUTY SEAL

Special optional sealing arrangements

Suffix-MHFF indicates flingers both sides. This provides a sealed, “free-running” bearing with heat shield protection. It is satisfactory for temperatures from -40°F to $+225^{\circ}\text{F}$. Rexnord Bearing Products must be consulted regarding availability of any of these optional sealing configurations.

Examples for ordering:

1. Mounted Unit MPS219MHFF
2. Bearing Insert MSG219MHFFLPA

High temperature ball bearing inserts and housed units

Mounted ball bearings and inserts are available for high temperature applications up to 400°F . The “E1” package provides the following features.

1. Extra Internal Diameters Clearance (DC), based on a 200°F temperature differential between inner and outer races, compensates for the inner race expanding at a faster rate than the outer race and will avoid preloading of the bearings.
2. Steel Retainer (Cage) – 2 piece riveted construction.
3. High Temperature Lubrication – prelubricated with a No.2 consistency bentone-base grease with petroleum oil. When operated near upper limit, (400°F to 450°F) daily relubrication is required.
4. Viton Seals withstand temperatures to 400°F .

Examples for ordering:

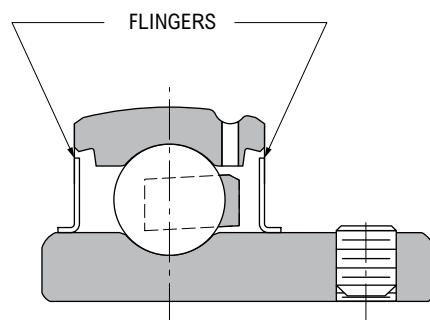
1. Mounted Unit MPS219E1
2. Bearing Insert MSG219E1LPA

Free running applications and applications above 400°F

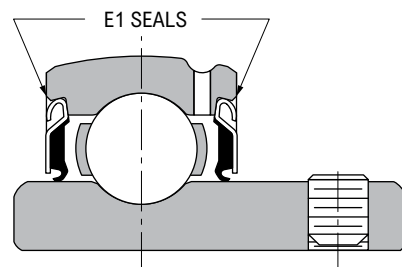
Sealing options such as -FF (flingers only) for “free running” applications and/or temperatures over 400°F where contamination is not severe. The flinger acts as a labyrinth seal. High temperature bearings require a greater amount of diametral clearance (DC) and a higher temperature lubricant. Consult Rexnord Bearing Products for recommendations.

Examples for ordering:

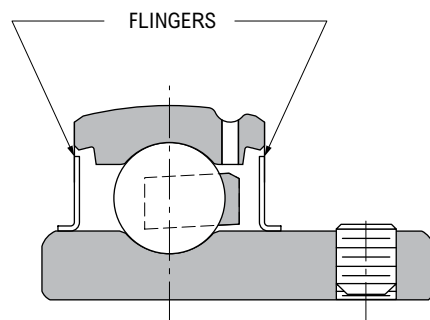
1. Mounted Unit MPS219FF
2. Bearing Insert MSG219FFLPA



-MHFF



-E1



-FF

200 Series Medium Duty Ball Bearing Nomenclature

Symbol	Description	M	P	CL	2	19	N	K 75
M	Medium Duty	_____	_____	_____	_____	_____	_____	_____
F	Flanged 4-bolt							
FC	Flanged cartridge unit, 4-bolt round							
FX	Flanged unit, 2-bolt							
P	Pillow block, standard backing		_____					
PL	Pillow block, low backing		_____					
TH	Take-up, wide slot							
CHB	Hanger screw conveyor unit							
EHB	Hanger unit							
CL	Narrow inner ring, Centrik-Lok collar			_____				
S	Narrow inner ring, Spring Locking			_____				
2	200 Series ball bearing designation				_____			
19	Shaft size in sixteenths of an inch					_____		
M30	Shaft size, metric series in millimeters					_____		
J	Steel retainers							
E1	Viton seals, Increased Clearance, Steel Retainer, High Temp 400 Deg F Lube							
E	Molded single lip seals							
FF	Flingers only, 50% grease fill							
HFF	Flingers only, 10% oil fill							
MHFF	Flingers only, 10% grease fill							
N	Single lip seals - standard							
N3	Narrow triple lip seals							
K75	Nickel plated housing							_____
K4	100% grease filled							_____
K5	No grease - Preservative only							_____
K6	100% grease filled and housing plugged							_____
18A	SHC100 grease							
18W	SHC460 grease							
18Y	SHC220 grease							
4C	Molykote 44 grease							
99A	Food grade grease							
2, 3, 4, 5	Clearances other than standard							

200 Series Medium Duty Ball Bearing Insert Nomenclature

Symbol	Description	M	S	G	2	20	N	L	PA
M	Medium Duty	_____							
CL	Narrow inner ring, Centrik-Lok collar		_____						
S	Narrow inner ring, Spring Locking			_____					
None	Non-relubricatable bearing				_____				
G	Relubricatable bearing					_____			
2	200 Series ball bearing designation						_____		
20	Shaft size in sixteenths of an inch							_____	
M30	Shaft size, metric series in millimeters								_____
E1	Viton seals, Increased Clearance, Steel Retainer, High Temp. Lube								
E	Molded single lip seals								
FF	Flingers only, 50% grease fill								
HFF	Flingers only, 10% oil fill								
MHFF	Flingers only, 10% grease fill								
N	Single lip seals - standard								
N3	Narrow triple lip seals								
L1	Bearing without collar								
L	Bearing with collar & setscrews								
PA	Suffix designation for unmounted replacement bearing insert								

200 Series Medium Duty Ball Bearings Selection Guide

To select a bearing, determine the applied radial load, the applied thrust load, the desired Rating Life, and applicable operating conditions. The procedure shown here will aid in selecting a bearing to meet an L₁₀ design life. The formulas for calculating life expectancy should be used to determine the Rating Life L₁₀ for the bearing selected.

The selection procedures and rating formulas shown here are in agreement with The American Bearing Manufacturers Association Standards and ANSI/ABMA Standards STD 9-1990. Ratings are based on fatigue life. The Rating Life or fatigue life at 90% reliability is the usual basis for bearing selection.

Medium duty bearings have extended inner rings on one side only for compactness and low cost. These series are applicable to light or moderate duty requirements.

Where non-relubricatable bearings are used, bearing life is often limited by grease life, which is in turn affected by operating conditions. Also, economically designed housings must be applied within proportionate load limits. To assure a satisfactory bearing application, fitting practice, mounting, lubrication, sealing, static rating, housing strength, operating conditions and maintenance must be considered.

Steps for Selection

Step 1

Determine an appropriate L₁₀ design life.

Type of service	Operating time, hours per year	Design life, years	L ₁₀ design life, hours
Light seasonal usage	500 to 750	3-5	3,000
Heavy seasonal usage	1,400 to 1,600	4-6	8,000
Industrial—8 hour shift	2,000	10	20,000

Step 2

Determine a required $\left(\frac{C}{P}\right)$ from Table 1.

Step 3

Calculate the required C and select a ball bearing.

a For radial load only:

$$P = F_r$$

$$\text{required } C = \left(\frac{C}{P}\right) P \text{ using } \left(\frac{C}{P}\right) \text{ from Step 2}$$

Select a ball bearing from Table 3 with a basic load rating C equal to or greater than the required C.

b For combined radial and thrust loads when $\frac{F_a}{F_r}$ is 0.19 or less:

$$P = F_r$$

$$\text{required } C = \left(\frac{C}{P}\right) P \text{ using } \left(\frac{C}{P}\right) \text{ from Step 2}$$

Select a ball bearing from Table 3 with a basic load rating C equal to or greater than the required C.

Step 3 (continued)

c For combined radial and thrust loads when $\frac{F_a}{F_r}$ is greater than 0.19, use the following trial method:

$$\text{Maximum } P = .56F_r + 2.30F_a$$

$$\text{Maximum required } C = \left(\frac{C}{P}\right) P \text{ using } \left(\frac{C}{P}\right) \text{ from Step 2}$$

Select a trial ball bearing with a basic load rating C from Table 3 approximately equal to the maximum required C.

With this trial bearing calculate: $\frac{F_a}{Nd^2}$

Determine X and Y from Table 2.

Calculate P for the trial bearing.

$$P = XF_r + YF_a$$

$$\text{required } C = \left(\frac{C}{P}\right) P \text{ for the trial bearing using } \left(\frac{C}{P}\right) \text{ from Step 2}$$

Consult Table 3, basic load rating. If a smaller bearing meets or nearly meets the required C, its life expectancy can be calculated.

Note: If the load P is greater than .15C for series 25 and 35 consult Rexnord Bearing Products.

Selection

Symbols for formulas:

- C = basic load rating, pounds (or newtons)
- C₀ = static load rating, pounds (or newtons)
- e = a reference value
- F_a = thrust load, pounds (or newtons)
- F_r = radial load, pounds (or newtons)
- L₁₀ = rating life, hours
- n = speed, revolutions per minute
- P = equivalent radial load, pounds (or newtons)
- X = radial factor
- Y = thrust factor

Table 1 • Relation of L₁₀ life and speed to $\left(\frac{C}{P}\right)$

Bearing life, hours L ₁₀	$\left(\frac{C}{P}\right)$ ratio								
	Speed, n								
	50	100	200	300	400	500	600	700	800
3000	2.08	2.62	3.30	3.77	4.15	4.47	4.75	5.01	5.23
4000	2.29	2.88	3.63	4.15	4.57	4.92	5.23	5.51	5.76
5000	2.46	3.10	3.91	4.47	4.92	5.30	5.64	5.93	6.20
6000	2.62	3.30	4.15	4.75	5.23	5.64	5.99	6.30	6.59
8000	2.88	3.63	4.57	5.23	5.76	6.20	6.59	6.94	7.25
10000	3.10	3.91	4.92	5.64	6.20	6.68	7.10	7.47	7.81
12000	3.30	4.15	5.23	5.99	6.59	7.10	7.54	7.94	8.30
14000	3.47	4.37	5.51	6.30	6.94	7.47	7.94	8.36	8.74
16000	3.63	4.57	5.76	6.59	7.25	7.81	8.30	8.74	9.14
18000	3.77	4.75	5.99	6.86	7.54	8.13	8.63	9.09	9.50
20000	3.91	4.92	6.20	7.10	7.81	8.42	8.94	9.41	9.84
25000	4.21	5.30	6.68	7.65	8.42	9.07	9.63	10.10	10.60
30000	4.47	5.64	7.10	8.13	8.94	9.63	10.20	10.80	11.30
35000	4.71	5.93	7.47	8.55	9.41	10.10	10.80	11.30	11.90
40000	4.92	6.20	7.81	8.94	9.84	10.60	11.30	11.90	12.40
45000	5.12	6.45	8.13	9.30	10.20	11.00	11.70	12.30	12.90
50000	5.30	6.68	8.42	9.63	10.60	11.40	12.10	12.80	13.40
60000	5.64	7.10	8.94	10.20	11.30	12.10	12.90	13.60	14.20
70000	5.93	7.47	9.41	10.80	11.90	12.80	13.60	14.30	14.90
80000	6.20	7.81	9.84	11.30	12.40	13.40	14.20	14.90	15.60
90000	6.45	8.13	10.20	11.70	12.90	13.90	14.80	15.50	16.20
100000	6.68	8.42	10.60	12.10	13.40	14.40	15.30	16.10	16.80
150000	7.65	9.63	12.10	13.90	15.30	16.50	17.50	18.40	19.30
200000	8.42	10.60	13.40	15.30	16.80	18.10	19.30	20.30	21.20
	Speed, n								
	900	1000	1200	1500	1800	2400	3600	6000	10000
3000	5.44	5.64	5.99	6.45	6.86	7.54	8.63	10.20	12.10
4000	5.99	6.20	6.59	7.10	7.54	8.30	9.50	11.30	13.40
5000	6.45	6.68	7.10	7.65	8.13	8.94	10.20	12.10	14.40
6000	6.86	7.10	7.54	8.13	8.63	9.50	10.90	12.90	15.30
8000	7.54	7.81	8.30	8.94	9.50	10.50	12.00	14.20	16.80
10000	8.13	8.42	8.94	9.63	10.20	11.30	12.90	15.30	18.10
12000	8.63	8.94	9.50	10.20	10.90	12.00	13.70	16.20	19.30
14000	9.09	9.41	10.0	10.80	11.40	12.60	14.40	17.10	20.30
16000	9.50	9.84	10.5	11.30	12.00	13.20	15.10	17.90	21.20
18000	9.88	10.20	10.90	11.70	12.40	13.70	15.70	18.60	22.00
20000	10.20	10.60	11.30	12.10	12.90	14.20	16.20	19.30	22.80
25000	11.00	11.40	12.10	13.10	13.90	15.30	17.50	20.70	24.60
30000	11.70	12.10	12.90	13.90	14.80	16.20	18.60	22.00	26.10
35000	12.30	12.80	13.60	14.60	15.50	17.10	19.60	23.20	27.50
40000	12.90	13.40	14.20	15.30	16.20	17.90	20.50	24.30	28.70
45000	13.40	13.90	14.80	15.90	16.90	18.60	21.30	25.20	29.90
50000	13.90	14.40	15.30	16.50	17.50	19.30	22.00	26.10	31.00
60000	14.80	15.30	16.20	17.50	18.60	20.50	23.40	27.80	32.90
70000	15.50	16.10	17.10	18.40	19.60	21.50	24.60	29.20	34.60
80000	16.20	16.80	17.90	19.30	20.50	22.50	25.80	30.50	36.20
90000	16.90	17.50	18.60	20.00	21.30	23.40	26.80	31.80	37.70
100000	17.50	18.10	19.30	20.70	22.00	24.30	27.80	32.90	39.00
150000	20.00	20.70	22.00	23.70	25.20	27.80	31.80	37.70	44.60
200000	22.00	22.80	24.30	26.10	27.80	30.50	35.00	41.40	49.10

Basic formula

$$\left(\frac{C}{P}\right) = \left(\frac{L_{10} \times n \times 60}{1,000,000}\right)^{1/3}$$

$$L_{10} = \frac{\left(\frac{C}{P}\right)^3 \times 1,000,000}{n \times 60}$$

Life Expectancy

To calculate the Rating Life L₁₀ of any selected or trial bearing:

Step 1

Determine the equivalent radial load P.

a For radial load only:
P = F_r

b For combined radial and thrust load:
P = X F_r + Y F_a using X and Y from Table 2 below.

Step 2

Calculate the ratio of basic load rating C to the equivalent radial load.

$$\left(\frac{C}{P}\right)$$

Step 3

Approximate the bearing life from Table 1.

Table 2 • X and Y factors for ball bearings

F _a Nd ²	e	F _a / F _r ≤ e		F _a / F _r > e	
		X	Y	X	Y
25	.19	1.0	0	.56	2.30
37.5	.21	1.0	0	.56	2.15
50	.22	1.0	0	.56	1.99
75	.24	1.0	0	.56	1.85
100	.26	1.0	0	.56	1.71
125	.27	1.0	0	.56	1.63
150	.28	1.0	0	.56	1.56
200	.30	1.0	0	.56	1.45
300	.34	1.0	0	.56	1.31
500	.38	1.0	0	.56	1.15
750	.42	1.0	0	.56	1.04
1000	.44	1.0	0	.56	1.00

For values between those in the table linear interpolation can be used.

Life Adjustment

The Rating Life, L₁₀, may be modified for some applications in accordance with the formula

$$L'_n = a_1 a_2 a_3 L_{10}$$

where L'_n = Adjusted life for (100-n) % reliability,

a₁ = Life adjustment factor for reliability

a₂ = Life adjustment factor for material and processing

a₃ = Life adjustment factor for operating conditions.

For most normal applications, all factors will be taken as 1, and the Rating Life used as the selection basis or life estimate. In addition, as long as standard catalog bearings are used, a₂ will be normally set equal to one. The factor a₃ covers such things as lubrication, misalignment, and temperature. Some conditions that could yield a₃ significantly different than unity include speeds less than 20000 DN or greater than 200000 DN, temperatures below -40°F (-40°C) or above 275°F (135°C). For other possible conditions, as well as additional information on life adjustment factors, consult Rexnord Bearing Products.

Table 3 - Load Ratings

Size Code	C Basic load rating		Co Static load rating		Approximate speed limit RPM*			d Ball Diameter	N Number of balls	Nd ²
	Pounds	Newtons	Pounds	Newtons	N Seals	E Seals‡	Flingers	inches		
206	4390	19500	2530	1130	8000	5600	9800	3/8	9	1.27
207	5810	25800	3440	15300	6850	4800	8400	7/16	9	1.72
208	7330	32600	4460	19900	6000	4500	7500	1/2	9	2.25
209	7370	32800	4590	20400	5330	4000	6800	1/2	9	2.25
210	7920	35200	5220	23200	4800	3600	6400	1/2	10	2.50
211	9800	43600	6570	29200	4360	3200	5800	9/16	10	3.16
212	11840	52700	8080	36000	4000	3000	5300	5/8	10	3.91
214	14040	62450	8620	38300	3050	2850	4600	11/16	10	4.73
215	15080	67000	11100	49200	3300	2700	4400	11/16	11	5.20
216	17420	77500	11400	50700	2700	2550	4050	3/4	11	6.19
218	21580	95990	14400	64000	2400	2250	3600	7/8	10	7.66

If the load P is greater than 15% of the C rating for S200 and 25% of the C rating for CL200, consult Rexnord Bearing Division.

For S200 Series reduce C Basic Load Rating by 23%.

For CL200 Series reduce C Basic Load Rating by 15%.

* Based on grease lubrication and moderate load.

‡ E seals operation at higher speeds up to N seal speed limit is allowable providing the lip seal friction does not result in operating temperatures over 225°F (107°C).

Table 4 - Load Ratings

Size Code	L10 Minimum life, hours	Radial Load Ratings, Pounds																		
		Speed, RPM																		
		50	100	200	300	400	500	600	700	800	900	1000	1200	1500	1800	2000	2500	3000	3500	
206	8000	1523	1209	960	838	762	707	665	632	605	581	561	528	490	461	445	413	389	370	
	20000	1122	891	707	618	561	521	490	466	445	428	413	389	361	340	328	305	287	272	
	40000	891	707	561	490	445	413	389	370	354	340	328	309	287	270	260	242	228	216	
	100000	656	521	413	361	328	305	287	272	260	250	242	228	211	199	192	178	168	159	
207	8000	2015	1599	1269	1109	1007	935	880	836	799	769	742	698	648	610	589	547	515	489	
	20000	1484	1178	935	817	742	689	648	616	589	566	547	515	478	450	434	403	379	360	
	40000	1178	935	742	648	589	547	515	489	468	450	434	408	379	357	344	320	301	286	
	100000	868	689	547	478	434	403	379	360	344	331	320	301	279	263	254	236	222	211	
208	8000	2542	2017	1601	1399	1271	1180	1110	1055	1009	970	936	881	818	770	743	690	649	617	
	20000	1873	1486	1180	1031	936	869	818	777	743	715	690	649	603	567	548	508	478	454	
	40000	1486	1180	936	818	743	690	649	617	590	567	548	515	478	450	435	403	380	361	
	100000	1095	869	690	603	548	508	478	454	435	418	403	380	352	332	320	297	280	266	
209	8000	2555	2028	1610	1406	1278	1186	1116	1060	1014	975	941	886	822	774	747	694	653	620	
	20000	1883	1494	1186	1036	941	874	822	781	747	718	694	653	606	570	551	511	481	457	
	40000	1494	1186	941	822	747	694	653	620	593	570	551	518	481	453	437	406	382	363	
	100000	1101	874	694	606	551	511	481	457	437	420	406	382	354	333	322	299	281	267	
210	8000	2745	2178	1729	1510	1372	1274	1199	1139	1089	1047	1011	952	883	831	803	745	701	666	
	20000	2022	1605	1274	1113	1011	939	883	839	803	772	745	701	651	612	591	549	517	491	
	40000	1605	1274	1011	883	803	745	701	666	637	612	591	556	517	486	469	436	410	389	
	100000	1183	939	745	651	591	549	517	491	469	451	436	410	381	358	346	321	302	287	
211	8000	3398	2697	2141	1870	1699	1577	1484	1410	1349	1297	1252	1178	1094	1029	994	922	868	825	
	20000	2504	1987	1577	1378	1252	1162	1094	1039	994	955	922	868	806	758	732	680	640	608	
	40000	1987	1577	1252	1094	994	922	868	825	789	758	732	689	640	602	581	539	508	482	
	100000	1464	1162	922	806	732	680	640	608	581	559	539	508	471	443	428	397	374	355	
212	8000	4106	3259	2586	2259	2053	1906	1793	1704	1629	1567	1513	1423	1321	1243	1201	1114	1049	996	
	20000	3025	2401	1906	1665	1513	1404	1321	1255	1201	1154	1114	1049	974	916	885	821	773	734	
	40000	2401	1906	1513	1321	1201	1114	1049	996	953	916	885	832	773	727	702	652	613	583	
	100000	1769	1404	1114	974	885	821	773	734	702	675	652	613	569	536	517	480	452	429	
214	8000	4867	3863	3066	2679	2434	2259	2126	2020	1932	1857	1793	1687	1566	1474	1423	1321	1243	1181	
	20000	3586	2846	2259	1974	1793	1665	1566	1488	1423	1368	1321	1243	1154	1086	1049	973	916	870	
	40000	2846	2259	1793	1566	1423	1321	1243	1181	1130	1086	1049	987	916	862	832	773	727	691	
	100000	2097	1665	1321	1154	1049	973	916	870	832	800	773	727	675	635	613	569	536	509	
215	8000	5228	4149	3293	2877	2614	2427	2284	2169	2075	1995	1926	1812	1683	1583	1529	1419	1335	1259	
	20000	3852	3057	2427	2120	1926	1788	1683	1598	1529	1470	1419	1335	1240	1167	1126	1046	984	934	
	40000	3057	2427	1926	1683	1529	1419	1335	1269	1213	1167	1126	1060	984	926	894	830	781	741	
	100000	2253	1788	1419	1240	1126	1046	984	935	894	860	830	781	725	682	659	611	575	545	
216	8000	6039	4793	3804	3323	3020	2803	2638	2506	2397	2304	2225	2094	1944	1829	1766	1639	1529	1435	
	20000	4450	3532	2803	2449	2225	2065	1944	1846	1766	1698	1639	1543	1432	1348	1301	1208	1137	1070	
	40000	3532	2803	2225	1944	1766	1639	1543	1465	1402	1348	1301	1224	1137	1070	1033	959	909	863	
	100000	2602	2065	1639	1432	1301	1208	1137	1080	1033	993	959	902	837	788	761	706	661	626	
218	8000	7481	5938	4713	4117	3741	3473	3268	3104	2969	2855	2756	2594	2408	2266	2188	2088	1996	1911	
	20000	5512	4375	3473	3034	2756	2559	2408	2287	2188	2103	2031	1911	1774	1669	1612	1529	1454	1388	
	40000	4375	3473	2756	2408	2188	2031	1911	1815	1736	1669	1612	1517	1408	1325	1279	1204	1138	1082	
	100000	3224	2559	2031	1774	1612	1496	1408	1338	1279	1230	1188	1118	1037	976	943	888	842	807	

If the load P is greater than 15% of the C rating for S200 and 25% of the C rating for CL200, consult Rexnord Bearing Division.

For S200 Series reduce C Basic Load Rating by 23%.

For CL200 Series reduce C Basic Load Rating by 15%.

Operation in the high speed shaded areas requires frequent lubrication.

MPCL200N

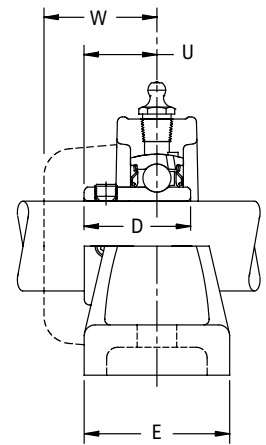
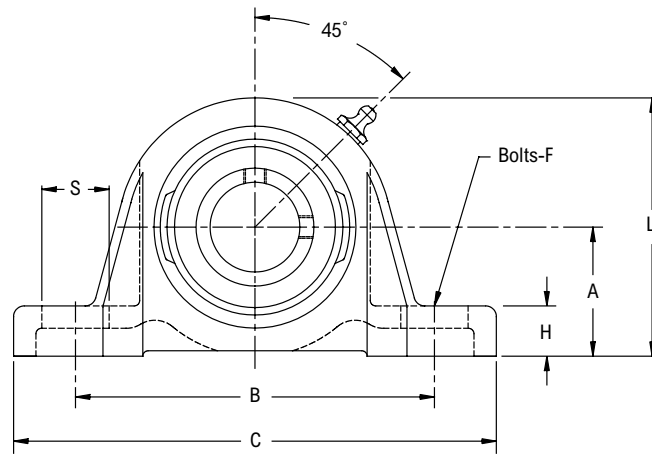
Interchange: P2BDLM, MP-T



Photo Shows a 2-Bolt Ball Bearing Pillow Block Unit

Product Features

- Corrosion-resistant powder coating
- Cast iron housing
- Broad range of sealing options
- Centrik-Lok shaft locking device
- Alignable & relubricatable
- See Features and Benefits for additional info on pages 382 - 383.



Bearing Dimensions

Size Code	Shaft Diameter	Part Number	A Base to Centerline Height	B Distance Between Bolt Holes	C	D	E	F Bolts	H	L	M Collar O.D.	S	U	Approx. Weight
206	1	MPCL216N◆●□△	1 11/16	4 5/8	6 5/16	1 5/16	1 5/8	1/2	11/16	3 5/16	2 19/32	15/16	29/32	2.54
207	1 3/16	MPCL219N◆●□△	1 7/8	4 15/16	6 3/8	1 31/64	1 3/4	1/2	13/16	3 11/16	3 1/16	7/8	1 1/32	3.58
208	1 7/16	MPCL223N◆●□△	2 1/8	5 3/8	7 1/16	1 25/32	1 7/8	1/2	15/16	4 1/8	3 3/16	15/16	1 7/32	4.65
209	1 1/2	MPCL224N◆●□△	2 1/8	5 11/16	7 1/4	1 25/32	2	1/2	13/16	4 5/16	3 3/8	1	1 7/32	5.40
210	1 11/16	MPCL227N◆●□△	2 1/4	6 3/16	7 7/8	1 51/64	2 1/8	5/8	7/8	4 9/16	3 3/4	15/16	1 5/16	6.53
	1 3/4	MPCL228N◆●□△												
211	1 15/16	MPCL231N◆●□△	2 1/2	6 29/32	8 7/8	1 57/64	2 5/16	5/8	1	5	4 3/32	1 7/32	1 11/32	7.87
	2	MPCL232N◆●□△												
212	2 3/16	MPCL235N◆●□△	2 3/4	7 1/2	9 1/2	2 5/32	2 3/8	5/8	1 3/16	5 7/16	4 9/32	1 1/8	1 19/32	10.24
214	2 7/16	MPCL239N◆●□△	3	8 1/4	10 3/4	2 5/16	2 11/16	3/4	1 5/32	6	4 13/16	1 1/2	1 21/32	13.31
	2 1/2	MPCL240N◆●□△												
215	2 11/16	MPCL243N◆●□△	3 1/2	9 1/8	12	2 23/64	2 7/8	7/8	1 7/32	6 21/32	5 1/4	1 7/8	1 11/16	17.36
216	2 15/16	MPCL247N◆●□△	3 1/2	9 1/4	12	2 25/32	3	7/8	1 9/32	6 7/8	5 47/64	1 3/4	2 5/64	19.32
	3	MPCL248N◆●□△												
218	3 3/16	MPCL251N◆●□△	4	10 7/8	14	2 19/32	3 3/8	7/8	1 11/32	7 7/8	5 47/64	1 15/16	1 25/32	27.52
	3 7/16	MPCL255N◆●□△												
	3 1/2	MPCL256N◆●□△												

Additional Notes

- Please call 1-866-REXNORD for availability
- Lubrication fitting tap size, 1/8 in PT
- Base to centerline tolerance, +/- .005 in (+/- 0.13 mm)
- Lip seals standard
- ◆ Available with E1 viton seals
- Available with free running style seals, add suffix ● FF, □ HFF or △ MHFF
- Available with narrow triple lip contact seals, add suffix ▽ N3
- Nickel plated housings available through all size codes, add suffix K75

For the Selection Guide, Load Ratings and Speed Limits, see the Link Belt 200 Series Medium Duty Ball Bearings Engineering section on pages 386 - 389.
 Note: Dimensions subject to change. Certified dimensions of ordered material furnished on request.

MPS200N

Interchange: P2BSCM, SYM-TF, UCPX, MP, YASM

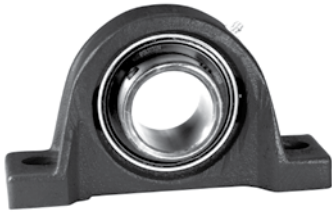
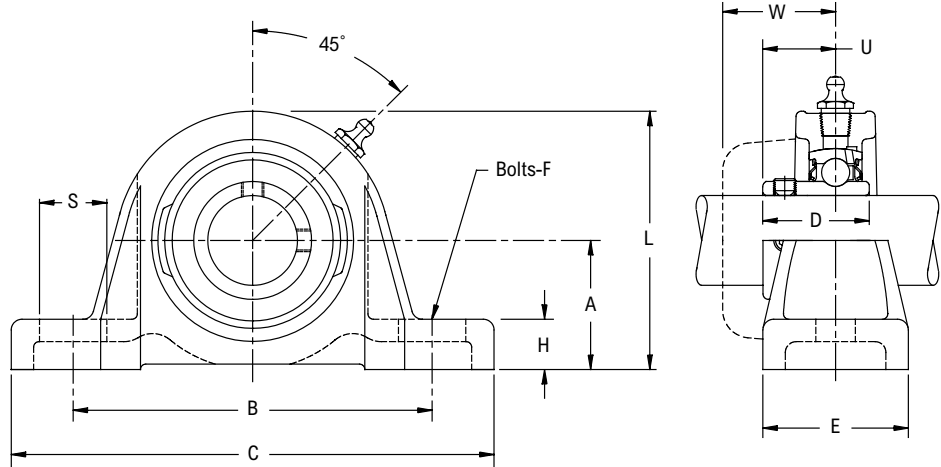


Photo Shows a 2-Bolt Ball Bearing Pillow Block Unit

Product Features

- Corrosion-resistant powder coating
- Cast iron housing
- Broad range of sealing options
- Spring locking setscrew mount
- Alignable & relubricatable
- See Features and Benefits for additional info on pages 382 - 383.



Bearing Dimensions

Size Code	Shaft Diameter	Part Number	A Base to Centerline Height	B Distance Between Bolt Holes	C	D	E	F Bolts	H	L	S	U	Approx. Weight
206	1	MPS216N◆●□△	1 11/16	4 5/8	6 5/16	1 11/32	1 5/8	1/2	11/16	3 5/16	15/16	61/64	2.54
207	1 3/16	MPS219N◆●□△	1 7/8	4 15/16	6 3/8	1 9/16	1 3/4	1/2	13/16	3 11/16	7/8	1 7/64	3.58
208	1 7/16	MPS223N◆●□△	2 1/8	5 3/8	7 1/16	1 21/32	1 7/8	1/2	15/16	4 1/8	15/16	1 11/64	4.65
209	1 1/2	MPS224N◆●□△	2 1/8	5 11/16	7 1/4	1 49/64	2	1/2	13/16	4 5/16	1	1 15/64	5.40
210	1 11/16	MPS227N◆●□△	2 1/4	6 3/16	7 7/8	1 13/16	2 1/8	5/8	7/8	4 9/16	15/16	1 17/64	6.53
	1 3/4	MPS228N◆●□△											
211	1 15/16	MPS231N◆●□△	2 1/2	6 29/32	8 7/8	1 13/16	2 5/16	5/8	1	5	1 7/32	1 9/32	7.87
	2	MPS232N◆●□△											
212	2 3/16	MPS235N◆●□△	2 3/4	7 1/2	9 1/2	1 57/64	2 3/8	5/8	1 3/16	5 7/16	1 1/8	1 5/16	10.24
214	2 7/16	MPS239N◆●□△	3	8 1/4	10 3/4	2 15/64	2 11/16	3/4	1 5/32	6	1 1/2	1 7/16	13.31
	2 1/2	MPS240N◆●□△											
215	2 11/16	MPS243N◆●□△	3 1/2	9 1/8	12	2 17/64	2 7/8	7/8	1 7/32	6 21/32	1 7/8	1 15/32	17.36
216	2 15/16	MPS247N◆●□△	3 1/2	9 1/4	12	2 23/64	3	7/8	1 9/32	6 7/8	1 3/4	1 1/2	19.32
	3	MPS248N◆●□△											
218	3 3/16	MPS251N◆●□△	4	10 7/8	14	2 33/64	3 3/8	7/8	1 11/32	7 7/8	1 15/16	1 9/16	27.52
	3 7/16	MPS255N◆●□△											
	3 1/2	MPS256N◆●□△											

Additional Notes

- Please call 1-866-REXNORD for availability
- Lubrication fitting tap size, 1/8 in PT
- Base to centerline tolerance, +/- .005 in (+/- 0.13 mm)
- Lip seals standard
- ◆ Available with E1 viton seals for all sizes
- Available with free running style seals, add suffix ● FF, □ HFF or △ MHFF
- Available with narrow triple lip contact seals, add suffix ▶ N3

For the Selection Guide, Load Ratings and Speed Limits, see the Link Belt 200 Series Medium Duty Ball Bearings Engineering section on pages 386 - 389.
 Note: Dimensions subject to change. Certified dimensions of ordered material furnished on request.

MFXCL200N

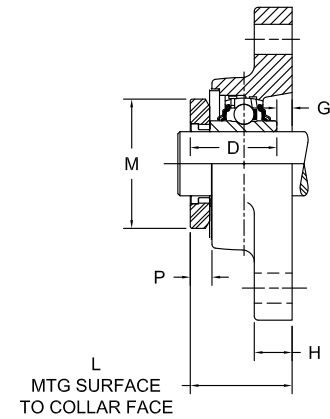
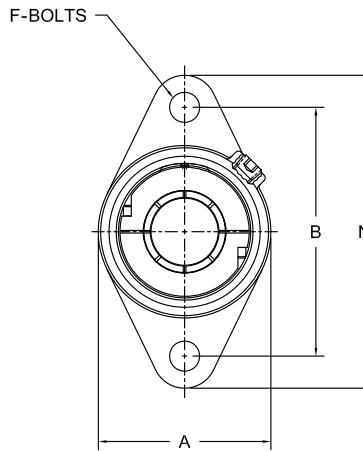
Interchange: F2BDLM, MSFT-T



Photo Shows a 2-Bolt Ball Bearing Flanged Unit

Product Features

- Corrosion-resistant powder coating
- Cast iron housing
- Broad range of sealing options
- Centrik-Lok shaft locking device
- Alignable & relubricatable
- See Features and Benefits for additional info on pages 382 - 383.



Bearing Dimensions

Size Code	Shaft Diameter	Part Number	B Distance Between Bolt Holes	L Mounting Surface to Collar Face	A	D	F Bolts	G	H	M Collar O.D.	N	P	Approx. Weight
206	1	MFXCL216N◆●□△▶	4 ¹⁹ / ₃₂	1 ⁷ / ₁₆	3 ³ / ₁₆	1 ⁵ / ₁₆	⁷ / ₁₆	¹ / ₈	¹⁷ / ₃₂	2 ¹⁹ / ₃₂	5 ⁹ / ₁₆	⁹ / ₁₆	2.54
207	1 ³ / ₁₆	MFXCL219N◆●□△▶	5 ¹ / ₈	1 ⁵ / ₈	3 ¹¹ / ₁₆	1 ¹⁵ / ₃₂	¹ / ₂	⁵ / ₃₂	⁹ / ₁₆	3 ¹ / ₁₆	6 ¹ / ₈	²¹ / ₃₂	3.32
208	1 ⁷ / ₁₆	MFXCL223N◆●□△▶	5 ²¹ / ₃₂	1 ⁵⁵ / ₆₄	4 ¹ / ₈	1 ²⁵ / ₃₂	¹ / ₂	¹¹ / ₆₄	⁹ / ₁₆	3 ³ / ₁₆	6 ³ / ₄	²¹ / ₃₂	4.55
209	1 ¹ / ₂	MFXCL224N◆●□△▶	5 ²⁷ / ₃₂	1 ⁷ / ₈	4 ³ / ₈	1 ²⁵ / ₃₂	⁹ / ₁₆	¹¹ / ₆₄	⁹ / ₁₆	3 ³ / ₈	7 ¹ / ₁₆	²³ / ₃₂	5.03
210	1 ¹¹ / ₁₆	MFXCL227N◆●□△▶	6 ³ / ₁₆	1 ⁶¹ / ₆₄	4 ⁹ / ₁₆	1 ⁵¹ / ₆₄	⁹ / ₁₆	⁵ / ₃₂	⁵ / ₈	3 ³ / ₄	7 ¹⁵ / ₃₂	²³ / ₃₂	5.59
	1 ³ / ₄	MFXCL228N◆●□△▶											
211	1 ¹⁵ / ₁₆	MFXCL231N◆●□△▶	7 ¹ / ₄	2 ⁵ / ₁₆	5	1 ⁵⁷ / ₆₄	⁵ / ₈	⁵ / ₃₂	⁵ / ₈	4 ³ / ₃₂	8 ¹ / ₂	¹¹ / ₁₆	7.69
	2	MFXCL232N◆●□△▶											

Additional Notes

- Please call 1-866-REXNORD for availability
- Lubrication fitting tap size, 1/8 in PT
- Lip seals standard
- ◆ Available with E1 viton seals
- Available with free running style seals, add suffix ● FF, □ HFF or △ MHFF
- Available with narrow triple lip contact seals, add suffix ▶ N3
- Nickel plated housings available through all size codes, add suffix K75

For the Selection Guide, Load Ratings and Speed Limits, see the Link Belt 200 Series Medium Duty Ball Bearings Engineering section on pages 386 - 389.
 Note: Dimensions subject to change. Certified dimensions of ordered material furnished on request.

MFXS200

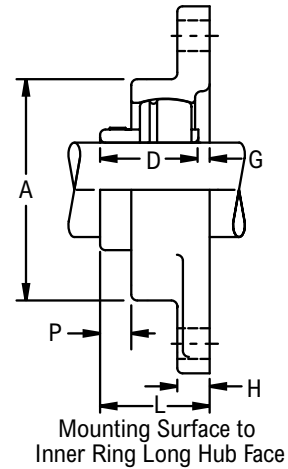
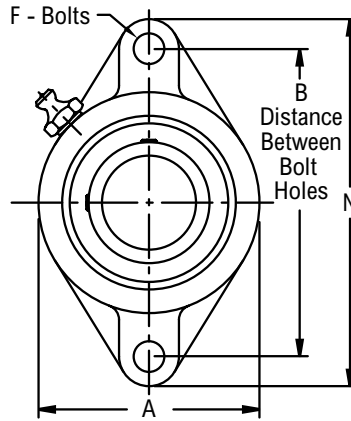
Interchange: F2BSCM, FYTM-TF, UCFTX, MSFT, YCJTM



Photo Shows a 2-Bolt Ball Bearing Flanged Unit

Product Features

- Corrosion-resistant powder coating
- Cast iron housing
- Broad range of sealing options
- Spring locking setscrew mount
- Alignable & relubricatable
- See Features and Benefits for additional info on pages 382 - 383.



Bearing Dimensions

Size Code	Shaft Diameter	Part Number	B Distance Between Bolt Holes	L Mounting Surface to Inner Ring Long Hub Face	A	D	F Bolts	G	H	N	P	Approx. Weight
206	1	MFXS216N◆●□△	4 ¹⁹ / ₃₂	1 ¹ / ₂	3 ³ / ₁₆	1 ¹¹ / ₃₂	⁷ / ₁₆	⁹ / ₆₄	¹⁷ / ₃₂	5 ⁹ / ₁₆	⁹ / ₁₆	1.79
	30.00	MFXS2M30N◆●□△	116.68	38.10	81.00	34.14	10.00	3.60	13.50	141.30	14.30	0.80
207	1 ³ / ₁₆	MFXS219N◆●□△	5 ¹ / ₈	1 ²³ / ₃₂	3 ¹¹ / ₁₆	1 ⁹ / ₁₆	¹ / ₂	⁵ / ₃₂	⁹ / ₁₆	6 ¹ / ₈	²¹ / ₃₂	2.69
	35.00	MFXS2M35N◆●□△	130.18	43.70	93.70	39.67	12.00	3.60	14.30	155.60	16.70	1.20
208	1 ⁷ / ₁₆	MFXS223N◆●□△	5 ²¹ / ₃₂	1 ¹³ / ₁₆	4 ¹ / ₈	1 ²¹ / ₃₂	¹ / ₂	¹¹ / ₆₄	⁹ / ₁₆	6 ³ / ₄	²¹ / ₃₂	3.47
	40.00	MFXS2M40N◆●□△	143.67	46.00	104.80	42.06	12.00	4.00	14.30	171.40	16.70	1.50
209	1 ¹ / ₂	MFXS224N◆●□△	5 ²⁷ / ₃₂	1 ²⁹ / ₃₂	4 ³ / ₈	1 ⁴⁹ / ₆₄	⁹ / ₁₆	¹¹ / ₆₄	⁹ / ₁₆	7 ¹ / ₁₆	²³ / ₃₂	3.46
210	1 ¹¹ / ₁₆	MFXS227N◆●□△	6 ³ / ₁₆	1 ²⁹ / ₃₂	4 ⁹ / ₁₆	1 ¹³ / ₁₆	⁹ / ₁₆	⁵ / ₃₂	⁵ / ₈	7 ¹⁵ / ₃₂	²³ / ₃₂	4.43
	1 ³ / ₄	MFXS228N◆●□△										4.34
211	1 ¹⁵ / ₁₆	MFXS231N◆●□△	7 ¹ / ₄	2	5	1 ¹³ / ₁₆	⁵ / ₈	⁵ / ₃₂	²³ / ₃₂	8 ¹ / ₂	¹¹ / ₁₆	5.74
	2	MFXS232N◆●□△										6.04

Additional Notes

- Please call 1-866-REXNORD for availability
- Lubrication fitting tap size: for size codes 203 thru 205, 1/4-28 UNF; for all other size codes, 1/8 in PT
- Lip seals standard
- ◆ Available with E1 viton seals
- Available with free running style seals, add suffix ● FF, □ HFF or △ MHFF
- Available with narrow triple lip contact seals, add suffix ► N3
- Nickel plated housings available, add suffix K75

For the Selection Guide, Load Ratings and Speed Limits, see the Link Belt 200 Series Medium Duty Ball Bearings Engineering section on pages 386 - 389.

Note: Dimensions subject to change. Certified dimensions of ordered material furnished on request.

MFCL200N

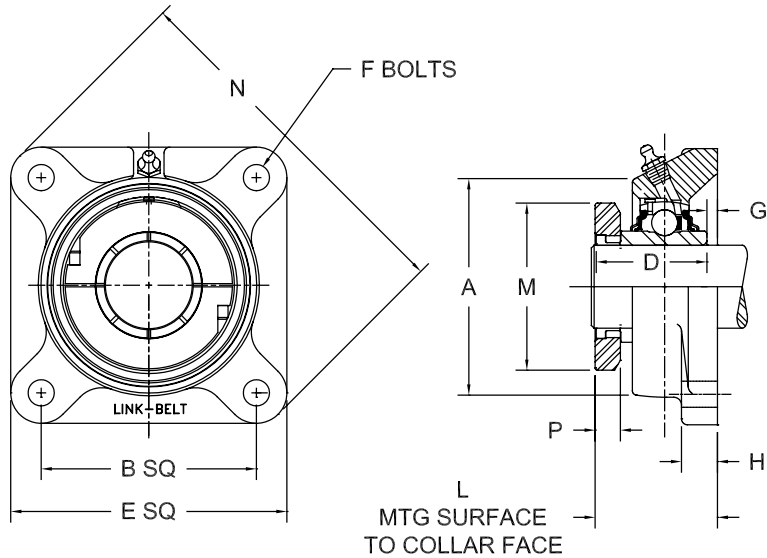
Interchange: F4BDLM, MSF-T



Photo Shows a 4-Bolt Ball Bearing Flanged Unit

Product Features

- Corrosion-resistant powder coating
- Cast iron housing
- Broad range of sealing options
- Centrik-Lok shaft locking device
- Alignable & relubricatable
- See Features and Benefits for additional info on pages 382 - 383.



Bearing Dimensions

Size Code	Shaft Diameter	Part Number	B Distance Between Bolt Holes	L Mounting Surface to Collar Face	A	D	E	F Bolts	G	H	M Collar O.D.	N	P	Approx. Weight
206	1	MFCL216N◆●□△	3 1/4	1 7/16	3 3/16	1 5/16	4 1/4	7/16	1/8	1/2	2 19/32	5 19/32	9/16	2.54
207	1 3/16	MFCL219N◆●□△	3 5/8	1 5/8	3 11/16	1 15/32	4 5/8	1/2	5/32	1/2	3 1/16	6 1/8	21/32	3.32
208	1 7/16	MFCL223N◆●□△	4	1 55/64	4 1/16	1 25/32	5 1/4	1/2	11/64	9/16	3 3/16	6 25/32	21/32	4.55
209	1 1/2	MFCL224N◆●□△	4 1/8	1 7/8	4 5/16	1 25/32	5 3/8	9/16	11/64	9/16	3 3/8	7 3/32	23/32	5.03
210	1 11/16	MFCL227N◆●□△	4 3/8	1 61/64	4 1/2	1 51/64	5 5/8	9/16	5/32	9/16	3 3/4	7 7/16	23/32	5.59
	1 3/4	MFCL228N◆●□△												
211	1 15/16	MFCL231N◆●□△	5 1/8	2 5/16	5 3/16	1 57/64	6 3/8	5/8	5/32	5/8	4 3/32	8 1/2	11/16	7.69
	2	MFCL232N◆●□△												
212	2 3/16	MFCL235N◆●□△	5 5/8	2 3/8	5 7/16	2 5/32	6 7/8	5/8	13/64	11/16	4 9/32	9 9/32	21/32	9.34
	2 1/4	MFCL236N◆●□△												
214	2 7/16	MFCL239N◆●□△	5 7/8	2 19/32	6 1/8	2 5/16	7 3/8	5/8	19/64	11/16	4 13/16	9 13/16	23/32	12.27
	2 1/2	MFCL240N◆●□△												
215	2 11/16	MFCL243N◆●□△	6	2 25/32	6 7/16	2 23/64	7 3/4	3/4	9/32	3/4	5 1/4	10 1/4	23/32	13.75
216	2 15/16	MFCL247N◆●□△	6	3 7/64	6 3/4	2 25/32	7 3/4	3/4	21/64	13/16	5 47/64	10 1/4	11/16	15.25
	3	MFCL248N◆●□△												
218	3 3/16	MFCL251N◆●□△	6 3/4	2 31/32	7 3/4	2 19/32	8 7/16	3/4	3/8	15/16	5 47/64	11 1/4	11/16	21.10
	3 7/16	MFCL255N◆●□△												
	3 1/2	MFCL256N◆●□△												

Additional Notes

- Please call 1-866-REXNORD for availability
- Lubrication fitting tap size, 1/8 in PT
- Lip seals standard
- ◆ Available with E1 viton seals
- Available with free running style seals, add suffix ● FF, □ HFF or △ MHFF
- Available with narrow triple lip contact seals, add suffix ◆ N3
- Nickel plated housings available through all size codes, add suffix K75

For the Selection Guide, Load Ratings and Speed Limits, see the Link Belt 200 Series Medium Duty Ball Bearings Engineering section on pages 386 - 389.

Note: Dimensions subject to change. Certified dimensions of ordered material furnished on request.

MFS200N

Interchange: F4BSCM, FYM-TF, UCFX, MSF, YCJM

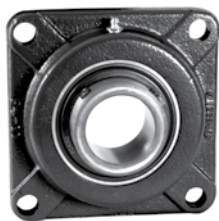
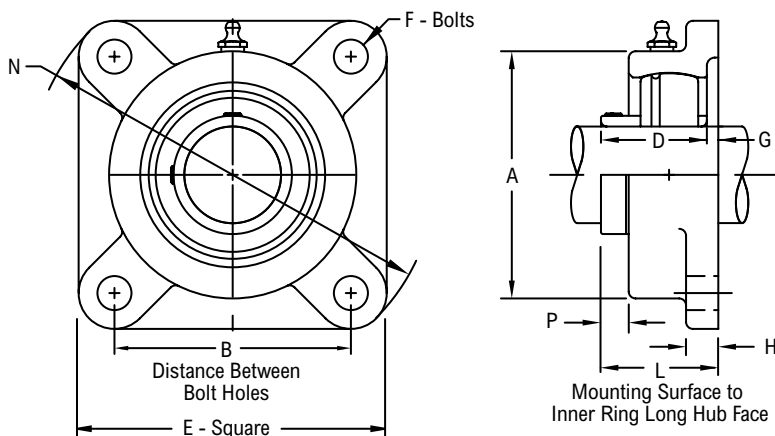


Photo Shows a 4-Bolt Ball Bearing Flanged Unit

Product Features

- Corrosion-resistant powder coating
- Cast iron housing
- Broad range of sealing options
- Spring locking setscrew mount
- Alignable & relubricatable
- See Features and Benefits for additional info on pages 382 - 383.



Bearing Dimensions

Size Code	Shaft Diameter	Part Number	B Distance Between Bolt Holes	L Mounting Surface to Inner Ring Long Hub Face	A	D	E	F Bolts	G	H	N	P	Approx. Weight
206	1	MFS216N◆□△	3 1/4	1 1/2	3 3/16	1 11/32	4 1/4	7/16	9/64	1/2	5 19/32	9/16	2.58
207	1 3/16	MFS219N◆◆□△	3 5/8	1 23/32	3 11/16	1 9/16	4 5/8	1/2	9/64	1/2	6 1/8	21/32	3.32
208	1 7/16	MFS223N◆□△	4	1 13/16	4 1/16	1 21/32	5 1/4	1/2	5/32	9/16	6 25/32	21/32	4.55
209	1 1/2	MFS224N◆◆□△	4 1/8	1 29/32	4 5/16	1 49/64	5 3/8	1/2	1/8	9/16	7 3/32	23/32	5.03
210	1 11/16	MFS227N◆◆□△	4 3/8	1 29/32	4 1/2	1 13/16	5 5/8	9/16	7/64	9/16	7 7/16	23/32	5.59
	1 3/4	MFS228N◆◆□△											
211	1 15/16	MFS231N◆◆□△	5 1/8	2	5 3/16	1 13/16	6 3/8	5/8	11/64	5/8	8 1/2	11/16	7.69
	2	MFS232N◆◆□△											
212	2 3/16	MFS235N◆◆□△	5 5/8	2 3/32	5 7/16	1 57/64	6 7/8	5/8	13/64	11/16	9 9/32	21/32	9.34
214	2 7/16	MFS239N◆◆□△	5 7/8	2 3/8	6 1/8	2 15/64	7 3/8	5/8	1/8	11/16	9 13/16	23/32	12.27
	2 1/2	MFS240N◆◆□△											
215	2 11/16	MFS243N◆◆□△	6	2 13/32	6 7/16	2 17/64	7 3/4	3/4	1/8	3/4	10 1/4	23/32	13.75
216	2 15/16	MFS247N◆◆□△	6	2 17/32	6 3/4	2 23/64	7 3/4	3/4	11/64	13/16	10 1/4	11/16	15.25
	3	MFS248N◆◆□△											
218	3 3/16	MFS251N◆◆□△	6 3/4	2 47/64	7 3/4	2 33/64	8 7/16	3/4	7/32	15/16	11 1/4	21/32	21.10
	3 7/16	MFS255N◆◆□△											
	3 1/2	MFS256N◆◆□△											

Additional Notes

- Please call 1-866-REXNORD for availability
- Lubrication fitting tap size, 1/8 in PT
- Lip seals standard
- ◆ Available with E1 viton seals for all sizes
- Available with free running style seals, add suffix ● FF, □ HFF or △ MHFF
- Available with narrow triple lip contact seals, add suffix ◆ N3

For the Selection Guide, Load Ratings and Speed Limits, see the Link Belt 200 Series Medium Duty Ball Bearings Engineering section on pages 386 - 389.

Note: Dimensions subject to change. Certified dimensions of ordered material furnished on request.

MFCCL200N

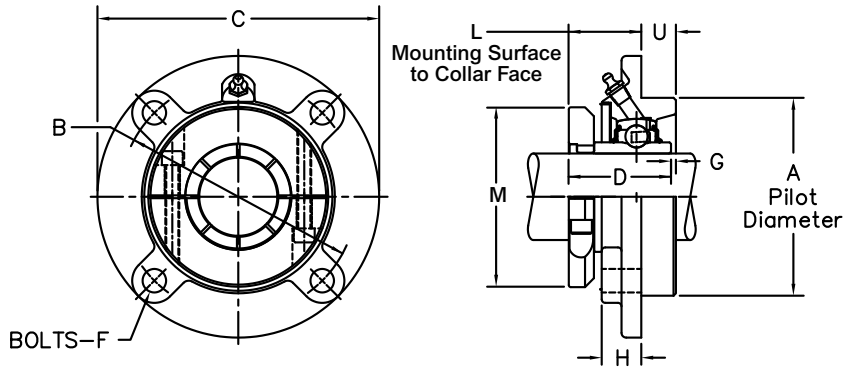
Interchange: FCDLM, MFC-T



Photo Shows a 4-Bolt Ball Bearing Flanged Cartridge Unit

Product Features

- Corrosion-resistant powder coating
- Cast iron housing
- Broad range of sealing options
- Centrik-Lok shaft locking device
- Alignable & relubricatable
- See Features and Benefits for additional info on pages 382 - 383.



Bearing Dimensions

Size Code	Shaft Diameter	Part Number	A Pilot Diameter	B Bolt Hole Circle Diameter	L Mounting Surface to Collar Face	C	D	F Bolts	G & G1	H	M Collar O.D.	U	Approx. Weight
207	1 3/16	MFCCL219N◆●□△	3.375	4 1/8	1 7/16	5	1 15/32	7/16	11/64	7/8	3 1/16	3/8	3.14
208	1 7/16	MFCCL223N◆●□△	3.625	4 3/8	1 37/64	5 1/4	1 25/32	7/16	5/32	7/8	3 3/16	7/16	3.69
209	1 1/2	MFCCL224N◆●□△	3.625	4 3/8	1 9/16	5 1/4	1 25/32	7/16	11/64	7/8	3 3/8	7/16	3.85
210	1 11/16	MFCCL227N◆●□△	4.250	5 1/8	1 21/32	6 1/8	1 51/64	1/2	11/64	7/8	3 3/4	15/32	5.72
	1 3/4	MFCCL228N◆●□△											
211	1 15/16	MFCCL231N◆●□△	4.500	5 3/8	1 39/64	6 3/8	1 57/64	1/2	15/64	7/8	4 3/32	5/8	5.96
	2	MFCCL232N◆●□△											
212	2 3/16	MFCCL235N◆●□△	5.000	6	1 15/16	7 1/8	2 5/32	9/16	37/64	1	4 9/32	1	8.52
	2 1/4	MFCCL236N◆●□△											
214	2 7/16	MFCCL239N◆●□△	5.500	6 1/2	1 15/16	7 5/8	2 5/16	9/16	1/4	1	4 13/16	1	10.27
	2 1/2	MFCCL240N◆●□△											
215	2 11/16	MFCCL243N◆●□△	6.375	7 1/2	1 15/16	8 3/4	2 23/64	5/8	1/4	1	5 1/4	1	14.07
216	2 15/16	MFCCL247N◆●□△	6.375	7 1/2	2 17/64	8 3/4	2 25/32	5/8	11/64	1 1/8	5 47/64	1	14.28
	3	MFCCL248N◆●□△											
218	3 3/16	MFCCL251N◆●□△	7.375	8 5/8	2 1/64	10 1/4	2 19/32	3/4	5/32	1 1/8	5 47/64	1 1/8	21.90
	3 7/16	MFCCL255N◆●□△											
	3 1/2	MFCCL256N◆●□△											

Additional Notes

- Please call 1-866-REXNORD for availability
- Lubrication fitting tap size, 1/8 in PT
- Pilot Diameter tolerance, +.000 in/-0.002 in (+0.00 mm/-0.05 mm)
- Bore tolerance for mounting, +.002 in/-0.000 in (+0.05 mm/-0.00 mm)
- For size codes 207 & 212, use the G dimension; for all other size codes use G1
- Lip seals standard
 - ◆ Available with E1 viton seals
 - Available with free running style seals, add suffix ● FF, □ HFF or △ MHFF

- Available with narrow triple lip contact seals, add suffix ▶ N3
- Nickel plated housings available through all size codes, add suffix K75
- For the Selection Guide, Load Ratings and Speed Limits, see the Link Belt 200 Series Medium Duty Ball Bearings Engineering section on pages 386 - 389.
- Note: Dimensions subject to change. Certified dimensions of ordered material furnished on request.

MFCS200N

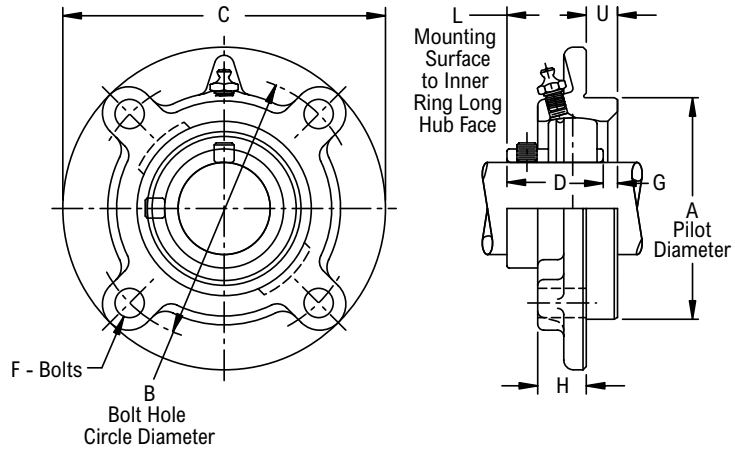
Interchange: FCSCM, MFC, RFC



Photo Shows a 4-Bolt Ball Bearing Flanged Cartridge Unit

Product Features

- Corrosion-resistant powder coating
- Cast iron housing
- Broad range of sealing options
- Spring locking setscrew mount
- Alignable & relubricatable
- See Features and Benefits for additional info on pages 382 - 383.



Bearing Dimensions

Size Code	Shaft Diameter	Part Number	A Pilot Diameter	B Bolt Hole Circle Diameter	L Mounting Surface to Inner Ring Long Hub Face	C	D	F Bolts	G	H	U	Approx. Weight
207	1 3/16	MFCS219◆●□△	3.375	4 1/8	1 33/64	5	1 9/16	7/16	17/64	7/8	3/8	3.14
208	1 7/16	MFCS223N◆●□△	3.625	4 3/8	1 17/32	5 1/4	1 21/32	7/16	1/4	7/8	7/16	3.69
209	1 1/2	MFCS224N◆●□△	3.625	4 3/8	1 37/64	5 1/4	1 49/64	7/16	3/16	7/8	7/16	3.85
210	1 11/16	MFCS227N◆●□△	4.250	5 1/8	1 19/32	6 1/8	1 13/16	1/2	13/64	7/8	15/32	5.72
	1 3/4	MFCS228N◆●□△										
211	1 15/16	MFCS231N◆●□△	4.500	5 3/8	1 35/64	6 3/8	1 13/16	1/2	19/64	7/8	5/8	5.96
	2	MFCS232N◆●□△										
212	2 3/16	MFCS235N◆●□△	5.000	6	1 11/64	7 1/8	1 57/64	9/16	37/64	1	1	8.52
	2 7/16	MFCS239N◆●□△										
214	2 1/2	MFCS240N◆●□△	5.500	6 1/2	1 23/32	7 5/8	2 15/64	9/16	27/64	1	1	10.27
	2 11/16	MFCS243N◆●□△										
215	2 11/16	MFCS243N◆●□△	6.375	7 1/2	1 23/32	8 3/4	2 17/64	5/8	25/64	1	1	14.07
	2 15/16	MFCS247N◆●□△										
216	3	MFCS248N◆●□△	6.375	7 1/2	1 11/16	8 3/4	2 23/64	5/8	21/64	1 1/8	1	13.92
	3 3/16	MFCS251N◆●□△										
218	3 7/16	MFCS255N◆●□△	7.375	8 5/8	1 51/64	10 1/4	2 33/64	3/4	25/64	1 1/8	1 1/8	21.50
	3 1/2	MFCS256N◆●□△										

Additional Notes

- Please call 1-866-REXNORD for availability
- Lubrication fitting tap size, 1/8 in PT
- Pilot Diameter tolerance, +.000 in/-.002 in (+0.00 mm/-0.05 mm)
- Bore tolerance for mounting, +.002 in/-.000 in (+0.05 mm/-0.00 mm)
- Lip seals standard
- ◆ Available with E1 viton seals for all sizes
- Available with free running style seals, add suffix ● FF, □ HFF or △ MHFF
- Available with narrow triple lip contact seals, add suffix ▶ N3

For the Selection Guide, Load Ratings and Speed Limits, see the Link Belt 200 Series Medium Duty Ball Bearings Engineering section on pages 386 - 389.
 Note: Dimensions subject to change. Certified dimensions of ordered material furnished on request.

MTHCL200N

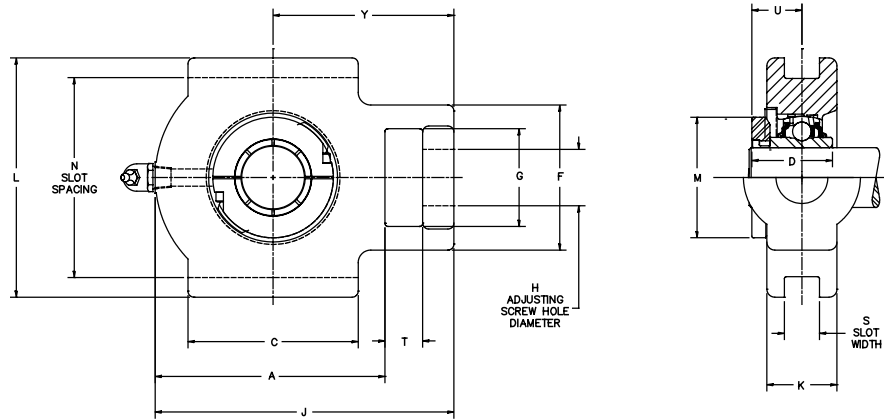
Interchange: WSTUDLM, MST-T



Photo Shows a Ball Bearing Take-up Unit

Product Features

- Corrosion-resistant powder coating
- Cast iron housing
- Wide slot design
- Broad range of sealing options
- Centrik-Lok shaft locking device
- Alignable & relubricatable
- See Features and Benefits for additional info on pages 382 - 383.



Bearing Dimensions

Size Code	Shaft Diameter	Part Number	H Adjusting Screw Hole Diameter	N Slot Spacing	S Slot Width	A	C	D	F	G	J	K	L	M Collar O.D.	T	U	Y	Approx. Weight
206	1	MTHCL216N◆●□△	7/8	3.500	0.531	3 3/8	2 1/4	1 5/16	2 3/16	1 7/16	4 1/2	1 9/16	4 1/8	2 19/32	1 11/16	2 9/32	2 3/4	2.88
207	1 3/16	MTHCL219N◆●□△	7/8	3.500	0.531	4	2 1/2	1 31/64	2 3/8	1 7/16	5	1 9/16	4 1/8	3 1/16	1 11/16	1 1/32	3 1/16	3.20
208	1 7/16	MTHCL223N◆●□△	1 1/8	3.969	0.688	4 3/16	3 1/4	1 45/64	3 1/4	1 15/16	5 5/8	2 1/16	4 3/4	3 3/16	7/8	1 7/32	3 1/2	5.29
209	1 1/2	MTHCL224N◆●□△	1 1/8	3.969	0.688	4 3/16	3 1/4	1 45/64	3 1/4	1 15/16	5 5/8	2 1/16	4 3/4	3 3/8	7/8	1 7/32	3 7/16	4.96
210	1 11/16	MTHCL227N◆●□△	1 1/8	3.969	0.688	4 7/16	3 1/4	1 51/64	3 1/4	1 15/16	5 7/8	2 1/16	4 3/4	3 3/4	7/8	1 5/16	3 9/16	5.21
	1 3/4	MTHCL228N◆●□△																
211	1 15/16	MTHCL231N◆●□△	1 3/8	5.094	1.062	4 7/8	3 3/4	1 57/64	4	2 1/2	6 13/16	2 1/2	5 7/8	4 3/32	1 3/16	1 11/32	4 3/16	8.87
	2	MTHCL232N◆●□△																
212	2 3/16	MTHCL235N◆●□△	1 3/8	5.094	1.062	5 5/8	4	2 5/32	4	2 1/2	7 9/16	2 1/2	5 7/8	4 9/32	1 3/16	1 19/32	4 11/16	8.79
214	2 7/16	MTHCL239N◆●□△	1 5/8	5.906	1.062	6 19/32	4 3/4	2 5/16	4 3/8	2 3/4	8 11/16	2 3/4	6 11/16	4 13/16	1 5/16	1 21/32	5 3/8	15.09
	2 1/2	MTHCL240N◆●□△																
215	2 11/16	MTHCL243N◆●□△	1 5/8	5.906	1.062	6 27/32	4 3/4	2 23/64	4 3/8	2 3/4	8 15/16	2 3/4	6 11/16	5 1/4	1 5/16	1 7/16	5 1/2	14.87
216	2 15/16	MTHCL247N◆●□△	1 5/8	6.500	1.062	7 3/16	4 3/4	2 25/32	4 3/8	2 3/4	9 1/4	3 3/8	7 1/4	5 47/64	1 1/4	2 5/64	5 1/2	21.00
	3	MTHCL248N◆●□△																

Additional Notes

- Please call 1-866-REXNORD for availability
- Lubrication fitting tap size, 1/8 in PT
- Lip seals standard
- ◆ Available with E1 viton seals
- Available with free running style seals, add suffix ● FF, □ HFF or △ MHFF
- Available with narrow triple lip contact seals, add suffix ▶ N3
- Nickel plated housings available through all size codes, add suffix K75

For the Selection Guide, Load Ratings and Speed Limits, see the Link Belt 200 Series Medium Duty Ball Bearings Engineering section on pages 386 - 389.
 Note: Dimensions subject to change. Certified dimensions of ordered material furnished on request.

MTHS200N

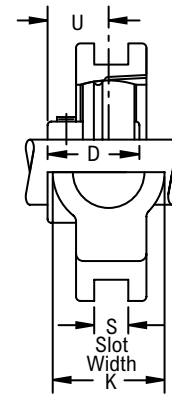
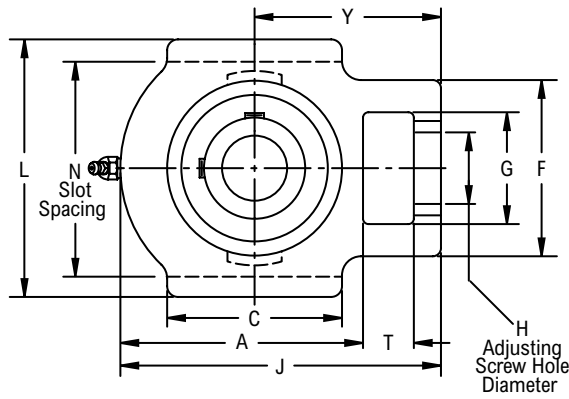
Interchange: WSTUSCM, TUM-TF, MST



Photo Shows a Ball Bearing Take-up Unit

Product Features

- Corrosion-resistant powder coating
- Cast iron housing
- Wide slot design
- Broad range of sealing options
- Spring locking setscrew mount
- Alignable & relubricatable
- See Features and Benefits for additional info on pages 382 - 383.



Bearing Dimensions

Size Code	Shaft Diameter	Part Number	H Adjusting Screw Hole Diameter	N Slot Spacing	S Slot Width	A	C	D	F	G	J	K	L	T	U	Y	Approx. Weight
206	1	MTHS216N◆●□△▶	7/8	3.500	0.531	3 3/8	2 1/4	1 11/32	2 3/16	1 7/16	4 1/2	1 9/16	4 1/8	11/16	61/64	2 3/4	2.88
207	1 3/16	MTHS219N◆●□△▶	7/8	3.500	0.531	4	2 1/2	1 9/16	2 3/8	1 7/16	5	1 9/16	4 1/8	11/16	1 7/64	3 1/16	3.20
208	1 7/16	MTHS223N◆●□△▶	1 1/8	3.969	0.688	4 3/16	3 1/4	1 21/32	3 1/4	1 15/16	5 5/8	2 1/16	4 3/4	7/8	1 11/64	3 1/2	5.29
209	1 1/2	MTHS224N◆●□△▶	1 1/8	3.969	0.688	4 3/16	3 1/4	1 49/64	3 1/4	1 15/16	5 5/8	2 1/16	4 3/4	7/8	1 15/64	3 7/16	4.96
210	1 11/16	MTHS227N◆●□△▶	1 1/8	3.969	0.688	4 7/16	3 1/4	1 13/16	3 1/4	1 15/16	5 7/8	2 1/16	4 3/4	7/8	1 17/64	3 9/16	5.21
	1 3/4	MTHS228N◆●□△▶															
211	1 15/16	MTHS231N◆●□△▶	1 3/8	5.094	1.062	4 7/8	3 3/4	1 13/16	4	2 1/2	6 13/16	2 1/2	5 7/8	1 3/16	1 9/32	4 3/16	8.87
	2	MTHS232N◆●□△▶															
212	2 3/16	MTHS235N◆●□△▶	1 3/8	5.094	1.062	5 5/8	4	1 57/64	4	2 1/2	7 9/16	2 1/2	5 7/8	1 3/16	1 5/16	4 11/16	8.79
	2 1/4	MTHS236N◆●□△▶															
214	2 7/16	MTHS239N◆●□△▶	1 5/8	5.906	1.062	6 19/32	4 3/4	2 15/64	4 3/8	2 3/4	8 11/16	2 3/4	6 11/16	1 5/16	1 7/16	5 3/8	15.09
	2 1/2	MTHS240N◆●□△▶															
215	2 11/16	MTHS243N◆●□△▶	1 5/8	5.906	1.062	6 27/32	4 3/4	2 17/64	4 3/8	2 3/4	8 15/16	2 3/4	6 11/16	1 5/16	1 15/32	5 1/2	14.87
216	2 15/16	MTHS247N◆●□△▶	1 5/8	6.500	1.062	7 3/16	4 3/4	2 17/64	4 3/8	2 3/4	9 1/4	3 3/8	7 1/4	1 1/4	1 31/64	5 1/2	21.00
	3	MTHS248N◆●□△▶															

Additional Notes

Please call 1-866-REXNORD for availability
 Lubrication fitting tap size, 1/8 in PT
 Lip seals standard

- ◆ Available with E1 viton seals for all sizes
- Available with free running style seals, add suffix ● FF, □ HFF or △ MHFF
- Available with narrow triple lip contact seals, add suffix ▶ N3

For the Selection Guide, Load Ratings and Speed Limits, see the Link Belt 200 Series Medium Duty Ball Bearings Engineering section on pages 386 - 389.

Note: Dimensions subject to change. Certified dimensions of ordered material furnished on request.

MCHBS200

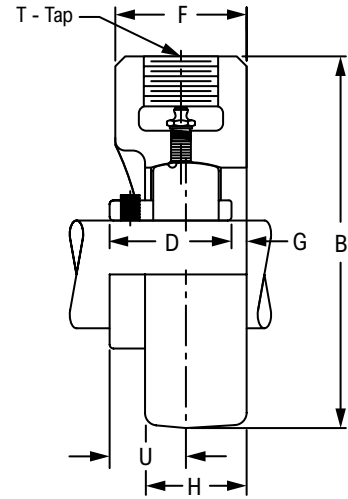
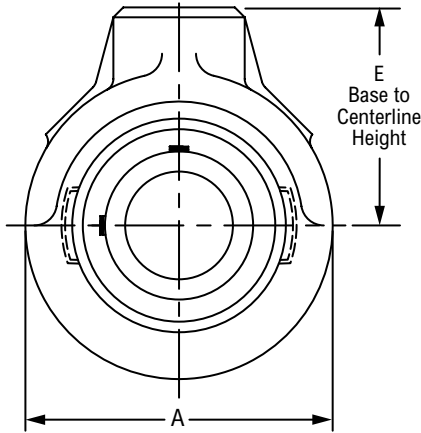
Interchange: SCHB, UCHA200



Photo Shows a Screw Conveyor Hanger Ball Bearing Unit

Product Features

- Corrosion-resistant powder coating
- Cast iron housing
- Broad range of sealing options
- Spring locking setscrew mount
- Alignable & relubricatable
- See Features and Benefits for additional info on pages 382 - 383.



Bearing Dimensions

Size Code	Shaft Diameter	Part Number	E Base to Centerline Height	T		A	B	D	F	G	H	U	Approx. Weight
				Depth	Tap								
206	1	MCHBS216N◆●□△▶	2 1/2	5/8	3/4-14	3 3/8	4 3/16	1 11/32	1 21/32	7/16	1 7/32	61/64	2.34
207	1 3/16	MCHBS219N◆●□△▶	2 3/4	5/8	3/4-14	3 7/8	4 11/16	1 9/16	1 21/32	3/8	1 9/32	1 7/64	3.35
208	1 7/16	MCHBS223N◆●□△▶	2 7/8	5/8	3/4-14	4	4 7/8	1 21/32	1 21/32	11/32	1 11/32	1 11/64	3.44
210	1 11/16	MCHBS227N◆●□△▶	3 1/4	13/16	1-11 1/2	4 5/8	5 9/16	1 13/16	1 7/8	13/32	1 13/32	1 17/64	5.06
	1 3/4	MCHBS228N◆●□△▶											4.98
212	2 3/16	MCHBS235N◆●□△▶	4	1 1/8	1 1/4-11 1/2	5 5/8	6 13/16	1 57/64	2 5/16	37/64	1 5/8	1 5/16	8.44
215	2 11/16	MCHBS243N◆●□△▶	4 5/8	1 1/4	1 1/2-11 1/2	6 1/2	7 7/8	2 17/64	2 3/4	37/64	1 31/32	1 15/32	12.27
216	2 15/16	MCHBS247N◆●□△▶	4 7/8	1 1/4	1 1/2-11 1/2	7	8 3/8	2 23/64	2 13/16	35/64	2 1/16	1 1/2	16.00
	3	MCHBS248N◆●□△▶											15.82
218	3 3/16	MCHBS251N◆●□△▶	6	1 3/4	2-11 1/2	8 5/16	10 5/32	2 33/64	3 1/2	25/32	2 1/8	1 9/16	25.66
	3 7/16	MCHBS255N◆●□△▶											24.77
	3 1/2	MCHBS256N◆●□△▶											24.58

Additional Notes

Please call 1-866-REXNORD for availability
Lubrication fitting tap size, 1/8 in PT
Lip seals standard

- ◆ Available with E1 viton seals for all sizes
- Available with free running style seals, add suffix ● FF, □ HFF or △ MHFF
- Available with narrow triple lip contact seals, add suffix ▶ N3

For the Selection Guide, Load Ratings and Speed Limits, see the Link Belt 200 Series Medium Duty Ball Bearings Engineering section on pages 386 - 389.

Note: Dimensions subject to change. Certified dimensions of ordered material furnished on request.

MEHBS200

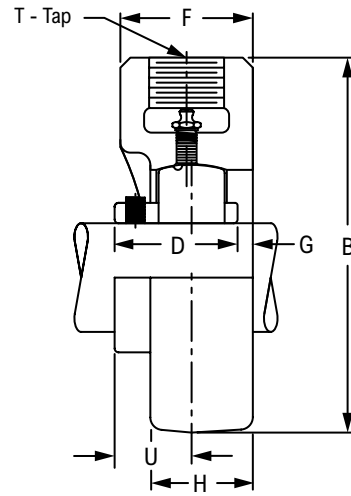
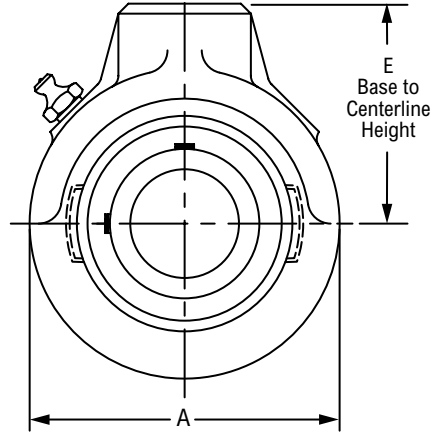
Interchange: SEHB



Photo Shows a Screw Conveyor Hanger Ball Bearing Unit

Product Features

- Corrosion-resistant powder coating
- Cast iron housing
- Broad range of sealing options
- Spring locking setscrew mount
- Alignable & relubricatable
- See Features and Benefits for additional info on pages 382 - 383.



Bearing Dimensions

Size Code	Shaft Diameter	Part Number	E Base to Centerline Height	T		A	B	D	F	G	H	U	Approx. Weight
				Depth	Tap								
206	1	MEHBS216N◆●□△	2 1/2	5/8	3/4-14	3 3/8	4 3/16	1 11/32	1 21/32	7/16	1 7/32	61/64	2.34
207	1 3/16	MEHBS219N◆●□△	2 3/4	5/8	3/4-14	3 7/8	4 11/16	1 9/16	1 21/32	3/8	1 9/32	1 7/64	3.35
208	1 7/16	MEHBS223N◆●□△	2 7/8	5/8	3/4-14	4	4 7/8	1 21/32	1 21/32	11/32	1 11/32	1 11/64	3.44
210	1 11/16	MEHBS227N◆●□△	3 1/4	13/16	1-11 1/2	4 5/8	5 9/16	1 13/16	1 7/8	13/32	1 13/32	1 17/64	5.06
	1 3/4	MEHBS228N◆●□△											4.98
212	2 3/16	MEHBS235N◆●□△	4	1 1/8	1 1/4-11 1/2	5 5/8	6 13/16	1 57/64	2 5/16	37/64	1 5/8	1 5/16	8.44
215	2 11/16	MEHBS243N◆●□△	4 5/8	1 1/4	1 1/2-11 1/2	6 1/2	7 7/8	2 17/64	2 3/4	37/64	1 31/32	1 15/32	12.27
216	2 15/16	MEHBS247N◆●□△	4 7/8	1 1/4	1 1/2-11 1/2	7	8 3/8	2 23/64	2 13/16	35/64	2 1/16	1 1/2	16.00
	3	MEHBS248N◆●□△											15.82
218	3 3/16	MEHBS251N◆●□△	6	1 3/4	2-11 1/2	8 5/16	10 5/32	2 33/64	3 1/2	25/32	2 1/8	1 9/16	25.66
	3 7/16	MEHBS255N◆●□△											24.77
	3 1/2	MEHBS256N◆●□△											24.58

Additional Notes

Please call 1-866-REXNORD for availability
 Lubrication fitting tap size, 1/8 in PT
 Lip seals standard

- ◆ Available with E1 viton seals for all sizes
- Available with free running style seals, add suffix ● FF, □ HFF or △ MHFF
- Available with narrow triple lip contact seals, add suffix ▶ N3

For the Selection Guide, Load Ratings and Speed Limits, see the Link Belt 200 Series Medium Duty Ball Bearings Engineering section on pages 386 - 389.

Note: Dimensions subject to change. Certified dimensions of ordered material furnished on request.

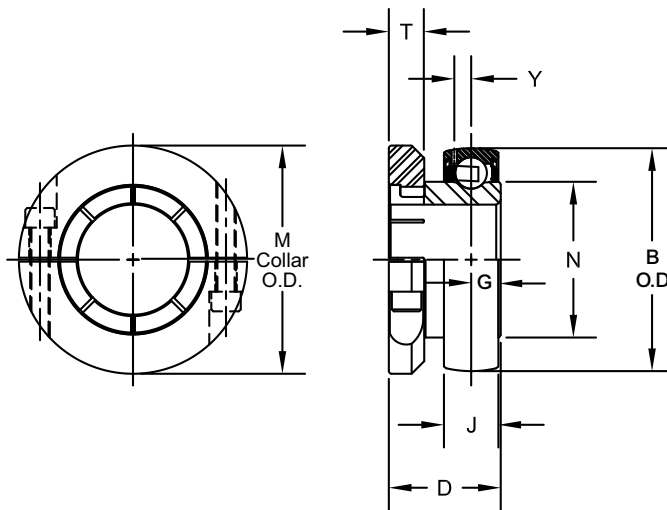
MCLG200NLPA



Photo Shows an Unmounted Ball Bearing Unit

Product Features

- Broad range of sealing options
- Centrik-Lok shaft locking device
- Sealed & relubricatable
- Spherical O.D.
- See Features and Benefits for additional info on pages 382 - 383.



Bearing Dimensions

Size Code	Shaft Diameter	Part Number	B O.D.	J Outer Ring Width	D	G	M Collar O.D.	N	T		Y	Approx. Weight
									Width	Tap		
206	1	MCLG216NLPA◆●□△▶	2.4409	0.7087	1 5/16	0.3970	2 19/32	1.587	23/64	#10-32	0.202	0.92
207	1 3/16	MCLG219NLPA◆●□△▶	2.8346	0.7480	1 15/32	0.4420	3 1/16	1.847	7/16	1/4-28	0.227	1.30
208	1 7/16	MCLG223NLPA◆●□△▶	3.1496	0.8661	1 25/32	0.4740	3 3/16	2.083	7/16	1/4-28	0.263	1.61
209	1 1/2	MCLG224NLPA◆●□△▶	3.3465	0.8661	1 25/32	0.4770	3 3/8	2.281	7/16	1/4-28	0.256	1.93
210	1 11/16	MCLG227NLPA◆●□△▶	3.5433	0.8661	1 51/64	0.4860	3 3/4	2.475	9/16	5/16-24	0.256	2.29
	1 3/4	MCLG228NLPA◆●□△▶										
211	1 15/16	MCLG231NLPA◆●□△▶	3.9370	0.9843	1 57/64	0.5410	4 3/32	2.749	9/16	5/16-24	0.298	2.58
	2	MCLG232NLPA◆●□△▶										
212	2 3/16	MCLG235NLPA◆●□△▶	4.3307	1.0630	2 5/32	0.5820	4 9/32	3.012	9/16	5/16-24	0.330	3.44
	2 1/4	MCLG236NLPA◆●□△▶										
214	2 7/16	MCLG239NLPA◆●□△▶	4.9213	1.1545	2 5/16	0.6440	4 13/16	3.433	3/4	3/8-24	0.266	4.67
	2 1/2	MCLG240NLPA◆●□△▶										
215	2 11/16	MCLG243NLPA◆●□△▶	5.1181	1.1835	2 23/64	0.6590	5 1/4	3.632	3/4	3/8-24	0.266	4.78
216	2 15/16	MCLG247NLPA◆●□△▶	5.5118	1.2575	2 25/32	0.6960	5 47/64	3.920	3/4	3/8-24	0.282	5.80
	3	MCLG248NLPA◆●□△▶										
218	3 3/16	MCLG251NLPA◆●□△▶	6.2992	1.3945	2 19/32	0.8040	5 47/64	4.396	3/4	3/8-24	0.313	8.71
	3 7/16	MCLG255NLPA◆●□△▶										8.25
	3 1/2	MCLG256NLPA◆●□△▶										7.63

Additional Notes

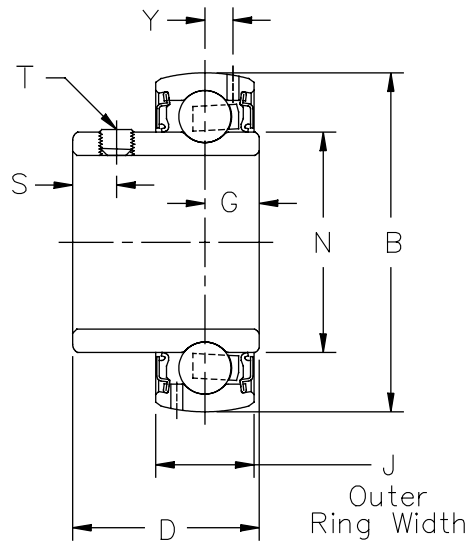
- Please call 1-866-REXNORD for availability
- Bearing O.D. tolerance for size code 206 thru 208, +.0000 in/-.0005 in (+0.000 mm/-0.013 mm); for size code 209 thru 215, +.0000 in/-.0006 in (+0.000 mm/-0.015 mm); for all other size codes, +.0000 in/-.0008 in (+0.000 mm/-0.020 mm)
- Lip seals standard
- ◆ Available with E1 viton seals
- Available with free running style seals, add suffix ● FF, □ HFF or △ MHFF
- Available with narrow triple lip contact seals, add suffix ▶ N3

For the Selection Guide, Load Ratings and Speed Limits, see the Link Belt 200 Series Medium Duty Ball Bearings Engineering section on pages 386 - 389.
 Note: Dimensions subject to change. Certified dimensions of ordered material furnished on request.

MSG200NLPA



Photo Shows an Unmounted Ball Bearing Unit



Product Features

- Broad range of sealing options
- Spring locking setscrew mount
- Sealed & relubricatable
- Spherical O.D.
- See Features and Benefits for additional info on pages 382 - 383.

Bearing Dimensions

Size Code	Shaft Diameter	Part Number	B O.D.	J Outer Ring Width	D	G	N	S	T	Y	Approx. Weight
206	1	MSG216NLPA◆●□△	2.4409	0.7087	1 11/32	0.3920	1.587	0.31	1/4-28	0.202	0.72
207	1 3/16	MSG219NLPA◆●□△	2.8346	0.7480	1 9/16	0.4540	1.847	0.34	5/16-24	0.227	1.03
208	1 7/16	MSG223NLPA◆●□△	3.1496	0.8661	1 21/32	0.4850	2.083	0.34	5/16-24	0.263	1.32
209	1 1/2	MSG224NLPA◆●□△	3.3465	0.8661	1 49/64	0.5320	2.281	0.36	5/16-24	0.256	1.62
210	1 11/16	MSG227NLPA◆●□△	3.5433	0.8661	1 13/16	0.5320	2.475	0.38	3/8-24	0.256	1.82
	1 3/4	MSG228NLPA◆●□△									1.74
211	1 15/16	MSG231NLPA◆●□△	3.9370	0.9843	1 13/16	0.5370	2.749	0.38	3/8-24	0.298	2.36
	2	MSG232NLPA◆●□△									
212	2 3/16	MSG235NLPA◆●□△	4.3307	1.0630	1 57/64	0.5780	3.012	0.38	3/8-24	0.330	2.97
	2 1/4	MSG236NLPA◆●□△									
214	2 7/16	MSG239NLPA◆●□△	4.9213	1.1545	2 15/64	0.8040	3.433	0.37	3/8-24	0.266	4.39
	2 1/2	MSG240NLPA◆●□△									4.25
215	2 11/16	MSG243NLPA◆●□△	5.1181	1.1835	2 17/64	0.8040	3.632	0.37	3/8-24	0.266	4.49
216	2 15/16	MSG247NLPA◆●□△	5.5118	1.2575	2 23/64	0.8630	3.920	0.37	3/8-24	0.282	5.53
	3	MSG248NLPA◆●□△									5.40
218	3 3/16	MSG251NLPA◆●□△	6.2992	1.3945	2 33/64	0.9620	4.396	0.37	3/8-24	0.313	8.23
	3 7/16	MSG255NLPA◆●□△									7.34
	3 1/2	MSG256NLPA◆●□△									7.15

Additional Notes

Please call 1-866-REXNORD for availability
 Bearing O.D. tolerance for size code 206 thru 208, +.0000 in/-.0005 in (+0.000 mm/-0.013 mm); for size code 209 thru 215, +.0000 in/-.0006 in (+0.000 mm/-0.015 mm); for all other size codes, +.0000 in/-.0008 in (+0.000 mm/-0.020 mm)

Lip seals standard

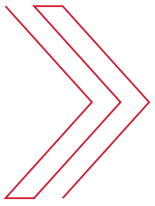
◆ Available with E1 viton seals for all sizes

Available with free running style seals, add suffix ● FF, □ HFF or △ MHFF

Available with narrow triple lip contact seals, add suffix ▶ N3

For the Selection Guide, Load Ratings and Speed Limits, see the Link Belt 200 Series Medium Duty Ball Bearings Engineering section on pages 386 - 389.

Note: Dimensions subject to change. Certified dimensions of ordered material furnished on request.



BALL BEARINGS

Heavy Duty (300 Series)

Units: Link-Belt

CONTENTS	PAGE
Features and Benefits	406
Nomenclature	407
Engineering	408
Dimensions	
Pillow Blocks	413
Flange Blocks	418
Cartridge Blocks	424
Take-up Blocks	427
Take-up Frames	429
Unmounted Replacement Bearings	430
SHURLOK Installation Tools	434

INDUSTRIES SERVED

- Aggregates
- Air Handling
- Forestry
- Mining
- Steel
- Package Handling



300 Series Heavy Duty Ball Bearing Units

300 Series wide inner ring ball bearing units are designed for heavy duty applications requiring high capacity and/or high speed in a compact footprint. Manufactured from quality alloy bearing steel to precision tolerances, these bearings are used extensively on general industrial equipment, high speed fans and blowers and heavier duty power transmission and material handling equipment.

Super-finished Raceways

- Provides a cool running, quiet, high-speed and high-load capacity bearing

Seal Choice

- Choice of steel-clad molded type H clearance seal or type N double lip seal.

Wide Inner Ring

- Wide inner ring is for greater contact surface between shaft and bearing.

Prelubricated and Relubricatable

Rugged One-piece Housing

Positive Locking System

- Minimizes vibration; does not require mounting inspections

Case Carburized Inner Ring

- Resists fracture under shock and heavy loads

Tapered Adapter Assembly

- Allows for use of commercial-grade shafting
- Shaft grip reduces shaft damage caused by loose mountings
- Easy removal of the bearing from the shaft – saves on maintenance time and damaged shafts
- Accommodates the use of inexpensive commercial grade shafting

Heavy Duty Ball Bearings

Heavy series precision alignable ball bearings of deep groove construction with larger balls and thicker rings for high capacity and longer life. The extra inner ring width furnishes ultimate shaft and load support and concentricity for high speed precision application.

The spring locking collar design provides a secure grip of the wide inner ring bearing to the shaft. The two setscrews extend through the inner ring of the bearing and lock firmly into the shaft. Tightening the two setscrews produces elastic strain in the spring locking collar resulting in a continuous pressure on the shaft.

The eccentric cam locking collar design provides a secure grip of the wide inner ring bearing to the shaft and further tightens with bearing rotation. The adapter mount design provides better concentricity and shaft control, increasing service life. The adapter mount allows for easy installation/removal and enables the use of commercial grade shafting.

Furnished with anti-rotation pin in the outer ring to prevent the outer ring from spinning in the bearing housing.

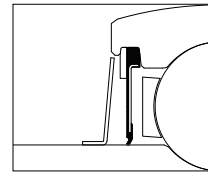
One-piece Cast Iron Housings

Compact, one-piece cast iron housings provide strength with minimum size and weight, and excellent rigidity. All housings are designed with standard mounting dimensions and have finished mounting surfaces for proper installation stability. Pillow blocks have slotted bolt holes with ample space provided for drilling dowel pin holes and are also available with high backing dimensions. Flanged and flanged cartridge units have drilled mounting holes. Take-up units have machined slots for accurate adjustment.

Bearing Mounted Molded Rubber Seal

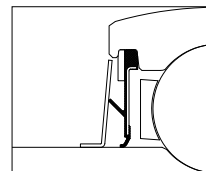
Type H Seal

These molded rubber seals effectively retain lubricant and protect against contamination. An external seal guard enhances protection against contamination and protects the molded rubber seal. A snap ring locates and retains the molded rubber seal in the outer ring to ensure proper operation. This is an excellent non-contact seal for grease lubrication.



Type N Seal

These molded rubber double lip seals have two full land riding lips that effectively retain lubricant and protect against contamination. These seals ride on a precision ground surface of the bearing inner ring for smooth operation and tightness.



300 Series Nomenclature

Symbol	Description	P	E	-U	3	K	27	J	N	C	17H	4
C	Cartridge unit											
F	Flanged unit, 4-bolt square											
FC	Flanged cartridge unit, 4-bolt round											
P	Pillow block, standard backing											
PL	Pillow block, low backing											
P2	Pillow block, high backing											
T	Take-up, slotted guides											
E	Expansion unit											
A	Bearing sealed unit, SHURLOK adapter, relubricatable											
U	Bearing sealed unit, spring locking, relubricatable											
Y	Bearing sealed unit, eccentric cam locking collar, relubricatable											
3	300 Series ball bearing designation											
K	Adapter mounted											
27	Shaft size in sixteenths of an inch											
J	Steel retainers											
None	Steel clad clearance seal											
N	Molded double lip seals											
C	Closed end unit											
17H	Grease designation											
4	Clearance, other than standard											

Replacement Ball Bearing Nomenclature

		UG	3	K	47	N	L
AG	Wide inner ring, bearing seals, SHURLOK adapter						
UG	Wide inner ring, bearing seals, spring locking collar						
YG	Wide inner ring, bearing seals, eccentric cam locking collar						
3	300 Series ball bearing designation						
K	Adapter mounted						
47	Shaft size in sixteenths of an inch						
None	Steel clad clearance seal						
N	Molded double lip seals						
L1	Bearing without collar						
L	Bearing with collar & setscrews						

300 Series Ball Bearings Selection Guide

To select a bearing, determine the applied radial load, the applied thrust load, the desired Rating Life, and applicable operating conditions. The procedure shown here will aid in selecting a bearing to meet an L_{10} design life. The formulas for calculating life expectancy should be used to determine the Rating Life L_{10} for the bearing selected.

The selection procedures and rating formulas shown here are in agreement with The American Bearing Manufacturers Association Standards and ANSI/ABMA STD 9-1990. Ratings are based on fatigue life. The Rating Life L_{10} or fatigue life at 90% reliability is the usual basis for bearing selection. To assure a satisfactory bearing application, fitting practice, mounting, lubrication, sealing, static rating, housing strength, operating conditions and maintenance must be considered.

Steps for Selection

Step 1

Determine an appropriate L_{10} design life.

Type of service	Operating time, hours per year	Design life, years	L_{10} design life, hours
Light seasonal usage	500 to 750	3-5	3,000
Heavy seasonal usage	1,400 to 1,600	4-6	8,000
Industrial—8 hour shift	2,000	10	20,000
Industrial—16 hour shift	4,000	10	40,000
Industrial—Continuous	8,700	10	80,000 to 100,000

Step 2

Determine a required $\left(\frac{C}{P}\right)$ from Table 1.

Step 3

Calculate the required C and select a ball bearing.

a For radial load only:

$$P = F_r$$

$$\text{required } C = \left(\frac{C}{P}\right) P \text{ using } \left(\frac{C}{P}\right) \text{ from Step 2}$$

Select a ball bearing from Table 3 with a basic load rating C equal to or greater than the required C.

b For combined radial and thrust loads when $\frac{F_a}{F_r}$ is 0.19 or less:

$$P = F_r$$

$$\text{required } C = \left(\frac{C}{P}\right) P \text{ using } \left(\frac{C}{P}\right) \text{ from Step 2}$$

Select a ball bearing from Table 3 with a basic load rating C equal to or greater than the required C.

Step 3 (continued)

c For combined radial and thrust loads when $\frac{F_a}{F_r}$ is greater than 0.19, use the following trial method:

$$\text{Maximum } P = .56F_r + 2.30F_a$$

$$\text{Maximum required } C = \left(\frac{C}{P}\right) P \text{ using } \left(\frac{C}{P}\right) \text{ from Step 2}$$

Select a trial ball bearing with a basic load rating C from Table 3 approximately equal to the maximum required C.

With this trial bearing calculate: $\frac{F_a}{Nd^2}$

Determine X and Y from Table 2.

Calculate P for the trial bearing.

$$P = XF_r + YF_a$$

$$\text{required } C = \left(\frac{C}{P}\right) P \text{ for the trial bearing using } \left(\frac{C}{P}\right) \text{ from Step 2}$$

Consult Table 3, basic load rating. If a smaller bearing meets or nearly meets the required C, its life expectancy can be calculated.

Note: If the load P is greater than .25C, consult Rexnord Bearing Products.

Selection

Symbols for formulas:

C = basic load rating, pounds (or newtons)
 C₀ = static load rating, pounds (or newtons)
 e = a reference value
 F_a = thrust load, pounds (or newtons)
 F_r = radial load, pounds (or newtons)
 L₁₀ = rating life, hours

n = speed, revolutions per minute
 P = equivalent radial load, pounds (or newtons)
 X = radial factor
 Y = thrust factor

Table 1 • Relation of L₁₀ life and speed to $\left(\frac{C}{P}\right)$

Bearing life, hours L ₁₀	$\left(\frac{C}{P}\right)$ ratio									
	Speed, n									
	50	100	200	300	400	500	600	700	800	
3000	2.08	2.62	3.30	3.77	4.15	4.47	4.75	5.01	5.23	
4000	2.29	2.88	3.63	4.15	4.57	4.92	5.23	5.51	5.76	
5000	2.46	3.10	3.91	4.47	4.92	5.30	5.64	5.93	6.20	
6000	2.62	3.30	4.15	4.75	5.23	5.64	5.99	6.30	6.59	
8000	2.88	3.63	4.57	5.23	5.76	6.20	6.59	6.94	7.25	
10000	3.10	3.91	4.92	5.64	6.20	6.68	7.10	7.47	7.81	
12000	3.30	4.15	5.23	5.99	6.59	7.10	7.54	7.94	8.30	
14000	3.47	4.37	5.51	6.30	6.94	7.47	7.94	8.36	8.74	
16000	3.63	4.57	5.76	6.59	7.25	7.81	8.30	8.74	9.14	
18000	3.77	4.75	5.99	6.86	7.54	8.13	8.63	9.09	9.50	
20000	3.91	4.92	6.20	7.10	7.81	8.42	8.94	9.41	9.84	
25000	4.21	5.30	6.68	7.65	8.42	9.07	9.63	10.1	10.6	
30000	4.47	5.64	7.10	8.13	8.94	9.63	10.2	10.8	11.3	
35000	4.71	5.93	7.47	8.55	9.41	10.1	10.8	11.3	11.9	
40000	4.92	6.20	7.81	8.94	9.84	10.6	11.3	11.9	12.4	
45000	5.12	6.45	8.13	9.30	10.2	11.0	11.7	12.3	12.9	
50000	5.30	6.68	8.42	9.63	10.6	11.4	12.1	12.8	13.4	
60000	5.64	7.10	8.94	10.2	11.3	12.1	12.9	13.6	14.2	
70000	5.93	7.47	9.41	10.8	11.9	12.8	13.6	14.3	14.9	
80000	6.20	7.81	9.84	11.3	12.4	13.4	14.2	14.9	15.6	
90000	6.45	8.13	10.2	11.7	12.9	13.9	14.8	15.5	16.2	
100000	6.68	8.42	10.6	12.1	13.4	14.4	15.3	16.1	16.8	
150000	7.65	9.63	12.1	13.9	15.3	16.5	17.5	18.4	19.3	
200000	8.42	10.6	13.4	15.3	16.8	18.1	19.3	20.3	21.2	

	Speed, n									
	900	1000	1200	1500	1800	2400	3600	6000	10000	
3000	5.44	5.64	5.99	6.45	6.86	7.54	8.63	10.2	12.1	
4000	5.99	6.20	6.59	7.10	7.54	8.30	9.50	11.3	13.4	
5000	6.45	6.68	7.10	7.65	8.13	8.94	10.2	12.1	14.4	
6000	6.86	7.10	7.54	8.13	8.63	9.50	10.9	12.9	15.3	
8000	7.54	7.81	8.30	8.94	9.50	10.5	12.0	14.2	16.8	
10000	8.13	8.42	8.94	9.63	10.2	11.3	12.9	15.3	18.1	
12000	8.63	8.94	9.50	10.2	10.9	12.0	13.7	16.2	19.3	
14000	9.09	9.41	10.0	10.8	11.4	12.6	14.4	17.1	20.3	
16000	9.50	9.84	10.5	11.3	12.0	13.2	15.1	17.9	21.2	
18000	9.88	10.2	10.9	11.7	12.4	13.7	15.7	18.6	22.0	
20000	10.2	10.6	11.3	12.1	12.9	14.2	16.2	19.3	22.8	
25000	11.0	11.4	12.1	13.1	13.9	15.3	17.5	20.7	24.6	
30000	11.7	12.1	12.9	13.9	14.8	16.2	18.6	22.0	26.1	
35000	12.3	12.8	13.6	14.6	15.5	17.1	19.6	23.2	27.5	
40000	12.9	13.4	14.2	15.3	16.2	17.9	20.5	24.3	28.7	
45000	13.4	13.9	14.8	15.9	16.9	18.6	21.3	25.2	29.9	
50000	13.9	14.4	15.3	16.5	17.5	19.3	22.0	26.1	31.0	
60000	14.8	15.3	16.2	17.5	18.6	20.5	23.4	27.8	32.9	
70000	15.5	16.1	17.1	18.4	19.6	21.5	24.6	29.2	34.6	
80000	16.2	16.8	17.9	19.3	20.5	22.5	25.8	30.5	36.2	
90000	16.9	17.5	18.6	20.0	21.3	23.4	26.8	31.8	37.7	
100000	17.5	18.1	19.3	20.7	22.0	24.3	27.8	32.9	39.0	
150000	20.0	20.7	22.0	23.7	25.2	27.8	31.8	37.7	44.6	
200000	22.0	22.8	24.3	26.1	27.8	30.5	35.0	41.4	49.1	

Basic formula

$$\left(\frac{C}{P}\right) = \left(\frac{L_{10} \times n \times 60}{1,000,000}\right)^{1/3}$$

$$L_{10} = \frac{\left(\frac{C}{P}\right)^3 \times 1,000,000}{n \times 60}$$

Life Expectancy

To calculate the Rating Life L₁₀ of any selected or trial bearing:

Step 1 Determine the equivalent radial load P.

a For radial load only:
 P = F_r

b For combined radial and thrust load:
 P = X F_r + Y F_a using X and Y from Table 2 below.

Step 2 Calculate the ratio of basic load rating C to the equivalent radial load.

$$\left(\frac{C}{P}\right)$$

Step 3 Approximate the bearing life from Table 1.

Table 2 • X and Y factors for ball bearings

F _a Nd ²	e	F _a F _r ≤ e		F _a F _r > e	
		X	Y	X	Y
25	.19	1.0	0	.56	2.30
37.5	.21	1.0	0	.56	2.15
50	.22	1.0	0	.56	1.99
75	.24	1.0	0	.56	1.85
100	.26	1.0	0	.56	1.71
125	.27	1.0	0	.56	1.63
150	.28	1.0	0	.56	1.56
200	.30	1.0	0	.56	1.45
300	.34	1.0	0	.56	1.31
500	.38	1.0	0	.56	1.15
750	.42	1.0	0	.56	1.04
1000	.44	1.0	0	.56	1.00

For values between those in the table linear interpolation can be used.

Life Adjustment

The Rating Life, L₁₀, may be modified for some applications in accordance with the formula

$$L'n = a_1 a_2 a_3 L_{10}$$

where L'n = Adjusted life for (100-n) % reliability,

a₁ = Life adjustment factor for reliability

a₂ = Life adjustment factor for material and processing

a₃ = Life adjustment factor for operating conditions.

For most normal applications, all factors will be taken as 1, and the Rating Life used as the selection basis or life estimate. In addition, as long as standard catalog bearings are used, a₂ will be normally set equal to one. The factor a₃ covers such things as lubrication, misalignment, and temperature. Some conditions that could yield a₃ significantly different than unity include speeds less than 20000 DN or greater than 200000 DN, temperatures below -40°F (-40°C) or above 275°F (135°C). For other possible conditions, as well as additional information on life adjustment factors, consult Rexnord Bearing Products.

Table 3 • Load Ratings, Speed Limits and Ball Data

Size Code	C Basic load rating		Co Static load rating		Approximate speed limit RPM*		d Ball Diameter inches	N Number of balls	ND ²
	Pounds	Newtons	Pounds	Newtons	Std. Seals	N Seals			
316	4810	21400	2450	10900	9350	...	7/16	7	1.34
319	6320	28150	3530	15700	8300	6100	31/64	8	1.88
323	7490	33300	4290	19100	7550	5400	17/32	8	2.26
324	9126	40600	5390	24000	7200	...	19/32	8	2.82
328	11870	52950	7110	31600	6200	4300	11/16	8	3.78
331	13900	61800	8500	37800	5600	3900	3/4	8	4.50
335	16070	71480	1000	11600	4950	3550	13/16	8	5.28
339	18390	81550	11700	51900	4450	3250	7/8	8	6.12
344	23420	104150	15300	68100	3950	2800	1	8	8.00
347	26140	113450	17300	77100	3700	2650	1-1/16	8	9.03
351	28990	122980	19500	86600	3400	...	1-1/8	8	10.10
356	35070	142700	24100	107200	3100	...	1-1/4	8	12.50
363	45000	173100	31600	140500	2750	...	1-7/16	8	16.50

If the load P is greater than 25% of the C rating, consult Rexnord Bearing Division.

For U300 and Y300 Series reduce C Basic Load Rating by 23%

*Based on grease lubrication and moderate load.

Table 4 • Radial Load Ratings In Pounds At Various RPM For Appropriate L₁₀ Life Hours

Bearing Size Number		Radial Load Ratings, Pounds																		
Size Code	L ₁₀ Minimum life, hours	Speed, RPM																		
		50	100	200	300	400	500	600	700	800	900	1000	1200	1500	1800	2000	2500	3000	3500	
316	8000	1668	1324	1050	918	834	774	728	692	662	636	614	578	537	505	488	453	426	405	
	20000	1229	975	774	676	614	570	537	510	488	469	453	426	395	372	359	334	314	298	
	40000	975	774	614	537	488	453	426	405	387	372	359	338	314	295	285	265	249	237	
	100000	719	570	453	395	359	334	314	298	285	274	265	249	231	218	210	195	184	174	
319	8000	2195	1742	1383	1208	1097	1019	959	911	871	837	809	761	706	665	642	596	561	533	
	20000	1617	1284	1019	890	809	751	706	671	642	617	596	561	520	490	473	439	413	392	
	40000	1284	1019	809	706	642	596	561	533	509	490	473	445	413	389	375	348	328	311	
	100000	946	751	596	520	473	439	413	392	375	361	348	328	304	286	277	257	242	229	
323	8000	2596	2060	1635	1429	1298	1205	1134	1077	1030	991	956	900	835	786	759	705	663	630	
	20000	1913	1518	1205	1053	956	888	835	794	759	730	705	663	616	579	559	519	489	464	
	40000	1518	1205	956	835	759	705	663	630	602	579	559	526	489	460	444	412	388	368	
	100000	1119	888	705	616	559	519	489	464	444	427	412	388	360	339	327	304	286	271	
324	8000	3164	2511	1993	1741	1582	1469	1382	1313	1256	1207	1166	1097	1018	958	925	859	808	768	
	20000	2331	1850	1469	1283	1166	1082	1018	967	925	889	859	808	750	706	682	633	595	566	
	40000	1850	1469	1166	1018	925	859	808	768	734	706	682	641	595	560	541	502	473	449	
	100000	1363	1082	859	750	682	633	595	566	541	520	502	473	439	413	399	370	348	331	
328	8000	4128	3277	2601	2272	2064	1916	1803	1713	1638	1575	1521	1431	1329	1250	1207	1121	1055	1002	
	20000	3042	2414	1916	1674	1521	1412	1329	1262	1207	1161	1121	1055	979	921	889	826	777	738	
	40000	2414	1916	1521	1329	1207	1121	1055	1002	958	921	889	837	777	731	706	655	617	586	
	100000	1779	1412	1121	979	889	826	777	738	706	679	655	617	572	539	520	483	454	432	
331	8000	4822	3827	3038	2654	2411	2238	2106	2001	1914	1840	1777	1672	1552	1460	1410	1309	1232	1170	
	20000	3553	2820	2238	1955	1777	1649	1552	1474	1410	1356	1309	1232	1144	1076	1039	964	908	862	
	40000	2820	2238	1777	1552	1410	1309	1232	1170	1119	1076	1039	978	908	854	825	765	720	684	
	100000	2078	1649	1309	1144	1039	964	908	862	825	793	765	720	669	629	608	564	531	504	
335	8000	5588	4436	3521	3075	2794	2594	2441	2319	2218	2132	2059	1937	1799	1692	1634	1517	1428	1356	
	20000	4118	3268	2594	2266	2059	1911	1799	1708	1634	1571	1517	1428	1325	1247	1204	1118	1052	999	
	40000	3268	2594	2059	1799	1634	1517	1428	1356	1297	1247	1204	1133	1052	990	956	887	835	793	
	100000	2408	1911	1517	1325	1204	1118	1052	999	956	919	887	835	775	729	704	654	615	584	
339	8000	6355	5044	4003	3497	3177	2950	2776	2637	2522	2425	2341	2203	2045	1925	1858	1725	1623		
	20000	4682	3716	2950	2577	2341	2173	2045	1943	1858	1787	1725	1623	1507	1418	1369	1271	1196		
	40000	3716	2950	2341	2045	1858	1725	1623	1542	1475	1418	1369	1288	1196	1125	1087	1009	949		
	100000	2738	2173	1725	1507	1369	1271	1196	1136	1087	1045	1009	949	881	829	801	743	699		
344	8000	8112	6439	5110	4464	4056	3765	3543	3366	3219	3095	2989	2812	2611	2457	2372	2202			
	20000	5977	4744	3765	3289	2989	2774	2611	2480	2372	2281	2202	2072	1924	1810	1748	1622			
	40000	4744	3765	2989	2611	2372	2202	2072	1968	1883	1810	1748	1645	1527	1437	1387	1288			
	100000	3495	2774	2202	1924	1748	1622	1527	1450	1387	1334	1288	1212	1125	1059	1022	949			
347	8000	8924	7083	5621	4911	4462	4142	3898	3703	3541	3405	3287	3094	2872	2703	2609	2422			
	20000	6575	5219	4142	3618	3287	3052	2872	2728	2609	2509	2422	2279	2116	1991	1923	1785			
	40000	5219	4142	3287	2872	2609	2422	2279	2165	2071	1991	1923	1809	1679	1580	1526	1417			
	100000	3845	3052	2422	2116	1923	1785	1679	1595	1526	1467	1417	1333	1237	1164	1124	1044			
351	8000	9509	7548	5991	5233	4755	4414	4154	3946	3774	3629	3503	3297	3060	2880	2781	2581			
	20000	7007	5561	4414	3856	3503	3252	3060	2907	2781	2674	2581	2429	2255	2122	2049	1902			
	40000	5561	4414	3503	3060	2781	2581	2429	2307	2207	2122	2049	1928	1790	1684	1626	1510			
	100000	4097	3252	2581	2255	2049	1902	1790	1700	1626	1563	1510	1421	1319	1241	1198	1112			
356	8000	11087	8800	6984	6101	5543	5146	4843	4600	4400	4230	4084	3844	3568	3358	3242				
	20000	8169	6484	5146	4495	4084	3792	3568	3389	3242	3117	3009	2832	2629	2474	2389				
	40000	6484	5146	4084	3568	3242	3009	2832	2690	2573	2474	2389	2248	2087	1964	1896				
	100000	4777	3792	3009	2629	2389	2217	2087	1982	1896	1823	1760	1656	1537	1447	1397				
363	8000	13521	10731	8517	7441	6760	6276	5906	5610	5366	5159	4981	4687	4351	4095	3953				
	20000	9962	7907	6276	5482	4981	4624	4351	4133	3953	3801	3670	3454	3206	3017	2913				
	40000	7907	6276	4981	4351	3953	3670	3454	3281	3138	3017	2913	2741	2545	2395	2312				
	100000	5826	4624	3670	3206	2913	2704	2545	2417	2312	2223	2146	2020	1875	1764	1703				

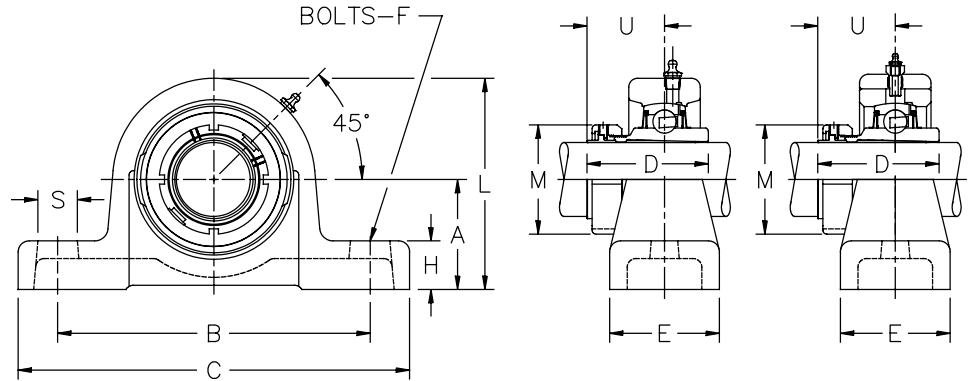
If the load P is greater than 25% of the C rating, consult Rexnord Bearing Division.
 For U300 and Y300 Series reduce C Basic Load Rating by 23%

PA300, PEA300



Product Features

- Positive locking system
- Tapered adapter sleeve
- Corrosion-resistant powder coating
- Cast iron housing
- Fixed or Expansion - Up to 3/8 in expansion
- Alignable & relubricatable
- See Features and Benefits for additional info on page 406.



Bearing Dimensions

Size Code	Shaft Diameter	Expansion		Fixed		A Base to Centerline Height	B Distance Between Bolt Holes	C	D	E	F Bolts	H	M	S	U	Total Axial Expansion	Approx. Weight
		Part Number	L	Part Number	L												
319	1 3/16	PEA319	4 1/4	PA319	4 1/16	2 1/8	6 7/16	8 1/4	2 3/4	2 1/4	1/2	15/16	2 5/32	1 1/16	1.98	3/16	5.50
323	1 7/16	PEA323	4 11/16	PA323	4 1/2	2 3/8	7 3/8	9 1/4	2 47/64	2 3/8	5/8	1	2 3/8	1 1/8	1.91	3/16	7.77
328	1 11/16	PEA327	5 5/8	PA327	5 1/2	2 7/8	8 1/4	10 1/4	3 1/8	3	5/8	1 5/16	2 41/64	1 1/8	2.22	3/16	13.35
331	1 15/16	PEA331	6 7/32	PA331	6	3 1/8	8 7/8	11 1/8	3 7/32	3 1/8	5/8	1 3/8	2 55/64	1 1/8	2.13	1/4	16.00
335	2 3/16	PEA335	6 13/16	PA335	6 5/8	3 1/2	10 1/4	12 5/8	3 23/64	3 3/8	3/4	1 1/2	3 15/64	1 1/4	2.14	9/32	24.00
339	2 7/16	PEA339	7 3/16	PA339	7 1/8	3 5/8	11 1/4	13 3/4	3 27/32	3 1/2	3/4	1 5/8	3 19/32	1 3/8	2.39	9/32	27.00
344	2 11/16	PEA343	7 15/16	PA343	7 3/4	4	11 13/16	14 5/8	4 1/4	3 3/4	7/8	1 5/8	4 3/32	1 5/8	2.69	7/32	36.00
	2 3/4	PEA344		PA344													
347	2 15/16	PEA347	8 3/8	PA347	8 3/8	4 1/4	12	15 1/8	4 17/32	4	7/8	1 3/4	4 3/32	1 5/8	2.80	7/32	44.00
351	3 3/16	PEA351	9	PA351	9	4 9/16	12 1/4	15 3/8	5 1/2	4 5/16	7/8	1 15/16	4 61/64	1 5/8	3.69	11/32	55.00
356	3 7/16	PEA355	10 1/16	PA355	9 7/8	5 1/8	12 7/8	16 1/8	5 23/64	5	1	2 1/4	4 61/64	1 5/8	3.33	11/32	68.00
363	3 15/16	PEA363	11 1/16	PA363	11 1/16	5 11/16	14 1/2	17 5/16	5 29/32	5	1	2 9/16	5 43/64	1 1/2	3.97	11/32	98.00

Additional Notes

- Please call 1-866-REXNORD for availability
- Lubrication fitting tap size: for expansion units with shaft sizes 2 7/16 in and below, 1/4 in-28 UNF; for other expansion units and all fixed units, 1/8 in PT
- Base to centerline tolerance, +0.000 in/-0.010 in (+0.00 mm/-0.25 mm)
- 1 3/16 in thru 2 15/16 in shaft sizes also available with dual contact lip seals, add suffix N
- For the Selection Guide, Load Ratings and Speed Limits, see the Link-Belt 300 Series Heavy Duty Ball Bearings Engineering section on pages 408 - 411.
- Note: Dimensions subject to change. Certified dimensions of ordered material furnished on request.

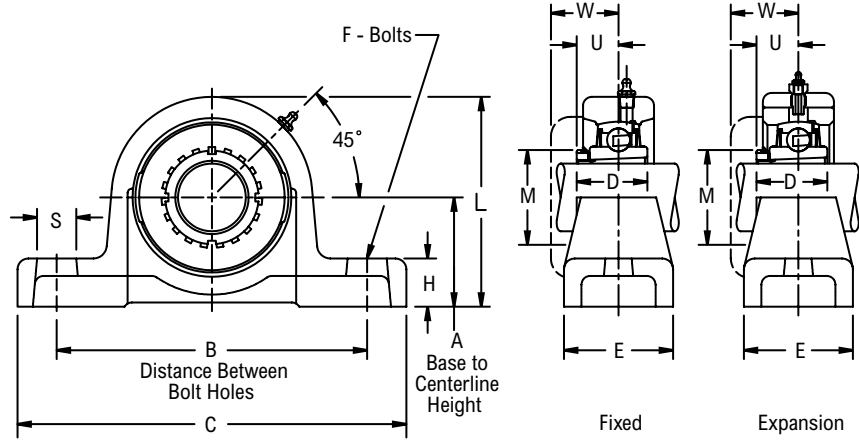
PU3K00, PEU3K00



Photo Shows a 2-Bolt Ball Bearing Pillow Block Unit

Product Features

- Corrosion-resistant powder coating
- Cast iron housing
- Enhanced life mounting style
- Fixed or Expansion - Up to 11/32 in expansion
- Alignable & relubricatable
- See Features and Benefits for additional info on page 406.



Bearing Dimensions

Size Code	Shaft Diameter	Expansion		Fixed		A Base to Centerline Height	B Distance Between Bolt Holes	C	D	E	F Bolts	H	M	S	U	W	Total Axial Expansion	Approx. Weight
		Part Number	L	Part Number	L													
331	1 11/16	PEU3K27	6 7/32	PU3K27	6	3 1/8	8 7/8	11 1/8	2 17/32	3 1/8	5/8	1 3/8	2 11/16	1 1/8	1 35/64	1 27/32	1/4	17.00
335	1 15/16	PEU3K31	6 13/16	PU3K31	6 5/8	3 1/2	10 1/4	12 5/8	2 19/32	3 3/8	3/4	1 1/2	2 31/32	1 1/4	1 43/64	1 31/32	9/32	23.00
344	2 3/16	PEU3K35	7 15/16	PU3K35	7 3/4	4	11 13/16	14 5/8	3 1/32	3 3/4	7/8	1 5/8	3 3/8	1 5/8	1 27/32	2 3/16	7/32	35.00
347	2 7/16	PEU3K39	8 3/8	PU3K39	8 3/8	4 1/4	12	15 1/8	3 3/16	4	7/8	1 3/4	3 7/8	1 5/8	1 15/16	2 7/16	7/32	41.00
351	2 11/16	PEU3K43	9	PU3K43	9	4 9/16	12 1/4	15 3/8	3 5/16	4 5/16	7/8	1 15/16	4 5/32	1 5/8	2 1/4	2 5/8	11/32	50.00
356	2 15/16	PEU3K47	10 1/16	PU3K47	9 7/8	5 1/8	12 7/8	16 1/8	3 17/32	5	1	2 1/4	4 13/32	1 5/8	2 3/8	2 3/4	11/32	60.00
363	3 7/16	PEU3K55	11 1/16	PU3K55	11 1/16	5 11/16	14 1/2	17 5/16	3 31/32	5	1	2 9/16	5 3/16	1 1/2	2 29/32	3 9/32	11/32	82.00

Additional Notes

- Please call 1-866-REXNORD for availability
- Lubrication fitting tap size: for expansion units with shaft sizes 1 15/16 in and below, 1/4 in-28 UNF; for other expansion units and all fixed units, 1/8 in PT
- Base to centerline tolerance, +.000 in/-0.010 in (+0.00 mm/-0.25 mm)
- 1 11/16 in thru 2 7/16 in shaft sizes also available with dual contact lip seals, add suffix N
- For the Selection Guide, Load Ratings and Speed Limits, see the Link-Belt 300 Series Heavy Duty Ball Bearings Engineering section on pages 408 - 411.

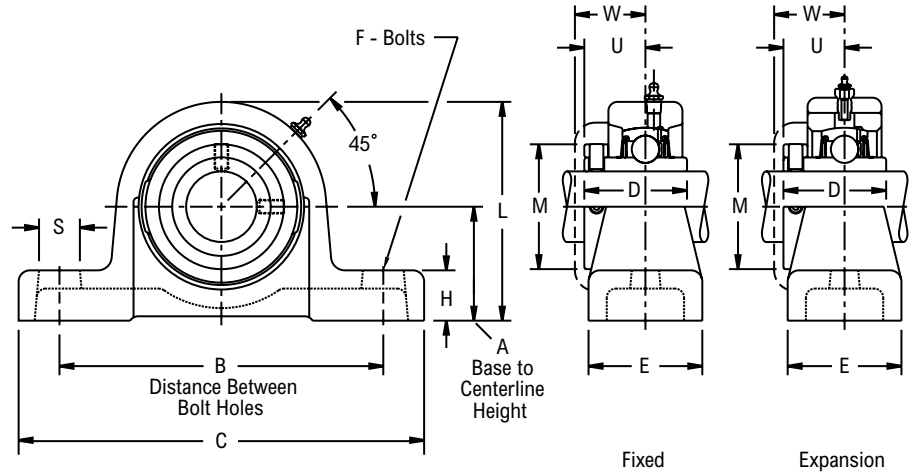
Note: Dimensions subject to change. Certified dimensions of ordered material furnished on request.



Photo Shows a 2-Bolt Ball Bearing Pillow Block Unit

Product Features

- Corrosion-resistant powder coating
- Cast iron housing
- Spring locking setscrew mount
- Fixed or Expansion - Up to 11/32 in expansion
- Alignable & relubricatable
- See Features and Benefits for additional info on page 406.



Bearing Dimensions

Size Code	Shaft Diameter	Expansion		Fixed		A Base to Centerline Height	B Distance Between Bolt Holes	C	D	E	F Bolts	H	M	S	U	W	Total Axial Expansion	Approx. Weight
		Part Number	L	Part Number	L													
316	7/8	PEU314	3 23/32	PU314	3 9/16	1 7/8	5 1/2	7	1 43/64	2	1/2	7/8	2	7/8	63/64	1 15/64	3/16	4.00
	15/16	PEU315		PU315														
	1	PEU316		PU316														
319	1 1/8	PEU318	4 1/4	PU318	4 1/16	2 1/8	6 7/16	8 1/4	1 59/64	2 1/4	1/2	15/16	2 5/16	1 1/16	1 9/64	1 13/32	3/16	5.90
	1 3/16	PEU319		PU319														
323	1 1/4	PEU320	4 11/16	PU320	4 1/2	2 3/8	7 3/8	9 1/4	2 3/32	2 3/8	5/8	1	2 9/16	1 1/8	1 1/4	1 1/2	3/16	7.50
	1 3/8	PEU322		PU322														
	1 7/16	PEU323		PU323														
324	1 1/2	PEU324	5 7/32	PU324	5	2 5/8	8	10 1/8	2 5/16	2 5/8	5/8	1 1/4	3 1/16	1 1/4	1 25/64	1 39/64	3/16	11.50
	1 5/8	PEU326		PU326														
	1 11/16	PEU327		PU327														
328	1 3/4	PEU328	5 5/8	PU328	5 1/2	2 7/8	8 1/4	10 1/4	2 19/32	3	5/8	1 5/16	3 1/4	1 1/8	1 35/64	1 27/32	3/16	13.00
	1 3/4	PEU328		PU328														
331	1 15/16	PEU331	6 7/32	PU331	6	3 1/8	8 7/8	11 1/8	2 13/16	3 1/8	5/8	1 3/8	3 7/16	1 1/8	1 43/64	1 31/32	1/4	17.20
	2	PEU332		PU332														
335	2 1/8	PEU334	6 13/16	PU334	6 5/8	3 1/2	10 1/4	12 5/8	3 1/16	3 3/8	3/4	1 1/2	3 15/16	1 1/4	1 27/32	2 3/16	9/32	21.50
	2 3/16	PEU335		PU335														
339	2 1/4	PEU336	7 3/16	PU336	7 1/8	3 5/8	11 1/4	13 3/4	3 5/16	3 1/2	3/4	1 5/8	4 3/16	1 3/8	1 15/16	2 7/16	9/32	27.50
	2 7/16	PEU339		PU339														
344	2 11/16	PEU343	7 15/16	PU343	7 3/4	4	11 13/16	14 5/8	3 13/16	3 3/4	7/8	1 5/8	4 3/4	1 5/8	2 1/4	2 5/8	7/32	39.00
	2 3/4	PEU344		PU344														
347	2 15/16	PEU347	8 3/8	PU347	8 3/8	4 1/4	12	15 1/8	4 3/32	4	7/8	1 3/4	4 15/16	1 5/8	2 3/8	2 3/4	7/32	44.50
351	3	PEU348	9	PU348	9	4 9/16	12 1/4	15 3/8	4 13/32	4 5/16	7/8	1 15/16	5 11/16	1 5/8	2 19/32	3	11/32	53.00
	3 3/16	PEU351		PU351														
356	3 7/16	PEU355	10 1/16	PU355	9 7/8	5 1/8	12 7/8	16 1/8	4 15/16	5	1	2 1/4	6	1 5/8	2 29/32	3 9/32	11/32	70.00
	3 1/2	PEU356		PU356														
363	3 15/16	PEU363	11 1/16	PU363	11 1/16	5 11/16	14 1/2	17 5/16	5 9/16	5	1	2 9/16	7	1 1/2	3 9/32	3 11/16	11/32	98.00

Additional Notes

- Please call 1-866-REXNORD for availability
- Lubrication fitting tap size: for expansion units with shaft sizes 2 7/16 in and below, 1/4 in-28 UNF; for other expansion units and all fixed units, 1/8 in PT
- Base to centerline tolerance, +.000 in/-0.010 in (+0.00 mm/-0.25 mm)
- 1 1/8 in thru 1 7/16 in & 1 5/8 in thru 2 15/16 in shaft sizes also available with dual contact lip seals, add suffix N
- For the Selection Guide, Load Ratings and Speed Limits, see the Link-Belt 300 Series Heavy Duty Ball Bearings Engineering section on pages 408 - 411.

Note: Dimensions subject to change. Certified dimensions of ordered material furnished on request.

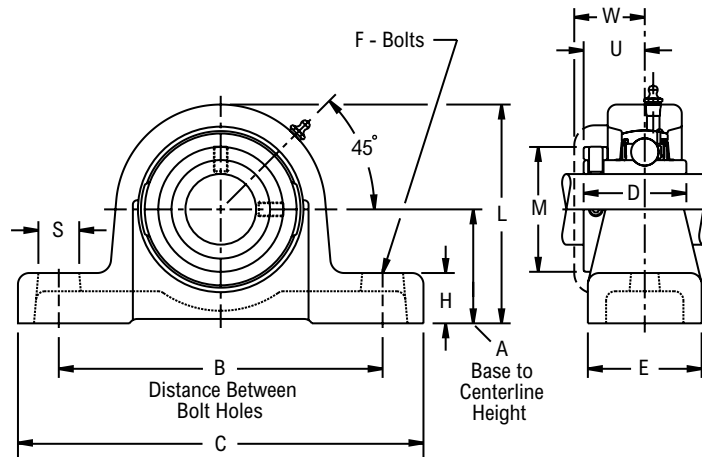
P2U300



Photo Shows a 2-Bolt Ball Bearing Pillow Block Unit

Product Features

- Corrosion-resistant powder coating
- Cast iron housing
- Spring locking setscrew mount
- Alignable & relubricatable
- High base to center height
- See Features and Benefits for additional info on page 406.



Bearing Dimensions

Size Code	Shaft Diameter	Part Number	A Base to Centerline Height	B Distance Between Bolt Holes	C	D	E	F Bolts	H	L	M	S	U	W	Approx. Weight
316	7/8	P2U314	2	5 1/2	7	1 43/64	2	1/2	7/8	3 11/16	2	7/8	63/64	1 15/64	4.20
	15/16	P2U315													
	1	P2U316													
319	1 1/8	P2U318	2 3/8	6 5/8	8 1/4	1 59/64	2 3/8	1/2	7/8	4 5/16	2 5/16	1	1 9/64	1 13/32	6.50
	1 3/16	P2U319													
323	1 1/4	P2U320	2 3/4	8 1/4	10 1/8	2 3/32	2 3/4	5/8	15/16	4 7/8	2 9/16	1 1/8	1 1/4	1 1/2	8.90
	1 3/8	P2U322													
	1 7/16	P2U323													
328	1 5/8	P2U326	3 1/8	9	11	2 19/32	3	5/8	1 3/16	5 3/4	3 1/4	1 1/8	1 35/64	1 27/32	14.00
	1 11/16	P2U327													
	1 3/4	P2U328													
335	2	P2U332	3 3/4	10 1/4	12 5/8	3 1/16	3 3/8	3/4	1 7/16	6 7/8	3 15/16	1 3/8	1 27/32	2 3/16	22.90
	2 1/8	P2U334													
	2 3/16	P2U335													
339	2 1/4	P2U336	4 1/8	11 1/4	13 3/4	3 5/16	4	3/4	1 1/2	7 1/2	4 3/16	1 3/8	1 15/16	2 7/16	31.10
	2 7/16	P2U339													
344	2 11/16	P2U343	4 9/16	12	14 13/16	3 13/16	4 3/8	7/8	1 3/4	8 7/16	4 3/4	1 3/8	2 1/4	2 5/8	44.00
	2 3/4	P2U344													
347	2 15/16	P2U347	4 9/16	12 3/8	15 3/8	4 3/32	4 3/8	7/8	1 7/8	8 11/16	4 15/16	1 3/8	2 3/8	2 3/4	47.20

Additional Notes

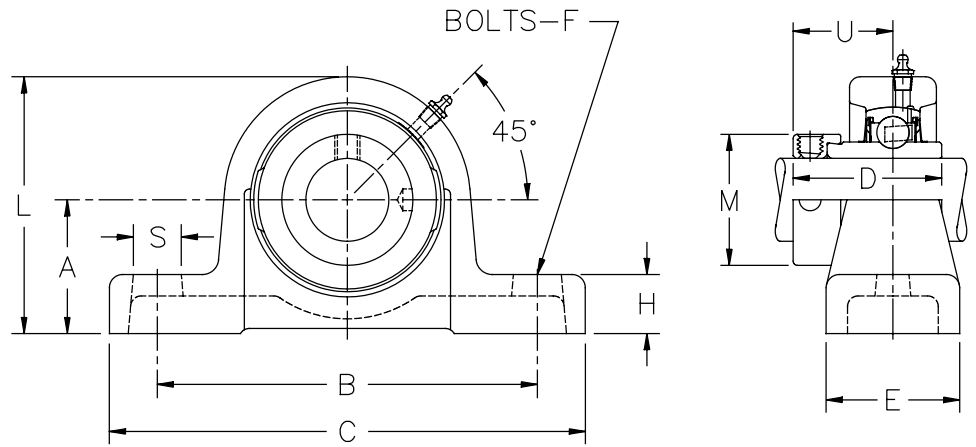
- Please call 1-866-REXNORD for availability
- Lubrication fitting tap size, 1/8 in PT
- Base to centerline tolerance, +.000 in/-.010 in (**+0.00 mm/-0.25 mm**)
- 1 1/8 in thru 1 7/16 in & 1 5/8 in thru 2 15/16 in shaft sizes also available with dual contact lip seals, add suffix N
- For the Selection Guide, Load Ratings and Speed Limits, see the Link-Belt 300 Series Heavy Duty Ball Bearings Engineering section on pages 408 - 411.
- Note: Dimensions subject to change. Certified dimensions of ordered material furnished on request.



Photo Shows a 2-Bolt Ball Bearing Pillow Block Unit

Product Features

- Corrosion-resistant powder coating
- Cast iron housing
- Eccentric cam locking device
- Alignable & relubricatable
- Low base to center height
- See Features and Benefits for additional info on page 406.



Bearing Dimensions

Size Code	Shaft Diameter	Part Number	A Base to Centerline Height	B Distance Between Bolt Holes	C	D	E	F Bolts	H	L	M	S	U	Approx. Weight
319	1 3/16	PLY319N	1 7/8	5 3/8	6 13/16	2 1/32	1 15/16	1/2	7/8	3 11/16	1 15/16	3/4	1 1/4	4.60
323	1 7/16	PLY323N	2 1/8	6	7 9/16	2 5/32	2 1/8	1/2	15/16	4 3/32	2 3/16	3/4	1 5/16	5.90
328	1 11/16	PLY327N	2 5/8	7 1/2	9 7/16	2 9/16	2 5/8	5/8	1 3/16	5 1/8	2 3/4	1	1 33/64	11.30
331	1 15/16	PLY331N	2 13/16	8 1/4	10 7/16	2 25/32	2 7/8	5/8	1 9/16	5 9/16	3	1	1 41/64	15.00
335	2 3/16	PLY335N	3 1/16	9	11 5/16	2 15/16	3 1/8	3/4	1 7/16	6 1/32	3 1/4	1 1/8	1 23/32	18.50
339	2 7/16	PLY339N	3 5/16	9 3/4	12 5/16	3 3/32	3 5/16	3/4	1 1/2	6 17/32	3 1/2	1 1/8	1 25/32	23.20
344	2 11/16	PLY343N	3 13/16	11 1/4	14 3/16	3 9/16	3 13/16	7/8	1 3/4	7 9/16	4	1 5/16	2	36.10
347	2 15/16	PLY347N	4 1/8	12	15 1/8	3 15/16	4 1/16	7/8	1 7/8	8 1/8	4 7/16	1 5/16	2 7/32	43.40

Additional Notes

- Please call 1-866-REXNORD for availability
- Lubrication fitting tap size, 1/8 in PT
- Base to centerline tolerance, +.000 in/-0.010 in (+0.00 mm/-0.25 mm)
- N dual contact lip seals standard
- For the Selection Guide, Load Ratings and Speed Limits, see the Link-Belt 300 Series Heavy Duty Ball Bearings Engineering section on pages 408 - 411.
- Note: Dimensions subject to change. Certified dimensions of ordered material furnished on request.

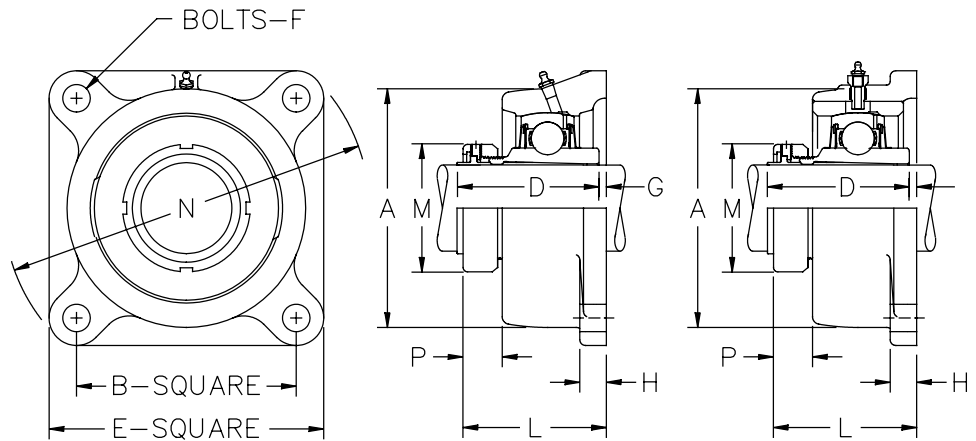
FA300, FEA300



Photo Shows a 4-Bolt Ball Bearing Flanged Unit

Product Features

- Positive locking system
- Tapered adapter sleeve
- Corrosion-resistant powder coating
- Cast iron housing
- Fixed or Expansion - up to 3/8 in. Expansion
- Alignable & relubricatable
- See Features and Benefits for additional info on page 406.



Bearing Dimensions

Size Code	Shaft Diameter	Expansion		Fixed		B Distance Between Bolt Holes	L Mounting Surface to Collar Face	D	E	F Bolts	G	H	M	N	P	Total Axial Expansion	Approx. Weight
		Part Number	A	Part Number	A												
319	1 3/16	FEA319	4 1/8	FA319	3 5/8	3 13/16	2 7/8	2 3/4	4 15/46	1/2	1/8	5/8	2 5/32	6 17/32	1 7/32	3/16	5.00 lb
323	1 7/16	FEA323	4 15/32	FA323	4 1/16	4	2 29/32	2 47/64	5 1/8	5/8	5/32	5/8	2 3/8	6 25/32	1 3/32	3/16	6.20 lb
328	1 11/16	FEA327	5 1/2	FA327	5	4 7/8	3 25/64	3 1/8	6 1/4	5/8	1/4	11/16	2 41/64	8 9/32	1 9/32	3/16	10.40 lb
331	1 15/16	FEA331	5 15/16	FA331	5 1/2	5 1/8	3 27/64	3 7/32	6 1/2	5/8	5/32	11/16	2 55/64	8 5/8	1 7/64	1/4	12.50 lb
335	2 3/16	FEA335	6 3/8	FA335	6	5 3/4	3 33/64	3 23/64	7 5/16	3/4	5/32	3/4	3 15/64	9 11/16	61/64	9/32	17.00 lb
339	2 7/16	FEA339	6 13/16	FA339	6 3/8	6	3 59/64	3 27/32	7 5/8	3/4	5/32	3/4	3 19/32	10 1/8	1 1/8	9/32	19.00 lb
344	2 11/16	FEA343	7 3/4	FA343	7 5/16	7	4 13/32	4 1/4	8 7/8	7/8	5/32	7/8	4 3/32	11 25/32	1 3/16	7/32	30.00 lb
	2 3/4	FEA344		FA344													
347	2 15/16	FEA347	8 1/4	FA347	7 7/8	7 1/4	4 47/64	4 17/32	9 1/16	7/8	7/32	7/8	4 3/32	12 17/16	1 19/64	7/32	34.00 lb
356	3 7/16	FEA355	9 7/8	FA355	9 1/4	8 1/2	5 37/64	5 23/64	11	1	7/32	1 1/4	4 61/64	14 17/32	1 27/64	11/32	50.00 lb
363	3 15/16	FEA363	10 15/16	FA363	10 3/8	9 1/2	6 1/8	5 29/32	12 1/8	1	7/32	1 3/8	5 43/64	16 1/16	1 27/64	11/32	82.00 lb

Additional Notes

- Please call 1-866-REXNORD for availability
- Lubrication fitting tap size: for expansion units with shaft sizes 2 7/16 in and below, 1/4 in-28 UNF; for other expansion units and all fixed units, 1/8 in PT
- 1 1/8 in thru 1 7/16 in & 1 5/8 in thru 2 15/16 shaft sizes also available with dual contact lip seals, add suffix N
- For the Selection Guide, Load Ratings and Speed Limits, see the Link-Belt 300 Series Heavy Duty Ball Bearings Engineering section on pages 408 - 411.
- Note: Dimensions subject to change. Certified dimensions of ordered material furnished on request.

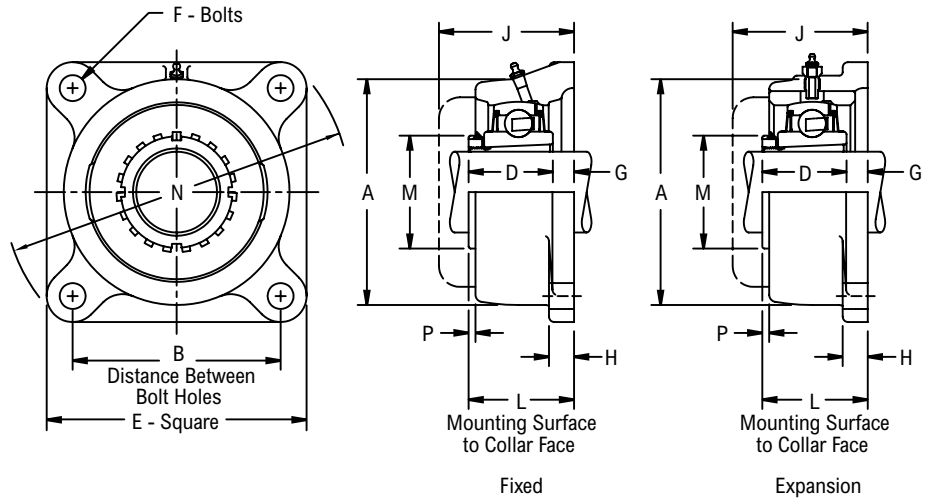
FU3K00, FEU3K00



Photo Shows a 4-Bolt Ball Bearing Flanged Unit

Product Features

- Corrosion-resistant powder coating
- Cast iron housing
- Enhanced life mounting style
- Fixed or Expansion - Up to 11/32 in expansion
- Alignable & relubricatable
- See Features and Benefits for additional info on page 406.



Bearing Dimensions

Size Code	Shaft Diameter	Expansion		Fixed		B Distance Between Bolt Holes	L Mounting Surface to Collar Face	D	E	F Bolts	G	H	J	M	N	P	Total Axial Expansion	Approx. Weight
		Part Number	A	Part Number	A													
331	1 11/16	FEU3K27	5 15/16	FU3K27	5 1/2	5 1/8	2 27/32	2 17/32	6 1/2	5/8	2 1/64	1 1/16	3 17/64	2 11/16	8 5/8	1 7/32	1/4	12.00
335	1 15/16	FEU3K31	6 3/8	FU3K31	6	5 3/4	2 61/64	2 19/32	7 5/16	3/4	23/64	3/4	3 9/16	2 31/32	9 11/16	2 5/64	9/32	17.60
344	2 3/16	FEU3K35	7 3/4	FU3K35	7 5/16	7	3 35/64	3 1/32	8 7/8	7/8	17/32	7/8	4 11/32	3 7/8	11 25/32	2 1/64	7/32	26.90
347	2 7/16	FEU3K39	8 1/4	FU3K39	7 7/8	7 1/4	3 7/8	3 3/16	9 1/16	7/8	11/16	7/8	4 11/16	3 7/8	12 1/16	7/32	7/32	30.80
356	2 15/16	FEU3K47	9 7/8	FU3K47	9 1/4	8 1/2	4 3/8	3 17/32	11	1	27/32	1 1/4	5 17/32	4 13/32	14 17/32	7/32	1 1/32	49.70
363	3 7/16	FEU3K55	10 15/16	FU3K55	10 3/8	9 1/2	4 59/64	3 31/32	12 1/8	1 1/8	15/16	1 3/8	6 3/16	5 3/16	16 1/16	15/64	1 1/32	65.30

Additional Notes

- Please call 1-866-REXNORD for availability
- Lubrication fitting tap size: for expansion units with shaft sizes 1 15/16 in and below, 1/4 in-28 UNF; for other expansion units and all fixed units, 1/8 in PT
- 1 11/16 in thru 2 7/16 in shaft sizes also available with dual contact lip seals, add suffix N
- For the Selection Guide, Load Ratings and Speed Limits, see the Link-Belt 300 Series Heavy Duty Ball Bearings Engineering section on pages 408 - 411.
- Note: Dimensions subject to change. Certified dimensions of ordered material furnished on request.

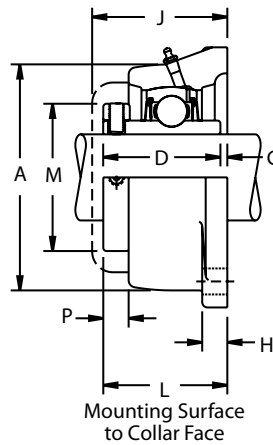
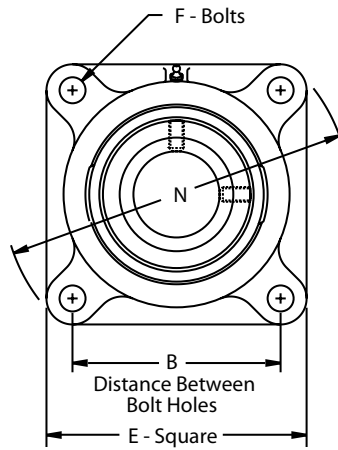
FU300, FEU300



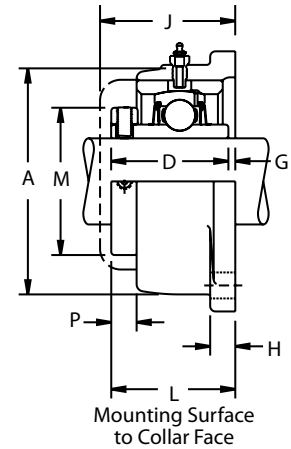
Photo Shows a 4-Bolt Ball Bearing Flanged Unit

Product Features

- Corrosion-resistant powder coating
- Cast iron housing
- Spring locking setscrew mount
- Fixed or Expansion - Up to 11/32 in expansion
- Alignable & relubricatable
- See Features and Benefits for additional info on page 406.



Fixed



Expansion

Bearing Dimensions

Size Code	Shaft Diameter	Expansion		Fixed		B Distance Between Bolt Holes	L Mounting Surface to Collar Face	D	E	F Bolts	G	H	J	M	N	P	Total Axial Expansion	Approx. Weight
		Part Number	A	Part Number	A													
316	7/8	FEU314	3 11/16	FEU314	3 1/4	3 1/2	1 51/64	1 43/64	4 5/8	1/2	1/8	9/16	2 3/64	2	6 1/16	19/64	3/16	4.00
	15/16	FEU315		FEU315														
	1	FEU316		FEU316														
319	1 1/8	FEU318	4 1/8	FEU318	3 5/8	3 13/16	2 3/64	1 59/64	4 15/16	1/2	1/8	5/8	2 5/16	2 5/16	6 17/32	25/64	3/16	4.70
	1 3/16	FEU319		FEU319														
323	1 1/4	FEU320	4 15/32	FEU320	4 1/16	4	2 1/4	2 3/32	5 1/8	1/2	5/32	5/8	2 1/2	2 9/16	6 25/32	7/16	9/32	6.00
	1 3/8	FEU322		FEU322														
	1 7/16	FEU323		FEU323														
324	1 1/2	FEU324	5	FEU324	4 9/16	4 5/8	2 15/32	2 5/16	6	5/8	5/32	5/8	2 11/16	3 1/16	7 29/32	1/2	9/32	8.50
	1 5/8	FEU326		FEU326														
328	1 11/16	FEU327	5 1/2	FEU327	5	4 7/8	2 3/4	2 19/32	6 1/4	5/8	5/32	11/16	3 3/64	3 1/4	8 9/32	35/64	3/16	10.20
	1 3/4	FEU328		FEU328														
	1 15/16	FEU331		FEU331														
331	2	FEU332	5 15/16	FEU332	5 1/2	5 1/8	2 31/32	2 13/16	6 1/2	5/8	5/32	11/16	3 17/64	3 7/16	8 5/8	37/64	1/4	12.20
	2 1/8	FEU334		FEU334														
335	2 3/16	FEU335	6 3/8	FEU335	6	5 3/4	3 7/32	3 1/16	7 5/16	3/4	5/32	3/4	3 9/16	3 15/16	9 11/16	21/32	9/32	16.50
	2 1/4	FEU336		FEU336														
339	2 7/16	FEU339	6 13/16	FEU339	6 3/8	6	3 15/32	3 5/16	7 5/8	3/4	5/32	3/4	3 31/32	4 3/16	10 1/8	21/32	9/32	19.20
	2 11/16	FEU343		FEU343														
344	2 3/4	FEU344	7 3/4	FEU344	7 5/16	7	3 31/32	3 13/16	8 7/8	7/8	5/32	7/8	4 11/32	4 3/4	11 25/32	3/4	7/32	30.00
	2 15/16	FEU347		FEU347														
347	3 7/16	FEU355	9 7/8	FEU355	9 1/4	8 1/2	5 5/32	4 15/16	11	1	7/32	1 1/4	5 17/32	6	14 17/32	1	11/32	58.00
	3 1/2	FEU356		FEU356														
363	3 15/16	FEU363	10 15/16	FEU363	10 3/8	9 1/2	5 25/32	5 9/16	12 1/8	1 1/8	7/32	1 3/8	6 3/16	7	16 1/16	1 3/32	11/32	78.00

Additional Notes

- Please call 1-866-REXNORD for availability
- Lubrication fitting tap size: for expansion units with shaft sizes 2 7/16 in and below, 1/4 in-28 UNF; for other expansion units and all fixed units, 1/8 in PT
- 1 1/8 in thru 1 7/16 in & 1 5/8 in thru 2 15/16 in shaft sizes also available with dual contact lip seals, add suffix N
- For the Selection Guide, Load Ratings and Speed Limits, see the Link-Belt 300 Series Heavy Duty Ball Bearings Engineering section on pages 408 - 411.
- Note: Dimensions subject to change. Certified dimensions of ordered material furnished on request.

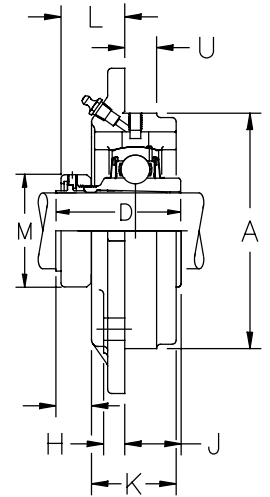
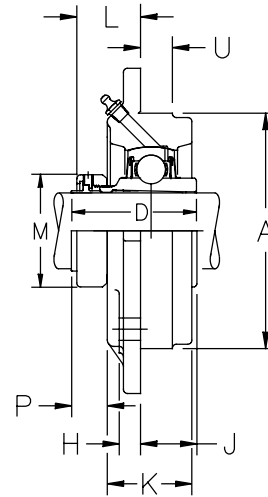
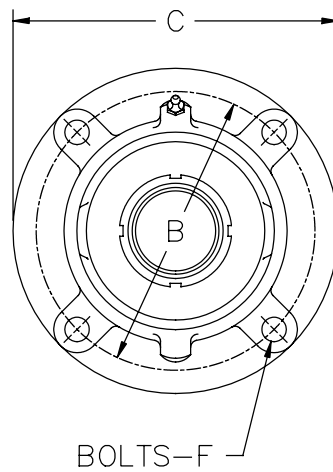
FCA300, FCEA300



Photo Shows a 4-Bolt Ball Bearing Flanged Cartridge Unit

Product Features

- Positive locking system
- Tapered adapter sleeve
- Corrosion-resistant powder coating
- Cast iron housing
- Fixed or Expansion - up to 3/8 in. Expansion
- Alignable & relubricatable
- See Features and Benefits for additional info on page 406.



Bearing Dimensions

Size Code	Shaft Diameter	Expansion		A Pilot Diameter	B Bolt Hole Circle Diameter	L Mounting Surface to Collar Face	C	D	F Bolts	H	J	K	M	P	U	Total Axial Expansion	Approx. Weight
		Part Number	Part Number														
319	1 3/16	-	FCA319	4.125	5	1 7/8	6	2 3/4	7/16	7/16	3 1/32	1 7/16	2 5/32	1 7/32	5/8	-	5.50 lb
323	1 7/16	FCEA323	FCA323	4.500	5 3/8	1 21/32	6 3/8	2 47/64	7/16	7/16	1 3/32	1 9/16	2 3/8	1 3/32	5/8	3/16	6.20 lb
328	1 11/16	FCEA327	FCA327	5.500	6 1/2	1 63/64	7 5/8	3 1/8	1/2	1/2	1 5/32	1 59/64	2 41/64	1 5/8	3/4	3/16	11.25 lb
331	1 15/16	FCEA331	FCA331	6.000	7	1 7/8	8 1/8	3 7/32	1/2	9/16	1 25/64	2 1/8	2 55/64	1 1/4	7/8	1/4	15.00 lb
335	2 3/16	FCEA335	FCA335	6.375	7 5/8	1 53/64	9	3 23/64	5/8	5/8	1 17/32	2 9/32	3 15/64	1 61/64	15/16	9/32	19.00 lb
339	2 7/16	FCEA339	FCA339	6.875	8 1/8	1 5/64	9 1/2	3 27/32	5/8	5/8	1 11/16	2 15/32	3 19/32	1 7/64	15/16	9/32	22.00 lb
344	2 11/16	FCEA343	FCA343	7.750	9	2 5/16	10 3/8	4 1/4	5/8	3/4	1 15/16	2 27/32	4 3/32	1 15/64	1 1/8	7/32	33.00 lb
	2 3/4	FCEA344	FCA344														
347	2 15/16	FCEA347	FCA347	8.250	9 1/2	2 7/16	10 7/8	4 17/32	5/8	3/4	2 3/32	3 1/8	4 3/32	1 3/16	1 1/8	7/32	37.00 lb
356	3 7/16	FCEA355	FCA355	9.875	11 3/8	2 53/64	12 7/8	5 23/64	3/4	7/8	2 17/32	3 11/16	4 61/64	1 27/64	1 1/4	11/32	64.00 lb
363	3 15/16	FCEA363	FCA363	11.000	12 1/2	3 1/8	14	5 29/32	3/4	7/8	2 25/32	4 7/32	5 43/64	1 27/64	1 3/8	11/32	85.00 lb

Additional Notes

- Please call 1-866-REXNORD for availability
- Lubrication fitting tap size: for shaft sizes 1 3/16 in and below, 1/4 in-28 UNF; for all other shaft sizes, 1/8 in PT
- Pilot Diameter tolerance, +.000 in/- .002 in (+0.00 mm/-0.05 mm)
- Bore tolerance for mounting, +.002 in/- .000 in (+0.05 mm/-0.00 mm)
- 1 1/8 in thru 1 7/16 in & 1 5/8 in thru 2 15/16 in shaft sizes also available with dual contact lip seals, add suffix N

For the Selection Guide, Load Ratings and Speed Limits, see the Link-Belt 300 Series Heavy Duty Ball Bearings Engineering section on pages 408 - 411.
 Note: Dimensions subject to change. Certified dimensions of ordered material furnished on request.

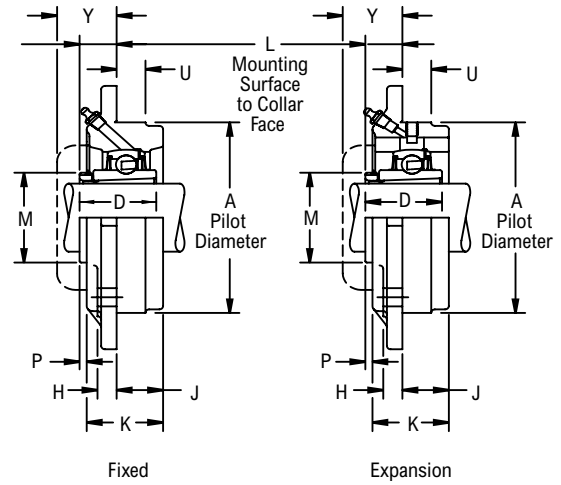
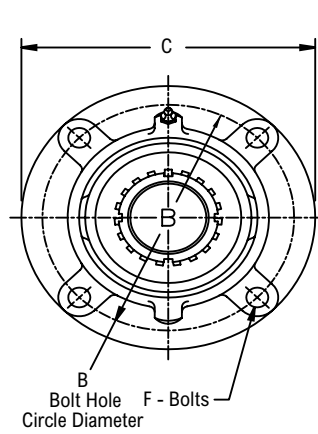
FCU3K00, FCEU3K00



Photo Shows a 4-Bolt Ball Bearing Flanged Cartridge Unit

Product Features

- Corrosion-resistant powder coating
- Cast iron housing
- Enhanced life mounting style
- Fixed or Expansion - Up to 13/32 in expansion
- Alignable & relubricatable
- See Features and Benefits for additional info on page 406.



Bearing Dimensions

Size Code	Shaft Diameter	Expansion	Fixed	A Pilot Diameter	B Bolt Hole Circle Diameter	L Mounting Surface to Collar Face	C	D	F Bolts	H	J	K	M	P	U	Y	Total Axial Expansion	Approx. Weight
		Part Number	Part Number															
331	1 11/16	FCEU3K27	FCU3K27	6.000	7	1 5/16	8 1/8	2 17/32	1/2	9/16	1 13/64	2 1/8	2 11/16	39/64	7/8	1 23/32	1/4	14.80
335	1 15/16	FCEU3K31	FCU3K31	6.375	7 5/8	1 17/64	9	2 19/32	5/8	5/8	1 5/16	2 9/32	2 31/32	25/64	15/16	1 7/8	1/4	20.90
344	2 3/16	FCEU3K35	FCU3K35	7.750	9	1 29/64	10 3/8	3 1/32	5/8	3/4	1 9/16	2 27/32	3 3/8	3/8	1 1/8	2 1/4	13/32	30.50
347	2 7/16	FCEU3K39	FCU3K39	8.250	9 1/2	1 9/16	10 7/8	3 3/16	5/8	3/4	1 5/8	3 1/8	3 7/8	5/16	1 1/8	2 3/8	13/32	31.80
356	2 15/16	FCEU3K47	FCU3K47	9.875	11 3/8	1 5/8	12 7/8	3 17/32	3/4	7/8	1 29/32	3 11/16	4 13/32	7/32	1 1/4	2 25/32	13/32	55.00
363	3 7/16	FCEU3K55	FCU3K55	11.000	12 1/2	1 59/64	14	3 31/32	3/4	7/8	2 1/16	4 7/32	5 3/16	15/64	1 3/8	3 3/16	13/32	71.40

Additional Notes

- Please call 1-866-REXNORD for availability
- Lubrication fitting tap size, 1/8 in PT
- Pilot Diameter tolerance, +.000 in/-0.002 in (*+0.00 mm/-0.05 mm*)
- Bore tolerance for mounting, +.002 in/-0.000 in (*+0.05 mm/-0.00 mm*)
- 1 11/16 in thru 2 7/16 in shaft sizes also available with dual contact lip seals, add suffix N
- For the Selection Guide, Load Ratings and Speed Limits, see the Link-Belt 300 Series Heavy Duty Ball Bearings Engineering section on pages 408 - 411.

Note: Dimensions subject to change. Certified dimensions of ordered material furnished on request.

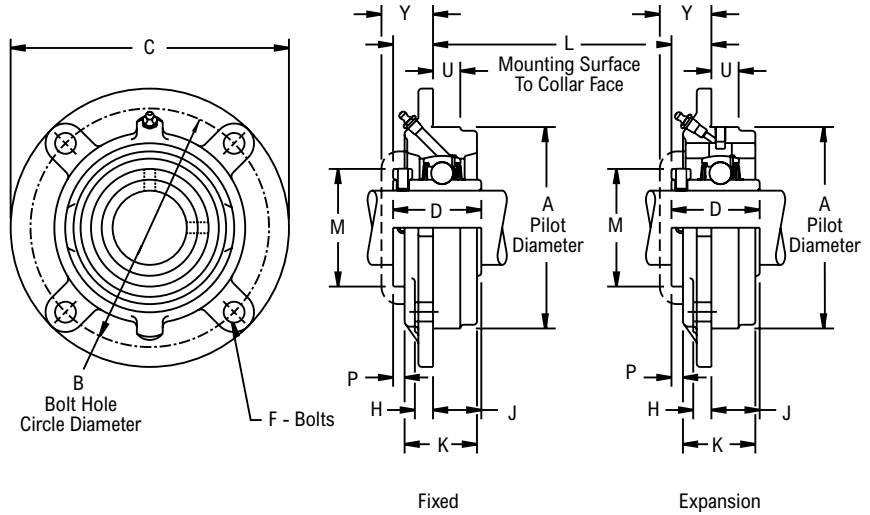
FCU300, FCEU300



Photo Shows a 4-Bolt Ball Bearing Flanged Cartridge Unit

Product Features

- Corrosion-resistant powder coating
- Cast iron housing
- Spring locking setscrew mount
- Fixed or Expansion - Up to 13/32 in expansion
- Alignable & relubricatable
- See Features and Benefits for additional info on page 406.



Bearing Dimensions

Size Code	Shaft Diameter	Expansion	Fixed	A Pilot Diameter	B Bolt Hole Circle Diameter	L Mounting Surface to Collar Face	C	D	F Bolts	H	J	K	M	P	U	Y	Total Axial Expansion	Approx. Weight
		Part Number	Part Number															
316	$\frac{7}{8}$	-	FCU314	3.688	4 $\frac{1}{2}$	$\frac{51}{64}$	5 $\frac{3}{8}$	1 $\frac{43}{64}$	$\frac{3}{8}$	$\frac{7}{16}$	$\frac{7}{8}$	1 $\frac{5}{16}$	2	$\frac{19}{64}$	$\frac{5}{8}$	1 $\frac{3}{64}$	-	4.50
	$\frac{15}{16}$	-	FCU315															
	1	-	FCU316															
319	1 $\frac{1}{8}$	-	FCU318	4.125	5	$\frac{61}{64}$	6	1 $\frac{59}{64}$	$\frac{7}{16}$	$\frac{7}{16}$	$\frac{31}{32}$	1 $\frac{7}{16}$	2 $\frac{5}{16}$	$\frac{25}{64}$	$\frac{5}{8}$	1 $\frac{7}{32}$	-	6.00
	1 $\frac{3}{16}$	-	FCU319															
323	1 $\frac{1}{4}$	FCEU320	FCU320	4.500	5 $\frac{3}{8}$	1	6 $\frac{3}{8}$	2 $\frac{3}{32}$	$\frac{7}{16}$	$\frac{7}{16}$	1 $\frac{3}{32}$	1 $\frac{9}{16}$	2 $\frac{9}{16}$	$\frac{7}{16}$	$\frac{5}{8}$	1 $\frac{1}{4}$	$\frac{1}{4}$	7.50
	1 $\frac{3}{8}$	FCEU322	FCU322															
	1 $\frac{7}{16}$	FCEU323	FCU323															
324	1 $\frac{1}{2}$	FCEU324	FCU324	5.000	6	1 $\frac{9}{64}$	7 $\frac{1}{8}$	2 $\frac{5}{16}$	$\frac{1}{2}$	$\frac{1}{2}$	1 $\frac{11}{64}$	1 $\frac{23}{32}$	3 $\frac{1}{16}$	$\frac{1}{2}$	$\frac{5}{8}$	1 $\frac{23}{64}$	$\frac{1}{4}$	10.00
	1 $\frac{5}{8}$	FCEU326	FCU326															
	1 $\frac{11}{16}$	FCEU327	FCU327															
328	1 $\frac{3}{4}$	FCEU328	FCU328	5.500	6 $\frac{1}{2}$	1 $\frac{19}{64}$	7 $\frac{5}{8}$	2 $\frac{19}{32}$	$\frac{1}{2}$	$\frac{1}{2}$	1 $\frac{19}{64}$	1 $\frac{59}{64}$	3 $\frac{1}{4}$	$\frac{35}{64}$	$\frac{3}{4}$	1 $\frac{19}{32}$	$\frac{1}{4}$	12.20
	1 $\frac{3}{4}$	FCEU328	FCU328															
331	1 $\frac{15}{16}$	FCEU331	FCU331	6.000	7	1 $\frac{27}{64}$	8 $\frac{1}{8}$	2 $\frac{13}{16}$	$\frac{1}{2}$	$\frac{9}{16}$	1 $\frac{25}{64}$	2 $\frac{1}{8}$	3 $\frac{7}{16}$	$\frac{9}{16}$	$\frac{7}{8}$	1 $\frac{23}{32}$	$\frac{1}{4}$	15.00
	2	FCEU332	FCU332															
335	2 $\frac{1}{8}$	FCEU334	FCU334	6.375	7 $\frac{5}{8}$	1 $\frac{17}{32}$	9	3 $\frac{1}{16}$	$\frac{5}{8}$	$\frac{5}{8}$	1 $\frac{17}{32}$	2 $\frac{9}{32}$	3 $\frac{15}{16}$	2 $\frac{1}{32}$	$\frac{15}{16}$	1 $\frac{7}{8}$	$\frac{1}{4}$	19.50
	2 $\frac{3}{16}$	FCEU335	FCU335															
339	2 $\frac{1}{4}$	FCEU336	FCU336	6.875	8 $\frac{1}{8}$	1 $\frac{5}{8}$	9 $\frac{1}{2}$	3 $\frac{5}{16}$	$\frac{5}{8}$	$\frac{5}{8}$	1 $\frac{11}{16}$	2 $\frac{15}{32}$	4 $\frac{3}{16}$	2 $\frac{1}{32}$	$\frac{15}{16}$	2 $\frac{1}{8}$	$\frac{1}{4}$	23.50
	2 $\frac{7}{16}$	FCEU339	FCU339															
344	2 $\frac{11}{16}$	FCEU343	FCU343	7.750	9	1 $\frac{7}{8}$	10 $\frac{3}{8}$	3 $\frac{13}{16}$	$\frac{5}{8}$	$\frac{3}{4}$	1 $\frac{15}{16}$	2 $\frac{27}{32}$	4 $\frac{3}{4}$	$\frac{25}{32}$	1 $\frac{1}{8}$	2 $\frac{1}{4}$	1 $\frac{3}{32}$	32.50
	2 $\frac{3}{4}$	FCEU344	FCU344															
347	2 $\frac{15}{16}$	FCEU347	FCU347	8.250	9 $\frac{1}{2}$	2	10 $\frac{7}{8}$	4 $\frac{3}{32}$	$\frac{5}{8}$	$\frac{3}{4}$	2 $\frac{3}{32}$	3 $\frac{1}{8}$	4 $\frac{15}{16}$	$\frac{3}{4}$	1 $\frac{1}{8}$	2 $\frac{3}{8}$	1 $\frac{3}{32}$	37.00
356	3 $\frac{7}{16}$	FCEU355	FCU355	9.875	11 $\frac{3}{8}$	2 $\frac{13}{32}$	12 $\frac{7}{8}$	4 $\frac{15}{16}$	$\frac{3}{4}$	$\frac{7}{8}$	2 $\frac{17}{32}$	3 $\frac{11}{16}$	6	1	1 $\frac{1}{4}$	2 $\frac{25}{32}$	1 $\frac{3}{32}$	64.00
	3 $\frac{1}{2}$	FCEU356	FCU356															
363	3 $\frac{15}{16}$	FCEU363	FCU363	11.000	12 $\frac{1}{2}$	2 $\frac{25}{32}$	14	5 $\frac{9}{16}$	$\frac{3}{4}$	$\frac{7}{8}$	2 $\frac{25}{32}$	4 $\frac{7}{32}$	7	1 $\frac{3}{32}$	1 $\frac{3}{8}$	3 $\frac{3}{16}$	1 $\frac{3}{32}$	85.00

Additional Notes

- Please call 1-866-REXNORD for availability
- Lubrication fitting tap size: for shaft sizes 1 $\frac{3}{16}$ in and below, 1/4 in-28 UNF: for all other shaft sizes, 1/8 in PT
- Pilot Diameter tolerance, +.000 in/- .002 in (+0.00 mm/-0.05 mm)
- Bore tolerance for mounting, +.002 in/- .000 in (+0.05 mm/-0.00 mm)
- 1 $\frac{1}{8}$ in thru 1 $\frac{7}{16}$ in & 1 $\frac{5}{8}$ in thru 2 $\frac{15}{16}$ in shaft sizes also available with dual contact lip seals, add suffix N

For the Selection Guide, Load Ratings and Speed Limits, see the Link-Belt 300 Series Heavy Duty Ball Bearings Engineering section on pages 408 - 411.
 Note: Dimensions subject to change. Certified dimensions of ordered material furnished on request.

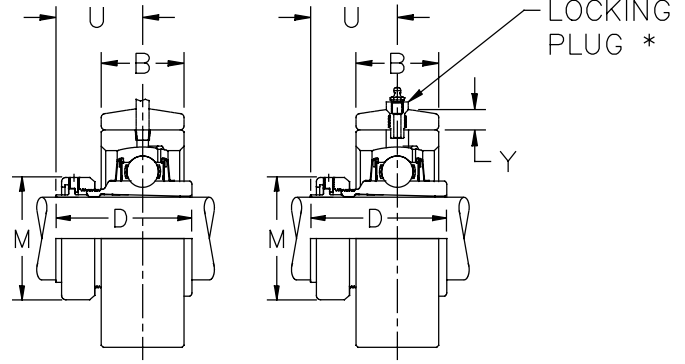
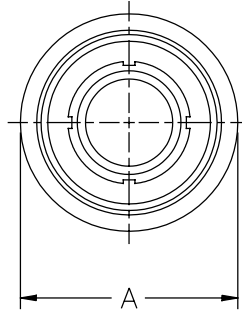
CA300, CEA300



Photo Shows a Ball Bearing Cartridge Unit with Steel Housing

Product Features

- Positive locking system
- Tapered adapter sleeve
- Corrosion-resistant powder coating
- Cast iron housing
- Fixed or Expansion - up to 3/8 in. Expansion
- Alignable & relubricatable
- See Features and Benefits for additional info on page 406.



Bearing Dimensions

Size Code	Shaft Diameter	Expansion		Fixed		A O.D.	B Cartridge Housing Width	D	M	U	Y	Total Axial Expansion	Approx. Weight
		Part Number	Part Number										
319	1 3/16	-	CA319	3.4380	1 3/8	2 3/4	2 5/32	1 63/64	13/32	-	2.68 lb		
323	1 7/16	CEA323	CA323	3.7500	1 1/2	2 47/64	2 3/8	1 29/32	9/16	3/16	3.30 lb		
328	1 11/16	CEA327	CA327	4.5940	1 27/32	3 1/8	2 41/64	2 7/32	9/16	3/16	6.20 lb		
331	1 15/16	CEA331	CA331	5.0000	2 1/32	3 7/32	2 55/64	2 1/8	19/32	1/4	8.00 lb		
335	2 3/16	CEA335	CA335	5.3750	2 3/16	3 23/64	3 15/64	2 9/64	11/16	9/32	10.00 lb		
339	2 7/16	CEA339	CA339	5.7810	2 3/8	3 27/32	3 19/32	2 25/64	23/32	9/32	11.50 lb		
344	2 11/16	CEA343	CA343	6.5620	2 3/4	4 1/4	4 3/32	2 11/16	13/16	7/32	17.00 lb		
	2 3/4	CEA344	CA344										
347	2 15/16	CEA347	CA347	6.9690	3	4 17/32	4 3/32	2 51/64	13/16	7/32	20.00 lb		
351	3 3/16	CEA351	CA351	7.5940	3 3/16	5 1/2	4 61/64	3 11/16	1	11/32	27.00 lb		
356	3 7/16	CEA355	CA355	8.3750	3 9/16	5 23/64	4 61/64	3 21/64	1	11/32	36.00 lb		
363	3 15/16	CEA363	CA363	9.3750	4 1/16	5 29/32	5 43/64	3 5/8	1	11/32	50.00 lb		

Additional Notes

- Please call 1-866-REXNORD for availability
- Lubrication fitting tap size: for expansion units with shaft sizes 2 7/16 in and below, 1/4 in-28 UNF; for other expansion units and all fixed units, 1/8 in PT
- O.D. tolerance, +.000 in/- .002 in (+0.00 mm/-0.05 mm)
- Bore tolerance for mounting, +.002 in/- .000 in (+0.05 mm/-0.00 mm)
- 1 1/8 in thru 1 7/16 in & 1 5/8 in thru 2 15/16 in shaft sizes also available with dual contact lip seals, add suffix N

Locking plug thread sizes: for shaft sizes 2 7/16 in and below, 7/16 in-20 UNF; for all other shaft sizes, 5/8 in-18 UNF

For the Selection Guide, Load Ratings and Speed Limits, see the Link-Belt 300 Series Heavy Duty Ball Bearings Engineering section on pages 408 - 411.

Note: Dimensions subject to change. Certified dimensions of ordered material furnished on request.

CU3K00, CEU3K00

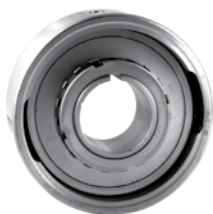
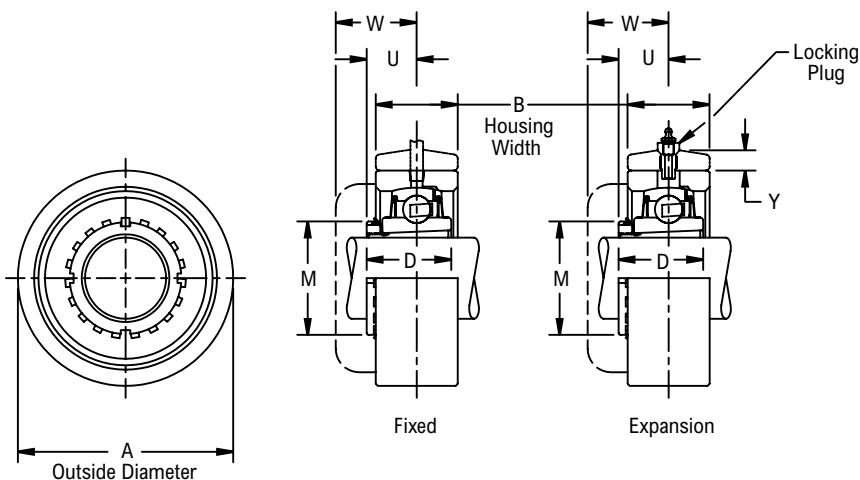


Photo Shows a Ball Bearing Cartridge Unit with Steel Housing

Product Features

- Steel housing
- Enhanced life mounting style
- Fixed or Expansion - Up to 11/32 in expansion
- Alignable & relubricatable
- See Features and Benefits for additional info on page 406.



Bearing Dimensions

Size Code	Shaft Diameter	Expansion	Fixed	A O.D.	B Cartridge Housing Width	D	M	U	W	Y	Total Axial Expansion	Approx. Weight
		Part Number	Part Number									
331	1 11/16	CEU3K27	CU3K27	5.0000	2 1/32	2 17/32	2 11/16	1 35/64	1 31/32	19/32	1/4	7.70
335	1 15/16	CEU3K31	CU3K31	5.3750	2 3/16	2 19/32	2 31/32	1 37/64	2 3/16	11/16	9/32	9.70
344	2 3/16	CEU3K35	CU3K35	6.5620	2 3/4	3 1/32	3 3/8	1 53/64	2 5/8	13/16	7/32	17.00
347	2 7/16	CEU3K39	CU3K39	6.9690	3	3 3/16	3 7/8	1 15/16	2 3/4	13/16	7/32	19.70
351	2 11/16	CEU3K43	CU3K43	7.5940	3 3/16	3 5/16	4 5/32	2	3	1	11/32	26.90
356	2 15/16	CEU3K47	CU3K47	8.3750	3 9/16	3 17/32	4 13/32	2 1/8	3 9/32	1	11/32	35.50
363	3 7/16	CEU3K55	CU3K55	9.3750	4 1/16	3 31/32	5 3/16	2 27/64	3 11/16	1	11/32	49.50

Additional Notes

- Please call 1-866-REXNORD for availability
- Lubrication fitting tap size: for expansion units with shaft sizes 1 15/16 in and below, 1/4 in-28 UNF; for other expansion units and all fixed units, 1/8 in PT
- O.D. tolerance, +.000 in/-0.002 in (+0.00 mm/-0.05 mm)
- Bore tolerance for mounting, +.002 in/-0.000 in (+0.05 mm/-0.00 mm)
- 1 11/16 in thru 2 7/16 in shaft sizes also available with dual contact lip seals, add suffix N
- Locking plug thread sizes: for shaft sizes 1 15/16 in and below, 7/16 in-20 UNF; for all other shaft sizes, 5/8 in-18 UNF

For the Selection Guide, Load Ratings and Speed Limits, see the Link-Belt 300 Series Heavy Duty Ball Bearings Engineering section on pages 408 - 411.
 Note: Dimensions subject to change. Certified dimensions of ordered material furnished on request.

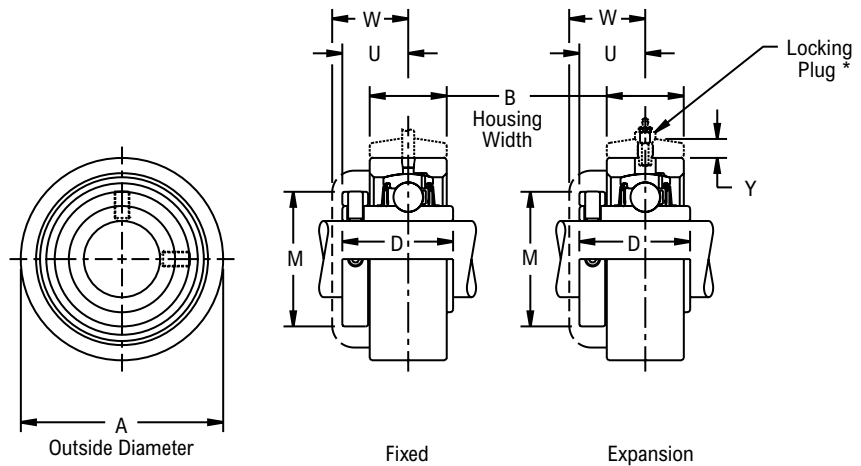
CU300, CEU300



Photo Shows a Ball Bearing Cartridge Unit with Steel Housing

Product Features

- Steel housing
- Spring locking setscrew mount
- Fixed or Expansion - Up to 11/32 in expansion
- Alignable & relubricatable
- See Features and Benefits for additional info on page 406.



Bearing Dimensions

Size Code	Shaft Diameter	Expansion	Fixed	A O.D.	B Cartridge Housing Width	D	M	U	W	Y	Total Axial Expansion	Approx. Weight
		Part Number	Part Number									
316	7/8	CEU314	CU314	3.0000	1 1/4	1 43/64	2	63/64	1 15/64	3/8	3/16	2.00
	15/16	CEU315	CU315									
	1	CEU316	CU316									
319	1 1/8	CEU318	CU318	3.4380	1 3/8	1 59/64	2 5/16	1 9/64	1 13/32	13/32	3/16	2.70
	1 3/16	CEU319	CU319									
323	1 1/4	CEU320	CU320	3.7500	1 1/2	2 3/32	2 9/16	1 1/4	1 1/2	9/16	3/16	3.50
	1 3/8	CEU322	CU322									
324	1 7/16	CEU323	CU323	4.1880	1 21/32	2 5/16	3 1/16	1 25/64	1 39/64	9/16	3/16	5.00
	1 1/2	CEU324	CU324									
328	1 5/8	CEU326	CU326	4.5940	1 27/32	2 19/32	3 1/4	1 35/64	1 27/32	9/16	3/16	6.50
	1 11/16	CEU327	CU327									
	1 3/4	CEU328	CU328									
331	1 15/16	CEU331	CU331	5.0000	2 1/32	2 13/16	3 7/16	1 43/64	1 31/32	19/32	1/4	7.70
335	2	CEU332	CU332	5.3750	2 3/16	3 1/16	3 15/16	1 27/32	2 3/16	11/16	9/32	9.70
	2 1/8	CEU334	CU334									
339	2 3/16	CEU335	CU335	5.7810	2 3/8	3 5/16	4 3/16	1 15/16	2 7/16	23/32	9/32	12.00
	2 1/4	CEU336	CU336									
344	2 7/16	CEU339	CU339	6.5620	2 3/4	3 13/16	4 3/4	2 1/4	2 5/8	13/16	7/32	17.00
	2 11/16	CEU343	CU343									
347	2 3/4	CEU344	CU344	6.9690	3	4 3/32	4 15/16	2 3/8	2 3/4	13/16	7/32	19.70
351	2 15/16	CEU347	CU347	7.5940	3 3/16	4 13/32	5 11/16	2 19/32	3	1	11/32	26.90
	3	CEU348	CU348									
356	3 3/16	CEU351	CU351	8.3750	3 9/16	4 15/16	6	2 29/32	3 9/32	1	11/32	35.50
	3 7/16	CEU355	CU355									
363	3 1/2	CEU356	CU356	9.3750	4 1/16	5 9/16	7	3 9/32	3 11/16	1	11/32	49.50

Additional Notes

- Please call 1-866-REXNORD for availability
- Lubrication fitting tap size: for expansion units with shaft sizes 2 7/16 in and below, 1/4 in-28 UNF; for other expansion units and all fixed units, 1/8 in PT
- O.D. tolerance, +.000 in/- .002 in (+0.00 mm/-0.05 mm)
- Bore tolerance for mounting, +.002 in/- .000 in (+0.05 mm/-0.00 mm)
- 1 1/8 in thru 1 7/16 in & 1 5/8 in thru 2 15/16 in shaft sizes also available with dual contact lip seals, add suffix N

Locking plug thread sizes: for shaft sizes 2 7/16 in and below, 7/16 in-20 UNF; for all other shaft sizes, 5/8 in-18 UNF

For the Selection Guide, Load Ratings and Speed Limits, see the Link-Belt 300 Series Heavy Duty Ball Bearings Engineering section on pages 408 - 411.

Note: Dimensions subject to change. Certified dimensions of ordered material furnished on request.

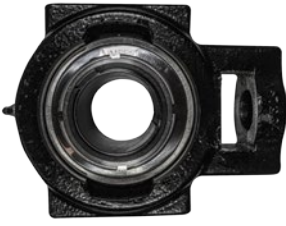
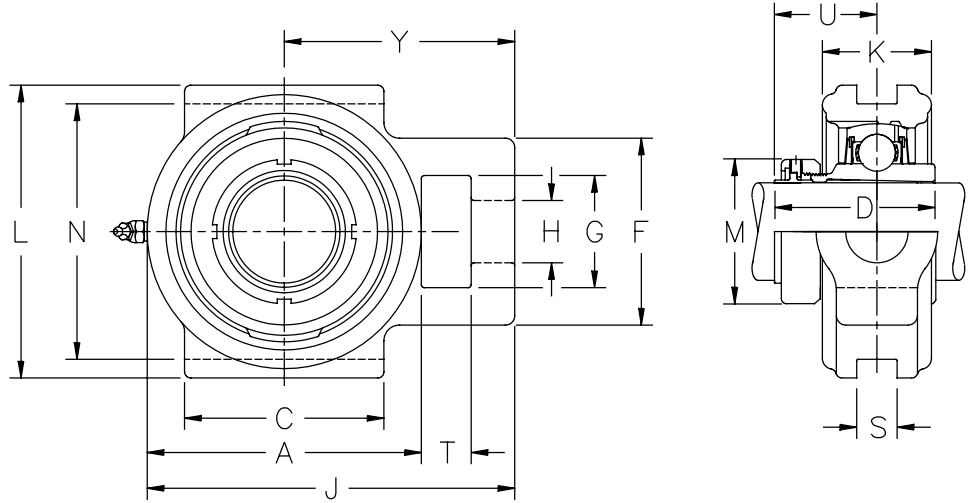


Photo Shows a Ball Bearing Take-Up Unit

Product Features

- Positive locking system
- Tapered adapter sleeve
- Corrosion-resistant powder coating
- Cast iron housing
- Fixed or Expansion - up to 3/8 in. Expansion
- Alignable & relubricatable
- See Features and Benefits for additional info on page 406.



Bearing Dimensions

Size Code	Shaft Diameter	Part Number	H Adjusting Screw Hole Diameter	N Slot Spacing	S Slot Width	A	C	D	F	G	J	K	L	M	T	U	Y	Approx. Weight
323	1 7/16	TA323	7/8	3.500	0.531	4	2 3/4	2 47/64	2 3/8	1 7/16	5 1/4	1 5/8	4 1/8	2 3/8	5/8	1 29/32	3 1/4	5.00 lb
331	1 15/16	TA331	1 1/4	5.125	0.812	5 1/2	4	3 7/32	3 3/4	2 1/4	7 3/8	2 3/16	5 7/8	2 55/64	1	2 1/8	4 5/8	13.50 lb
335	2 3/16	TA335	1 1/4	5.500	0.812	5 13/16	4 1/8	3 23/64	3 3/4	2 1/4	7 3/4	2 3/8	6 1/4	3 15/64	1	2 9/64	4 27/32	16.00 lb
339	2 7/16	TA339	1 3/8	6.000	1.062	6 1/4	4 1/2	3 27/32	4 1/8	2 1/2	8 5/8	2 9/16	6 3/4	3 19/32	1 3/8	2 25/64	5 7/16	20.00 lb
347	2 15/16	TA347	1 5/8	7.500	1.312	8	5 3/4	4 17/32	4 3/4	2 3/4	10 1/2	3 1/4	8 1/4	4 3/32	1 1/4	2 51/64	6 1/2	38.00 lb

Additional Notes

- Please call 1-866-REXNORD for availability
- Lubrication fitting tap size, 1/8 in PT
- Take-up slot spacing & width tolerance, +.000 in/-0.015 in (+0.00 mm/-0.38 mm)
- 1 1/8 in thru 1 7/16 in & 1 5/8 in thru 2 15/16 in shaft sizes also available with dual contact lip seals, add suffix N
- For the Selection Guide, Load Ratings and Speed Limits, see the Link-Belt 300 Series Heavy Duty Ball Bearings Engineering section on pages 408 - 411.
- Note: Dimensions subject to change. Certified dimensions of ordered material furnished on request.

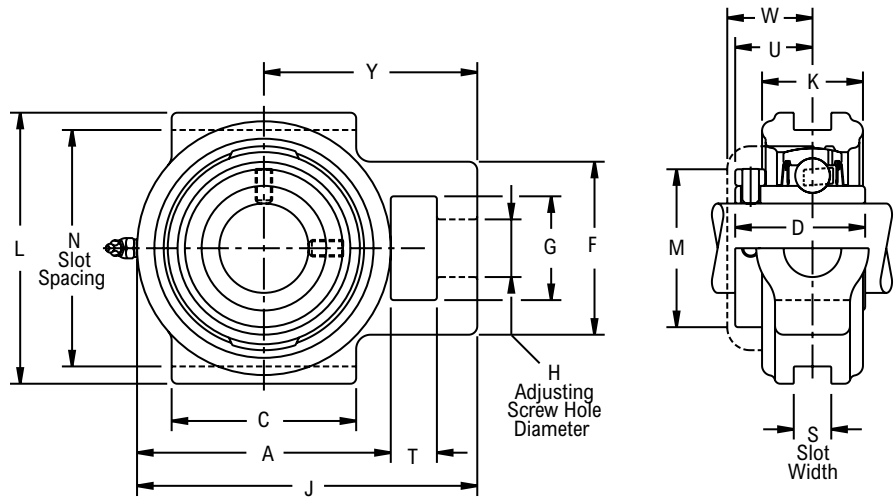
TU300



Photo Shows a Ball Bearing Take-Up Unit

Product Features

- Corrosion-resistant powder coating
- Cast iron housing
- Spring locking setscrew mount
- Alignable & relubricatable
- Machined slots
- See Features and Benefits for additional info on page 406.



Bearing Dimensions

Size Code	Shaft Diameter	Part Number	H Adjusting Screw Hole Diameter	N Slot Spacing	S Slot Width	A	C	D	F	G	J	K	L	M	T	U	W	Y	Approx. Weight
316	7/8	TU314	3/4	3.000	0.531	3 5/16	2 1/4	1 43/64	2	1 1/4	4 3/8	1 3/8	3 5/8	2	5/8	63/64	1 15/64	2 3/4	3.20
	15/16	TU315																	
	1	TU316																	
323	1 1/4	TU320	7/8	3.500	0.531	4	2 3/4	2 3/32	2 3/8	1 7/16	5 1/4	1 5/8	4 1/8	2 9/16	5/8	1 1/4	1 1/2	3 1/4	5.50
	1 3/8	TU322																	
	1 7/16	TU323																	
331	1 15/16	TU331	1 1/4	5.125	0.812	5 1/2	4	2 13/16	3 3/4	2 1/4	7 3/8	2 3/16	5 7/8	3 7/16	1	1 43/64	1 31/32	4 5/8	13.70
	2	TU332																	
335	2 1/8	TU334	1 1/4	5.500	0.812	5 13/16	4 1/8	3 1/16	3 3/4	2 1/4	7 3/4	2 3/8	6 1/4	3 15/16	1	1 27/32	2 3/16	4 27/32	17.20
	2 3/16	TU335																	
339	2 1/4	TU336	1 3/8	6.000	1.062	6 1/4	4 1/2	3 5/16	4 1/8	2 1/2	8 5/8	2 9/16	6 3/4	4 3/16	1 3/8	1 15/16	2 7/16	5 7/16	20.00
	2 7/16	TU339																	
347	2 15/16	TU347	1 5/8	7.500	1.312	8	5 3/4	4 3/32	4 3/4	2 3/4	10 1/2	3 1/4	8 1/4	4 15/16	1 1/4	2 3/8	2 3/4	6 1/2	37.50

Additional Notes

- Please call 1-866-REXNORD for availability
- Lubrication fitting tap size, 1/8 in PT
- Take-up slot spacing & width tolerance, +.000 in/- .015 in (+0.00 mm/-0.38 mm)
- 1 1/8 in thru 1 7/16 in & 1 5/8 in thru 2 15/16 in shaft sizes also available with dual contact lip seals, add suffix N
- For the Selection Guide, Load Ratings and Speed Limits, see the Link-Belt 300 Series Heavy Duty Ball Bearings Engineering section on pages 408 - 411.
- Note: Dimensions subject to change. Certified dimensions of ordered material furnished on request.

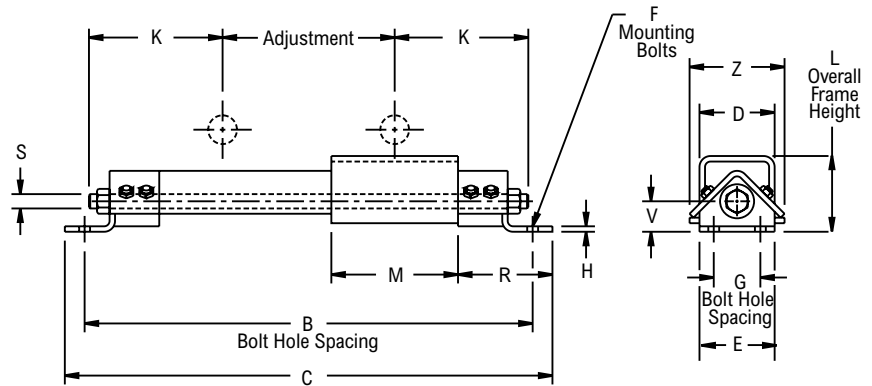
LHD FRAME



Photo Shows a Protected Screw Type Frame

Product Features

- Protected screw type frame
- Welded steel frame



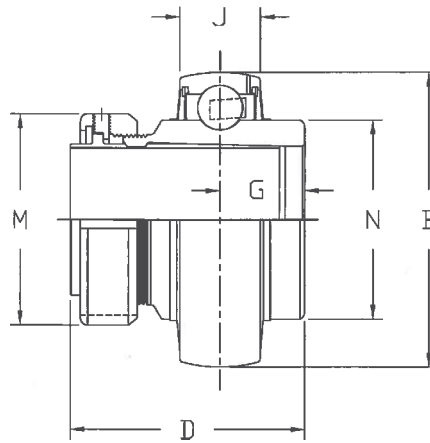
Bearing Dimensions

Size Code	Shaft Size	Part Number	Adjustment Length	B Bolt Hole Spacing	G Bolt Hole Spacing in Width Direction	L Overall Frame Height	C	D	E	F	H	K	M	R	S	V	Z	Approx. Weight
LHD20	7/8-1 15/16	LHD2012	12	29	2 1/2	5 1/4	31	4	5	5/8	1/4	8 1/2	11	4	3/4	2	6 1/4	48.00
		LHD2018	18	35			37											52.00
		LHD2024	24	41			43											56.00
		LHD2030	30	47			49											65.00
		LHD2036	36	53			55											70.00
		LHD2048	48	65			67											81.00
LHD25	2-2 3/16	LHD2512	12	32 3/4	3	6 1/4	35 1/4	5	5 1/2	5/8	3/8	10 3/8	13 1/4	5	1	2 9/16	7 1/8	81.00
		LHD2518	18	38 3/4			41 1/4											100.00
		LHD2524	24	44 3/4			47 1/4											110.00
		LHD2530	30	50 3/4			53 1/4											115.00
		LHD2536	36	56 3/4			59 1/4											120.00
		LHD2548	48	68 3/4			71 1/4											127.00
LHD30	2 1/4-2 7/16	LHD3012	12	35 1/2	3	7	38 1/4	6	6 1/2	3/4	1/2	11 3/4	14 1/4	6	1	2 1/2	9	158.00
		LHD3018	18	41 1/2			44 1/4											162.00
		LHD3024	24	47 1/2			50 1/4											166.00
		LHD3030	30	53 1/2			56 1/4											173.00
		LHD3036	36	59 1/2			62 1/4											183.00
		LHD3048	48	71 1/2			74 1/4											214.00
LHD35	2 11/16-3 3/16	LHD3512	12	37 1/4	3	7	40	6	6 1/2	3/4	1/2	12 5/8	16	6	1 1/4	2 1/2	9	173.00
		LHD3518	18	43 1/4			46											190.00
		LHD3524	24	49 1/4			52											195.00
		LHD3530	30	55 1/4			58											200.00
		LHD3536	36	61 1/4			64											210.00
		LHD3548	48	73 1/4			76											234.00
LHD40	3 7/16-3 15/16	LHD4012	12	41 1/4	3	7	44	7	6 1/2	3/4	1/2	14 5/8	20	6	1 1/2	2 1/2	9 13/16	175.00
		LHD4018	18	47 1/4			50											220.00
		LHD4024	24	53 1/4			56											265.00
		LHD4030	30	59 1/4			62											270.00
		LHD4036	36	65 1/4			68											290.00
		LHD4048	48	77 1/4			80											300.00

Additional Notes

Please call 1-866-REXNORD for availability
 Note: Dimensions subject to change. Certified dimensions of ordered material furnished on request.

AG300L



Product Features

- Positive locking system
- Tapered adapter sleeve
- Enhanced life mounting style
- Sealed & relubricatable
- Alignable spherical O.D.
- See Features and Benefits for additional info on page 406.

Bearing Dimensions

Size Code	Shaft Diameter	Part Number	B O.D.	J Outer Ring Width	D	G	M	N	Approx. Weight
319	1 ³ / ₁₆	AG319L	2.8346	0.9449	2 ³ / ₄	²⁵ / ₃₂	2 ⁵ / ₃₂	1.708	1.50
323	1 ⁷ / ₁₆	AG323L	3.1496	1.0236	2 ⁴⁷ / ₆₄	²⁷ / ₃₂	2 ³ / ₈	1.946	1.90
328	1 ¹¹ / ₁₆	AG327L	3.937	1.1811	3 ¹ / ₈	⁵⁹ / ₆₄	2 ⁴¹ / ₆₄	2.443	3.80
331	1 ¹⁵ / ₁₆	AG331L	4.3307	1.2598	3 ⁷ / ₃₂	1 ⁹ / ₆₄	2 ⁵⁵ / ₆₄	2.701	5.00
335	2 ³ / ₁₆	AG335L	4.7244	1.3386	3 ²³ / ₆₄	1 ⁷ / ₃₂	3 ¹⁵ / ₆₄	2.959	6.00
339	2 ⁷ / ₁₆	AG339L	5.1181	1.4173	3 ²⁷ / ₃₂	1 ³ / ₈	3 ¹⁹ / ₃₂	3.216	7.50
344	2 ¹¹ / ₁₆	AG343L	5.9055	1.6142	4 ¹ / ₄	1 ⁹ / ₁₆	4 ³ / ₃₂	3.732	11.50
	2 ³ / ₄	AG344L							
347	2 ¹⁵ / ₁₆	AG347L	6.2992	1.6929	4 ¹⁷ / ₃₂	1 ²³ / ₃₂	4 ³ / ₃₂	3.990	13.00
351	3 ³ / ₁₆	AG351L	6.6929	1.7717	5 ¹ / ₂	1 ¹³ / ₁₆	4 ⁶¹ / ₆₄	4.247	17.00
356	3 ⁷ / ₁₆	AG355L	7.4806	1.9291	5 ²³ / ₆₄	2 ¹ / ₃₂	4 ⁶¹ / ₆₄	4.763	23.50
363	3 ¹⁵ / ₁₆	AG363L	8.4646	2.1654	5 ²⁹ / ₃₂	2 ⁹ / ₃₂	5 ⁴³ / ₆₄	5.339	33.00

Additional Notes

- Please call 1-866-REXNORD for availability
- 1 11/16 in thru 2 7/16 in shaft sizes also available with dual contact lip seals, add suffix N
- For the Selection Guide, Load Ratings and Speed Limits, see the Link-Belt 300 Series Heavy Duty Ball Bearings Engineering section on pages 408 - 411.
- Note: Dimensions subject to change. Certified dimensions of ordered material furnished on request.

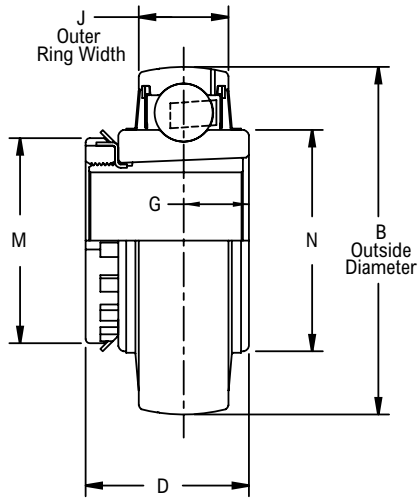
UG3K00L



Photo Shows an Unmounted Ball Bearing Unit

Product Features

- Enhanced life mounting style
- Sealed & relubricatable
- Alignable spherical O.D.
- See Features and Benefits for additional info on page 406.



Bearing Dimensions

Size Code	Shaft Diameter	Part Number	B O.D.	J Outer Ring Width	D	G	M	N	Approx. Weight
331	1 11/16	UG3K27L	4.3307	1.2598	2 19/32	31/32	2 11/16	2.702	5.70
335	1 15/16	UG3K31L	4.7244	1.3386	2 13/16	1	2 31/32	2.959	6.60
344	2 3/16	UG3K35L	5.9055	1.6142	3 1/16	1 3/16	3 3/8	3.732	11.50
347	2 7/16	UG3K39L	6.2992	1.6929	3 5/16	1 1/4	3 7/8	3.990	14.40
351	2 11/16	UG3K43L	6.6929	1.7717	3 13/16	1 5/16	4 5/32	4.247	21.50
356	2 15/16	UG3K47L	7.4806	1.9291	4 3/32	1 13/32	4 13/32	4.763	23.50
363	3 7/16	UG3K55L	8.4646	2.1654	4 15/16	1 9/16	5 3/16	5.339	33.00

Additional Notes

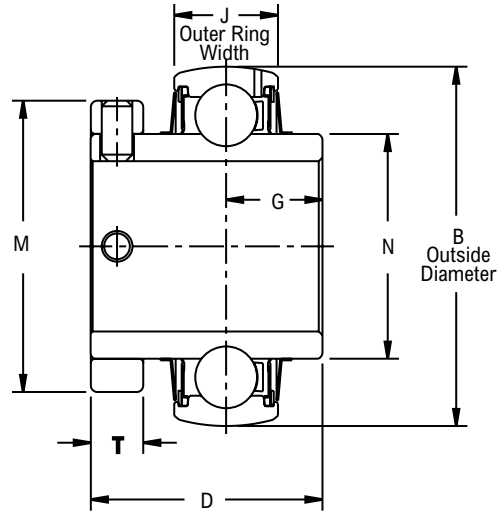
- Please call 1-866-REXNORD for availability
- 1 11/16 in thru 2 7/16 in shaft sizes also available with dual contact lip seals, add suffix N
- For the Selection Guide, Load Ratings and Speed Limits, see the Link-Belt 300 Series Heavy Duty Ball Bearings Engineering section on pages 408 - 411.
- Note: Dimensions subject to change. Certified dimensions of ordered material furnished on request.

UG300L


Photo Shows an Unmounted Ball Bearing Unit

Product Features

- Spring locking setscrew mount
- Sealed & relubricatable
- Alignable spherical O.D.
- See Features and Benefits for additional info on page 406.


Bearing Dimensions

Size Code	Shaft Diameter	Part Number	B O.D.	J Outer Ring Width	D	G	M	N	T	Approx. Weight
316	$\frac{7}{8}$	UG314L	2.4409	0.8661	$1 \frac{43}{64}$	$\frac{11}{16}$	2	1.451	$\frac{13}{32}$	1.50
	$\frac{15}{16}$	UG315L								
	1	UG316L								
319	$1 \frac{1}{8}$	UG318L	2.8346	0.9449	$1 \frac{59}{64}$	$\frac{25}{32}$	$2 \frac{5}{16}$	1.708	$\frac{1}{2}$	1.70
	$1 \frac{3}{16}$	UG319L								
323	$1 \frac{1}{4}$	UG320L	3.1496	1.0236	$2 \frac{3}{32}$	$\frac{27}{32}$	$2 \frac{9}{16}$	1.946	$\frac{1}{2}$	2.10
	$1 \frac{3}{8}$	UG322L								
	$1 \frac{7}{16}$	UG323L								
324	$1 \frac{1}{2}$	UG324L	3.5433	1.1024	$2 \frac{5}{16}$	$\frac{59}{64}$	$3 \frac{1}{16}$	2.204	$\frac{9}{16}$	2.90
	$1 \frac{5}{8}$	UG326L								
	$1 \frac{11}{16}$	UG327L								
328	$1 \frac{3}{4}$	UG328L	3.9370	1.1811	$2 \frac{19}{32}$	$1 \frac{3}{64}$	$3 \frac{1}{2}$	2.443	$\frac{5}{8}$	3.95
	$1 \frac{7}{8}$	UG329L								
331	$1 \frac{15}{16}$	UG331L	4.3307	1.2598	$2 \frac{13}{16}$	$1 \frac{9}{64}$	$3 \frac{7}{16}$	2.701	$\frac{21}{32}$	4.70
	2	UG332L								
335	$2 \frac{1}{8}$	UG334L	4.7244	1.3386	$3 \frac{1}{16}$	$1 \frac{7}{32}$	$3 \frac{15}{16}$	2.959	$\frac{3}{4}$	6.60
	$2 \frac{3}{16}$	UG335L								
339	$2 \frac{1}{4}$	UG336L	5.1181	1.4173	$3 \frac{5}{16}$	$1 \frac{3}{8}$	$4 \frac{3}{16}$	3.216	$\frac{3}{4}$	7.95
	$2 \frac{7}{16}$	UG339L								
344	$2 \frac{11}{16}$	UG343L	5.9055	1.6142	$3 \frac{13}{16}$	$1 \frac{9}{16}$	$4 \frac{3}{4}$	3.732	$\frac{7}{8}$	11.50
	$2 \frac{3}{4}$	UG344L								
347	$2 \frac{15}{16}$	UG347L	6.2992	1.6929	$4 \frac{3}{32}$	$1 \frac{23}{32}$	$4 \frac{15}{16}$	3.990	$\frac{7}{8}$	13.00
351	3	UG348L	6.6929	1.7717	$4 \frac{13}{32}$	$1 \frac{13}{16}$	$5 \frac{11}{16}$	4.247	1	18.00
	$3 \frac{3}{16}$	UG351L								
356	$3 \frac{7}{16}$	UG355L	7.4806	1.9291	$4 \frac{15}{16}$	$2 \frac{1}{32}$	6	4.763	$1 \frac{1}{8}$	23.50
	$3 \frac{1}{2}$	UG356L								
363	$3 \frac{15}{16}$	UG363L	8.4646	2.1654	$5 \frac{9}{16}$	$2 \frac{9}{32}$		5.339	$1 \frac{1}{4}$	33.00

Additional Notes

- Please call 1-866-REXNORD for availability
- $1 \frac{1}{8}$ in thru $1 \frac{7}{16}$ in & $1 \frac{5}{8}$ in thru $2 \frac{15}{16}$ in shaft sizes also available with dual contact lip seals, add suffix N
- For the Selection Guide, Load Ratings and Speed Limits, see the Link-Belt 300 Series Heavy Duty Ball Bearings Engineering section on pages 408 - 411.
- Note: Dimensions subject to change. Certified dimensions of ordered material furnished on request.

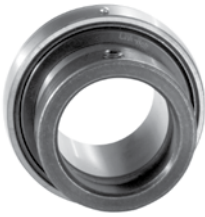
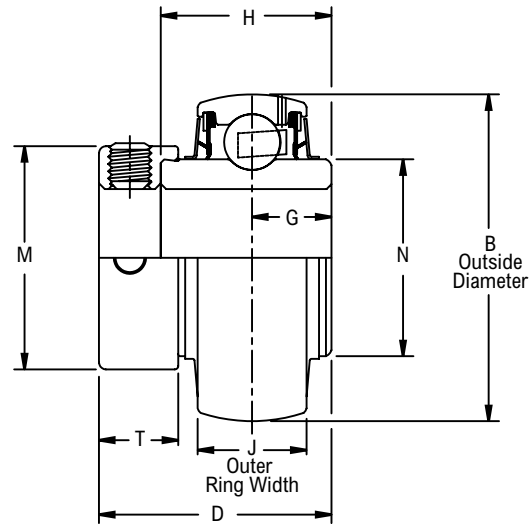


Photo Shows an Unmounted Ball Bearing Unit

Product Features

- Eccentric cam locking device
- Sealed & relubricatable
- Alignable spherical O.D.
- See Features and Benefits for additional info on page 406.

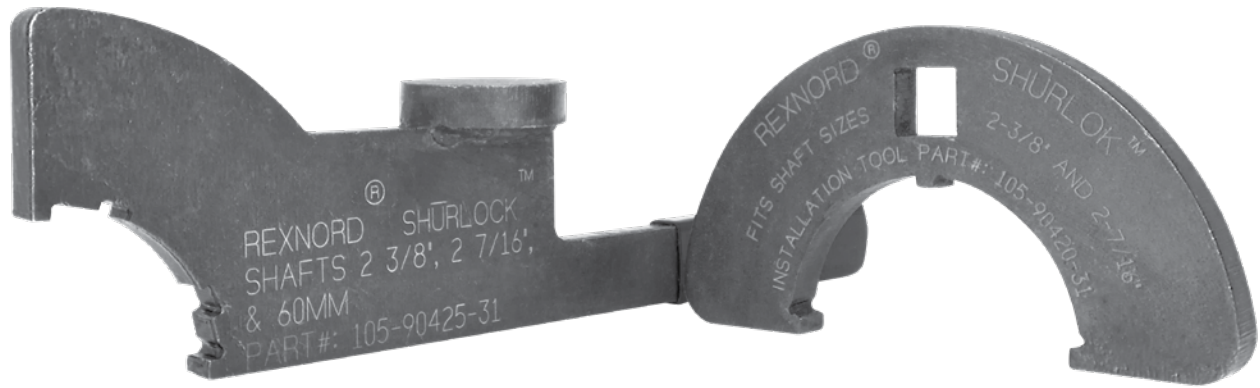


Bearing Dimensions

Size Code	Shaft Diameter	Part Number	B O.D.	J Outer Ring Width	D	G	H	M	N	T	Approx. Weight
319	1 3/16	YG319NL	2.8346	0.9449	2 1/32	25/32	1.48	1 15/16	1.708	11/16	1.70
323	1 7/16	YG323NL	3.1496	1.0236	2 5/32	27/32	1.62	2 3/16	1.946	11/16	2.10
328	1 11/16	YG327NL	3.9370	1.1811	2 9/16	1 3/64	1.94	2 3/4	2.443	13/16	3.95
331	1 15/16	YG331NL	4.3307	1.2598	2 25/32	1 9/64	2.08	3	2.701	7/8	4.70
335	2 3/16	YG335NL	4.7244	1.3386	2 15/16	1 7/32	2.24	3 1/4	2.959	7/8	6.60
339	2 7/16	YG339NL	5.1181	1.4173	3 5/32	1 3/8	2.47	3 1/2	3.216	15/16	7.95
344	2 11/16	YG343NL	5.9055	1.6142	3 9/16	1 9/16	2.74	4	3.732	1 1/16	11.50
347	2 15/16	YG347NL	6.2992	1.6929	3 15/16	1 23/32	2.93	4 7/16	3.990	1 1/4	13.00

Additional Notes

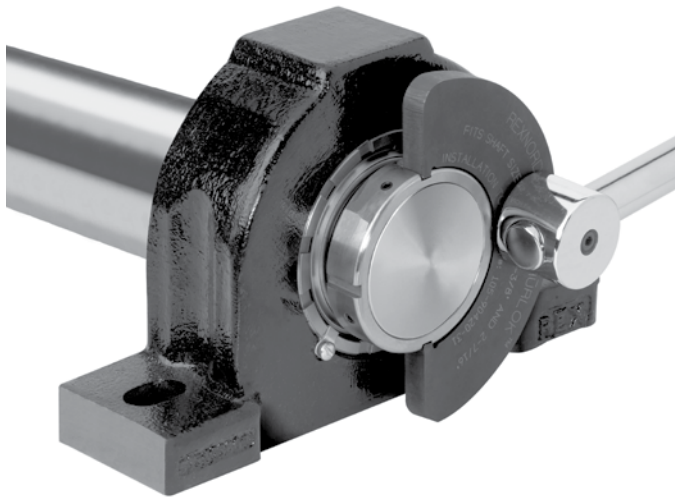
- Please call 1-866-REXNORD for availability
- N dual contact lip seals standard
- For the Selection Guide, Load Ratings and Speed Limits, see the Link-Belt 300 Series Heavy Duty Ball Bearings Engineering section on pages 408 - 411.
- Note: Dimensions subject to change. Certified dimensions of ordered material furnished on request.



SHURLOK Installation Tools

We are pleased to offer a quick installation tool for the SHURLOK bearing. This tool is designed as a supplement to the spanner wrench or drift pin method. The installation tool can be attached to a 3/4" or 1/2" drive ratchet, torque wrench, or breaker bar which can be used as a lever arm. Simply fit the installation tool over the locknut by placing the tool's teeth into the locknut slots. The tool's unique shape allows it to be used from the side or the top of the bearing. To order, refer to the table below for the installation tool that fits your shaft size.

Bearing Size	Wrench Style Installation Tool Part Number	Impact Style Installation Tool Part Number
323	N6107-SPN	N6107-IMP
327	N6111-SPN	N6111-IMP
331	105-90420-11	105-90425-11
335	105-90420-21	105-90425-21
339	105-90420-31	105-90425-31
343/344/347	105-90420-41	105-90425-41
351/355	105-90420-51	105-90425-51
363	105-90420-61	105-90425-61





BALL BEARINGS

Units: Klean-Gard

CONTENTS

PAGE

Features and Benefits	436
Nomenclature	437
Engineering	438
Dimensions	
Klean-Gard Pillow Blocks	441
Klean-Gard Flange Blocks	442
Klean-Gard Accessory Kits	445

INDUSTRIES SERVED

Food and Beverage



Klean-Gard Ball Bearings

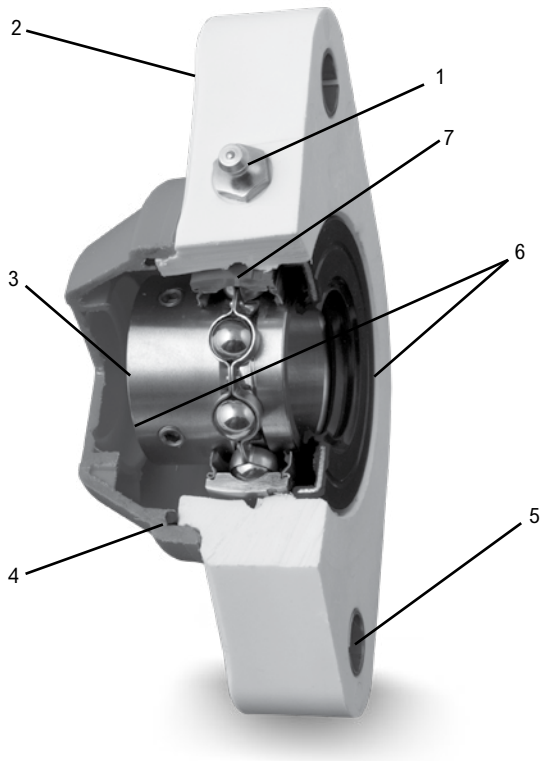
For Beverage & Food Conveying Applications

Klean-Gard

Available in polypropylene (white) housings with stainless steel inserts. Housing styles available in pillow blocks, 2-bolt, 3-bolt & 4-bolt flanges. Snap-on cap (open or closed) available. Solid-back housings are designed to inhibit the growth of bacteria, mold, and mildew that may cause discoloration, odor, or degradation.

Always maintain good hygiene; proper cleaning procedures are still required.

Interchangeable with cast iron units. Beverage bearing configuration available upon request, add the prefix "W."



1. Corrosion Resistant Fittings for Relubrication

Bearing insert factory prelubricated with food-grade grease.

2. Reinforced Housing Material

Rugged, reinforced housing material available in Polypropylene (white) for extreme corrosion resistance.

3. Inch or Metric Shaft Sizes Available

4. Auxiliary Caps

Both open and closed auxiliary safety caps fit tightly to the machined housing and are sealed with heavy duty O-rings.

5. Stainless Steel Bushings and Washers

AISI 316 stainless steel spacer bushing and washer for trouble-free, positive mounting.

6. Rotary Shaft Seals

Front and rear auxiliary rotary shaft seals provided with spring loaded double lip seal to guard critical bearing components and prevent conveyor contamination.

7. Stainless Steel Ball Bearings

Alignable, high capacity, stainless steel ball bearing mounted with setscrews to the shaft. Integral bearing lip seals.



Klean-Gard Nomenclature

Symbol	Description	KL	FX	SS	2	E	20	DC	V
KL	Polypropylene (White) housing material	_____							
W	Beverage unit with water drainage features								
F	Flanged unit, 4-bolt								
FB	Flanged bracket unit, 3-bolt								
FX	Flanged unit, 2-bolt		_____						
P	Pillow block, standard backing								
SS	Extended inner ring, stainless steel insert, molded lip seals			_____					
2	Series 200 ball bearing designation				_____				
E	Inner ring bore equal to a bore of the next larger bearing group					_____			
20	Shaft size in sixteenths of an inch						_____		
M30	Shaft size in millimeters							_____	
None	Open end unit, basic unit								
C	Closed end unit, no auxiliary seals								
D	Open end unit, end cap with seal and rear auxiliary dual lip seal								
DC	Closed end unit, end cap and rear auxiliary dual lip seal							_____	
E	Rear auxiliary dual lip seal								
V	Viton auxiliary seals								_____
K4	100% Grease filled								
K6	Lubed for Life								

Klean-Gard Ball Bearings Selection Guide

To select a bearing, determine the applied radial load, the applied thrust load, the desired Rating Life, and applicable operating conditions. The procedure shown here will aid in selecting a bearing to meet an L₁₀ design life. The formulas for calculating life expectancy should be used to determine the Rating Life L₁₀ for the bearing selected.

The selection procedures and rating formulas shown here are in agreement with The American Bearing Manufacturers Association Standards and ANSI/ABMA Standards STD 9-1990. Ratings are based on fatigue life. The Rating Life or fatiguelife at 90% reliability is the usual basis for bearing selection.

Steps for Selection

Step 1

Determine an appropriate L₁₀ design life.

Type of service	Operating time, hours per year	Design life, years	L ₁₀ design life, hours
Light seasonal usage	500 to 750	3-5	3,000
Heavy seasonal usage	1,400 to 1,600	4-6	8,000
Industrial—8 hour shift	2,000	10	20,000

Step 2

Determine a required $\left(\frac{C}{P}\right)$ from Table 1.

Step 3

Calculate the required C and select a ball bearing.

a For radial load only:

$$P = F_r$$

$$\text{required } C = \left(\frac{C}{P}\right)P \text{ using } \left(\frac{C}{P}\right) \text{ from Step 2}$$

Select a ball bearing from Table 3 with a basic load rating C equal to or greater than the required C.

b For combined radial and thrust loads when $\frac{F_a}{F_r}$ is 0.19 or less:

$$P = F_r$$

$$\text{required } C = \left(\frac{C}{P}\right)P \text{ using } \left(\frac{C}{P}\right) \text{ from Step 2}$$

Select a ball bearing from Table 3 with a basic load rating C equal to or greater than the required C.

Series S200 and SS200 are extended on one side only for compactness and low cost. In combination with its companion line of economically designed housings, this series is applicable to light or moderate duty requirements. Also, economically designed housings must be applied within proportionate load limits.

To assure a satisfactory bearing application, fitting practice, mounting, lubrication, sealing, static rating, housing strength, operating conditions and maintenance must be considered.

Step 3 (continued)

c For combined radial and thrust loads when $\frac{F_a}{F_r}$ is greater than 0.19, use the following trial method:

$$\text{Maximum } P = .56F_r + 2.30F_a$$

$$\text{Maximum required } C = \left(\frac{C}{P}\right)P \text{ using } \left(\frac{C}{P}\right) \text{ from Step 2}$$

Select a trial ball bearing with a basic load rating C from Table 3 approximately equal to the maximum required C.

With this trial bearing calculate: $\frac{F_a}{Nd^2}$

Determine X and Y from Table 2.

Calculate P for the trial bearing.

$$P = XF_r + YF_a$$

$$\text{required } C = \left(\frac{C}{P}\right)P \text{ for the trial bearing using } \left(\frac{C}{P}\right) \text{ from Step 2}$$

Consult Table 3, basic load rating. If a smaller bearing meets or nearly meets the required C, its life expectancy can be calculated.

Note: If the load P is greater than .15C for series S200 and SS200, consult Rexnord Bearing Products.

Selection

Symbols for formulas:

C = basic load rating, pounds (or newtons)	n = speed, revolutions per minute
Co = static load rating, pounds (or newtons)	P = equivalent radial load, pounds (or newtons)
e = a reference value	X = radial factor
Fa = thrust load, pounds (or newtons)	Y = thrust factor
Fr = radial load, pounds (or newtons)	
L10 = rating life, hours	

Table 1 • Relation of L10 life and speed to $\left(\frac{C}{P}\right)$

Bearing life, hours L10	$\left(\frac{C}{P}\right)$ ratio									
	Speed, n									
	50	100	200	300	400	500	600	700	800	
3000	2.08	2.62	3.30	3.77	4.15	4.47	4.75	5.01	5.23	
4000	2.29	2.88	3.63	4.15	4.57	4.92	5.23	5.51	5.76	
5000	2.46	3.10	3.91	4.47	4.92	5.30	5.64	5.93	6.20	
6000	2.62	3.30	4.15	4.75	5.23	5.64	5.99	6.30	6.59	
8000	2.88	3.63	4.57	5.23	5.76	6.20	6.59	6.94	7.25	
10000	3.10	3.91	4.92	5.64	6.20	6.68	7.10	7.47	7.81	
12000	3.30	4.15	5.23	5.99	6.59	7.10	7.54	7.94	8.30	
14000	3.47	4.37	5.51	6.30	6.94	7.47	7.94	8.36	8.74	
16000	3.63	4.57	5.76	6.59	7.25	7.81	8.30	8.74	9.14	
18000	3.77	4.75	5.99	6.86	7.54	8.13	8.63	9.09	9.50	
20000	3.91	4.92	6.20	7.10	7.81	8.42	8.94	9.41	9.84	
25000	4.21	5.30	6.68	7.65	8.42	9.07	9.63	10.1	10.6	
30000	4.47	5.64	7.10	8.13	8.94	9.63	10.2	10.8	11.3	
35000	4.71	5.93	7.47	8.55	9.41	10.1	10.8	11.3	11.9	
40000	4.92	6.20	7.81	8.94	9.84	10.6	11.3	11.9	12.4	
45000	5.12	6.45	8.13	9.30	10.2	11.0	11.7	12.3	12.9	
50000	5.30	6.68	8.42	9.63	10.6	11.4	12.1	12.8	13.4	
60000	5.64	7.10	8.94	10.2	11.3	12.1	12.9	13.6	14.2	
70000	5.93	7.47	9.41	10.8	11.9	12.8	13.6	14.3	14.9	
80000	6.20	7.81	9.84	11.3	12.4	13.4	14.2	14.9	15.6	
90000	6.45	8.13	10.2	11.7	12.9	13.9	14.8	15.5	16.2	
100000	6.68	8.42	10.6	12.1	13.4	14.4	15.3	16.1	16.8	
150000	7.65	9.63	12.1	13.9	15.3	16.5	17.5	18.4	19.3	
200000	8.42	10.6	13.4	15.3	16.8	18.1	19.3	20.3	21.2	

	Speed, n									
	900	1000	1200	1500	1800	2400	3600	6000	10000	
	3000	5.44	5.64	5.99	6.45	6.86	7.54	8.63	10.2	12.1
4000	5.99	6.20	6.59	7.10	7.54	8.30	9.50	11.3	13.4	
5000	6.45	6.68	7.10	7.65	8.13	8.94	10.2	12.1	14.4	
6000	6.86	7.10	7.54	8.13	8.63	9.50	10.9	12.9	15.3	
8000	7.54	7.81	8.30	8.94	9.50	10.5	12.0	14.2	16.8	
10000	8.13	8.42	8.94	9.63	10.2	11.3	12.9	15.3	18.1	
12000	8.63	8.94	9.50	10.2	10.9	12.0	13.7	16.2	19.3	
14000	9.09	9.41	10.0	10.8	11.4	12.6	14.4	17.1	20.3	
16000	9.50	9.84	10.5	11.3	12.0	13.2	15.1	17.9	21.2	
18000	9.88	10.2	10.9	11.7	12.4	13.7	15.7	18.6	22.0	
20000	10.2	10.6	11.3	12.1	12.9	14.2	16.2	19.3	22.8	
25000	11.0	11.4	12.1	13.1	13.9	15.3	17.5	20.7	24.6	
30000	11.7	12.1	12.9	13.9	14.8	16.2	18.6	22.0	26.1	
35000	12.3	12.8	13.6	14.6	15.5	17.1	19.6	23.2	27.5	
40000	12.9	13.4	14.2	15.3	16.2	17.9	20.5	24.3	28.7	
45000	13.4	13.9	14.8	15.9	16.9	18.6	21.3	25.2	29.9	
50000	13.9	14.4	15.3	16.5	17.5	19.3	22.0	26.1	31.0	
60000	14.8	15.3	16.2	17.5	18.6	20.5	23.4	27.8	32.9	
70000	15.5	16.1	17.1	18.4	19.6	21.5	24.6	29.2	34.6	
80000	16.2	16.8	17.9	19.3	20.5	22.5	25.8	30.5	36.2	
90000	16.9	17.5	18.6	20.0	21.3	23.4	26.8	31.8	37.7	
100000	17.5	18.1	19.3	20.7	22.0	24.3	27.8	32.9	39.0	
150000	20.0	20.7	22.0	23.7	25.2	27.8	31.8	37.7	44.6	
200000	22.0	22.8	24.3	26.1	27.8	30.5	35.0	41.4	49.1	

Basic formula

$$\left(\frac{C}{P}\right) = \left(\frac{L_{10} \times n \times 60}{1,000,000}\right)^{1/3}$$

$$L_{10} = \frac{\left(\frac{C}{P}\right)^3 \times 1,000,000}{n \times 60}$$

Life Expectancy

To calculate the Rating Life L10 of any selected or trial bearing:

Step 1 Determine the equivalent radial load P.

- a For radial load only:
P = Fr
- b For combined radial and thrust load:
P = XFr + YFa using X and Y from Table 2 below.

Step 2 Calculate the ratio of basic load rating C to the equivalent radial load.

$$\left(\frac{C}{P}\right)$$

Step 3 Approximate the bearing life from Table 1.

Table 2 • X and Y factors for ball bearings

Fa Nd ²	e	Fa Fr ≤ e		Fa Fr > e	
		X	Y	X	Y
25	.19	1.0	0	.56	2.30
37.5	.21	1.0	0	.56	2.15
50	.22	1.0	0	.56	1.99
75	.24	1.0	0	.56	1.85
100	.26	1.0	0	.56	1.71
125	.27	1.0	0	.56	1.63
150	.28	1.0	0	.56	1.56
200	.30	1.0	0	.56	1.45
300	.34	1.0	0	.56	1.31
500	.38	1.0	0	.56	1.15
750	.42	1.0	0	.56	1.04
1000	.44	1.0	0	.56	1.00

For values between those in the table linear interpolation can be used.

Life Adjustment

The Rating Life, L10, may be modified for some applications in accordance with the formula

$$L'n = a_1 a_2 a_3 L_{10}$$

where L'n = Adjusted life for (100-n) % reliability,

a1 = Life adjustment factor for reliability

a2 = Life adjustment factor for material and processing

a3 = Life adjustment factor for operating conditions.

For most normal applications, all factors will be taken as 1, and the Rating Life used as the selection basis or life estimate. In addition, as long as standard catalog bearings are used, a2 will be normally set equal to one. The factor a3 covers such things as lubrication, misalignment, and temperature. Some conditions that could yield a3 significantly different than unity include speeds less than 20000 DN or greater than 200000 DN, temperatures below -40°F (-40°C) or above 275°F (135°C). For other possible conditions, as well as additional information on life adjustment factors, consult Rexnord Bearing Products.

Table 3 • Load ratings, speed limits and ball data

Size Code	C Basic Load Rating		Co Static Load Rating		Approximate Speed Limit RPM*	d Ball diameter inches	N Number of balls	Nd ²
	pounds	newtons	pounds	newtons				
204	2870	12,800	1480	6,590	7500	5/16	8	.781
205	3150	14,000	1760	7,830	6800	5/16	9	.879
206	4390	19,500	2530	11,300	5600	3/8	9	1.27
207	5810	25,800	3440	15,300	4800	7/16	9	1.72
208	7330	32,600	4460	19,900	4500	1/2	9	2.25

If the load P is greater than 15% of C rating for S200 and SS200, consult Rexnord Bearing Products.

For S200 and SS200 Series, reduce C Basic Load Rating by 23%.

*Based on grease lubrication and moderate load.

Table 4 • Radial load ratings in pounds at various RPM for appropriate L10 life hours

Size Code	L10 Minimum life, hours	Radial Load Ratings, Pounds/Speed, RPM																			
		50	100	200	300	400	500	600	700	800	900	1000	1200	1500	1800	2000	2500	3000	3500	4000	5000
204	8000	996	791	627	548	498	462	435	413	395	380	367	345	321	302	291	270	254	242	231	215
	20000	734	582	462	404	367	341	321	304	291	280	270	254	236	222	215	199	187	178	170	158
	40000	582	462	367	321	291	270	254	242	231	222	215	202	187	176	170	158	149	141	135	125
	100000	429	341	270	236	215	199	187	178	170	164	158	149	138	130	125	116	110	104	100	92
205	8000	1095	869	690	603	548	508	478	454	435	418	403	380	352	332	320	297	280	266	254	236
	20000	807	640	508	444	403	375	352	335	320	308	297	280	260	244	236	219	206	196	187	174
	40000	640	508	403	352	320	297	280	266	254	244	236	222	206	194	187	174	164	155	149	138
	100000	472	375	297	260	236	219	206	196	187	180	174	164	152	143	138	128	121	115	110	102
206	8000	1523	1209	960	838	762	707	665	632	605	581	561	528	490	461	445	413	389	370	354	328
	20000	1122	891	707	618	561	521	490	466	445	428	413	389	361	340	328	305	287	272	260	242
	40000	891	707	561	490	445	413	389	370	354	340	328	309	287	270	260	242	228	216	207	192
	100000	656	521	413	361	328	305	287	272	260	250	242	228	211	199	192	178	168	159	152	141
207	8000	2015	1599	1269	1109	1007	935	880	836	799	769	742	698	648	610	589	547	515	489	468	434
	20000	1484	1178	935	817	742	689	648	616	589	566	547	515	478	450	434	403	379	360	344	320
	40000	1178	935	742	648	589	547	515	489	468	450	434	408	379	357	344	320	301	286	273	254
	100000	868	689	547	478	434	403	379	360	344	331	320	301	279	263	254	236	222	211	201	187
208	8000	2542	2017	1601	1399	1271	1180	1110	1055	1009	970	936	881	818	770	743	690	649	617	590	548
	20000	1873	1486	1180	1031	936	869	818	777	743	715	690	649	603	567	548	508	478	454	435	403
	40000	1486	1180	936	818	743	690	649	617	590	567	548	515	478	450	435	403	380	361	345	320
	100000	1095	869	690	603	548	508	478	454	435	418	403	380	352	332	320	297	280	266	254	236

Operation in the high speed shaded areas requires frequent relubrication.

Heavy lines define recommended speed ranges of bearing and seal variations.

If the load P is greater than 15% of C rating for S200 and SS200, consult Rexnord Bearing Products.

KLPSS200

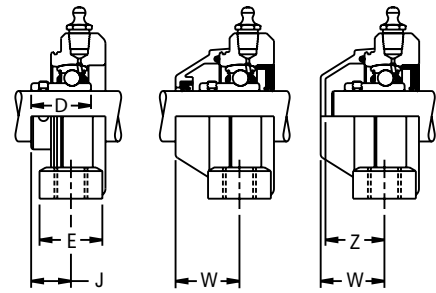
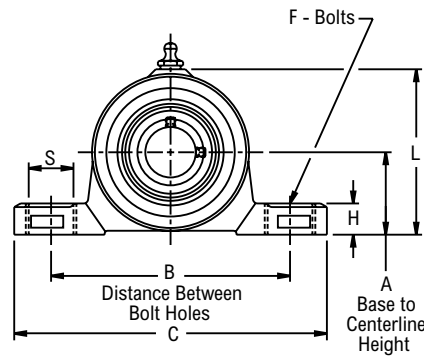
Interchange: P2BSCEZ, SUCP200-PBT, KAS



Photo Shows a 2-Bolt Ball Bearing Pillow Block Unit with Stainless Steel Insert and Polypropylene Housing

Product Features

- Reinforced Polypropylene housing
- Stainless steel bearing insert
- Stainless steel bushing & washers
- Alignable & relubricatable
- Spring locking setscrew mount
- Prelubricated with food grade grease
- See Features and Benefits for additional info on page 436.



Basic Unit	Open Unit with Auxiliary Seals	Closed Unit with End Cap and Seal
KLP-SS200	KLP-SS200D	KLP-SS200DC

Bearing Dimensions

Size Code	Shaft Diameter	Polypropylene		A Base to Centerline Height	B Distance Between Bolt Holes	C	D	E	F Bolts	H	J	L	S	W	Z	Approx. Weight
		Part Number														
204	3/4	KLPSS212		1 5/16	3 25/32	5 1/32	1 1/8	1 3/16	3/8	43/64	3/4	3 1/32	7/8	1 7/32	1 1/8	1.50
	20.00	KLPSS2M20		33.30	96.00	128.00	28.58	30.00	10.00	17.00	19.00	77.00	22.00	30.80	28.80	0.68
205	1	KLPSS216		1 7/16	4 11/64	5 31/64	1 3/16	1 23/64	3/8	43/64	13/16	3 11/32	7/8	1 9/32	1 13/64	1.80
	25.00	KLPSS2M25		36.50	106.00	140.00	30.17	34.50	10.00	17.00	20.60	85.00	22.00	32.70	30.70	0.80
206	1 3/16	KLPSS219		1 11/16	4 49/64	6 27/64	1 11/32	1 27/64	1/2	25/32	61/64	3 55/64	15/16	1 3/8	1 19/64	1.80
	1 1/4	KLPSS2E20														
	30.00	KLPSS2M30		42.90	121.00	163.00	34.13	36.00	12.00	20.00	24.20	98.00	24.00	35.00	33.00	0.80
207	1 1/4	KLPSS220		1 7/8	4 31/32	6 37/64	1 9/16	1 33/64	1/2	25/32	1 7/64	4 1/4	15/16	1 9/16	1 15/32	2.00
	1 3/8	KLPSS222														
	35.00	KLPSS2M35														
208	1 1/2	KLPSS224		2	5 11/32	7 9/32	1 11/16	1 33/64	1/2	25/32	1 13/64	4 13/32	15/16	1 41/64	1 9/16	2.20
	40.00	KLPSS2M40														

Additional Notes

- Please call 1-866-REXNORD for availability
- Lubrication fitting tap size, Rp 1/8" parallel thread per ISO 7/1 latest revision
- Note: 1/8" PT external thread will not fit
- Polypropylene housings furnished with nitrile rubber seals, o-ring & AISI 316 stainless steel bushings and washers
- For the Selection Guide, Load Ratings and Speed Limits, see the Klean-Gard & Dura-Klean Ball Bearings Engineering section on pages 438 - 440.

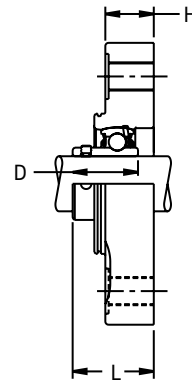
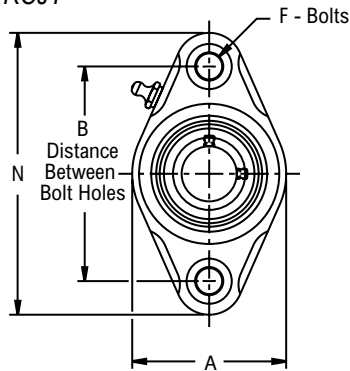
Note: Dimensions subject to change. Certified dimensions of ordered material furnished on request.

KLFXSS200

Interchange: F2BSCEZ, SUCFT200-PBT, KCJT



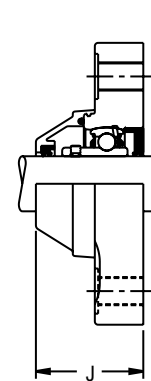
Photo Shows a 2-Bolt Ball Bearing Flanged Unit with Stainless Steel Insert and Polypropylene Housing



Mounting Surface to Inner Ring Hub Face

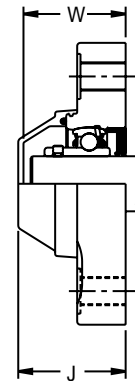
Basic Unit

KLFX-SS200



Open Unit with Auxiliary Seals

KLFX-SS200D



Closed Unit with End Cap and Seal

KLFX-SS200DC

Product Features

- Reinforced Polypropylene housing
- Stainless steel bearing insert
- Stainless steel bushing & washers
- Spring locking setscrew mount
- Alignable & relubricatable
- Prelubricated with food grade grease
- See Features and Benefits for additional info on page 436.

Bearing Dimensions

Size Code	Shaft Diameter	Polypropylene	B Distance Between Bolt Holes	L Mounting Surface to Inner Ring Hub Face	A	D	F Bolts	H	J	N	W	Approx. Weight
		Part Number										
204	³ / ₄	KLFXSS212	3.54	1 ²³ / ₆₄	2 ⁷ / ₁₆	1 ¹ / ₈	⁷ / ₁₆	⁵¹ / ₆₄	1 ¹³ / ₁₆	4 ⁹ / ₁₆	1 ¹¹ / ₁₆	0.90
	20.00	KLFXSS2M20	90.00	34.30	62.00	28.58	11.00	20.00	46.00	116.00	43.00	0.41
205	1	KLFXSS216	3.90	1 ¹⁵ / ₃₂	2 ¹³ / ₁₆	1 ³ / ₁₆	⁷ / ₁₆	⁷ / ₈	1 ⁵⁷ / ₆₄	5 ¹ / ₈	1 ⁷ / ₈	1.00
	25.00	KLFXSS2M25	99.00	37.30	71.00	30.17	11.00	22.50	49.50	130.00	47.50	0.45
206	^{1 3} / ₁₆	KLFXSS219	4.61	1 ³ / ₄	3 ¹¹ / ₃₂	1 ¹¹ / ₃₂	⁷ / ₁₆	1 ¹ / ₆₄	2 ¹¹ / ₆₄	5 ⁵³ / ₆₄	2 ³ / ₃₂	1.25
	^{1 1} / ₄	KLFXSS2E20										
	30.00	KLFXSS2M30										
207	^{1 1} / ₄	KLFXSS220	5.12	1 ⁷ / ₈	3 ²¹ / ₃₂	1 ⁹ / ₁₆	⁷ / ₁₆	1 ¹ / ₆₄	2 ²¹ / ₆₄	6 ³ / ₈	2 ¹ / ₄	1.50
	^{1 3} / ₈	KLFXSS222										
	^{1 7} / ₁₆	KLFXSS223										
208	^{1 1} / ₂	KLFXSS224	5.67	2 ¹ / ₁₆	4 ¹ / ₆₄	1 ¹¹ / ₁₆	⁷ / ₁₆	1 ³ / ₁₆	2 ³⁷ / ₆₄	6 ⁵⁹ / ₆₄	2 ¹⁵ / ₃₂	2.00
	40.00	KLFXSS2M40	144.00	52.40	102.00	42.87	11.00	30.00	65.50	176.00	62.50	0.90

Additional Notes

- Please call 1-866-REXNORD for availability
- Lubrication fitting tap size, Rp 1/8" parallel thread per ISO 7/1 latest revision
- Note: 1/8" PT external thread will not fit
- Polypropylene housings furnished with nitrile rubber seals, o-ring & AISI 316 stainless steel bushings and washers

For the Selection Guide, Load Ratings and Speed Limits, see the Klean-Gard & Dura-Klean Ball Bearings Engineering section on pages 438 - 440.

Note: Dimensions subject to change. Certified dimensions of ordered material furnished on request.

KLFSS200

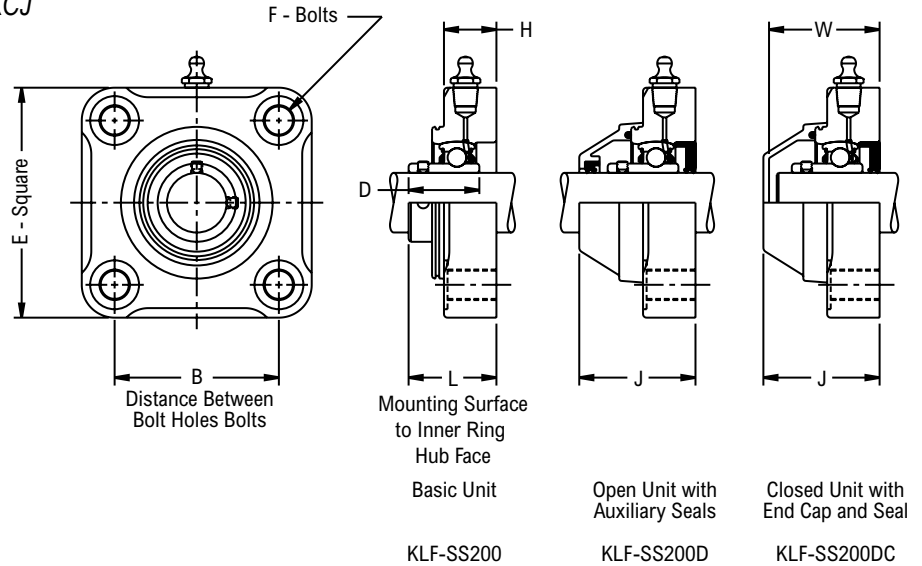
Interchange: F4BSCEZ, SUCF200-PBT, KCJ



Photo Shows a 4-Bolt Ball Bearing Flanged Unit with Stainless Steel Insert and Polypropylene Housing

Product Features

- Reinforced Polypropylene housing
- Stainless steel bearing insert
- Stainless steel bushing & washers
- Spring locking setscrew mount
- Alignable & relubricatable
- Prelubricated with food grade grease
- See Features and Benefits for additional info on page 436.



Bearing Dimensions

Size Code	Shaft Diameter	Polypropylene		B Distance Between Bolt Holes	L Mounting Surface to Inner Ring Hub Face	D	E	F Bolts	H	J	W	Approx. Weight
		Part Number										
205	1	KLFSS216		2.76	1 ¹⁵ / ₃₂	1 ³ / ₁₆	3 ⁵⁵ / ₆₄	7/16	7/8	1 ⁶¹ / ₆₄	1 ⁷ / ₈	0.90
	25.00	KLFSS2M25		70.00	37.30	30.17	98.00	11.00	22.50	49.50	47.50	0.41
206	1 ³ / ₁₆	KLFSS219		3.27	1 ³ / ₄	1 ¹¹ / ₃₂	4 ²¹ / ₆₄	7/16	1 ¹ / ₆₄	2 ¹¹ / ₆₄	2 ³ / ₃₂	1.40
	1 ¹ / ₄	KLFSS2E20										
	30.00	KLFSS2M30		83.00	44.20	34.13	110.00	11.00	26.00	55.00	53.00	0.63
207	1 ¹ / ₄	KLFSS220		3.62	1 ⁷ / ₈	1 ⁹ / ₁₆	4 ²³ / ₃₂	7/16	1 ¹ / ₆₄	2 ²¹ / ₆₄	2 ¹ / ₄	1.90
	1 ³ / ₈	KLFSS222										
	1 ⁷ / ₁₆	KLFSS223										
	35.00	KLFSS2M35		92.00	47.70	39.67	120.00	11.00	26.00	59.00	57.00	0.86
208	1 ¹ / ₂	KLFSS224		4.02	2 ¹ / ₁₆	1 ¹¹ / ₁₆	5 ⁵ / ₃₂	7/16	1 ³ / ₁₆	2 ³⁷ / ₆₄	2 ¹⁵ / ₃₂	2.50
	40.00	KLFSS2M40		102.00	52.40	42.87	131.00	11.00	30.00	65.50	62.50	1.13

Additional Notes

- Please call 1-866-REXNORD for availability
- Lubrication fitting tap size, Rp 1/8" parallel thread per ISO 7/1 latest revision
- Note: 1/8" PT external thread will not fit
- Polypropylene housings furnished with nitrile rubber seals, o-ring & AISI 316 stainless steel bushings and washers

For the Selection Guide, Load Ratings and Speed Limits, see the Klean-Gard & Dura-Klean Ball Bearings Engineering section on pages 438 - 440.
Note: Dimensions subject to change. Certified dimensions of ordered material furnished on request.

KLFBS200

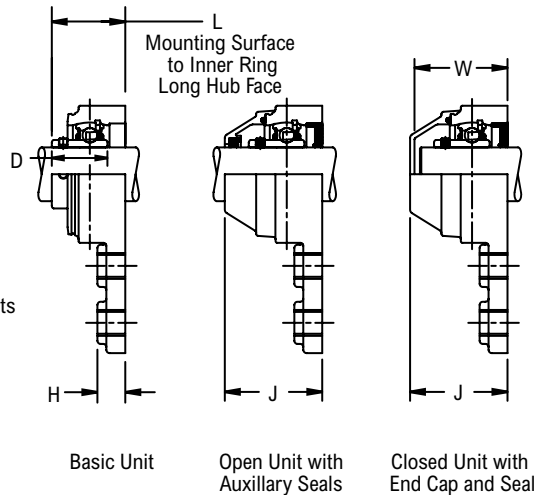
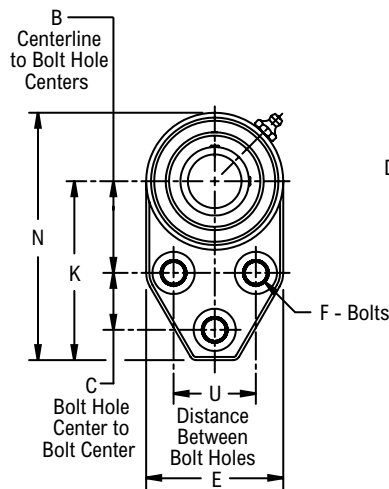
Interchange: FBSCEZ, SUCFB200-PBT



Photo Shows a 3-Bolt Ball Bearing Flanged Bracket Unit with Stainless Steel Insert and Polypropylene Housing

Product Features

- Reinforced Polypropylene housing
- Stainless steel bearing insert
- Stainless steel bushing & washers
- Spring locking setscrew mount
- Alignable & relubricatable
- Prelubricated with food grade grease
- See Features and Benefits for additional info on page 436.



Basic Unit
KLFB-SS200

Open Unit with
Auxillary Seals
KLFB-SS200D

Closed Unit with
End Cap and Seal
KLFB-SS200DC

Bearing Dimensions

Size Code	Shaft Diameter	Polypropylene	B Centerline to Bolt Hole Center	C Bolt Hole Center to Bolt Center	L Mounting Surface to Inner Ring	U Distance Between Bolt Holes	D	E	F Bolts	H	J	K	N	W	Approx. Weight
		Part Number													
205	1	KLFBS216	1 13/16	1 1/8	1 17/32	1 5/8	1 3/16	2 23/32	7/16	9/16	2 1/64	3 17/32	4 57/64	1 15/16	0.60
	25.00	KLFBS2M25	46.00	28.58	38.90	41.28	30.17	69.00	11.00	14.00	51.20	89.80	124.00	49.20	0.27
206	1 3/16	KLFBS219	2 1/16	1 1/4	1 3/4	1 7/8	1 11/32	3 13/64	7/16	9/16	2 11/64	3 55/64	5 15/32	2 3/32	1.10
	1 1/4	KLFBS2E20													
	30.00	KLFBS2M30	52.40	31.70	44.20	47.60	34.13	81.00	11.00	14.00	55.20	97.90	139.00	53.20	0.50
207	1 1/4	KLFBS220	2 3/8	1 1/4	1 7/8	2	1 9/16	3 11/16	7/16	9/16	2 21/64	4 15/64	6 5/64	2 1/4	1.60
	1 3/8	KLFBS222													
	35.00	KLFBS2M35	60.30	31.70	47.70	50.80	39.67	94.00	11.00	14.00	59.10	107.60	154.00	57.20	0.72

Additional Notes

- Please call 1-866-REXNORD for availability
- Lubrication fitting tap size, Rp 1/8" parallel thread per ISO 7/1 latest revision
- Note: 1/8" PT external thread will not fit
- Polypropylene housings furnished with nitrile rubber seals, o-ring & AISI 316 stainless steel bushings and washers

For the Selection Guide, Load Ratings and Speed Limits, see the Klean-Gard & Dura-Klean Ball Bearings Engineering section on pages 438 - 440.
Note: Dimensions subject to change. Certified dimensions of ordered material furnished on request.



Rear Auxiliary Seal



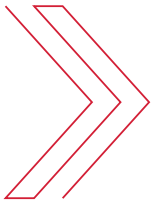
Open Cap with Seal & O-ring



Closed Cap with O-ring

Klean-Gard Accessory Kit Part Numbers

Size Code	Shaft Size	Basic Callout	Kit Rear Seal Buna	Kit Rear Seal Viton	Kit Closed Cap	Kit Open Cap Buna Shaft Seal	Kit Open Cap Viton Shaft Seal
204	$\frac{3}{4}$	212	K212E	KL212E	K2126	K2126D	KL2126D
	20 mm	2M20	K2M20E	KL2M20E	K2126	K2M206D	KL2M20D
205	1	216	K216E	KL216E	K2166	K2166D	KL2166D
	25 mm	2M25	K2M25E	KL2M25E	K2166	K2M256D	KL2M25D
206	$1 \frac{3}{16}$	219	K219E	KL219E	K2196	K2196D	KL2196D
	$1 \frac{1}{4}$	2E20	K2E20E	KL2E20E	K2196	K2E206D	KL2E206D
	30 mm	2M30	K2M30E	KL2M30E	K2196	K2M306D	KL2M306D
207	$1 \frac{1}{4}$	220	K220E	KL220E	K2236	K2206D	KL2206D
	$1 \frac{3}{8}$	222	K222E	KL222E	K2236	K2226D	KL2226D
	$1 \frac{7}{16}$	223	K223E	KL223E	K2236	K2236D	KL2236D
	35 mm	2M35	K2M35E	KL2M35E	K2236	K2M356D	KL2M356D
208	$1 \frac{1}{2}$	224	K224E	KL224E	K2256	K2246D	KL2246D
	40 mm	2M40	K2M40E	KL2M40E	K2256	K2M406D	KL2M406D



CYLINDRICAL ROLLER BEARINGS

Link-Belt

CONTENTS

PAGE

Features and Benefits	448
Nomenclature	449
Engineering	450
Dimensions	
Single Row	467
Double Row	475

INDUSTRIES SERVED

Heavy-Duty Truck
Fluid Handling
Off-Highway Vehicles
Military
Oil/Natural Gas
Steel



Series M1000, 1200, 1300, 1900, 5200, 5300, 6200, 7300 Cylindrical Roller Bearings

Metric series cylindrical roller bearings are manufactured to ABMA boundary dimensions. These bearings require minimum space and provide maximum rated capacity. Various configurations including separable inner or outer ring combinations offer ample application flexibility.



High Quality Rings

Rings of high quality bearing steel for strength, toughness and durability.

Microfinished Raceways Assure Smooth Operations

Optimized Raceway Contact Area

Exclusive honed crown on roller profile for optimized raceway contact area and high capacity.

Positive Roller Spacing

- Structural design segmented retainer provides high strength, positive roller spacing and guidance.
- One-piece formed Steel Retainer provides positive roller spacing and controlled roller guidance.

Polymeric Retainer

Polymeric retainer of glass fiber reinforced nylon 6/6 provides full roller guidance, superior lubrication and reduced noise.

Segmented Retainers

Rigid structural design segmented Steel Retainer provides high strength, positive roller spacing and guidance.

All contact surfaces are contoured to minimize the wiping action between retainer segments and rollers, assuring full roller lubrication. Precision spacer segments contact the rollers above and below pitch diameter resulting in low friction loss and positive roller control.



Polymeric Retainers

Made of glass fiber reinforced nylon 6/6, molded polymeric retainers provide close control of roller "drop," low noise, full roller guidance and superior lubrication, at a competitive price.

Extensive testing has established compatibility with a broad range of standard lubricants and satisfactory operation at sustained temperatures to 275°F.



Formed Steel Retainers

One-piece deep coined formed Steel Retainer combines strength with positive roller spacing and roller guidance.

The retainer guides the rollers below the pitch line and provides control of roller drop. Line contact of rollers on guidance surfaces minimizes wiping action and promotes hydrodynamic lubrication.



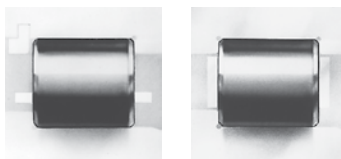
Optional Series and Configurations

Series M cylindrical roller bearings are available in seven series with segmented retainers, five series with formed Steel Retainers, several series with polymeric retainers, and five series of the full roller complement type. Various configurations, including separable inner or outer ring combinations are offered.



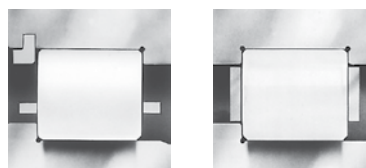
Rollers

Exclusively crowned honed rollers provide optimized contact at the raceway. This assures efficient bearing performance under load, provides controlled stress distribution under all loads within the design capacity and compensates for shaft deflection.



Rings

Rings are manufactured from high quality bearing steel to enhance fatigue resistance, strength, toughness and hardenability.



Bearings and ring and roller assemblies for omitted-ring applications are ABMA standard boundary plan for bore, outside diameter, and width... standard tolerances are RBEC-1. Precision tolerances to RBEC-5 are available.

Nomenclature

Symbol	Description	M	A	1	2	05	GEA	X	C0	
M	Metric series designation									
A	Plain cylindrical inner ring									
R	Single rib inner ring									
SN	Short, single rib w/inner ring side plate									
U	Double rib inner ring									
S	Metric bore size of next smaller bearing									
None	Standard capacity									
6	High capacity series									
1	Narrow width									
5	Wide width									
7	Intermediate width									
0	Extra light series									
2	Light series									
3	Medium series									
9	Extra extra light series									
05	One-fifth of bore diameter (mm)									
G	Snap ring groove in outer ring O.D.									
GG	Two snap ring grooves in outer ring O.D.									
R	Snap ring groove in outer ring O.D. snap ring included									
RR	Two snap ring grooves in outer ring O.D.; snap rings included									
C	Plain cylindrical outer ring									
D	Single rib outer ring									
E	Double rib outer ring									
SN	Short single rib w/outer ring side plate									
T	Outer ring w/two retaining rings in I.D.									
U	Single rib outer ring, one retaining ring in I.D.									
A	Oversize O.D. outer ring									
H	Blind dowel hole in outer ring O.D.									
X	Segmented retainer									
M	Full complement (no retainer)									
V	Formed Steel Retainer									
B	Polymeric retainer									
Wxxx	This suffix specifies special bearing features									
None	Standard commercial clearance									
C2	Less than basic clearance									
C0	Basic clearance									
C3	Greater than basic clearance									
C4	Greater than C3 clearance									
C5	Greater than standard clearance (STANDARD FOR ASSEMBLY WITH "A" OUTER RING AND OMITTED IN MODEL NUMBER)									
Cxxx	Special specific clearance or range—i.e. /C002 or /C35-49 or C3549									

Cylindrical Roller Bearings Selection Guide

To select a bearing, determine the applied radial load, any applied thrust load, the desired Rating Life, and applicable operating conditions. The procedure shown here will aid in selecting a bearing to meet an L₁₀ design life. The formulas for calculating life expectancy should be used to determine the Rating Life L₁₀ for the bearing selected. Cylindrical roller bearings are available in various series with cylindrical bores for direct shaft mounting.

Bearings in several series may fulfill the L₁₀ life requirements. Speed limits, minimum shaft diameters, arrangement requirements and space limitations may be determining factors in final bearing selection. The selection procedures and rating formulas shown here are in agreement with The American Bearing Manufacturers Association Standards and ANSI/ABMA STD 11. Ratings are based on fatigue life. The Rating Life L₁₀ or fatigue life at 90% reliability is the usual basis for bearing selection. Cylindrical roller bearings are essentially radial bearings. Nevertheless those styles where integral

ribs are in the proper location on inner and outer rings will also support thrust loading. In fact, most such styles do support incidental, axial locating loads. Whenever applied thrust loading is known to exist, the guidelines given for Thrust Loads on the next page must be carefully followed.

Selection and life expectancy formulas shown here are also valid for inner ring and roller assemblies and for outer ring and roller assemblies provided they are run directly on bearing quality steel shafts or housings properly hardened and ground. To assure a satisfactory bearing application, fitting practice, mounting, lubrication, sealing, static rating, housing strength, operating conditions and maintenance must be considered.

Steps for Selection

Step 1

Determine an appropriate L₁₀ design life.

Type of service	Operating time, hours per year	Design life, years	L ₁₀ design life, hours
Light seasonal usage	500 to 750	3-5	3,000
Heavy seasonal usage	1,400 to 1,600	4-6	8,000
Industrial—8 hour shift	2,000	10	20,000
Industrial—16 hour shift	4,000	10	40,000
Industrial—continuous	8,700	10	80,000 to 100,000
Continuous—high reliability	—	—	120,000 to 300,000

Step 2

Determine a required $\left(\frac{C}{P}\right)$ from Table 1.

Step 3

Calculate the required C and select a cylindrical roller bearing.

$$P = F_r$$

required $C = \left(\frac{C}{P}\right)P$ using $\left(\frac{C}{P}\right)$ from Step 2.

Select a cylindrical roller bearing of the desired type having a Basic Load Rating C equal to or greater than the required C from the appropriate series. The life expectancy of other sizes and series of cylindrical roller bearings can be calculated. When thrust load is present, check the individual bearing thrust capacity and follow the requirements for lubrication under thrust conditions.

Step 4

Determine the permissible speed limit of the bearing through the following procedure:

Permissible speed limits are of practical value only when considered with other factors of bearing operation. Not every application functions satisfactorily at the listed speeds. Load, lubrication, and temperature factors influence the performance. Bearing operation at the listed speed limit demands excellent lubrication, moderate load, and reasonable temperature environment.

Permissible speed can be approximated from the limiting DN value, which is the product of the bearing bore in millimeters and the speed in RPM. The DN values shown below are nominal. For higher permissible speeds, consult Rexnord Bearing Division.

Bearing series	Limit of DN Value*
DN value = Bearing bore (mm) x speed (RPM)	
Series 1900, 1000, 1200, 1300 & 7300	
with segmented or polymeric retainer	450,000
with formed Steel Retainer	250,000
Series 5200, 6200, and 5300	
with segmented or polymeric retainer (5200, 5300 only)	330,000
with formed Steel Retainer	180,000
Full complement	150,000

*These values assume oil lubrication

Selection

Symbols for formulas:

- C = Basic Load Rating, pounds (or newtons)
- Co = static Load Rating, pounds (or newtons)
- Fr = radial load, pounds (or newtons)
- L10 = rating life, hours
- n = speed, revolutions per minute
- P = equivalent radial load, pounds (or newtons)

Basic Formulas

$$\left(\frac{C}{P}\right) = \left(\frac{L_{10} \times n \times 60}{1,000,000}\right)^{3/10}$$

$$L_{10} = \frac{\left(\frac{C}{P}\right)^{10/3} \times 1,000,000}{n \times 60}$$

Life Expectancy

To calculate the Rating Life L10 of any pair of selected or trial bearings:

Step 1

Determine the equivalent radial load P.

$$P = F_r$$

Step 2 Calculate the ratio of the bearing Basic Load Rating C to the equivalent radial load.

$$\frac{C}{P}$$

Step 3

Approximate the bearing life from Table 1.

Table 1 • Relation of L10 life and speed to $\left(\frac{C}{P}\right)$

Bearing Life Hours L10	Ratio $\left(\frac{C}{P}\right)$									
	Speed, n									
	50	100	200	300	400	500	600	700	800	
3000	1.93	2.38	2.93	3.31	3.61	3.86	4.07	4.27	4.44	
4000	2.11	2.59	3.19	3.61	3.93	4.20	4.44	4.65	4.84	
5000	2.25	2.77	3.42	3.86	4.20	4.50	4.75	4.97	5.18	
6000	2.38	2.93	3.61	4.07	4.44	4.75	5.02	5.25	5.47	
8000	2.59	3.19	3.93	4.44	4.84	5.18	5.47	5.73	5.96	
10000	2.77	3.42	4.20	4.75	5.18	5.54	5.85	6.12	6.37	
12000	2.93	3.61	4.44	5.02	5.47	5.85	6.18	6.47	6.73	
14000	3.07	3.78	4.65	5.25	5.73	6.12	6.47	6.77	7.05	
16000	3.19	3.93	4.84	5.47	5.96	6.37	6.73	7.05	7.34	
18000	3.31	4.07	5.02	5.66	6.18	6.60	6.97	7.30	7.60	
20000	3.42	4.20	5.18	5.85	6.37	6.81	7.20	7.54	7.85	
25000	3.65	4.50	5.54	6.25	6.81	7.29	7.70	8.06	8.39	
30000	3.86	4.75	5.85	6.60	7.20	7.70	8.13	8.51	8.86	
35000	4.04	4.97	6.12	6.92	7.54	8.06	8.51	8.92	9.28	
40000	4.20	5.18	6.37	7.20	7.85	8.39	8.86	9.28	9.66	
45000	4.36	5.36	6.60	7.46	8.13	8.69	9.18	9.61	10.00	
50000	4.50	5.54	6.81	7.70	8.39	8.97	9.48	9.92	10.30	
60000	4.75	5.85	7.20	8.13	8.86	9.48	10.00	10.5	10.90	
70000	4.97	6.12	7.54	8.51	9.28	9.92	10.50	11.00	11.40	
80000	5.18	6.37	7.85	8.86	9.66	10.30	10.90	11.40	11.90	
90000	5.36	6.60	8.13	9.18	10.00	10.70	11.30	11.80	12.30	
100000	5.54	6.81	8.39	9.48	10.30	11.00	11.70	12.20	12.70	
150000	6.25	7.70	9.48	10.70	11.70	12.50	13.20	13.80	14.40	
200000	6.81	8.39	10.30	11.70	12.70	13.60	14.40	15.00	15.70	
	Speed, n									
	900	1000	1200	1500	1800	2400	3000	3600	6000	
3000	4.60	4.75	5.02	5.36	5.66	6.18	6.60	6.97	8.13	
4000	5.02	5.18	5.47	5.85	6.18	6.73	7.20	7.60	8.86	
5000	5.36	5.54	5.85	6.25	6.60	7.20	7.70	8.13	9.48	
6000	5.66	5.85	6.18	6.60	6.97	7.60	8.13	8.59	10.00	
8000	6.18	6.37	6.73	7.20	7.60	8.29	8.86	9.36	10.90	
10000	6.60	6.81	7.20	7.70	8.13	8.86	9.48	10.00	11.70	
12000	6.97	7.20	7.60	8.13	8.59	9.36	10.00	10.60	12.30	
14000	7.30	7.54	7.96	8.51	8.99	9.80	10.50	11.10	12.90	
16000	7.60	7.85	8.29	8.86	9.36	10.20	10.90	11.50	13.40	
18000	7.88	8.13	8.59	9.18	9.70	10.60	11.30	11.90	13.90	
20000	8.13	8.39	8.86	9.48	10.00	10.90	11.70	12.30	14.40	
25000	8.69	8.97	9.48	10.10	10.70	11.70	12.50	13.20	15.40	
30000	9.18	9.48	10.00	10.70	11.30	12.30	13.20	13.90	16.20	
35000	9.61	9.92	10.50	11.20	11.80	12.90	13.80	14.60	17.00	
40000	10.00	10.30	10.90	11.70	12.30	13.40	14.40	15.20	17.70	
45000	10.40	10.70	11.30	12.10	12.80	13.90	14.90	15.70	18.30	
50000	10.70	11.00	11.70	12.50	13.20	14.40	15.40	16.20	18.90	
60000	11.30	11.70	12.30	13.20	13.90	15.20	16.20	17.10	20.00	
70000	11.80	12.20	12.90	13.80	14.60	15.90	17.00	17.90	20.90	
80000	12.30	12.70	13.40	14.40	15.20	16.50	17.70	18.70	21.80	
90000	12.80	13.20	13.90	14.90	15.70	17.10	18.30	19.40	22.60	
100000	13.20	13.60	14.40	15.40	16.20	17.70	18.90	20.00	23.30	
150000	14.90	15.40	16.20	17.30	18.30	20.00	21.40	22.60	26.30	
200000	16.20	16.70	17.70	18.90	20.00	21.80	23.30	24.60	28.70	

Thrust Loads

The integral guiding ribs on standard cylindrical roller bearing inner and outer rings will support limited thrust loads. In addition, special tolerances and processing can be used to substantially increase axial load capacity. In either case, excellent lubrication (preferably with an EP lubricant) and a stabilizing radial load are required. For standard bearings, the allowable thrust load is estimated as

$$TM = \frac{C_A}{3n^{0.3}}$$

- where
- TM Maximum allowable thrust load, pounds (or newtons)
 - CA Load rating C (pounds or newtons) of the narrowest series for the given annulus (O.D. and bore) at 33 1/3 RPM and 500L10 hours.
 - n Operating speed, RPM

In addition, the thrust load should be no greater than 25% of the radial load. Where application conditions exceed either of these limits, Rexnord Bearing Division should be consulted.

Life Adjustment

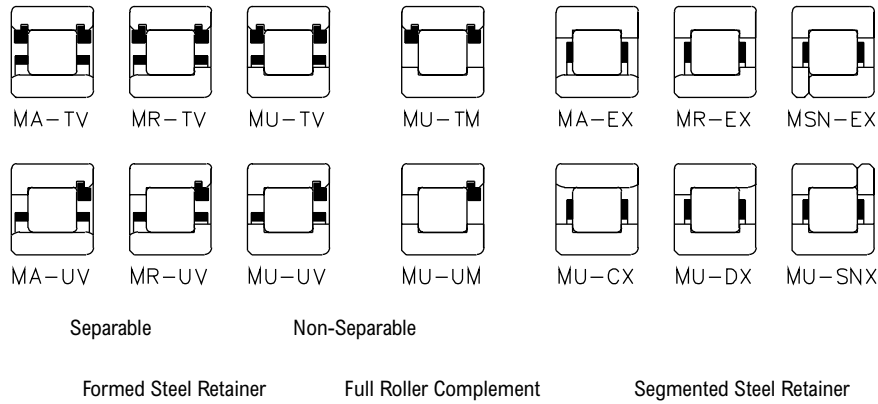
The Rating Life, L10, may be modified for some applications in accordance with the formula

$$L_n = a_1 a_2 a_3 L_{10}$$

- where
- Ln = Adjusted life for (100-n) % reliability,
 - a1 = Life adjustment factor for reliability
 - a2 = Life adjustment factor for material and processing
 - a3 = Life adjustment factor for operating conditions.

For most normal applications, all factors will be taken as 1, and the Rating Life used as the selection basis or life estimate. In addition, as long as standard catalog bearings are used, a2 will be normally set equal to one. The factor a3 covers such things as lubrication, misalignment, and temperature. Some conditions that could yield a3 significantly different than unity include speeds less than 20000 DN or greater than 200000 DN, temperatures below -40°F (-40°C) or above 275°F (135°C), or misalignment greater than 0.0005 radians. For other possible conditions, as well as additional information on life adjustment factors, consult Rexnord Bearing Division.

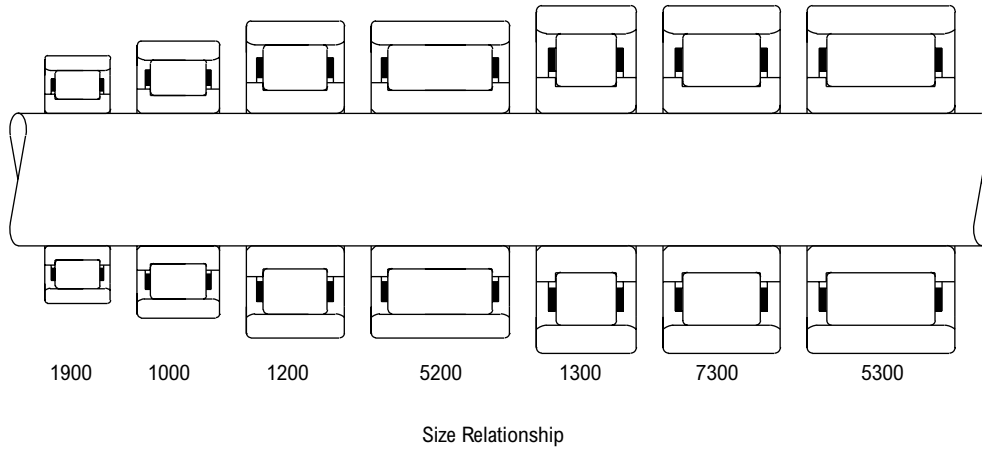
Ratings 25 mm, 30 mm, 35 mm, 40 mm Bores



Load Ratings (pounds/newtons)

Basic Bearing Number	Formed Steel Retainer						Segmented Steel Retainer			Full Roller Complement		
	Separable			Non-separable			C Basic Load Rating	Bearing Capacity 500 RPM, 3000 Hrs. L10	Co Basic Static Load Rating	C Basic Load Rating	Bearing Capacity 500 RPM, 3000 Hrs. L10	Co Basic Static Load Rating
	C Basic Load Rating	Bearing Capacity 500 RPM, 3000 Hrs. L10	Co Basic Static Load Rating	C Basic Load Rating	Bearing Capacity 500 RPM, 3000 Hrs. L10	Co Basic Static Load Rating						
1205	4330	1120	5220	5280	1370	5220	6170	1600	6430	7020	1820	7630
	19200	4980	23200	23500	6080	23200	27500	7110	28600	31200	8090	33900
5205	5930	1540	7830	7240	1880	7830	8460	2190	9640	9620	2490	11400
	26400	6830	34800	32200	8340	34800	37600	9750	42900	42800	11100	50900
1305	6310	1630	6690	7710	2000	6690	8840	2290	8030	9920	2570	9370
	28100	7270	29800	34300	8880	29800	39300	10200	35700	44100	11400	41700
7305	8070	2090	9180	9850	2550	9180	11300	2930	11000	12700	3280	12800
	35900	9300	40800	43800	11400	40800	50200	13000	49000	56400	14600	57100
5305	9720	2520	11700	11900	3070	11700	13600	3530	14000	15300	3960	16300
	43200	11200	51900	52800	13700	51900	60500	15700	62300	68100	17600	72500
1206	5990	1550	7170	7320	1900	7170	8150	2110	8270	9340	2420	9930
	26700	6910	31900	32600	8430	31900	36200	9390	36800	41600	10800	44200
5206	9040	2340	12200	11000	2860	12200	12300	3180	14000	14100	3650	16800
	40200	10400	54100	49100	12700	54100	54700	14200	62500	62700	16200	74900
1306	7970	2060	9270	9730	2520	9270	10300	2680	10000	12100	3130	12400
	35400	9180	41200	43300	11200	41200	45900	11900	44700	53700	13900	55000
7306	10500	2720	13200	12800	3320	13200	13600	3530	14400	15900	4130	17700
	46800	12100	58900	57100	14800	58900	60600	15700	63800	70700	18400	78700
5306	12800	3320	17100	15700	4060	17100	16600	4310	18500	19400	5030	22800
	57000	14800	76100	69600	18000	76100	74000	19200	82400	86400	22400	101000
1207	6840	1770	8030	8350	2160	8030	9290	2410	9270	10700	2760	11100
	30400	7870	35700	37100	9610	35700	41300	10700	41200	47400	12300	49500
5207	11300	2920	15300	13800	3570	15300	15300	3970	17700	17600	4560	21200
	50200	13000	68100	61300	15900	68100	68300	17700	78600	78300	20300	94300
1307	9840	2550	12000	12000	3110	12000	13500	3490	14000	15600	4040	17000
	43800	11300	53400	53400	13800	53400	60000	15500	62400	69400	18000	75700
7307	13800	3580	18700	16900	4380	18700	17900	4630	20100	20700	5350	24400
	61500	15900	83100	75100	19500	83100	79400	20600	89500	91900	23800	109000
5307	15900	4120	22400	19400	5030	22400	20500	5320	24100	23800	6150	29200
	70800	18300	99400	86400	22400	99400	91400	23700	107000	106000	27400	130000
1208	8270	2140	10200	10100	2620	10200	11200	2890	11600	12700	3290	13800
	36800	9530	45300	44900	11600	45300	49700	12900	51800	56500	14600	61500
5208	14300	3710	20700	17500	4530	20700	19400	5010	23600	22000	5700	28000
	63800	16500	91900	77900	20200	91900	86100	22300	105000	97900	25400	125000
1308	12600	3260	15200	15400	3980	15200	16300	4230	16400	19100	4940	20200
	56000	14500	67500	68400	17700	67500	72600	18800	73100	84800	22000	90000
7308	17900	4630	23800	21800	5660	23800	23200	6010	25800	27100	7020	31800
	79600	20600	106000	97200	25200	106000	103000	26700	115000	121000	31200	141000
5308	20000	5190	27600	24500	6330	27600	26000	6720	29900	30300	7860	36800
	89100	23100	123000	109000	28200	123000	115000	29900	133000	135000	35000	163000

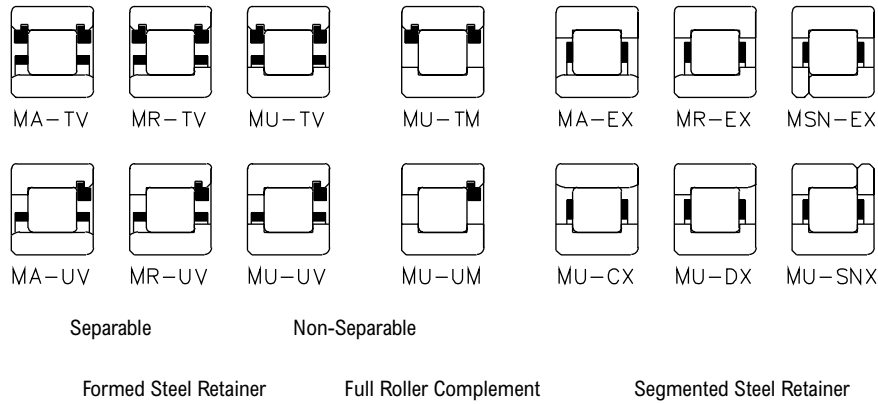
Ratings 45 mm, 50 mm, 55 mm Bores



Load Ratings (pounds/newtons)

Basic Bearing Number	Formed Steel Retainer						Segmented Steel Retainer			Full Roller Complement		
	Separable			Non-separable			C Basic Load Rating	Bearing Capacity 500 RPM, 3000 Hrs. L10	Co Basic Static Load Rating	C Basic Load Rating	Bearing Capacity 500 RPM, 3000 Hrs. L10	Co Basic Static Load Rating
	C Basic Load Rating	Bearing Capacity 500 RPM, 3000 Hrs. L10	Co Basic Static Load Rating	C Basic Load Rating	Bearing Capacity 500 RPM, 3000 Hrs. L10	Co Basic Static Load Rating						
1209	9670	2500	12900	11800	3060	12900	12900	3340	14500	14500	3750	16900
5209	43000	11100	57300	52500	13600	57300	57400	14900	64500	64400	16700	75200
	15600	4030	23800	19000	4920	23800	20800	5380	26700	23300	6040	31200
1309	69200	17900	106000	84500	21900	106000	92300	23900	119000	104000	26800	139000
	15900	4120	20400	19400	5040	20400	20600	5320	22000	23800	6160	26700
7309	70800	18300	90900	86500	22400	90900	91400	23700	97900	106000	27400	119000
	20300	5260	28000	24800	6430	28000	26200	6790	30100	30300	7860	36600
5309	90400	23400	124000	110000	28600	124000	117000	30200	134000	135000	35000	163000
	24800	6440	36200	30300	7860	36200	32100	8310	39000	37100	9610	47400
1010	111000	28600	161000	135000	35000	161000	143000	37000	174000	165000	42700	211000
	8840	2290	11100
1210	39300	10200	49400
	9830	2550	13600	12000	3110	13600	13000	3380	15200	15100	3900	18400
5210	43700	11300	60600	53400	13800	60600	58000	15000	67700	67000	17300	82000
	15800	4100	25100	19300	5000	25100	21000	5440	28100	24200	6280	34000
1310	70400	18200	112000	85900	22300	112000	93400	24200	125000	108000	27900	151000
	18600	4810	24000	22700	5870	24000	23900	6200	25900	27700	7170	31400
7310	82500	21400	107000	101000	26100	107000	107000	27600	115000	123000	31900	140000
	24000	6220	33500	29300	7590	33500	31000	8030	36000	35900	9290	43800
5310	107000	27700	149000	130000	33800	149000	138000	35700	160000	159000	41300	195000
	29300	7600	43300	35800	9280	43300	37900	9810	46600	43800	11300	56600
1911	131000	33800	193000	159000	41300	193000	169000	43600	207000	195000	50500	252000
	6960	1800	9570
1011	31000	8020	42600
	11200	2890	14300
1211	49800	12900	63400
	11700	3040	16400	1430	3710	16400	15600	4030	18400	18000	4650	22300
5211	52200	13500	73200	63700	16500	73200	69200	17900	81800	79900	20700	99000
	19200	4960	30900	23400	6060	30900	25400	6590	34600	29400	7600	41900
1311	85300	22100	138000	104000	27000	138000	113000	29300	154000	131000	33800	186000
	21900	5680	28800	26800	6930	28800	26800	6930	28800	31000	8020	35000
7311	97500	25300	128000	119000	30800	128000	119000	30800	128000	138000	35700	156000
	29300	7590	41800	35800	9270	41800	35800	9270	41800	41400	10700	50800
5311	130000	33800	186000	159000	41200	186000	159000	41200	186000	184000	47700	226000
	38100	9860	58600	46500	12000	58600	46500	12000	58600	53800	13900	71100
	169000	43900	260000	207000	53500	260000	207000	53500	260000	239000	61900	316000

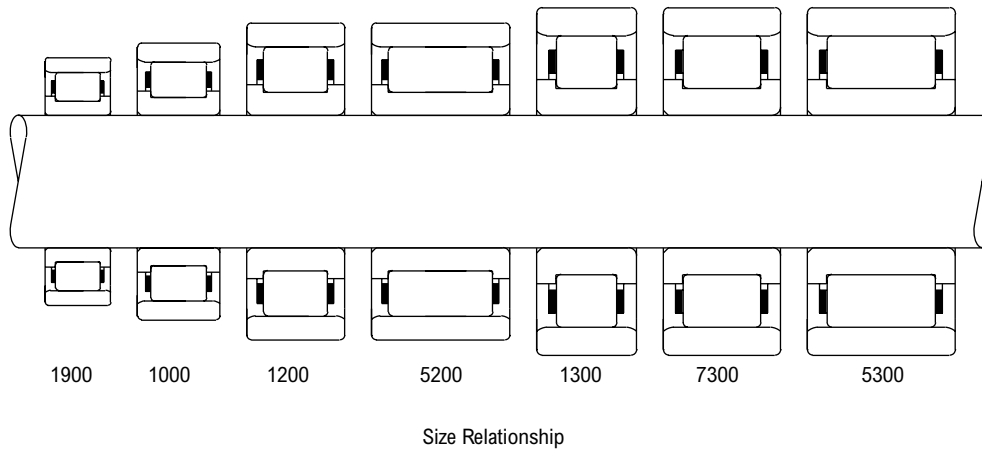
Ratings 60 mm, 65 mm, 70 mm Bores



Load Ratings (pounds/newtons)

Basic Bearing Number	Formed Steel Retainer						Segmented Steel Retainer			Full Roller Complement		
	Separable			Non-separable			C Basic Load Rating	Bearing Capacity 500 RPM, 3000 Hrs. L10	Co Basic Static Load Rating	C Basic Load Rating	Bearing Capacity 500 RPM, 3000 Hrs. L10	Co Basic Static Load Rating
	C Basic Load Rating	Bearing Capacity 500 RPM, 3000 Hrs. L10	Co Basic Static Load Rating	C Basic Load Rating	Bearing Capacity 500 RPM, 3000 Hrs. L10	Co Basic Static Load Rating						
1912	7200	1870	10300
.....	32000	8300	45600
1012	11700	3040	15600
.....	52200	13500	69200
1212	14500	3760	19600	17700	4590	19600	19400	5020	22100	21700	5630	25800
.....	64600	16700	87400	78900	20400	87400	86100	22300	98300	96700	25000	115000
5212	24700	6390	38900	30100	7800	38900	32900	8520	43700	36900	9570	51000
.....	110000	28400	173000	134000	34700	173000	146000	37900	194000	164000	42600	227000
1312	24900	6450	32800	30400	7880	32800	32100	8330	35300	37200	9630	42900
.....	111000	28700	146000	135000	35500	146000	143000	37000	157000	165000	42800	191000
7312	32600	8450	46400	39800	10300	46400	42100	10900	50000	48700	12600	60700
.....	145000	37600	206000	177000	45900	206000	187000	48500	222000	217000	56100	270000
5312	43900	11400	68000	53600	13900	68000	56600	14700	73200	65500	17000	88900
.....	195000	50500	302000	238000	61700	302000	252000	65200	326000	291000	75500	395000
1913	7600	1970	11200
.....	33800	8750	50000
1013	12000	3100	16300
.....	53200	13800	72400
1213	16800	4360	24400	20500	5320	24400	21400	5540	25800	24700	6390	31200
.....	74800	19400	109000	91400	23700	109000	95100	24600	115000	110000	28400	139000
5213	26800	6930	44400	32700	8460	44400	34000	8810	46800	39300	10200	56700
.....	119000	30800	197000	145000	37600	197000	151000	39200	208000	175000	45200	252000
1313	30800	7970	41900	37600	9730	41900	37600	9730	41900	43400	11300	50900
.....	137000	35400	186000	167000	43300	186000	167000	43300	186000	193000	50100	226000
7313	39200	10100	57200	47800	12400	57200	47800	12400	57200	55300	14300	69400
.....	174000	45100	254000	213000	55100	254000	213000	55100	254000	246000	63700	309000
5313	54900	14200	88200	67000	17300	88200	67000	17300	88200	77500	20100	107000
.....	244000	63200	392000	298000	77200	392000	298000	77200	392000	345000	89300	476000
1914	10900	2810	15800
.....	48300	12500	70400
1014	14600	3770	18600
.....	64800	16800	82800
1214	18100	4700	26300	22100	5730	26300	24100	6230	29400	27900	7190	35600
.....	80600	20900	117000	98500	25500	117000	107000	27700	131000	124000	32000	158000
5214	29900	7750	50100	36600	9470	50100	39700	10300	56000	45900	11900	67800
.....	133000	34500	223000	163000	42100	223000	177000	45800	249000	204000	52800	302000
1314	35300	9130	48800	43000	11100	48800	43000	11100	48800	49800	12900	59200
.....	157000	40600	217000	191000	49600	217000	191000	49600	217000	221000	57400	263000
7314	43800	11300	64400	53500	13800	64400	53500	13800	64400	61800	16000	78200
.....	195000	50400	287000	238000	61600	287000	238000	61600	287000	275000	71300	348000
5314	57600	14900	91700	70400	18200	91700	70400	18200	91700	81400	21100	111000
.....	256000	66400	408000	313000	81100	408000	313000	81100	408000	362000	93800	495000

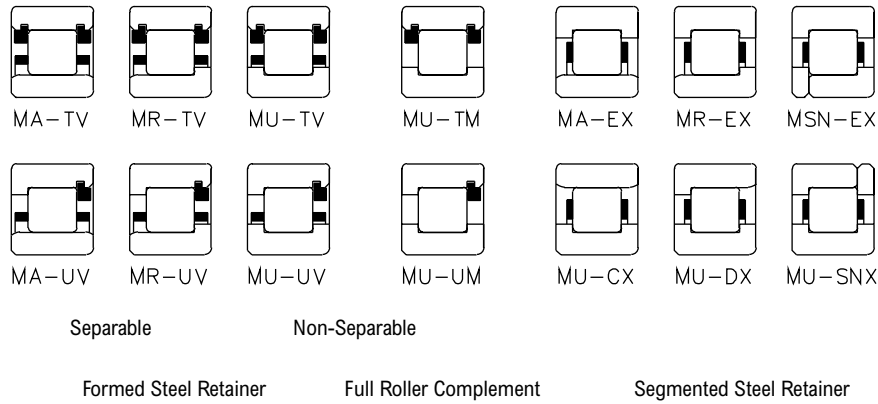
Ratings 75 mm, 80 mm, 85 mm Bores



Load Ratings (pounds/newtons)

Basic Bearing Number	Formed Steel Retainer						Segmented Steel Retainer			Full Roller Complement		
	Separable			Non-separable			C Basic Load Rating	Bearing Capacity 500 RPM, 3000 Hrs. L10	Co Basic Static Load Rating	C Basic Load Rating	Bearing Capacity 500 RPM, 3000 Hrs. L10	Co Basic Static Load Rating
	C Basic Load Rating	Bearing Capacity 500 RPM, 3000 Hrs. L10	Co Basic Static Load Rating	C Basic Load Rating	Bearing Capacity 500 RPM, 3000 Hrs. L10	Co Basic Static Load Rating						
1915	11200	2910	16900
.....	50000	13000	75200
1015	15300	3970	20300
.....	68200	17700	90300
1215	18800	4880	28000	23000	5960	28000	24900	6450	31100	28600	7390	37400
.....	83800	21700	125000	102000	26500	125000	111000	28700	139000	157000	32900	166000
5215	32500	8430	56600	39700	10300	56600	43000	11100	62900	49300	12800	75500
.....	145000	37500	252000	177000	45800	252000	191000	49500	280000	219000	56800	336000
1315	36600	9470	49700	44600	11600	49700	44600	11600	49700	51600	13400	60300
.....	163000	42100	221000	199000	51400	221000	199000	51400	221000	230000	59500	268000
7315	48500	12600	71500	59300	15400	71500	59300	15400	71500	68600	17800	86900
.....	216000	55900	318000	264000	68300	318000	264000	68300	318000	305000	79000	386000
5315	70900	18400	116000	86600	22400	116000	86600	22400	116000	100000	25900	141000
.....	315000	81700	518000	385000	99800	518000	385000	99800	518000	446000	115000	629000
1916	11600	3010	18000
.....	51700	13400	80000
1016	19200	4970	25800
.....	85300	22100	115000
1216	20600	5330	30100	25100	6500	30100	27200	7040	33400	30200	7820	38400
.....	91500	23700	134000	112000	28900	134000	121000	31300	149000	134000	34800	171000
5216	36800	9540	63700	45000	11600	63700	48700	12600	70700	54000	14000	81300
.....	164000	42400	283000	200000	51800	283000	216000	56100	315000	240000	62300	362000
1316	41500	10800	57300	50700	13100	57300	50700	13100	57300	58700	15200	69600
.....	185000	47900	255000	226000	58400	255000	226000	58400	255000	261000	67600	309000
7316	55100	14300	82400	67300	17400	82400	67300	17400	82400	77900	20200	100000
.....	245000	63500	367000	299000	77500	367000	299000	77500	367000	346000	89700	445000
5316	73300	19000	119000	89400	23200	119000	89400	23200	119000	103000	26800	144000
.....	326000	84400	528000	398000	103000	528000	398000	103000	528000	460000	119000	642000
1917	13700	3550	20900
.....	60900	15800	93100
1017	19700	5100	27000
.....	87500	22700	120000
1217	24800	6410	36700	30200	7830	36700	31500	8160	38700	36300	9410	46900
.....	110000	28500	163000	134000	34800	163000	140000	36300	172000	162000	41900	208000
5217	45300	11700	79700	55300	14300	79700	57600	14900	84100	66400	17200	102000
.....	201000	52200	354000	246000	63700	354000	356000	66300	374000	296000	76500	453000
1317	44600	11500	61200	54400	14100	61200	54400	14100	61200	63000	16300	74300
.....	198000	51300	272000	242000	62700	272000	242000	62700	272000	280000	72500	330000
7317	61700	16000	92900	75400	19500	92900	75400	19500	92900	87200	22600	113000
.....	275000	71100	413000	335000	86800	413000	335000	86900	413000	388000	100000	502000
5317	86300	22400	143000	105000	27300	143000	105000	27300	143000	122000	31600	174000
.....	384000	99500	636000	469000	121000	636000	469000	121000	636000	542000	140000	773000

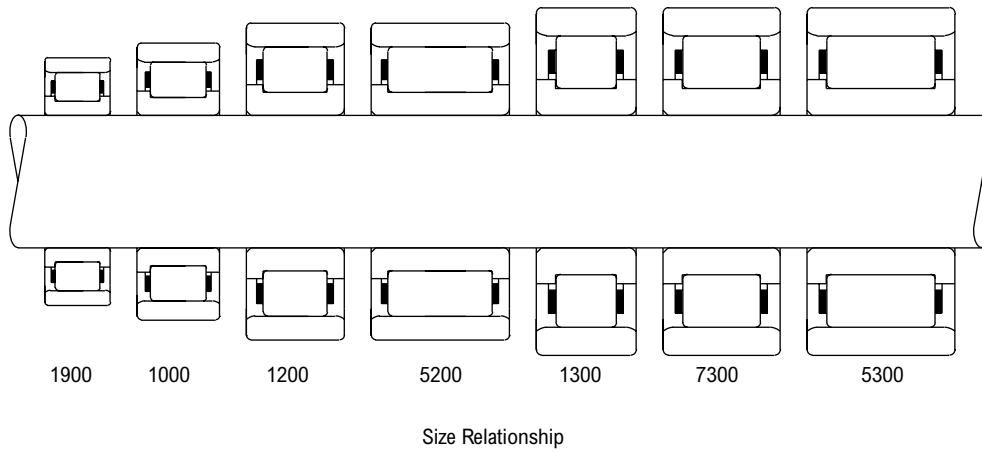
Ratings 90 mm, 95 mm, 100 mm Bores



Load Ratings (pounds/newtons)

Basic Bearing Number	Formed Steel Retainer						Segmented Steel Retainer			Full Roller Complement		
	Separable			Non-separable			C Basic Load Rating	Bearing Capacity 500 RPM, 3000 Hrs. L10	Co Basic Static Load Rating	C Basic Load Rating	Bearing Capacity 500 RPM, 3000 Hrs. L10	Co Basic Static Load Rating
	C Basic Load Rating	Bearing Capacity 500 RPM, 3000 Hrs. L10	Co Basic Static Load Rating	C Basic Load Rating	Bearing Capacity 500 RPM, 3000 Hrs. L10	Co Basic Static Load Rating						
1918	14200	3670	22200
	6300	16300	98900
1018	24900	6440	33500
	111000	28600	149000
1218	28700	7440	42600	35100	9090	42600	38100	9880	47600	42600	11000	55100
	128000	33100	190000	156000	40400	190000	170000	43900	212000	189000	49000	245000
5218	51000	13200	89100	62300	16100	89100	67700	17500	99600	75500	19600	115000
	227000	58700	396000	277000	71700	396000	301000	78000	443000	336000	87000	513000
1318	52600	13600	74200	64200	16600	74200	64200	16600	74200	74200	19200	90100
	234000	60600	330000	285000	73900	330000	285000	73900	330000	330000	85500	401000
7318	69000	17900	105000	84300	21800	105000	84300	21800	105000	97500	25300	128000
	307000	79500	469000	375000	97100	469000	375000	97100	469000	434000	112000	569000
5318	88400	22900	145000	108000	27900	145000	108000	27900	145000	125000	32300	176000
	393000	102000	644000	480000	124000	644000	480000	124000	644000	556000	144000	783000
1919	14600	3790	23600
	65100	16900	105000
1019	25500	6600	35100
	113000	29400	156000
1219	33400	8650	50000	40800	10600	50000	42600	11000	53000	49500	12800	64700
	149000	38500	222000	181000	47000	222000	189000	49000	236000	220000	57000	288000
5219	58500	15200	103000	71400	18500	103000	74600	19300	109000	86700	22400	133000
	260000	67400	457000	318000	82300	457000	332000	85900	484000	386000	99800	592000
1319	55300	14300	80500	67600	17500	80500	67600	17500	80500	77400	20100	96600
	246000	63700	358000	300000	77800	358000	300000	77800	358000	344000	89200	430000
7319	75800	19600	121000	92600	24000	121000	92600	24000	121000	106000	27500	145000
	337000	87400	537000	412000	107000	537000	412000	107000	537000	472000	122000	644000
5319	93000	24100	157000	114000	29400	157000	114000	29400	157000	130000	33700	188000
	414000	107000	698000	505000	131000	698000	505000	131000	698000	579000	150000	838000
1920	17300	4470	25600
	76800	19900	114000
1020	26100	6760	36700
	116000	30100	163000
1220	36500	9470	54800	44600	11600	54800	46600	12100	58000	54100	14000	70900
	163000	42100	244000	198000	51400	244000	207000	53700	258000	241000	62400	315000
5220	65900	17100	117000	80500	20800	117000	84000	21800	124000	97700	25300	151000
	293000	76000	520000	358000	92700	520000	374000	96800	551000	434000	113000	674000
1320	60600	15700	88300	74000	19200	88300	74000	19200	88300	84800	22000	106000
	270000	69800	393000	329000	85300	393000	329000	85300	393000	377000	97700	472000
7320	82500	21400	131000	101000	26100	131000	101000	26100	131000	115000	29900	157000
	367000	95000	584000	448000	116000	584000	448000	116000	584000	513000	133000	700000
5320	111000	28700	192000	135000	35100	192000	135000	35100	192000	155000	40200	231000
	493000	128000	855000	602000	156000	855000	602000	156000	855000	691000	179000	1030000

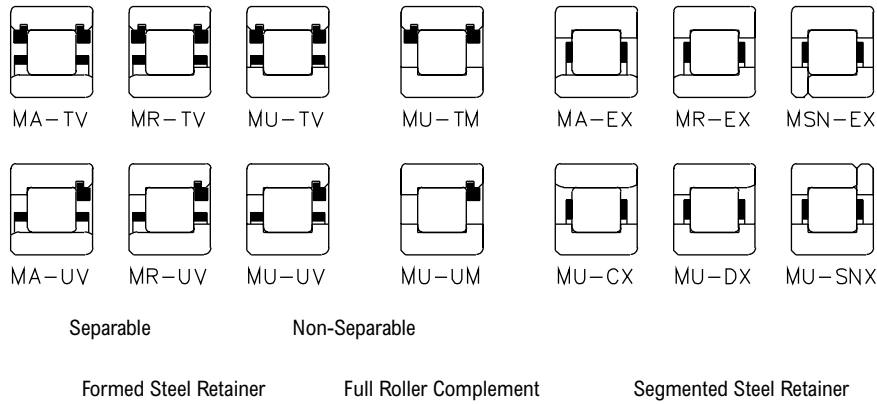
Ratings 105 mm, 110 mm, 120 mm Bores



Load Ratings (pounds/newtons)

Basic Bearing Number	Formed Steel Retainer						Segmented Steel Retainer			Full Roller Complement		
	Separable			Non-separable			C Basic Load Rating	Bearing Capacity 500 RPM, 3000 Hrs. L10	Co Basic Static Load Rating	C Basic Load Rating	Bearing Capacity 500 RPM, 3000 Hrs. L10	Co Basic Static Load Rating
	C Basic Load Rating	Bearing Capacity 500 RPM, 3000 Hrs. L10	Co Basic Static Load Rating	C Basic Load Rating	Bearing Capacity 500 RPM, 3000 Hrs. L10	Co Basic Static Load Rating						
1921	17900	4650	27300
.....	79800	20700	121000
1021	31000	8040	45000
.....	138000	35800	200000
1221	38600	9990	57800	47100	12200	57800	49200	12700	61200	57200	14800	74800
.....	172000	44400	257000	210000	54300	257000	219000	56600	272000	254000	65800	333000
5221	73400	19000	132000	89600	23200	132000	93600	24200	140000	109000	28200	171000
.....	327000	84600	588000	399000	103000	588000	416000	108000	622000	484000	125000	760000
1321	71700	18600	108000	87500	22700	108000	87500	22700	108000	100000	26000	129000
.....	319000	82500	479000	389000	101000	479000	389000	101000	479000	446000	116000	575000
7321	90500	23400	145000	110000	28600	145000	110000	28600	145000	127000	32800	174000
.....	403000	104000	647000	491000	127000	647000	491000	127000	647000	563000	146000	776000
5321	118000	30500	204000	144000	37200	204000	144000	37200	204000	165000	42700	244000
.....	523000	136000	906000	639000	165000	906000	639000	165000	906000	734000	190000	1090000
1922	18200	4720	28200
.....	81200	21000	125000
1022	35300	9150	50600
.....	157000	40700	225000
1222	43600	11300	67300	53200	13800	67300	55400	14400	71100	61900	16000	82300
.....	194000	50200	299000	237000	61300	299000	247000	63900	316000	275000	71300	366000
5222	79900	20700	147000	97600	25300	147000	102000	26300	155000	113000	29400	179000
.....	356000	92100	653000	434000	112000	653000	452000	117000	689000	505000	131000	798000
1322	72800	18900	107000	88900	23000	107000	88900	23000	107000	102000	26400	129000
.....	324000	83800	477000	395000	102000	477000	395000	102000	477000	453000	117000	572000
7322	99800	25800	161000	122000	31500	161000	122000	31500	161000	140000	36200	193000
.....	444000	115000	715000	542000	140000	715000	542000	140000	715000	621000	161000	858000
5322	138000	35700	244000	169000	43600	244000	169000	43600	244000	193000	50000	293000
.....	614000	159000	1090000	750000	194000	1090000	750000	194000	1090000	859000	223000	1300000
1924	23800	6160	37300
.....	106000	27400	166000
1024	37000	9590	55100
.....	165000	42700	245000
1224	49400	12800	77900	60300	15600	77900	62800	16300	82300	72500	18800	99600
.....	220000	56900	347000	268000	69500	347000	279000	72400	366000	323000	83500	443000
5224	97200	25200	186000	119000	30700	186000	124000	32000	196000	143000	36900	238000
.....	432000	112000	827000	528000	137000	827000	550000	142000	873000	634000	164000	1060000
1324	84600	21900	126000	103000	26700	126000	103000	26700	126000	118000	30700	151000
.....	376000	97400	562000	459000	119000	562000	459000	119000	562000	527000	136000	674000
7324	118000	30500	193000	144000	37300	193000	144000	37300	193000	165000	42700	232000
.....	524000	136000	861000	640000	166000	861000	640000	166000	861000	734000	190000	1030000
5324	170000	44100	310000	208000	53900	310000	208000	53900	310000	238000	61700	373000
.....	757000	196000	1380000	925000	240000	1380000	925000	240000	1380000	1060000	275000	1660000

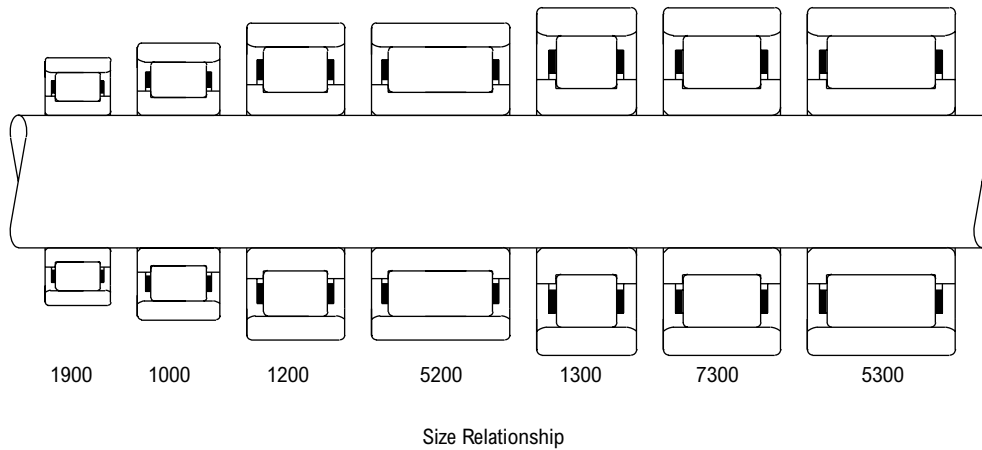
Ratings 130 mm, 140 mm, 150 mm Bores



Load Ratings (pounds/newtons)

Basic Bearing Number	Formed Steel Retainer						Segmented Steel Retainer			Full Roller Complement		
	Separable			Non-separable			C Basic Load Rating	Bearing Capacity 500 RPM, 3000 Hrs. L10	Co Basic Static Load Rating	C Basic Load Rating	Bearing Capacity 500 RPM, 3000 Hrs. L10	Co Basic Static Load Rating
	C Basic Load Rating	Bearing Capacity 500 RPM, 3000 Hrs. L10	Co Basic Static Load Rating	C Basic Load Rating	Bearing Capacity 500 RPM, 3000 Hrs. L10	Co Basic Static Load Rating						
1926	30100	7800	47600
	134000	34700	212000
1026	47500	12300	69100
	211000	54700	307000
1226	55300	14300	85200	67500	17500	85200	67500	17500	85200	78500	20300	104000
	246000	63700	379000	300000	77800	379000	300000	77800	379000	349000	90400	463000
5226	104000	26900	192000	127000	32800	192000	127000	32800	192000	147000	38200	234000
	462000	120000	852000	564000	146000	852000	564000	146000	852000	655000	170000	1040000
1326	100000	25900	151000	122000	31700	151000	122000	31700	151000	140000	36300	182000
	446000	115000	674000	544000	141000	674000	544000	141000	674000	624000	162000	808000
7326	138000	35700	228000	168000	43600	228000	168000	43600	228000	193000	50000	274000
	613000	159000	1020000	749000	194000	1020000	749000	194000	1020000	858000	222000	1220000
5326	190000	49300	346000	232000	60200	346000	232000	60200	346000	267000	69000	415000
	847000	219000	1540000	1030000	268000	1540000	1030000	268000	1540000	1190000	307000	1850000
1928	31100	8060	50800
	138000	35900	226000
1028	49900	12900	75100
	222000	57400	334000
1228	61700	16000	95000	75300	19500	95000	75300	19500	95000	87600	22700	116000
	274000	71100	422000	335000	86800	422000	335000	86800	422000	390000	101000	516000
5228	129000	33400	244000	157000	40700	244000	157000	40700	244000	183000	47300	299000
	573000	148000	1090000	699000	181000	1090000	699000	181000	1090000	813000	211000	1330000
1328	111000	28800	170000	136000	35200	170000	136000	35200	170000	156000	40400	204000
	495000	128000	756000	605000	157000	756000	605000	157000	756000	693000	180000	907000
7328	158000	40800	266000	192000	49800	266000	192000	49800	266000	221000	57100	319000
	701000	182000	1180000	856000	222000	1180000	856000	222000	1180000	981000	254000	1420000
5328	209000	54200	383000	256000	66200	383000	256000	66200	383000	293000	75900	460000
	931000	241000	1700000	1140000	295000	1700000	1140000	295000	1700000	1300000	338000	2050000
1930	41800	10800	68600
	186000	48100	305000
1030	56700	14700	85800
	252000	65300	382000
1230	71000	18400	111000	86700	22500	111000	86700	22500	111000	101000	26100	135000
	316000	81800	492000	386000	99900	492000	386000	99900	492000	448000	116000	601000
5230	150000	38900	289000	183000	47500	289000	183000	47500	289000	213000	55200	354000
	668000	173000	1290000	815000	211000	1290000	815000	211000	1290000	948000	245000	1570000

Ratings 160 mm, 170 mm, 180 mm, 190 mm, 200 mm Bores



Load Ratings (pounds/newtons)

Basic Bearing Number	Formed Steel Retainer						Segmented Steel Retainer			Full Roller Complement		
	Separable			Non-separable			C Basic Load Rating	Bearing Capacity 500 RPM, 3000 Hrs. L10	Co Basic Static Load Rating	C Basic Load Rating	Bearing Capacity 500 RPM, 3000 Hrs. L10	Co Basic Static Load Rating
	C Basic Load Rating	Bearing Capacity 500 RPM, 3000 Hrs. L10	Co Basic Static Load Rating	C Basic Load Rating	Bearing Capacity 500 RPM, 3000 Hrs. L10	Co Basic Static Load Rating						
1932	43200	11200	73100
1032	192000	49800	325000
1232	78300	20300	120000	95600	24800	120000	99800	25800	127000	112000	29000	148000
5232	174000	45100	336000	213000	55100	336000	222000	57500	356000	249000	64600	415000
1934	43700	11300	75500
1034	195000	50400	336000
1234	95700	24800	149000	117000	30300	149000	122000	31600	158000	137000	35500	184000
5234	202000	52400	391000	247000	64000	391000	258000	66800	414000	290000	75000	483000
1936	56000	14500	93700
1036	249000	64500	417000
1236	99600	25800	159000	122000	31500	159000	122000	31500	159000	136000	35300	186000
5236	195000	50600	379000	239000	61800	379000	239000	61800	379000	268000	69400	442000
1938	56800	14700	97000
1038	253000	65500	431000
1238	143200	37000	239400	175400	45600	239400	190600	49300	267700	205000	53000	299000
5238	242000	62800	489000	296000	76600	489000	296000	76600	489000	332000	86000	570000
1940	73700	19100	125000
1040	328000	84900	556000
1240	123000	31900	201000	150000	38900	201000	150000	38900	201000	175000	45200	246000
5240	270000	69900	551000	329000	85300	551000	329000	85300	551000	383000	99200	673000
	1200000	311000	2450000	1460000	379000	2450000	1460000	379000	2450000	1700000	441000	2990000

Shaft Bearing Seat Diameters

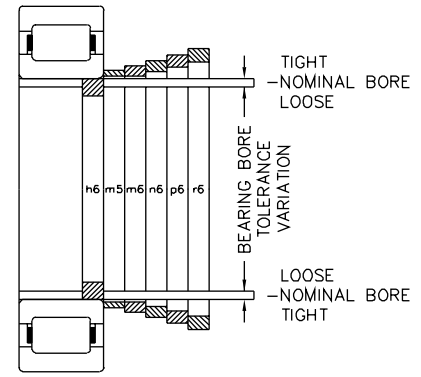
Bearing bore tolerances are in accordance with the system of tolerancing established by the International Standards Organization (ISO) and adopted by the American Bearing Manufacturers Association (ABMA) and the American National Standards Institute (ANSI).

A system of limits and fits has been established by ISO for shafts. A portion of this system has been adopted by ABMA to provide flexibility in selecting shaft fits. Shaft fits are designated by a lower case letter and a number, such as h6. The letter indicates the location of the shaft tolerance limits with respect to the nominal bearing bore. The number indicates the size of the tolerance zone.

Shaft fits recommended for various types of applications are listed in the table at right. A graphic relationship of various shaft fits is illustrated in the figure at the left.

Many factors influence the proper fit of the bearing inner ring on a shaft. The magnitude of the load and its direction with respect to bearing inner or outer rings are generally the first factors considered in shaft fit selection. The effects of other factors such as vibration, shock, temperature, speed, etc., are of secondary importance but sometimes need to be considered. Where assembly or disassembly requirements are of prime importance special shaft fits may be required.

Appropriate diameter shafting is determined (as shown) from the tables below.



Class of Fit and Shaft Diameters (inches/μm)

Bearing Series, 1000, 1200, 1300, 1900, 5200, 5300, 7300	Nominal Bearing Bore And Shaft Diameter		Bearing Bore Tolerance ▲	Bearing/Shaft Diameter Fits ▲				
				H6		M5		
				Tolerance		Tolerance		
Basic Size	mm	inches	um	inches	Fit	Shaft Dia.	Fit	Shaft Dia.
					.0004T	-.0000	.0011T	0.0007
04	20.000	0.7874	0	0.0000	.0005L	-.0005	.0003T	0.0003
05	25.000	0.9843	-10	-.0004	10T	0	27T	17
06	30.000	1.1811			13L	-13	8T	8
07	35.000	1.3780			.0005T	0.0000	.0013T	0.0008
08	40.000	1.5748	0	0.0000	.0006L	-.0006	.0004T	0.0004
09	45.000	1.7717	-12	-.0005	12T	0	33T	20
10	50.000	1.9685			16L	-16	9T	9
11	55.000	2.1654						
12	60.000	2.3622			.0006T	0.0000	.0016T	0.001
13	65.000	2.5591	0	0.0000	.0007L	0.0007	.0005T	0.0005
14	70.000	2.7559	-15	-.0006	15T	0	39T	24
15	75.000	2.9528			19L	-19	11T	11
16	80.000	3.1496						
17	85.000	3.3465						
18	90.000	3.5433			.0008T	-.0000	.0019T	0.0011
19	95.000	3.7402	0	0.0000	.0009L	-.0009	.0005T	0.0005
20	100.000	3.9370	-20	-.0008	20T	0	48T	28
21	105.000	4.1339			22L	-22	13T	13
22	110.000	4.3307						
24	120.000	4.7244						
26	130.000	5.1181						
28	140.000	5.5118			.0010T	-.0000	.0023T	0.0013
30	150.000	5.9055	0	0.0000	.0010L	-.0010	.0006T	0.0006
32	160.000	6.2992	-25	-.0010	25T	0	58T	33
34	170.000	6.6929			25L	-25	15T	13
36	180.000	7.0866						
					.0012T	0.000	.0026T	0.0014
38	190.000	7.4803	0	0.0000	.0012L	-.0012	.0006T	0.0006
40	200.000	7.8740	-30	-.0012	30T	0	67T	37
					29L	-29	17T	17

Class of Fit Selection

Operating conditions ■	Nominal shaft dia.		Class of fit	Remarks
	mm	inches		
Inner ring stationary in relation to direction of load	<i>All diameters</i>		h6	Tap fit inner ring
Inner ring rotating in relation to direction of load (Normal load $m=0.18C$)●	17-40	0.67-1.57	m5	Press fit inner ring
	40-65	1.57-2.56	m6	
	65-140	2.56-5.52	n6	
	140-200	5.52-7.88	p6	
Inner ring rotating in relation to direction of load (Heavy load $>.018C$)●	35-65	1.37-2.56	n6	Heavy press fit inner ring
	65-140	2.56-5.52	p6	
	140-200	5.52-7.88	r6	

Bearing/Shaft Diameter Fit

Bearing Series 1000, 1200, 1300, 1900, 5200, 5300, 7300	m6		n6		p6		r6		
	Tolerance		Tolerance		Tolerance		Tolerance		
	Basic size	Fit	Shaft dia.	Fit	Shaft dia.	Fit	Shaft dia.	Fit	Shaft dia.
04
05
06
07	.0015T	0.0010	.0018T	0.0013
thru	.0004T	0.0004	.0007T	0.0007
10	38T	25	46T	33
	9T	9	17T	17
11	.0018T	0.0012	.0021T	0.0015	.0027T	0.0021
thru	.0005T	0.0005	.0008T	0.0008	.0014T	0.0014
16	45T	30	54T	39	66T	51
	11T	11	20T	20	32T	32
17	.0022T	0.0014	.0027T	0.0019	.0033T	0.0025	.0037T	0.0029	0.0029
thru	.0005T	0.0005	.0010T	0.0010	.0016T	0.0016	.0020T	0.0020	0.0020
24	55T	35	65T	45	79T	59	96T	76	76
	13T	13	23T	23	37T	37	54T	54	54
26	.0026T	0.0016	.0032T	0.0022	.0038T	0.0028	.0045T	0.0035	0.0035
thru	.0006T	0.0006	.0012T	0.0012	.0018T	0.0018	.0025T	0.0025	0.0025
36	65T	40	77T	52	93T	68	118T	93	93
	15T	15	27T	27	43T	43	68T	68	68
	.0030T	0.0018	.0038T	0.0026	.0044T	0.0032	.0054T	0.0042	0.0042
38	.0006T	0.0006	.0014T	0.0014	.0020T	0.0020	.0030T	0.0030	0.0030
40	76T	46	90T	60	109T	79	136T	106	106
	17T	17	31T	31	50T	50	77T	77	77

▲ Symbol L indicates a loose or clearance fit. Symbol T indicates a tight or interference fit. The appropriate shaft diameter for any class of fit can be easily determined by applying the shaft tolerance to the nominal shaft diameter. Example: (Using basic bearing size 03 and fit class h6)

	inches		mm	
Nominal shaft diameter	= .6693	.6693	= 17.000	17.000
Shaft diameter tolerance	= +.0000	-.0004	= + 0.000	-0.010

Resultant shaft diameter = .6693 .6689 = 17.000 16.989

1µm = .001 mm

■ For solid steel shafts.

● C = Basic Load Rating of bearing.

▲ The arithmetical mean of the largest and smallest single diameter to be within tolerance shown. Allowable deviations from mean diameter per ANSI/ABMA STD 20, latest printing.

Housing Bearing Seat Diameters

Bearing outside diameter tolerances are in accordance with the system of tolerancing established by the International Standards Organization (ISO) and adopted by the American Bearing Manufacturers Association (ABMA) and the American National Standards Institute (ANSI).

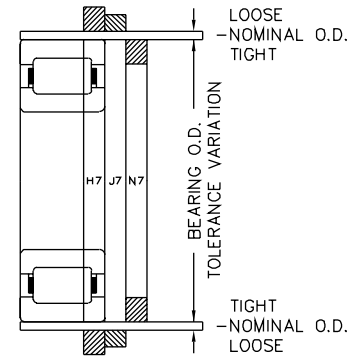
A system of limits and fits has been established by ISO for holes. A portion of this system has been adopted by ABMA to provide flexibility in selecting housing fits. Housing fits are designated by a capital letter and a number such as H7. The letter indicates the location of the housing bore tolerance limits with respect to the nominal bearing O.D. The number indicates the size of the tolerance zone.

Housing fits recommended for various types of applications are listed in the table at the right. A graphic relationship of various housing fits is illustrated in the figure at the left. The class of fit is determined by nature of loading (oscillating, vibrating, reversing, etc.), axial movement requirements, temperature conditions, housing material and cross section of housing.

Shaft expansion increases bearing center distances and requires all but one bearing on a shaft to be movable axially in the housing. In most bearings the outer rings are subjected to stationary loads which permit a loose housing fit.

Operating temperature may affect the housing fit, as the housing may dissipate heat rapidly and not expand with the outer ring. However, the loose fit must never be greater than necessary. Excessive looseness results in less accurate shaft centering and additional ring deformation under load.

The appropriate housing bores are determined (as shown) from the tables below.



Class of Fit and Housing Bores (inches/ μ m)

Bearing Series						Bearing/Housing Diameter Fits Δ						
1900	1000	1200	1300	Nominal Bearing O.D. And Housing Bore	Bearing O.D. Tolerance Δ	H7		J7		N7		
		5200	5300			7300	Tolerance	Tolerance	Tolerance	Tolerance	Tolerance	Tolerance
Basic Size					mm	inches	Fit	Housing Bore	Fit	Housing Bore	Fit	Housing Bore
...	...	205	304	52	2.0472	0	0	0	.0004T	-0.0004	.0002L	-0.0003
...	...	206	305	62	2.4409	-.0005	.0017L	0.0012	.0013L	\neq .0008	.0015T	-0.0015
...	...	207	306	72	2.8346	0	0	0	12T	-12	4L	-9
911	010	208	307	80	3.1496	-13	43L	30	31L	-18	39T	-39
912	...	209	...	85	3.3465							
913	011	210	308	90	3.5433	0	0	0	.0005T	-0.0005	.0002L	-0.0004
...	012	95	3.7402							
914	013	211	309	100	3.9370	-.0006	.0020L	0.0014	.0015L	0.0009	.0018T	-0.0018
915	105	4.1339	0	0	0	13T	-13	5L	-10
916	014	212	310	110	4.3307	-15	50L	35	37L	22	45T	-45
...	015	115	4.5276							
917	...	213	311	120	4.7244							
918	016	214	...	125	4.9213	0	0	0	.0006T	-0.0006	.0002L	-0.0006
919	017	215	312	130	5.1181	-.0008	.0024L	0.0016	.0018L	0.0010	.0022T	-0.0002
920	018	216	313	140	5.5118	0	0	0	14T	-14	6L	-12
921	019	145	5.7087	-20	61L	41	44L	26	52T	-52
922	020	217	314	150	5.9055							
...	021	218	315	160	6.2992	0	0	0	.0006T	-0.0006	.0004L	-0.0006
924	165	6.4961	-.0010	.0026L	0.0016	.0020L	0.001	.0022T	-0.0022
...	022	219	316	170	6.6929	0	0	0	14T	-14	13L	-12
926	024	220	317	180	7.0866	-25	65L	40	51L	26	57T	-52
928	...	221	318	190	7.4803							
...	026	222	319	200	7.8740							
930	028	210	8.2677	0	0	0	.0007T	-0.0007	.0004L	-0.0008
...	...	224	320	215	8.4646	-0.0012	.0030L	0.0018	.0023L	0.0011	.0026T	-0.0026
932	321	220	8.6614	0	0	0	16T	-16	16L	-14
...	030	225	8.8583							
934	...	226	322	230	9.0551	-30	76L	46	60L	30	60T	-60
...	032	240	9.4488							
936	...	228	...	250	9.8425							
938	034	...	324	260	10.2362	0	0	0	.0007T	-0.0007	.0006L	-0.0008
...	...	230	...	270	10.6299	-.0014	.0034L	0.002	.0027L	0.0013	.0028T	-0.0028
940	036	...	326	280	11.0236	0	0	0	16T	-16	21L	-14
...	038	232	...	290	11.4173	-35	87L	52	71L	36	66T	-66
...	328	300	11.8110							
...	040	234	...	310	12.2047							
...	...	236	330	320	12.5984	-.0016	.0038L	0.0022	.0030L	0.0014	.0030T	-0.0008
...	...	238	...	340	13.3858	0	0	0	8T	-18	24L	-16
...	...	240	...	360	14.1732	-40	97L	57	79L	39	73T	-73

1 μ m = .001 mm

□ Minimum housing bore is same as ABMA fit class; tolerance is within ABMA range.

■ Style A outer ring has oversize O.D. designed to give a heavy press fit with a tap fit housing bore. Inner ring to be press fit for values.

Δ The arithmetical mean of the largest and smallest single diameter to be within tolerance shown.

Allowable deviations from mean diameter per ANSI/ABMA STD 20, latest printing.

Class of Fit Selection

Operating conditions	Class of fit	Remarks
Housing stationary in relation to direction of load	H7	Push fit outer ring for non-separable bearing styles MU...UV and MU...UM
Housing stationary in relation to direction of load	J7□	Tap fit outer ring
Housing rotating in relation to direction of load	N7□	Press fit outer ring
	■	Heavy press fit with Style A outer ring

Heavy Press Fit With Style A Outer Ring (inches/μm)

Bearing Series				Nominal Bearing O.D. And Housing Bore Style A Outer Ring		Bearing O.D. Tolerance Δ	Bearing/Housing Diameter Fits ▲			
1900	1000	1200 5200	1300 5300 7300	mm	inches		Tolerance			
Basic Size							Fit		Housing Bore	
...	...	205	304	52.024	2.0482	0.0000	.00000	0	-.0005	-13
...	...	206	305	62.029	2.4421	-0.0005	.0014T	35T	-.0014	-35
...	...	207	306	72.032	2.8359	0	.0001T	2T	-.0006	-15
...	...	207	306	72.032	2.8359	-13	.0016T	40T	-.0016	-40
...	...	207	306	72.032	2.8359	0	.0002T	5T	-.0007	-18
911	010	208	307	80.035	3.151	0	.0017T	43T	-.0017	-43
911	010	208	307	80.035	3.151	0	.0003T	7T	-.0008	-20
911	010	208	307	80.035	3.151	0	.0018T	45T	-.0018	-45
912	...	209	...	85.039	3.348	0	.0004T	10T	-.0010	-25
912	...	209	...	85.039	3.348	0	.0020T	50T	-.0020	-50
913	011	210	308	90.04	3.5449	0	.0005T	13T	-.0011	-28
913	011	210	308	90.04	3.5449	0	.0021T	53T	-.0021	-53
...	012	95.044	3.7419	0.0000	.0006T	15T	-.0012	-30
...	012	95.044	3.7419	-0.0006	.0022T	56T	-.0022	-56
914	013	211	309	100.046	3.9388	0	.0007T	18T	-.0013	-33
914	013	211	309	100.046	3.9388	-15	.0023T	58T	-.0023	-58
915	105.049	4.1358	0	.0008T	20T	-.0014	-35
915	105.049	4.1358	0	.0024T	61T	-.0024	-61
916	014	212	310	110.056	4.3329	0	.0009T	23T	-.0017	-38
916	015	115.057	4.5298	0	.0027T	69T	-.0027	-69
917	...	213	311	120.056	4.7266	0	.0009T	23T	-.0017	-43
918	016	214	...	125.059	4.9236	0.0000	.0029T	74T	-.0029	-74
919	017	215	312	130.058	5.1204	-0.0008	.0010T	25T	-.0018	-45
920	018	216	313	140.058	5.5141	0	.0032T	81T	-.0032	-81
921	019	145.067	5.7113	-20	.0010T	25T	-.0020	-50
922	020	217	314	150.066	5.9081	0	.0034T	86T	-.0034	-86
...	021	218	315	160.071	6.302	0.0000	.0012T	30T	-.0024	-60
924	165.072	6.4989	-0.0010	.0038T	97T	-.0038	-97
...	022	219	316	170.071	6.6957	0	.0013T	33T	-.0025	-63
926	024	220	317	180.071	7.0894	-25	.0039T	99T	-.0039	-99
928	...	221	318	190.076	7.4833	0	.0013T	33T	-.0025	-63
...	026	222	319	200.078	7.8771	-0.0012	.0041T	104T	-.0041	-104
930	028	210.081	8.2709	0	.0014T	36T	-.0026	-66
...	...	224	320	215.087	8.468	-30	.0042T	107T	-.0042	-107
932	220.088	8.6649	0	.0015T	38T	-.0027	-68
...	030	...	321	225.09	8.8618	0	.0043T	109T	-.0043	-109
934	...	226	...	230.091	9.0587	0	.0015T	38T	-.0027	-68
...	032	...	322	240.096	9.4526	-40	.0045T	114T	-.0045	-114
936	...	228	...	250.096	9.8463	0	.0015T	38T	-.0029	-73
...	...	230	...	270.101	10.6339	-0.0014	.0047T	119T	-.0047	-119
940	036	...	326	280.101	11.0276	0	.0016T	41T	-.0030	-76
...	038	232	...	290.109	11.4216	-35	.0017T	43T	-.0031	-78
...	328	300.111	11.8154	0	.0017T	43T	-.0031	-78
...	040	234	...	310.111	12.2091	0	.0051T	130T	-.0051	-130
...	...	236	330	320.121	12.6032	0.0000	.0017T	43T	-.0033	-83
...	...	238	...	340.121	13.3906	-0.0016	.0055T	140T	-.0055	-140
...	...	240	...	360.124	14.1781	0	.0018T	46T	-.0043	-86
...	...	240	...	360.124	14.1781	-40	.0056T	142T	-.0056	-142

▲ Symbol L indicates a loose or clearance fit. Symbol T indicates a tight or interference fit. The appropriate housing bore for any class of fit can be easily determined by applying the housing tolerance to the nominal housing bore. Example: (Using basic bearing size 926 and fit class N7)

Nominal housing bore	inches = 7.0866	7.0866	mm = 180.000	180.000
Housing bore tolerance	= -.0006	-.0022	= -.012	-.052
Resultant housing bore	= 7.0860	7.0844	= 179.988	179.948

Operation Without Inner Ring/Outer Ring

Outer Ring and Roller Assembly

for Series M-EX, M-EAX, M-EB, M-EAB, M-TV, M-TAV, M-UV and M-UAV

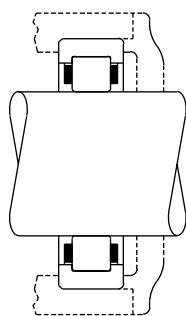
Cylindrical roller bearings with the inner ring omitted may be installed so that the rollers operate directly on the surface of the shaft.

This type of design is useful for applications where space is limited or a larger shaft is required. Surface hardness of shaft must be Rockwell C59 to C64 to achieve full bearing capacity. Where the required hardness cannot be attained, the bearing rating must be reduced accordingly. Where the shaft is case hardened, the combination of case depth and core hardness must be adequate. Consult Rexnord Bearing Division for a specific recommendation. Shaft surface should be finished to a roughness value of 13 micro-inches, RMS, maximum (.33 μm).

Maximum and minimum shaft diameter values for tap fit and press fit outer rings are listed below.

Hardness Factor

If operation at rated capacity is desired when cylindrical roller bearings are used with either ring omitted, the surface on which the rollers operate must have a hardness of Rockwell C59 to C64 or equivalent Brinell hardness (see chart below). If this hardness cannot be attained, the bearing C capacity must be reduced by a rating reduction factor determined from chart on facing page.



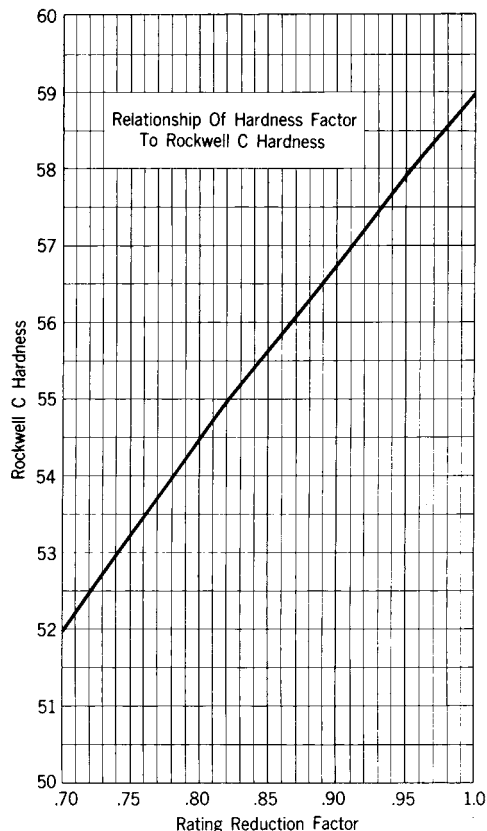
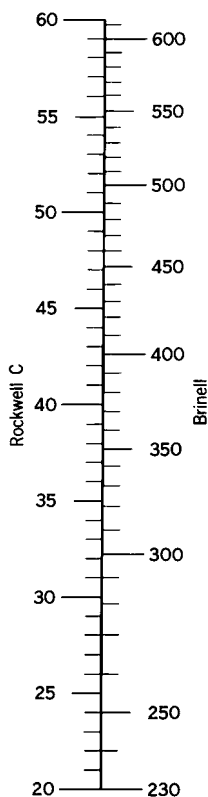
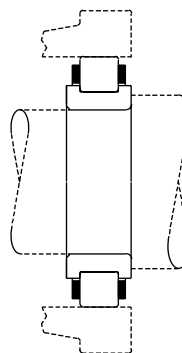
Inner Ring and Roller Assembly

for Series MU-X, MU-B

Cylindrical roller bearings with the outer ring omitted may be installed so that the rollers operate directly on the hardened and ground surface of a bore in an alloy steel housing.

This type of design is useful for applications where space is limited and a smaller housing bore or a larger bearing and shaft are required. Housing surface hardness must be Rockwell C59 to C64 or Brinell equivalent to achieve full bearing capacity. Where the required hardness cannot be attained, the bearing rating must be reduced accordingly. See graph for rating reduction factor. Where the housing bore is case hardened, the combination of case depth and core hardness must be adequate. Consult Rexnord Bearing Division for a specific recommendation. Housing surface should be finished to a roughness value of 13 micro-inches, A.A., maximum (.33 μm).

Maximum and minimum housing bore values for tap fit and press fit inner rings are listed on the next page.



Shaft Diameters for Outer Ring

Shaft Diameter for Tap Fit Outer Ring ▲									Shaft Diameter for Press Fit Outer Ring							
Bearing series	1900		1000		1200-5200		1300-5300-7300		1900	1000		1200-5200		1300-5300-7300		
Basic size	(max-min)								inches							
									(max-min)							
03	0.8757	0.8753	0.8725	0.8721	0.9803	0.9799	0.8750	0.8746	0.8718	0.8714	0.9796	0.9792
04	0.9769	0.9765	1.0329	1.0325	1.1092	1.1087	1.1013	1.1008	0.9762	0.9758	1.0322	1.0318	1.1085	1.1080	1.1005	1.1000
05	1.1759	1.1754	1.2259	1.2254	1.2672	1.2667	1.3383	1.3378	1.1753	1.1748	1.2253	1.2248	1.2665	1.2660	1.3376	1.3371
06	1.3710	1.3705	1.4523	1.4518	1.4994	1.4989	1.6024	1.6019	1.3704	1.3699	1.4515	1.4510	1.4986	1.4981	1.6016	1.6011
07	1.6112	1.6107	1.6611	1.6606	1.7322	1.7317	1.8452	1.8447	1.6104	1.6099	1.6603	1.6598	1.7314	1.7309	1.8444	1.8439
08	1.8061	1.8056	1.8777	1.8772	1.9667	1.9662	2.0600	2.0595	1.8054	1.8049	1.8770	1.8765	1.9660	1.9655	2.0590	2.0585
09	2.0263	2.0258	2.0831	2.0825	2.1870	2.1864	2.3382	2.3376	2.0255	2.0250	2.0823	2.0817	2.1861	2.1855	2.3373	2.3367
10	2.2014	2.2008	2.2802	2.2796	2.3816	2.3810	2.5660	2.5654	2.2006	2.2000	2.2794	2.2788	2.3807	2.3801	2.5651	2.5645
11	2.4316	2.4310	2.5408	2.5402	2.6354	2.6348	2.8136	2.8130	2.4308	2.4302	2.5398	2.5392	2.6344	2.6338	2.8127	2.8121
12	2.6316	2.6310	2.7377	2.7371	2.8511	2.8505	3.0545	3.0538	2.6307	2.6301	2.7368	2.7362	2.8502	2.8496	3.0534	3.0527
13	2.8267	2.8261	2.9348	2.9341	3.1677	3.1670	3.2957	3.2950	2.8258	2.8252	2.9339	2.9332	3.1668	3.1661	3.2946	3.2939
14	3.0719	3.0712	3.1588	3.1581	3.3392	3.3385	3.5132	3.5125	3.0710	3.0703	3.1579	3.1572	3.3381	3.3374	3.5120	3.5113
15	3.2669	3.2662	3.3569	3.3562	3.5063	3.5056	3.7780	3.7772	3.2660	3.2653	3.3560	3.3553	3.5052	3.5045	3.7769	3.7761
16	3.4619	3.4612	3.5969	3.5962	3.7532	3.7525	4.0031	4.0023	3.4610	3.4603	3.5958	3.5951	3.7520	3.7513	4.0020	4.0012
17	3.7274	3.7267	3.7944	3.7936	4.0182	4.0174	4.2746	4.2738	3.7265	3.7258	3.7933	3.7925	4.0171	4.0163	4.2735	4.2727
18	3.9225	3.9217	4.0324	4.0316	4.2235	4.2227	4.4915	4.4907	3.9214	3.9206	4.0313	4.0305	4.2224	4.2216	4.4902	4.4894
19	4.1174	4.1166	4.2284	4.2276	4.4714	4.4706	4.8113	4.8105	4.1163	4.1155	4.2273	4.2265	4.4703	4.4695	4.8099	4.8091
20	4.3330	4.3322	4.4254	4.4246	4.7663	4.7655	5.1267	5.1258	4.3319	4.3311	4.4243	4.4235	4.7652	4.7644	5.1254	5.1245

Housing Bore for Outer Ring

Housing Bore for Tap Fit Inner Ring									Housing Bore for Press Fit Inner Ring							
Bearing series	1900		1000		1200-5200		1300-5300-7300		1900	1000		1200-5200		1300-5300-7300		
Basic size	(max-min)								inches							
									(max-min)							
03	1.1992	1.1988	1.3708	1.3704	1.5402	1.5398	1.1996	1.1992	1.3712	1.3708	1.5406	1.5402
04	1.2689	1.2685	1.4383	1.4379	1.6075	1.6070	1.7305	1.7300	1.2694	1.2690	1.4388	1.4384	1.6080	1.6075	1.7309	1.7304
05	1.4680	1.4675	1.6314	1.6309	1.7656	1.7651	2.1031	2.1026	1.4686	1.4681	1.6320	1.6315	1.7661	1.7656	2.1036	2.1031
06	1.6631	1.6626	2.9090	1.9085	2.1285	2.1280	2.3780	2.3775	1.6637	1.6632	1.9096	1.9091	2.1291	2.1286	2.3785	2.3780
07	1.9346	1.9341	2.1594	2.1589	2.4591	2.4586	2.6745	2.6740	1.9353	1.9348	2.1600	2.1595	2.4597	2.4592	2.6751	2.6746
08	2.2116	2.2111	2.3760	2.3755	2.7405	2.7400	3.0572	3.0567	2.2123	2.2118	2.3767	2.3762	2.7411	2.7406	3.0578	3.0573
09	2.4317	2.4312	2.6430	2.6424	2.9517	2.9511	3.3894	3.3888	2.4325	2.4320	2.6438	2.6432	2.9526	2.9520	3.3902	3.3896
10	2.6068	2.6062	2.8400	2.8394	3.1311	3.1305	3.7195	3.7189	2.6077	2.6071	2.8409	2.8403	3.1319	3.1313	3.7203	3.7197
11	2.8881	2.8875	3.1697	3.1691	3.4646	3.4640	4.0784	4.0778	2.8892	2.8886	3.1707	3.1701	3.4656	3.4650	4.0793	4.0787
12	3.0882	3.0876	3.3668	3.3662	3.8481	3.8475	4.4280	4.4273	3.0893	3.0887	3.3678	3.3672	3.8491	3.8485	4.4289	4.4282
13	3.2832	3.2826	3.5639	3.5632	4.1649	4.1642	4.7775	4.7768	3.2843	3.2837	3.5649	3.5642	4.1658	4.1651	4.7758	4.7751
14	3.6316	3.6309	3.9323	3.9316	4.3902	4.3895	5.0926	5.0919	3.6329	3.6322	3.9337	3.9330	4.3915	4.3908	5.0938	5.0931
15	3.8266	3.8259	4.1304	4.1297	4.5573	4.5566	5.4770	5.4762	3.8280	3.8273	4.1317	4.1310	4.5585	4.5578	5.4782	5.4774
16	4.0217	4.0210	Δ	Δ	4.9068	4.9061	5.8033	5.8025	4.0230	4.0223	Δ	Δ	4.9081	4.9074	5.8045	5.8037
17	4.3561	4.3554	4.6515	4.6507	5.2829	5.2821	6.1966	6.1958	4.3578	4.3571	4.6772	4.6764	5.2845	5.2837	6.1981	6.1973
18	4.5512	4.5504	5.0292	5.0284	5.5968	5.5960	6.5109	6.5101	4.5529	4.5521	5.0309	5.0301	5.5984	5.5976	6.5124	6.5116
19	4.7463	4.7455	5.2253	5.2245	5.9532	5.9524	6.8308	6.8300	4.7480	4.7472	5.2269	5.2261	5.9548	5.9540	6.8322	6.8314
20	5.1064	5.1056	Δ	Δ	6.3459	6.3451	7.2787	7.2778	5.1082	5.1074	Δ	Δ	6.3474	6.3466	7.2802	7.2793

For shaft diameters larger than above, consult Rexnord Bearing Division.

Δ For size, consult Rexnord Bearing Division.

▲ Shaft diameter limits also apply to Style A outer ring bearings.

■ Hultgren 10 mm ball penetrator; 3000 kg load.

□ Brale penetrator; 150 kg load.

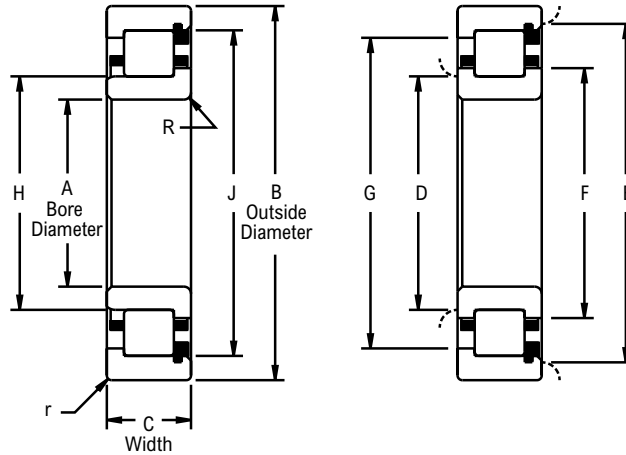
25 mm, 30 mm, 35 mm, 40 mm Bores



Photo Shows an Unmounted Cylindrical Roller Bearing Assembly

Product Features

- Fully crowned rollers
- Precision ground ribs
- Contoured roller pockets
- Rollers individually separated
- Optional full complement
- See Features and Benefits for additional info on page 448.



Bearing Dimensions

Basic Bearing Number	A Bore Diameter		B Outside Diameter		C Bearing Width		D		E		F	G	H	J	R	r
	mm	in	mm	in	mm	in	Plain	Ribbed	Plain	Ribbed						
1205	25.0000	0.9843	52.0000	2.0472	15.0000	0.5906	30.50	32.00	47.00	44.70	34.32	42.95	32.166	44.854	1.02	1.02
5205					20.6380	0.8125										
1305					17.0000	0.6693										
7305					21.0000	0.8268										
5305					25.4000	1.0000										
1206	30.0000	1.1811	62.0000	2.4409	16.0000	0.6299	36.10	37.80	56.40	53.80	40.87	51.48	38.062	54.074	1.02	1.02
5206					23.8120	0.9375										
1306					19.0000	0.7480										
7306					23.0000	0.9055										
5306					30.1620	1.1875										
1207	35.0000	1.3780	72.0000	2.8346	17.0000	0.6693	41.60	43.90	65.30	62.20	47.29	59.51	43.970	62.471	1.02	1.02
5207					26.9980	1.0629										
1307					21.0000	0.8268										
7307					26.0000	1.0236										
5307					34.9250	1.3750										
1208	40.0000	1.5748	80.0000	3.1496	18.0000	0.7087	47.20	49.80	72.90	69.60	53.44	66.42	49.929	69.619	1.52	1.02
5208					30.1620	1.1875										
1308					23.0000	0.9055										
7308					30.0000	1.1811										
5308					36.5120	1.4375										

Additional Notes

- Please call 1-866-REXNORD for availability
- Dimensions "R" & "r", largest fillet radius that will clear bearing corners
- For the Selection Guide, Load Ratings and Speed Limits, see the Link-Belt Cylindrical Roller Bearing Engineering section on pages 450 - 465.
- For shaft and housing bearing seat diameters, see Link-Belt Cylindrical Roller Bearing Shaft & Housing Seat Diameters section on pages 460 - 465.
- Note: Dimensions subject to change. Certified dimensions of ordered material furnished on request.

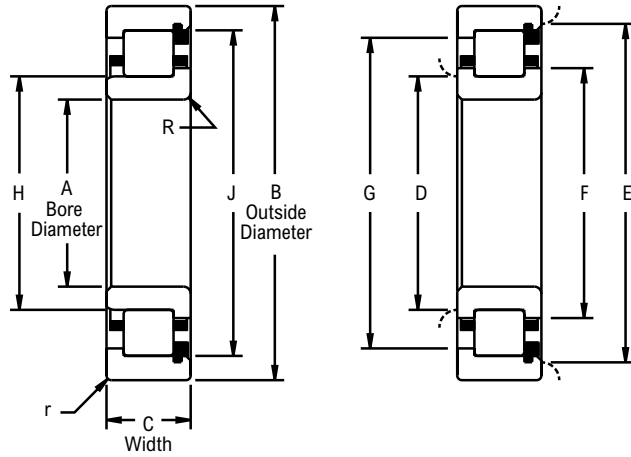
45 mm, 50 mm, 55 mm Bores



Photo Shows an Unmounted Cylindrical Roller Bearing Assembly

Product Features

- Fully crowned rollers
- Precision ground ribs
- Contoured roller pockets
- Rollers individually separated
- Optional full complement
- See Features and Benefits for additional info on page 448.



Bearing Dimensions

Basic Bearing Number	A Bore Diameter		B Outside Diameter		C Bearing Width		D		E		F	G	H	J	R	r										
	mm	in	mm	in	mm	in	Plain	Ribbed	Plain	Ribbed																
1209	45.0000	1.7717	85.0000	3.3465	19.0000	0.7480	52.80	55.40	78.20	74.90	59.03	71.80	55.519	74.988	1.52	1.02										
5209					30.1620	1.1875																				
1309					25.0000	0.9843																				
7309					31.0000	1.2205																				
5309					39.6880	1.5625																				
1010	50.0000	1.9685	80.0000	3.1496	16.0000	0.6299	56.10	57.60	74.40	72.10	60.43	69.62	57.882	72.151	1.52	1.02										
1210					20.0000	0.7874																				
5210					30.1620	1.1875																				
1310					27.0000	1.0630																				
7310					33.0000	1.2992																				
5310	44.4500	1.7500																								
1911	55.0000	2.1654	80.0000	3.1496	13.0000	0.5118	59.90	61.70	75.20	73.20	64.26	70.84	61.722	73.378	1.02	1.02										
1011					18.0000	0.7087																				
1211					21.0000	0.8268																				
5211					33.3380	1.3125																				
1311					29.0000	1.1417																				
7311					36.0000	1.4173																				
5311					49.2120	1.9375											66.50	71.40	108.70	103.40	77.34	98.04	71.432	103.607	2.03	2.03

Additional Notes

- Please call 1-866-REXNORD for availability
- Dimensions "R" & "r", largest fillet radius that will clear bearing corners
- For the Selection Guide, Load Ratings and Speed Limits, see the Link-Belt Cylindrical Roller Bearing Engineering section on pages 450 - 465.
- For shaft and housing bearing seat diameters, see Link-Belt Cylindrical Roller Bearing Shaft & Housing Seat Diameters section on pages 460 - 465.
- Note: Dimensions subject to change. Certified dimensions of ordered material furnished on request.

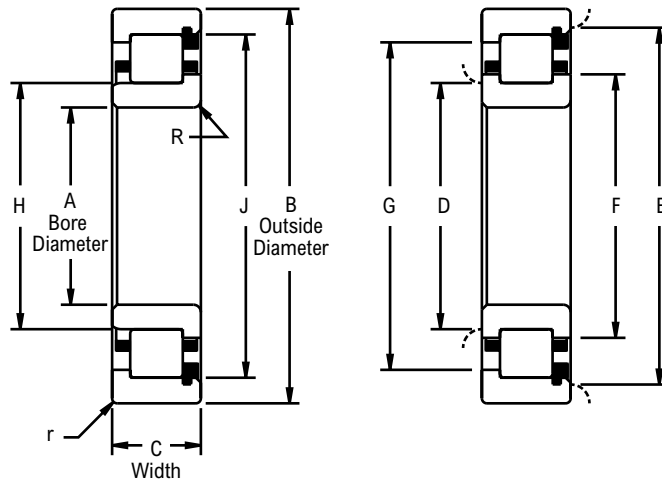
60 mm, 65 mm, 70 mm Bores



Photo Shows an Unmounted Cylindrical Roller Bearing Assembly

Product Features

- Fully crowned rollers
- Precision ground ribs
- Contoured roller pockets
- Rollers individually separated
- Optional full complement
- See Features and Benefits for additional info on page 448.



Bearing Dimensions

Basic Bearing Number	A Bore Diameter		B Outside Diameter		C Bearing Width		D		E		F	G	H	J	R	r	
	mm	in	mm	in	mm	in	Plain	Ribbed	Plain	Ribbed							
1912	60.0000	2.3622	85.0000	3.3465	13.0000	0.5118	65.00	66.80	80.30	78.20	69.34	75.92	66.802	78.461	1.02	1.02	
1012			95.0000	3.7402	18.0000	0.7087	67.00	69.30	88.60	85.30	72.69	82.35	69.499	85.534	1.52		
1212			110.0000	4.3307	22.0000	0.8661	69.30	72.10	101.30	97.50	76.94	93.50	72.380	97.762	2.03		1.52
5212			36.5120	1.4375													
1312			130.0000	5.1181	31.0000	1.2205	72.90	77.50	117.80	112.30	84.02	106.35	77.551	112.486	2.54		2.03
7312					38.0000	1.4961											
5312					53.9750	2.1250											
1913	65.0000	2.5591	90.0000	3.5433	13.0000	0.5118	70.10	71.60	85.30	83.30	74.30	80.87	71.755	83.416	1.02	1.02	
1013			100.0000	3.9370	18.0000	0.7087	72.10	74.40	93.70	90.40	77.72	87.35	74.503	90.541	1.52		
1213			120.0000	4.7244	23.0000	0.9055	77.00	80.30	110.00	105.70	85.34	101.24	80.421	105.804	2.54		1.52
5213			38.1000	1.5000													
1313			140.0000	5.5118	33.0000	1.2992	78.70	83.60	127.00	121.20	90.70	114.68	83.675	121.366	2.03		
7313					40.0000	1.5748											
5313					58.7380	2.3125											
1914	70.0000	2.7559	100.0000	3.9370	16.0000	0.6299	75.90	78.00	94.50	92.20	80.82	89.41	77.978	92.268	1.02	1.02	
1014			110.0000	4.3307	20.0000	0.7874	77.50	80.00	103.40	99.80	84.12	95.99	80.188	99.906	2.03		
1214			125.0000	4.9213	24.0000	0.9449	81.80	84.60	115.60	111.50	89.61	107.01	84.772	111.536	2.54		1.52
5214			39.6880	1.5625													
1314			150.0000	5.9055	35.0000	1.3780	84.30	89.20	135.60	129.30	96.72	122.20	89.192	129.375	3.18		2.03
7314					43.0000	1.6929											
5314					63.6000	2.5039											

Additional Notes

- Please call 1-866-REXNORD for availability
- Dimensions "R" & "r", largest fillet radius that will clear bearing corners
- For the Selection Guide, Load Ratings and Speed Limits, see the Link-Belt Cylindrical Roller Bearing Engineering section on pages 450 - 465.
- For shaft and housing bearing seat diameters, see Link-Belt Cylindrical Roller Bearing Shaft & Housing Seat Diameters section on pages 460 - 465.
- Note: Dimensions subject to change. Certified dimensions of ordered material furnished on request.

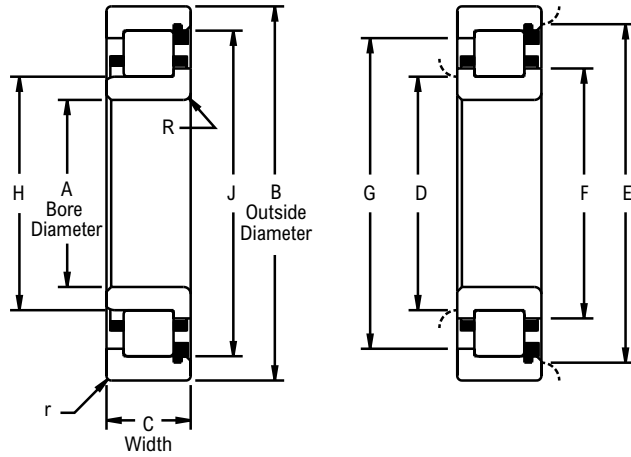
75 mm, 80 mm, 85 mm Bores



Photo Shows an Unmounted Cylindrical Roller Bearing Assembly

Product Features

- Fully crowned rollers
- Precision ground ribs
- Contoured roller pockets
- Rollers individually separated
- Optional full complement
- See Features and Benefits for additional info on page 448.



Bearing Dimensions

Basic Bearing Number	A Bore Diameter		B Outside Diameter		C Bearing Width		D		E		F	G	H	J	R	r	
	mm	in	mm	in	mm	in	Plain	Ribbed	Plain	Ribbed							
1915	75.0000	2.9528	105.0000	4.1339	16.0000	0.6299	80.80	82.80	99.60	97.00	85.78	94.39	82.931	97.221	1.02	1.02	
1015			115.0000	4.5276	20.0000	0.7874	82.60	85.10	108.40	104.90	89.15	101.02	85.217	104.938	2.03		
1215			130.0000	5.1181	25.0000	0.9843	85.60	88.90	120.10	115.60	93.85	111.25	89.014	115.781	2.54		1.52
5215			41.2750	1.6250													
1315			160.0000	6.2992	37.0000	1.4567	90.40	95.80	145.80	138.90	104.04	131.37	95.920	139.136	3.18		2.03
7315					46.0000	1.8110											
5315					68.2620	2.6875											
1916	80.0000	3.1496	110.0000	4.3307	16.0000	0.6299	85.80	87.90	104.40	102.10	90.73	99.34	87.884	102.176	1.02	1.02	
1016			125.0000	4.9213	22.0000	0.8661	88.40	91.20	117.60	113.50	95.71	109.45	91.313	113.088	2.03		
1216			140.0000	5.5118	26.0000	1.0236	91.20	95.20	129.30	124.50	100.79	119.38	95.286	124.658	2.54		
5216			44.4500	1.7500													
1316			170.0000	6.6929	39.0000	1.5354	96.00	101.60	154.40	147.30	110.29	139.19	101.636	147.424	3.18		2.03
7316					49.0000	1.9291											
5316	68.2620	2.6875															
1917	85.0000	3.3465	120.0000	4.7244	18.0000	0.7087	92.20	94.50	113.80	101.50	97.82	107.47	94.615	110.678	1.52	1.02	
1017			130.0000	5.1181	22.0000	0.8661	93.50	96.30	122.70	118.60	100.63	114.48	96.317	118.173	2.03		
1217			150.0000	5.9055	28.0000	1.1024	98.00	101.80	139.20	134.10	108.05	128.42	102.006	134.216	3.18		2.03
5217			49.2120	1.9375													
1317			180.0000	7.0866	41.0000	1.6142	102.90	108.40	164.30	157.20	118.24	148.64	108.522	157.422	3.96		2.54
7317					51.0000	2.0079											
5317					73.0250	2.8750											

Additional Notes

- Please call 1-866-REXNORD for availability
- Dimensions "R" & "r", largest fillet radius that will clear bearing corners
- For the Selection Guide, Load Ratings and Speed Limits, see the Link-Belt Cylindrical Roller Bearing Engineering section on pages 450 - 465.
- For shaft and housing bearing seat diameters, see Link-Belt Cylindrical Roller Bearing Shaft & Housing Seat Diameters section on pages 460 - 465.
- Note: Dimensions subject to change. Certified dimensions of ordered material furnished on request.

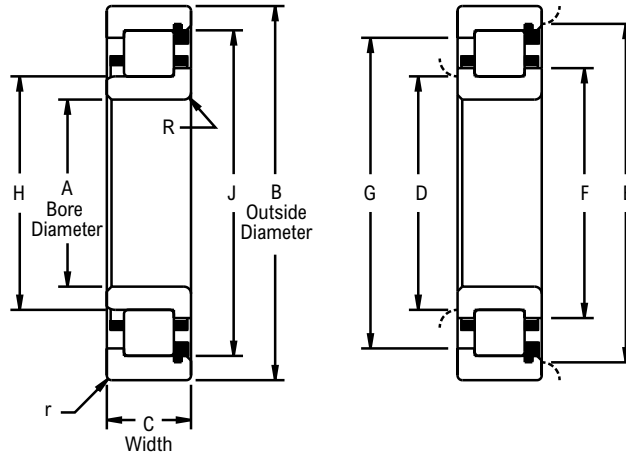
90 mm, 95 mm, 100 mm Bores



Photo Shows an Unmounted Cylindrical Roller Bearing Assembly

Product Features

- Fully crowned rollers
- Precision ground ribs
- Contoured roller pockets
- Rollers individually separated
- Optional full complement
- See Features and Benefits for additional info on page 448.



Bearing Dimensions

Basic Bearing Number	A Bore Diameter		B Outside Diameter		C Bearing Width		D		E		F	G	H	J	R	r														
	mm	in	mm	in	mm	in	Plain	Ribbed	Plain	Ribbed																				
1918	90.0000	3.5433	125.0000	4.9213	18.0000	0.7087	97.00	99.60	118.60	115.60	102.77	112.92	99.568	115.636	1.52	1.02														
1018			140.0000	5.5118	24.0000	0.9449	99.60	102.40	131.60	127.80	107.42	122.71	102.362	127.775	2.54	1.52														
1218			160.0000	6.2992	30.0000	1.1811	52.3880	2.0625	103.10	107.20	147.60	142.00	114.17	135.89	107.218	142.189	3.18	2.03												
5218			52.3880	2.0625	103.10	107.20													147.60	142.00	114.17	135.89	107.218	142.189	3.18	2.03				
1318			190.0000	7.4803	43.0000	1.6929	54.0000	2.1260	108.20	113.80	172.70	165.40	124.33	156.16	114.031	165.047	3.96	2.54												
7318																			54.0000	2.1260	108.20	113.80	172.70	165.40	124.33	156.16	114.031	165.047	3.96	2.54
5318																			73.0250	2.8750	108.20	113.80	172.70	165.40	124.33	156.16	114.031	165.047	3.96	2.54
1919	95.0000	3.7402	130.0000	5.1181	18.0000	0.7087	102.10	104.40	123.70	120.40	107.72	117.40	104.521	120.589	1.52	1.02														
1019			145.0000	5.7087	24.0000	0.9449	104.40	107.20	136.60	132.60	112.40	127.68	107.340	132.756	2.54	1.52														
1219			170.0000	6.6929	32.0000	1.2598	55.5620	2.1875	109.00	113.30	157.00	151.10	121.03	144.48	113.518	151.242	3.18	2.03												
5219			55.5620	2.1875	109.00	113.30													157.00	151.10	121.03	144.48	113.518	151.242	3.18	2.03				
1319			200.0000	7.8740	45.0000	1.7717	56.0000	2.2047	115.10	121.90	181.90	173.50	132.46	164.29	122.154	173.530	3.96	2.54												
7319																			56.0000	2.2047	115.10	121.90	181.90	173.50	132.46	164.29	122.154	173.530	3.96	2.54
5319																			77.7780	3.0621	115.10	121.90	181.90	173.50	132.46	164.29	122.154	173.530	3.96	2.54
1920	100.0000	3.9370	140.0000	5.5118	20.0000	0.7874	107.20	110.00	133.40	129.50	113.92	125.81	109.995	129.738	1.52	1.02														
1020			150.0000	5.9055	24.0000	0.9449	109.50	112.30	141.70	137.70	117.52	132.59	112.344	137.759	2.54	1.52														
1220			180.0000	7.0866	34.0000	1.3386	60.3250	2.3750	116.10	120.90	167.10	161.00	128.45	154.18	121.006	161.216	3.96	2.03												
5220			60.3250	2.3750	116.10	120.90													167.10	161.00	128.45	154.18	121.006	161.216	3.96	2.03				
1320			215.0000	8.4646	47.0000	1.8504	60.0000	2.3622	122.40	130.00	194.60	184.60	140.46	175.06	130.165	184.907	4.75	2.54												
7320																			60.0000	2.3622	122.40	130.00	194.60	184.60	140.46	175.06	130.165	184.907	4.75	2.54
5320																			82.5500	3.2500	122.40	130.00	194.60	184.60	140.46	175.06	130.165	184.907	4.75	2.54

Additional Notes

- Please call 1-866-REXNORD for availability
- Dimensions "R" & "r", largest fillet radius that will clear bearing corners
- For the Selection Guide, Load Ratings and Speed Limits, see the Link-Belt Cylindrical Roller Bearing Engineering section on pages 450 - 465.
- For shaft and housing bearing seat diameters, see Link-Belt Cylindrical Roller Bearing Shaft & Housing Seat Diameters section on pages 460 - 465.
- Note: Dimensions subject to change. Certified dimensions of ordered material furnished on request.

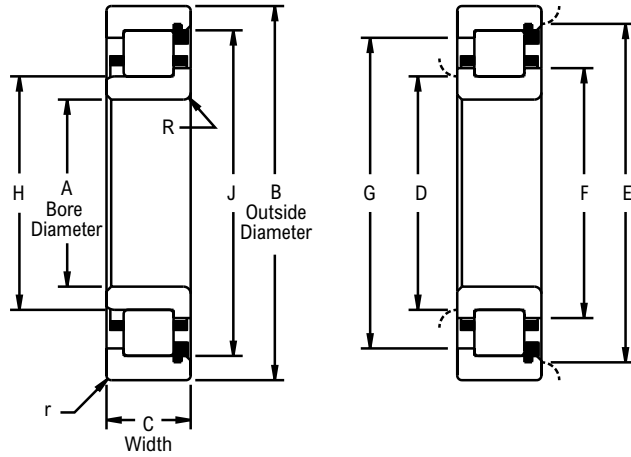
105 mm, 110 mm, 120 mm Bores



Photo Shows an Unmounted Cylindrical Roller Bearing Assembly

Product Features

- Fully crowned rollers
- Precision ground ribs
- Contoured roller pockets
- Rollers individually separated
- Optional full complement
- See Features and Benefits for additional info on page 448.



Bearing Dimensions

Basic Bearing Number	A Bore Diameter		B Outside Diameter		C Bearing Width		D		E		F	G	H	J	R	r
	mm	in	mm	in	mm	in	Plain	Ribbed	Plain	Ribbed						
1921	105.0000	4.1339	145.0000	5.7087	20.0000	0.7874	112.00	114.80	138.20	134.60	118.92	130.81	114.996	134.739	1.52	1.02
1021			160.0000	6.2992	26.0000	1.0236	115.80	119.10	150.10	145.80	124.48	140.61	119.151	145.941	2.54	2.03
1221			190.0000	7.4803	36.0000	1.4173	121.40	126.50	175.30	168.40	134.87	161.01	126.520	168.562	3.96	
5221			65.0880	2.5625	49.0000	1.9291	128.00	136.10	203.40	193.30	147.17	183.16	136.185	193.456	4.75	2.54
1321			225.0000	8.8583	63.0000	2.4803										
7321			87.3120	3.4375	87.3120	3.4375										
5321																
1922	110.0000	4.3307	150.0000	5.9055	20.0000	0.7874	117.10	119.90	143.20	139.70	123.93	135.81	119.995	139.741	1.52	1.02
1022			170.0000	6.6929	28.0000	1.1024	121.90	125.20	159.20	154.70	131.09	149.00	125.349	154.744	2.54	2.03
1222			200.0000	7.8740	38.0000	1.4961	127.20	132.80	183.90	176.00	141.60	168.43	132.951	176.192	3.96	
5222			69.8500	2.7500	50.0000	1.9685	135.90	145.00	217.20	206.20	157.48	195.38	145.255	206.337	4.75	2.54
1322			240.0000	9.4488	65.0000	2.5591										
7322			92.0750	3.6250	92.0750	3.6250										
5322																
1924	120.0000	4.7244	165.0000	6.4961	22.0000	0.8661	129.80	131.30	157.70	153.90	135.97	149.50	131.498	153.985	2.03	1.02
1024			180.0000	7.0866	28.0000	1.1024	132.10	135.10	169.20	164.60	141.22	158.90	135.357	164.754	3.18	2.03
1224			215.0000	8.4646	40.0000	1.5748	139.20	145.00	198.90	190.80	154.30	182.73	145.138	190.952	4.75	
5224			76.2000	3.0000	55.0000	2.1654	147.80	157.00	135.20	223.00	170.18	211.20	157.023	223.053	6.35	2.54
1324			260.0000	10.2362	71.0000	2.7953										
7324			104.7750	4.1250	104.7750	4.1250										
5324																

Additional Notes

- Please call 1-866-REXNORD for availability
- Dimensions "R" & "r", largest fillet radius that will clear bearing corners
- For the Selection Guide, Load Ratings and Speed Limits, see the Link-Belt Cylindrical Roller Bearing Engineering section on pages 450 - 465.
- For shaft and housing bearing seat diameters, see Link-Belt Cylindrical Roller Bearing Shaft & Housing Seat Diameters section on pages 460 - 465.
- Note: Dimensions subject to change. Certified dimensions of ordered material furnished on request.

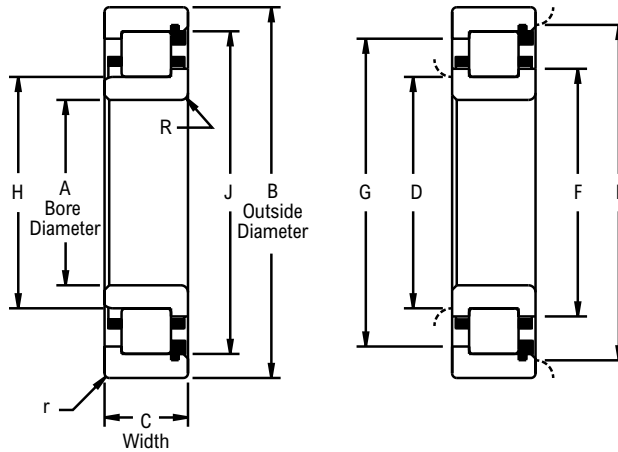
130 mm, 140 mm, 150 mm Bores



Photo Shows an Unmounted Cylindrical Roller Bearing Assembly

Product Features

- Fully crowned rollers
- Precision ground ribs
- Contoured roller pockets
- Rollers individually separated
- Optional full complement
- See Features and Benefits for additional info on page 448.



Bearing Dimensions

Basic Bearing Number	A Bore Diameter		B Outside Diameter		C Bearing Width		D		E		F	G	H	J	R	r
	mm	in	mm	in	mm	in	Plain	Ribbed	Plain	Ribbed						
1926	130.0000	5.1181	180.0000	7.0866	24.0000	0.9449	139.20	142.20	171.70	167.60	147.42	162.99	142.367	167.085	2.03	1.52
1026			200.0000	7.8740	33.0000	1.2992	143.00	147.60	188.20	182.40	154.56	175.59	147.574	182.570	3.18	2.03
1226			230.0000	9.0551	40.0000	1.5748	149.10	154.90	213.90	206.20	164.72	197.13	154.973	206.375	4.75	2.54
5226			79.3750	3.1250												
1326			280.0000	11.0236	58.0000	2.2835	160.30	170.40	254.50	242.60	184.91	229.77	170.536	242.755	6.35	3.18
7326					75.0000	2.9528										
5326					111.1250	4.3750										
1928	190.0000	7.4803			24.0000	0.9449										
1028	140.0000	5.5118	210.0000	8.2677	33.0000	1.2992	153.70	157.50	198.10	192.50	164.54	185.60	157.556	192.557	3.96	2.03
1228			250.0000	9.8425	42.0000	1.6535	161.50	168.40	232.40	224.30	179.07	214.38	168.460	224.417	4.75	2.54
5228			82.5500	3.2500												
1328			300.0000	11.8110	62.0000	2.4409	172.00	181.60	271.30	258.10	196.98	244.35	181.684	258.082	7.92	3.18
7328					83.0000	3.2677										
5328					114.3000	4.5000										
1930	150.0000	5.9055	210.0000	8.2677	28.0000	1.1024	161.50	165.40	199.10	194.60	171.22	188.92	165.354	194.790	3.18	2.03
1030			225.0000	8.8583	35.0000	1.3780	164.30	168.60	212.30	206.20	176.20	198.93	168.681	206.454	3.96	
1230			270.0000	10.6299	45.0000	1.7717	174.20	181.40	251.00	241.80	193.04	231.01	181.544	241.854	6.35	2.54
5230			88.9000	3.5000												

Additional Notes

- Please call 1-866-REXNORD for availability
- Dimensions "R" & "r", largest fillet radius that will clear bearing corners
- For the Selection Guide, Load Ratings and Speed Limits, see the Link-Belt Cylindrical Roller Bearing Engineering section on pages 450 - 465.
- For shaft and housing bearing seat diameters, see Link-Belt Cylindrical Roller Bearing Shaft & Housing Seat Diameters section on pages 460 - 465.
- Note: Dimensions subject to change. Certified dimensions of ordered material furnished on request.

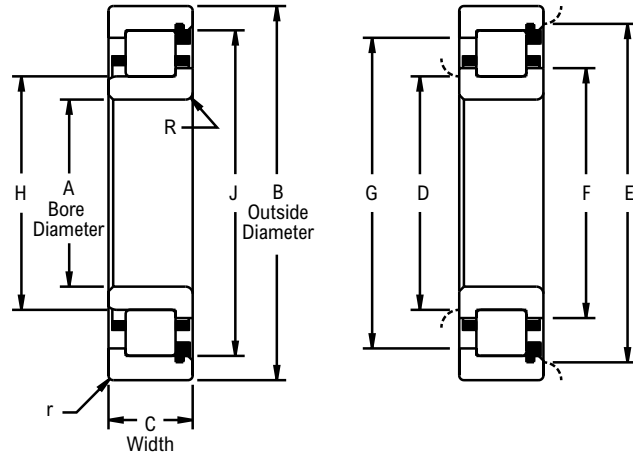
160 mm, 170 mm, 180 mm, 190 mm, 200 mm Bores



Photo Shows an Unmounted Cylindrical Roller Bearing Assembly

Product Features

- Fully crowned rollers
- Precision ground ribs
- Contoured roller pockets
- Rollers individually separated
- Optional full complement
- See Features and Benefits for additional info on page 448.



Bearing Dimensions

Basic Bearing Number	A Bore Diameter		B Outside Diameter		C Bearing Width		D		E		F	G	H	J	R	r
	mm	in	mm	in	mm	in	Plain	Ribbed	Plain	Ribbed						
1932	160.0000	6.2992	220.0000	8.6614	28.0000	1.1024	171.70	175.30	209.30	204.70	181.25	198.96	175.387	204.828	3.18	2.03
1032			240.0000	9.4488	38.0000	1.4961	175.50	179.80	226.60	220.00	187.96	212.17	179.934	220.193	3.96	
1232			290.0000	11.4173	48.0000	1.8898	185.70	193.50	269.50	259.60	205.87	247.83	193.634	259.705	6.35	
5232			98.4250	3.8750												
1934	170.0000	6.6929	230.0000	9.0551	28.0000	1.1024	181.60	185.40	219.20	214.60	191.29	208.99	185.420	214.866	3.18	2.03
1034			260.0000	10.2362	42.0000	1.6535	188.20	193.30	244.10	236.50	202.31	227.81	193.421	236.710	4.75	
1234			310.0000	12.2047	52.0000	2.0472	197.10	205.20	287.50	277.60	219.08	264.74	205.483	277.734	6.35	
5234			104.7750	4.1250												
1936	180.0000	7.0866	250.0000	9.8425	33.0000	1.2992	193.00	197.60	238.20	232.40	204.60	225.68	197.612	232.644	3.96	2.03
1036			280.0000	11.0236	46.0000	1.8110	199.60	205.50	262.90	254.50	215.34	244.80	205.588	254.551	4.75	
1236			320.0000	12.5984	52.0000	2.0472	207.50	216.20	298.20	288.50	229.87	275.56	216.289	288.544	6.35	
5236			107.9500	4.2500												
1938	190.0000	7.4803	260.0000	10.2362	33.0000	1.2992	202.90	182.10	248.40	242.60	214.71	235.79	207.719	242.768	3.96	2.03
1038			290.0000	11.4173	46.0000	1.8110	209.60	215.40	272.80	264.40	225.93	254.23	215.595	264.576	4.75	
1238			340.0000	13.3858	55.0000	2.1654	220.10	229.10	320.37	309.63	244.11	290.48	229.276	309.723	7.42	
5238			114.3000	4.5000												
1940	200.0000	7.8740	280.0000	11.0236	38.0000	1.4961	215.40	220.00	266.40	260.10	227.99	252.22	219.964	260.256	4.75	2.03
1040			310.0000	12.2047	51.0000	2.0079	221.00	227.60	291.30	282.40	238.61	271.58	227.686	282.506	7.92	
1240			360.0000	14.1732	58.0000	2.2835	232.40	242.10	334.50	322.60	257.43	308.20	242.197	322.651	7.92	
5240			120.6500	4.7500												

Additional Notes

- Please call 1-866-REXNORD for availability
- Dimensions "R" & "r", largest fillet radius that will clear bearing corners
- For the Selection Guide, Load Ratings and Speed Limits, see the Link-Belt Cylindrical Roller Bearing Engineering section on pages 450 - 465.
- For shaft and housing bearing seat diameters, see Link-Belt Cylindrical Roller Bearing Shaft & Housing Seat Diameters section on pages 460 - 465.
- Note: Dimensions subject to change. Certified dimensions of ordered material furnished on request.

25 mm thru 95 mm Bores

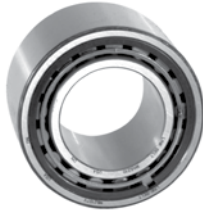
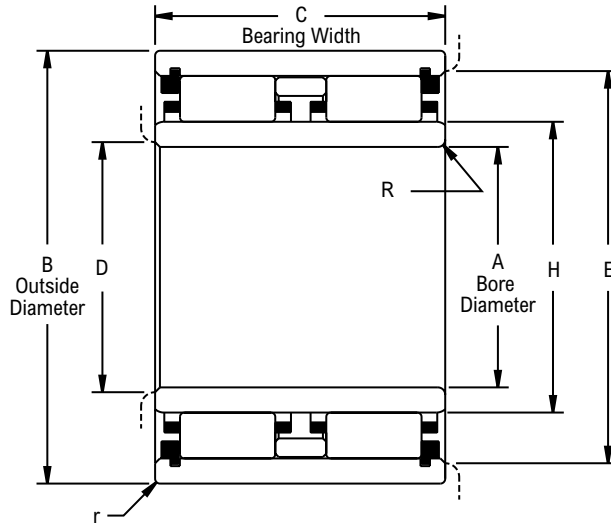


Photo Shows an Unmounted Cylindrical Roller Bearing Assembly

Product Features

- Double row
- Fully crowned rollers
- Contoured roller pockets
- Rollers individually separated
- See Features and Benefits for additional info on page 448.

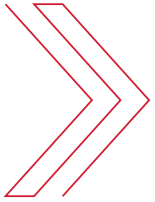


Bearing Dimensions

Basic Bearing Number	A Bore Diameter		B Outside Diameter		C Bearing Width		D	E	H	J O.R. Raceway I.D.	R	r	C Basic Load Rating	Co Basic Static Load Rating
	mm	in	mm	in	mm	in								
6205	25.0000	0.9843	52.0000	2.0472	41.2750	1.6250	30.50	47.00	32.166	44.854	1.02	1.02	10,200	15,700
6206	30.0000	1.1811	62.0000	2.4409	47.6250	1.8750	36.10	56.40	38.062	54.074	1.02	1.02	15,500	24,300
6207	35.0000	1.3780	72.0000	2.8346	53.9750	2.1250	41.60	65.30	43.970	62.471	1.02	1.02	19,400	30,600
6208	40.0000	1.5748	80.0000	3.1496	60.3250	2.3750	47.20	72.90	49.929	69.619	1.52	1.02	24,600	41,300
6209	45.0000	1.7717	85.0000	3.3465	60.3250	2.3750	52.80	78.20	55.519	74.988	1.52	1.02	26,700	47,500
6210	50.0000	1.9685	90.0000	3.5433	60.3250	2.3750	57.60	82.80	60.460	79.545	1.52	1.02	27,100	50,300
6211	55.0000	2.1654	100.0000	3.9370	66.6750	2.6250	64.00	87.90	66.901	88.019	2.03	1.52	32,900	61,900
6212	60.0000	2.3622	110.0000	4.3307	73.0250	2.8750	69.30	101.30	72.380	97.762	2.03	1.52	42,300	77,700
6213	65.0000	2.5591	120.0000	4.7244	76.2000	3.0000	77.00	110.00	80.421	105.804	2.54	1.52	45,900	88,700
6214	70.0000	2.7559	125.0000	4.9213	79.3750	3.1250	81.80	115.60	84.772	111.536	2.54	1.52	51,300	100,000
6215	75.0000	2.9528	130.0000	5.1181	82.5500	3.2500	85.60	120.10	89.014	115.781	2.54	1.52	55,800	113,000
6216	80.0000	3.1496	140.0000	5.5118	88.9000	3.5000	91.20	129.30	95.286	124.658	2.54	2.03	63,100	127,000
6217	85.0000	3.3465	150.0000	5.9055	98.4250	3.8750	98.00	101.80	102.006	134.216	3.18	2.03	77,600	159,000
6218	90.0000	3.5433	160.0000	6.2992	104.7750	4.1250	103.10	147.60	107.218	142.189	3.18	2.03	87,400	178,000
6219	95.0000	3.7402	170.0000	6.6929	111.1250	4.3750	109.00	157.00	113.518	151.242	3.18	2.03	100,000	206,000

Additional Notes

- Please call 1-866-REXNORD for availability
- Dimensions "R" & "r", largest fillet radius that will clear bearing corners
- For the Selection Guide, Load Ratings and Speed Limits, see the Link-Belt Cylindrical Roller Bearing Engineering section on pages 450 - 465.
- Note: Dimensions subject to change. Certified dimensions of ordered material furnished on request.



FILAMENT BEARINGS

Standard Sleeves: Rex RPT

CONTENTS

PAGE

Features and Benefits	478
Nomenclature	479
Engineering	480
Dimensions	
Straight Sleeve	482

INDUSTRIES SERVED

Construction
Agriculture
Food
Marine
General Industrial



Rex RPT Bearings

Rex RPT bearings are self-lubricating, non-metallic straight sleeve, round bore bearings in industry standard outside diameter, inside diameter and length dimensions. Ideal for a wide range of wet and dry applications, including aerial lifts, pallet and reach trucks, boat lifts, seeders, tillers, plows, sprayers, fillers and cappers, valves and many more, our bearings offer customers a competitive economical solution for all of their toughest problems. Additionally, customers can count on Rexnord to deliver these in-stock bearings in industry-leading turnaround times of five business days to three weeks.

General Bearing Information:

- Typical dynamic loading from 500 to 12,000 psi
- Operating temperatures from -320 °F to 325 °F (-195.6 °C to 162.8 °C)
- Static and dynamic coefficient of friction from .12 to .06



Features and Benefits

Range of in-stock standard diameter, lengths and wall dimension options

Diameter sizes range from 1/2 inch to 5 inches; lengths are available from 1/4 inch to 10 inches; with wall thicknesses of 1/8 inch and 1/4 inch.

Unique Composition

The non-metallic design combination of Teflon™ fiber, fiberglass and resin offers a corrosion-, moisture-, seizure-, chemical- and fretting-resistant product which reduces downtime and improves productivity.

Rugged Performance

The non-metallic combination is an alternative to metallic bushings that require lubrication in low to moderate load applications. The self-lubricated design maintains peak performance throughout the product life while allowing the customer to eliminate costly lubrication systems.

Lightweight Solution

Rex RPT bearings weigh 77 percent less than steel bearings and 30 percent less than aluminum bearings. This reduced weight offers easier handling and installation and a reduced equipment weight which will lower maintenance costs and provide an extra-long product life.

Variety of Uses

The non-metallic combination allows the Rex RPT bearing to provide electrical insulation as well as reduced noise levels compared to metallic bushings. This bearing can be used on a wide variety of equipment, including underwater applications and other hard to access locations.



▼ Teflon™ is a trademark of The Chemours Company FC, LLC used under license by Toray Fluorofibers (America), Inc.

Nomenclature

Symbol	Description	
		7GP1 - 08 12 - 028
7GP1	Rex RPT Straight Sleeve Bearing	----- ----- ----- -----
08	Bearing Nominal ID in sixteenths of an inch (1 inch = 16)	----- ----- ----- -----
12	Bearing Nominal OD in sixteenths of an inch (1 inch = 16)	----- ----- ----- -----
028	Bearing Length in sixteenths of an inch (1 inch = 016)	----- ----- ----- -----

Design and Application Guidelines

The overall performance of filament wound bearings is directly affected by operating factors such as applied loads, operating motions, duty cycle, environmental conditions, installation methods, shaft finish and hardness. While specific design criteria are not available for all applications, certain guidelines must be followed to provide the rated life.

Loads and Ratings

The filament wound back-up material in RPT journal bearings is capable of withstanding static radial load levels as high as 60,000 psi on the projected bearing area. This is in excess of the fabric liner capability of 50,000 psi based on previous experiences. The load deflection relationship of RPT journal bearings and metal-backed Teflon™ lined bearings is very similar. The yield point and ultimate strength of the filament wound back-up material are approximately equal.

$$\text{Project Bearing Area (PBA)} = \text{I.D.} \times \text{Length}$$

$$\text{Bearing Stress (PSI)} = \frac{\text{Bearing Load}}{\text{PBA}}$$

Load-life Relationship

Since accumulated wear terminates the useful life of a properly selected Teflon™ liner bearing, the RPT selection procedure is based on the use of Bearing Area Factors (BAF), rather than load ratings, to select a bearing which meets the combined load-life requirements of the application. The Bearing Area Factor (BAF) is a numerical index of a bearing's dynamic performance ability and is based upon effective bearing area.

RPT bearings are rated on the basis of L10 life expectancy which means that 90% of a given group of bearings will exceed the predicted life. The correlation of load and life is shown in the lower half of the Selection Chart which relates the BAF to cycle of life.

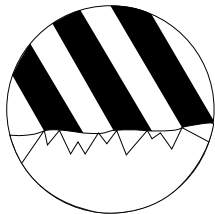
Bearing Area Factor

$$\text{BAF} = \text{I.D.}^{0.491} \times (W - .090)$$

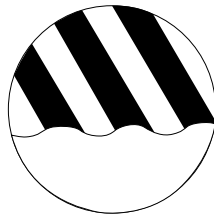
$$\text{I.D.} = \text{Bearing Inner Diameter}$$

$$W = \text{Bearing Length}$$

All dimensions are in inches



Sharp Machining Marks



Polished Machining Marks

Surface roughness values do not define the character of the finish. Polished shafting (right) normally produces longer bearing life.

Full Rotation

Full rotation can be accommodated if load and speed are below the curve in the following graph. See reference formula for pressure and velocity.

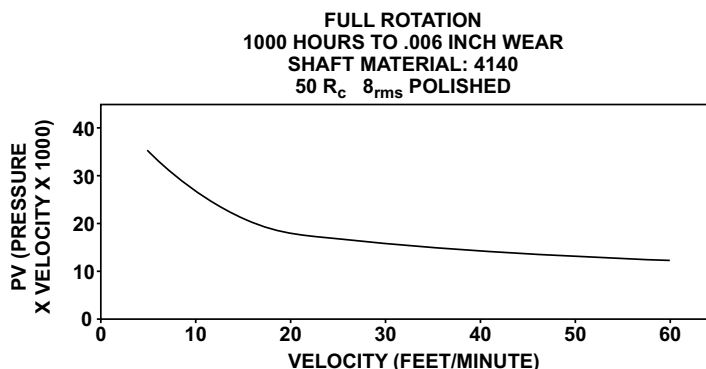
Formulae used in the selection of RPT bearings.

$$\text{Bearing Pressure} \quad \text{PSI} = \frac{\text{Load lbs.}}{\text{I.D.} \times W}$$

$$\text{Speed (Surface Velocity)} \quad \text{Full Rotation}$$

$$\text{Surface velocity (Ft/Min)} = .262 \times \text{I.D.} \times \text{RPM}$$

*All dimensions are in inches



Friction

Rex RPT bearings offer low-friction operation. Friction coefficients vary from .12 to .06 depending on the load level. Increased loading results in significant decrease in coefficient of friction. Also, as the bearing "breaks in", the coefficient of friction decreases.

Motion

RPT bearings can withstand various degrees of motion, depending upon speed and load. They will operate under all degrees of motion normally encountered in applications. Note that the degree of oscillation can affect bearing performance and must be taken into account when making a bearing selection, as shown on the nomograph.

Laboratory testing of filament journal bearings has shown their capacity to operate successfully under the low speeds, (less than 90 cycles per minute), high load conditions, (up to 20,000 psi), as well as the high speeds, (up to 300 cpm), light load (less than 5,000 psi) conditions.

Temperature

The normal operating temperature range for RPT bearings is -320 °F to 325 °F. Satisfactory operation can be obtained with limited exposure to temperatures as high as 400 °F. However, at continuous temperatures above 325 °F, an increase in wear rates will be experienced. Contact a Rexnord engineer for applications at cryogenic temperature, as well as for applications.

Shaft Recommendations

Since the shaft surface significantly affects the operation of the journal bearing design, its selection in regard to material, hardness, coating and surface roughness is crucial.

High loads require smooth surfaces with hardened and heat-treated shafts. With stress levels above 8,000 psi, shafting should have a surface finish of 8 micro inch or better to achieve optimum performance. However, tests have been run on 25-30 micro inch finishes with 55 Rc shafts at 4,000 psi with acceptable results.

Shafting Materials

A number of shaft materials have been used in conjunction with RPT bearings:

1. 52100 high carbon steel
2. 4140 chrome and nickel plated steel
3. 300 and 400 series stainless steel
4. Precipitation hardened grades 17-4PH, 15-5PH, 13-8PH Moly chrome and nickel plated stainless steel
5. 2000 and 7000 series aluminum grade hard-anodized
6. Low to high carbon steels

Rex RPT Bearing Selection

The RPT selection graph is designed to handle general applications described by the following parameters:

- Speed not exceeding 60 cycles per minute (12FPM)
- Pressures not exceeding 25,000 psi
- Oscillations 10° and greater, up to 90° included angle

For application requirements exceeding these parameters – consult a Rexnord engineer.

RPT selection problems are typically either: (a) a life calculation where load and size are known or (b) a size selection, where load and required life are known.

Using the selection graph, and following the steps outlined can handle either situation:

Life Calculation – (known load, oscillation and bearing size)

1. Convert oscillation angle to included angle, then follow that line horizontally until it intersects load level.
2. From that point, drop vertically down the chart until the BAF value is intersected. See section Design and Application Guidelines - Load-life relationship for complete explanation of BAF.
3. From that point, follow horizontally and read resulting cycles of life (to .006 wear).

Size Selection – (known load, oscillation and required life)

1. Locate the intersection of the oscillation angle and load lines.
2. Drop vertically down the chart until the required life value is intersected.
3. Determine the required capacity BAF by following the inclined line from that point.
4. Select appropriate size bearing from the thin or heavy series with a BAF in excess of that value, incorporating any known size restrictions – and checking to assure that pin strength (bending) is adequate.

Example – Life Calculation – See graph “BLACK LINES (Dashed)” for example below

Information required to use the selection chart is as follows:

- Oscillation angle ±25 degrees
- Radial Load 15,000 lbs
- Bearing size 1" dia, 5/8" long

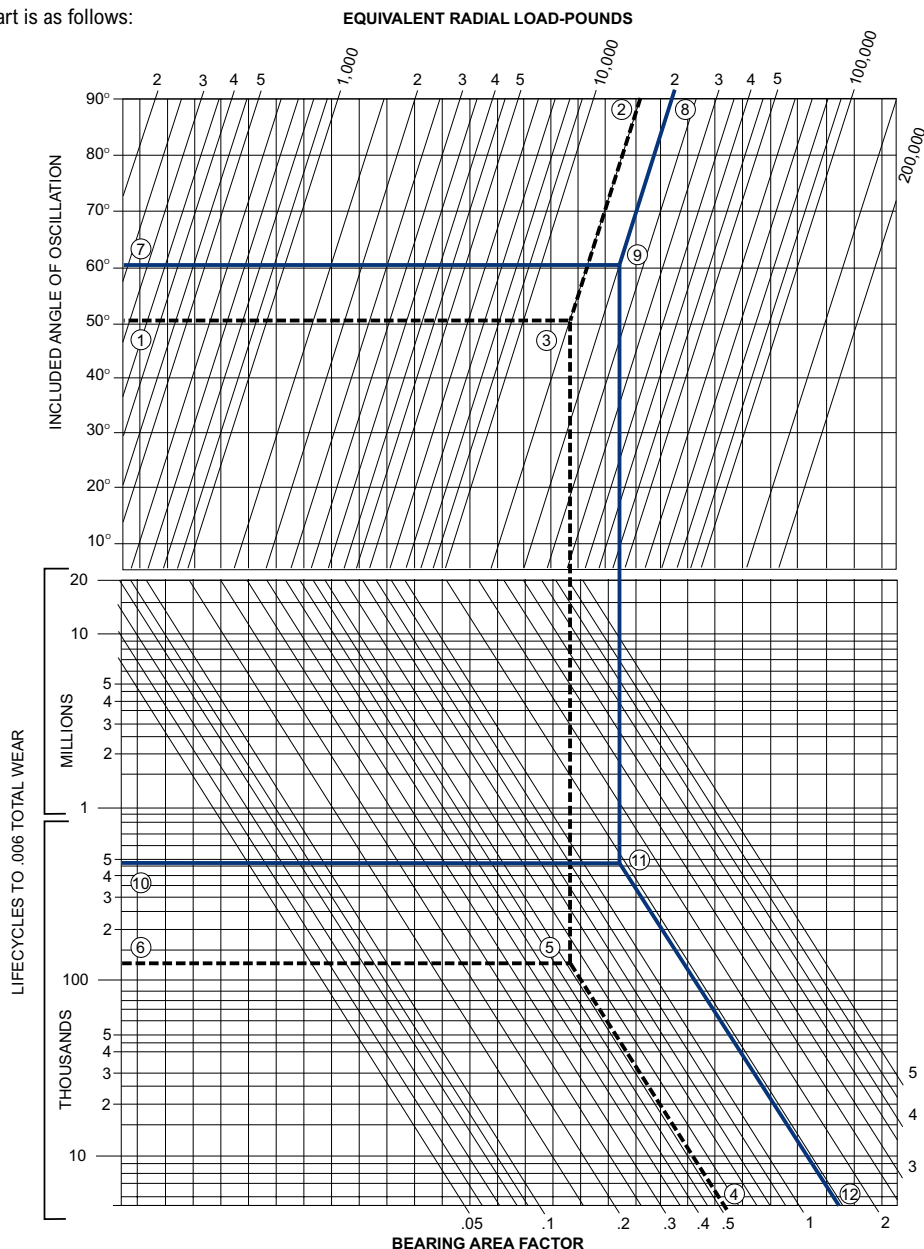
1. Included angle equals the plus and minus motion although the midpoint of the cycle, ±25 degrees equals an included angle of 50 degrees (point 1)
 - a. Radial load equals 15,000 lbs (point 2). These two intersect at (point 3).
2. The BAF for a 1" dia., with 5/8" (.625) width bearing is .536, as found (point 4). This line intersects that (point 3) requirement at (point 5).
3. To determine life to .006 inch wear from chart read the vertical axis value (point 6), which equals 130,000 cycles. Information required to use the selection chart is as follows:

Example – Size Selection – See graph “BLUE LINES (Bolded)” for example below

Information to use chart is as follows:

- Oscillation angle ±30 degrees
- Radial Load 20,000 lbs
- Required life 500,000 cycles
- Size restriction Cannot exceed 1-1/4" dia pin

1. Included angle equals the plus and minus motion through the midpoint of the cycle, thus ±30 degrees equals an included angle of 60 degrees (point 7), the radial load is 20,000 pounds (point 8), and the intersection of angle and load is (point 9).
2. Move down the chart vertically until the 500,000 cycle life (point 10) line is intersected - (point 11).
3. Follow the inclined line and read the required BAF value (point 12) or 1.5.
4. With a required BAF of 1.5, any bearing from the Product Data Sheets that exceeds the value could be selected ie. with a 1-1/4" dia. pin, a 1-1/2" length is required, thus a 7GP1-2024-024. However, if a 1" dia. pin will accept the load, a longer 1-3/4" length is required (7GP1-1620-028). Checking of pin bending strength is appropriate.

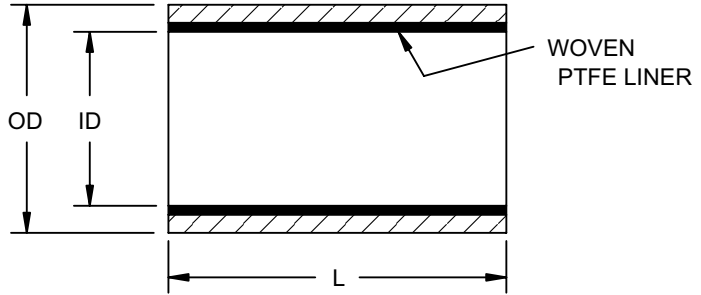


1/8 Inch Wall Straight Sleeve Bearing



Product Features

- Corrosion Resistant
- Self-Lubricating
- Wide Range of Bore sizes and lengths
- Lightweight Teflon and Polyester Construction
- Operating Temps: -320 °F to 325 °F
- Underwater Operation Capability



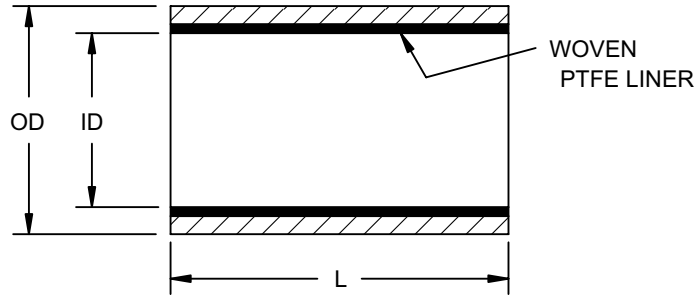
Bearing Dimensions

Bore Size	Part Number	ID	OD	Recommended Sizes			Model Number Suffix													Maximum Length	
				Housing Bore	Max Shaft Dia	Wt (Ref) Lb/in.	L= Length Suffix in Multiples of 1/16" (Tolerance +/- .010)														
							0.250	0.500	0.750	1.000	1.250	1.500	1.0750	2.000	2.250	2.500	2.750	3.000			
1/2	7GP1-0812-XXX	0.506	0.7535	0.7500	0.5000	0.0173															6.000
		0.507	0.7525	0.7505			-004	-008	-012	-016	-020	-024	-028	-032	-036	-040	-044	-048			
5/8	7GP1-1014-XXX	0.631	0.8785	0.8750	0.6250	0.0207															10.000
		0.632	0.8775	0.8755			-004	-008	-012	-016	-020	-024	-028	-032	-036	-040	-044	-048			
3/4	7GP1-1216-XXX	0.756	1.0035	1.0000	0.7500	0.0242															10.000
		0.757	1.0025	1.0005			-004	-008	-012	-016	-020	-024	-028	-032	-036	-040	-044	-048			
7/8	7GP1-1418-XXX	0.881	1.1285	1.1250	0.8750	0.0276															10.000
		0.882	1.1275	1.1255			-004	-008	-012	-016	-020	-024	-028	-032	-036	-040	-044	-048			
1	7GP1-1620-XXX	1.006	1.2535	1.2500	1.0000	0.0311															10.000
		1.007	1.2525	1.2505			-004	-008	-012	-016	-020	-024	-028	-032	-036	-040	-044	-048			
1 1/8	7GP1-1822-XXX	1.131	1.3785	1.3750	1.1250	0.0345															10.000
		1.132	1.3775	1.3755			-004	-008	-012	-016	-020	-024	-028	-032	-036	-040	-044	-048			
1 1/4	7GP1-2024-XXX	1.256	1.5035	1.5000	1.2500	0.0379															10.000
		1.257	1.5025	1.5005			-004	-008	-012	-016	-020	-024	-028	-032	-036	-040	-044	-048			
1 3/8	7GP1-2226-XXX	1.381	1.6285	1.6250	1.3750	0.0414															10.000
		1.382	1.6275	1.6255			-004	-008	-012	-016	-020	-024	-028	-032	-036	-040	-044	-048			
1 1/2	7GP1-2428-XXX	1.506	1.7535	1.7500	1.5000	0.0448															10.000
		1.507	1.7525	1.7505			-004	-008	-012	-016	-020	-024	-028	-032	-036	-040	-044	-048			
1 5/8	7GP1-2630-XXX	1.631	1.8785	1.8750	1.6250	0.0482															10.000
		1.632	1.8775	1.8755			-004	-008	-012	-016	-020	-024	-028	-032	-036	-040	-044	-048			
1 3/4	7GP1-2832-XXX	1.757	2.0035	2.0000	1.7500	0.0515															10.000
		1.758	2.0025	2.0005			-004	-008	-012	-016	-020	-024	-028	-032	-036	-040	-044	-048			
1 7/8	7GP1-3034-XXX	1.882	2.1285	2.1250	1.8750	0.0549															10.000
		1.883	2.1275	2.1255			-004	-008	-012	-016	-020	-024	-028	-032	-036	-040	-044	-048			
2	7GP1-3236-XXX	2.0085	2.2545	2.2500	2.0000	0.0582															10.000
		2.0095	2.2535	2.2510			-004	-008	-012	-016	-020	-024	-028	-032	-036	-040	-044	-048			
2 1/8	7GP1-3438-XXX	2.1335	2.3795	2.3750	2.1250	0.0614															10.000
		2.1345	2.3785	2.3760			-004	-008	-012	-016	-020	-024	028	-032	-036	-040	-044	-048			
2 1/4	7GP1-3640-XXX	2.2585	2.5045	2.5000	2.2500	0.0648															10.000
		2.2595	2.5035	2.5010			-004	-008	-012	-016	-020	-024	-028	-032	-036	-040	-044	-048			
2 3/8	7GP1-3842-XXX	2.3835	2.6295	2.6250	2.3750	0.0682															10.000
		2.3845	2.6285	2.6260			-004	-008	-012	-016	-020	-024	-028	-032	-036	-040	-044	-048			
2 1/2	7GP1-4044-XXX	2.509	2.7545	2.7500	2.5000	0.0714															10.000
		2.510	2.7535	2.7510			-004	-008	-012	-016	-020	-024	-028	-032	-036	-040	-044	-048			
2 3/4	7GP1-4448-XXX	2.759	3.005	3.0000	2.7500	0.0784															10.000
		2.760	3.004	3.0015			-004	-008	-012	-016	-020	-024	-028	-032	-036	-040	-044	-048			
3	7GP1-4852-XXX	3.0080	3.255	3.2500	3.0000	0.0854															10.000
		3.0105	3.254	3.2515																	
3 1/4	7GP1-5256-XXX	3.2580	3.5055	3.5000	3.2500	0.0925															10.000
		3.2605	3.5045	3.5020																	
3 1/2	7GP1-5660-XXX	3.5080	3.7555	3.7500	3.5000	0.0994															10.000
		3.5105	3.7545	3.7520																	
3 3/4	7GP1-6064-XXX	3.7580	4.0055	4.0000	3.7500	0.1062															10.000
		3.7605	4.0045	4.0020																	
4	7GP1-6468-XXX	4.011	4.257	4.2500	4.0000	0.1124															10.000
		4.014	4.256	4.2520																	
4 1/4	7GP1-6872-XXX	4.261	4.507	4.5000	4.2500	0.1186															10.000
		4.264	4.506	4.5020																	
4 1/2	7GP1-7276-XXX	4.511	4.757	4.7500	4.5000	0.1253															10.000
		4.514	4.756	4.7520																	
4 3/4	7GP1-7680-XXX	4.761	5.007	5.0000	4.7500	0.1321															10.000
		4.764	5.006	5.0020																	
5	7GP1-8084-XXX	5.0105	5.257	5.2500	5.0000	0.1391															10.000
		5.0140	5.256	5.2520																	

Standard MODEL SIZES are noted in BLACK. For MODEL SIZES in (BOLD) and shaded (Gray) consult with Rexnord Rex RPT Engineering.

Continued...

1/8 Inch Wall Straight Sleeve Bearing (Continued)



Continued...

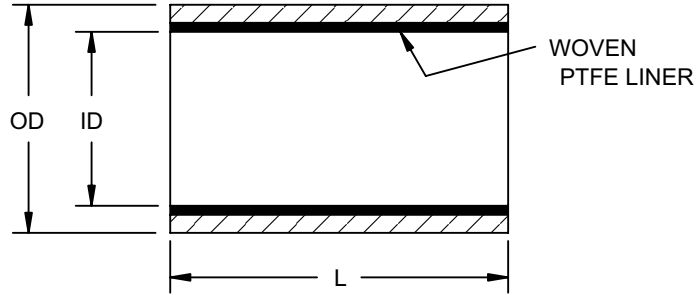
Bearing Dimensions

Bore Size	Part Number	ID	OD	Recommended Sizes			Model Number Suffix												Maximum Length
				Housing Bore	Max Shaft Dia	Wt (Ref) Lb/In.	L= Length Suffix in Multiples of 1/16" (Tolerance +/- .010)												
							3.250	3.500	3.750	4.000	4.250	4.500	4.750	5.000	5.250	5.500	5.750	6.000	
1/2	7GP1-0812-XXX	0.506	0.7535	0.7500	0.5000	0.0173	-052	-056	-060	-064	-068	-072	-076	-080	-084	-088	-092	-096	6.000
		0.507	0.7525	0.7505															
5/8	7GP1-1014-XXX	0.631	0.8785	0.8750	0.6250	0.0207	-052	-056	-060	-064	-068	-072	-076	-080	-084	-088	-092	-096	10.000
		0.632	0.8775	0.8755															
3/4	7GP1-1216-XXX	0.756	1.0035	1.0000	0.7500	0.0242	-052	-056	-060	-064	-068	-072	-076	-080	-084	-088	-092	-096	10.000
		0.757	1.0025	1.0005															
7/8	7GP1-1418-XXX	0.881	1.1285	1.1250	0.8750	0.0276	-052	-056	-060	-064	-068	-072	-076	-080	-084	-088	-092	-096	10.000
		0.882	1.1275	1.1255															
1	7GP1-1620-XXX	1.006	1.2535	1.2500	1.0000	0.0311	-052	-056	-060	-064	-068	-072	-076	-080	-084	-088	-092	-096	10.000
		1.007	1.2525	1.2505															
1 1/8	7GP1-1822-XXX	1.131	1.3785	1.3750	1.1250	0.0345	-052	-056	-060	-064	-068	-072	-076	-080	-084	-088	-092	-096	10.000
		1.132	1.3775	1.3755															
1 1/4	7GP1-2024-XXX	1.256	1.5035	1.5000	1.2500	0.0379	-052	-056	-060	-064	-068	-072	-076	-080	-084	-088	-092	-096	10.000
		1.257	1.5025	1.5005															
1 3/8	7GP1-2226-XXX	1.381	1.6285	1.6250	1.3750	0.0414	-052	-056	-060	-064	-068	-072	-076	-080	-084	-088	-092	-096	10.000
		1.382	1.6275	1.6255															
1 1/2	7GP1-2428-XXX	1.506	1.7535	1.7500	1.5000	0.0448	-052	-056	-060	-064	-068	-072	-076	-080	-084	-088	-092	-096	10.000
		1.507	1.7525	1.7505															
1 5/8	7GP1-2630-XXX	1.631	1.8785	1.8750	1.6250	0.0482	-052	-056	-060	-064	-068	-072	-076	-080	-084	-088	-092	-096	10.000
		1.632	1.8775	1.8755															
1 3/4	7GP1-2832-XXX	1.757	2.0035	2.0000	1.7500	0.0515	-052	-056	-060	-064	-068	-072	-076	-080	-084	-088	-092	-096	10.000
		1.758	2.0025	2.0005															
1 7/8	7GP1-3034-XXX	1.882	2.1285	2.1250	1.8750	0.0549	-052	-056	-060	-064	-068	-072	-076	-080	-084	-088	-092	-096	10.000
		1.883	2.1275	2.1255															
2	7GP1-3236-XXX	2.0085	2.2545	2.2500	2.0000	0.0582	-052	-056	-060	-064	-068	-072	-076	-080	-084	-088	-092	-096	10.000
		2.0095	2.2535	2.2510															
2 1/8	7GP1-3438-XXX	2.1335	2.3795	2.3750	2.1250	0.0614	-052	-056	-060	-064	-068	-072	-076	-080	-084	-088	-092	-096	10.000
		2.1345	2.3785	2.3760															
2 1/4	7GP1-3640-XXX	2.2585	2.5045	2.5000	2.2500	0.0648	-052	-056	-060	-064	-068	-072	-076	-080	-084	-088	-092	-096	10.000
		2.2595	2.5035	2.5010															
2 3/8	7GP1-3842-XXX	2.3835	2.6295	2.6250	2.3750	0.0682	-052	-056	-060	-064	-068	-072	-076	-080	-084	-088	-092	-096	10.000
		2.3845	2.6285	2.6260															
2 1/2	7GP1-4044-XXX	2.509	2.7545	2.7500	2.5000	0.0714	-052	-056	-060	-064	-068	-072	-076	-080	-084	-088	-092	-096	10.000
		2.510	2.7535	2.7510															
2 3/4	7GP1-4448-XXX	2.759	3.005	3.0000	2.7500	0.0784	-052	-056	-060	-064	-068	-072	-076	-080	-084	-088	-092	-096	10.000
		2.760	3.004	3.0015															
3	7GP1-4852-XXX	3.0080	3.255	3.2500	3.0000	0.0854	-052	-056	-060	-064	-068	-072	-076	-080	-084	-088	-092	-096	10.000
		3.0105	3.254	3.2515															
3 1/4	7GP1-5256-XXX	3.2580	3.5055	3.5000	3.2500	0.0925	-052	-056	-060	-064	-068	-072	-076	-080	-084	-088	-092	-096	10.000
		3.2605	3.5045	3.5020															
3 1/2	7GP1-5660-XXX	3.5080	3.7555	3.7500	3.5000	0.0994	-052	-056	-060	-064	-068	-072	-076	-080	-084	-088	-092	-096	10.000
		3.5105	3.7545	3.7520															
3 3/4	7GP1-6064-XXX	3.7580	4.0055	4.0000	3.7500	0.1062	-052	-056	-060	-064	-068	-072	-076	-080	-084	-088	-092	-096	10.000
		3.7605	4.0045	4.0020															
4	7GP1-6468-XXX	4.011	4.257	4.2500	4.0000	0.1124	-052	-056	-060	-064	-068	-072	-076	-080	-084	-088	-092	-096	10.000
		4.014	4.256	4.2520															
4 1/4	7GP1-6872-XXX	4.261	4.507	4.5000	4.2500	0.1186	-052	-056	-060	-064	-068	-072	-076	-080	-084	-088	-092	-096	10.000
		4.264	4.506	4.5020															
4 1/2	7GP1-7276-XXX	4.511	4.757	4.7500	4.5000	0.1253	-052	-056	-060	-064	-068	-072	-076	-080	-084	-088	-092	-096	10.000
		4.514	4.756	4.7520															
4 3/4	7GP1-7680-XXX	4.761	5.007	5.0000	4.7500	0.1321	-052	-056	-060	-064	-068	-072	-076	-080	-084	-088	-092	-096	10.000
		4.764	5.006	5.0020															
5	7GP1-8084-XXX	5.0105	5.257	5.2500	5.0000	0.1391	-052	-056	-060	-064	-068	-072	-076	-080	-084	-088	-092	-096	10.000
		5.0140	5.256	5.2520															

Standard MODEL SIZES are noted in BLACK. For MODEL SIZES in (BOLD) and shaded (Gray) consult with Rexnord Rex RPT Engineering.

Continued...

1/8 Inch Wall Straight Sleeve Bearing (Continued)



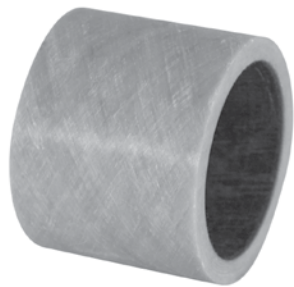
Continued...

Bearing Dimensions

Bore Size	Part Number	ID	OD	Recommended Sizes			Model Number Suffix								Maximum Length	
				Housing Bore	Max Shaft Dia	Wt (Ref) Lb/in.	L= Length Suffix in Multiples of 1/16" (Tolerance +/- .010)									
							6.500	7.000	7.500	8.000	8.500	9.000	9.500	10.000 +/- .025		
1/2	7GP1-0812-XXX	0.506	0.7535	0.7500	0.5000	0.0173										6.000
		0.507	0.7525	0.7505												
5/8	7GP1-1014-XXX	0.631	0.8785	0.8750	0.6250	0.0207	-104	-112	-120	-128	-136	-144	-152	-160	10.000	
		0.632	0.8775	0.8755												
3/4	7GP1-1216-XXX	0.756	1.0035	1.0000	0.7500	0.0242	-104	-112	-120	-128	-136	-144	-152	-160	10.000	
		0.757	1.0025	1.0005												
7/8	7GP1-1418-XXX	0.881	1.1285	1.1250	0.8750	0.0276	-104	-112	-120	-128	-136	-144	-152	-160	10.000	
		0.882	1.1275	1.1255												
1	7GP1-1620-XXX	1.006	1.2535	1.2500	1.0000	0.0311	-104	-112	-120	-128	-136	-144	-152	-160	10.000	
		1.007	1.2525	1.2505												
1 1/8	7GP1-1822-XXX	1.131	1.3785	1.3750	1.1250	0.0345	-104	-112	-120	-128	-136	-144	-152	-160	10.000	
		1.132	1.3775	1.3755												
1 1/4	7GP1-2024-XXX	1.256	1.5035	1.5000	1.2500	0.0379	-104	-112	-120	-128	-136	-144	-152	-160	10.000	
		1.257	1.5025	1.5005												
1 3/8	7GP1-2226-XXX	1.381	1.6285	1.6250	1.3750	0.0414	-104	-112	-120	-128	-136	-144	-152	-160	10.000	
		1.382	1.6275	1.6255												
1 1/2	7GP1-2428-XXX	1.506	1.7535	1.7500	1.5000	0.0448	-104	-112	-120	-128	-136	-144	-152	-160	10.000	
		1.507	1.7525	1.7505												
1 5/8	7GP1-2630-XXX	1.631	1.8785	1.8750	1.6250	0.0482	-104	-112	-120	-128	-136	-144	-152	-160	10.000	
		1.632	1.8775	1.8755												
1 3/4	7GP1-2832-XXX	1.757	2.0035	2.0000	1.7500	0.0515	-104	-112	-120	-128	-136	-144	-152	-160	10.000	
		1.758	2.0025	2.0005												
1 7/8	7GP1-3034-XXX	1.882	2.1285	2.1250	1.8750	0.0549	-104	-112	-120	-128	-136	-144	-152	-160	10.000	
		1.883	2.1275	2.1255												
2	7GP1-3236-XXX	2.0085	2.2545	2.2500	2.0000	0.0582	-104	-112	-120	-128	-136	-144	-152	-160	10.000	
		2.0095	2.2535	2.2510												
2 1/8	7GP1-3438-XXX	2.1335	2.3795	2.3750	2.1250	0.0614	-104	-112	-120	-128	-136	-144	-152	-160	10.000	
		2.1345	2.3785	2.3760												
2 1/4	7GP1-3640-XXX	2.2585	2.5045	2.5000	2.2500	0.0648	-104	-112	-120	-128	-136	-144	-152	-160	10.000	
		2.2595	2.5035	2.5010												
2 3/8	7GP1-3842-XXX	2.3835	2.6295	2.6250	2.3750	0.0682	-104	-112	-120	-128	-136	-144	-152	-160	10.000	
		2.3845	2.6285	2.6260												
2 1/2	7GP1-4044-XXX	2.509	2.7545	2.7500	2.5000	0.0714	-104	-112	-120	-128	-136	-144	-152	-160	10.000	
		2.510	2.7535	2.7510												
2 3/4	7GP1-4448-XXX	2.759	3.005	3.0000	2.7500	0.0784	-104	-112	-120	-128	-136	-144	-152	-160	10.000	
		2.760	3.004	3.0015												
3	7GP1-4852-XXX	3.0080	3.255	3.2500	3.0000	0.0854	-104	-112	-120	-128	-136	-144	-152	-160	10.000	
		3.0105	3.254	3.2515												
3 1/4	7GP1-5256-XXX	3.2580	3.5055	3.5000	3.2500	0.0925	-104	-112	-120	-128	-136	-144	-152	-160	10.000	
		3.2605	3.5045	3.5020												
3 1/2	7GP1-5660-XXX	3.5080	3.7555	3.7500	3.5000	0.0994	-104	-112	-120	-128	-136	-144	-152	-160	10.000	
		3.5105	3.7545	3.7520												
3 3/4	7GP1-6064-XXX	3.7580	4.0055	4.0000	3.7500	0.1062	-104	-112	-120	-128	-136	-144	-152	-160	10.000	
		3.7605	4.0045	4.0020												
4	7GP1-6468-XXX	4.011	4.257	4.2500	4.0000	0.1124	-104	-112	-120	-128	-136	-144	-152	-160	10.000	
		4.014	4.256	4.2520												
4 1/4	7GP1-6872-XXX	4.261	4.507	4.5000	4.2500	0.1186	-104	-112	-120	-128	-136	-144	-152	-160	10.000	
		4.264	4.506	4.5020												
4 1/2	7GP1-7276-XXX	4.511	4.757	4.7500	4.5000	0.1253	-104	-112	-120	-128	-136	-144	-152	-160	10.000	
		4.514	4.756	4.7520												
4 3/4	7GP1-7680-XXX	4.761	5.007	5.0000	4.7500	0.1321	-104	-112	-120	-128	-136	-144	-152	-160	10.000	
		4.764	5.006	5.0020												
5	7GP1-8084-XXX	5.0105	5.257	5.2500	5.0000	0.1391	-104	-112	-120	-128	-136	-144	-152	-160	10.000	
		5.0140	5.256	5.2520												

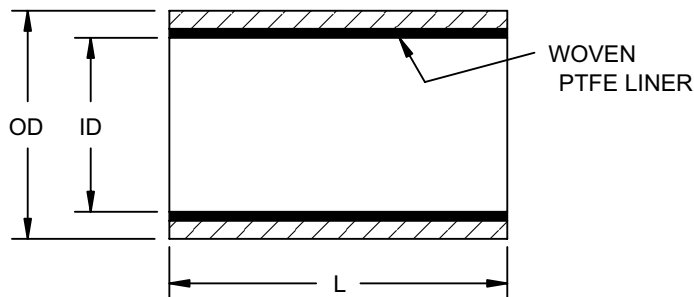
Standard MODEL SIZES are noted in BLACK. For MODEL SIZES in (BOLD) and shaded (Gray) consult with Rexnord Rex RPT Engineering.

1/4 Inch Wall Straight Sleeve Bearing



Product Features

- Corrosion Resistant
- Self-Lubricating
- Wide Range of Bore sizes and lengths
- Lightweight Teflon™ and Polyester Construction
- Operating Temps: -320 °F to 325 °F
- Underwater Operation Capability



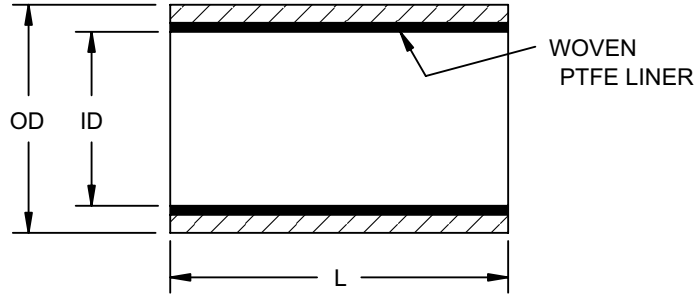
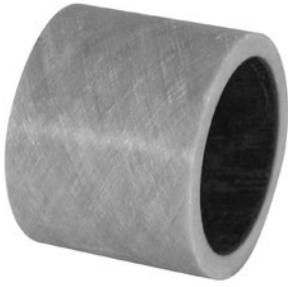
Bearing Dimensions

Bore Size	Part Number	ID	OD	Recommended Sizes			Model Number Suffix L= Length Suffix in Multiples of 1/16" (Tolerance +/- .010)													Maximum Length
				Housing Bore	Max Shaft Dia	Wt (Ref) Lb/In.	0.250	0.500	0.750	1.000	1.250	1.500	1.0750	2.000	2.250	2.500	2.750	3.000		
1/2	7GP1-0816-XXX	0.506	1.0035	1.0000	0.5000	0.0417														6.000
		0.507	1.0025	1.0005																
5/8	7GP1-1018-XXX	0.631	1.1285	1.1250	0.6250	0.0486														10.000
		0.632	1.1275	1.1255																
3/4	7GP1-1220-XXX	0.756	1.2535	1.2500	0.7500	0.0555	-004													10.000
		0.757	1.2525	1.2505																
7/8	7GP1-1422-XXX	0.881	1.3785	1.3750	0.8750	0.0624	-004													10.000
		0.882	1.3775	1.3755																
1	7GP1-1624-XXX	1.006	1.5035	1.5000	1.0000	0.0693	-004													10.000
		1.007	1.5025	1.5005																
1 1/8	7GP1-1826-XXX	1.131	1.6285	1.6250	1.1250	0.0762	-004	-008												10.000
		1.132	1.6275	1.6255																
1 1/4	7GP1-2028-XXX	1.256	1.7535	1.7500	1.2500	0.0831	-004	-008												10.000
		1.257	1.7525	1.7505																
1 3/8	7GP1-2230-XXX	1.381	1.8785	1.8750	1.3750	0.0900	-004	-008												10.000
		1.382	1.8775	1.8755																
1 1/2	7GP1-2432-XXX	1.506	2.0035	2.0000	1.5000	0.0970	-004	-008												10.000
		1.507	2.0025	2.0005																
1 5/8	7GP1-2634-XXX	1.631	2.1285	2.1250	1.6250	0.1039	-004	-008	-012											10.000
		1.632	1.1275	2.1255																
1 3/4	7GP1-2836-XXX	1.757	2.2545	2.2500	1.7500	0.1108	-004	-008	-012											10.000
		1.758	2.2535	2.2510																
1 7/8	7GP1-3038-XXX	1.882	2.3795	2.3750	1.8750	0.1177	-004	-008	-012											10.000
		1.883	2.3785	2.3760																
2	7GP1-3240-XXX	2.0085	2.5045	2.5000	2.0000	0.1243	-004	-008	-012											10.000
		2.0095	2.5035	2.5010																
2 1/8	7GP1-3442-XXX	2.1335	2.6295	2.6250	2.1250	0.1306	-004	-008	-012	-016										10.000
		2.1345	2.6285	2.6260																
2 1/4	7GP1-3644-XXX	2.2585	2.7545	2.7500	2.2500	0.1374	-004	-008	-012	-016										10.000
		2.2595	2.7535	2.7510																
2 3/8	7GP1-3846-XXX	2.3835	2.8795	2.8750	2.3750	0.1442	-004	-008	-012	-016										10.000
		2.3845	2.8785	2.8760																
2 1/2	7GP1-4048-XXX	2.509	3.005	3.0000	2.5000	0.1511	-004	-008	-012	-016										10.000
		2.510	3.004	3.0015																
2 3/4	7GP1-4452-XXX	2.759	3.255	3.2500	2.7500	0.1648	-004	-008	-012	-016	-020									10.000
		2.760	3.254	3.2515																
3	7GP1-4856-XXX	3.0080	3.5055	3.5000	3.0000	0.1790		-008	-012	-016	-020								10.000	
		3.0105	3.5045	3.5020																
3 1/4	7GP1-5260-XXX	3.2580	3.3755	3.3750	3.2500	0.1928		-008	-012	-016	-020	-024							10.000	
		3.2605	3.3745	3.3720																
3 1/2	7GP1-5664-XXX	3.5080	4.0055	4.0000	3.5000	0.2066		-008	-012	-016	-020	-024							10.000	
		3.5105	4.0045	4.0020																
3 3/4	7GP1-6068-XXX	3.7580	4.2555	4.2500	3.7500	0.2203		-008	-012	-016	-020	-024	-028						10.000	
		3.7605	4.2545	4.2520																
4	7GP1-6472-XXX	4.011	4.507	4.5000	4.0000	0.2334		-008	-012	-016	-020	-024	-028						10.000	
		4.014	4.506	4.5020																
4 1/4	7GP1-6876-XXX	4.261	4.757	4.7500	4.2500	0.2459		-008	-012	-016	-020	-024	-028	-032					10.000	
		4.264	4.756	4.7520																
4 1/2	7GP1-7280-XXX	4.511	5.007	5.0000	4.5000	0.2596		-008	-012	-016	-020	-024	-028	-032					10.000	
		4.514	5.006	5.0020																
4 3/4	7GP1-7684-XXX	4.761	5.257	5.2500	4.7500	0.2732		-008	-012	-016	-020	-024	-028	-032	-036				10.000	
		4.764	5.256	5.2520																
5	7GP1-8088-XXX	5.0105	5.507	5.5000	5.0000	0.2871		-008	-012	-016	-020	-024	-028	-032	-036				10.000	
		5.0140	5.506	5.5020																

Standard MODEL SIZES are noted in BLACK. For MODEL SIZES in (BOLD) and shaded (Gray) consult with Rexnord Rex RPT Engineering.

Continued...

1/4 Inch Wall Straight Sleeve Bearing (Continued)



Continued..

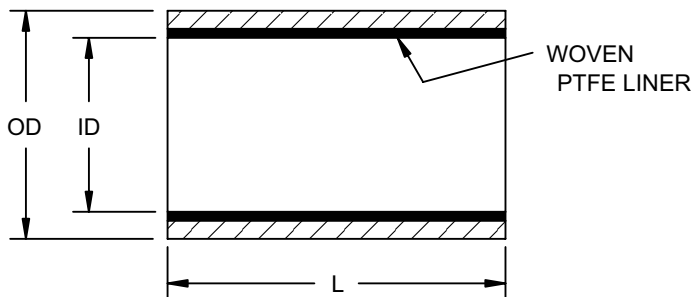
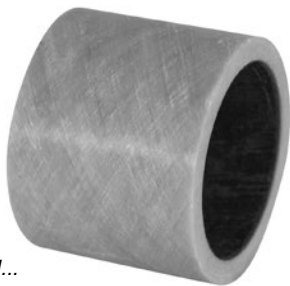
Bearing Dimensions

Bore Size	Part Number	ID	OD	Recommended Sizes			Model Number Suffix												Maximum Length
				Housing Bore	Max Shaft Dia	Wt (Ref) Lb/in.	L= Length Suffix in Multiples of 1/16" (Tolerance +/- .010)												
							3.250	3.500	3.750	4.000	4.250	4.500	4.750	5.000	5.250	5.500	5.750	6.000	
1/2	7GP1-0816-XXX	0.506	1.0035	1.0000	0.5000	0.0417	-052	-056	-060	-064	-068	-072	-076	-080	-084	-088	-092	-096	6.000
		0.507	1.0025	1.0005															
5/8	7GP1-1018-XXX	0.631	1.1285	1.1250	0.6250	0.0486	-052	-056	-060	-064	-068	-072	-076	-080	-084	-088	-092	-096	10.000
		0.632	1.1275	1.1255															
3/4	7GP1-1220-XXX	0.756	1.2535	1.2500	0.7500	0.0555	-052	-056	-060	-064	-068	-072	-076	-080	-084	-088	-092	-096	10.000
		0.757	1.2525	1.2505															
7/8	7GP1-1422-XXX	0.881	1.3785	1.3750	0.8750	0.0624	-052	-056	-060	-064	-068	-072	-076	-080	-084	-088	-092	-096	10.000
		0.882	1.3775	1.3755															
1	7GP1-1624-XXX	1.006	1.5035	1.5000	1.0000	0.0693	-052	-056	-060	-064	-068	-072	-076	-080	-084	-088	-092	-096	10.000
		1.007	1.5025	1.5005															
1 1/8	7GP1-1826-XXX	1.131	1.6285	1.6250	1.1250	0.0762	-052	-056	-060	-064	-068	-072	-076	-080	-084	-088	-092	-096	10.000
		1.132	1.6275	1.6255															
1 1/4	7GP1-2028-XXX	1.256	1.7535	1.7500	1.2500	0.0831	-052	-056	-060	-064	-068	-072	-076	-080	-084	-088	-092	-096	10.000
		1.257	1.7525	1.7505															
1 3/8	7GP1-2230-XXX	1.381	1.8785	1.8750	1.3750	0.0900	-052	-056	-060	-064	-068	-072	-076	-080	-084	-088	-092	-096	10.000
		1.382	1.8775	1.8755															
1 1/2	7GP1-2432-XXX	1.506	2.0035	2.0000	1.5000	0.0970	-052	-056	-060	-064	-068	-072	-076	-080	-084	-088	-092	-096	10.000
		1.507	2.0025	2.0005															
1 5/8	7GP1-2634-XXX	1.631	2.1285	2.1250	1.6250	0.1039	-052	-056	-060	-064	-068	-072	-076	-080	-084	-088	-092	-096	10.000
		1.632	1.1275	1.21255															
1 3/4	7GP1-2836-XXX	1.757	2.2545	2.2500	1.7500	0.1108	-052	-056	-060	-064	-068	-072	-076	-080	-084	-088	-092	-096	10.000
		1.758	2.2535	2.2510															
1 7/8	7GP1-3038-XXX	1.882	2.3795	2.3750	1.8750	0.1177	-052	-056	-060	-064	-068	-072	-076	-080	-084	-088	-092	-096	10.000
		1.883	2.3785	2.3760															
2	7GP1-3240-XXX	2.0085	2.5045	2.5000	2.0000	0.1243	-052	-056	-060	-064	-068	-072	-076	-080	-084	-088	-092	-096	10.000
		2.0095	2.5035	2.5010															
2 1/8	7GP1-3442-XXX	2.1335	2.6295	2.6250	2.1250	0.1306	-052	-056	-060	-064	-068	-072	-076	-080	-084	-088	-092	-096	10.000
		2.1345	2.6285	2.6260															
2 1/4	7GP1-3644-XXX	2.2585	2.7545	2.7500	2.2500	0.1374	-052	-056	-060	-064	-068	-072	-076	-080	-084	-088	-092	-096	10.000
		2.2595	2.7535	2.7510															
2 3/8	7GP1-3846-XXX	2.3835	2.8795	2.8750	2.3750	0.1442	-052	-056	-060	-064	-068	-072	-076	-080	-084	-088	-092	-096	10.000
		2.3845	2.8785	2.8760															
2 1/2	7GP1-4048-XXX	2.509	3.005	3.0000	2.5000	0.1511	-052	-056	-060	-064	-068	-072	-076	-080	-084	-088	-092	-096	10.000
		2.510	3.004	3.0015															
2 3/4	7GP1-4452-XXX	2.759	3.255	3.2500	2.7500	0.1648	-052	-056	-060	-064	-068	-072	-076	-080	-084	-088	-092	-096	10.000
		2.760	3.254	3.2515															
3	7GP1-4856-XXX	3.0080	3.5055	3.5000	3.0000	0.1790	-052	-056	-060	-064	-068	-072	-076	-080	-084	-088	-092	-096	10.000
		3.0105	3.5045	3.5020															
3 1/4	7GP1-5260-XXX	3.2580	3.7555	3.7500	3.2500	0.1928	-052	-056	-060	-064	-068	-072	-076	-080	-084	-088	-092	-096	10.000
		3.2605	3.7545	3.7520															
3 1/2	7GP1-5664-XXX	3.5080	4.0055	4.0000	3.5000	0.2066	-052	-056	-060	-064	-068	-072	-076	-080	-084	-088	-092	-096	10.000
		3.5105	4.0045	4.0020															
3 3/4	7GP1-6068-XXX	3.7580	4.2555	4.2500	3.7500	0.2203	-052	-056	-060	-064	-068	-072	-076	-080	-084	-088	-092	-096	10.000
		3.7605	4.2545	4.2520															
4	7GP1-6472-XXX	4.011	4.507	4.5000	4.0000	0.2334	-052	-056	-060	-064	-068	-072	-076	-080	-084	-088	-092	-096	10.000
		4.014	4.506	4.5020															
4 1/4	7GP1-6876-XXX	4.261	4.757	4.7500	4.2500	0.2459	-052	-056	-060	-064	-068	-072	-076	-080	-084	-088	-092	-096	10.000
		4.264	4.756	4.7520															
4 1/2	7GP1-7280-XXX	4.511	5.007	5.0000	4.5000	0.2596	-052	-056	-060	-064	-068	-072	-076	-080	-084	-088	-092	-096	10.000
		4.514	5.006	5.0020															
4 3/4	7GP1-7684-XXX	4.761	5.257	5.2500	4.7500	0.2732	-052	-056	-060	-064	-068	-072	-076	-080	-084	-088	-092	-096	10.000
		4.764	5.256	5.2520															
5	7GP1-8088-XXX	5.0105	5.507	5.5000	5.0000	0.2871	-052	-056	-060	-064	-068	-072	-076	-080	-084	-088	-092	-096	10.000
		5.0140	5.506	5.5020															

Standard MODEL SIZES are noted in BLACK. For MODEL SIZES in (BOLD) and shaded (Gray) consult with Rexnord Rex RPT Engineering.

Continued...

1/4 Inch Wall Straight Sleeve Bearing (Continued)



Continued...

Bearing Dimensions

Bore Size	Part Number	ID	OD	Recommended Sizes			Model Number Suffix									Maximum Length
				Housing Bore	Max Shaft Dia	Wt (Ref) Lb/In.	L= Length Suffix in Multiples of 1/16" (Tolerance +/- .010)									
							6.500	7.000	7.500	8.000	8.500	9.000	9.500	10.000 +/- .025		
1/2	7GP1-0816-XXX	0.506	1.0035	1.0000	0.5000	0.0417										6.000
		0.507	1.0025	1.0005												
5/8	7GP1-1018-XXX	0.631	1.1285	1.1250	0.6250	0.0486	-104	-112	-120	-128	-136	-144	-152	-160	10.000	
		0.632	1.1275	1.1255												
3/4	7GP1-1220-XXX	0.756	1.2535	1.2500	0.7500	0.0555	-104	-112	-120	-128	-136	-144	-152	-160	10.000	
		0.757	1.2525	1.2505												
7/8	7GP1-1422-XXX	0.881	1.3785	1.3750	0.8750	0.0624	-104	-112	-120	-128	-136	-144	-152	-160	10.000	
		0.882	1.3775	1.3755												
1	7GP1-1624-XXX	1.006	1.5035	1.5000	1.0000	0.0693	-104	-112	-120	-128	-136	-144	-152	-160	10.000	
		1.007	1.5025	1.5005												
1 1/8	7GP1-1826-XXX	1.131	1.6285	1.6250	1.1250	0.0762	-104	-112	-120	-128	-136	-144	-152	-160	10.000	
		1.132	1.6275	1.6255												
1 1/4	7GP1-2028-XXX	1.256	1.7535	1.7500	1.2500	0.0831	-104	-112	-120	-128	-136	-144	-152	-160	10.000	
		1.257	1.7525	1.7505												
1 3/8	7GP1-2230-XXX	1.381	1.8785	1.8750	1.3750	0.0900	-104	-112	-120	-128	-136	-144	-152	-160	10.000	
		1.382	1.8775	1.8755												
1 1/2	7GP1-2432-XXX	1.506	2.0035	2.0000	1.5000	0.0970	-104	-112	-120	-128	-136	-144	-152	-160	10.000	
		1.507	2.0025	2.0005												
1 5/8	7GP1-2634-XXX	1.631	2.1285	2.1250	1.6250	0.1039	-104	-112	-120	-128	-136	-144	-152	-160	10.000	
		1.632	1.1275	2.1255												
1 3/4	7GP1-2836-XXX	1.757	2.2545	2.2500	1.7500	0.1108	-104	-112	-120	-128	-136	-144	-152	-160	10.000	
		1.758	2.2535	2.2510												
1 7/8	7GP1-3038-XXX	1.882	2.3795	2.3750	1.8750	0.1177	-104	-112	-120	-128	-136	-144	-152	-160	10.000	
		1.883	2.3785	2.3760												
2	7GP1-3240-XXX	2.0085	2.5045	2.5000	2.0000	0.1243	-104	-112	-120	-128	-136	-144	-152	-160	10.000	
		2.0095	2.5035	2.5010												
2 1/8	7GP1-3442-XXX	2.1335	2.6295	2.6250	2.1250	0.1306	-104	-112	-120	-128	-136	-144	-152	-160	10.000	
		2.1345	2.6285	2.6260												
2 1/4	7GP1-3644-XXX	2.2585	2.7545	2.7500	2.2500	0.1374	-104	-112	-120	-128	-136	-144	-152	-160	10.000	
		2.2595	2.7535	2.7510												
2 3/8	7GP1-3846-XXX	2.3835	2.8795	2.8750	2.3750	0.1442	-104	-112	-120	-128	-136	-144	-152	-160	10.000	
		2.3845	2.8785	2.8760												
2 1/2	7GP1-4048-XXX	2.509	3.005	3.0000	2.5000	0.1511	-104	-112	-120	-128	-136	-144	-152	-160	10.000	
		2.510	3.004	3.0015												
2 3/4	7GP1-4452-XXX	2.759	3.255	3.2500	2.7500	0.1648	-104	-112	-120	-128	-136	-144	-152	-160	10.000	
		2.760	3.254	3.2515												
3	7GP1-4856-XXX	3.0080	3.5055	3.5000	3.0000	0.1790	-104	-112	-120	-128	-136	-144	-152	-160	10.000	
		3.0105	3.5045	3.5020												
3 1/4	7GP1-5260-XXX	3.2580	3.3755	3.7500	3.2500	0.1928	-104	-112	-120	-128	-136	-144	-152	-160	10.000	
		3.2605	3.3745	3.7520												
3 1/2	7GP1-5664-XXX	3.5080	4.0055	4.0000	3.5000	0.2066	-104	-112	-120	-128	-136	-144	-152	-160	10.000	
		3.5105	4.0045	4.0020												
3 3/4	7GP1-6068-XXX	3.7580	4.2555	4.2500	3.7500	0.2203	-104	-112	-120	-128	-136	-144	-152	-160	10.000	
		3.7605	4.2545	4.2520												
4	7GP1-6472-XXX	4.011	4.507	4.5000	4.0000	0.2334	-104	-112	-120	-128	-136	-144	-152	-160	10.000	
		4.014	4.506	4.5020												
4 1/4	7GP1-6876-XXX	4.261	4.757	4.7500	4.2500	0.2459	-104	-112	-120	-128	-136	-144	-152	-160	10.000	
		4.264	4.756	4.7520												
4 1/2	7GP1-7280-XXX	4.511	5.007	5.0000	4.5000	0.2596	-104	-112	-120	-128	-136	-144	-152	-160	10.000	
		4.514	5.006	5.0020												
4 3/4	7GP1-7684-XXX	4.761	5.257	5.2500	4.7500	0.2732	-104	-112	-120	-128	-136	-144	-152	-160	10.000	
		4.764	5.256	5.2520												
5	7GP1-8088-XXX	5.0105	5.507	5.5000	5.0000	0.2871	-104	-112	-120	-128	-136	-144	-152	-160	10.000	
		5.0140	5.506	5.5020												

Standard MODEL SIZES are noted in BLACK. For MODEL SIZES in (BOLD) and shaded (Gray) consult with Rexnord Rex RPT Engineering.



FILAMENT BEARINGS

Custom: Duralon

CONTENTS

PAGE

Features and Benefits	490
Nomenclature	491
Engineering	492
Dimensions	
Sleeve	503
Annular	510
Flange	511
Thrust Washers	512
Annular	513
Mounting	514

INDUSTRIES SERVED

Construction
Agriculture
Food
Marine



Filament Bearings

Rexnord Duralon Filament Bearings are a self-lubricated bearing, normally used between 4,000 and 30,000 psi in sliding and oscillating linkages. It is constructed from woven Teflon[™] high strength fiber and bondable yarns to make up the bearing element. Continuous strands of fiberglass and epoxy resin make up the matrix of the composite bearing material.

Features and Benefits

Strength

Applications that have 30,000 psi dynamically
Optimizes strength/weight ratio

Corrosion Resistance

Resists galvanic and fretting corrosion

Self-Lubricating

Eliminates contaminating lubricants
Operates above or below useful
temperature of lubricants
Eliminates complex lubrication systems
Minimizes slipstick problems

Seizure Resistance

Minimizes galling and scoring

Lightweight

77% of steel weight, 30% of aluminum –
easier handling, reduces equipment weight

Non-Metallic

Electrical insulation
Reduces noise volumes
USDA approved for non-contact use



Sizes and Shapes Available

Straight Sleeve Bearings

Round, Square and Hex Bore
Round Bore Diameter – 1/8" to 26"
PTFE fabric on ID bore and optional on OD

Linear Bearings

Bore Diameter – 1/4" to 4"
Available in open configuration to
clear pedestal shaft mounts

Flange Bearings

Bore Diameter – 1/8" to 26"
Available with or without woven
PTFE liner on the flange face

Thrust Washers

Outer Diameter – 3/8" to 18"

Spherical Annular

Bore Diameter – 1/4" to 6"

Actuator Bearing

Bore Diameter – consult Rexnord Engineering
Bore Shapes – Helical and threaded



▼ Teflon[™] is a trademark of The Chemours Company FC, LLC used under license by Toray Fluorofibers (America), Inc.

Nomenclature

Symbol	Description	
		701 - 00 008 - 016
701	Straight Sleeve Bearing	
702	Flange Sleeve, No PTFE Fabric on the Flange Face	
703	Flange Sleeve, PTFE Fabric on the Flange Face	
706	Actuator Nut	
707	Thrust Washer, PTFE Fabric on one face or both	
708	OD lined Sleeve Bearing, Cylindrical O.D.	
710	Ball Bearing Replacement, Cylindrical O.D.	
711	Ball Bearing Replacement, Spherical O.D., without Fabric on the O.D.	
718	Ball Bearing Replacement, Spherical O.D., PTFE Fabric on the O.D.	
799	Special Bearing Configuration	
00	Catalog Thinwall Bearing	
01	Catalog Heavywall Bearing	
61	Open Linear Replacement Bearing	
66	Catalog Linear Replacement Bearing	
70	Catalog Square Bore Bearing	
90	Catalog Hex Bore Bearing	
008	Bore Size (1 inch = 016)	
016	Bearing Length The length of the bearing in 1/32 of an inch increments	

Material Properties

Mechanical Properties

The mechanical properties of the filament wound back-up material are derived from the modulus of elasticity of the individual materials, and the construction. The values shown in the table below have been developed by using standard tests for cylindrical shapes.

	Modulus (PSI)	Ultimate Strength (PSI)
Axial Compression	.8x10 ⁶	20,000
Hoop Tension	2.7x10 ⁶	35,000
Bending	1.5x10 ⁶	25,000
Torsion (45 degree helix angle)	1.5x10 ⁶	27,000
Interlaminar Shear	N/A	3,000-5,000

Impact resistance (notch)41 ft.lb./in.
 Specific gravity..... 1.9
 Spring rate 3.467x10⁶ lb./in.
 Ultimate strength (Sleeve Configuration).....77,000 psi

NOTE: These values are applicable in -65°F to 250°F temperature range. Bearing wall thickness was .125" in these tests; varying that dimension and/or the helical winding angle will alter these values.

Thermal Properties

Comparative values of the coefficient of expansion for the filament wound back-up material, aluminum and steel are given in the table below. The similarity between steel and filament wound back-up material in the hoop direction should be noted. A higher value for thermal expansion is realized in the axial direction because of the fiberglass filament orientation.

Thermal Properties	Duralon Bearing filament wound material	Aluminum	Steel
1. Expansion (IN/IN/°F)			
Axial Direction	15.0x10 ⁻⁶	13.3x10 ⁻⁶	6.0x10 ⁻⁶
Hoop Direction	7.0x10 ⁻⁶	13.3x10 ⁻⁶	6.0x10 ⁻⁶
2. Conductivity (BTU IN/FT 2°F Hr)	1.4	610-1100	95-185

Electrical Properties

The filament wound back-up material is an electrical insulator. Its dielectric strength is about 300 volts per mil. Since the back-up material is electrically non-conducting, electrolytic or galvanic action will not take place between it and the housing or the shaft.

Chemical Properties

While Duralon bearings are typically chemical resistant, due to the wide range of exposures, specific conditions must be checked. See Chemical Resistance of Duralon Bearings on pages 501-502 for listing. Consult Rexnord engineers at (800) 591-0886 or www.rexnordcomposites.com with specific conditions and applications.

Design and Application Guidelines

The overall performance of filament wound bearings is directly affected by operating factors such as applied loads, operating motions, duty cycle, environmental conditions, installation methods, shaft finish and hardness. While specific design criteria are not available for all applications, certain guidelines must be followed to provide the rated life.

Loads and ratings

The filament wound back-up material in Duralon journal bearings is capable of withstanding static radial load levels as high as 60,000 psi on the projected bearing area. This is in excess of the fabric liner capability of (50,000 psi) based on previous experiences. The load deflection relationship of Duralon journal bearings and metal-backed Teflon[™] lined bearings is very similar. The yield point and ultimate strength of the filament wound back-up material are approximately equal.

$$\text{PSI} = \frac{\text{Load lbs.}}{\text{I.D.} \times W}$$

Load-life relationship

Since accumulated wear terminates the useful life of a properly selected Teflon[™] liner bearing, the Duralon selection procedure is based on the use of Bearing Area Factors (BAF), rather than load ratings, to select a bearing which meets the combined load-life requirements of the application. The Bearing Area Factor (BAF) is a numerical index of a bearing's dynamic performance ability and is based upon effective bearing area.

Duralon bearings are rated on the basis of L10 life expectancy which means that 90% of a given group of bearings will exceed the predicted life. The correlation of load and life is shown in the lower half of the Selection Chart which relates the BAF to cycle of life. BAF values for bearings involving standard combinations of bore and length are shown in the bearing listings.

$$\begin{aligned} \text{Bearing Area Factor} \\ \text{BAF} &= \text{I.D.}^{.491} \times (W-.090) \\ \text{I.D.} &= \text{Bearing Inner Diameter} \\ W &= \text{Bearing Length} \end{aligned}$$

All dimensions are in inches

Motion

Duralon bearings can withstand various degrees of motion, depending upon speed and load. They will operate under all degrees of motion normally encountered in applications. Note that the degree of oscillation can affect bearing performance and must be taken into account when making a bearing selection, as shown on the nomograph.

Laboratory testing of Filament journal bearings has shown their capacity to operate successfully under the low speeds (less than 90 cycles per minute), high load conditions (up to 30,000 psi), as well as the high speeds (up to 300 cpm), light load conditions (less than 5,000 psi).

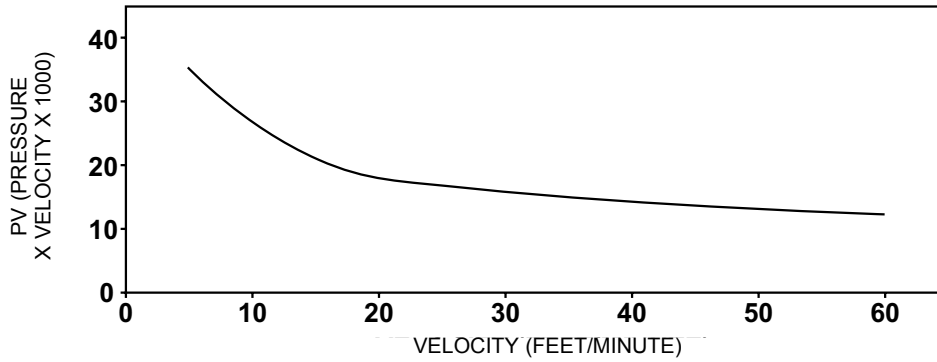
Temperature

The normal operating temperature range for Duralon bearings is -65°F to 325°F. Satisfactory operation can be obtained with limited exposure to temperatures as high as 400°F. However, at continuous temperatures above 325°F, an increase in wear rates will be experienced. Contact a Rexnord engineer for applications at cryogenic temperature, as well as for applications with continuous temperatures above 325°F. High temperature non-standard Duralon bearings are available.

Full Rotation

Full rotation can be accommodated if load and speed are below the curve in the following graph. See reference formula for pressure and velocity.

FULL ROTATION
1000 HOURS TO .006 INCH WEAR
SHAFT MATERIAL: 4140
50 R_c 8_{rms} POLISHED



Formulae used in the selection of Duralon bearings.

Bearing Pressure

$$PSI = \frac{\text{Load lbs.}}{I.D. \times W}$$

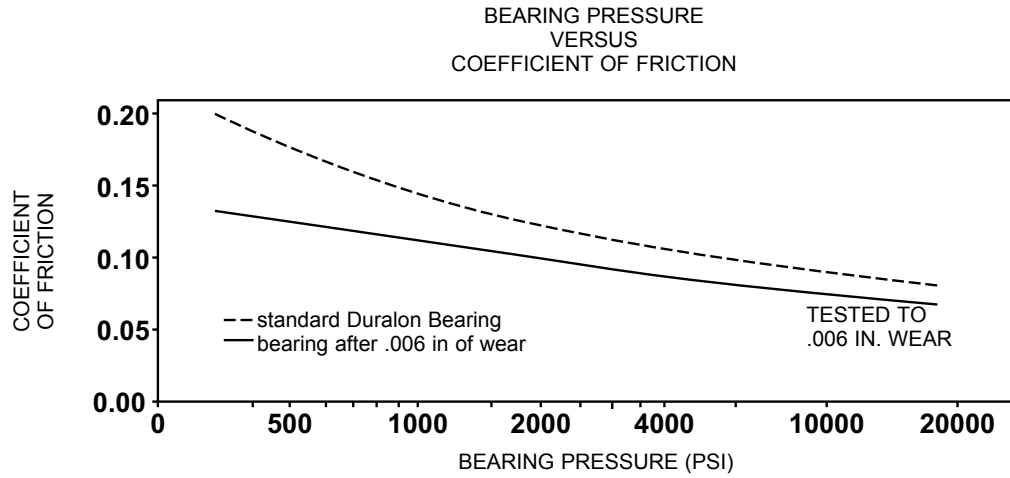
Speed (Surface Velocity)
 Full Rotation
 Surface velocity (FPM)

$$= .262 \times I.D. \times RPM$$

*All dimensions are in inches

Friction

Duralon bearings offer low-friction operation. Friction coefficients vary from .21 to .05 depending on the load level. Increased loading results in significant decrease in coefficient of friction as shown below. Also as the bearing "breaks in" the coefficient of friction decreases.



Environmental

Duralon bearings are resistant to most environmental elements encountered in the bearing applications. Predictable wear lives have been obtained when bearings were operated in various fluids. However, specific test or evaluation is recommended.

Duralon Bearing Selection

The Duralon selection graph is designed to handle general applications described by the following parameters:

- Speed not exceeding 60 cycles per minute (12FPM)
- Pressures not exceeding 25,000 psi
- Oscillations 10° and greater, up to 90° included angle

For application requirements exceeding these parameters – consult a Rexnord engineer.

Duralon selection problems are typically either: (a) a life calculation where load and size are known or (b) a size selection, where load and required life are known.

Using the selection graph, and following the steps outlined can handle either situation:

Life Calculation – (known load, oscillation and bearing size)

1. Convert oscillation angle to included angle, then follow that line horizontally until it intersects load level.
2. From that point, drop vertically down the chart until the BAF value is intersected. See section Design and Application Guidelines - Load-life relationship on page 492 for complete explanation of BAF.
3. From that point, follow horizontally and read resulting cycles of life (to .006 wear).

Size Selection – (known load, oscillation and required life)

1. Locate the intersection of the oscillation angle and load lines.
2. Drop vertically down the chart until the required life value is intersected.
3. Determine the required capacity BAF by following the inclined line from that point.
4. Select appropriate size bearing from the thin or heavy series with a BAF in excess of that value, incorporating any known size restrictions – and checking to assure that pin strength (bending) is adequate.

Example – Life Calculation – See graph “BLACK LINES (Dashed)” for example on next page

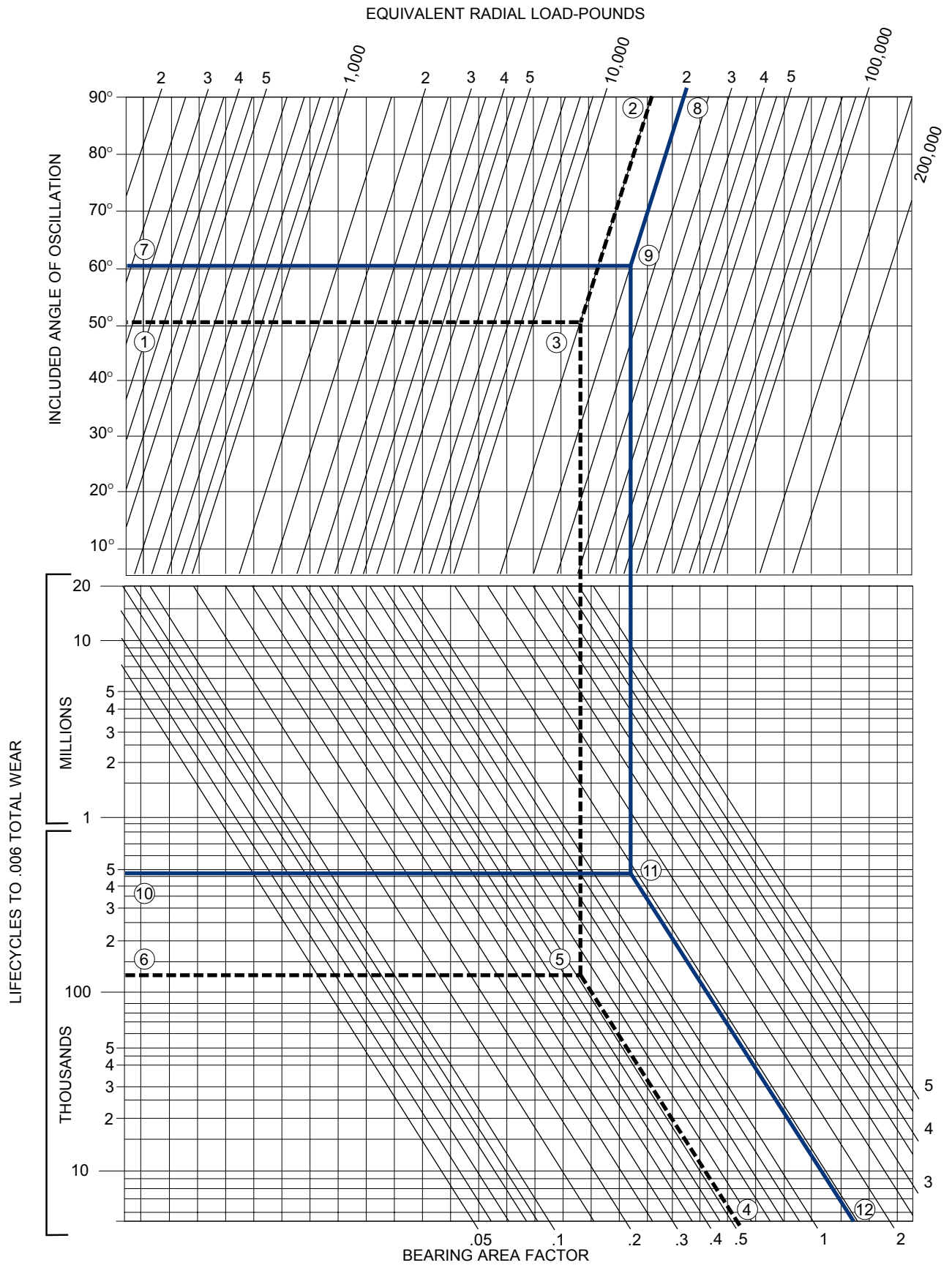
Information required to use the selection chart is as follows:

- Oscillation angle ±25 degrees
- Radial load 15,000 lbs
- Bearing size 1" dia, $\frac{5}{8}$ " long
 1. Included angle equals the plus and minus motion although the midpoint of the cycle ±25 degrees equals an included angle of 50 degrees (point 1)
 - a. Radial load equals 15,000 lbs (point 2). These two intersect at (point 3).
 2. The BAF for a 1" dia., with $\frac{5}{8}$ " (.625) width bearing is .536, as found (point 4). This line intersects that (point 3) requirement at (point 5).
 3. To determine life to .006 inch wear from chart, read the vertical axis value (point 6), which equals 130,000 cycles.

Example – Size Selection – See graph “BLUE LINES (Bolded)” for example on next page

Information to use chart is as follows:

- Oscillation angle ±30 degrees
- Radial load 20,000 lbs
- Required life 500,000 cycles
- Size restriction Cannot exceed 1 $\frac{1}{4}$ " dia pin
 1. Included angle equals the plus and minus motion through the midpoint of the cycle, thus ±30 degrees equals an included angle of 60 degrees (point 7), the radial load is 20,000 pounds (point 8), and the intersection of angle and load is (point 9).
 2. Move down the chart vertically until the 500,000 cycle life (point 10) line is intersected - (point 11).
 3. Follow the inclined line and read the required BAF value (point 12) or 1.5.
 4. With a required BAF of 1.5, any bearing from the Product Data Sheets that exceeds the value could be selected ie. with a 1 $\frac{1}{4}$ " dia. pin, a 1 $\frac{1}{2}$ " length is required, thus a 701-00020-048. However, if a 1" dia. pin will accept the load, a longer 1 $\frac{3}{4}$ " length is required (701-00016-056). Checking of pin bending strength is appropriate.



Bearing Fatigue and Failure

Wear

Bearing failure can be defined in various ways; however typically sliding type bearings relate it to a wearing away of the load carrying surface and resulting increase in clearance. Traditionally the industry value for evaluating wear life is .006. This is based on early work associated with TFE fabric liners; where the composition of the material changed as wear progressed. Significant changes in wear rate, torque, etc. occurred at about that point. However, since Duralon liner composition does not change, significant additional wear life is available beyond .006.

Bearing industry premise not only defines life (wear), but also typically assigns a probability or confidence level to those values. The traditional failure probability rating is 10%, known throughout the industry as an L-10 rating – meaning 10% will fall short of the value, but 90% will exceed it! An L-10 life rating is more conservative than the “average” (L-50) value.

Ultimate Strength

All materials, metallic and non-metallic have varying capabilities to support applied load. In bearings, the basic materials, processing, and construction all contribute to the basic ability to support load – or the ultimate capacity of the bearing. In situations where loads exceed the ultimate strength of a bearing, the structure is fractured, resulting in rapid or even instantaneous failure. Since self-lubricating bearings cover a wide range of materials and constructions, some are not capable of withstanding loading above 1000 psi without experiencing ultimate load failures.

Fretting Corrosion and Its Effect

When converting to a self-lubricating bearing, the external lubricant film is removed from the bearing loading zone. This allows contact between the bearing and the bearing to the shaft. This contact can cause fretting corrosion under the following conditions:

Motion	Examples
Small angles of oscillation	Toggle linkage
Small relative motion	Linear movement of a shaft in a shock absorber
Vibration	Torsional vibration from a diesel engine crank shaft or an unbalanced electric motor
Cyclic loading	Variable speed belt drives

Metallic surfaces exposed to the above conditions start to fatigue. Particles break off and begin to oxidize resulting in fretting corrosion. It can occur at high or low loads. In ferrous metals this produces a residue of iron oxide, a reddish appearing dust commonly called jeweler’s rouge. These metallic particles are very abrasive and can cause wear of the shaft surface and bearing. They can occur even if the shaft surfaces are 50 Rc or harder.

Fretting Corrosion Solutions

A hard, corrosion resistant wear surface will minimize fretting corrosion. Several processes have been used to eliminate fretting corrosion as follows:

1. Polished hard chrome plating .0005/.0010 inches thick.
2. Electroless nickel plating .0003 to .0005 inches thick.
3. Melonite QPQ heat treatment.

Other considerations are necessary when selecting the above process. Contact a Rexnord engineer for an in-depth analysis.

Melonite QPQ™ is a trademark of Houghton Durferrit GmbH, Germany.

Installation Practices & Retention Methods

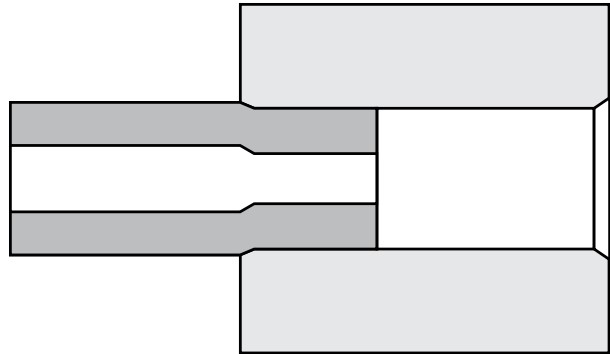
Press Fit Retention and Shaft Running Clearances

The standard method of sleeve bearing retention is a “press” or interference fit. The dimensional listing for thin wall Duralon bearings provides recommended housing bores that develop a press fit range of .0002” to .0022” on diameter.

The press fit range for heavy wall Duralon bearings is larger. Refer to the dimensional listing for recommended housing bores. To avoid shearing the bearing O.D., the press fit should not exceed .008”. The length/outside diameter ratio should not be greater than 2 to avoid buckling of the Duralon bearing.

If the application will see large temperature variations, the differences in the coefficients of expansion of the bearing and the housing must be considered when determining the amount of interference fit required, especially if the housing is aluminum.

When determining shaft running clearance, one must take into account that the bearing bore diameter will be reduced an amount equal to the press fit between the bearing and housing. In other words, if your bearing press fit is .002”, your bearing I.D. will be reduced .002”. The table below lists recommended minimum shaft running clearances for catalog bearings.



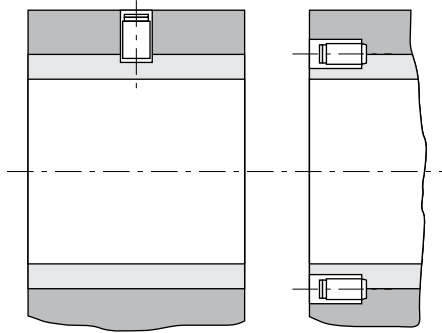
Recommended minimum shaft running clearances

Bore diameter (in.)	Minimum diametral clearance (in.)
Up to .999	.0005
1.000 - 1.999	.001
2.000 - 2.999	.002
3.000 - 3.999	.003
4.000 - 4.999	.004
5.000 - 5.999	.005
6.000 - 6.999	.006
7.000 - 7.999	.007
8.000 - 8.999	.008
9.000 - 9.999	.009
10	.01

Consult a Rexnord engineer for special bearing retention or shaft clearance requirements.

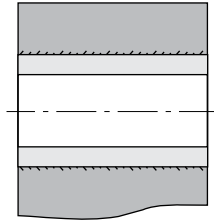
Other retention methods

Setscrews



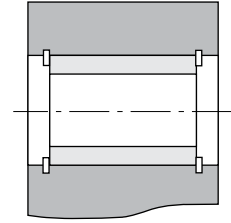
Normally used in steel housings this will allow torque transmission

Bonding



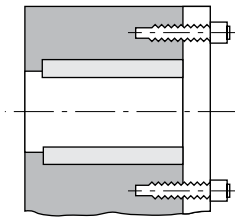
Several types of adhesives can be used

Snap Rings



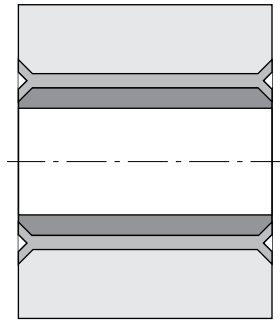
Used for linear travel on small diameter bearings

Bolts Thru Washer



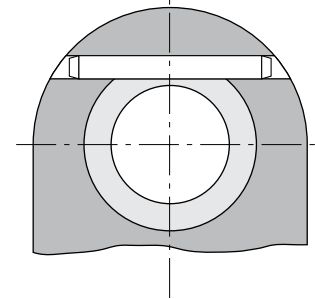
Easy assembly and disassembly, mostly found on linear motion large diameter gearings

Staking Ring



When either a spacer or the housing can be used to stake over the bearing O.D.

Dowel Pin



Stops motion in two directions

General bonding recommendations

Another popular bearing retention method is bonding the bearing into the housing. This method reduces the effect of tolerance buildup in the bearing I.D. after assembly, minimizing shaft and bearing clearance range. This method also improves concentricity between multiple bearings on one or more shafts. Epoxies give the highest bond shear strength. Any 2-part epoxy that will bond fiberglass to metal will work.

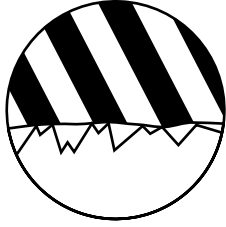
The housing I.D. and bearing O.D. must be free of contaminants — water, oil, grease, dirt, etc. When bonding, do not allow the ambient temperature to drop below 50°F and do not accelerate the curing process by heating the assembly up. Heat may cause the viscosity of the epoxy resin to drop, allowing it to run to one side of the bearing. This will reduce the bond strength. For proper bond thickness, allow .005" to .010" diametral clearance between the bearing O.D. and the housing I.D. Shafting can be used to align multiple bearings on one shaft while the adhesive cures.

Any bearing retention grade cyanoacrylate compound can also be used to retain Duralon bearings. Cyanoacrylates are used to enhance a light press fit or retain the bearing with a pure bond. Consult the adhesive supplier for the best recommendation to bond fiberglass to metal. The bearing O.D. may need to be primed prior to application of the cyanoacrylate to activate the bearing surface. The same primer used to prepare aluminum surfaces will usually work with Duralon bearings.

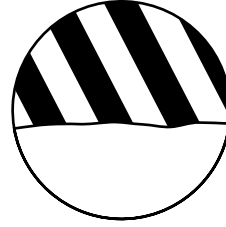
Shaft Recommendations

Since the shaft surface significantly affects the operation of the journal bearing design, its selection in regard to material, hardness, coating and surface roughness is crucial.

High loads require smooth surfaces with hardened and heat-treated shafts. With stress levels of 8,000 to 30,000 psi, shafting should have a surface finish of 8 micro inch or better to achieve optimum performance. However, tests have been run on 25-30 micro inch finishes with 55 Rc shafts at 4,000 psi with acceptable results.



Sharp surface scratches



Smooth surface scratches

Surface roughness values do not define the character of the finish. Polished shafting (right) normally produces longer bearing life.

Shafting Materials

A number of shaft materials have been used in conjunction with Duralon bearings:

1. 52100 high carbon steel
2. 4140 chrome and nickel plated steel
3. 300 and 400 series stainless steel
4. Precipitation hardened grades 17-4PH, 15-5PH, 13-8PH Moly chrome and nickel plated stainless steel
5. 2000 and 7000 series aluminum grade hard anodized
6. Low to high carbon steels

Machining Guidelines

The following information should be used as a guide. As a general rule, the machining or cutting should be done wet to reduce dust. After any machining, wash the bearing to remove any abrasives from the bore.

Turning

Use carbide or diamond tools.

If carbide is used:

- It should have at least a 10 to 25 degree side relief angle and the same end relief angle, grade CQ2 or equivalent.
- Feeds and speed at approximately the same rate as turning wood.

If diamond tools are used:

- Any good manufacturer diamond tool should be used. For example: Mega Diamond, GE Compacx, etc.
- Same speeds as carbide.

Grinding

Silicon carbide grinding wheels work the best, but any grinding wheel will work for small quantities:

39 C 46 K8 VK - Norton

6 C 46 K6 VSC - Cincinnati

- Rough stock removal = up to .050 inch per pass.
- Finish stock removal = .004 to .010 inch per pass with one wiping pass.
- Part speed based on surface finish requirements. A good starting point is about 100 SFM.

Facing or Grooving

Same tools as used in turning may be used.

Cut-Off

Any reinforced cut-off wheel will cut fiberglass. Maximum wheel width should not exceed .125".

If non-reinforced wheels are used, an Everett #91, up to $\frac{3}{32}$ " wide works well.

Plated diamond wheels also work very well using an 80/120 grit size.

Deburring inside diameter

Placing a tightly fitting arbor on the bore of the bearing to support the inside diameter during the cutting will minimize peeling, fuzz and loose strings.

80 grit paper can be used to break the corners. Care should be taken not to roll the fabric back into the bore.

Sizing of Bearing I.D.

The bore of the Duralon bearing is not normally machined. If sizing is required after assembly, we recommend the removal of no more than .002" on diameter. The recommended method to size bearing bore is to use 200-400 grit wet/dry emery paper. If possible, size multiple bearings on the same shaft at the same time to maintain concentricity. It is important to wash out all abrasive particles from the bearing bore after sizing.

Competitive Non-Lubricated Bearings

A vast number of metallic and non-metallic, lined and unlined sliding bearings are available. The various combinations of materials and construction, as well as performance characteristics and cost, can present quite a dilemma for the correct selection of a bearing.

Characteristics such as static capacity or ultimate strength must be considered from a structural standpoint and control some selections. Wear life or dynamic performance capabilities are the prime concern in others. Temperature limits may be a factor in regard to the liner or lubrication. There is a wide range of chemical capabilities, electrical conductivity, and other properties that can be the key in still other applications.

General grouping of friction bearings include: molded plastic materials, metallic bearings with liner strips, powdered metal with oil impregnation. Teflon[▼] lined with fiberglass backing and Teflon[▼] fabric lined with metal backing.

Within the group of fiberglass-backed bearings, those made from chopped fibers or braided filament has lower strength than those of filament-wound construction. Filament wound bearings rank high in static structural capacity and are also often tops in dynamic performance or wear-rate considerations.

Powdered metal bearings with oil impregnation – if re-lubricated, offer high dynamic ratings, but are subject to wear if the oil is lost. There are also high load and temperature limitations.

Metallic backed parts, with strip liners offer better wear life, but have only modest static capacity and temperature resistance. Molded plastic bearings can offer temperature advantages, but frequently have very low static capacity ratings.

Rexnord has tested a variety of bearings under two basic conditions: (1) high load/low speed, (2) low load/high speed. The table below reports the results of these tests.

B10 Life in Cycles to .006" Wear

Bearing Type	Low Load Test	High Load Test
Duralon Bearing	25.2 x 10 ⁶	1.00 x 10 ⁶
Powder Bronze	70,000	0
Strip Overly (Teflon [▼] , Bronze, Steel Backed) Str	.58 x 10 ⁶	14,000
Strip Overly (Tape, Steel Backed)	30,000	220
Fiberglass Backed (Nomex, Teflon [▼])	.40 x 10 ⁶	.20 x 10 ⁶
Filament Wound Composite (woven PTFE)	3.72 x 10 ⁶	1460
Filament Wound Composite (PTFE Fiber)	7.0 x 10 ⁶	.36 x 10 ⁶
Filament Wound Composite (Tape Liner)	1.0 x 10 ⁶	12,000
Laminated Thermo Setting Resin (PTFE Fabric)	45,420	0
Laminated Phenolic	less than 7,000	0
Molded Compounded Teflon [▼]	0	0
Oil Filled Molded Plastic	58,000	0
Molybdenum Disulfide Filled Nylon	900	0

Test conditions

Low Load Test

Load: 4,000 psi Speed: 168 CPM
Oscillations ±10° (Travel .52 inches per cycle)

High Load Test

Load: 20,000 psi Speed: 90 CPM
Oscillations ±25° (Travel 1.3 inches per cycle)

All tests were conducted on 4140 steel pins with 50 Rc hardness and a finish of 8 RMS polished or better. Test bearings were 1.50" I.D. x 0.5" wide.

Competitive Non-Lubricated Bearings (cont.)

Machine Design – 1972-73 Bearing Reference Issue

Bearing Material	Load Capacity (psi)	Max Temp. (F)	Max Speed (FPM)	PV Limit psi Load Time s Surface FPM
Porous bronze	4,500	160	1,500	50,000
Porous iron	8,000	160	800	50,000
Phenolics	6,000	200	2,500	15,000
Nylon	1,000	200	1,000	3,000
TFE	500	500	50	1,000
Reinforced Teflon▼	2,500	500	1,000	10,000
TFE fabric*	60,000	500	150	25,000
Polycarbonate	1,000	220	1,000	3,000
Acetal	1,000	180	1,000	3,000
Carbon-graphite	600	750	2,500	15,000
Rubber	50	150	4,000	X
Wood	2,000	160	2,000	12,000

*Show Duralon bearing classification. Not to be used for design purposes.

Friction Properties

Bearing Material	Co-efficient	Slip Stick
Steel-on-Steel	0.50	Yes
Bronze-on-Steel	0.35	Yes
Aluminum Bronze-on-Steel	0.45	Yes
Sintered Bronze-on-Steel (mineral oil)	0.13	No
Bronze-on-Steel (mineral oil)	0.16	No
Copper Film Deposited on Steel	0.30	Yes
Lead Film Deposited on Copper-on-Steel	0.18	Yes
Copper Lead Alloy-on-Steel	0.22	Yes
Acetal-on-Steel	0.20	No
Nylon-on-Steel	0.32	Yes
UHMWP-on-Steel	0.20	Yes
Telfon▼-on-Steel	0.40	No
Duralon-on-Steel	.05-.21	No

Appendix

Reference Formula:

Bearing Area Factor

$$BAF = I.D.^{.491} \times (W-.090)$$

$$I.D. = \text{Bearing Inner Diameter}$$

$$W = \text{Bearing Length}$$

All dimensions are in inches

Bearing Pressure

$$PSI = \frac{\text{Load lbs.}}{I.D. \times W}$$

Oscillatory Motion

$$\text{Surface velocity (FPM)} = \frac{I.D. \times 2 \times \text{included angle} \times \text{CPM}}{1.38 \times 10^3}$$

Bearing Weight (lbs)

$$.7854 \times (O.D.^2 - I.D.^2) \times \text{Length} \times .07$$

Chemical Resistance of Duralon Bearings

CHEMICAL	TEMP (°F)
Acetaldehyde	-
Acetic Acid 0 - 10%	150
Acetic Acid 10 - 50%	100
Acetic Acid Glacial	100
Acetone 0 - 5%	150
Acrylic Acid	-
Adipic Acid Solution	250
Alcohol Ethyl 10%	100
Alcohol Isopropyl 10%	100
Alcohol Methyl	100
Alcohol Methyl Isobutyl 10%	150
Alcohol Secondary Butyl 10%	150
Allyl Chloride	100
Aluminum Chloride	300
Aluminum Fluoride	150
Aluminum Hydroxide	150
Aluminum Nitrate	250
Aluminum Sulfate	300
Alums	300
Ammonia Gas - Dry	150
Ammonia - Wet	100
Ammonium Chloride	200
Ammonium Carbonate	200
Ammonium Fluoride 25%	150
Ammonium Hydroxide 0 - 10%	200
Ammonium Hydroxide 10 - 20%	150
Ammonium Hydroxide 20 - 30%	100
Ammonium Nitrate	250
Ammonium Persulfate	-
Ammonium Phosphate	150
Ammonium Sulfate	300
Amyl Acetate	75
Amyl Chloride	75
Aniline	75
Antimony Trichloride	150
Barium Carbonate	250
Barium Chloride	250
Barium Hydroxide 0 - 10%	200
Barium Sulphate	200
Barium Sulfide	300
Beer	200
Benzene	100
Benzene - 5% Kerosene	200
Benzene Sulfonic Acid	-
Benzoic Acid	200
Black Liquor	-
Borax	250
Boric Acid	200
Bromic Acid	150
Bromine - Liquid	-
Bromine Water	-
Butane	100
Butadiene	100
Butyl Acetate	75
Butyl Cellosolve	150
Butyric Acid 0 - 50%	150
Calcium Bisulfate	150
Calcium Carbonate	300
Calcium Chlorate	200
Calcium Chloride	300
Hydrobromic Acid 50%	150

CHEMICAL	TEMP (°F)
Calcium Hydroxide 0 - 50%	200
Calcium Hypochloride 0 - 20%	-
Calcium Nitrate	250
Calcium Sulfate	250
Carbon Dioxide	250
Carbon Bisulfate	-
Carbon Tetrachloride	100
Carbonic Acid	150
Castor Oil	200
Chloroacetic Acid 0 - 25%	100
Chlorine, Dry	-
Chlorine, Wet	-
Chlorine, Water	-
Chlorine Dioxide 15%	-
Chlorobenzene	100
Chloroform 100%	-
Chromic Acid 5 - 100%	-
Chromic Fluoride	75
Copper Chloride	250
Copper Fluoride	250
Copper Nitrate	250
Copper Sulfate	200
Crude Oil - Sour	300
Crude Oil - Sweet	300
Diacetone Alcohol	150
Dimethylamine	-
Dichlorobenzene 100%	100
Dichloroethylene	75
Diethylene Triamine 100%	-
Ethyl Cellusolve	100
Ethyl Ether	75
Ethyl Acetate	150
Ethyl Chloride	75
Ethylene Chlorohydrin	-
Ethylene Diamine	-
Ethylene Glycol	200
Ethylene Oxide	-
Fatty Acids	200
Ferric Chloride	300
Ferric Nitrate	250
Ferric Sulfate	-
Ferrous Chloride	250
Ferrous Sulfate	200
Fluorine Gas - Wet	-
F luosilicic Acid 10%	200
Fluoroboric Acid	-
Formaldehyde 40%	150
Formic Acid 25%	100
Freon	150
Gas - Natural	200
Gasoline - Sour	300
Gasoline, Refined, 108 Octane	150
Glucose	300
Glycerin	300
Glycol Ethylene	200
Glycol, Propylene	250
Heptane	150
Hexane	75
Hexylene Glycol Alcohol	150
Hydraulic Fluid	200
Propane	100

These results are based on testing of the fiberglass backing.

This chart should only be used as a guide.

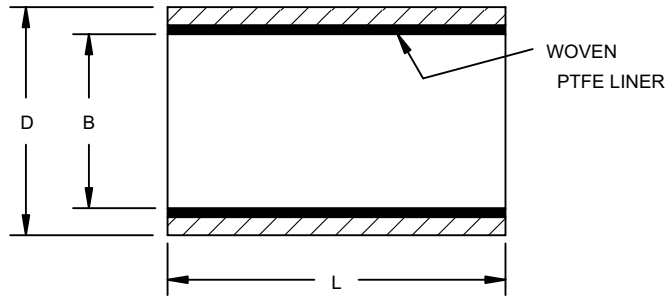
Chemical Resistance of Duralon Bearings

CHEMICAL	TEMP (°F)
Hydrochloric Acid 0 - 37%	200
Hydrochloric Acid 30% + Chlorine Gas 50%	-
Hydrocyanic Acid 10%	-
Hydrofluoric Acid	-
Hydrogen	150
Hydrogen Peroxide 10%	150
Hydrogen Peroxide 20%	75
Hydrogen Peroxide 30%	75
Hydrogen Sulfide - Dry	250
Hydrogen Sulfide - Aqueous	250
Hypochlorous Acid 10%	200
Jet Fuel	250
Kerosene	250
Lactic Acid	200
Lauric Acid	200
Lead Acetate	250
Levulinic Acid 25%	200
Magnesium Carbonate	250
Magnesium Chloride	300
Magnesium Hydrozide	250
Magnesium Nitrate	250
Magnesium Sulfate	300
Maleic Acid 100%	150
Mercury	300
Methyl Ethyl Ketone	75
Methyl Isobutyl Ketone	150
Methyl Isobutyl Carbitol	100
Mineral Oils	300
Naptha	200
Napthalene	150
Nickel Chloride	300
Nickel Nitrate	200
Nitric Acid 10%	-
Nitric Acid 15%	-
Nitric Acid 20%	-
Oleic Acid	200
Oxalic Acid	250
Perchloric Acid 10%	75
Phenol 1%	150
Phosphoric Acid 1 - 75%	250
Phosphoric Acid 75 - 100%	-
Phosphorous Pentoxide 0 - 54%	200
Picric Acid	75
Pickling Acid, Sulfuric & Hydrochloric	250
Plating Solutions	200
Potassium Bicarbonate	300
Potassium Bromide	200
Potassium Carbonate	250
Potassium Chloride	300
Potassium Dichromate	250
Potassium Hydroxide	200
Potassium Nitrate	300
Potassium Permanganate 10%	150
Potassium Permanganate 25%	150
Potassium Sulfate	150

CHEMICAL	TEMP (°F)
Silicic Acid	200
Silver Nitrate	250
Soap	250
Sodium Acetate	200
Sodium Bicarbonate	250
Sodium Bisulfate	250
Sodium Bromide	200
Sodium Carbonate	300
Sodium Chlorate	-
Sodium Chloride	300
Sodium Cyanide	250
Sodium Dichromate	250
Sodium Ferrocyanide	300
Sodium Fluoride	250
Sodium Hydroxide 0 - 50%	200
Sodium Hypochlorite 15%	-
Sodium Methoxide 40%	150
Sodium Nitrate	300
Sodium Peroxide	75
Sodium Phosphate	200
Sodium Silicate	150
Sodium Sulfate	300
Sodium Sulfite	200
Sodium Thiosulfate	150
Stannic Chloride	200
Stearic Acid	150
Sulfamic Acid 25%	200
Sulfite Liquors	-
Sulfur Dioxide - Wet & Dry	-
Sulfuric Acid 10%	250
Sulfuric Acid 25%	150
Sulfuric Acid 50%	100
Sulfuric Acid 80%	-
Sulfurous Acid 7%	200
Tannic Acid	200
Tartaric Acid	250
Tetraethyl Lead	100
Toluol 100%	150
Trichloroacetic Acid	-
Trichloroethylene	150
Triethylamine	75
Trisodium Phosphate	150
Tung Oil	200
Turpentine	75
Urea	150
Vinegar	150
Vinyl Acetate	150
Water, Deionized	300
Water, Distilled	300
Water, Fresh	300
Water, Salt	300
Water, Sea	300
Xylene	-
Zinc Chloride	250
Zinc Sulfate	250

- For chemicals not listed, 48-hour testing is recommended. Submerge a test bearing in the chemical for 48 hours and observe any changes. Most reactions will occur in the first 24 hours. Consult Rexnord Engineering with any questions.
- The effect of bacteria is unknown.
- ALKALINITY – Strong caustic solutions (NaOH – Sodium Hydroxide – 10%) at elevated temperatures will attack the polymers in the bearing. However, caustic solutions used in food processing wash downs will not, provided the shaft does not corrode.

Thinwall Straight Sleeve Bearing



Product Features

The bearing consists of a self-lubricating woven Teflon ▼ fiber and polyester liner supported by a filament wound continuous fiberglass fiber and epoxy resin matrix.

Bearing Dimensions

Part Number	Thinwall					Model Number Suffix										Maximum Length			
	B ±.0005	D ±.0005	Hsg Bore ±.0005	Max Shaft Dia	Wt (Ref) Lb/In.	L= Length Suffix in Multiples of 1/32" (Tolerance +.000/-0.020)													
	0.250	0.375	0.500	0.625	0.750	0.875	1.000	1.125	1.250	1.375	1.500	1.750	2.000						
701-00004-XXX	0.2535	0.3762	0.3750	0.2500	0.0043	008	012	016	020	024	028	032	036	040	044	048	056	064	3.000
701-00006-XXX	0.3785	0.5012	0.5000	0.3750	0.0060									6.000					
701-00008-XXX	0.5035	0.6262	0.6250	0.5000	0.0077	008	012	016	020	024	028	032	036	040	044	048	056	064	6.000
701-00010-XXX	0.6285	0.7512	0.7500	0.6250	0.0094														10.000
701-00012-XXX	0.7535	0.8762	0.8750	0.7500	0.0111	008	012	016	020	024	028	032	036	040	044	048	056	064	10.000
701-00014-XXX	0.8785	1.0637	1.0625	0.8750	0.0199														10.000
701-00016-XXX	1.0035	1.1887	1.1875	1.0000	0.0224	008	012	016	020	024	028	032	036	040	044	048	056	064	10.000
701-00018-XXX	1.1285	1.3137	1.3125	1.1250	0.0250														10.000
701-00020-XXX	1.2535	1.4387	1.4375	1.2500	0.0276	008	012	016	020	024	028	032	036	040	044	048	056	064	10.000
701-00022-XXX	1.3785	1.5637	1.5625	1.3750	0.0301														10.000
701-00024-XXX	1.5035	1.6887	1.6875	1.5000	0.0325	008	012	016	020	024	028	032	036	040	044	048	056	064	10.000
701-00026-XXX	1.6285	1.8137	1.8125	1.6250	0.0352														10.000
701-00028-XXX	1.7535	1.9387	1.9375	1.7500	0.0378	008	012	016	020	024	028	032	036	040	044	048	056	064	10.000
701-00030-XXX	1.8785	2.0637	2.0625	1.8750	0.0404														10.000
701-00032-XXX	2.0035	2.1887	2.1875	2.0000	0.0429	008	012	016	020	024	028	032	036	040	044	048	056	064	10.000
701-00034-XXX	2.1285	2.3137	2.3125	2.1250	0.0455														10.000
701-00036-XXX	2.2535	2.4387	2.4375	2.2500	0.0480	008	012	016	020	024	028	032	036	040	044	048	056	064	10.000
701-00040-XXX	2.5035	2.6887	2.6875	2.5000	0.0532														10.000
701-00044-XXX	2.7545	2.9487	2.9475	2.7500	0.0612	008	012	016	020	024	028	032	036	040	044	048	056	064	10.000
																			10.000

Additional Notes

- Size:** Standard & Metric sizes - from .250" to 2.750" inside diameter
- Load:** Typical dynamic loads - 4,000 to 30,000 psi, Ultimate 77,000 psi
- Motion:** Oscillatory, pivot, linear sliding and slow speed full rotation
- Friction:** Coefficients vary from .16 @ 500 psi to .07 @ 20,000 psi
- Electrical:** Filament wound back-up material is an electrical insulator
- Chemical:** Resistant to most chemicals, see Appendix or consult Rexnord engineer
- Temperature:** -65°F to +325°F for Continuous, 400°F for Intermittent

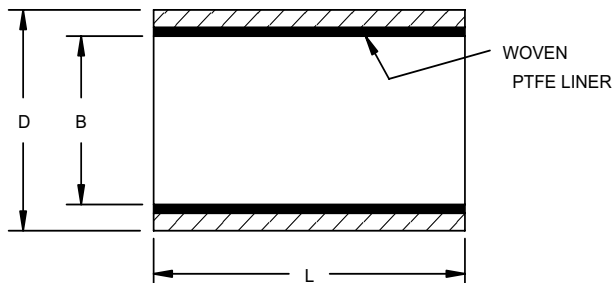
For part number sizes shaded in gray please consult Rexnord Bearing Engineering

Thinwall Straight Sleeve Bearing (Metric)



Product Features

The bearing consists of a self-lubricating woven Teflon™ fiber and polyester liner supported by a filament wound continuous fiberglass fiber and epoxy resin matrix.



Bearing Dimensions

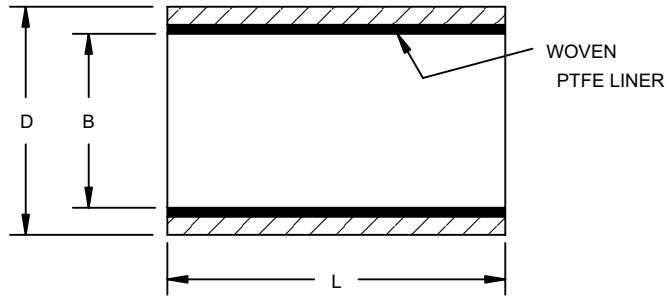
Thinwall - Metric					Model Number Suffix									
Part Number	B ±.0005	D ±.0005	Hsg Bore ±.0003	Max Shaft Dia	L= Length Suffix in Multiples of 1mm (Tolerance +.000/- .500)									
					0.250	0.375	0.500	0.625	0.750	0.875	1.000	1.125	1.250	1.375
7MM1-02006-XXX	0.2397	0.3163	0.3153	0.2358	010	020	030	040	050	060	070	080	090	100
7MM1-03006-XXX	0.2397	0.3556	0.3546	0.2358										
7MM1-02008-XXX	0.3185	0.3950	0.3940	0.3144										
7MM1-03008-XXX	0.3185	0.4344	0.4334	0.3144										
7MM1-02010-XXX	0.3972	0.4738	0.4727	0.3932										
7MM1-03010-XXX	0.3972	0.5132	0.5121	0.3932										
7MM1-02012-XXX	0.4759	0.5526	0.5515	0.4718										
7MM1-03012-XXX	0.4759	0.592	0.5909	0.4718										
7MM1-02014-XXX	0.5547	0.6313	0.6302	0.5506										
7MM1-03014-XXX	0.5547	0.7101	0.7090	0.5506										
7MM1-02016-XXX	0.6334	0.7101	0.7090	0.6293										
7MM1-03016-XXX	0.6334	0.7889	0.7878	0.6293										
7MM1-02018-XXX	0.7122	0.7889	0.7878	0.7080										
7MM1-03018-XXX	0.7122	0.8677	0.8665	0.7080										
7MM1-02020-XXX	0.7909	0.9070	0.9059	0.7866										
7MM1-03020-XXX	0.7909	0.9464	0.9453	0.7866										
7MM1-02022-XXX	0.8696	0.9858	0.9846	0.8654										
7MM1-03022-XXX	0.8696	1.0645	1.0634	0.8654										
7MM1-02025-XXX	0.9877	1.1039	1.1028	0.9835										
7MM1-03025-XXX	0.9877	1.1826	1.1815	0.9835										
7MM1-02030-XXX	1.1846	1.3403	1.3391	1.1803	010	020	030	040	050	060	070	080	090	100
7MM1-03030-XXX	1.1846	1.3795	1.3784	1.1803										
7MM1-02040-XXX	1.5783	1.7340	1.7328	1.5738										
7MM1-03040-XXX	1.5783	1.8127	1.8115	1.5738										
7MM1-02045-XXX	1.7751	1.9702	1.9690	1.7707										
7MM1-03045-XXX	1.7751	2.0096	2.0084	1.7707										
7MM1-02050-XXX	1.9720	2.1672	2.1659	1.9675										
7MM1-03050-XXX	1.9720	2.2851	2.2839	1.9675										

Additional Notes

- Size:** Metric sizes - from 1/8" to 26" inside diameter
- Load:** Typical dynamic loads - 4,000 to 30,000 psi, Ultimate 77,000 psi
- Motion:** Oscillatory, pivot, linear sliding and slow speed full rotation
- Friction:** Coefficients vary from .16 @ 500 psi to .07 @ 20,000 psi
- Electrical:** Filament wound back-up material is an electrical insulator
- Chemical:** Resistant to most chemicals, see Appendix or consult Rexnord engineer
- Temperature:** -65°F to +325°F for Continuous, 400°F for Intermittent

For part number sizes shaded in gray please consult Rexnord Bearing Engineering

Thinwall Straight Sleeve Bearing (Metric)



Product Features

The bearing consists of a self-lubricating woven Teflon[®] fiber and polyester liner supported by a filament wound continuous fiberglass fiber and epoxy resin matrix.

Bearing Dimensions

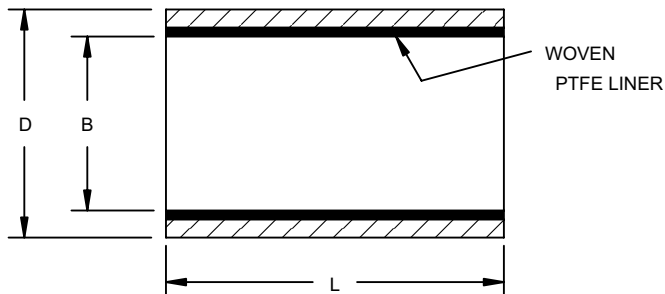
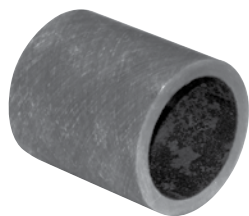
Thinwall - Metric							Model Number Suffix													
Part Number	B	Tolerance	D	Tolerance	Max Hsg Bore	Max Shaft Dia	L= Length Suffix in Multiples of 1mm (Tolerance +.000/- .500)													
							10	20	30	40	50	60	70	80	90	100				
7MM1-02006-XXX	6,0855	±,0125	8,034	±,013	,8000	5,978														
7MM1-03006-XXX	6,0855	±,0125	9,032	±,012	,9000	5,978												080	090	100
7MM1-02008-XXX	8,0900	±,0130	10,033	±,013	,10000	7,972														
7MM1-03008-XXX	8,0900	±,0130	11,033	±,012	,11000	7,972														
7MM1-02010-XXX	10,0890	±,0130	12,034	±,012	,12000	9,972														
7MM1-03010-XXX	10,0890	±,0130	13,035	±,012	,13000	9,972														
7MM1-02012-XXX	12,0880	±,0130	14,036	±,013	,14000	11,966														
7MM1-03012-XXX	12,0880	±,0130	15,037	±,013	,15000	11,966														
7MM1-02014-XXX	14,0895	±,0125	16,035	±,013	,16000	13,966														
7MM1-03014-XXX	14,0895	±,0125	18,036	±,012	,18000	15,966														
7MM1-02016-XXX	16,0885	±,0125	18,036	±,012	,18000	15,966	010													
7MM1-03016-XXX	16,0885	±,0125	20,038	±,013	,20000	15,966														
7MM1-02018-XXX	18,0900	±,0130	20,038	±,013	,20000	17,966		020												
7MM1-03018-XXX	18,0900	±,0130	22,039	±,012	,22000	17,966														
7MM1-02020-XXX	20,0890	±,0130	23,038	±,013	,23000	19,959				030										
7MM1-03020-XXX	20,0890	±,0130	23,038	±,012	,24000	19,959				040							080	090	100	
7MM1-02022-XXX	22,0880	±,0130	25,039	±,012	,25000	21,959														
7MM1-03022-XXX	22,0880	±,0130	27,038	±,012	,27000	21,959														
7MM1-02025-XXX	25,0875	±,0125	28,039	±,013	,28000	24,959														
7MM1-03025-XXX	25,0875	±,0125	30,038	±,013	,30000	24,959														
7MM1-02030-XXX	30,0890	±,0130	34,043	±,013	,34000	29,959														
7MM1-03030-XXX	30,0890	±,0130	35,039	±,012	,35000	29,959														
7MM1-02040-XXX	40,0890	±,0130	44,043	±,013	,44000	39,950														
7MM1-03040-XXX	40,0890	±,0130	46,043	±,012	,46000	39,950														
7MM1-02045-XXX	45,0875	±,0125	50,043	±,013	,50000	44,950														
7MM1-03045-XXX	45,0875	±,0125	51,044	±,013	,51000	44,950														
7MM1-02050-XXX	50,0890	±,0130	55,047	±,013	,55000	49,950														
7MM1-03050-XXX	50,0890	±,0130	58,041	±,012	,58000	49,950														

Additional Notes

- Size:** Metric sizes - from 4mm to 660mm
- Load:** Typical dynamic loads - 4,000 to 30,000 psi, Ultimate 77,000 psi
- Motion:** Oscillatory, pivot, linear sliding and slow speed full rotation
- Friction:** Coefficients vary from .16 @ 500 psi to .07 @ 20,000 psi
- Electrical:** Filament wound back-up material is an electrical insulator
- Chemical:** Resistant to most chemicals, see Appendix or consult Rexnord engineer
- Temperature:** -65°F to +325°F for Continuous, 400°F for Intermittent

For part number sizes shaded in gray please consult Rexnord Bearing Engineering

Heavywall Straight Sleeve Bearing



Product Features

The bearing consists of a self-lubricating woven Teflon™ fiber and polyester liner supported by a filament wound continuous fiberglass fiber and epoxy resin matrix.

Bearing Dimensions

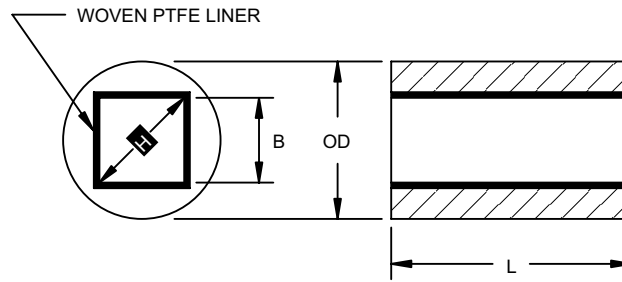
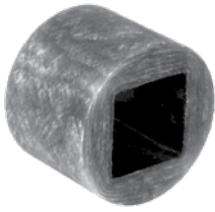
Part Number	Heavywall							Model Number Suffix												
	B	Tolerance	D	Tolerance	Housing Bore	Tolerance	Max Shaft Dia	Wt (Ref) Lb/in.	L= Length Suffix in Multiples of 1/32" (Tolerance +.000/-0.020)											
									1.000	1.250	1.500	1.750	2.000	2.500	3.000	3.500	4.000	6.000	10.000	
701-01028-XXX	1.7590		2.2505		2.2470		1.7500	0.1086												
701-01032-XXX	2.0090		2.5005		2.4970		2.0000	0.1222												
701-01036-XXX	2.2590	±.0010	2.7505		2.7470		2.2500	0.1357												
701-01040-XXX	2.5090		3.0005		2.9970		2.5000	0.1493												
701-01044-XXX	2.7590		3.2505		3.2470		2.7500	0.1628												
701-01048-XXX	3.0097		3.5005		3.4970		3.0000	0.1762												
701-01052-XXX	3.2597	+0.0013	3.7505		3.7470		3.2500	0.1898												
701-01056-XXX	3.5097	-0.0012	4.0005	±.0005	3.9970		3.5000	0.2033												
701-01060-XXX	3.7597		4.2505		4.2470		3.7500	0.2169												
701-01064-XXX	4.0105		4.5005		4.4970	±.001	4.0000	0.2302												
701-01068-XXX	4.2605		4.7505		4.7470		4.2500	0.2437												
701-01072-XXX	4.5125	±.0015	5.0005		4.9970		4.5000	0.2562												
701-01076-XXX	4.7615		5.2505		5.2470		4.7500	0.2702												
701-01080-XXX	5.0112		5.5005		5.4970		5.0000	0.2840												
701-01084-XXX	5.2612	+0.0018	5.7505		5.7470		5.2500	0.2975												
701-01088-XXX	5.5142	.0017	6.0008		5.9960		5.5000	0.3095												
701-01092-XXX	5.7642		6.2508		6.2460		5.7500	0.3230											192	320
701-01096-XXX	6.0140		6.5008		6.4960		6.0000	0.3367												
701-01100-XXX	6.2640	±.0020	6.7508		6.7460		6.2500	0.3502												
701-01104-XXX	6.5140		7.0008		6.9955		6.5000	0.3636												
701-01108-XXX	6.7640		7.2508	+0.0007 -0.0008	7.2455		6.7500	0.3771												
701-01112-XXX	7.0137	+0.0023	7.5008		7.4955		7.0000	0.3910												
701-01120-XXX	7.5137	-0.0022	8.0008		7.9955		7.5000	0.4179												
701-01128-XXX	8.0135		8.2508		8.4955		8.0000	0.4453												
701-01136-XXX	8.5135		9.0010		8.9955		8.5000	0.4727												
701-01144-XXX	9.0135		9.5010		9.4955	±.0015	9.0000	0.4997												
701-01152-XXX	9.5135		10.0010		9.9955		9.5000	0.5267												
701-01160-XXX	10.0135	±.0025	10.5010		10.4955		10.0000	0.5537												
701-01168-XXX	10.5135		11.0010	±.0010	10.9955		10.5000													
701-01176-XXX	11.0135		11.5010		11.4955		11.0000													
701-01184-XXX	11.5135		12.0010		11.9955		11.5000													
701-01192-XXX	12.0135		12.5010		12.4955		12.0000													

Additional Notes

- Size:** Standard & Metric sizes - from 1.750" to 12.000" inside diameter
- Load:** Typical dynamic loads - 4,000 to 30,000 psi, Ultimate 77,000 psi
- Motion:** Oscillatory, pivot, linear sliding and slow speed full rotation
- Friction:** Coefficients vary from .16 @ 500 psi to .07 @ 20,000 psi
- Electrical:** Filament wound back-up material is an electrical insulator
- Chemical:** Resistant to most chemicals, see Appendix or consult Rexnord engineer
- Temperature:** -65°F to +325°F for Continuous, 400°F for Intermittent

For part number sizes shaded in gray please consult Rexnord Bearing Engineering

Square Bore Bearing



Bearing Dimensions

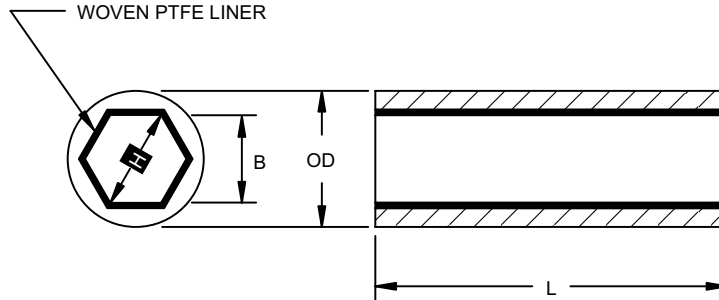
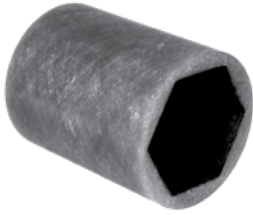
Part Number	Square Bore			Model Number Suffix												Maximum Length		
	B ±.001	D ±.0005	H Min	L= Length Suffix in Multiples of 1/32" (Tolerance +.000/-0.020)														
				0.250	0.375	0.500	0.625	0.750	0.875	1.000	1.125	1.250	1.375	1.500	1.750		2.000	
701-70004-XXX	0.254	0.5012	0.313															3.000
701-70006-XXX	0.379	0.7512	0.490	008									040	044				6.000
701-70008-XXX	0.504	0.8762	0.667		012										048	056	064	6.000
701-70010-XXX	0.629	1.0012	0.843			016												10.000
701-70012-XXX	0.754	1.2512	1.020				020											10.000
701-70014-XXX	0.879	1.5012	1.197					024	028	032	036							10.000
701-70016-XXX	1.004	1.6262	1.374	008								040	044					10.000
701-70018-XXX	1.129	1.8762	1.551											048				10.000
701-70020-XXX	1.254	2.0012	1.727		012										056	064		10.000
701-70022-XXX	1.379	2.2512	1.904			016												10.000
701-70024-XXX	1.504	2.5012	2.081				020											10.000

Additional Notes

- Size:** Standard sizes - from .250" to 1.500" inside diameter, larger sizes available
- Load:** Typical dynamic loads - 4,000 to 30,000 psi, Ultimate 77,000 psi
- Motion:** Linear sliding and/or torque transmission
- Friction:** Coefficients vary from .16 @ 500 psi to .07 @ 20,000 psi
- Electrical:** Filament wound back-up material is an electrical insulator
- Chemical:** Resistant to most chemicals, see Appendix or consult Rexnord engineer
- Temperature:** -65°F to +325°F for Continuous, 400°F for Intermittent

For part number sizes shaded in gray please consult Rexnord Bearing Engineering

Hex Bore Bearing



Product Features

The bearing consists of a self-lubricating woven Teflon™ fiber and polyester liner supported by a filament wound continuous fiberglass fiber and epoxy resin matrix.

Bearing Dimensions

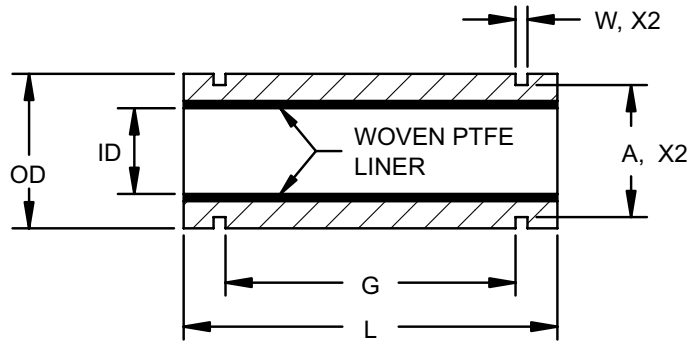
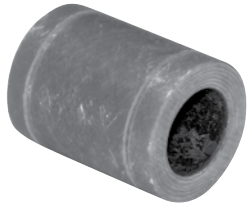
Hex Bore					Model Number Suffix												Maximum Length	
Part Number	B	Tolerance	OD ± .0005	H Min.	L= Length Suffix in Multiples of 1/32" (Tolerance +.000/-.020)													
					0.250	0.375	0.500	0.625	0.750	0.875	1.000	1.125	1.250	1.375	1.500	1.750		2.000
701-90004-XXX	0.255	±.001	0.5012	0.248	008	012	016	020	024	028	032	036	040	044	048	056	064	3.000
701-90006-XXX	0.380		0.6262	0.392														6.000
701-90008-XXX	0.505		0.7512	0.537														6.000
701-90010-XXX	0.630		0.8762	0.681														10.000
701-90012-XXX	0.755		1.0012	0.825														10.000
701-90014-XXX	0.880		1.2512	0.970														10.000
701-90016-XXX	1.005	1.5004	1.114	008	012	016	020	024	028	032	036	040	044	048	056	064	10.000	
701-90018-XXX	1.130	1.6262	1.259														10.000	
701-90020-XXX	1.255	1.7512	1.403														10.000	
701-90022-XXX	1.380	1.8762	1.547														10.000	
701-90024-XXX	1.505	2.0012	1.692														10.000	
																	10.000	

Additional Notes

- Size:** Standard sizes - from .250" to 1.500" inside diameter
- Load:** Typical dynamic loads - 4,000 to 30,000 psi, Ultimate 77,000 psi
- Motion:** Linear sliding and/or torque transmission
- Friction:** Coefficients vary from .16 @ 500 psi to .07 @ 20,000 psi
- Electrical:** Filament wound back-up material is an electrical insulator
- Chemical:** Resistant to most chemicals, see Appendix or consult Rexnord engineer
- Temperature:** -65°F to +325°F for Continuous, 400°F for Intermittent

For part number sizes shaded in gray please consult Rexnord Bearing Engineering

Linear Composite Bearings



Product Features

The bearing consists of a self-lubricating woven Teflon™ fiber and polyester liner supported by a filament wound continuous fiberglass fiber and epoxy resin matrix. Open Linear bearings for pedestal shaft mounts available.

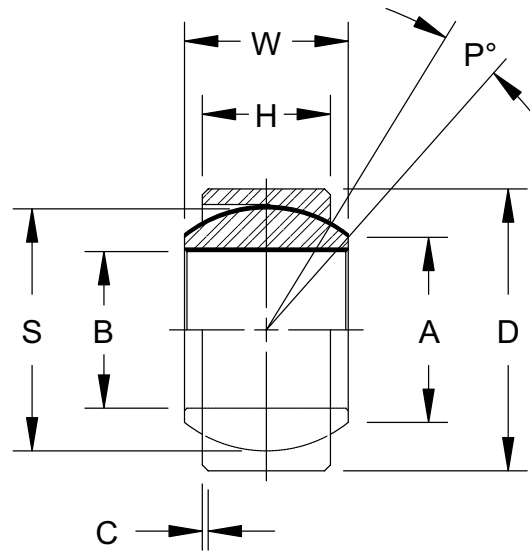
Bearing Dimensions

Part Number	I.D.	Tolerance	OD ±.0005	L +.000 -.020	G	Tolerance	Snap Ring Groove				O.D to I.D. Concentricity
							W	Tolerance	A	Tolerance	
701-66004-024	0.2510	±.0005	0.5006	0.750	0.437	±.010	0.0405	±.0015	0.468	±.002	.001 TIR
701-66006-028	0.3760		0.6256	0.875	0.562		0.0405		0.588	±.003	
701-66008-040	0.5010		0.8756	1.250	0.875		0.0475	0.821	±.004		
701-66010-048	0.6260		1.1256	1.500	1.000	0.0580	±.0020	1.059	±.005		
701-66012-052	0.7510		1.2506	1.625	1.062	0.0580		1.176			
701-66016-072	1.0010		1.5631	2.250	1.625	0.0700	1.468	±.0025	±.006		
701-66020-084	1.2510		2.0006	2.625	1.875	0.0700	1.886				
701-66024-096	1.5010		2.3756	3.000	2.250	0.0885	2.239	±.0030	±.006		
701-66032-128	2.0010		3.0006	4.000	3.000	0.1055	2.838				
701-60040-160	2.5055		±.0010	3.7506	5.000	3.750	0.1225	3.493	±.0030	.003 TIR	
701-60048-192	3.0060	4.5006	6.000	4.500	0.1225	4.190					
701-60064-256	4.0065	±.0015	6.0006	8.000	6.000	±.020	0.1420	±.0030	5.745		

Additional Notes

- Size:** Standard sizes - from .250" to 4.000" inside diameter
- Load:** Typical dynamic loads - 4,000 to 30,000 psi, Ultimate 77,000 psi
- Motion:** Oscillatory, pivot, linear sliding and slow speed full rotation
- Friction:** Coefficients vary from .16 @ 500 psi to .07 @ 20,000 psi
- Electrical:** Filament wound back-up material is an electrical insulator
- Chemical:** Resistant to most chemicals, see Appendix or consult Rexnord engineer
- Temperature:** -65°F to +325°F for Continuous, 400°F for Intermittent

Split Metallic Outer Race Annular Bearings



Product Features

The self-lubricating composite ball consists of a woven Teflon™ fiber and polyester fiber liner supported by a filament wound continuous fiberglass fiber and epoxy resin matrix. The split metallic outer race is carbon steel.

Bearing Dimensions

Part Number	Part Number	B Min	Tolerance	D Max	Tolerance	W +.000 -.005	H +.000 -.005	A (Ref)	C +.010 -.010	P Deg. Min	S Ball O.D.	Limit Load Rating- Lbs.	
831-08-14-01	838-08-14-01	0.5030	+.001	0.8750	+.000 -.0005	0.437	0.375	0.571	0.022	6	0.719	3,750	
831-12-20-01	838-12-20-01	0.7530		1.2500		0.656	0.562	0.858			1.080	8,430	
831-14-23-01	838-14-23-01	0.8780		1.4375		0.765	0.656	0.999			1.258	11,480	
831-16-26-01	838-16-26-01	1.0030		1.6250		0.875	0.750	1.140			1.437	15,000	
831-20-32-01	838-20-32-01	1.2530		2.0000	1.093	0.937	1.424	1.795			23,425		
831-22-35-01	838-22-35-01	1.3780		2.1875	1.187	1.031	1.531	1.937			28,350		
831-24-39-01	838-24-39-01	1.5030		2.4375	1.312	1.125	1.710	2.155			33,750		
831-28-45-01	838-28-45-01	1.7530		2.8125	1.531	1.312	1.995	2.515			45,925		
831-32-51-01	838-32-51-01	2.0030		3.1875	1.750	1.500	2.281	2.875			60,000		
831-36-57-01	838-36-57-01	2.2530		3.5625	1.969	1.687	2.567	3.235			75,900		
831-40-63-01	838-40-63-01	2.5030		3.9375	2.187	1.875	2.847	3.590			93,750		
831-48-76-01	838-48-76-01	3.0030		4.7500	2.625	2.250	3.421	4.312			135,000		
831-64-100-01	838-64-100-01	4.0030		+0.003	6.2500	+0.010	3.500	3.000			4.562	5.750	240,000
831-80-124-01	838-80-124-01	5.0020		+0.005	7.7500	+.0022	4.375	3.750			5.706	7.190	375,000
831-96-140-01	838-96-140-01	6.0030	+0.004	8.7500	4.750		4.125	6.630	5	8.156	495,000		

Additional Notes

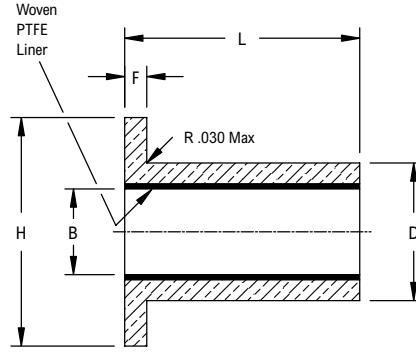
- Size:** Standard & Metric sizes - from .500" to 6.000" inside diameter
- Load:** Typical dynamic loads - 4,000 to 20,000 psi
- Motion:** Oscillatory, pivot, slow speed full rotation, for linear consult Rexnord engineer
- Friction:** Coefficients vary from .16 @ 500 psi to .07 @ 20,000 psi
- Electrical:** Filament wound back-up material of the ball is an electrical insulator
- Chemical:** Consult Rexnord engineer
- Temperature:** -65°F to +325°F for Continuous, 400°F for Intermittent

Flange Bearings

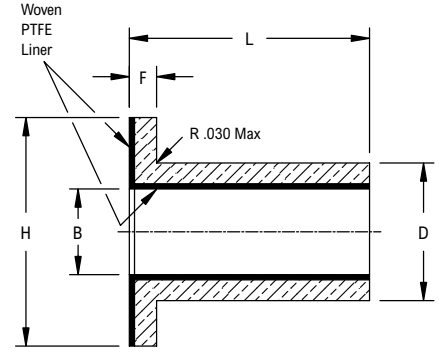


Product Features

The bearing consists of a self-lubricating woven Teflon[®] fiber and polyester liner supported by a filament wound continuous fiberglass fiber and epoxy resin matrix.



STYLE-702



STYLE-703

Bearing Dimensions

Part Number		B ± .0005	D ± .0005	F ± .005	H ± .010	Model Number Suffix													
Unlined Face	Lined Face					L = Length Suffix in Multiples of 1/32" (Tolerance + .000 / - .020)													
						0.250	0.375	0.500	0.625	0.750	0.875	1.000	1.125	1.250	1.375	1.500	1.750	2.000	
702-0004-XXX	703-0004-XXX	0.2535	0.3762	0.094	0.625	008													
702-0006-XXX	703-0006-XXX	0.3785	0.5012	0.125	0.750		012						040	044					
702-0008-XXX	703-0008-XXX	0.5035	0.6262	0.125	0.875										048	056	064		
702-0010-XXX	703-0010-XXX	0.6285	0.7512	0.125	1.000			016											
702-0012-XXX	703-0012-XXX	0.7535	0.8762	0.125	1.125				020										
702-0014-XXX	703-0014-XXX	0.8785	1.0637	0.125	1.312					024									
702-0016-XXX	703-0016-XXX	1.0035	1.1887	0.156	1.438						028								
702-0018-XXX	703-0018-XXX	1.1285	1.3137	0.156	1.562							032							
702-0020-XXX	703-0020-XXX	1.2535	1.4387	0.156	1.688								036						
702-0022-XXX	703-0022-XXX	1.3785	1.5637	0.156	1.812									040	044				
702-0024-XXX	703-0024-XXX	1.5035	1.6887	0.156	1.938	008													
702-0026-XXX	703-0026-XXX	1.6285	1.8137	0.156	2.062		012												
702-0028-XXX	703-0028-XXX	1.7535	1.9387	0.188	2.188			016								048	056	064	
702-0030-XXX	703-0030-XXX	1.8785	2.0637	0.188	2.312				020										
702-0032-XXX	703-0032-XXX	2.0035	2.1887	0.188	2.438					024									
702-0034-XXX	703-0034-XXX	2.1285	2.3137	0.188	2.562						028								
702-0036-XXX	703-0036-XXX	2.2535	2.4387	0.188	2.688							032							
702-0040-XXX	703-0040-XXX	2.5035	2.6887	0.188	2.938								036						

Additional Notes

- Size:** Standard sizes - from .250" to 2.500" inside diameter
- Load:** Typical dynamic loads - 4,000 to 30,000 psi, Ultimate 77,000 psi
- Motion:** Oscillatory, pivot, linear sliding and slow speed full rotation
- Friction:** Coefficients vary from .16 @ 500 psi to .07 @ 20,000 psi
- Electrical:** Filament wound back-up material is an electrical insulator
- Chemical:** Resistant to most chemicals, see Appendix or consult Rexnord engineer
- Temperature:** -65°F to +325°F for Continuous, 400°F for Intermittent - Style 702
-65°F to +250°F for Continuous or Intermittent - Style 703

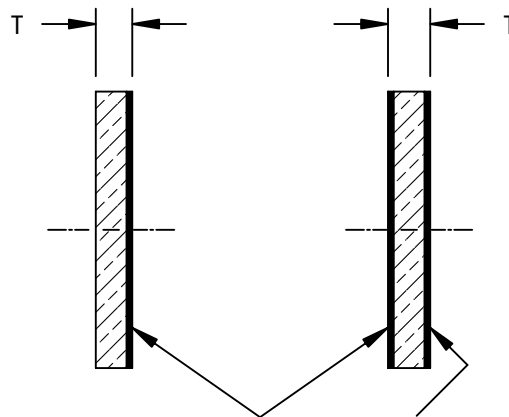
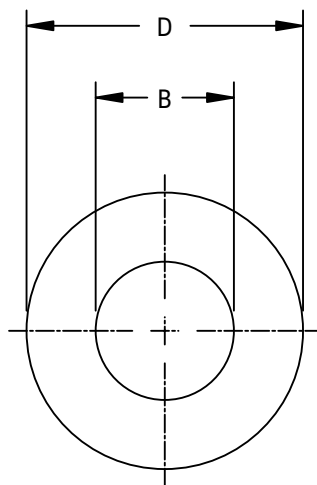
For part number sizes shaded in gray please consult Rexnord Bearing Engineering

Thrust Washers



Product Features

The thrust washer is constructed by bonding woven Teflon™ fiber fabric liner to one or both faces of a washer substrate. The substrate may be metallic, such as low carbon steel, stainless steel or aluminum. It may also be a non-metallic substrate such as NEMA grade G-10 or NEMA grade C. Standard washers are made with G-10 substrate.



Woven PTFE Liner

Bearing Dimensions

Nominal Shaft Diameter	Part Number - 1/16" Thickness		B + .020 - .000	D + .000 - .020	T ± .005
	Lined One Face	Lined Both Faces			
0.250	707-00008-002	707-20008-002	0.270	0.500	0.062
0.312	707-00010-002	707-20010-002	0.332	0.625	0.062
0.375	707-00012-002	707-20012-002	0.395	0.750	0.062
0.437	707-00014-002	707-20014-002	0.457	0.875	0.062
0.500	707-00016-002	707-20016-002	0.520	1.000	0.062
0.625	707-00020-002	707-20020-002	0.645	1.250	0.062
0.750	707-00024-002	707-20024-002	0.770	1.500	0.062
0.875	707-00028-002	707-20028-002	0.895	1.750	0.062
1.000	707-00032-002	707-20032-002	1.020	2.000	0.062
1.125	707-00034-002	707-20034-002	1.145	2.125	0.062
1.250	707-00036-002	707-20036-002	1.270	2.250	0.062
1.375	707-00040-002	707-20040-002	1.395	2.500	0.062
1.500	707-00042-002	707-20042-002	1.520	2.625	0.062
1.625	707-00044-002	707-20044-002	1.645	2.750	0.062
1.750	707-00046-002	707-20046-002	1.770	2.875	0.062
1.875	707-00048-002	707-20048-002	1.895	3.000	0.062
2.000	707-00052-002	707-20052-002	2.020	3.250	0.062

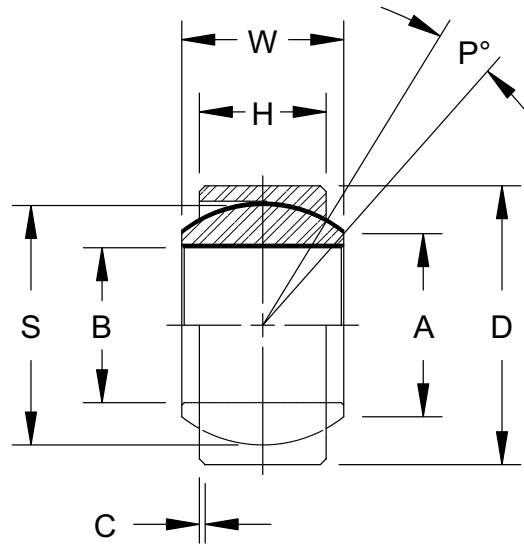
Nominal Shaft Diameter	Part Number - 1/8" Thickness		B + .020 - .000	D + .000 - .020	T ± .005
	Lined One Face	Lined Both Faces			
0.250	707-00008-004	707-20008-004	0.270	0.500	0.125
0.312	707-00010-004	707-20010-004	0.332	0.625	0.125
0.375	707-00012-004	707-20012-004	0.395	0.750	0.125
0.437	707-00014-004	707-20014-004	0.457	0.875	0.125
0.500	707-00016-004	707-20016-004	0.520	1.000	0.125
0.625	707-00020-004	707-20020-004	0.645	1.250	0.125
0.750	707-00024-004	707-20024-004	0.770	1.500	0.125
0.875	707-00028-004	707-20028-004	0.895	1.750	0.125
1.000	707-00032-004	707-20032-004	1.020	2.000	0.125
1.125	707-00034-004	707-20034-004	1.145	2.125	0.125
1.250	707-00036-004	707-20036-004	1.270	2.250	0.125
1.375	707-00040-004	707-20040-004	1.395	2.500	0.125
1.500	707-00042-004	707-20042-004	1.520	2.625	0.125
1.625	707-00044-004	707-20044-004	1.645	2.750	0.125
1.750	707-00046-004	707-20046-004	1.770	2.875	0.125
1.875	707-00048-004	707-20048-004	1.895	3.000	0.125
2.000	707-00052-004	707-20052-004	2.020	3.250	0.125

Additional Notes

- Size:** Standard sizes - from .250" to 2.000" inside diameter
- Load:** Typical dynamic loads - 4,000 to 20,000 psi, Ultimate 60,000 psi
- Motion:** Oscillatory and slow speed full rotation
- Friction:** Coefficients vary from .16 @ 500 psi to .07 @ 20,000 psi
- Electrical:** G-10 substrate material is an electrical insulator
- Chemical:** Resistant to most chemicals, see Appendix or consult Rexnord engineer
- Temperature:** Cryogenic to +250°F

For part number sizes shaded in gray please consult Rexnord Bearing Engineering

Annular Bearings



Product Features

The self-lubricating bearing element consists of a woven Teflon™ fiber and polyester fiber liner supported by a filament wound continuous fiberglass fiber and epoxy resin matrix. The mating element (wear surface) is metallic.

Bearing Dimensions

Part Number	B +.000 -.001	D +.001 -.000	W +.000 -.005	H +.000 -.005	A (Ref)	C +.010 -.010	P Deg. Max	S Ball O.D.	Limit Load Rating- Lbs.
801-08-14-01	0.500	0.8750	0.437	0.375	0.571	0.015	6	0.719	5,400
801-12-20-01	0.750	1.2500	0.656	0.562	0.858			1.080	12,140
801-14-23-01	0.875	1.4375	0.765	0.656	0.999			1.258	16,500
801-16-26-01	1.000	1.6250	0.875	0.750	1.140			1.437	21,560
801-20-32-01	1.250	2.0000	1.093	0.937	1.424			1.795	33,640
801-22-35-01	1.375	2.1875	1.187	1.031	1.531			1.937	40,000
801-24-39-01	1.500	2.4375	1.312	1.125	1.710			2.155	48,480
801-28-45-01	1.750	2.8125	1.531	1.312	1.995			2.515	66,000
801-32-51-01	2.000	3.1875	1.750	1.500	2.281			2.875	86,250
801-36-57-01	2.250	3.5625	1.969	1.687	2.567			3.235	109,150
801-40-63-01	2.500	3.9375	2.187	1.875	2.847			3.590	134,620
801-48-76-01	3.000	4.7500	2.625	2.250	3.421			4.312	194,040
801-64-100-01	4.000	6.2500	3.500	3.000	4.562			5.750	345,000
801-80-124-01	5.000	7.7500	4.375	3.750	5.706			7.190	539,250
801-96-140-01	6.000	8.7500	4.750	4.125	6.630			8.156	672,870
801-96-140-01	6.000	8.7500	4.750	4.125	6.630	5	8.156	672,870	

Part Number	B +.000 -.001	D +.001 -.000	W +.000 -.005	H +.000 -.005	A (Ref)	C +.010 -.010	P Deg. Max	S Ball O.D.	Limit Load Rating- Lbs.
821-04-10-01	0.2520	0.6562	0.3430	0.2500	0.4050	0.0200	12	0.5300	6,300
821-05-12-01	0.3150	0.7500	0.3750	0.2810	0.4190		11	0.5625	7,490
821-06-13-01	0.3770	0.8125	0.4060	0.3120	0.4750	0.0250	10	0.6250	9,060
821-07-14-01	0.4400	0.9062	0.4370	0.3430	0.5290		9	0.6855	11,380
821-08-16-01	0.5020	1.0000	0.5000	0.3900	0.6400	0.0300	9	0.8125	15,750
821-09-18-01	0.5650	1.0937	0.5620	0.4370	0.6710		10	0.8750	18,980
821-10-19-01	0.6270	1.1875	0.6250	0.5000	0.7390	0.0300	9	0.9680	24,180
821-12-23-01	0.7520	1.4375	0.7500	0.5930	0.9200			1.1870	36,170
821-14-25-01	0.8770	1.5625	0.8750	0.7030	0.9780			1.3120	48,160
821-16-28-01	1.0020	1.7500	1.0000	0.7970	1.1180			1.5000	63,100
801-40-63-01	2.500	3.9375	2.187	1.875	2.847			3.590	134,620
801-48-76-01	3.000	4.7500	2.625	2.250	3.421	4.312	194,040		
801-64-100-01	4.000	6.2500	3.500	3.000	4.562	5.750	345,000		
801-80-124-01	5.000	7.7500	4.375	3.750	5.706	7.190	539,250		
801-96-140-01	6.000	8.7500	4.750	4.125	6.630	8.156	672,870		
801-96-140-01	6.000	8.7500	4.750	4.125	6.630	5	8.156	672,870	

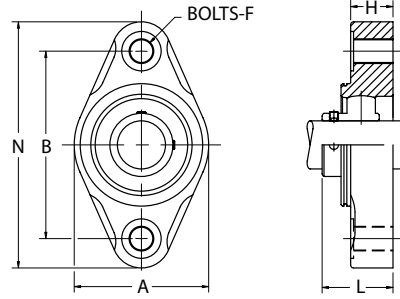
Additional Notes

Size: Standard sizes - from .250" (821 Series) to 6.000" (801 Series) inside diameter
Load: Typical dynamic loads - 4,000 to 20,000 psi
Motion: Oscillatory, pivot, slow speed full rotation, for linear consult Rexnord engineer
Friction: Coefficients vary from .16 @ 500 psi to .07 @ 20,000 psi
Electrical: The composite component filament wound back-up material is an electrical insulator
Chemical: Resistant to most chemicals, consult Rexnord engineer
Temperature: -65°F to +325°F for Continuous, 400°F for Intermittent

(801) bearings are supplied with 17- 4 PH Stainless Steel Ball. Consult Rexnord Engineering for other available materials

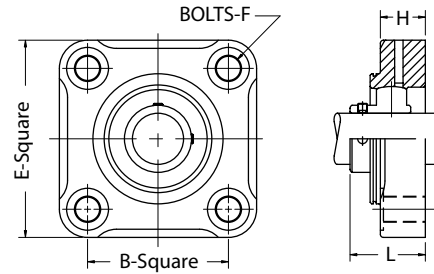
(821) Replaceable composite ball with metallic loader slot outer race

2-Bolt Flange Mounting



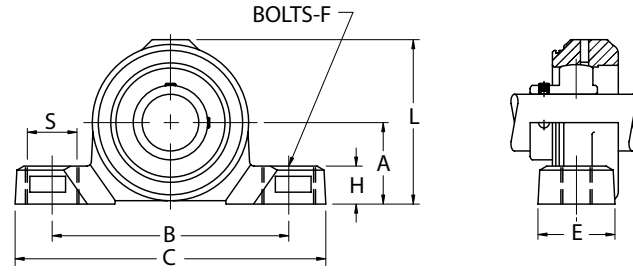
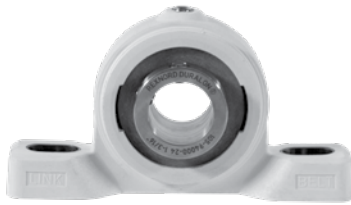
Part Number	Shaft Diameter	A	B	F Bolts	H	L Shaft Protector Length	N
DKLFXM012SP	3/4	2 7/16	3.543	3/8	51/64	1.44	4 9/16
DKLFXM013SP	13/16	2 13/16	3.898		7/8	1.5	5 1/8
DKLFXM014SP	7/8	2 13/16	3.898		7/8	1.5	5 1/8
DKLFXM015SP	15/16	2 13/16	3.898		7/8	1.5	5 1/8
DKLFXM016SP	1	2 13/16	3.898		7/8	1.5	5 1/8
DKLFXM017SP	1 1/16	3 11/32	4.606		1 1/64	1.82	5 53/64
DKLFXM018SP	1 1/8	3 11/32	4.606		1 1/64	1.82	5 53/64
DKLFXM019SP	1 3/16	3 11/32	4.606		1 1/64	1.82	5 53/64
DKLFXM02E20SP	1 1/4S	3 11/32	4.606		1 1/64	1.82	5 53/64
DKLFXM220SP	1 1/4	3 21/32	5.118		1 1/64	1.96	6 3/8
DKLFXM221SP	1 5/16	3 21/32	5.118		1 1/64	1.96	6 3/8
DKLFXM222SP	1 3/8	3 21/32	5.118		1 1/64	1.96	6 3/8
DKLFXM223SP	1 7/16	3 21/32	5.118		1 1/64	1.96	6 3/8
DKLFXM224SP	1 1/2	4 1/64	5.672		1 3/16	2.03	6 59/64

4-Bolt Flange Mounting



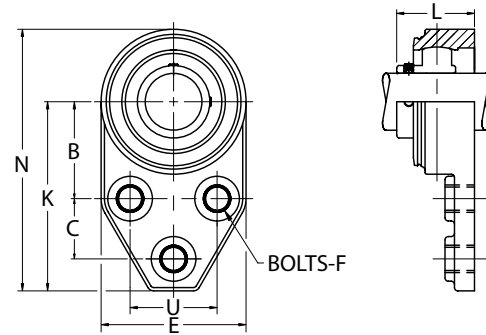
Part Number	Shaft Diameter	B	E	F Bolts	H	L Shaft Protector Length
DKLFM013SP	13/16	2.756	3 55/64	3/8	7/8	1.5
DKLFM014SP	7/8	2.756	3 55/64		7/8	1.5
DKLFM015SP	15/16	2.756	3 55/64		7/8	1.5
DKLFM016SP	1	2.756	3 55/64		7/8	1.5
DKLFM017SP	1 1/16	3.268	4 21/64		1 1/64	1.82
DKLFM018SP	1 1/8	3.268	4 21/64		1 1/64	1.82
DKLFM019SP	1 3/16	3.268	4 21/64		1 1/64	1.82
DKLFM02E20SP	1 1/4S	3.268	4 21/64		1 1/64	1.82
DKLFM220SP	1 1/4	3.622	4 23/32		1 1/64	1.96
DKLFM221SP	1 5/16	3.622	4 23/32		1 1/64	1.96
DKLFM222SP	1 3/8	3.622	4 23/32		1 1/64	1.96
DKLFM223SP	1 7/16	3.622	4 23/32		1 1/64	1.96
DKLFM224SP	1 1/2	4.016	5 5/32		1 3/16	2.03

Pillow Block

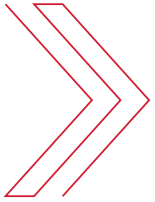


Part Number	Shaft Diameter	A	B	C	E	F Bolts	H	J	L	L Shaft Protector Length	S
DKLPM012SP	3/4	1 5/16	3 25/32	5 1/32	1 3/16	3/8	43/64	3/4	3 1/32	1.44	7/8
DKLPM013SP	13/16	1 7/16	4 11/16	5 31/64	1 23/64		43/64	13/16	3 11/32	1.5	7/8
DKLPM014SP	7/8	1 7/16	4 11/16	5 31/64	1 23/64		43/64	13/16	3 11/32	1.5	7/8
DKLPM015SP	15/16	1 7/16	4 11/16	5 31/64	1 23/64		43/64	13/16	3 11/32	1.5	7/8
DKLPM016SP	1	1 7/16	4 11/16	5 31/64	1 23/64		43/64	13/16	3 11/32	1.5	7/8
DKLPM017SP	1 1/16	1 11/16	4 49/64	6 27/64	1 27/64		25/32	61/64	3 55/64	1.82	15/16
DKLPM018SP	1 1/8	1 11/16	4 49/64	6 27/64	1 27/64		25/32	61/64	3 55/64	1.82	15/16
DKLPM019SP	1 3/16	1 11/16	4 49/64	6 27/64	1 27/64		25/32	61/64	3 55/64	1.82	15/16
DKLPM02E20SP	1 1/4S	1 11/16	4 49/64	6 27/64	1 27/64		25/32	61/64	3 55/64	1.82	15/16
DKLPM220SP	1 1/4	1 7/8	4 31/32	6 37/64	1 33/64		25/32	1 7/16	4 1/4	1.96	15/16
DKLPM221SP	1 5/16	1 7/8	4 31/32	6 37/64	1 33/64		25/32	1 7/16	4 1/4	1.96	15/16
DKLPM222SP	1 3/8	1 7/8	4 31/32	6 37/64	1 33/64		25/32	1 7/16	4 1/4	1.96	15/16
DKLPM223SP	1 7/16	1 7/8	4 31/32	6 37/64	1 33/64		25/32	1 7/16	4 1/4	1.96	15/16
DKLPM224SP	1 1/2	2	5 11/32	7 9/32	1 33/64		25/32	1 13/64	4 13/32	2.03	15/16

3 Bolt Flange Bracket



Part Number	Shaft Diameter	B	C	D	E	F Bolts	K	L Shaft Protector Length	N	U
DKLFBM013SP	13/16	1 13/16	1 1/8	1 11/64	2 23/32	3/8	3 17/32	1.5	4 57/64	1 5/8
DKLFBM014SP	7/8	1 13/16	1 1/8	1 11/64	2 23/32		3 17/32	1.5	4 57/64	1 5/8
DKLFBM015SP	15/16	1 13/16	1 1/8	1 11/64	2 23/32		3 17/32	1.5	4 57/64	1 5/8
DKLFBM016SP	1	1 13/16	1 1/8	1 11/64	2 23/32		3 17/32	1.5	4 57/64	1 5/8
DKLFBM017SP	1 1/16	2 1/16	1 1/4	1 11/32	3 13/64		3 55/64	1.82	5 15/32	1 7/8
DKLFBM018SP	1 1/8	2 1/16	1 1/4	1 11/32	3 13/64		3 55/64	1.82	5 15/32	1 7/8
DKLFBM019SP	1 3/16	2 1/16	1 1/4	1 11/32	3 13/64		3 55/64	1.82	5 15/32	1 7/8
DKLFBM02E20SP	1 1/4S	2 1/16	1 1/4	1 11/32	3 13/64		3 55/64	1.82	5 15/32	1 7/8
DKLFBM220SP	1 1/4	2 3/8	1 1/4	1 9/16	3 11/16	7/16	4 15/64	1.96	6 5/64	2
DKLFBM221SP	1 5/16	2 3/8	1 1/4	1 9/16	3 11/16		4 15/64	1.96	6 5/64	2
DKLFBM222SP	1 3/8	2 3/8	1 1/4	1 9/16	3 11/16		4 15/64	1.96	6 5/64	2
DKLFBM223SP	1 7/16	2 3/8	1 1/4	1 9/16	3 11/16		4 15/64	1.96	6 5/64	2



SLEEVE BEARINGS

Rigid: Link-Belt

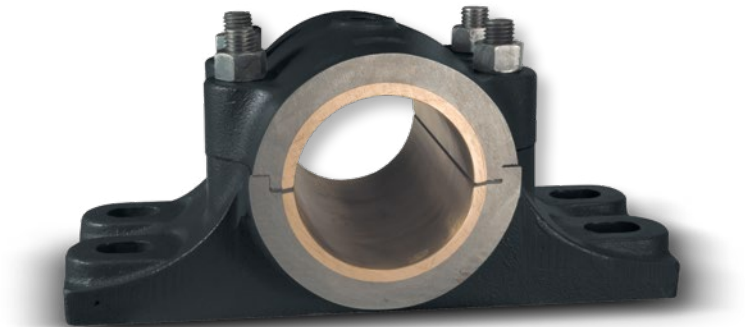
CONTENTS

PAGE

Features and Benefits	518
Nomenclature	519
Engineering	520
Dimensions	
Pillow Block	524
Take-up Assemblies	526
Replacement Parts	527

INDUSTRIES SERVED

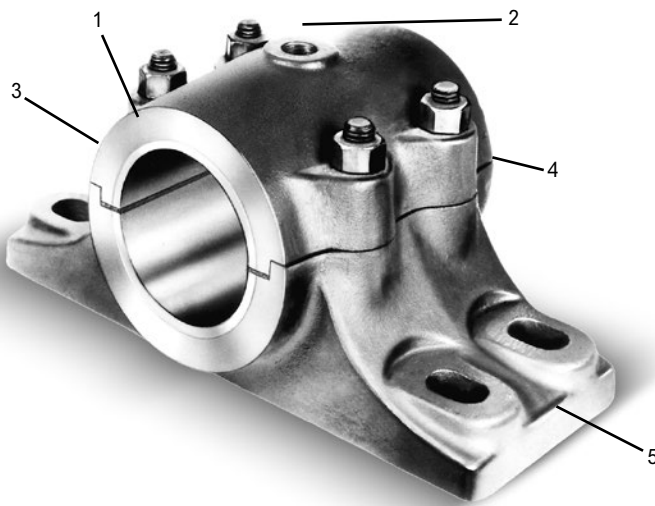
Wastewater Management
Industrial Furnace Applications
Dams
Highway Infrastructure
Forest Products
Air Handling



Rigid Sleeve Bearing Units and Take-ups

Rigid sleeve bearing units provide compact and reliable usage in applications where continuous operation and uninterrupted service are required. Because the bearing material wears gradually, sudden breakdowns and costly maintenance are minimized. Sleeve bearings can also operate extremely quietly. The standard bearing materials of babbitt, bronze and cast iron will handle a wide variety of applications such as on log decks, sewage treatment equipment, furnaces and ovens, quiet operating fans and blowers, power plant dampers and stokers, oscillating shaft applications and other general conveying and power transmission machinery. Babbitt bearings are used for moderate speeds and loads and ambient temperatures up to 130°F (54°C). Babbitt has the ability to give excellent service with a minimum of maintenance.

Bronze bearings are recommended for heavier loads, impact, and temperatures beyond the limits of babbitt bearings. They can be operated at ambient temperatures up to 300°F (149°C) providing satisfactory lubrication is available. Bronze has excellent all-around bearing characteristics; it has a relatively low coefficient of friction and a remarkable resistance to shock and wear.



1. Secure Mounting

Bearing of babbitt or bronze is securely anchored in housing.

2. Lubrication

Housing is drilled and tapped for grease cup or lubrication fitting; grooves distribute lubricant over loaded area.

3. Finished Ends

Finished ends permit flush mounting of pulley, sprocket, or collar against bearing when required.

4. Two-piece Pillow Block

Two-piece pillow block has shims to provide for adjustment and compensate for wear.

5. Finished Mounting Surface

Mounting surface is finished to provide firm seating on flat support.

Two-piece Pillow Blocks

Two-piece pillow blocks are used whenever a bearing with a removable cap is required. They are available with babbitt or bronze bearings.

For heavy side pressures or angular loading, housings with gibbed joints provide greater strength. Cast steel housings are used where sudden shocks or heavy impact loads are encountered.



Nomenclature

Symbol	Description	2K	14	95	F	Z	XX
None	One-piece housing, cast iron	-----	-----	-----	-----	-----	-----
2—	Two-piece housing, cast iron						
2K	Two-piece housing, cast steel						
12	Pillow block, angle type split joint, 2-bolt base	-----	-----	-----	-----	-----	-----
14	Pillow block, horizontal gibbed joint, 4-bolt base						
DS28	Take-up, conveyor, heavy rigid frame						
DSB28	Take-up, conveyor, heavy hinged frame						
95	Shaft diameter in 16ths of an inch						
F	4-bolt base (units 1000, 1100 only)						
None	Babbitt bearing (except units 1100)	-----	-----	-----	-----	-----	-----
Z	Bronze bearing						
XX	Take-up adjustment, inches						

Rigid Sleeve Bearing Units Selection Guide

To select a rigid sleeve bearing, determine the applied radial load and the applicable operating conditions. The procedure shown here will aid in selecting an appropriate bearing.

The selection procedures and rating formulas used here are in agreement with industry standards for sleeve bearings established by the Mechanical Power Transmission Association. The bearing ratings apply when certain installation and operating conditions are met and when any other adverse ambient conditions such as high or low temperatures, extreme dirt or moisture, chemical contamination, shock or vibration loading direct or induced, oscillating shafts, intermittent operation and related factors are carefully considered.

The ratings used apply when the following conditions are met:

1. Align bearings with the shaft to provide uniform load distribution.
2. Normal running loads should not exceed the ratings shown in the tables. Starting and occasional peak loads should not exceed these ratings by more than 100%.
3. The direction of the load should not be within 30° (.53 radians) of either side of the grease groove and must further meet any load direction limitations imposed by Table 1.
4. The shaft finish through the bearing bore should be at least as smooth as that of normal commercial cold finished steel shafting (about 32 micro-inches or .82 μm). There should also be no machined or ground spiral lead on the shaft journal. Shafting should be within the diameter tolerances listed on the next page.
5. Ambient temperatures should not exceed 130°F (54°C) for babbitt and 300°F (149°C) for bronze bearings. This temperature limit applies to shafts extending from ovens, high temperature fans, etc.
6. Sturdy, vibration-free supporting structures must be provided, along with adequate grease lubrication.

Steps for Selection

Step 1

From Table 1, select the bearing material and housing series and material suitable for the radial load direction.

Step 2




Refer to the radial load rating tables in the Load Ratings and Speed Limits section to determine the shaft diameter necessary to obtain the required radial rating at the given speed.

If the conditions described above cannot be met, the load should be increased by a service factor prior to selecting the bearing sizes from the tables shown in the Load Ratings and Speed Limits section. The service factor may be as high as 2.0 for conditions to the left of the "stair-step" line, or as high as 3.0 for conditions to the right of the line. Consult Rexnord Bearing Division.

Step 3

To position a shaft axially or where light thrust loads are present, provide thick bronze washers backed by a shaft collar or a machined shaft shoulder against the end of the bearing. The bearing ends are already machined.

Table 1 – Bearing material and unit type selection

Material		Recommended Loading Range, Degrees, Radius For Pillow Block Or Flanged Unit*	Available Shaft Sizes, inches	Rigid unit series	
Bearing	Housing			Pillow Block	
				2-bolt	4-bolt
Babbitt	Cast iron two-piece	 120° 2.1 rad	7/8 - 3 15/16	2-1200	
Bronze	Cast iron two-piece	 120° 2.1 rad	7/8 - 3 15/16	2-1200Z	
	Cast steel two-piece	 300° 5.2 rad	1 15/16 - 12		2K1400Z

* Shaded portion of drawings represents recommended loading range with the grease groove horizontal and opposite the loaded area. For other positioning, consult Rexnord Bearing Division.

□ 300° (5.2 rad.) for housings with gibbed joint construction.

Additional Information

Sleeve Bearing Materials:

Plain bearings made of babbitt are universally accepted as providing reasonable capacity and dependable service, often under adverse conditions. Babbitt is a relatively soft bearing material and for this reason minimizes danger of scoring or damage to shafts or rotors. It can often be repaired quickly on the spot by rescraping, pouring of new metal, etc. Bearing operating temperature should not exceed 130°F (54°C) although occasional peaks to 200°F (93°C) may be tolerated. Babbitt bearings are usually restricted to applications involving light to moderate loads and mild shock.

Bronze bearings are suitable for heavier loads than babbitt (75% to 200% higher), depending upon specific conditions of load and speed. Bronze withstands higher shock loads and permits somewhat higher speed operation. It is usually restricted to 300°F (150°C) ambient temperature, although normal multi-purpose greases are limited to 200°-250°F (93°-121°C) operating temperature. Bronze is a harder material than babbitt and has a greater tendency to score or damage shafts in the event of malfunction such as lack of relubrication. Field repair of bronze bearings generally requires removing shims and scraping or replacement of bushings.

Cast iron bearings (series 1100) are low in cost and suitable for many slow moving shafts and oscillating or reciprocating arms supporting relatively light loads. The lubricating characteristics of cast iron are attributed to the free graphite flakes present in the material. With the use of cast iron bearings, higher shaft clearance is usually utilized. Thus any large wear particles or debris will not join or seize the bearing. This material has been used to temperatures as high as 1000°F (538°C) under light loads and slow speed intermittent operations, where ordinary lubricants are ineffective.

Additional Features:

By the very nature of their design, all rigid sleeve bearing units are expansion type, in that the shaft journal is free to slide axially through the bore of the bearing. To fix a unit, a combination of shaft shoulders and/or thrust collars with bronze washers can be utilized. Rigid sleeve bearing units have cored mounting bolt holes suitable for the inch or metric bolts listed.

Bearings can be replaced in units with bronze sleeves. Care should be taken when replacing bronze sleeves, split or solid, to firmly anchor the sleeve to the housing.

Operation:

Rigid sleeve bearing units are not prelubricated. The service instructions packed with shipments provide guide lines for initial lubrication and relubrication intervals. As lack of lubrication results in bearing and shaft wear, care must be taken to assure an adequate supply of correct lubricant, especially during initial start-up and until satisfactory relubrication intervals are determined. Very careful shaft alignment is necessary during installation. Shaft journals must turn freely without binding in the bearing or excessive heat and seizure can result. Any factor which may disrupt or remove the lubricant film should be eliminated as well. Sharp edges on the shaft or the bearing surface can act as scrapers to destroy lubricant films. Do not extend shaft keyways into bearing bores. When rigid sleeve bearings must carry light to medium thrust loads, thrust washers of bronze should be placed against the already machined face of the bearing and backed by substantial thrust collars, shaft shoulders, machined gear, sprocket or sheave faces, etc.

Take-ups:

Rigid sleeve bearing pillow blocks can be mounted on the universal take-up frame LC, and LHD universal take-up frame. Alignment of rigid sleeve bearing take-ups is difficult and must be carefully accomplished. Alignment must also be maintained during any further adjustment of the take-up after operation. Bolt take-up frames firmly to good supporting structure to prevent frame overload and distortion.

Shaft Tolerances:

Shaft diameters for rigid sleeve bearing units are usually held to the following regular commercial tolerances:

Shaft Diameters	Recommended Tolerance
through 2"	Nominal to -.003"
2 1/16" through 4"	Nominal to -.004"
4 1/16" through 6"	Nominal to -.005"
6 1/16" through 13"	Nominal to -.006"

Warning:

The reliability built in all Rexnord bearings can be realized in service only when bearings are correctly selected, properly installed, protected and maintained.

The correct selection of rigid sleeve bearing mounted units requires that the magnitude and nature of all loads, speeds, alignment, mounting, operating requirements and maintenance be adequately considered. The selection of materials for and design of housings, shafting, fasteners, and accessories as well as provisions for installation and maintenance must follow good engineering principles.

Housings must be selected and installed with regard to the degree and direction of the forces that will occur. Housings should not be used under tension loads except with adequate safety factors. For this reason pillow blocks are best suited to withstand radial loads passing through the base. When heavy loads or shock loads are possible, it is most important to mount a unit so that the line of force passes directly into the base, or so that the unit is directly and substantially supported other than through its mounting bolts.

Where the line of force falls outside the base, serious housing and fastener deflection or failure may occur.

Take-ups are best located where loads are moderate and no shock loads are present. As many mounting arrangements are possible with take-ups, proper safety factors must always be considered on all items of the system, including shafts, housings, fasteners, and adjusting screws. Rexnord Bearing Division, should be consulted where unusual loading conditions exist.

Load Ratings – Babbitt Rigid Sleeve Bearing Units

Radial Load Ratings for 10 to 300 RPM (pounds/newtons) * ■

Shaft Diameter, inches	Shaft Speed, RPM													
	10		50		100		150		200		250		300	
1/2	100	445	100	445	100	445	95	423	95	423	95	423	95	423
5/8	150	667	150	667	145	645	145	645	140	623	140	673	135	600
3/4	180	801	175	778	175	778	170	756	170	756	165	734	160	712
7/8	260	1157	255	1134	250	1112	245	1090	240	1068	235	1045	230	1023
15/16	280	1246	275	1223	265	1179	260	1157	255	1134	250	1112	245	1090
1	295	1312	290	1290	285	1268	280	1246	270	1201	265	1179	260	1157
1 1/8	415	1846	410	1824	400	1779	390	1735	380	1690	370	1646	355	1579
1 3/16, 1 1/4	440	1957	430	1913	420	1868	410	1824	395	1757	385	1713	375	1668
1 5/16, 1 3/8,	585	2602	570	2535	555	2469	535	2380	520	2313	505	2246	485	2157
1 7/16, 1 1/2	640	2847	625	2780	605	2691	585	2602	565	2513	545	2424	525	2335
1 11/16, 1 3/4	875	3892	850	3781	820	3648	785	3492	755	3358	720	3203	690	3069
1 15/16, 2	1150	5120	1110	4940	1060	4720	1010	4490	965	4292	915	4070	865	3848
2 3/16, 2 1/4	1460	6490	1400	6230	1330	5920	1260	5600	1190	5290	1120	4980	1050	4670
2 7/16, 2 1/2	1800	8010	1730	7690	1630	7250	1530	6810	1430	6360	1340	5960	1240	5520
2 11/16, 2 3/4	2190	9740	2080	9250	1950	8670	1820	8100	1690	7520	1560	6940	1150	5120
2 15/16, 3	2600	11570	2470	10990	2300	10230	2130	9470	1960	8720	1790	7960	675	3002
3 7/16, 3 1/2	3550	15790	3330	14810	3060	13610	2790	12410	2520	11210	1200	5340		
3 15/16, 4	4640	20640	4310	19170	3910	17390	3500	15570	2760	12280				
4 7/8, 4 1/2	5870	26110	5410	24060	4830	21480	4250	18900	1410	6270				
4 15/16, 5	7240	32210	6600	29360	5810	25840	5010	22290						
5 7/16, 5 1/2	8750	38920	7900	35140	6840	43030	4360	19390						
5 15/16, 6	10410	46310	9300	41370	7910	35190	2390	10630						
6 7/16, 6 1/2	12200	54270	10790	48000	9020	40120								
6 15/16, 7	14120	62810	12360	54980	10150	45150								
7 7/16, 7 1/2	17270	76820	14950	66500	12050	53600								
7 15/16, 8	18390	81800	15750	70060	10710	47640								
9	20750	92300	17360	77220	4140	18420								
10	22950	102090	18760	83450										
12	30700	136560	23910	106360										

For speeds lower than 10 RPM
consult Rexnord Bearing Division.

Radial Load Rating for 350 to 1000 RPM (pounds/newtons) *

Shaft Diameter, inches	Shaft Speed, RPM																	
	350		400		450		500		600		700		800		900		1000	
1/2	95	423	90	400	90	400	90	400	85	378	85	378	85	378	80	356	80	356
5/8	135	600	135	600	130	587	130	587	125	556	120	534	115	512	110	489	110	489
3/4	160	712	155	689	155	689	150	667	145	645	140	623	130	578	125	556	120	534
7/8	225	1001	220	979	215	956	210	934	200	890	190	845	180	801	150	667		
15/16	240	1068	235	1045	225	1001	220	979	210	934	200	890	185	823	105	467		
1	250	1112	245	1090	240	1068	230	1023	220	979	205	912						
1 1/8	345	1535	335	1490	325	1446	315	1401	295	1312	245	1090						
1 3/16, 1 1/4	360	1601	350	1557	340	1512	325	1446	305	1357	190	845						
1 5/16, 1 3/8,	470	2091	455	2024	435	1935	420	1868	345	1535								
1 7/16, 1 1/2	500	2224	480	2135	460	2046	440	1957	205	912								
1 11/16, 1 3/4	655	2914	625	2780	590	2624	340	1512										
1 15/16, 2	815	3625	730	3247	335	1490												
2 3/16, 2 1/4	975	4337	410	1824														
2 7/16, 2 1/2	645	2869																

■ Load ratings are based on industry standards established by the Mechanical Power Transmission Association.

* For plain bore Cast Iron Sleeve Bearing Units use radial load ratings at speeds to the left of the shaded area.

Load Ratings – Bronze Rigid Sleeve Bearing Units

Radial Load Rating for 10 to 300 RPM (pounds/newtons) ■

Shaft Diameter, inches	Shaft Speed, RPM													
	10		50		100		150		200		250		300	
1/2	200	890	200	890	200	890	195	867	195	867	195	867	195	867
5/8	250	1112	250	1112	245	1090	245	1090	240	1090	240	1068	240	1068
3/4	300	1334	300	1334	295	1312	295	1312	290	1290	285	1268	285	1268
7/8	435	1935	430	1913	425	1890	420	1868	415	1846	410	1824	405	1802
15/16	465	2068	460	2046	455	2024	450	2002	445	1979	435	1935	430	1913
1	495	2202	490	2180	485	2157	480	2135	470	2091	465	2068	460	2046
1 1/8	700	3114	690	3069	680	3025	670	2980	660	2936	650	2891	640	2847
1 3/16, 1 1/4	735	3269	730	3247	715	3180	705	3136	695	3092	680	3025	670	2980
1 5/16, 1 3/8,	980	4359	965	4293	950	4226	930	4137	915	4070	895	3981	880	3914
1 7/16, 1 1/2	1070	4760	1050	4670	1030	4580	1010	4490	995	4426	975	4337	955	4248
1 11/16, 1 3/4	1470	6540	1440	6410	1410	6270	1370	6090	1340	5960	1310	5830	1280	5690
1 15/16, 2	1920	8540	1880	8360	1830	8140	1790	7960	1740	7740	1690	7520	1640	7300
2 3/16, 2 1/4	2440	10850	2390	10630	2320	10320	2240	9960	2170	9650	2100	9340	2030	9030
2 7/16, 2 1/2	3020	13430	2940	13080	2850	12680	2750	12230	2650	11790	2560	11390	2460	10940
2 11/16, 2 3/4	3660	16280	3560	15840	3430	15260	3300	14680	3170	14100	3040	13520	2620	11650
2 15/16, 3	4370	19440	4230	18820	4060	18060	3890	17300	3720	16550	3550	15790	2440	10850
3 7/16, 3 1/2	5960	26510	5740	25530	5470	24330	5200	23130	4930	21930	3610	16060	1440	6410
3 15/16, 4	7790	34650	7460	33180	7060	31400	6650	29580	5910	26290				
4 7/8, 4 1/2	9860	43860	9400	41810	8820	39230	8240	36650	5400	24020				
4 15/16, 5	12180	54180	11540	51330	10740	47770	9950	44260	4090	18190				
5 7/16, 5 1/2	14740	65570	13880	61740	12820	57030	10340	45990	1820	8100				
5 15/16, 6	17530	77980	16420	73040	15040	66900	9520	42350						
6 7/16, 6 1/2	20560	91460	19150	85180	17390	77350	7900	35140						
6 15/16, 7	23840	106050	22070	98170	19870	88390	5350	23800						
7 7/16, 7 1/2	29170	129750	26850	119430	23950	106530	1880	8360						
7 15/16, 8	31090	138300	28450	126550	23410	104130								
9	35150	156360	31760	141280	18540	82470								
10	38950	172260	34760	154620	12220	54360								
12	52300	232640	45520	202480										

For speeds lower than 10 RPM
consult Rexnord Bearing Division.

Radial Load Rating for 350 to 1000 RPM (pounds/newtons)

Shaft Diameter, inches	Shaft Speed, RPM																	
	350	400	450	500	600	700	800	900	1000									
1/2	195	867	190	845	190	845	190	845	185	823	185	823	185	823	180	800	180	800
5/8	235	1045	235	1045	235	1045	230	1023	225	1001	220	979	220	979	215	956	210	934
3/4	280	1246	280	1246	275	1223	270	1201	265	1179	260	1157	255	1134	250	1112	240	1068
7/8	400	1779	395	1757	390	1735	385	1713	375	1668	365	1624	355	1579	325	1446	245	1090
15/16	425	1890	420	1868	415	1846	410	1824	395	1757	385	1713	375	1668	295	1312	200	890
1	450	2002	445	1979	440	1957	430	1913	420	1868	405	1802	360	1601	255	1134	150	667
1 1/8	630	2802	620	2758	605	2691	595	2647	575	2558	525	2335	360	1601	195	867		
1 3/16, 1 1/4	660	2936	645	2869	635	2825	625	2780	600	2669	485	2157	300	1334	115	512		
1 5/16, 1 3/8,	865	3848	845	3759	830	3692	815	3625	735	3269	465	2068	195	867				
1 7/16, 1 1/2	935	4159	915	4070	895	3981	875	3892	635	2825	315	1401						
1 11/16, 1 3/4	1240	5520	1210	5380	1180	5250	930	4137	410	1824								
1 15/16, 2	1590	7070	1500	6670	1110	4940												
2 3/16, 2 1/4	1960	8720	1390	6180	830	3692												
2 7/16, 2 1/2	1860	8270	1090	4850														
2 11/16, 2 3/4	1580	7030	545	2424														

■ Load ratings are based on industry standards established by the Mechanical Power Transmission Association.

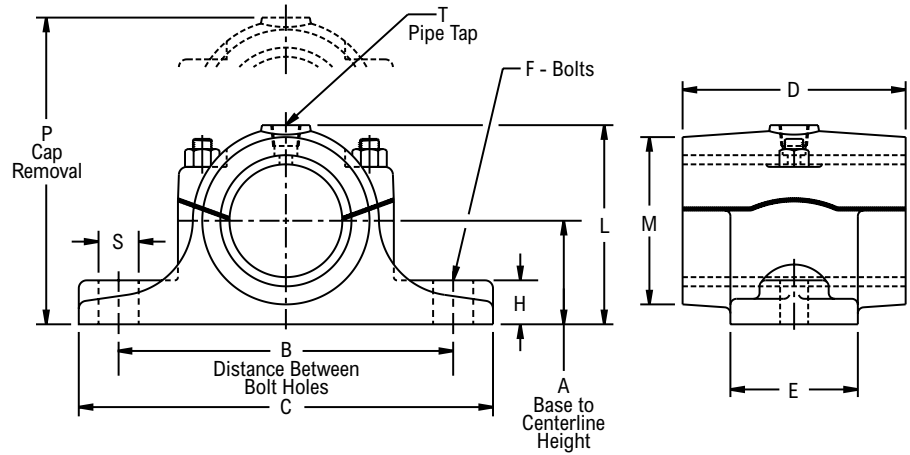
21200, 21200Z



Photo Shows a 2-Bolt Rigid Sleeve Bearing Two-Piece Pillow Block Unit with Bronze Bushing

Product Features

- Corrosion-resistant powder coating
- Cast iron two piece housing
- Babbitt or Bronze sleeve
- 2-bolt base
- Relubricatable
- See Features and Benefits for additional info on page 518.



Bearing Dimensions

Shaft Diameter	Babbitt	Bronze	A Base to Centerline Height	B Distance Between Bolt Holes	C	D	E	F	H	L	M	P	S	T	Approx. Weight
	Part Number	Part Number													
7/8	21214	21214Z	1	3 5/8	4 3/4	2	1 3/8	3/8	9/16	2 1/16	1 13/16	3	9/16	1/8	1.90
15/16	21215	21215Z													1.80
1	21216	21216Z													1.70
1 1/16	21217	21217Z	1 1/4	4 1/8	5 1/4	2 1/2	1 5/8	3/8	5/8	2 7/16	2	3 1/2	5/8	1/8	2.60
1 1/8	21218	21218Z													2.50
1 3/16	21219	21219Z													2.40
1 1/4	21220	21220Z													2.30
1 5/16	21221	21221Z	1 3/8	4 7/8	6 1/4	3	2	1/2	3/4	2 11/16	2 5/16	3 7/8	11/16	1/4	4.10
1 3/8	21222	21222Z													4.00
1 7/16	21223	21223Z													3.80
1 1/2	21224	21224Z	1 1/2	5 1/4	6 3/4	3 1/2	2 1/4	1/2	13/16	3	2 11/16	4 3/8	3/4	1/4	6.80
1 9/16	21225	21225Z													6.40
1 5/8	21226	21226Z													6.00
1 11/16	21227	21227Z													5.60
1 3/4	21228	21228Z	1 3/4	6	7 1/2	4	2 1/2	5/8	15/16	3 7/16	3	4 7/8	13/16	1/4	8.50
1 15/16	21231	21231Z													8.00
2	21232	21232Z													11.00
2 3/16	21235	21235Z	1 7/8	6 1/2	8 1/2	4 1/2	2 3/4	5/8	1	3 3/4	3 3/8	5 1/4	1	3/8	14.00
2 1/4	21236	21236Z													13.00
2 7/16	21239	21239Z	2 1/8	7	8 7/8	5	3	5/8	1 1/8	4 3/16	3 3/4	5 3/4	1	3/8	19.00
2 1/2	21240	21240Z													23.00
2 11/16	21243	21243Z	2 1/4	7 3/4	10	5 1/2	3 1/4	3/4	1 3/16	4 1/2	4	6 3/8	1 1/8	3/8	22.00
2 15/16	21247	21247Z													22.00
3	21248	21248Z	2 1/2	8 1/2	10 3/4	6	3 1/2	3/4	1 5/16	4 7/8	4 1/4	6 3/4	1 1/8	3/8	35.00
3 7/16	21255	21255Z													35.00
3 15/16	21263	21263Z	3 1/8	10 1/2	13 1/2	8	4 1/2	1	1 5/8	6 3/16	5 5/8	8 1/2	1 1/2	1/2	48.00

Additional Notes

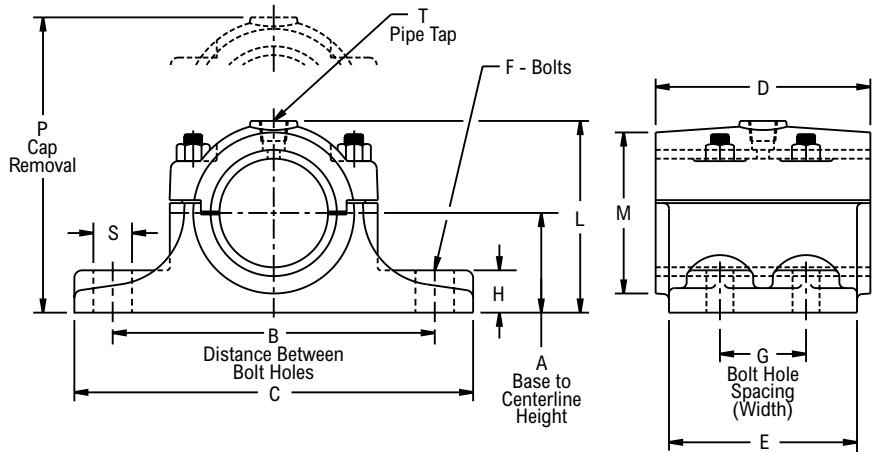
- Please call 1-866-REXNORD for availability
- One pipe tapped hole for lubrication
- Grease cup or fitting not included
- LHD sliding base take-up can be drilled for these pillow blocks
- For the Selection Guide, Load Ratings and Speed Limits, see the Link-Belt Sleeve Bearing Engineering section on pages 520 - 523.
- Note: Dimensions subject to change. Certified dimensions of ordered material furnished on request.



Photo Shows a 4-Bolt Rigid Sleeve Bearing Two-Piece Pillow Block Unit with Bronze Bushing

Product Features

- Corrosion-resistant powder coating
- Cast iron or cast steel housing
- Two-piece gibbed joint design
- Babbitt or Bronze sleeve
- 4-bolt base
- Relubricatable
- See Features and Benefits for additional info on page 518.



Bearing Dimensions

Shaft Diameter	Babbitt	Bronze	A Base to Centerline Height	B Distance Between Bolt Holes	G Bolt Hole Spacing (Width)	C	D	E	F	H	L	M	P	S	T	Approx. Weight
	Part Number	Part Number														
Cast Steel																
1 15/16	-	2K1431Z	1 3/4	6 1/2	1 3/4	8 1/4	4	3 1/2	1/2	7/8	3 7/16	3	4 1/2	3/4	1/4	11.00
2 3/16	-	2K1435Z	1 7/8	6 3/4	1 3/4	8 1/2	4 1/2	3 1/2	1/2	1	3 3/4	3 3/8	4 15/16	3/4	3/8	15.00
2 7/16	-	2K1439Z	2 1/8	8	2	10 1/4	5	4	5/8	1 1/8	4 3/16	3 3/4	5 3/8	1	3/8	21.00
2 11/16	-	2K1443Z	2 1/4	8 1/4	2 1/4	10 1/2	5 1/2	4 1/4	5/8	1 1/4	4 1/2	4	6	1	3/8	28.30
2 15/16	-	2K1447Z	2 1/2	8 3/4	2 1/2	11	6	4 1/2	5/8	1 3/8	4 7/8	4 1/4	6 7/8	1	3/8	34.00
3 7/16	-	2K1455Z	3 1/4	10 1/2	2 3/4	13	7	5	3/4	1 3/8	6 1/4	5 1/4	8 9/32	1 1/4	1/2	49.00
3 15/16	-	2K1463Z	3 1/2	12	3	14 3/4	8	5 1/2	3/4	1 1/2	6 13/16	5 7/8	9 13/16	1 3/8	1/2	69.00
4 7/16	-	2K1471Z	4 1/8	13 1/2	3 1/2	16 1/2	9	6 1/4	7/8	1 3/4	7 7/8	6 5/8	10 1/4	1 1/2	1/2	104.00
4 15/16	-	2K1479Z	4 1/2	15	4	18	10	7	7/8	1 7/8	8 9/16	7 1/4	11 3/16	1 5/8	1/2	134.00
5 7/16	-	2K1487Z	5	15 3/4	4 1/2	19 1/4	11	7 3/4	1	2	9 3/8	7 7/8	12 1/4	1 3/4	1/2	187.00
5 15/16	-	2K1495Z	5 1/2	16 1/2	5	20 1/2	12	8 1/2	1 1/8	2 1/8	10 1/4	8 1/2	13 7/8	1 7/8	1/2	213.00
6 1/2	-	2K14104Z	6	18	5 1/2	22	13	9 1/2	1 1/8	2 1/4	11	9 1/8	15 1/8	1 7/8	1/2	287.00
8	-	2K14128Z	7	21 1/2	6 3/4	26	16	11	1 3/8	2 1/2	13 5/16	11 3/8	17 7/8	2 1/4	1/2	478.00
9	-	2K14144Z	8	23	6	29	16	10 1/2	1 1/2	2 3/4	14 7/8	12 1/2	20 3/8	2 3/4	1/2	530.00
10	-	2K14160Z	9	25	6	31	16	10 1/2	1 3/4	3	16 7/8	14	22 7/8	3	1/2	650.00
12	-	2K14192Z	11	29	7 1/2	36	18	12 1/2	2	3 1/2	20	16	27	3 1/2	1/2	910.00

Additional Notes

- Please call 1-866-REXNORD for availability
- One pipe tapped hole (two holes for shafts larger than 5 in for lubrication)
- Grease cup or fitting not included
- LHD sliding base take-up can be drilled for these pillow blocks
- For the Selection Guide, Load Ratings and Speed Limits, see the Link-Belt Sleeve Bearing Engineering section on pages 520 - 523.
- Note: Dimensions subject to change. Certified dimensions of ordered material furnished on request.

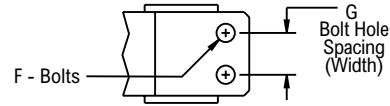
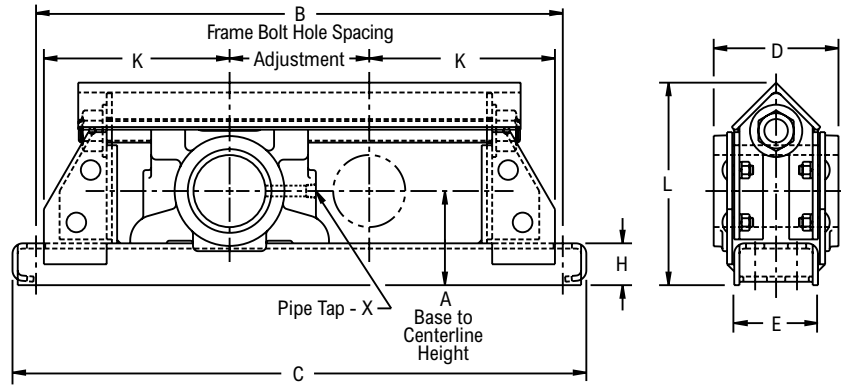
DSB2800



Photo Shows a Heavy Duty Removable Top Conveyor Take-up Frame with Rigid Sleeve Bearing Take-up Unit

Product Features

- Protected screw type frame
- Corrosion-resistant powder coating
- Cast iron housing
- Babbitt sleeve
- Relubricatable
- See Features and Benefits for additional info on page 518.



Bearing Dimensions

Shaft Diameter	Adjust.	Part Number	A Base to Centerline Height	B Frame Bolt Hole Spacing	G Bolt Hole Spacing (Width)	C	D	E	F	H	K	L	X	Radial Factor	Approx. Weight
1 15/16	12	DSB283112	3 1/4	26 1/2	-	29 1/2	4	3	5/8	1 3/4	7 3/4	7 1/4	1/4	1	39.00
	18	DSB283118		32 1/2		35 1/2									45.00
2 3/16	12	DSB283512	3 3/8	27 1/2	-	29 1/2	4	3	5/8	1 3/4	7 3/4	7 1/4	3/8	1	42.00
	18	DSB283518		33 1/2		35 1/2									48.00
2 7/16	12	DSB283912	3 1/2	28 1/2	-	30 1/2	5	3	3/4	1 3/4	8 1/4	7 1/2	3/8	1	49.00
	18	DSB283918		34 1/2		36 1/2									55.00
	24	DSB283924		40 1/2		42 1/2									60.00
2 15/16	12	DSB284712	4 1/8	30 1/2	2	32 1/2	6	4	5/8	2	9 1/4	8 3/4	3/8	1	72.00
	18	DSB284718		36 1/2		38 1/2									81.00
	24	DSB284724		42 1/2		44 1/2									89.00
3 7/16	12	DSB285512	4 1/2	32	2	34 1/4	7	4	3/4	2	10	9 11/16	1/2	1	94.00
	18	DSB285518		38		40 1/4									103.00
	24	DSB285524		44		46 1/4									111.00
3 15/16	12	DSB286312	5	36	2 1/2	38 1/2	8	5	3/4	2 1/4	12	10 15/16	1/2	1	138.00
	18	DSB286318		42		44 1/2									150.00
	24	DSB286324		48		50 1/2									160.00

Additional Notes

- Please call 1-866-REXNORD for availability
- One pipe tapped hole for lubrication
- Grease cup or fitting not included
- For replacement bearing unit, specify take-up number without amount of adjustment, i.e. DSB2831
- Take-ups with adjustment of 18 in (457.2 mm) or more have center supporting pad welded to bottom of frame
- For radial loads, multiply load rating by a factor of 1.0

For the Selection Guide, Load Ratings and Speed Limits, see the Link-Belt Sleeve Bearing Engineering section on pages 520 - 523.

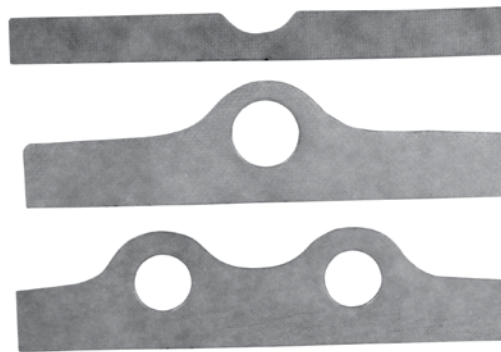
Note: Dimensions subject to change. Certified dimensions of ordered material furnished on request.

Rigid Sleeve Bearing Replacement Parts

Product Feature



Bushing



Shims

81200Z Part Numbers

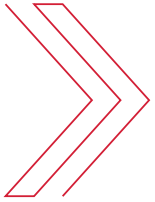
Shaft Diameter	Pillow Block	Replacement Bushing	Shims	
	Part Number	Part Number	Part Number	Quantity
7/8	21214Z	285BY24	131Y9541	2
15/16	21215Z	285BY25	131Y95421	2
1	21216Z	285BY26	131Y95421	2
1 1/16	21217Z	285BY215	131Y95424	2
1 1/8	21218Z	285BY27	131Y9542	2
1 3/16	21219Z	285BY28	131Y95422	2
1 1/4	21220Z	285BY29	131Y95422	2
1 3/8	21222Z	285BY210	131Y95423	4
1 7/16	21223Z	285BY211	131Y95423	4
1 1/2	21224Z	285BY212	131Y95423	4
1 9/16	21225Z	285BY213	131Y95424	4
1 5/8	21226Z	285BY214	131Y95424	4
1 11/16	21227Z	285BY215	131Y95424	4
1 3/4	21228Z	285BY216	131Y95424	4
1 15/16	21231Z	285BY217	131Y95425	4
2	21232Z	285BY218	131Y95425	4
2 3/16	21235Z	285BY219	131Y95426	4
2 1/4	21236Z	285BY220	131Y95426	4
2 7/16	21239Z	285BY222	131Y95427	4
2 1/2	21240Z	285BY224	131Y95427	4
2 11/16	21243Z	285BY225	131Y95428	4
2 15/16	21247Z	285BY229	131Y95429	4
3	21248Z	285BY230	131Y95429	4
3 7/16	21255Z	285BY232	131Y95430	4
3 15/16	21263Z	285BY236	131Y95431	4

2K1400Z Part Numbers

Shaft Diameter	Pillow Block	Replacement Bushing	Shims	
	Part Number	Part Number	Part Number	Quantity
1 15/16	2K1431Z	285BY31	131Y3661	4
2 3/16	2K1435Z	285BY33	131Y3663	4
2 7/16	2K1439Z	285BY37	131Y3665	4
2 11/16	2K1443Z	285BY39	131Y3667	4
2 15/16	2K1447Z	285BY313	131Y3669	4
3 7/16	2K1455Z	285BY317	131Y36611	6
3 15/16	2K1463Z	285BY319	131Y36613	6
4 7/16	2K1471Z	285BY322	131Y36615	8
4 15/16	2K1479Z	285BY326	131Y36617	8
5 7/16	2K1487Z	285BY329	131Y36618	12
5 15/16	2K1495Z	285BY331	131Y36621	12
6 7/16	2K14103Z	285BY333	131Y36622	12
6 1/2	2K14104Z	285BY334	131Y36622	12
7	2K14112Z	285BY335	131Y36625	12
7 1/2	2K14120Z	285BY336	131Y36628	12
8	2K14128Z	285BY337	131Y36630	12
9	2K14144Z	285BY338	131Y36620	2
10	2K14160Z	285BY340	131Y36624	2
12	2K14192Z	285BY341	131Y36626	2

Additional Notes

Replacement bronze bearings are pre-split with lube groove. Provision should be made to lock each bearing segment to the base and cap. Replacement bronze bearings and shims must be ordered as individual items.



SLEEVE BEARINGS

Flex Block: Link-Belt

CONTENTS

PAGE

Features and Benefits	530
Nomenclature	531
Engineering	532
Dimensions	
Pillow Blocks	535
Flange Blocks	536

INDUSTRIES SERVED

Commercial Furnaces
Heat Treatment
Wastewater Management
Dams
Air Handling



3200 Series Flex-block Sleeve Bearing Units

Flex-block Sleeve Bearings are alignable and self-lubricating. Because the bearing material wears gradually under operation, sudden breakdowns and costly maintenance are minimized. The standard bearing insert materials of oil impregnated porous sintered bronze, or self-lubricating graphite are widely used for the extreme applications of modern industry.



1. One-piece Housing

Sturdy one-piece housings, with machined mounting surfaces, are available as pillow blocks or flanged units.

2. Machined Surface

Component has machined spherical surface for proper seating in housing and for initial mounting alignment.

3. Self-Lubricating or Oil Impregnated

Bearing sleeve, pressed into component, is available in self-lubricating or oil impregnated material.

4. Extend Unit Life

When the component retaining screw is loosened, the insert can be rotated 180° to utilize unused bearing surface and extend the life of the unit.

Bearings Components

Heart of the flex-block bearing is the alignable insert into which is pressed a self-lubricating bearing. The component has a machined spherical surface that is alignable in the housing.

Two types of bearings are available:

1. Sintered bronze sleeve, oil impregnated, for operating temperatures to 200°F (93°C).
2. Self-lubricating carbon-graphite sleeve, for temperatures to 700°F (371°C).

One-piece Cast Iron Housings

Compact one-piece cast iron housings provide strength and superior rigidity. All units are designed with standard mounting dimensions and have finished mounting surfaces for proper installation stability. Pillow blocks have slotted bolt holes with ample space provided for drilling dowel pin holes. Flanged units have drilled mounting holes.

Pillow Blocks

3200P

Alignable pillow blocks have a high-test iron housing, 2-bolt base, and self-lubricating bearing. For shaft sizes 5/8" through 3 15/16".



Flanged Units - 2-bolt

3200FX

Alignable flanged units have 2-bolt cast iron housing and self-lubricating bearing. For shaft sizes 5/8" through 1 3/4".



Flanged Units - 4-bolt

3200F

Alignable flanged units have 4-bolt cast iron housing and self-lubricating bearing. For shaft sizes 5/8" through 3 7/16".



Nomenclature

Symbol	Description	32	16	F	T1	S	C
32	Standard duty series						
16	Shaft diameter in 16ths of an inch						
F	Flanged unit, 4-bolt						
FX	Flanged unit, 2-bolt						
P	Pillow block						
T1	Porous sintered bronze, oil impregnated, 200°F max.						
T3	Self-lubricating carbon graphite, 700°F max.						
T4	Plain bore (cast iron), 1000°F max.						
None	Standard length						
S	Short sleeve, (F, FX units)						
C	Closed end unit						

The nomenclature shown is provided to identify the basic and optional features of bearing and mounted unit assemblies. The most commonly specified variations are listed; however, availability of all variations cannot be assumed. Link-Belt Bearing Division, Rexnord Corporation should be consulted regarding optional features, availability, and the application requirements.

Flex-block Sleeve Bearing Selection Guide

To select a flex-block sleeve bearing, determine the applied radial load and the applicable operating conditions. The procedure shown here will aid in selecting an appropriate bearing.

The bearing ratings apply when certain installation and operating conditions are met and when any other adverse ambient conditions such as high or low temperatures, extreme dirt or moisture, chemical contamination, shock or vibration loading direct or induced, oscillating shafts, intermittent operation and related factors are carefully considered.

The ratings used apply when the following conditions are met:

1. Normal running loads should not exceed the ratings shown in the tables. Starting and occasional peak loads should not exceed these ratings by more than 100%.

2. The shaft finish through the bearing bore should be at least as smooth as commercial steel shafting which varies from 8 to 50 micro-inches ($0.2\ \mu\text{m}$ to $1.3\ \mu\text{m}$). There also should be no machined or ground spiral lead on the shaft journal. For improved bearing performance the shaft finish should not exceed 12 micro-inches ($0.3\ \mu\text{m}$). Shafting should also be within the diameter tolerances.
3. Ambient temperatures should not be lower than 32°F (0°C) for T1 bearing material. The upper operating temperature limits are as follows: T1—200°F (93°C) T3—700°F (371°C)
4. Sturdy, vibration free supporting structures should be provided.
5. Flex-block units should not be exposed to severe dirt conditions.

Steps for Selection

Step 1

Determine the maximum operating temperature of the application.

Step 2

From Table 1, select the bearing insert material.

Step 3

Refer to the radial load rating tables to determine the shaft diameter necessary to obtain the required radial load rating at the given speed. Where short bearings are required, multiply the radial load by the short bearing factor before selecting the bearing.

Step 4

To position a shaft axially or where light thrust loads are present, provide flat washers of the desired material backed by a shaft collar or a machined shaft shoulder against the end of the bearing. The bearing ends are already machined.

Table 1 – Bearing insert material selection

Bearing Insert Suffix	Bearing material	Type of Lubrication	Type of Unit	Available Bore size
T1	Oil impregnated porous sintered bronze	Oil	P	5/8" – 3 15/16"
			FX	5/8" – 1 3/4"
			F	5/8" – 3 7/16"
T3	Machined carbon-graphite	Self-lubricating	P	5/8" – 3 15/16"
			FX	5/8" – 1 3/4"
			F	5/8" – 3 7/16"

Bearing Insert Suffix	Minimum Temperature Limit	Maximum Temperature Limit	Comments
T1	32°F (0°C)	200°F (93°C)	
T3	...	700°F (371°C)	material somewhat brittle—handle with care—no significant shock loads

Additional Information

Flex-block Bearing Materials:

Sleeve bearing inserts made of T1 oil impregnated porous sintered bronze are universally accepted as providing reasonable capacity and dependable service. When lubricant is present damage to shafts or rotors is minimized. Additional SAE 40 oil can be periodically added to extend the bearing life. The T1 bearing operating temperature should not exceed 200°F (93°C). Applications are restricted to those involving light to moderate loads and mild shock. Caution: Do not use stainless steel shaft.

T3 machined carbon graphite bearings are self-lubricating with material worn from the bearing. T3 bearing inserts are limited to a maximum operating temperature of 700°F (371°C). The radial load applied, the shaft surface finish and the speed of operation determine the wear life of the bearing. As machined carbon graphite is somewhat brittle, care should be taken during handling and mounting to avoid chipping the corners, etc.

Additional Features:

By the very nature of their design all flex-block sleeve bearing units are expansion type, in that the shaft journal is free to move axially through the bore of the bearing. To fix a unit, a combination of shaft shoulders and/or thrust collars with flat washers of the desired material can be utilized.

Flex-block pillow blocks have cored mounting bolt holes suitable for the inch or metric bolts listed. Flanged units have drilled mounting holes 1/32" (0.8 mm) larger than the largest inch bolt shown.

Bearings are not replaceable in the components. Replacement components can be ordered but generally the entire unit is replaced when required.

2 and 4-bolt flanged units can be supplied with regular or short bearings.

The short bearing inserts do not project beyond the housing mounting face. When the short bearing is selected, the applied radial load must be multiplied by the short bearing factor before selecting the bearing size.

End closures can be furnished but they require specially machined housings. When end closures are used, shafts should extend no more than 1/8" (3.2 mm) beyond the end of the bearing.

Operation:

Flex-block sleeve bearing units are self-lubricating and ready for operation. Being alignable, they are also easy to mount and careful shaft alignment is not required. However shaft journals must turn freely without binding in the bearing or excessive heat and seizure can result. Any factors which may disrupt or remove the lubricant film should be eliminated. Sharp edges on the shaft or the bearing surface can act as scrapers to destroy lubricant film. Do not extend shaft keyways into bearing bores.

Take-ups:

Flex-block pillow blocks can be mounted on universal take-up frames LC.

Shaft Tolerances:

Shaft diameters for flex-block sleeve bearing units are usually held to the following regular commercial tolerances:

Shaft Diameters Recommended Tolerance

5/8" through 2"	Nominal to $-.003$ "
2 1/2" through 4"	Nominal to $-.004$ "

Caution: Do not use stainless steel shaft, if bearing insert T1 is used.

Commercial shaft finish if free of nicks, burrs, scratches, etc. is generally satisfactory. Improved surface finish of 12 micro-inches ($0.3\ \mu\text{m}$) or less will extend wear life.

Warning

The reliability built in all Rexnord bearings can be realized in service only when bearings are correctly selected, properly installed, protected and maintained.

The correct selection of flex-block sleeve bearing mounted units requires that the magnitude and nature of all loads, speeds, alignment, mounting, operating requirements and maintenance be adequately considered. The selection of materials for and design of shafting, fasteners, seals and accessories as well as provisions for installation and maintenance must follow good engineering principles.

Housings should not be used under tension loads except with adequate safety factors. For this reason pillow blocks are best suited to withstand radial loads passing through the base. When heavy loads or shock loads are possible it is most important to mount a unit so that the line of force passes directly into the mounting surface, or so that the unit is directly and substantially supported other than through its mounting bolts. Where the line of force falls outside the mounting surface, serious housing and fastener deflection or failure may occur. Rexnord Bearing Division should be consulted where unusual loading conditions exist.

Radial Load Ratings for 10 to 300 RPM (pounds/newtons)*

Shaft Diameter Inches	Basic Bearing Number	Type Bearing Material	Shaft Speed RPM												Short Bearing Factor				
			10 to 25		50		75		100		150		200			300			
5/8	3210	T1 T3	586	2607	586	2607	586	2607	586	2607	476	2117	357	1588	238	1059	...		
11/16	3211		296	1317	296	1317	296	1317	296	1317	240	1068	180	801	120	534			
3/4	3212	T1 T3	940	4181	940	4181	940	4181	940	4181	638	2838	479	2131	318	1415	1.25		
			470	2091	470	2091	470	2091	470	2091	318	1415	240	1068	159	707			
7/8	3214	T1 T3	985	4381	985	4381	985	4381	860	3825	572	2544	430	1913	286	1272	...		
15/16	3215		493	2193	493	2193	493	2193	430	1913	287	1277	215	956	144	641			
1	3216																		
1 1/8	3218	T1 T3	1545	6870	1545	6870	1400	6230	1050	4670	701	3118	527	2344	350	1557	1.22		
1 3/16	3219		773	3438	773	3438	700	3114	526	2340	350	1557	262	1165	175	778			
1 1/4	3220	T1 T3	2110	9390	985	4381	1720	7650	1295	5760	862	3834	650	2891	433	1926	1.42		
1 15/16	3221		1055	4690	493	2193	860	3825	646	2874	430	1913	323	1437	215	956			
1 3/8	3222																		
1 7/16	3223																		
1 1/2	3224	T1 T3	3190	14900	3190	14190	2160	9610	1630	7250	1090	4850	815	3625	545	2424	1.54		
			1595	7100	1595	7100	1080	4800	812	3612	543	2415	406	1806	272	1210			
1 5/8	3226	T1 T3	3450	15350	3240	14410	2160	9610	1620	7210	1090	4850	815	3625	545	2424	1.41		
1 11/16	3227		1725	7670	1620	7210	1080	4800	812	3612	543	2415	406	1806	272	1210			
1 3/4	3228																		
1 15/16	3231	T1 T3	4360	19390	3440	15300	2340	10410	1720	7650	1150	5120	860	3825	575	2558	1.39		
			2180	9700	1720	7650	1170	5200	860	3825	575	2558	430	1913	288	1281			
2	3232	T1 T3	4750	21130	3620	16100	2420	10760	1810	8050	1210	5380	910	4048	608	2705	1.47		
2 1/8	3234		2375	10560	1810	8050	1210	5380	908	4039	606	2696	454	2019	303	1348			
2 3/16	3235																		
2 1/4	3236	T1 T3	6050	26910	4110	18280	2750	12200	2050	9120	1370	6090	1030	4580	687	3056	1.45		
2 7/16	3239		3025	13460	2052	9130	1375	6120	1026	4560	686	3051	513	2282	343	1526			
2 1/2	3240	T1 T3	7500	33360	4590	20420	3050	13570	2290	10190	1530	6810	1145	5090	765	3403	1.51		
2 11/16	3243		3750	16680	2290	10190	1530	6810	1145	5090	764	3398	573	2549	382	1699			
2 3/4	3244	T1 T3	9120	40570	5070	22550	3380	15030	2530	11250	1685	7500	1265	5630	844	3754	1.61		
2 15/16	3247		4560	20280	2532	11260	1690	7510	1266	5630	845	3759	633	2816	423	1882			
3 7/16	3255	T1 T3	11500	51150	5720	25440	3820	16990	2880	12810	1925	8560	1440	6410	965	4293	1.31		
			5710	25410	2860	12720	1910	8500	1440	6410	963	4284	720	3203	483	2148			
3 15/16	3263	T1 T3	15000	66720	7500	33360	5000	22240	3730	16590	2500	11120	1870	8320	1248	5550	...		
			7520	33450	3750	16680	2500	11120	1865	8300	1250	5560	935	4159	625	2780			

* For speeds slower than 10 RPM or for oscillating shafts, consult Rexnord Bearing Division

Radial Load Ratings for 400 to 2500 RPM (pounds/newtons)*

Shaft Diameter Inches	Basic Bearing Number	Type Bearing Material	Shaft Speed RPM												Short Bearing Factor		
			400		500		750		1000		1500		2000			2500	
5/8	3210	{T1	180	801	144	641	96	427	71	316	48	214	36	160	29	129	
11/16	3211	{T3	90	400	72	320	48	214	36	160	24	107	24	80	15	67	...
3/4	3212	{T1	238	1059	191	850	128	569	96	427	64	285	48	214	38	169	
		{T3	120	534	92	409	63	280	48	214	32	142	24	107	19	84	1.25
7/8	3214	{T1	215	956	175	778	114	507	86	383	57	254	43	191	34	151	
15/16	3215	{T3	108	480	86	383	57	254	43	191	29	129	22	98
1	3216																
1 1/8	3218	{T1	263	1170	211	939	140	623	105	467	70	311	53	236	42	187	
1 3/16	3219	{T3	131	583	105	467	70	311	53	236	35	156	1.22
1 1/4	3220	{T1	322	1432	258	1148	172	765	130	578	86	383	65	289	52	231	
1 15/16	3221	{T3	162	721	130	578	86	383	65	289	43	191	1.42
1 3/8	3222																
1 7/16	3223																
1 1/2	3224	{T1	408	1815	325	1446	216	961	163	725	109	485	82	365	65	289	
		{T3	203	903	162	721	109	485	81	360	1.54
1 5/8	3226	{T1	408	1815	325	1446	216	961	162	725	109	485	82	365			
1 11/16	3227	{T3	203	903	162	721	109	485	81	360			1.42
1 3/4	3228																
1 15/16	3231	{T1	431	1917	344	1530	234	1041	172	765	115	512					
		{T3	215	956	172	765	115	512					1.39
2	3232	{T1	455	2024	363	1615	242	1076	181	805	125	556					
2 1/8	3234	{T3	227	1010	182	810	121	538					1.47
2 3/16	3235																
2 1/4	3236	{T1	515	2291	413	1837	275	1223	205	912	137	609					
2 7/16	3239	{T3	257	1143	205	912	137	609					1.45
2 1/2	3240	{T1	574	2553	460	2046	305	1357	229	1019							
2 11/16	3243	{T3	287	1277	229	1019	153	681							1.51
2 3/4	3244	{T1	635	2825	507	2255	338	1503	253	1125							
2 15/16	3247	{T3	317	1410	253	1125							1.61
3 7/16	3255	{T1	725	3225	580	2580	382	1699	290	1390							
		{T3	363	1615	290	1290							1.31
3 15/16	3263	{T1	936	4164	750	3336	500	2224									
		{T3	468	2082

* Load ratings are based on industry standards established by the Mechanical Power Transmission Association.

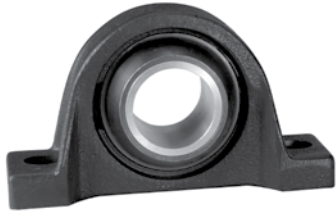
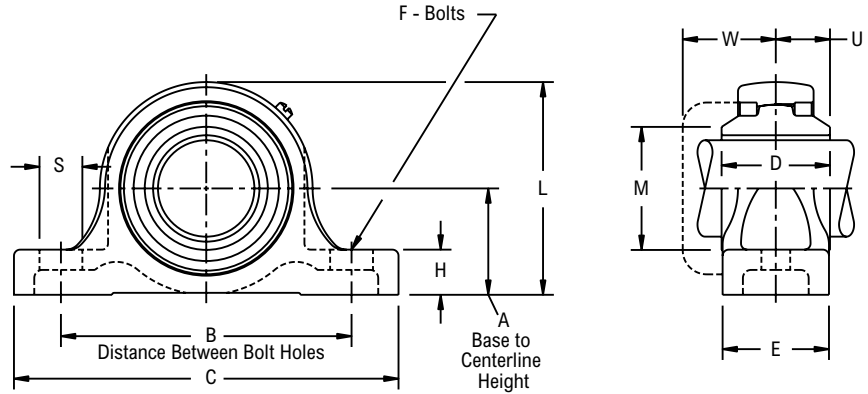


Photo Shows a 2-Bolt Flex Block Sleeve Bearing Pillow Block Unit with Bronze Bushing

Product Features

- Corrosion-resistant powder coating
- Cast iron housing
- T1 sintered bronze sleeve
- T3 carbon graphite sleeve
- 2-bolt base
- Alignable
- See Features and Benefits for additional info on page 530.



Bearing Dimensions

Shaft Diameter	Carbon Graphite Self-Lubricating	Porous Sintered Bronze Oil Impregnated	A Base to Centerline Height	B Distance Between Bolt Holes	C	D	E	F	H	L	M	S	U	W	Approx. Weight
	Part Number	Part Number													
5/8	3210PT3	3210PT1	1 3/16	3 1/2	4 5/8	15/16	1 1/2	3/8	1/2	2 11/32	1 1/8	3/4	15/32	1 13/64	1.30
11/16	3211PT3	3211PT1													1.20
3/4	3212PT3	3212PT1	1 5/16	3 7/8	5 1/8	1 1/4	1 1/2	3/8	1/2	2 19/32	1 3/16	11/16	5/8	1 19/64	1.80
7/8	3214PT3	3214PT1													2.10
15/16	3215PT3	3215PT1	1 7/16	4	5 3/8	1 1/8	1 5/8	3/8	9/16	2 7/8	1 9/16	11/16	9/16	1 9/32	2.00
1	3216PT3	3216PT1													1.90
1 1/8	3218PT3	3218PT1	1 11/16	4 5/8	6 3/16	1 3/8	1 3/4	1/2	11/16	3 5/16	1 7/8	15/16	11/16	1 29/64	2.80
1 3/16	3219PT3	3219PT1													2.70
1 1/4	3220PT3	3220PT1	1 7/8	4 15/16	6 3/8	1 11/16	1 7/8	1/2	13/16	3 11/16	2 1/8	13/16	27/32	1 35/64	4.50
1 5/16	3221PT3	3221PT1													4.40
1 3/8	3222PT3	3222PT1	2	5 3/8	7 1/16	2 1/8	1 7/8	1/2	13/16	4	2 1/8	15/16	1 1/16	1 41/64	4.30
1 7/16	3223PT3	3223PT1													4.10
1 1/2	3224PT3	3224PT1	2 1/8	5 5/8	7 1/4	2 1/8	2	1/2	13/16	4 5/16	2 7/16	7/8	1 1/16	1 21/32	5.30
1 5/8	3226PT3	3226PT1													6.40
1 11/16	3227PT3	3227PT1	2 1/4	6 3/16	7 7/8	2 1/4	2 1/8	5/8	7/8	4 1/2	2 9/16	15/16	1 1/8	1 25/32	6.30
1 3/4	3228PT3	3228PT1													6.10
1 15/16	3231PT3	3231PT1	2 1/2	6 3/4	9 1/16	2 3/8	2 3/8	5/8	1	5	2 7/8	1 5/16	1 3/16	2 1/64	7.20
2	3232PT3	3232PT1													9.20
2 1/8	3234PT3	3234PT1	2 11/16	7 1/2	9 1/2	2 11/16	2 1/2	5/8	1 1/8	5 7/16	3 1/4	1 1/16	1 11/32	2 7/64	9.00
2 3/16	3235PT3	3235PT1													8.80
2 1/4	3236PT3	3236PT1	3	8 1/8	10 1/2	3	2 7/8	3/4	1 5/16	6	3 9/16	1 3/16	1 1/2	2 1/16	13.40
2 7/16	3239PT3	3239PT1													13.20
2 1/2	3240PT3	3240PT1	3 1/4	8 7/8	11 3/4	3 5/16	3 1/4	3/4	1 3/8	6 1/2	3 3/4	1 5/16	1 21/32	2 7/32	17.10
2 11/16	3243PT3	3243PT1													16.50
2 3/4	3244PT3	3244PT1	3 3/4	10	13	3 3/4	3 1/2	7/8	1 5/8	7 7/8	4 7/16	1 5/8	1 7/8	2 1/2	22.50
2 15/16	3247PT3	3247PT1													21.90
3 7/16	3255PT3	3255PT1	4 7/16	11 7/8	15 1/4	4 15/16	4 3/8	7/8	1 13/16	8 15/16	4 7/8	1 7/8	2 15/32	3 1/64	32.50
3 15/16	3263PT3	3263PT1													59.70

Additional Notes

- Please call 1-866-REXNORD for availability
- For replacement insert number, omit housing suffix designation, i.e. 3210T1
- For the Selection Guide, Load Ratings and Speed Limits, see the Link-Belt Flex-block Bearing Engineering section on pages 532 - 534.
- Note: Dimensions subject to change. Certified dimensions of ordered material furnished on request.

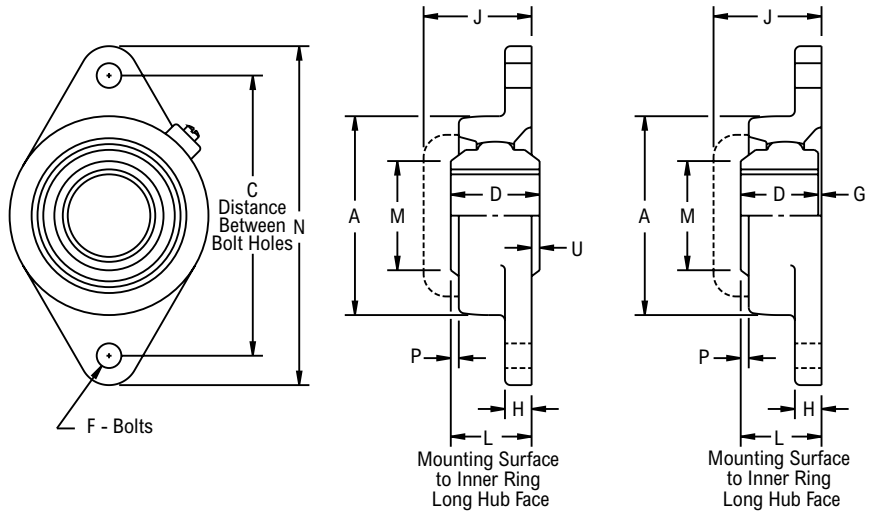
3200FX



Photo Shows a 2-Bolt Flex Block Sleeve Bearing Flanged Unit with Graphite Bushing

Product Features

- Corrosion-resistant powder coating
- Cast iron housing
- T1 sintered bronze sleeve
- T3 carbon graphite sleeve
- 2-bolt mounting
- Alignable
- See Features and Benefits for additional info on page 530.



Bearing Dimensions

Shaft Diameter	Carb on Graphite Self-Lubricating	Porous Sintered Bronze Oil Impregnated	C Distance Between Bolt Holes	L Mounting Surface to Inner Ring Long Hub Face	A	D Reg	D Short	F	G	H	J	M	N	P	U	Approx. Weight
	Part Number	Part Number														
5/8	3210FXT3	3210FXT1	3	1 7/64	2 1/8	15/16	-	3/8	17/64	1/2	1 25/32	1 1/8	3 7/8	7/64	-	1.00
11/16	3211FXT3	3211FXT1														0.90
3/4	3212FXT3	3212FXT1	3 17/32	1 23/64	2 7/16	1 1/4	1 1/8	3/8	1/4	9/16	2 1/64	1 3/16	4 13/32	5/32	-	1.20
7/8	3214FXT3	3214FXT1														1.70
15/16	3215FXT3	3215FXT1	3 57/64	1 5/16	2 11/16	1 1/8	-	7/16	3/16	19/32	2	1 9/16	4 29/32	1/16	-	1.60
1	3216FXT3	3216FXT1														1.50
1 1/8	3218FXT3	3218FXT1	4 19/32	1 15/32	3 3/16	1 3/8	1 1/4	7/16	7/32	19/32	2 15/64	1 7/8	5 19/32	5/32	-	2.50
1 3/16	3219FXT3	3219FXT1														2.30
1 1/4	3220FXT3	3220FXT1	5 1/8	1 21/32	3 5/8	1 11/16	1 1/2	1/2	5/32	5/8	2 23/64	2 1/8	6 1/8	1/4	1/32	3.70
1 5/16	3221FXT3	3221FXT1														3.60
1 3/8	3222FXT3	3222FXT1	5 21/32	1 31/32	4	2 1/8	1 3/4	1/2	5/32	5/8	2 35/64	2 1/8	6 25/32	25/64	5/32	3.50
1 7/16	3223FXT3	3223FXT1														3.30
1 1/2	3224FXT3	3224FXT1	5 27/32	1 31/32	4 1/4	2 1/8	1 13/16	1/2	5/32	5/8	2 9/16	2 7/16	7 3/32	3/8	5/32	4.90
1 5/8	3226FXT3	3226FXT1														6.20
1 11/16	3227FXT3	3227FXT1	5 27/32	1 31/32	4 1/4	2 1/8	1 13/16	1/2	5/32	5/8	2 9/16	2 7/16	7 3/32	3/8	5/32	6.00
1 3/4	3228FXT3	3228FXT1														5.90

Additional Notes

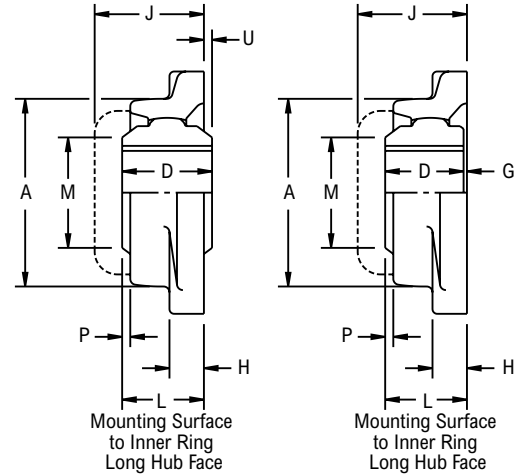
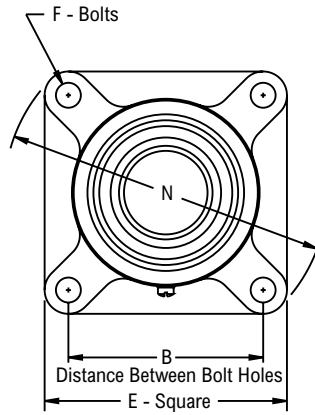
- Please call 1-866-REXNORD for availability
- For replacement insert number, omit housing suffix designation, i.e. 3210T1
- For short sleeves, add suffix "S", i.e. 3220FXT1S
- For the Selection Guide, Load Ratings and Speed Limits, see the Link-Belt Flex-block Bearing Engineering section on pages 532 - 534.
- Note: Dimensions subject to change. Certified dimensions of ordered material furnished on request.



Photo Shows a 4-Bolt Flex Block Sleeve Bearing Flanged Unit with Graphite Bushing

Product Features

- Corrosion-resistant powder coating
- Cast iron housing
- T1 sintered bronze sleeve
- T3 carbon graphite sleeve
- 4-bolt mounting
- Alignable
- See Features and Benefits for additional info on page 530.



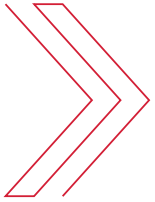
Bearing Dimensions

Shaft Diameter	Carbon Graphite Self-Lubricating	Porous Sintered Bronze Oil Impregnated	B Distance Between Bolt Holes	L Mounting Surface to Inner Ring Long Hub Face	A	D Reg	D Short	E	F	G	H	J	M	N	P	U	Approx. Weight
	Part Number	Part Number															
5/8	3210FT3	3210FT1	2 1/8	1 7/64	2 1/8	15/16	-	3	3/8	17/64	1/2	1 25/32	1 1/8	3 7/8	7/64	-	1.20
11/16	3211FT3	3211FT1															1.10
3/4	3212FT3	3212FT1	2 1/2	1 23/64	2 7/16	1 1/4	1 1/8	3 3/8	3/8	1/4	9/16	2 1/64	1 3/16	4 13/32	5/32	-	1.50
7/8	3214FT3	3214FT1															2.10
15/16	3215FT3	3215FT1	2 3/4	1 5/16	2 11/16	1 1/8	-	3 3/4	7/16	3/16	19/32	2	1 9/16	4 29/32	1/16	-	2.00
1	3216FT3	3216FT1															1.90
1 1/8	3218FT3	3218FT1	3 1/4	1 15/32	3 3/16	1 3/8	1 1/4	4 1/4	7/16	7/32	19/32	2 15/64	1 7/8	5 19/32	5/32	-	3.20
1 3/16	3219FT3	3219FT1															2.90
1 1/4	3220FT3	3220FT1	3 5/8	1 21/32	3 5/8	1 11/16	1 1/2	4 5/8	1/2	5/32	5/8	2 23/64	2 1/8	6 1/8	1/4	1/32	4.50
1 5/16	3221FT3	3221FT1															4.40
1 3/8	3222FT3	3222FT1															4.30
1 7/16	3223FT3	3223FT1															4.10
1 1/2	3224FT3	3224FT1															4
1 5/8	3226FT3	3226FT1	4 1/8	1 31/32	4 1/4	2 1/8	1 13/16	5 3/8	1/2	5/32	5/8	2 9/16	2 7/16	7 3/32	3/8	5/32	7.10
1 11/16	3227FT3	3227FT1															6.80
1 3/4	3228FT3	3228FT1															6.70
1 15/16	3231FT3	3231FT1	4 3/8	2 5/32	4 1/2	2 1/4	1 15/16	5 5/8	1/2	7/32	3/4	2 13/16	2 9/16	7 7/16	27/64	3/32	7.80
2	3232FT3	3232FT1															10.00
2 1/8	3234FT3	3234FT1	5 1/8	2 11/32	4 15/16	2 3/8	2	6 3/8	5/8	11/32	29/32	3 11/64	2 7/8	8 1/2	13/32	1/32	9.80
2 3/16	3235FT3	3235FT1															9.50
2 1/4	3236FT3	3236FT1	5 5/8	2 5/8	5 3/8	2 11/16	2 1/4	6 7/8	5/8	3/8	15/16	3 25/64	3 1/4	9 7/32	27/64	1/16	12.80
2 7/16	3239FT3	3239FT1															12.60
2 1/2	3240FT3	3240FT1															5 7/8
2 11/16	3243FT3	3243FT1	15.90														
2 3/4	3244FT3	3244FT1	6	2 13/16	6 3/8	3 5/16	2 11/16	7 3/4	3/4	1/8	3/4	3 3/8	3 3/4	10 1/4	17/32	1/2	
2 15/16	3247FT3	3247FT1															19.80
3 7/16	3255FT3	3255FT1															6 3/4

Additional Notes

- Please call 1-866-REXNORD for availability
- For replacement insert number, omit housing suffix designation, i.e. 3210T1
- For short sleeves, add suffix "S", i.e. 3220FT1S
- For the Selection Guide, Load Ratings and Speed Limits, see the Link-Belt Flex-block Bearing Engineering section on pages 532 - 534.
- Note: Dimensions subject to change. Certified dimensions of ordered material furnished on request.

Lined writing area with horizontal lines.



ENGINEERING INFORMATION

CONTENTS

PAGE

Vibration Information	540
Shaft Size Tolerance	542
Setscrew Torque	543
Bearing Selection	545

Vibration Analysis and Defect Frequency Information

Vibration analysis equipment is used to chart the amplitude and frequency of vibration on key areas of a machine. The theory behind predictive maintenance programs is to predict failures in order to reduce downtime costs. This way parts can be ordered and replaced on scheduled downtime without interrupting production.

Note: Vibration analysis is only effective as a trend analysis tool. It must be part of a thoroughly planned program that establishes "norms" for each individual

piece of equipment. Significant variations from these norms may then point to a problem. The problems must then be sized accordingly; does something need to be replaced, does it just need to be greased or adjusted? The "norms" must be well established in order to recognize an abnormal condition.

The following tables show the Vibration Frequency Coefficients.

Rex Roller Bearing Vibration Frequency Coefficients

Size Code	Roller Diameter (in)	Number of Rollers/Row	Pitch Diameter (in)	Contact Angle (deg)	RSF Roller Spin	FTF Fundamental Train	RPFI Inner Ring Defect	RPFO Outer Ring Defect	RDF Roller Defect
2	0.347	13	1.754	18.833	0.0406	0.0068	0.1286	0.0880	0.0812
3	0.378	13	1.987	17.767	0.0424	0.0068	0.1280	0.0887	0.0847
4	0.354	15	2.173	16.317	0.0499	0.0070	0.1445	0.1055	0.0998
5	0.445	14	2.559	16.633	0.0466	0.0069	0.1361	0.0972	0.0932
6	0.408	17	2.796	14.983	0.0559	0.0072	0.1617	0.1217	0.1118
7	0.424	19	3.135	15.000	0.0606	0.0072	0.1790	0.1377	0.1211
8	0.467	19	3.459	14.050	0.0607	0.0072	0.1791	0.1376	0.1214
9	0.559	18	4.035	14.117	0.0591	0.0072	0.1701	0.1299	0.1182
10	0.615	19	4.711	14.300	0.0628	0.0073	0.1784	0.1383	0.1255
11	0.822	18	5.519	13.467	0.0548	0.0071	0.1717	0.1283	0.1095
12	0.874	20	6.077	12.583	0.0568	0.0072	0.1901	0.1433	0.1136
13	1.114	18	7.048	13.950	0.0515	0.0071	0.1730	0.1270	0.1030
14	1.386	16	8.113	14.167	0.0475	0.0070	0.1554	0.1113	0.0951
15	1.414	17	8.843	13.133	0.0509	0.0070	0.1637	0.1196	0.1017
16	1.535	18	9.823	12.250	0.0521	0.0071	0.1729	0.1271	0.1042

* There are two rows per bearing

* Table coefficient values multiplied by speed = hertz (cps) or HZ value X 60 = cycles per minute (cpm) frequency value

Link-Belt Roller Bearing Vibration Frequency Coefficients

Size Code	Roller Diameter (in)	Number of Rollers/Row	Pitch Diameter (in)	Contact Angle (deg)	RSF Roller Spin	FTF Fundamental Train	RPFI Inner Ring Defect	RPFO Outer Ring Defect	RDF Roller Defect
B416	0.347	13	1.753	18.833	0.0406	0.0068	0.1286	0.0880	0.0812
B420	0.378	13	1.986	17.767	0.0424	0.0068	0.1280	0.0887	0.0847
B424	0.354	15	2.172	16.317	0.0499	0.0070	0.1445	0.1055	0.0998
B524									
B624									
B428	0.445	14	2.558	16.633	0.0466	0.0069	0.1361	0.0972	0.0932
B528									
B432	0.408	17	2.794	14.983	0.0559	0.0072	0.1617	0.1217	0.1118
B531									
B631									
B436	0.424	19	3.134	15.000	0.0606	0.0072	0.1790	0.1377	0.1211
B536									
B635									
B440	0.467	19	3.457	14.050	0.0607	0.0072	0.1791	0.1376	0.1214
B540									
B639									
B448	0.559	18	4.034	14.117	0.0591	0.0072	0.1701	0.1299	0.1182
B548									
B647									
B456	0.615	19	4.709	14.300	0.0628	0.0071	0.1784	0.1383	0.1255
B556									
B655									
B464	0.822	18	5.517	13.467	0.0548	0.0070	0.1717	0.1283	0.1095
B564									
B663									
B572	0.874	20	6.077	12.583	0.0568	0.0072	0.1901	0.1433	0.1136
B671									
B580	1.114	18	7.047	13.950	0.0515	0.0071	0.1730	0.1270	0.1030
B679									

* There are two rows per bearing

* Table coefficient values multiplied by speed = hertz (cps) or HZ value X 60 = cycles per minute (cpm) frequency value

Link-Belt Heavy Duty Ball Bearing Vibration Frequency Coefficients

Size Code	Ball Diameter (in)	Number of Balls	Pitch Diameter (in)	BSF Ball Spin	FTF Fundamental Train	BPFI Inner Ring Defect	BPFO Outer Ring Defect	BDF Ball Defect
312	0.3750	7	1.4173	0.0293	0.0062	0.0738	0.0428	0.0585
316	0.4375	7	1.7126	0.0305	0.0062	0.0732	0.0435	0.0610
319	0.4874	8	2.0079	0.0325	0.0063	0.0827	0.0507	0.0650
323	0.5313	8	2.2638	0.0335	0.0063	0.0823	0.0510	0.0672
324	0.5938	8	2.5591	0.0340	0.0063	0.0822	0.0512	0.0680
328	0.6875	8	2.8543	0.0327	0.0063	0.0827	0.0507	0.0652
331	0.7500	8	3.1496	0.0330	0.0063	0.0825	0.0508	0.0660
335	0.8125	8	3.4440	0.0333	0.0063	0.0823	0.0510	0.0667
339	0.8750	8	3.7402	0.0337	0.0063	0.0823	0.0510	0.0673
344	1.0000	8	4.3307	0.0342	0.0063	0.0820	0.0513	0.0683
347	1.0625	8	4.6260	0.0343	0.0065	0.0820	0.0513	0.0687
351	1.1250	8	4.9213	0.0345	0.0065	0.0818	0.0515	0.0692
356	1.2500	8	5.5118	0.0348	0.0065	0.0818	0.0515	0.0697
363	1.4375	8	6.2008	0.0340	0.0065	0.0817	0.0516	0.0680

* Table coefficient values multiplied by speed = hertz (cps) or HZ value X 60 = cycles per minute (cpm) frequency value

Link-Belt 6800 & 6600 Series Roller Bearing Vibration Frequency Coefficients

Size Code	RSF Roller Spin	FTF Fundamental Train	RPFI Inner Ring Defect	RPFO Outer Ring Defect
22209	0.0497	0.0070	0.1640	0.1188
22210	0.0530	0.0071	0.1730	0.1272
22211	0.0553	0.0071	0.1810	0.1352
22213	0.0523	0.0071	0.1730	0.1269
22215	0.0591	0.0072	0.1890	0.1438
22216	0.0553	0.0071	0.1810	0.1352
22217	0.0523	0.0071	0.1730	0.1269
22218	0.0524	0.0071	0.1730	0.1269
22220	0.0522	0.0071	0.1730	0.1269
22222	0.0493	0.0069	0.1650	0.1186
22224	0.0522	0.0071	0.1730	0.1269
22226	0.0524	0.0071	0.1730	0.1270
22228	0.0523	0.0071	0.1730	0.1269
22230	0.0522	0.0071	0.1730	0.1269
22232	0.0523	0.0071	0.1730	0.1269
22234	0.0492	0.0070	0.1650	0.1186
22236	0.0523	0.0071	0.1730	0.1269
22238	0.0573	0.0072	0.1900	0.1433
22240	0.0557	0.0071	0.1811	0.1356
22244	0.0540	0.0071	0.1818	0.1349
23048	0.0857	0.0075	0.2645	0.2187
23056	0.0826	0.0075	0.2563	0.2103

* There are two rows per bearing

* Table coefficient values multiplied by speed = hertz (cps) or HZ value X 60 = cycles per minute (cpm) frequency value

Link-Belt Ball Bearing Vibration Frequency Coefficients

Size Code	Ball Diameter (in)	Number of Balls	Pitch Diameter (in)	BSF Ball Spin	FTF Fundamental Train	BPFI Inner Ring Defect	BPFO Outer Ring Defect	BDF Ball Defect
203	0.2969	7	1.1220	0.0293	0.0062	0.0738	0.0428	0.0585
204	0.3125	8	1.3189	0.0332	0.0063	0.0825	0.0508	0.0633
205	0.3125	9	1.5157	0.0387	0.0067	0.0905	0.0595	0.0775
206	0.3750	9	1.8110	0.0385	0.0067	0.0905	0.0595	0.0770
207	0.4375	9	2.1063	0.0383	0.0067	0.0905	0.0595	0.0768
208	0.4688	9	2.3622	0.0367	0.0065	0.0912	0.0588	0.0733
209	0.5000	9	2.5590	0.0377	0.0065	0.0908	0.0592	0.0752
210	0.5000	10	2.7559	0.0445	0.0068	0.0985	0.0682	0.0888
211	0.5625	10	3.0512	0.0437	0.0068	0.0987	0.0680	0.0873
212	0.6250	10	3.3464	0.0430	0.0068	0.0988	0.0678	0.0862
213	0.6563	10	3.6417	0.0447	0.0068	0.0983	0.0683	0.0895
214	0.6563	10	3.6417	0.0451	0.0068	0.0982	0.0684	0.0903
215	0.6875	11	4.0354	0.0475	0.0068	0.1073	0.0760	0.0950
216	0.7813	11	4.6260	0.0470	0.0069	0.1074	0.0759	0.0941
217	0.7813	11	4.6260	0.0480	0.0070	0.1072	0.0762	0.0958
218	1.0000	10	5.5118	0.0454	0.0069	0.0981	0.0685	0.0908
220	1.0000	10	5.5118	0.0445	0.0068	0.0985	0.0682	0.0888

* Table coefficient values multiplied by speed = hertz (cps) or HZ value X 60 = cycles per minute (cpm) frequency value

Shaft Size Tolerance

A snug fit-up between shaft and bearing inner race is required for proper bearing performance. In fact, a press fit is necessary to obtain full basic dynamic capacity. As application conditions and requirements vary, fit-up and mounting requirements change as well.

A slip fit mounting in accordance with the shaft tolerances shown in the tables below will provide generally acceptable service life on normal applications under light to moderate load and speed conditions. A shaft tolerance resulting in looser fits (such as commercial grade shafting) may be expected to have greatly reduced reliability and increasing problems of shaft fret wear, bearing inner ring fracture and shaft slippage. In general, looser fits than recommended are feasible only for very light loading and lower speeds.

Shafting should be designed for adequate strength and stiffness for the intended application. It should be round, straight, free of nicks and burrs and of correct size.

If a special tolerance shaft is to be used, consideration should be given to the use of a precision tolerance bearing, particularly in the case of severe loading or high speed applications to obtain optimum bearing performance.

The tables below list shaft size tolerance information for various types of mounting and application conditions.

Recommended Roller Bearing Shaft Tolerance Table

Shaft Diameter	Recommended Shaft Tolerances	
	Setscrew Mounted	Adapter Mounted
thru 2"	+ .0000" to -.0005"	+ .000" to -.003"
2 1/16" to 4"	+ .0000" to -.0010"	+ .000" to -.004"
4 1/16" to 6"	+ .0000" to -.0015"	+ .000" to -.005"
6 1/16" to 13"	+ .0000" to -.0015"	+ .000" to -.006"
17mm to 50mm	+ .000mm to -.013mm	+ .00mm to -.07mm
55mm to 100mm	+ .000mm to -.025mm	+ .00mm to -.10mm
105mm to 150mm	+ .000mm to -.038mm	+ .00mm to -.13mm
155mm to 330mm	-	+ .00mm to -.15mm

Recommended Ball Bearing Shaft Tolerance Table

Shaft Diameter	Recommended Shaft Tolerances		
	Setscrew Mounted	Adapter Mounted	Centrik-Lok
thru 2"	+ .0000" to -.0005"	+ .000" to -.003"	+ .000" -.003"
2 1/16" to 4"	+ .0000" to -.0010"	+ .000" to -.004"	+ .000" -.004"
17mm to 50mm	+ .000mm to -.013mm	-	-
55mm to 100mm	+ .000mm to -.025mm	-	-

Recommended Sleeve Bearing Shaft Tolerance Table

Shaft Diameter	Recommended Shaft Tolerances
thru 2"	+ .000" to -.003"
2 1/16" to 4"	+ .000" to -.004"
4 1/16" to 6"	+ .000" to -.005"
6 1/16" to 13"	+ .000" to -.006"

Recommended Setscrew Torque Values

Proper tightening torque can be found in the below tables. Achieving these values will distort the set collars and spring load the setscrews to prevent their loosening during operation. If an Allen wrench is used as the torque wrench, place length of pipe over long end and pull until wrench begins to twist.

The axial load capacities listed in the below tables are for knurled cup setscrews having 90° spacing, tightened to recommended torque range on a shaft seat not harder than 35 Rockwell C. The axial load values may be used in design, as a safety factor has been applied.

The setscrew torque values and allowable axial loads are applicable to Rexnord Bearing products only. These values can not be applied to bearings manufactured by other vendors having different setscrew spacing, different type of setscrews and/or different size setscrews.

Rexnord Roller Bearing Seating Torque

Setscrew Size (in)	2000	3000	5000	Setscrew Torque Range (in-lb)	Axial Load Capacity 2000 & 3000 (lb)	Axial Load Capacity 5000 (lb)
5/16	2012-2104	3107		185	500	
3/8	2107-2200	3111-3115	5107-5115	325	650	1300
7/16	2203-2204	3203-3315	5200-5203	460	825	1650
1/2	2206-2308	3207-3308	5207-5307	680	990	1980
5/8	2311-2400	3315	5311-5600	1350	1320	2640
3/4			5607-5700	1600	1650	3300

Link-Belt Roller Bearing Seating Torque

Setscrew Size (in)	B22400	B22500	Setscrew Torque Range (in-lb)	Axial Load Capacity B22400 (lb)	Axial Load Capacity B22500 (lb)
5/16	B22412-420		185	500	
3/8	B22423-432	B22523-531	325	650	1300
7/16	B22435-436	B22532-535	460	825	1650
1/2	B22439-456	B22536-556	680	990	1980
5/8	B22459-464	B22559-580	1350	1320	2640

Link-Belt Ball Bearing Seating Torque

Setscrew Size (in)	Y200/W200 Eccentric Lock	U200 Setscrew	S200 Setscrew	U300 Setscrew	Setscrew Torque Range (in-lb)	Axial Load Capacity (lb)
#10		2B08-211	2B08-211	312	33-40	175
1/4	2B08-216	212-2E20	212-216	314-316	87-92	330
5/16	217-2E20	220-228	217-228	318-324	165-185	500
3/8	220-2E32	230-239	230-256	326-331	290-325	650
7/16	232-239	240-243		332-339	430-460	825
1/2		244-2E56		343-347	620-680	990
5/8		263-2E64		348-356	1225-1350	1320
3/4				363	2125-2350	1650

Setscrew Size (in)	CL200 Centrik-Lok	M_CL200 Centrik-Lok	Setscrew Torque Range (in-lb)
#10	212-2E20	216	65-72
1/4	220-228	219-224	151-168
5/16	230-239	227-235	313-348
3/8	240-2E64	239-256	540-600

Introduction to Load Ratings

The values shown in the Radial Load Rating Tables are used to select the most economical bearing capable of sustaining the required speed and load for the desired life. Do not depend entirely on the rated capacity to judge how well the complete mounted unit will perform. Environmental and maintenance conditions can detract from this performance. The realistic approach to mounted bearing application is to consider "theoretical" rated capacity of the base bearing plus the housing design, seals, method of securing to shaft, lubrication, etc., as they effect the desired life expectancy and the economics of overall equipment design.

Basis of Load Ratings

The Anti-Friction Bearing Manufacturer's Association (AFBMA), recommends the use of a standard formula for determining the basic rating of anti-friction bearings. The use of the formula determines the rating for any given bearing and is based upon failure from surface contact fatigue of the roller or race material.

The AFBMA Basic Load Rating definition may be thought of as having two basic principles involved; one being of a physical nature relating to a load carrying ability (Basic Load Rating) and the other taking into consideration failure level or probability of bearing survival (Rating Life).

The definitions of these principles are:

1. The "Basic Load Rating" of a bearing is that consistent stationary equivalent radial load which a group of apparently identical roller bearings with stationary outer ring can endure for one million revolutions of the inner ring.
2. The "Rating Life" of a group of apparently identical bearings is defined as "the number of revolutions that 90% of a group of bearings will complete or exceed before first evidence of fatigue develops." This is often referred to as L_{10} or B-10 Life.

C Rating

The common industry term "C" Rating inter-relates these two rating conditions. The "C" Rating is defined as "the equivalent radial load which may be imposed on the bearings to give an L_{10} (B-10) life of one million revolutions" (500 hours at 33 1/3 rpm). The "C" Rating is calculated from an empirical formula based on size and geometry. The empirical relationship is based on assumptions in several important areas; i.e., press fit mounting to shaft, adequate mineral oil lubrication, no misalignment, uniform loading, moderate speed and temperature, absolute cleanliness, etc. While it would appear logical that all bearings of identical geometry, dimensions and material should produce identical results under identical conditions, in reality, due to variations within specified tolerances of material and manufacturing, failures will occur at random periods of life. Ideally these failures should still result from metal fatigue rather than physical wear of the components. The "C" Rating can be expanded into combinations of load and speed to life hours by utilizing specified load-life relationships. These may then be referred to as the capacity ratings for any speed and life hours with the implied " L_{10} " survival probability consideration. This load rating for a given life condition is often termed Capacity Rating Or Rated Capacity and are shown in the Load Rating Tables in the front of each section.

Co Rating

The Basic Static Capacity (C_o) is that amount of radial or equivalent radial load that can be imposed on a non-rotating bearing without producing excessive brinelling. This rating applies to the performance of the internal parts of the roller bearing. For the vast majority of applications, a bearing can be run normally after sustaining a static load of C_o . First fracture of primary race components does not occur until well above the C_o Rating. C_o does not necessarily represent static strength of the housing or structure in which the bearing is mounted.

Conditions Affecting Rated Life

When the bearings are mounted in commercial housings and offered as a "package" to the user it should then be understood that the values shown in the catalog Load Rating Tables apply only to the base bearing under laboratory conditions. Common application factors which have an adverse effect on rated life are:

- 1 - Improper mounting (alignments, fit up to shaft)
- 2 - Contamination by abrasive or corrosive material
- 3 - Non-uniform load or vibration
- 4 - Inadequate or improper lubrication
- 5 - Excessive temperature or temperature change
- 6 - Excessive speed

The base bearing when mounted in a commercial housing frequently fails from other causes before it reaches the theoretical basis for the rated life. Thus, selection of housing style, seal type, mounting method, specific lubricant, etc., must also be considered to optimize life on the actual application.

Adjusted Rating Life

While actual results or "usable" bearing life is the primary interest of both those who design and those who utilize bearings, a great many factors impact the translation of "theoretical" rated capacity into actual performance. Once the theoretical bearing L_{10} life has been calculated, it can be adjusted for higher reliability, special bearing material properties, and/or operating condition effects on lubrication. Detailed information can be obtained from the Rexnord Engineering Department.

Theoretical Bearing L_{10} Life Calculation

While bearings are usually selected on the basis of capacity, there are occasions when they are selected based on calculated L_{10} life. The L_{10} life is defined as the number of revolutions (or hours) that 90% of a group of bearings will meet or exceed before evidence of raceway spalling fatigue occurs. The L_{10} life can be calculated using the following empirical formula:

Roller Bearing:

$$L_{10} = \frac{1 \times 10^6}{60 \times \text{RPM}} \left(\frac{C}{P_e} \right)^{10/3} = \text{Life in Hours}$$

Ball Bearing:

$$L_{10} = \frac{1 \times 10^6}{60 \times \text{RPM}} \left(\frac{C}{P} \right)^3 = \text{Life in Hours}$$

where C = C Rating

P_e = Equivalent Radial Load or
Required Radial Capacity

The basic dynamic load ratings, C , in this catalog have been increased significantly compared to previous values. Improved surface characteristics have been produced primarily by improving manufacturing and measuring techniques for the race surfaces. Along with the capability to rotate under higher loads, the static load ratings, C_o , have also been increased.

With the larger load ratings it may be possible to use smaller bearings (size code) for a given application. Caution is advised in such cases to consider the strength of the shaft and housing—especially when the applied load is not aimed directly into the machined mounting surface.

Bearing Selection

Optimum bearing performance is the result of selecting the bearing and the shaft to suit the particular application. Bearing size is often controlled by a shaft size selection, based on shaft bending and torsional stresses. In other applications, bearing load capacity is the determining design factor. In either case, the selection procedure outlined below is used to determine the bearing capacity required to meet the application requirements.

Bearing Selection Procedure

This procedure involves conversion of all forces and conditions into one resultant equivalent radial load on each bearing and utilization of the bearing load rating table.

STEP 1.

Determine all forces acting on the bearings. The following types of loading must be considered.

- A. Static loads - weight of shaft assembly and other equipment supported by the bearings. (When these are small in relation to applied loads they are often disregarded).
- B. Applied loads - forces applied on shaft during normal function of equipment and are determined prior to bearing selection.
- C. Drive loads - forces transmitted from power source to the shaft through belts, chains, gears, etc. (see Drive Load).
- D. Eccentric loads - centripetal force due to a designed unbalanced load rotating with shaft (see Eccentric Loads).

STEP 2.

Resolve the radial forces acting on the shaft into radial loads on each bearing. (See Translation of Shaft Forces into Bearing Loads)

STEP 3.

Combine the radial forces vertically to obtain a resultant radial load (P_r) at each bearing (see combining radial loads).

STEP 4.

Add or subtract all thrust forces (if any) to determine the total thrust load (P_t) acting on the shaft. Assume this thrust load is acting at the bearing with the greatest radial load (P_r).

STEP 5.

Calculate the equivalent radial load (P_e) using the applicable thrust formula. If no thrust is present, then $P_e = P_r$. (See selection guides)

STEP 6.

Apply the modification factors (M) and obtain a required radial capacity (P) to reflect actual application conditions. (See Load Modification Factors)

$$P = P_e \times M$$

STEP 7.

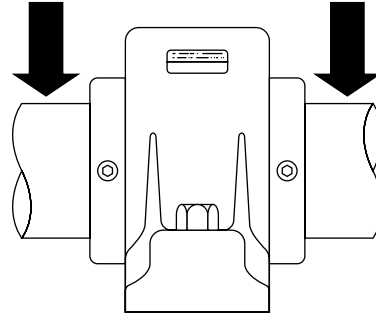
Select a bearing size from the load rating table at the front of each section. Use the largest calculated Required Radial Capacity value (P) and the application speed and life requirements in making the optimum selection. Usually, a single set collar bearing provides an adequate, economic selection. However, in applications involving shock and vibration, increased rigidity, or when shaft locking or housing strength is desired, a double set or adapter mount unit should be specified.

NOTE: If bearing selection has been made without consideration of shaft strength, shaft size (as indicated by bearing bore) should be checked.

Applied Loads

Each shaft performs a basic work function in a system, regardless of the type or style of equipment. The forces relating to this work function normally represent the primary load on the shaft and are most accurately determined by those responsible for total equipment design. When this load information is supplied, these loads are combined with other loadings to determine a bearing selection.

Radial Loads



Drive Loads

To determine the radial force on a shaft from a belt or chain drive where the horsepower being transmitted is known, the following formula should be used:

$$F = \frac{HP \times 126,000 \times K}{PD \times RPM} \quad \text{Formula (1)}$$

Where:

- F - Radial Force on Shaft
- HP - Horsepower transmitted
- PD - Pulley diameter or pitch diameter of sprocket or sheave in inches
- RPM - Revolutions per minute
- K - See Drive Tension Factors (below)
- 126,000 - A constant for conversion of horsepower, speed and pulley diameter to radial pounds of force

Drive Tension Factors - K:

While subject to considerable variations due to different installation and maintenance practice, the following Drive Tension Factors "K" are recommended for normal applications:

"K" Factors

Type of Drive	Normal Tension	4 or more V-belts, Tight Belts, Short Centers, High Ratios
Chain	1	1
V-belts (1 to 3 belts)	1.5	2
Flat Belts	2	3

Eccentric Loads

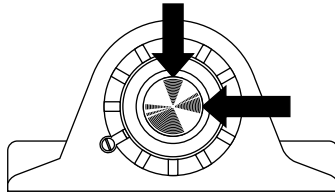
An unbalanced shaft generates a centripetal force which acts radially on the shaft per the following formula:

$$C.F. = .000028 \times r \times W \times (RPM)^2 \quad \text{Formula (2)}$$

C.F. = Centripetal Force (Lbs.)
 r = Radius of rotation of unbalanced load in inches
 W = Weight of unbalanced load in lbs.
 RPM = Revolutions per minute

Since the centripetal force varies in direction it should be added to the maximum combined load from other sources. A modification factor (see Load Modification Factors) must also be included on this type loading.

Bearing Selection



Translation of Shaft Forces into Bearing Loads

Any radial force (F) can be resolved into individual loads on each bearing. The amount of load supported by each bearing is determined from the summation of moments using the following formulas:

When the load (F) is between supports, it produces bearing loads (Fa, Fb) in same direction on both bearings (A & B), and equal to the applied load. (F = Fa + Fb).

An overhung load produces a bearing load (Fa) in the opposite direction of the far bearing (A); and since a lever arm is involved, the magnitude of load (Fb) on nearest bearing (B) will be greater than the overhung load (F), by the amount of load (Fa) on far bearing (A). (F = Fb - Fa).

$$F_a = \frac{F \times e}{c}$$

Formula (3)

$$F_b = \frac{F \times d}{c}$$

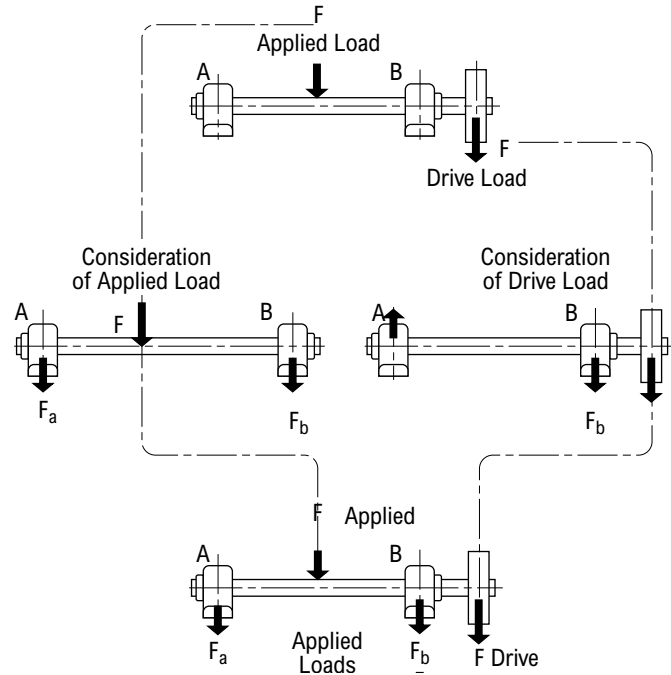
Formula (4)

Note Direction of Forces Fa, Fb

- F - Force on shaft required to transmit power and or other radial forces acting on shaft from one point
- Fa - Radial force on bearing "A"
- Fb - Radial force on bearing "B"
- c - Distance between bearing centerlines in inches
- d - Distance between centerline of bearing "A" and force "F" in inches
- e - Distance between centerline of bearing "B" and force "F" in inches

Combining Radial Loads

Typical applications involve both an applied load and a drive load. Normal Engineering Procedure would be to treat each load source separately, but to ultimately combine these loads as shown below:



In applications where all loads are in the same plane, the forces can be added or subtracted. However, in most applications, all radial forces are not in the same direction. Where two or more radial forces are not in the same plane, these forces should be changed to vertical and horizontal components as shown by the following formula:

$$F_v = \text{Force } F \text{ Sine } \angle \quad \text{Formula (5)}$$

$$F_h = \text{Force } F \text{ Cos } \angle \quad \text{Formula (6)}$$

Where:

Fv = Vertical component in lbs.

Fh = Horizontal component in lbs.

Sine \angle = Sine of angle between force "F" and horizontal

Cos \angle = Cos of angle between force "F" and horizontal

These horizontal and vertical components are combined to obtain a net horizontal force (Prh) and a net vertical force (Prv). The resultant radial force on a bearing is determined as follows:

$$P_r = \sqrt{P_{rv}^2 + P_{rh}^2} \quad \text{Formula (7)}$$

Where:

Pr = Resultant radial load

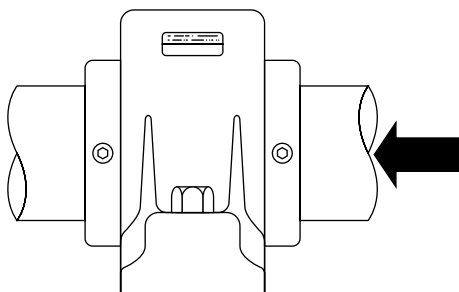
Prv = Total vertical radial load

Prh = Total horizontal radial load

Resultant radial loads (Pr) can also be determined graphically, using vectors representing both size and direction of imposed loads.

Bearing Selection

Pure Thrust Loads



Centrifugal pumps, propellers, drilling equipment, vertical shafts and screw conveyors represent types of equipment where one of the bearings supporting the shaft may be required to take primarily thrust loads. Rex units are capable of taking thrust loads in either direction.

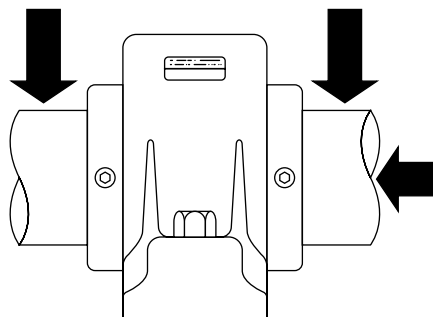
Thrust load ratings for units may be obtained as follows:

$$\text{Thrust Rating} = \frac{\text{Catalog Radial Load Rating}}{\text{Maximum Thrust Factor}}$$

The "Thrust Rating" is the maximum thrust load a bearing can withstand at the selected RPM and L₁₀ Life.

NOTE: Assume thrust load is supported by one bearing only. High thrust loads require special shaft and mounting considerations. Installation must also be considered to assure maximum performance.

Combined Radial and Thrust Loads



In many applications such as, helical, bevel or spiral-bevel gears the bearings are required to carry combined radial and thrust loads. Rex Bearings are in effect two single-row angular contact bearings having a common inner race with a spherical surface. They are, therefore, capable of carrying both radial and thrust loads in either direction.

For purposes of selection, it is always advisable to assume that, if any thrust loading is present, it is carried by the bearing with the heaviest radial load. (In most applications it is almost impossible to split a thrust load between two or more bearings. Also, unless floating units are used, it is difficult to mount bearings so that only one specific bearing carries all the thrust load imposed on a shaft.)

When both thrust and radial loads are involved, the formulas in the Thrust Table are used. The formula combine both loads into an equivalent radial load for which a bearing may be selected from the Load Rating Table. The correct formula is selected based upon size of the unit and percentage of thrust to radial load involved.

Equivalent Radial Load

When selecting a bearing for an application involving thrust loading, a shaft size range must be determined or estimated and bearing series decided to obtain a formula from the Thrust Table below. When a specific bearing has been selected from the Radial Load Rating Table as a result of the use of this formula from the Thrust Table, and its shaft size or style is outside the range of the original formula, the selection is not valid and the equivalent radial load (P_e) must be recalculated using the new formula related to that shaft size and bearing series.

Load Modification Factors

Normal calculations of bearing loads do not take into consideration special load conditions such as oscillatory, shock, or variable loads. To take such conditions into account, load modification factors are applied to the calculated load. These factors, whether termed load modification factors, application factors, or service factors, are all intended to allow extra bearing capacity to offset inordinate loading conditions.

Since factor selection is always a matter of judgement, even personnel experienced in bearing selection and application vary in their assessment of factors for individual application conditions.

The factors listed below are intended only as a general guide and may be adjusted for particular situations.

Oscillatory Loads

Some bearing applications involve shaft oscillation instead of complete rotation. The table below lists the M factors corresponding to the maximum included angle of oscillation. The applied load is multiplied by this M factor to determine the equivalent radial load. When using the load rating tables, the vertical column headings represent cycles per minute instead of RPM.

Basic failure mode changes at oscillation angles below 30° - consult Rexnord.

Oscillation Factors

φ	30	60	90	120	150	180
M	.58	.72	.81	.89	.95	1.00

φ = Included oscillation angle - degrees

M = Modifying factor.

Shock Loads

Shock is an actual dynamic load on the bearing. Consequently capacity must be allocated to handle shock loading in addition to the basic dynamic loading normally calculated or analyzed in an application.

Shock Factors

Operating Condition	Frequency Overload		
	Occasional 33%	Frequent 67%	Continuous 100%
No Shock	1.00	1.00	1.00
Light Shock	1.14	1.24	1.33
Moderate Shock	1.32	1.52	1.67
Heavy Shock or Extreme Vibration	1.52	1.80	2.00

Resultant Load

The Resultant Radial Load P_r or Equivalent Radial Load P_e multiplied by selected Modifying Factors will give the Required Radial Capacity P in terms of catalog load rating tables.

For Radial Load Only:

$$P = P_r \times M \quad \text{Formula (9)}$$

For combined Radial and Thrust Loads as well as Thrust Loads:

$$P = P_e \times M \quad \text{Formula (10)}$$

If safety factors or other allowances have been included in the initial bearing loads to reflect application conditions, then do not duplicate those factors from the following table to avoid exaggerating bearing loads. In case two or more factors are involved, the values should be multiplied together to obtain the combined "M" Factor.

Variable Loads

In many cases, a bearing is subjected to varying loads and speeds.

The following formula calculates the equivalent load on the bearing when this occurs.

$$P_e = \sqrt[3.33]{\frac{P_1^{3.33}n_1t_1 + P_2^{3.33}n_2t_2 + \dots P_n^{3.33}n_nt_n}{N}} \quad \text{Formula (11)}$$

where P_1, P_2, P_n are the loads (in lbf) acting at speeds

n_1, n_2, n_n (in rpm)

t_1, t_2, t_n are the durations (in decimal percentage) of each load and speed

$$N = t_1n_1 + t_2n_2 + \dots t_n n_n$$

For cases where the load is variable but the speed is constant, the following simplified formula is used:

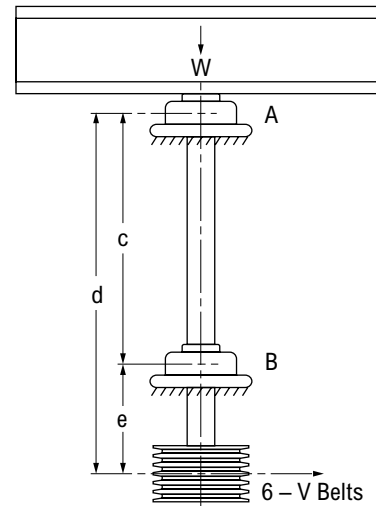
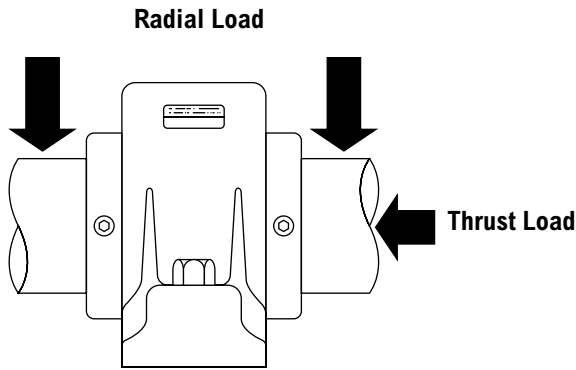
$$P_e = \sqrt[3.33]{P_1^{3.33}t_1 + P_2^{3.33}t_2 + \dots P_n^{3.33}t_n} \quad \text{Formula (12)}$$

When the load varies from a minimum to a maximum load and is a continuous and gradual change, the equivalent load is calculated using the following formula:

$$P_e = \frac{P_{min} + 2P_{max}}{3} \quad \text{Formula (13)}$$

For calculations of more complex loading conditions, consult the Rexnord Bearing Engineering Department.

Application Example



Determine the Flange Block Requirements for the Mixing Tub as shown:

Operating Data	Symbol	Value
Wt. of mixing tub and load	W	2400 lbs.
Horsepower	HP	10
Speed	RPM	200
"K" Factor	K	2
Sheave Pitch Dia.	PD	14"
Bearing "A" to "B"	c	24"
Bearing "A" to Sheave	d	32"
Bearing "B" to Sheave	e	8"
L-10 Life required	-	15,000 Hrs.

Radial force on shaft from V-Belt drive (F) is calculated by using formula (1),

$$F = \frac{HP \times 126,000 \times K}{PD \times RPM} = \frac{10 \times 126,000 \times 2}{14 \times 200} = 900 \text{ lbs.}$$

F1 load from drive, will produce radial loads on bearings "A" and "B." These radial loads are determined by using formulae (3) and (4)

Bearing "A"

$$F_a = \frac{F \times e}{c} = \frac{900 \times 8}{24} = 300 \text{ lbs.}$$

$$F_b = \frac{F \times d}{c} = \frac{900 \times 32}{24} = 1200 \text{ lbs.}$$

A bearing selection is made based upon bearing "B" because it carries the greater radial load. The total thrust load, 2400 lbs. from the weight of the mixing tub and load, should also be considered as acting on that bearing.

The thrust and radial loads are combined to an equivalent radial load by selecting the proper X, Y Factors in the Bearing Selection Guide.

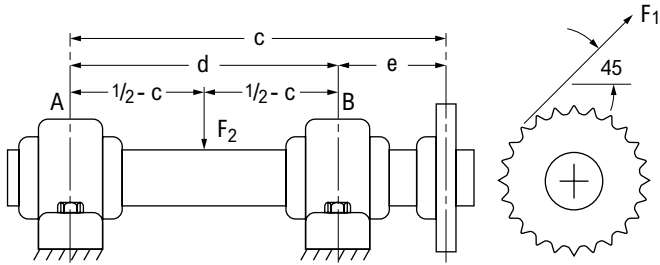
In this case use:

$$P_e = .67 P_r + 2.60 P_t = .67 (1200) + 2.60 (2400) \\ = 804 + 6240 = 7044$$

Referring to the Rexnord Roller Bearing Radial Load Rating Table, a size code 9 bearing has a rating of 9855 lbs. at 200 rpm and 15,000 hours life. Using the derating factor at the bottom of the table, a Normal Duty 2211 bearing has a rating of $(1-.15) \times 9855 = 8377$ lbs. This exceeds the 7044 lbs. of equivalent radial load that was calculated so the 2211 is satisfactory. Therefore, a ZB2211 Normal Duty Flange Block would be selected. Using the formula and C, the bearings L₁₀ life would be:

$$L_{10} = \frac{1 \times 10^6}{60 \times 200} \left[\frac{46,800 \times .85}{7044} \right]^{10/3} = 26,728 \text{ hours}$$

Application Example - Chain and Belt Drives



Radial load on bearings consist of two parts: from the dead load and from the drive. Because these loads act in different directions, they will have to be combined by using formula 5, 6 and 7.

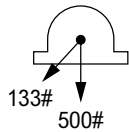
Bearing "A"

Load from weight in center of shaft:

$$F_{2a} = \frac{1000}{2} = 500 \text{ lbs. because weight is centered between both bearings. Load is downward.}$$

Load from drive:

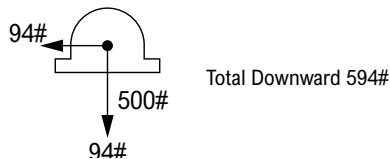
$$F_{1a} = \frac{F_1 \times e}{c} = \frac{1200 \times 10}{90} = 133 \text{ lbs. at } 45^\circ \text{ downward}$$



To combine the loads, the 133 lb. load must be broken up into vertical and horizontal loads.

$$F_v = F_{1a} \times \sin 45^\circ = 133 \times .707 = 94 \text{ lb. vertical downward}$$

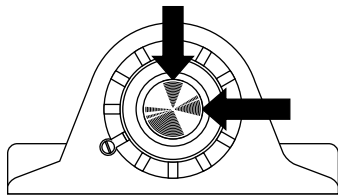
$$F_h = F_{1a} \times \cos 45^\circ = 133 \times .707 = 94 \text{ lb. horizontal}$$



Now combine the total downward load and horizontal load.

$$P_r = \sqrt{(94)^2 + (594)^2} = 602 \text{ lbs. radial load on "A"}$$

Combined Radial Loads



Determine the pillow block requirements for the application shown below:

Operating Data	Symbol	Value
Load from drive	F1	1200 lbs.
Dead load on shaft	F2	1000 lbs.
Speed	RPM	1000
L ₁₀ Life required	-	15,000 Hrs.
Bearing "A" to "B"	c	90"
Bearing "A" to sprocket	d	100"
Bearing "B" to sprocket	e	10"
Sin 45°		.707
Cos 45°		.707

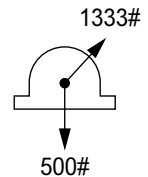
Bearing "B"

Load from weight in center of shaft:

$$F_{2b} = \frac{1000}{2} = 500 \text{ lbs. downward}$$

Load from drive:

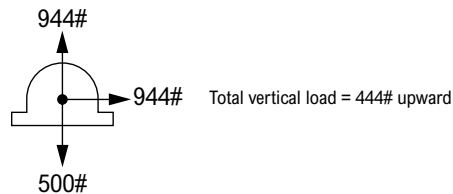
$$F_{1b} = \frac{F_1 \times d}{c} = \frac{1200 \times 100}{90} = 1333 \text{ lbs. at } 45^\circ \text{ upward}$$



Now break up the 1333 lb. load into horizontal and vertical

$$F_v = F_{1b} \times \sin 45^\circ = 1333 \times .707 = 944 \text{ lbs. vertical upward}$$

$$F_h = F_{1b} \times \cos 45^\circ = 1333 \times .707 = 944 \text{ lbs. horizontal}$$



Now combining the total upward load and horizontal load

$$P_r = \sqrt{(444)^2 + (944)^2} = 1042 \text{ lbs. radial load on "B"}$$

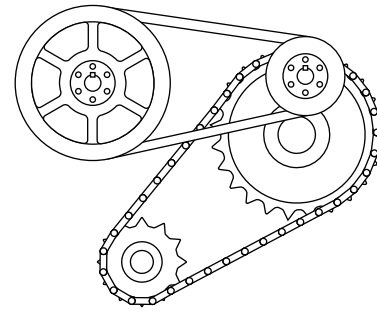
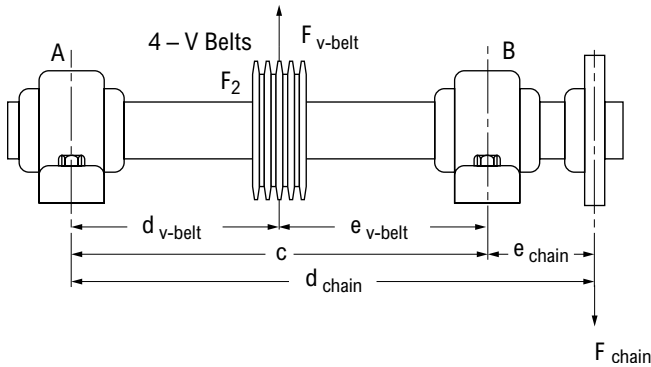
Bearing selection will be based on Bearing "B" because it has the highest load of the two bearings. Referring to the Rexnord Roller Bearing Radial Load Rating Table, a size code 3 bearing has a rating of 1858 lbs. at 1000 rpm and 15,000 hours life. Using the derating factor at the bottom of the table, a Normal Duty 2102 bearing has a rating of (1-.15) X 1858 = 1579 lbs. This exceeds the 1042 lbs. of equivalent radial load that was calculated for Bearing "B" so the 2102 is satisfactory. Therefore, a ZA2102 Normal Duty Pillow Block would be selected.

Using the formula and the C Rating, the bearings L₁₀ life would be:

$$L_{10} = \frac{1 \times 10^6}{60 \times 1000} \left[\frac{14,300 \times .85}{1042} \right]^{10/3} = 59,949 \text{ hours}$$

Application Example - Chain and Belt Drives

Determine the pillow block requirements for the jack shaft driven by a chain sprocket and power take-off through a 4-V Belt Sheave as shown:



Operating Data	Symbol	Value
Horsepower	HP	30
Speed	RPM	200
L ₁₀ Life required	-	80,000 Hrs.
"K" Factor	K _{v-belt}	2
"K" Factor	K _{chain}	1
Sprocket Pitch Dia	PD _{chain}	10"
Sheave Pitch Dia	PD _{v-belt}	15"
Bearing "A" to "B"	c	20"
Bearing "A" to sheave	d _{v-belt}	10"
Bearing "A" to sprocket	d _{chain}	30"
Bearing "B" to sheave	e _{v-belt}	10"
Bearing "B" to sprocket	e _{chain}	10"

Radial force on shaft from chain drive (F_{chain}) is calculated by using Formula (1).

$$F_{chain} = \frac{HP \times 126,000 \times K}{PD \times RPM} = \frac{30 \times 126,000 \times 1}{10 \times 200} = 1890 \text{ lbs.}$$

(NOTE: Chain pull in this case is downward)

Radial force on shaft from V-Belt power take-off (F_{v-belt}) is calculated by using Formula (1).

$$F_{v-belt} = \frac{HP \times 126,000 \times K}{PD \times RPM} = \frac{30 \times 126,000 \times 2}{15 \times 200} = 2520 \text{ lbs.}$$

(NOTE: V-belt pull in this case is upward)

Radial load on bearings is now determined by combining resulting loads from both chain pull and V-Belt pull using Formula (3) and (4).

Bearing "A"

Load from chain pull

$$F_a = \frac{F_{chain} \times e_{chain}}{c} = \frac{1890 \times 10}{20} = 945 \text{ lbs.}$$

(NOTE: F_a from chain pull is upward)

Load from V-Belt pull

$$F_a = \frac{F_{v-belt} \times e_{v-belt}}{c} = \frac{2520 \times 10}{20} = 1260 \text{ lbs.}$$

(NOTE: F_a from V-Belt is upward)

Combining both $F_{a's}$ and because both loads are upward add both loads to get total:

$$\text{Total load on "A"} = 945 \text{ lbs.} + 1260 \text{ lbs.} = 2205 \text{ lbs.}$$

Bearing "B"

Load from chain pull

$$F_b = \frac{F_{chain} \times d_{chain}}{c} = \frac{1890 \times 30}{20} = 2835 \text{ lbs.}$$

(NOTE: F_b from chain pull is downward)

Load from V-Belt pull

$$F_b = \frac{F_{v-belt} \times d_{v-belt}}{c} = \frac{2520 \times 10}{20} = 1260 \text{ lbs.}$$

(NOTE: F_b from V-Belt is upward)

Combining both $F_{b's}$ and because one load is upward and one is downward, subtract to get total:

$$\text{Total load on "B"} = 2835 \text{ lbs.} - 1260 \text{ lbs.} = 1575 \text{ lbs.}$$

Bearing selection will be based on Bearing "A" because it has the highest load of the two bearings. Referring to the Rexnord Roller Bearing Radial Load Rating Table, a size code 7 bearing has a rating of 3466 lbs. at 200 rpm and 80,000 hours life. Using the derating factor at the bottom of the table, a Normal Duty 2203 bearing has a rating of (1-.15) X 3466 = 2946 lbs. This exceeds the 2205 lbs. of equivalent radial load that was calculated for Bearing "A" so the 2203 is satisfactory. Therefore, a ZA2203 Normal Duty Pillow Block would be selected.

Using the formula and the C Rating, the bearings L₁₀ life would be:

$$L_{10} = \frac{1 \times 10^6}{60 \times 200} \left[\frac{27,200 \times .85}{2205} \right]^{10/3} = 210,092 \text{ hours}$$

A light gray world map is centered in the background of the main section. The map shows the outlines of continents. Overlaid on the map are two decorative elements: a series of red, parallel, chevron-like lines pointing to the right, located in the upper right quadrant, and another similar series of red lines pointing to the right, located in the lower left quadrant.

ALL AROUND THE GLOBE,

CUSTOMERS TRUST OUR PROVEN BRANDS.

WHY CHOOSE REXNORD?

When it comes to providing highly engineered products that improve productivity and efficiency for industrial applications worldwide, Rexnord is the most reliable in the industry. Commitment to customer satisfaction and superior value extend across every business function.

Delivering Lowest Total Cost of Ownership

The highest quality products are designed to help prevent equipment downtime and increase productivity and dependable operation.

Valuable Expertise

An extensive product offering is accompanied by global sales specialists, customer service and maintenance support teams, available anytime.

Solutions to Enhance Ease of Doing Business

Commitment to operational excellence ensures the right products at the right place at the right time.