



JOKWANG I.L.I CO.,LTD.

**DRAWING
FOR
QUOTATION**

PRESSURE SAFETY & RELIEF VALVE SPECIFICATIONS

Doc.No. : 160907-160

PROJECT NAME:

PROJECT NO. :
(HULL NO)

CLIENT :

SITE :

Head Office & Plant

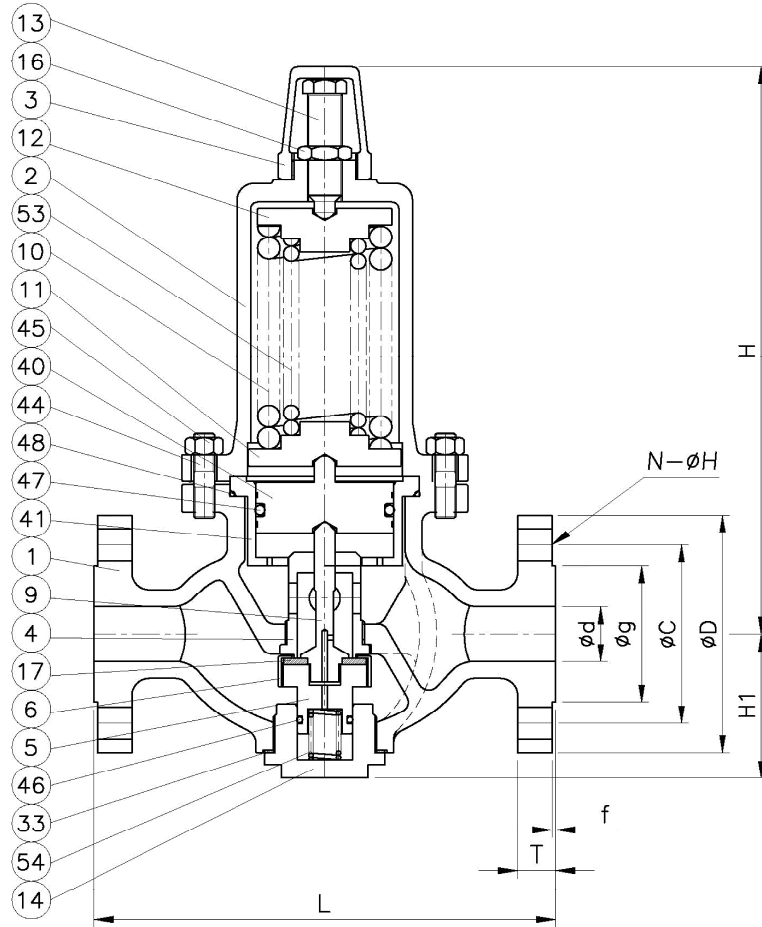
#37, Sanmakgongdanbuk 10-gil, Yangsan-si, Gyeongsangnam-do, Korea

Tel : (055) 360 - 0200 Fax : (055) 360 - 0260

<http://www.jokwang.co.kr>

0	2016. 09. 07.	Quotation	J.B SO	S.C.KIM	S.C.KIM		
REV.	DATE	DESCRIPTION	PREP'D	CHK'D	APP'D	APP'D	DATE
						CLIENT	

TAG NO. 00QJD10AA072



NO	PART NAME	MATERIAL	QTY	REMARK
54	MAIN SPRNG	SUS304	1	
53	ADJUST SPRING(IN)	SWOSC	1	
48	O-RING	NBR	1	
47	O-RING	NBR	1	
46	O-RING	NBR	1	
45	NUT	S45C	6	
44	STUD BOLT	A193 B7	6	
41	CYLINDER	A351 CF8	6	
40	PISTON	C3604	1	
33	PLUG GASKET	PTFE	1	
17	DISC	FPM	1	
16	LOCK NUT	A276 304	1	
14	PLUG	C83600	1	
13	ADJUST SCREW	C3604	1	
12	SPRING SEAT(UPP.)	A105	1	
11	SPRING SEAT(LOW.)	A105	1	
10	ADJUST SPRING(OUT)	SWOSC	1	
9	STEM	A276 304	1	
6	HOLDER	A276 304	1	
5	GUIDE	A276 304	1	
4	SEAT	A351 CF8	1	
3	CAP	A126 B	1	
2	BONNET	A216 WCB	1	
1	BODY	A216 WCB	1	

DWG NO.	JKS-SLQ025478 -10	Designed	Checked	Approved
MODEL	JRV-SF31			
DATE	2016-09-07	J.Y.LIM	Y.S.KIM	J.K.KIM
PRESSURE RELIEF VALVE				REV
JOKWANG I.L.I CO.,LTD.				0

DIMENSION UNIT : mm

SIZE	d	L	H1	H	FLANGE ASME B 16.5 CL150 RF						Wt(kg)
					D	g	c	T	f	N-H	
1 1/2"	40	259	85	328	127	73	98.5	17.5	1.6	4-16	25.5