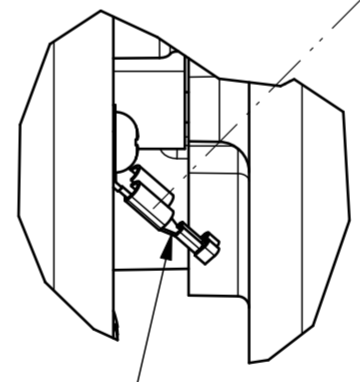
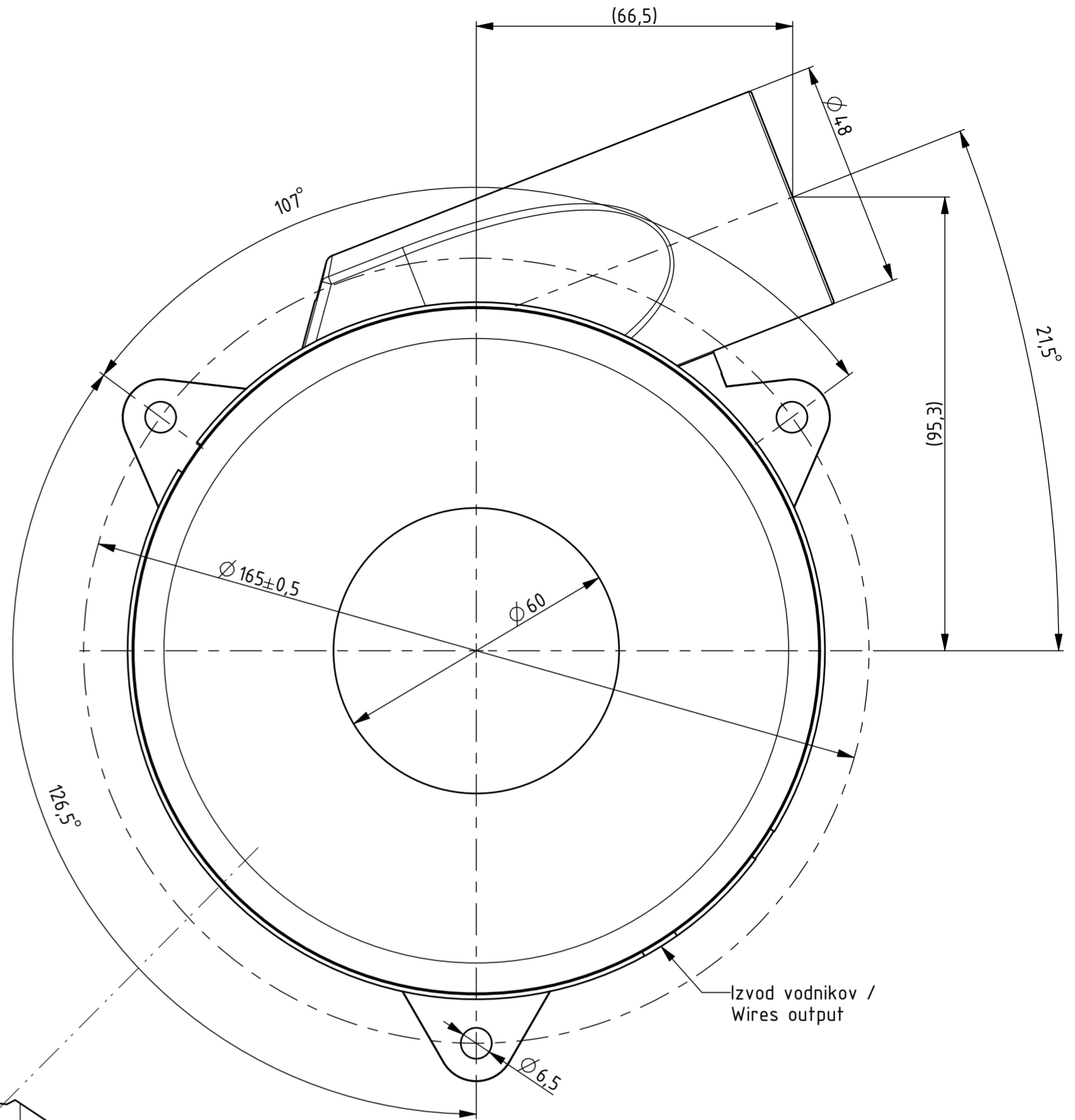
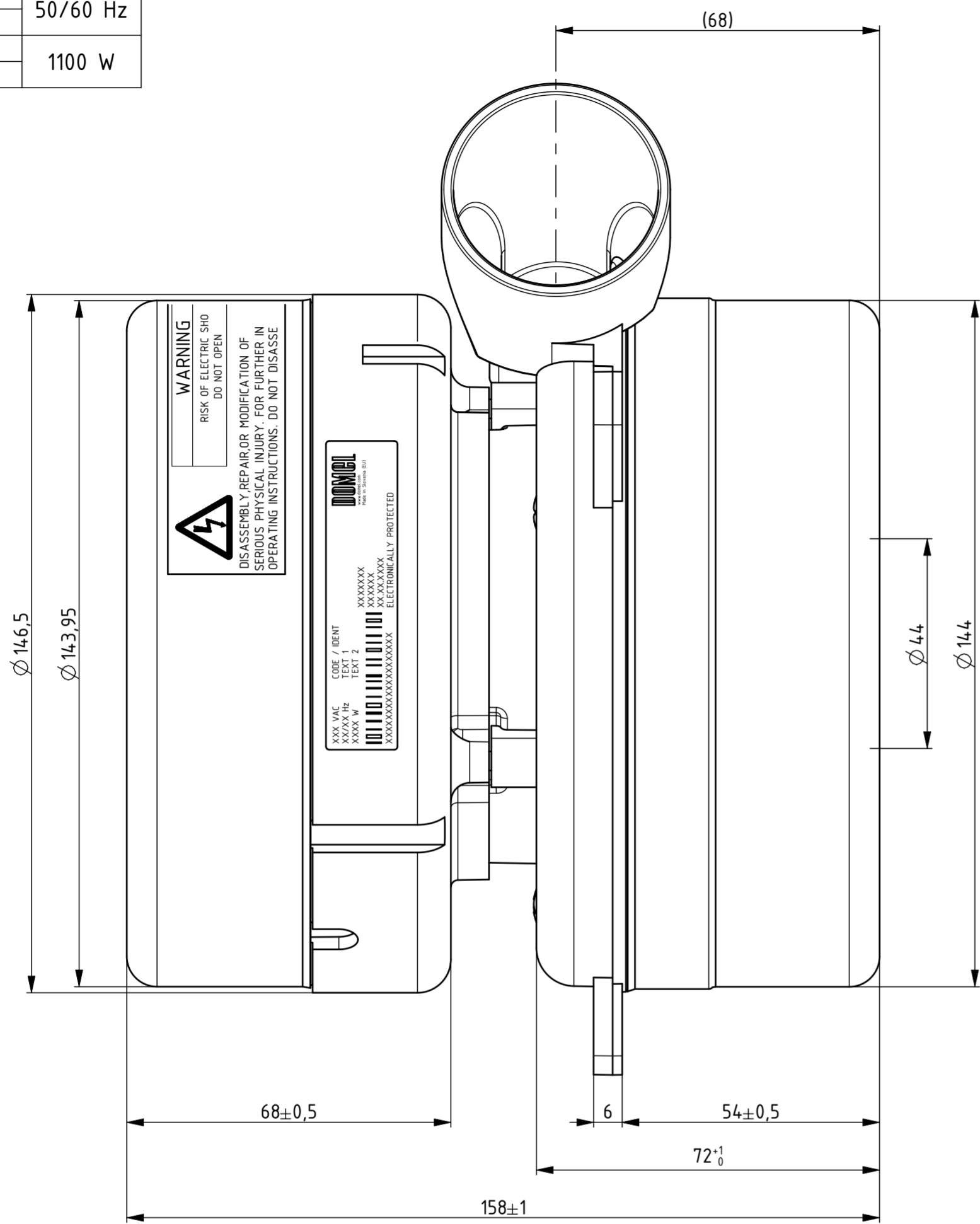


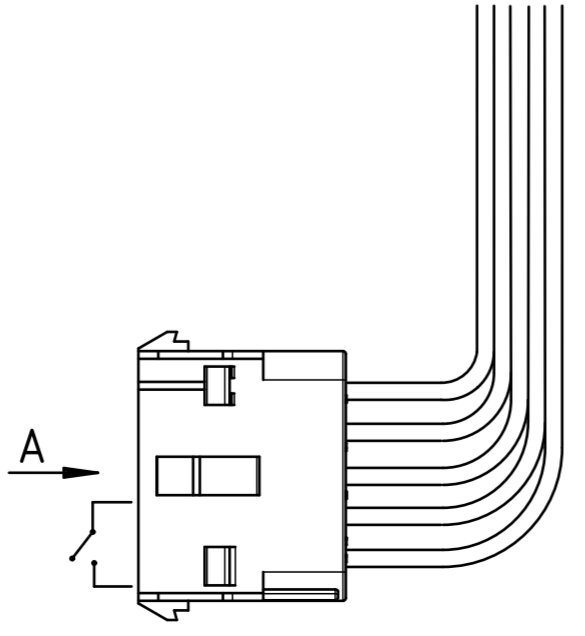
Izdelano s CAD/ProEngineer - ročno spreminjanje ni dovoljeno! Vsak prenos tretjim osebam ali uporaba v nedogovorjene namene ni dovoljena po zakonu o avtorskih pravicah. Made with CAD/ProEngineer - changing is not allowed! Any unauthorized copying of the information contained herein is prohibited.

NAPETOST VOLTAGE	230 V
FREKVENCA FREQUENCY	50/60 Hz
NAZIVNA MOČ NOMINAL POWER	1100 W

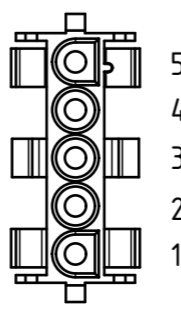


Ozemljitveni vodnik / Ground wire

DOLŽINA VODNIKOV VKLJUČNO S KONEKTORJEM / WIRES OUTPUT INCLUDING CONNECTOR: 250±30mm



View A



CONNECTOR AMP 350810-1			
PIN	COLOR		
5	black	AC INPUT 230V±10%	
4	black	AC INPUT 230V±10%	
3	ye-gr	EARTH	
2	red	Switch ON - OFF	
1	brown		

OSNOVNE ZNAČILNOSTI		TYPICAL CHARACTERISTICS	
IZVEDBA	2-STOPENJSKA	FAN SYSTEM	2-STAGE
VLEŽAJENJE	DVA KROGLIČNA LEŽAJA	BEARINGS	DUAL BALL
VRSTA PRETOKA	MIMO MOTORJA	DISCHARGE	BY PASS
SMER VRTENJA	LEVA	DIRECTION OF ROTATION	CCW

Tolerance odprtih mer Tolerances without individual indications ISO 8015 ISO 2768 - mK		Površinska hrapavost Surface finishing		Merilo Scale <b>1:1</b>		Original format ISO 5457 - A2	
Datum/Date Izdelal Designed Pregl. Verified		Ime/Name Koblar U. Kavčič M.		Naziv Title <b>PUHALO BLOWER</b>		Koda Code <b>792.3.265-773</b>	
A0 Sample1 26.02.20 Koblar U.		DOMEL® Otoki 21, 4228 Železniki, Slovenija		List Sheet 3+		Stran Page 1	
Ozn. Mark		Sf. obvestila Nr. of notice		Datum Date		Ime Name	
7923265773_PUHALO							