

UFI FILTERS HYDRAULIC DIVISION CATALOGUE 2018/2019



UFI FILTERS
CHOSEN BY THE BEST

www.ufihyd.com

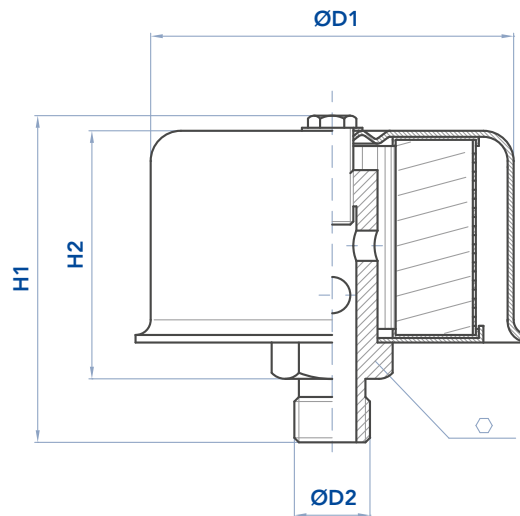
CBB-FA

AIR FILTERS

ORDERING AND OPTION CHART

C	B	B	COMPLETE FILTER FAMILY				FILTER ELEMENT FAMILY	E	B	B
			SIZE & LENGHT	11	21	31	SIZE & LENGHT			
			PORT TYPE							
			B = BSP thread	B	B	B				
			M = metric thread	M	M	M				
			PORT SIZE							
			02 = 1/4"	02	-	-				
			03 = 3/8"	03	-	-				
			04 = 1/2"	-	04	-				
			06 = 3/4"	-	06	-				
			08 = 1"	-	-	08				
			12 = M 12x1,5 (metric only)	12	-	-				
			16 = M 16x1,5 (metric only)	-	16	-				
C	D		FILTER MEDIA				FILTER MEDIA	C	D	
			CD = impregnated cellulose	CD	CD	CD				

INSTALLATION DRAWING



DIMENSIONS

	filtr. µm	flow rate (l/min)	D1	D2	⬡	H1	H2	KG
CBB11M12CD FA 4733.1	10	200	60	M12 X 1,5	17	56	43	0,16
CBB11B03CD FA 4733.1A	10	200	60	3/8" BSP	22	56	43	0,16
CBB11B02CD FA 4733.3	10	200	60	1/4" BSP	22	56	43	0,16
CBB21M16CD FA 4733.2	10	500	82	M16 X 1,5	22	71	53	0,30
CBB21B04CD FA 4733.4	10	500	82	1/2" BSP	24	71	53	0,30
CBB21B06CD FA 4733.4A	10	500	82	3/4" BSP	32	71	53	0,30
CBB31B08CD FA 4733.5	10	500	115	1" BSP	40	100	76	0,30

CFA-TM

ACCESSORIES

ORDERING AND OPTION CHART

C	F	A	COMPLETE FILTER FAMILY				
			SIZE & LENGHT	11	21	22	23
		S	MOUNTING PATTERN				
			S = DIN 24557/2 flange	S	S	S	S
			PRESSURIZATION VALVE				
			W = without	W	W	W	W
			A = 0,35 bar	-	A	A	-
			SEALS				
			C = sugheroil	C	C	C	C
			N = NBR Nitrile (with A option only)	-	N	N	-
			FILTER MEDIA				
			CC = impregnated cellulose	CC	CC	CC	CC
			PE = polyurathan foam	PE	PE	PE	PE
		P	ACCESSORIES				
			P = padlock holder	-	P	P	-

DIMENSIONS

	filtr. µm	flow rate (l/min)	D1	D2	D3	D4	Holes n°	D5	D6	H1	H2
CFA11SWCCC TM150G65	3	150	47	29	52	M5	3	31	41	48	64
CFA11SWCPE TM450G65	10	300	47	29	52	M5	3	31	41	48	64
CFA21SWCCC TM178G78	3	450	80	50	83	M5	6	52	73	57	78
CFA21SWCPE TM478G78	10	750	80	50	83	M5	6	52	73	57	78
CFA22SWCCC TM178G150	3	450	80	50	83	M5	6	52	73	57	148
CFA22SWCPE TM478G150	10	750	80	50	83	M5	6	52	73	57	148
CFA23SWCCC TM178G100	3	450	80	40	83	M5	6	42	73	57	100
CFA23SWCPE TM478G100	10	750	80	40	83	M5	6	42	73	57	100