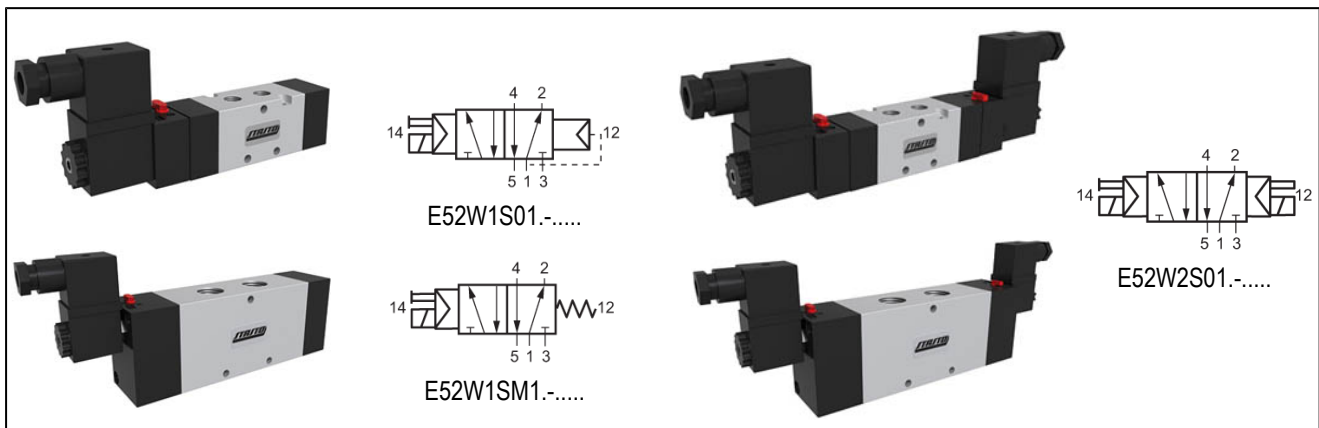


## 5/2-way solenoid valve - pilot-operated 1/8" ...1/2" series E52W

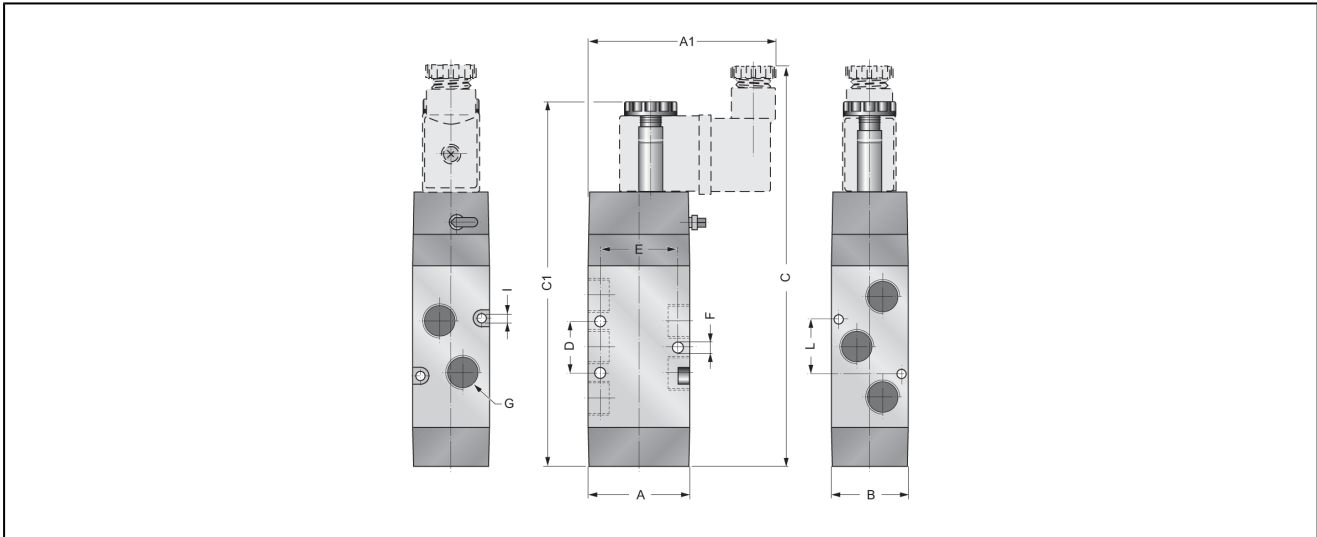


design	5/2-way solenoid valve pilot-operated, actuation electrical/internal control air, electrical/spring respectively electrical/electrical, manual emergency override
connection	G1/8"...G1/2" according to ISO228/1
materials	body aluminum, spool nickel-plated aluminum, seals NBR
type of fixing	through-holes in the valve body
mounting position	any
medium	filtered and lubricated or non lubricated compressed air
medium temperature	0...+40°C
ambient temperature	-10...+50°C
scope of supply	with connector cable inlet M16x1,5 respectively with 3m cable
<b>electrical data:</b>	
type of coil	type MS (standard coil), connector size 22mm type EPC (coil for ATEX areas with cable length of 3m)
standard voltage	230V/50-60Hz, 24V/50-60Hz, 24VDC
special voltage	115V/50-60Hz, 12VDC, more on request
acceptable voltage tolerance	± 10%
consumption	see table "coil"
duty cycle	100% duty cycle (continuous operation)
protection class	IP65 according to EN 60529 by correctly mounted connector (protection against the penetration of dust and jet water)
<b>informations:</b>	
application	please specify voltage and type of current by order technical documents for sub-base: see separate datasheet CAD files are available on the STASTO Store under <a href="http://www.stasto.eu">www.stasto.eu</a>

### type code

actuation electrical/internal control air, electrical/spring				actuation electrical/electrical					
E52W1S	6	0	18	MS -	230V/50-60Hz	E52W2S0	18	MS -	230V/50-60Hz
6 NC	0	electrical/internal control air	18 G1/8"	MS standard coil	230V/50-60Hz	18 G1/8"	MS standard coil	230V/50-60Hz	
9 NO	M	electrical/spring	14 G1/4"	EPC ATEX coil	115V/50-60Hz	14 G1/4"	EPC ATEX coil	115V/50-60Hz	
			12 G1/2"		24V/50-60Hz	12 G1/2"		24V/50-60Hz	
					24VDC			24VDC	
					12VDC			12VDC	

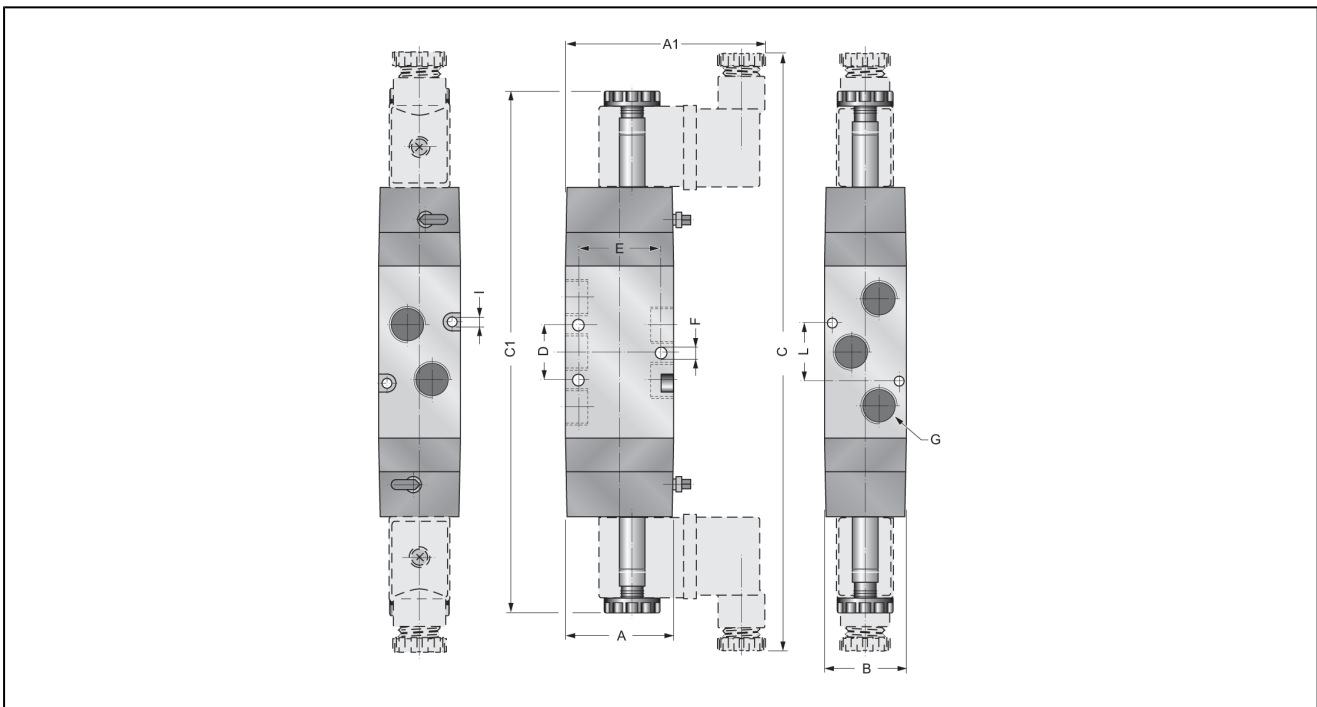
### E52W1S . 1 . - ..... actuation electrical/internal control air respectively electrical/spring



connection G	nominal diameter DN [mm]	pressure range [bar] E52W1S0 / E52W1SM	A	A1	B	C	C1	D	E	F	I	L	flow rate* [Nl/min]	type
G1/8"	6	2,5-10 / 3,2-10	30	63	26	150	136	18	23	4,25	3,25	28,6	650	E52W1S.18
G1/4"	8	2,5-10	40	73	30	158	143	20	30	4,25	3,25	21	1080	E52W1S.14
G1/2"	15	2,5-10	60	60	40	221	207	40	50	5,5	-	-	3500	E52W1S.12

\*reference pressure 6bar, reference temperature 20°C

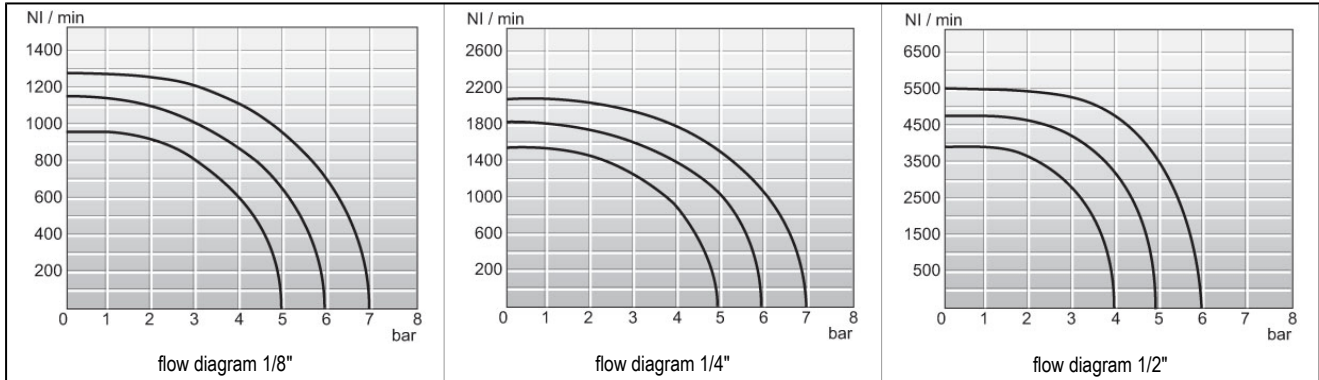
### E52W2S01 . - ..... actuation electrical/electrical




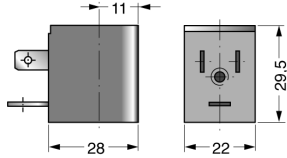
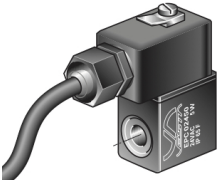
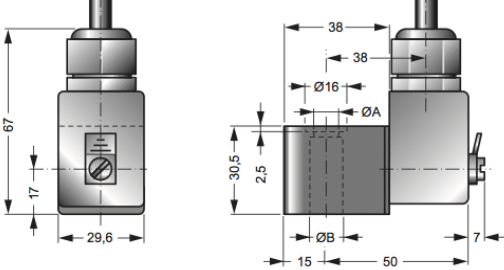
connection G	nominal diameter DN [mm]	pressure range [bar]	A	A1	B	C	C1	D	E	F	I	L	flow rate* [Nl/min]	type
G1/8"	6	1,5-10	30	63	26	215	186	18	23	4,25	3,25	28,6	650	E52W2S018
G1/4"	8	1,5-10	40	73	30	220	191	20	30	4,25	3,25	21	1080	E52W2S014
G1/2"	15	1,5-10	60	60	40	280	252	40	50	5,5	-	-	3500	E52W2S012

\*reference pressure 6bar, reference temperature 20°C

## flow diagram



## coils

		voltage	protection class	consumption at 20 °C	type
		12VDC	IP65	3W	MS01200
		24VDC		3W	MS02400
		24V/50-60Hz		5VA	MS02450
		115V/50-60Hz		5VA	MS11550
		230V/50-60Hz		5VA	MS23050
		24VDC	Ex II 2G Ex mb IIC T5 Gb	3,0W	EPC02400
		24V/50-60Hz		3,2W	EPC02450
		110V/50-60Hz	Ex II 2D Ex mb tb IIIC T95°C IP66 Db	3,2W	EPC11050
		230V/50-60Hz		3,2W	EPC23050

## switching time, nominal max. frequency

connection G	switching time [ms]								nominal max. frequency [Hz]			
	E52W1S01.-MS...				E52W1SM1.-MS...				E52W1S01.-MS...		E52W1SM1.-MS...	
	AC ON	AC from	DC ON	DC from	AC ON	AC from	DC ON	DC from	AC	DC	AC	DC
G1/8"	10	20	17	24	17	21	19	34	29	17	13	13
G1/4"	18	33	21	44	19	35	21	46	16	13	11	11
G1/2"	47	58	49	58	47	60	49	60	11	10	8	8

connection G	switching time [ms]				nominal max. frequency [Hz]	
	E52W2S01.-MS...				E52W2S01.-MS...	
	AC ON	AC from	DC ON	DC from	AC	DC
G1/8"	10,5	10,5	12,5	12,5	31	22
G1/4"	11	11	14	14	27	21
G1/2"	24	24	28	28	14	13

illustrations are for information only and are non-binding  
all designs, configurations, measurements and materials are subject to change without prior notice