



## Shercon® Maskierungsprodukte

Als die Experten für Präzisions-Abdecklösungen bieten die Shercon® Produkte das umfangreichste Angebot von Standardabdeckungen und Maskierungsprodukten. Besondere Problemstellungen können mit individuell auf Maß gefertigten Teilen gelöst werden. Die umfassende Produktpalette bietet einen verlässlichen Schutz während jedem Beschichtungsprozess, sei es bei der Nass- oder Pulverbeschichtung, im KTL Prozess oder beim Eloxieren.

### shercon® masking

As the experts in precision masking solutions, we can offer the most comprehensive range of standard masking devices and in-house custom capabilities with the full Shercon® masking line. Our broad range of parts securely protects your product during any finishing process including painting, powder coating, anodizing, plating and e-coating.

**ULTRA  
BAKE**

Elastisches, wiederverwendbares Silikon Material, empfohlen für Temperaturen bis 600° F / 315° C  
A resilient, reusable silicone material recommended for temperatures up to 600°F.

**FLEX®  
500**

Ein verbrauchsgünstiges Vinyl Material, perfekt für den Einmalverbrauch für Temperaturen bis zu 500° F / 260° C  
An economical vinyl material ideal for one-time use recommended for temperatures up to 500°F.

*Perfekt für Kunden mit Wunsch nach diversen Größen in kleineren Mengen sind die Baukastensets.*

caps

Silicone Caps SC-SH Series

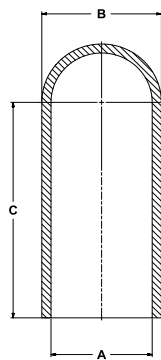


SC-SH Series



Silicone Caps

Ultrabake™ Silicone Caps are designed to mask plain and threaded studs, tube ends and even slotted holes; they will mask off the stud and allow finishing up to it. Recommended for Powder coating, e-coating, plating & anodizing.



- Recommended temperatures up to 600°F (315°C)
• Rugged & durable
• Can stretch to mask larger dimensions
• Reusable

Material: Silicone Color: See chart for color coding
Optional Colors: Clear, White

Note: Caps can also be produced in EPDM 350°F (177°C)

Table with 11 columns: Caplugs No., Color, Fits Thread (Metric, UNC), Dimensions A (In, mm), B (In, mm), C (In, mm), and Packaging (Quantity Per Bag). It lists various cap models like SC37-0500, SC62, SC70, etc.

Table with 11 columns: Caplugs No., Color, Fits Thread (Metric, UNC), Dimensions A (In, mm), B (In, mm), C (In, mm), and Packaging (Quantity Per Bag). It lists various cap models like SC281-0500, SC281, SC295-0500, etc.



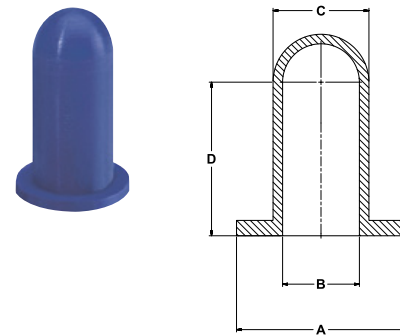
## WC-SH Series

### Silicone Washer Caps

Our Ultrabake™ Silicone Washer Caps are designed to plug plain and threaded holes & studs; they will mask off the hole and leave a circular grounding or earthing area around it. Recommended for Powder coating, e-coating, plating & anodizing.

- Recommended temperatures up to 600°F (315°C)
- Can be used to both cover studs or plug holes
- Washer design eliminates the need for two-stage masking
- Reusable

**Material:** Silicone **Color:** See chart for color coding  
**Optional Colors:** Clear, White



## Silicone Washer Caps WC-SH Series

Caplugs No.	Color	Thread	Dimensions								Packaging Quantity Per Bag
			A		B		C		D		
			In	mm	In	mm	In	mm	In	mm	
WC125-0500	Clear		.500	12.70	.125	3.18	.260	6.60	1.000	25.40	500
WC156-0500	Clear		.500	12.70	.156	3.96	.320	8.13	1.000	25.40	500
WC172-0500	Clear		.500	12.70	.172	4.37	.385	9.78	1.000	25.40	500
WC027-012	Light Green	M3	.472	12.00	.106	2.69	.244	6.20	1.000	25.40	500
WC037-012	Pink	M4	.472	12.00	.146	3.70	.264	6.70	1.000	25.40	500
WC046-015	Clear	M5	.591	15.00	.181	4.60	.323	8.20	1.000	25.40	500
WC056-015	Red	M6	.591	15.00	.220	5.59	.343	8.71	1.000	25.40	500
WC075-018	Black	M8	.709	18.00	.295	7.50	.421	10.70	1.000	25.40	250
WC095-018	Yellow	M10	.820	20.83	.374	9.50	.500	12.70	1.500	38.10	250
WC115-025	Clear	M12	.989	25.12	.453	11.50	.657	16.69	1.500	38.10	250
WC155-031	Purple	M16	1.220	31.00	.610	15.50	.815	20.70	1.500	38.10	250
WC195-038	Grey	M20	1.496	38.00	.768	19.50	.972	24.69	1.500	38.10	250



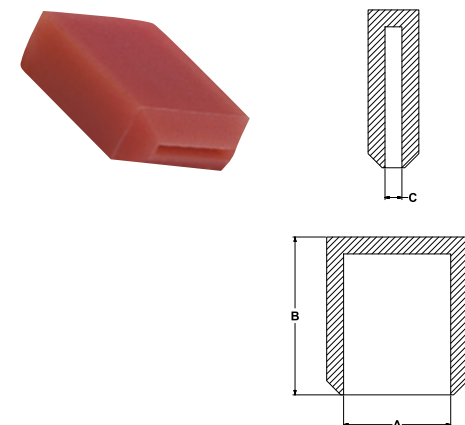
## SRC-SH Series

### Silicone Grounding Caps

Our Ultrabake™ Silicone Grounding Caps are ideal for grounding tabs. The larger sizes of this cap have a tapered opening which allows the coating material to come close to the inside dimensions of the cap.

- Temperatures up to 600°F (315°C)
- Can be used as a plug in small rectangular openings
- Reusable

**Material:** Silicone **Color:** See chart for color coding  
**Optional Colors:** Clear, White



## Silicone Grounding Caps SRC-SH Series

Caplugs No.	Color	Dimensions						Packaging Quantity Per Bag
		A		B		C		
		In	mm	In	mm	In	mm	
SRC-1	Clear	.248	6.30	.394	10.01	.030	.76	1000
SRC-2	Rusty Red	.248	6.30	.456	11.58	.030	.76	1000
SRC-3	Clear	.470	11.94	.374	9.50	.040	1.02	1000
SRC-4	Yellow	.460	11.68	.280	7.11	.035	.89	1000
SRC-5	Pink	.490	12.45	.687	17.45	.047	1.19	1000

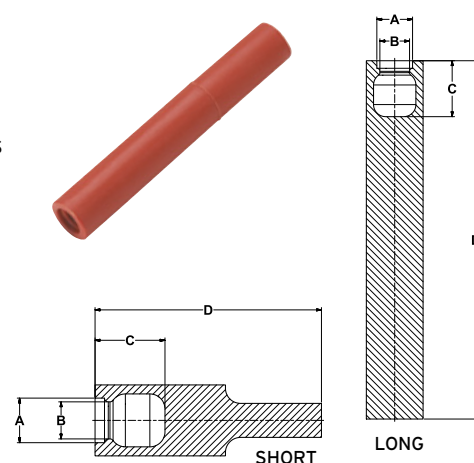
## ZC-SH Series

### Zerk Caps

Our Zerk Caps are designed specifically to mask Zerk fittings; they will mask off the fitting and allow finishing up to it. Available with either a short handle or with an extended handle, which eases installation and facilitates removal from hard-to-reach spaces. Recommended for Powder coating, e-coating, plating & anodizing.

- Recommended temperatures up to 600°F (315°C) or 350°F (177°C)
- Reusable

**Material:** Silicone & Neoprene **Color:** See chart for color coding



## Zerk Caps ZC-SH Series

Caplugs No.	Material	Color	Dimensions								Packaging Quantity Per Bag
			A		B		C		D		
			In	mm	In	mm	In	mm	In	mm	
ZC-S	Ultrabake™	Blue	.232	5.89	.193	4.90	.364	9.25	1.179	29.95	500
ZC-L	Ultrabake™	Rusty Red	.232	5.89	.193	4.90	.364	9.25	2.333	59.26	250
ZC-S-N	Neoprene	Green	.232	5.89	.193	4.90	.364	9.25	1.179	29.95	500
ZC-L-N	Neoprene	Green	.232	5.89	.193	4.90	.364	9.25	2.333	59.26	250



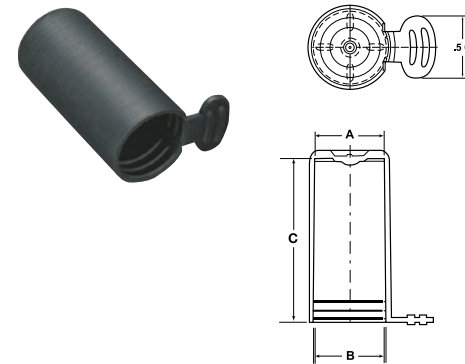
## HJS Series

### Flexible Tear-Tab Caps

Designed to be ergonomically friendly with a soft, flexible feel and a finger grip, making installation and removal of the cap quick and easy. Caps maintain their flexibility after masking processes giving you the option of removing after processing, or leaving on as shipping protection and allowing the end-user to remove it. Ideal for masking applications during painting, plating and powder coating operations.

**Material:** Flex500® **Color:** Black

**Note:** For low temperature vinyl, please refer to JS Series.



## Flexible Tear-Tab Caps HJS Series

Caplugs No.	Dimensions						Packaging	
	A		B		C		Carton Quantity	Mini Pak Quantity
	In	mm	In	mm	In	mm		
HJS-582L	.557	14.15	.604	15.34	1.330	33.78	3000	600
HJS-625L	.609	15.47	.601	15.27	1.240	31.50	4000	800



## HCR Series

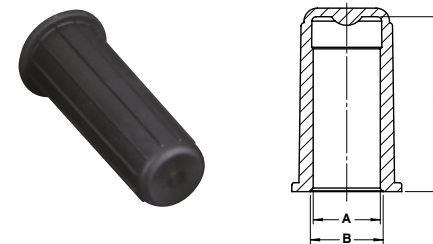
### High-Temperature Caps

HCR Series caps are temperature-resistant to protect up to and beyond 500°F. These sleeves were developed to mask and protect copper tubing during high-temperature masking processes. These caps were designed with exterior ribs to aid in removal and installation. A slightly flared open-end allows them to be easily pushed onto the application.

• Can withstand temperatures 500°F (260°C)

**Material:** Flex500® **Color:** Black

**Note:** Additional sizes available - visit [www.caplugs.com](http://www.caplugs.com)



## High-Temperature Caps HCR Series

Caplugs No.	Dimensions						Packaging	
	A		B		C		Carton Quantity	Mini Pak Quantity
	In	mm	In	mm	In	mm		
HCR-320-20	.277	7.04	.320	8.13	1.28	32.51	5000	1000
HCR-450-32	.412	10.46	.450	11.43	2.03	51.56	2000	400
HCR-580-32	.540	13.72	.580	14.73	2.06	52.32	1000	200
HCR-510-18	.470	11.94	.510	12.95	1.23	31.24	2000	400
HCR-700-32	.660	16.76	.700	17.78	2.13	54.10	1000	200
HCR-375-8	.404	10.26	.520	13.21	.50	12.70	5000	1000
HCR-375-14	.404	10.26	.520	13.21	.86	21.84	5000	1000
HCR-820-32	.780	19.81	.820	20.83	2.13	54.10	500	100
HCR-1060-44	1.015	25.78	1.060	26.92	2.81	71.37	300	60
HCR-1330-44	1.285	32.64	1.330	33.78	2.75	69.85	300	60
HCR-1510-44	1.484	37.69	1.510	38.35	2.75	69.85	300	60
HCR-1630-48	1.560	39.63	1.630	41.40	3.06	77.72	300	60







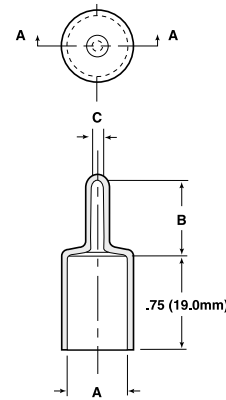
## HEZ Series

### Flexible Caps with Pull-Tab for Easy Removal

HEZ series caps feature an extra long tab centered at the top of the closure which allows the cap to be finger-removed easily, eliminating the use of tools which could damage threads or part surfaces. Ideal for masking applications during painting, plating and powder coating operations.

**Material:** Flex500® **Color:** Black **Optional Color:** Yellow

**Note:** For low temperature vinyl, please refer to EZ Series.



† Mini and Micro Paks available in standard color.  
‡ Minimum order for Micro Paks is 2.

### Flexible Caps with Pull-Tab for Easy Removal HEZ Series

Caplugs No.	Dimensions						Packaging		
	A		B		C		Carton Quantity	Mini Pak† Quantity	Micro Pak‡ Quantity
	In	mm	In	mm	In	mm			
HEZ-187-12	.187	4.74	.500	12.70	.093	2.36	5000	n/a	n/a
HEZ-215-12	.215	5.46	.500	12.70	.093	2.36	5000	n/a	n/a
HEZ-240-12	.240	6.09	.625	15.87	.125	3.17	4000	800	50
HEZ-303-12	.303	7.69	.625	15.87	.125	3.17	4000	800	50
HEZ-365-12	.365	9.27	.625	15.87	.125	3.17	3500	700	50
HEZ-386-12	.386	9.80	.625	15.87	.125	3.17	4000	n/a	n/a
HEZ-406-12	.406	10.31	.625	15.87	.125	3.17	4000	n/a	n/a
HEZ-427-12	.427	10.84	.625	15.87	.125	3.17	3000	n/a	n/a
HEZ-460-12	.460	11.68	.500	12.70	.100	2.54	2500	n/a	n/a
HEZ-490-12	.490	12.44	.687	17.44	.125	3.17	2500	500	50
HEZ-521-12	.521	13.23	.625	15.88	.125	3.17	2500	n/a	n/a
HEZ-552-12	.552	14.02	.687	17.44	.125	3.17	2000	500	50
HEZ-600-12	.600	15.24	.812	20.62	.187	4.75	2000	n/a	n/a
HEZ-615-12	.615	15.62	.687	17.44	.125	3.17	2000	400	50
HEZ-655-12	.655	16.63	.875	22.22	.187	4.75	2000	n/a	n/a
HEZ-670-12	.670	17.02	.800	20.32	.190	4.83	2000	n/a	n/a
HEZ-677-12	.677	17.19	.812	20.62	.187	4.75	2000	n/a	n/a
HEZ-695-12	.695	17.65	.812	20.62	.187	4.75	1500	n/a	n/a
HEZ-735-12	.735	18.66	.812	20.62	.187	4.74	1500	300	25
HEZ-760-12	.760	19.30	.800	20.32	.190	4.83	2000	n/a	n/a
HEZ-797-12	.797	20.24	.812	20.62	.187	4.75	1500	n/a	n/a
HEZ-835-12	.835	21.20	.843	21.41	.187	4.74	1500	n/a	n/a
HEZ-860-12	.860	21.84	.843	21.41	.187	4.74	1500	300	25
HEZ-922-12	.922	23.41	.875	22.22	.187	4.74	1000	n/a	n/a
HEZ-985-12	.985	25.01	.875	22.22	.187	4.74	1000	250	25
HEZ-1048-12	1.048	27.53	1.000	25.40	.187	4.74	1000	n/a	n/a
HEZ-1110-12	1.110	28.19	1.125	28.58	.187	4.74	1000	n/a	n/a
HEZ-1175-12	1.175	29.85	.750	19.05	.325	8.26	1000	n/a	n/a
HEZ-1230-12	1.230	31.24	1.125	28.58	.187	4.74	900	n/a	n/a
HEZ-1355-12	1.355	34.41	1.125	28.58	.250	6.35	800	n/a	n/a
HEZ-1480-12	1.480	37.59	1.000	25.40	.250	6.35	800	n/a	n/a



## HFC Series

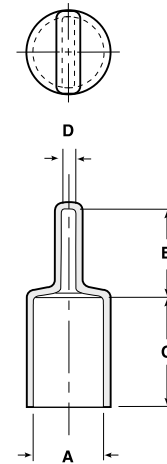
### Flexible Caps with Flat Pull-Tab for Easy Removal

HFC Series caps have a long flat tab centered at the top of the closure which allows easy removal of the cap.

- Can withstand temperatures 500°F (260°C)

**Material:** Flex500® **Color:** Black **Optional Color:** Yellow

**Note:** For low temperature vinyl, please refer to VFC Series.



† Mini and Micro Paks available in standard color.  
‡ Minimum order for Micro Paks is 2.

## Flexible Caps with Flat Pull-Tab for Easy Removal HFC Series

Caplugs No.	Dimensions								Packaging		
	A		B		C		D		Carton Quantity	Mini Pak† Quantity	Micro Pak‡ Quantity
	In	mm	In	mm	In	mm	In	mm			
HFC-180-8	.180	4.57	.500	12.70	.500	12.70	.062	1.57	5000	n/a	n/a
HFC-180-16	.180	4.57	.500	12.70	1.000	25.40	.062	1.57	5000	1000	100
HFC-207-8	.207	5.25	.625	15.88	.500	12.70	.125	3.18	5000	n/a	n/a
HFC-207-16	.207	5.25	.625	15.88	1.000	25.40	.125	3.18	5000	n/a	n/a
HFC-240-8	.240	6.09	.625	15.88	.500	12.70	.125	3.18	5000	n/a	n/a
HFC-240-16	.240	6.09	.625	15.88	1.000	25.40	.125	3.18	5000	n/a	n/a
HFC-302-8	.302	7.67	.625	15.88	.500	12.70	.125	3.18	4000	n/a	n/a
HFC-302-16	.302	7.67	.625	15.88	1.000	25.40	.125	3.18	4000	n/a	n/a
HFC-365-8	.365	9.27	.625	15.88	.500	12.70	.125	3.18	5000	n/a	n/a
HFC-365-12	.365	9.27	.625	15.88	.750	19.05	.125	3.18	3000	n/a	n/a
HFC-365-16	.365	9.27	.625	15.88	1.000	25.40	.125	3.18	2500	n/a	n/a
HFC-396-8	.396	10.05	.625	15.88	.500	12.70	.125	3.18	3000	n/a	n/a
HFC-396-16	.396	10.05	.625	15.88	1.000	25.40	.125	3.18	3000	n/a	n/a
HFC-410-8	.410	10.41	.687	17.45	.500	12.70	.125	3.18	3000	n/a	n/a
HFC-410-16	.410	10.41	.687	17.45	1.000	25.40	.125	3.18	2000	400	50
HFC-427-8	.427	10.84	.625	15.88	.500	12.70	.125	3.18	3000	n/a	n/a
HFC-427-16	.427	10.84	.625	15.88	1.000	25.40	.125	3.18	2500	500	50
HFC-470-8	.470	11.93	.625	15.88	.500	12.70	.125	3.18	2000	n/a	n/a
HFC-470-16	.470	11.93	.625	15.88	1.000	25.40	.125	3.18	2000	n/a	n/a
HFC-490-8	.490	12.44	.625	15.88	.500	12.70	.125	3.18	2500	n/a	n/a
HFC-490-16	.490	12.44	.625	15.88	1.000	25.40	.125	3.18	1500	n/a	n/a
HFC-521-8	.521	13.23	.625	15.88	.500	12.70	.125	3.18	2000	n/a	n/a
HFC-521-16	.521	13.23	.625	15.88	1.000	25.40	.125	3.18	1500	300	50
HFC-552-8	.552	14.02	.687	17.45	.500	12.70	.125	3.18	3000	n/a	n/a
HFC-552-12	.552	14.02	.687	17.45	.750	19.05	.125	3.18	2000	n/a	n/a
HFC-552-16	.552	14.02	.687	17.45	1.000	25.40	.125	3.18	1500	n/a	n/a
HFC-590-8	.590	14.98	.625	15.88	.500	12.70	.125	3.18	1500	n/a	n/a
HFC-590-16	.590	14.98	.625	15.88	1.000	25.40	.125	3.18	1500	300	50
HFC-615-8	.615	15.62	.687	17.45	.500	12.70	.125	3.18	2000	n/a	n/a
HFC-615-16	.615	15.62	.687	17.45	1.000	25.40	.125	3.18	2000	n/a	n/a
HFC-677-8	.677	17.19	.687	17.45	.500	12.70	.125	3.18	1000	n/a	n/a
HFC-677-16	.677	17.19	.687	17.45	1.000	25.40	.125	3.18	1000	200	25
HFC-735-8	.735	18.66	.812	20.63	.500	12.70	.187	4.75	1000	n/a	n/a
HFC-735-12	.735	18.66	.812	20.63	.750	19.05	.187	4.75	1250	n/a	n/a
HFC-735-16	.735	18.66	.812	20.63	1.000	25.40	.187	4.75	1000	n/a	n/a
HFC-797-8	.797	20.24	.812	20.63	.500	12.70	.187	4.75	900	n/a	n/a
HFC-797-16	.797	20.24	.812	20.63	1.000	25.40	.187	4.75	900	180	20
HFC-865-8	.865	21.97	.843	21.41	.500	12.70	.187	4.75	1000	n/a	n/a
HFC-865-16	.865	21.97	.843	21.41	1.000	25.40	.187	4.75	2500	n/a	n/a
HFC-990-8	.990	25.14	.875	22.23	.500	12.70	.187	4.75	600	n/a	n/a
HFC-990-16	.990	25.14	.875	22.23	1.000	25.40	.187	4.75	600	120	20
HFC-1230-16	1.230	31.24	1.125	28.58	1.000	25.40	.187	4.75	500	n/a	n/a
HFC-1230-24	1.230	31.24	1.125	28.58	1.500	38.10	.187	4.75	500	n/a	n/a
HFC-1605-16	1.605	40.76	1.250	31.75	1.000	25.40	.250	6.35	400	n/a	n/a
HFC-1605-24	1.605	40.76	1.250	31.75	1.500	38.10	.250	6.35	400	n/a	n/a





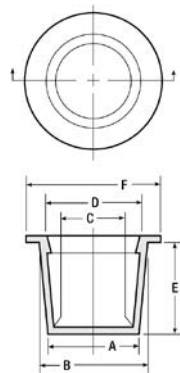
## TS Series

### Tapered Silicone Caps & Plugs

The TS series offers all the versatility of our traditional tapers with the added resilience of silicone. Ideal for use in masking applications that require temperature and corrosion resistance.

- Flexible
  - Easy to install and remove
  - Temperature resistant up to 600°F (315°C)
- Available in two durometers:
- 70 Red has a more structured, rigid feel
  - 45 Natural offers extreme flexibility

**Material:** Silicone **Color:** Red and Natural



## Tapered Silicone Caps & Plugs TS Series

Caplugs No.	Dimensions												Packaging	
	A		B		C		D		E		F		Carton Quantity	Mini Pak Quantity
	In	mm	In	mm	In	mm	In	mm	In	mm	In	mm		
TS-00	.116	2.95	.182	4.62	.053	1.35	.120	3.05	.380	9.65	.330	8.38	5000	1000
TS-0	.173	4.39	.240	6.10	0.111	2.82	.177	4.50	.380	9.65	.400	10.16	5000	1000
TS-1	.240	6.10	.295	7.49	.174	4.42	.240	6.10	.380	9.65	.460	11.68	5000	1000
TS-2	.299	7.59	.365	9.27	.235	5.97	.302	7.67	.380	9.65	.520	13.21	5000	1000
TS-3	.361	9.17	.418	10.62	.298	7.57	.365	9.27	.380	9.65	.580	14.73	5000	1000
TS-4	.419	10.64	.485	12.32	.356	9.04	.422	10.72	.380	9.65	.650	16.51	5000	1000
TS-5	.471	11.96	.536	13.61	.409	10.39	.485	12.32	.440	11.18	.710	18.03	5000	1000
TS-6	.532	13.51	.608	15.44	.468	11.89	.545	13.84	.440	11.18	.770	19.56	5000	1000
TS-7	.580	14.73	.667	16.94	.518	13.16	.605	15.37	.500	12.70	.830	21.08	5000	1000
TS-8	.640	16.26	.727	18.47	.578	14.68	.664	16.87	.500	12.70	.900	22.86	5000	1000
TS-9	.690	17.53	.788	20.02	.628	15.95	.726	18.44	.560	14.22	.960	24.38	5000	1000
TS-10	.750	19.05	.848	21.54	.687	17.45	.785	19.94	.560	14.22	1.020	25.91	5000	1000
TS-11	.802	20.37	.911	23.14	.740	18.80	.849	21.56	.630	16.00	1.080	27.43	5000	1000
TS-12	.866	22.00	.975	24.77	.803	20.40	.912	23.16	.630	16.00	1.150	29.21	5000	1000
TS-13	.964	24.49	1.090	27.69	.901	22.89	1.027	26.09	.750	19.05	1.270	32.26	2500	500
TS-14	1.094	27.79	1.215	30.86	1.031	26.19	1.152	29.26	.750	19.05	1.430	36.32	2500	500
TS-15	1.224	31.09	1.355	34.42	1.161	29.49	1.292	32.82	.750	19.05	1.520	38.61	2500	500
TS-16	1.312	33.32	1.465	37.21	1.249	31.72	1.402	35.61	.880	22.35	1.650	41.91	1000	200
TS-17	1.447	36.75	1.600	40.64	1.384	35.15	1.537	39.04	.880	22.35	1.770	44.96	1000	200
TS-18	1.560	39.62	1.682	42.72	1.498	38.05	1.620	41.15	.750	19.05	1.900	48.26	1000	200
TS-19	1.750	44.45	1.880	47.75	1.688	42.88	1.818	46.18	.750	19.05	2.020	51.31	1000	200
TS-20	1.780	45.21	1.950	49.53	1.718	43.64	1.888	47.96	1.000	25.40	2.150	54.61	1000	200
TS-21	1.900	48.26	2.076	52.73	1.837	46.66	2.013	51.13	1.000	25.40	2.270	57.66	1000	200
TS-23	2.035	51.69	2.210	56.13	1.976	50.19	2.153	54.69	1.000	25.40	2.360	59.94	1000	200
TS-24	2.255	57.28	2.430	61.72	2.196	55.78	2.373	60.27	1.000	25.40	2.580	65.53	1000	200
TS-42	2.525	64.14	2.700	68.58	2.466	62.64	2.643	67.13	1.000	25.40	2.850	72.39	1000	200
TS-46	2.765	70.23	2.940	74.68	2.706	68.73	2.883	73.23	1.000	25.40	3.090	78.49	1000	200



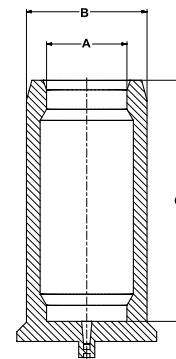
## UVCP-SH Series

### Silicone Venting Cap-Plug

Ultrabake™ Venting Cap Plugs are designed to mask plain and threaded studs or holes; there is a small nipple on the top of the mask which can easily be punctured or removed to form the small vent. Recommended for Powder coating, e-coating, plating & anodizing.

- Recommended temperatures up to 600°F (315°C)
- Internal lip on the open end provides a positive seal to prevent paint and other contaminants from seeping onto the part
- Flanged head enables the cap to be manually removed with ease
- Masks off the hole or stud and allow trapped air to escape from inside the cap through the vent
- Reusable

**Material:** Silicone **Color:** See chart for color coding



## Silicone Venting Cap-Plug UVCP-SH Series

Caplugs No.	Color	Dimensions						Packaging	
		A		B		C		Quantity Per Bag	
		In	mm	In	mm	In	mm		
UVCP234	Yellow	.234	5.94	.450	11.43	1.000	25.40	250	
UVCP355	Green	.355	9.02	.565	14.35	1.500	38.10	250	
UVCP500	Blue	.500	12.70	.750	19.05	1.500	38.10	100	
UVCP1000	Rusty Red	1.000	25.40	1.250	31.75	1.500	38.10	50	



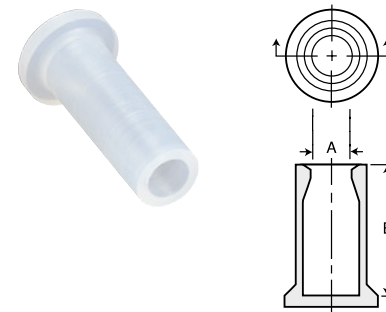
## SFC Series

### Silicone Flange Caps

Series SFC Flange Caps feature a design which simplifies the application and removal of the cap. An internal lip on the open end provides a positive seal to prevent paint and other contaminants from seeping onto the part. A flanged head enables the cap to be manually removed with ease. Some sizes have provisions for venting air which keeps the part from unseating during high temperature processes.

- Temperature resistant up to 600°F (315°C)

**Material:** Silicone **Color:** Natural



## Silicone Flange Caps SFC Series

Caplugs No.	Dimensions				Packaging	
	A		B		Carton Quantity	Mini Pak Quantity
	In	mm	In	mm		
SFC-157-19	.157	3.99	1.180	29.97	500	100
SFC-187-22	.187	4.75	1.377	34.98	500	100
SFC-234-32	.234	5.94	2.000	50.80	500	100
SFC-294-21	.294	7.47	1.330	33.78	500	100
SFC-315-16	.315	8.00	.974	24.74	250	50
SFC-375-23	.375	9.53	1.421	36.09	100	20
SFC-438-15	.438	11.13	.950	24.13	100	20
SFC-608-19	.608	15.44	1.180	29.97	100	20

## PTC Series

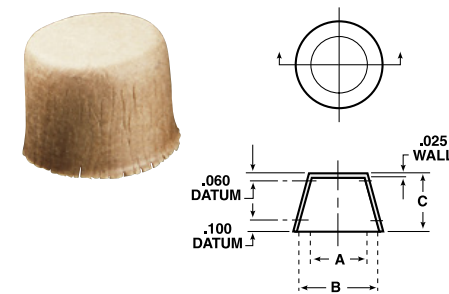
### Tapered Paper Caps

Manufactured from natural paper which is 100% recyclable, PTC Series paper tapered caps are the answer for applications requiring environmentally friendly components. The special paper used in the manufacture of paper caps is formulated from a blend of 90% virgin pulp and 10% post-consumer recycled paper. These closures will withstand temperatures up to 400°F (204°C), making them ideal for high-temperature application.

- Made from recycled material
- 100% recyclable

**Material:** 90 lb. paperboard **Color:** Brown

**Note:** Products are manufactured from paper which is hygroscopic. This means that there may be minor dimensional variation with changes in relative humidity.



## Tapered Paper Caps PTC Series

Caplugs No.	Pipe Size Inches	Dimensions						Packaging	
		A		B		C		Carton Quantity	Mini Pak Quantity
		In	mm	In	mm	In	mm		
PTC-S-26-3	1/8	.35	8.89	.40	10.16	.40	10.16	25000	1000
PTC-S-41-3	1/4	.47	11.94	.49	12.45	.53	13.46	12000	1000
PTC-S-24-3	3/8	.65	16.51	.65	16.51	.52	13.21	16000	1000
PTC-S-27-3	1/2	.78	19.81	.83	21.08	.77	19.56	7000	1000
PTC-S-10-3	1	1.27	32.26	1.26	32.00	1.00	25.40	3300	660
PTC-S-35-3	3/4	.95	24.13	1.08	27.43	.89	22.61	4000	800
PTC-S-51-3X	1-1/4	1.62	41.15	1.69	42.93	.85	21.59	2700	540
PTC-S-98-3	1-1/2	1.83	46.48	1.89	48.00	.94	23.88	1800	360
PTC-S-52-3	2	2.33	59.18	2.34	59.44	.87	22.10	1400	280
PTC-S-67-3X	2-1/2	2.83	71.88	2.85	72.39	.97	24.64	800	160
PTC-S-25-3	3	3.32	84.33	3.63	92.20	1.12	28.45	500	100

## PSC Series

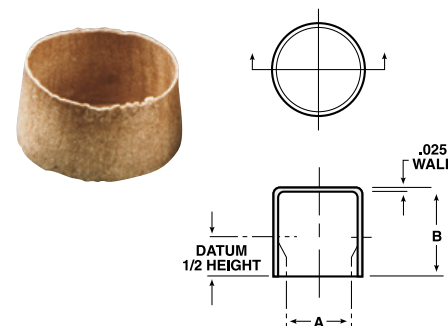
### Straight Paper Caps for Flared Tube Fittings

Manufactured from natural paper which is 100% recyclable, PSC Series paper straight caps are the answer for applications requiring environmentally friendly components. The special paper used in the manufacture of paper caps is formulated from a blend of 90% virgin pulp and 10% post-consumer recycled paper. These closures will withstand temperatures up to 400°F (204°C), making them ideal for high-temperature application.

- Made from recycled material
- 100% recyclable

**Material:** 90 lb. paperboard **Color:** Brown

**Note:** Products are manufactured from paper which is hygroscopic. This means that there may be minor dimensional variation with changes in relative humidity.



## Straight Paper Caps for Flared Tube Fittings PSC Series

Caplugs No.	Flared Tube Fitting Inches	Dimensions						Packaging	
		Tube O.D.		A		B		Carton Quantity	Mini Pak Quantity
		In	mm	In	mm	In	mm		
PSC-S-11-3	1/8	5/16	7.94	.30	7.62	.37	9.40	22000	1000
PSC-S-26-3	3/16	3/8	9.53	.35	8.89	.38	9.65	25000	1000
PSC-S-29-3	1/4	7/16	11.11	.42	10.67	.45	11.43	18000	1000
PSC-S-41-3	5/16	1/2	12.70	.47	11.94	.51	12.95	12500	1000
PSC-S-34-3	3/8	5/8	15.88	.60	15.24	.53	13.46	8000	1000
PSC-S-30-3	1/2	3/4	19.05	.72	18.29	.68	17.27	8500	1000
PSC-S-47-3	5/8	7/8	22.23	.81	20.57	.82	20.83	5500	1000
PSC-S-35-3	3/4	1	25.40	.96	24.38	.86	21.84	4000	800
PSC-S-5-3X	1	1-1/4	31.75	1.21	30.73	1.00	25.40	3400	600
PSC-S-64-3	1-1/4	1-5/8	41.28	1.54	39.12	1.20	30.48	1800	360
PSC-S-98-3X	1-1/2	1-7/8	47.63	1.83	46.48	.91	23.11	1800	360



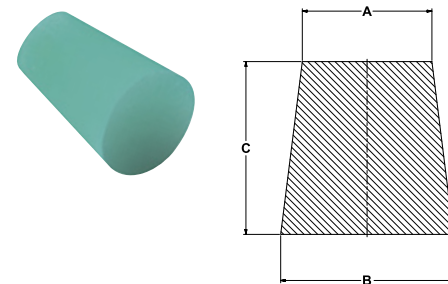
## UP-SH Series

### Silicone Plugs

Our Ultrabake™ Silicone Plugs are designed to plug plain and threaded holes; they will mask off the hole and allow finishing up to it. Recommended for Powder coating, e-coating, plating & anodizing.

- Recommended temperatures up to 600°F (315°C)
- Tapered to fit into a range of hole sizes
- Reusable

**Material:** Silicone **Color:** See chart for color coding  
**Optional Colors:** Clear, White



## Silicone Plugs UP-SH Series

Caplugs No.	Color	Dimensions						Packaging Quantity Per Bag
		A		B		C		
		In	mm	In	mm	In	mm	
UP99-04	Clear	.031	0.79	.125	3.18	.625	15.88	1000
UP100-04	Light Green	.063	1.60	.125	3.18	.625	15.88	1000
UP101-04	Pink	.063	1.60	.188	4.78	.625	15.88	1000
UP102-04	Black	.125	3.18	.250	6.35	.750	19.05	1000
UP103-04	Dark Red	.188	4.78	.344	8.74	.625	15.88	1000
UP104-04	Yellow	.250	6.35	.375	9.53	.750	19.05	100
UP105-04	White	.250	6.35	.375	9.53	.500	12.70	100
UP000-04	Clear	.344	8.74	.500	12.70	.813	20.65	100
UP00-04	Purple	.406	10.31	.594	15.09	1.000	25.40	100
UP108-04	Light Green	.438	11.13	.625	15.88	.875	22.23	100
UP0-04	Pink	.500	12.70	.656	16.66	1.000	25.40	100
UP1-04	Black	.563	14.30	.750	19.05	1.000	25.40	100
UP2-04	Red	.625	15.88	.781	19.84	1.000	25.40	100
UP3-04	Yellow	.719	18.26	.938	23.83	1.000	25.40	100
UP4-04	Clear	.750	19.05	1.000	25.40	1.000	25.40	100
UP5-04	Light Green	.906	23.01	1.063	27.00	1.000	25.40	100
UP6-04	Dark Green	1.031	26.19	1.250	31.75	1.000	25.40	100
UP7-04	Light Blue	1.188	30.18	1.438	36.53	1.000	25.40	50
UP8-04	Clear	1.313	33.35	1.625	41.28	1.000	25.40	25
UP9-04	Red	1.469	37.31	1.750	44.45	1.000	25.40	25
UP10-04	Clear	1.625	41.28	1.969	50.01	1.000	25.40	25
UP11-04	Dark Blue	1.875	47.63	2.203	55.96	1.000	25.40	25
UP12-04	Red	2.125	53.98	2.500	63.50	1.000	25.40	25



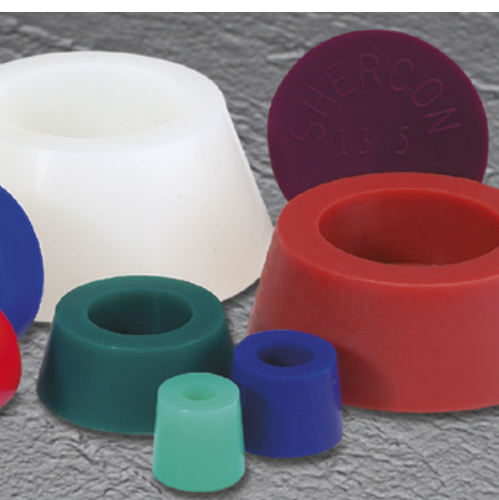
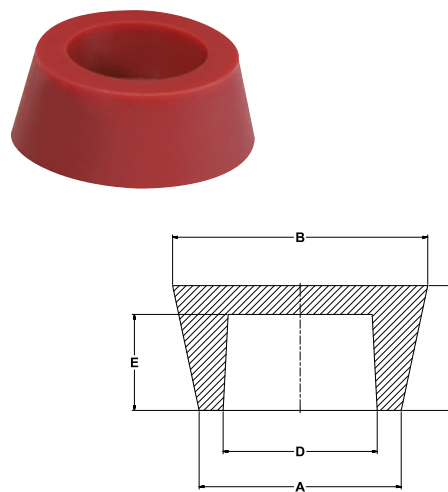
## HUP-SH Series

### Hollow Silicone Plugs

HUP-SH Series Hollow Ultrabake™ Plugs are designed to plug plain and threaded holes; they will mask off the hole and allow finishing up to it. Recommended for Powder coating, e-coating, plating & anodizing.

- Recommended temperatures up to 600°F (315°C)
- Hollow to make it lighter and more conforming
- Tapered to fit into a range of hole sizes
- Reusable

**Material:** Silicone **Color:** See chart for color coding  
**Optional Colors:** Clear, White



## Hollow Silicone Plugs HUP-SH Series

Caplugs No.	Color	Dimensions										Packaging Quantity Per Bag
		A		B		C		D		E		
		In	mm	In	mm	In	mm	In	mm	In	mm	
HUP5-04	Light Green	.906	23.01	1.063	27.00	1.000	25.40	.406	10.31	.750	19.05	100
HUP5.5-04	Pink	.959	24.36	1.109	28.17	1.000	25.40	.470	11.94	.700	17.78	100
HUP6-04	Dark Green	1.031	26.19	1.250	31.75	1.000	25.40	.531	13.49	.750	19.05	100
HUP6.5-04	Yellow	1.125	28.58	1.344	34.14	1.000	25.40	.600	15.24	.750	19.05	100
HUP7-04	Dark Blue	1.187	30.15	1.437	36.50	1.000	25.40	.531	13.49	.750	19.05	100
HUP7.5-04	White	1.187	30.15	1.500	38.10	1.000	25.40	.680	17.27	.750	19.05	100
HUP8-04	Light Blue	1.313	33.35	1.625	41.28	1.000	25.40	.813	20.65	.750	19.05	100
HUP8.5-04	Pink	1.406	35.71	1.688	42.88	1.000	25.40	.900	22.86	.750	19.05	100
HUP9-04	Red	1.469	37.31	1.750	44.45	1.000	25.40	.969	24.61	.750	19.05	100
HUP9.5-04	Dark Green	1.500	38.10	1.813	46.05	1.000	25.40	1.000	25.40	.750	19.05	50
HUP10-04	Clear	1.625	41.28	1.969	50.01	1.000	25.40	1.125	28.58	.750	19.05	50
HUP10.5-04	Yellow	1.750	44.45	2.080	52.83	1.000	25.40	1.200	30.48	.750	19.05	50
HUP11-04	Dark Blue	1.875	47.63	2.203	55.96	1.000	25.40	1.375	34.93	.750	19.05	50
HUP11.5-04	Dark Green	2.000	50.80	2.469	62.71	1.000	25.40	1.250	31.75	.625	15.88	50
HUP12-04	Red	2.126	54.00	2.500	63.50	1.000	25.40	1.375	34.93	.625	15.88	50
HUP13-04	Light Blue	2.281	57.94	2.687	68.25	1.000	25.40	1.531	38.89	.625	15.88	50
HUP13.5-04	Purple	2.437	61.90	2.953	75.01	1.375	34.93	1.687	42.85	1.000	25.40	50
HUP13.7-04	Light Green	2.677	68.00	3.228	81.99	1.500	38.10	1.677	42.60	1.000	25.40	10
HUP14-04	White	3.000	76.20	3.500	88.90	1.500	38.10	2.000	50.80	1.000	25.40	10
HUP15-04	Rusty Red	3.250	82.55	4.000	101.60	1.500	38.10	2.250	57.15	1.000	25.40	10
HUP16-04	Clear	3.500	88.90	5.000	127.00	2.000	50.80	2.500	63.50	1.500	38.10	5



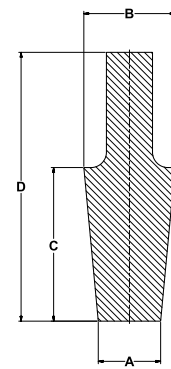
## UPH-SH Series

### Silicone Plugs with Handles

Our Ultrabake™ Silicone Plugs with handles are designed to plug plain and threaded holes; they will mask off the hole and allow finishing up to it. The plugs have a handle to ease and speed up insertion and removal. Recommended for Powder coating, e-coating, plating & anodizing.

- Recommended temperatures up to 600°F (315°C)
- Tapered to fit into a range of hole sizes
- Reusable

**Material:** Silicone **Color:** See chart for color coding



## Silicone Plugs with Handles UPH-SH Series

Caplugs No.	Color	Dimensions								Packaging Quantity Per bag
		A		B		C		D		
		In	mm	In	mm	In	mm	In	mm	
UP99-H	Clear	.031	.79	.125	3.18	.625	15.88	1.000	25.40	1000
UP100-H	Light Green	.063	1.60	.125	3.18	.625	15.88	1.000	25.40	1000
UP101-H	Pink	.063	1.60	.188	4.78	.625	15.88	1.130	28.70	1000
UP102-H	Black	.125	3.18	.250	6.35	.750	19.05	1.250	31.75	1000
UP103-H	Dark Red	.188	4.78	.344	8.74	.625	15.88	1.130	28.70	1000
UP104-H	Yellow	.250	6.35	.375	9.53	.750	19.05	1.250	31.75	100
UP105-H	White	.250	6.35	.375	9.53	.500	12.70	1.000	25.40	100
UP00-H	Purple	.406	10.31	.594	15.09	1.000	25.40	1.750	44.45	100
UP108-H	Light Green	.438	11.13	.625	15.88	.875	22.23	1.625	41.28	100
UP0-H	Pink	.500	12.70	.656	16.66	1.000	25.40	1.750	44.45	100
UP2-H	Red	.625	15.88	.781	19.84	1.000	25.40	1.750	44.45	100
UP3-H	Yellow	.719	18.26	.938	23.83	1.000	25.40	1.750	44.45	100
UP4-H	Clear	.750	19.05	1.000	25.40	1.000	25.40	1.750	44.45	100



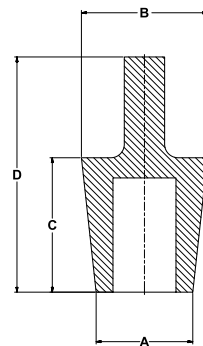
## HUPH-SH Series

### Hollow Silicone Plugs with Handles

HUPH-SH series hollow Ultrabake™ plugs with handles plug plain and threaded holes. The plugs have a handle to ease and speed up insertion and removal. Recommended for powder coating, e-coating, plating & anodizing.

- Recommended temperatures up to 600°F (315°C)
- Hollow to make it lighter and more conforming
- Tapered to fit into a range of hole sizes
- Reusable

**Material:** Silicone **Color:** See chart for color coding

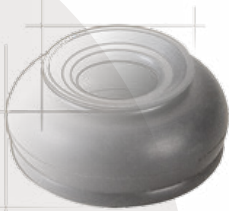


## Hollow Silicone Plugs with Handles HUPH-SH Series

Caplugs No.	Color	Dimensions								Packaging Quantity Per bag
		A		B		C		D		
		In	mm	In	mm	In	mm	In	mm	
HUP5-H	Light Green	.906	23.01	1.063	27.00	1.000	25.40	1.750	44.45	100
HUP6-H	Dark Green	1.031	26.19	1.250	31.75	1.000	25.40	1.750	44.45	100
HUP7-H	Dark Blue	1.187	30.15	1.437	36.50	1.000	25.40	1.750	44.45	50
HUP10-H	Clear	1.625	41.28	1.969	50.01	1.000	25.40	1.750	44.45	25
HUP11-H	Dark Blue	1.875	47.63	2.203	55.96	1.000	25.40	1.750	44.45	25

#### Caplugs has extensive custom rubber molded capabilities including:

- A full in-house team of design engineers
- Prototype delivery within 15 days
- PPAP process for accuracy



To learn more about our expertise and your perfect solution, see pages 16-17.

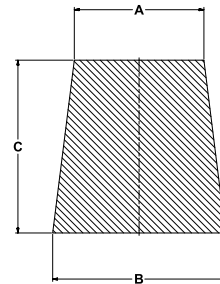
## GN-SH Series

### Green Neoprene Plugs

The GN-SH Series green neoprene plugs are best suited for painting & plating.

- Temperatures up to 350°F (177°C)
- Carbon free
- Reusable

**Material:** Neoprene **Color:** Green



## BN-SH Series

### Black Neoprene Plugs

BN-SH Series black neoprene plugs are best suited for painting, plating, anodizing & blasting.

- Temperatures up to 350°F (177°C)
- Contain carbon for conductivity
- Reusable

**Material:** Neoprene **Color:** Black

## Green and Black Neoprene Plugs GN-SH & BN-SH Series

Caplugs No.		Dimensions						Packaging Quantity Per Bag
		A		B		C		
Green	Black	In	mm	In	mm	In	mm	
GN99	BN99	.031	.79	.125	3.18	.625	15.88	1000
GN100	BN100	.063	1.59	.125	3.18	.625	15.88	1000
GN101	BN101	.063	1.59	.188	4.76	.625	15.88	1000
GN102	BN102	.125	3.18	.250	6.35	.750	19.05	1000
GN103	BN103	.188	4.76	.344	8.73	.625	15.88	1000
GN104	BN104	.250	6.35	.375	9.53	.750	19.05	1000
GN105	BN105	.250	6.35	.375	9.53	.500	12.70	100
GN106	BN106	.344	8.73	.440	11.18	.688	17.46	100
GN000	BN000	.344	8.73	.500	12.70	.813	20.64	100
GN107	BN107	.320	8.13	.563	14.29	1.000	25.40	100
GN00	BN00	.406	10.32	.594	15.08	1.000	25.40	100
GN108	BN108	.438	11.11	.625	15.88	.813	20.64	100
GN109	BN109	.500	12.70	.656	16.67	1.000	25.40	100
GN110	BN110	.563	14.29	.750	19.05	1.000	25.40	100
GN111	BN111	.625	15.88	.781	19.84	1.000	25.40	100
GN112	BN112	.719	18.26	.938	23.81	1.000	25.40	100
GN114	BN114	.750	19.05	1.000	25.40	1.000	25.40	100
GN116	BN116	.906	23.02	1.063	27.00	1.000	25.40	100
GN118	BN118	1.031	26.19	1.250	31.75	1.000	25.40	100
GN120	BN120	1.188	30.18	1.438	36.53	1.000	25.40	100
GN122	BN122	1.347	34.21	1.660	42.16	1.000	25.40	50
GN124	BN124	1.469	37.31	1.750	44.45	1.000	25.40	50
GN126	BN126	1.625	41.28	1.969	50.01	1.000	25.40	50
GN128	BN128	1.875	47.63	2.203	55.96	1.000	25.40	25
GN129	BN129	2.000	50.80	2.469	62.71	1.000	25.40	25
GN130	BN130	2.125	53.98	2.525	64.14	1.000	25.40	25
GN132	BN132	2.281	57.94	2.688	68.28	1.000	25.40	25
GN133	BN133	2.438	61.93	2.953	75.01	1.469	37.31	1
GN134	BN134	3.000	76.20	3.500	88.90	1.500	38.10	1
GN136	BN136	3.250	82.55	4.040	102.62	1.500	38.10	1
GN138	BN138	3.500	88.90	5.070	128.78	2.000	50.80	1



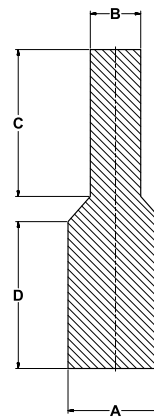
## SPP-SH Series

### Silicone Pull Plugs

Our Ultrabake™ Silicone Pull Plugs are designed for both threaded or non-threaded thru-holes of varying sizes. Recommended for powder coating, e-coating, plating & anodizing.

- For High-temperature processes up to 600°F (315°C)
- Reusable

**Material:** Silicone **Color:** See chart for color coding  
**Optional Colors:** Clear, White



## PP-SH Series

### EPDM Pull Plugs

Our EPDM Pull Plugs are designed for both threaded or non-threaded thru-holes of varying sizes. Recommended for painting & anodizing.

- For processes up to 350°F (177°C)
- Reusable

**Material:** EPDM **Color:** Black

## Pull Plugs SPP-SH & PP-SH Series

Caplugs No.	SPP Color	PP Black	Hole Fit	Dimensions								Packaging Quantity Per Bag
				A		B		C		D		
				In	mm	In	mm	In	mm	In	mm	
SPP06	Clear	PP06	1/20	.062	1.57	.046	1.17	.337	8.56	.375	9.53	500
SPP07	Pink	PP07	1/16	.067	1.70	.047	1.19	.610	15.49	.625	15.88	500
SPP08	Light Green	PP08	1/16	.073	1.85	.046	1.17	.590	14.99	.612	15.54	500
SPP09	Yellow	PP09	5/64	.091	2.31	.052	1.32	.625	15.88	.625	15.88	500
SPP10	Grey	PP10	5/64	.093	2.36	.050	1.27	.700	17.78	.700	17.78	500
SPP11	Light Blue	PP11	3/32	.104	2.64	.062	1.57	.625	15.88	.525	13.34	500
SPP11A	White	PP11A	7/64	.125	3.18	.062	1.57	.625	15.88	.625	15.88	500
SPP14	Clear	PP14	1/8	.130	3.30	.093	2.36	1.000	25.40	1.000	25.40	500
SPP15	Pink	PP15	1/8	.130	3.30	.093	2.36	.700	17.78	.650	16.51	500
SPP17	Light Green	PP17	1/8	.142	3.61	.085	2.16	.558	14.17	.625	15.88	500
SPP18	Yellow	PP18	9/64	.154	3.91	.083	2.11	.625	15.88	.632	16.05	500
SPP20	Grey	PP20	9/64	.156	3.96	.062	1.57	.750	19.05	.625	15.88	500
SPP22	Light Blue	PP22	5/32	.162	4.11	.096	2.44	.581	14.76	.625	15.88	500
SPP23	White	PP23	11/64	.195	4.95	.110	2.79	.625	15.88	.625	15.88	500
SPP30	Clear	PP30	3/16	.218	5.54	.130	3.30	1.000	25.40	1.000	25.40	500
SPP33	Pink	PP33	7/32	.225	5.72	.125	3.18	1.000	25.40	1.000	25.40	500
SPP37	Light Green	PP37	1/4	.257	6.53	.130	3.30	1.000	25.40	1.000	25.40	500
SPP40	Yellow	PP40	17/64	.275	6.99	.125	3.18	.920	23.37	.937	23.80	500
SPP40LS	White	PP40LS	17/64	.275	6.99	.146	3.71	2.000	50.80	2.000	50.80	500
SPP42	Grey	PP42	19/64	.316	8.03	.152	3.86	.910	23.11	1.000	25.40	500
SPP42A	Light Blue	PP42A	5/16	.333	8.46	.251	6.38	1.100	27.94	.757	19.23	500
SPP43	White	PP43	5/16	.335	8.51	.153	3.89	1.000	25.40	1.000	25.40	500
SPP50	Clear	PP50	11/32	.350	8.89	.193	4.90	.925	23.50	.881	22.38	500
SPP55	Pink	PP55	3/8	.384	9.75	.154	3.91	1.000	25.40	1.000	25.40	250
SPP55LS	Dark Blue	PP55LS	3/8	.384	9.75	.204	5.18	2.000	50.80	2.000	50.80	250
SPP60	Light Green	PP60	13/32	.408	10.36	.191	4.85	1.000	25.40	1.009	25.63	250
SPP66	Yellow	PP66	7/16	.444	11.28	.255	6.48	.990	25.15	1.000	25.40	250
SPP67	Grey	PP67	7/16	.445	11.30	.255	6.48	1.000	25.40	1.000	25.40	250
SPP70	Light Blue	PP70	29/64	.472	11.99	.243	6.17	1.000	25.40	1.000	25.40	250
SPP73	White	PP73	15/32	.496	12.60	.250	6.35	1.000	25.40	1.000	25.40	250
SPP73LS	Light Green	PP73LS	15/32	.496	12.60	.263	6.68	2.000	50.80	2.000	50.80	250
SPP77	Clear	PP77	1/2	.510	12.95	.256	6.50	.956	24.28	1.000	25.40	250
SPP80	Pink	PP80	33/64	.530	13.46	.250	6.35	1.000	25.40	1.000	25.40	250
SPP85	Light Green	PP85	37/64	.571	14.50	.303	7.70	1.000	25.43	1.000	25.40	250
SPP89	Yellow	PP89	19/32	.612	15.54	.250	6.35	1.000	25.40	1.000	25.40	250
SPP89LS	Clear	PP89LS	19/32	.612	15.54	.325	8.26	2.000	50.80	2.000	50.80	250
SPP90	Grey	PP90	5/8	.640	16.26	.375	9.53	1.000	25.40	1.000	25.40	100
SPP95	Light Blue	PP95	13/16	.707	17.96	.375	9.53	1.326	33.68	1.250	31.75	100
SPP95LS	Dark Green	PP95LS	13/16	.707	17.96	.375	9.53	2.000	50.80	2.000	50.80	100
SPP97	White	PP97	23/32	.728	18.49	.375	9.53	1.100	27.94	1.125	28.58	100
SPP100	Clear	PP100	3/4	.770	19.56	.375	9.53	.927	23.55	1.000	25.40	100
SPP100LS	Yellow	PP100LS	3/4	.770	19.56	.408	10.36	2.000	50.80	2.000	50.80	100
SPP105	Pink	PP105	25/32	.807	20.50	.428	10.87	1.250	31.75	1.250	31.75	100
SPP110	Light Green	PP110	7/8	.888	22.56	.372	9.45	1.000	25.40	1.000	25.40	100
SPP120	Yellow	PP120	1	1.020	25.91	.375	9.53	.970	24.64	1.000	25.40	100
SPP140	Grey	PP140	1-3/8	1.380	35.05	.732	18.59	1.500	38.10	1.500	38.10	50

### In-house custom rubber molded capabilities include:

- One-on-one collaboration with design engineers
- Experts in compression, transfer and injection molding
- In-house compound mixing and development



Your solution is waiting; find it on pages 16-17.



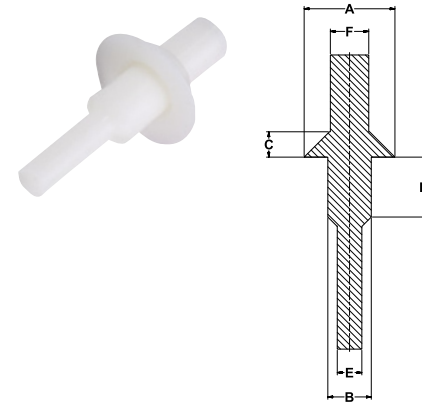
## UWPP-SH Series

### Silicone Washer Pull Plugs

Our Ultrabake™ Silicone Pull Plugs are designed to mask plain and threaded holes; they will mask off the hole and leave a circular grounding or earthing area around the hole. Recommended for powder coating, e-coating, plating & anodizing.

- For high-temperature processes up to 600°F (315°C)
- Washer design eliminates the need for two-stage masking
- Washer is dual-purpose designed to be used with counter sunk holes to mask off the faces of the countersink
- Reusable

**Material:** Silicone **Color:** See chart for color coding  
**Optional Colors:** Clear, White



## Silicone Washer Pull Plugs UWPP-SH Series

Caplugs No.	Color	Thread Size	Dimensions										Packaging Quantity Per Bag		
			A		B		C		D		E			F	
			In	mm	In	mm	In	mm	In	mm	In	mm		In	mm
<b>UWPP-M3</b>	Dark Blue	M3	.394	10.00	.105	2.67	.107	2.72	.390	9.91	.060	1.52	.090	2.29	250
<b>UWPP-M4</b>	Dark Green	M4	.394	10.00	.140	3.56	.107	2.72	.390	9.91	.080	2.03	.120	3.05	250
<b>UWPP-M5</b>	Clear	M5	.394	10.00	.176	4.47	.107	2.72	.390	9.91	.100	2.54	.150	3.81	250
<b>UWPP-M6</b>	White	M6	.591	15.01	.211	5.36	.165	4.19	.390	9.91	.120	3.05	.180	4.57	250
<b>UWPP-M8</b>	Grey	M8	.591	15.01	.283	7.19	.165	4.19	.390	9.91	.161	4.09	.240	6.10	250
<b>UWPP-M10</b>	Yellow	M10	.787	19.99	.375	9.53	.210	5.33	.390	9.91	.214	5.44	.320	8.13	100
<b>UWPP-M12</b>	Pink	M12	.787	19.99	.428	10.87	.210	5.33	.390	9.91	.244	6.20	.360	9.14	100
<b>UWPP-500</b>	Pink	10-24	.500	12.70	.167	4.24	.107	2.72	.390	9.91	.095	2.41	.140	3.56	250
<b>UWPP-562</b>	Yellow	12-24	.562	14.27	.193	4.90	.107	2.72	.390	9.91	.110	2.79	.160	4.06	250
<b>UWPP-625</b>	Green	1/4-20	.625	15.88	.225	5.72	.107	2.72	.390	9.91	.128	3.25	.190	4.83	250
<b>UWPP-688</b>	Clear	5/16-18	.688	17.48	.284	7.21	.165	4.19	.390	9.91	.162	4.11	.240	6.10	25
<b>UWPP-812</b>	Grey	3/8-16	.812	20.62	.342	8.69	.165	4.19	.390	9.91	.195	4.95	.290	7.37	100
<b>UWPP-922</b>	White	7/16-14	.922	23.42	.400	10.16	.210	5.33	.390	9.91	.228	5.79	.340	8.64	100
<b>UWPP-1060</b>	Dark Blue	1/2-13	1.060	26.92	.459	11.66	.210	5.33	.390	9.91	.262	6.65	.390	9.91	100



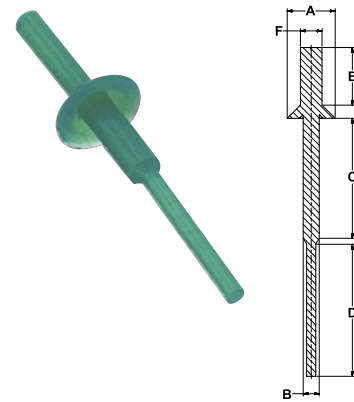
## UWPPLS-SH Series

### Silicone Washer Pull Plugs - Long Series

Our Ultrabake™ Silicone Pull Plugs Long Series are designed to mask plain and threaded holes; they will mask off the hole and leave a circular grounding or earthing area around the hole. Recommended for powder coating, e-coating, plating & anodizing.

- For high-temperature processes up to 600°F (315°C)
- Washer design eliminates the need for two-stage masking
- Washer is dual-purpose designed to be used with counter sunk holes to mask off the faces of the countersink
- Long series for harder to reach areas
- Reusable

**Material:** Silicone **Color:** See chart for color coding  
**Optional Colors:** Clear, White



## Silicone Washer Pull Plugs - Long Series UWPPLS-SH Series

Caplugs No.	Color	Dimensions										Packaging Quantity Per Bag		
		A		B		C		D		E			F	
		In	mm	In	mm	In	mm	In	mm	In	mm		In	mm
<b>UWPP-M4LS</b>	Blue	.394	10.01	.140	3.56	.875	22.23	1.000	25.40	.520	13.21	.190	4.83	250
<b>UWPP-500LS</b>	Green	.500	12.70	.167	4.24	1.125	28.58	1.375	34.93	.600	15.24	.225	5.72	250
<b>UWPP-562LS</b>	Black	.562	14.70	.193	4.90	1.500	38.10	1.250	31.75	.650	16.51	.225	5.72	250
<b>UWPP-M6LS</b>	Rusty Red	.591	15.01	.211	5.36	1.500	38.10	1.750	44.45	.610	15.49	.250	6.35	250



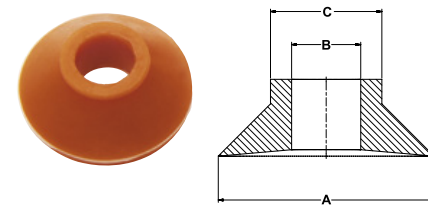
## UWM-SH Series

### Silicone Washer Masks (to be used with UWPP & UWPPLS Series)

Ultrabake™ Washer Masks are designed to cover plain and threaded studs. They will mask off the stud and allow finishing up to the stud.

- For High-temperature processes up to 600°F (315°C)
- Reusable

**Material:** Silicone **Color:** See chart for color coding



## Silicone Washer Masks (to be used with UWPP & UWPPLS Series) UWM-SH Series

Caplugs No.	Color	To Fit Pull Plug	Dimensions						Packaging Quantity Per Bag
			A		B		C		
			In	mm	In	mm	In	mm	
<b>UWM-128</b>	Blue	<b>UWPP-M4LS</b>	.394	10.01	.128	3.25	.210	5.33	500
<b>UWM-150</b>	Green	<b>UWPP-500LS</b>	.500	12.70	.150	3.81	.310	7.87	500
<b>UWM-180</b>	Black	<b>UWPP-562LS</b>	.562	14.27	.180	4.57	.290	7.37	500
<b>UWM-200</b>	Rusty Red	<b>UWPP-M6LS</b>	.591	15.01	.200	5.08	.310	7.87	500



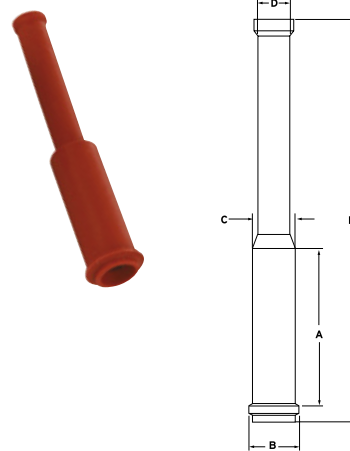
## HFPP-SH Series

### Hollow-Flanged Pull Plugs

HFPP-SH Ultrabake™ Hollow Flanged Pull Plugs have a tapered design & hollow core to mask plain and threaded holes; they will mask off the hole and the first thread of a threaded hole. Recommended for Powder coating, e-coating, plating & anodizing.

- Recommended temperatures up to 600°F (315°C)
- Two stage - the large and small diameters help with insertion
- Hollow design allows faster cooling
- Reusable
- Easily removed with an ergonomic handle

**Material:** Silicone **Color:** See chart for color coding  
**Optional Colors:** Clear, White



## Hollow-Flanged Pull Plugs HFPP-SH Series

Caplugs No.	Color	Dimensions										Packaging Quantity Per Bag
		A		B		C		D		D		
		In	mm	In	mm	In	mm	In	mm	In	mm	
HFPP-SH-M6	Blue	.197	5.00	.267	6.78	.930	23.62	.175	4.45	2.051	52.10	1000
HFPP-SH-M10	Rusty Red	.335	8.51	.440	11.18	1.000	25.4	.280	7.11	2.484	63.10	500
HFPP-SH-M12	Green	.417	10.59	.512	13.00	1.125	28.58	.330	8.38	3.016	76.60	250
HFPP-SH-M20	Yellow	.675	17.15	.800	20.32	1.250	31.75	.510	12.95	3.370	85.60	250



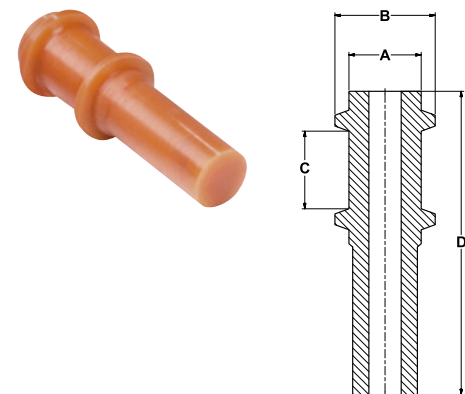
## DFPP-SH Series

### Dual-Flanged Pull Plugs

DFPP-SH Series dual flanged pull plugs are designed for weld nuts of varying thread sizes. Recommended for powder coating, e-coating, plating & anodizing.

- For high-temperature processes up to 600°F (315°C)
- Masks off chamfer, first thread & last thread
- Will not blow out due to air pressure
- Reusable

**Material:** Silicone **Color:** See chart for color coding  
**Optional Colors:** Clear, White



## Dual-Flanged Pull Plugs DFPP-SH Series

Caplugs No.	Color	Thread Size	Dimensions								Packaging Quantity Per Bag
			A		B		C		D		
			In	mm	In	mm	In	mm	In	mm	
DFPP-M6	Dark Green	M6	.197	5.00	.307	7.80	.268	6.81	1.299	32.99	1000
DFPP-M8	Rusty Red	M8	.264	6.71	.374	9.50	.311	7.90	1.339	34.01	1000
DFPP-M10	Dark Green	M10	.335	8.51	.445	11.30	.354	8.99	1.378	35.00	500
DFPP-M12	Purple	M12	.406	10.31	.512	13.00	.457	11.61	1.772	45.01	250
DFPP-M16	White	M16	.531	13.49	.669	16.99	.551	14.00	1.969	50.01	250
DFPP-M20	Dark Blue	M20	.669	16.99	.827	21.01	.709	18.01	2.283	57.99	100



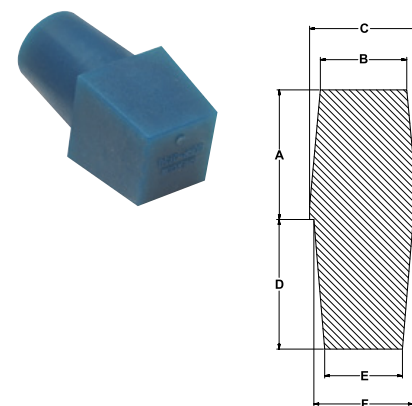
## UDPP-SH Series

### Silicone Dual Purpose Plugs

Ultrabake™ Dual Purpose Plugs are designed to plug round or square, plain or threaded holes; they will mask off the hole and allow finishing up to it. Recommended for Powder coating, e-coating, plating & anodizing.

- Recommended temperatures up to 600°F (315°C)
- Hole can be round or square. One side of this plug is round and the other side is square
- Tapered to fit into a range of hole sizes
- Reusable

**Material:** Silicone **Color:** See chart for color coding  
**Optional Colors:** Clear, White



## Silicone Dual Purpose Plugs UDPP-SH Series

Caplugs No.	Color	Square End Dimensions						Round End Dimensions						Packaging Carton Quantity
		A Length		B Minimum		C Maximum		D Length		E Minimum		F Maximum		
		In	mm	In	mm	In	mm	In	mm	In	mm	In	mm	
UDPP-0500	Purple	.625	15.88	.375	9.53	.500	12.70	.625	15.88	.375	9.53	.500	12.70	250
UDPP-0625	Rusty Red	.750	19.05	.500	12.70	.625	15.88	.750	19.05	.500	12.70	.625	15.88	100
UDPP-0750	Green	.750	19.05	.625	15.88	.750	19.05	.750	19.05	.625	15.88	.750	19.05	100
UDPP-1000	Rusty Red	1.000	25.40	.875	22.23	1.000	25.40	1.000	25.40	.875	22.23	1.000	25.40	100



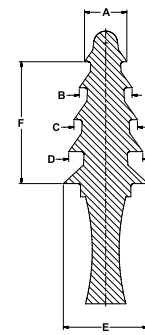
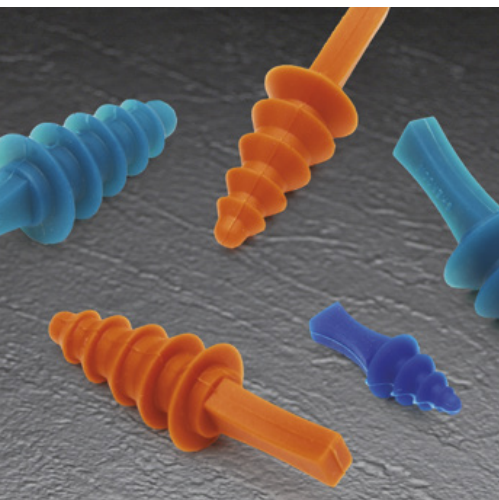
## UMFP-SH Series

### Silicone Multi-Flanged Plugs

Our Ultrabake™ Silicone Multi-Flanged Plugs are designed to mask plain and threaded holes; they will mask off the hole and will allow painting up to the hole. The fins on the plug are flexible so the plug can fit a range of holes. Recommended for Powder coating, e-coating, plating & anodizing.

- Recommended temperatures up to 600°F (315°C)
- Raised handle makes the plug easier to see & easier to remove
- Reusable

**Material:** Silicone **Color:** See chart for color coding  
**Optional Colors:** Clear, White



## Silicone Multi-Flanged Plugs UMFP-SH Series

Caplugs No.	Color	Dimensions												Packaging Quantity Per Bag
		A		B		C		D		E		F Length		
		In	mm	In	mm	In	mm	In	mm	In	mm	In	mm	
UMFP-4-10	Blue	.157	4.00	.236	6.00	.315	8.00	.394	10.00	-	-	.539	13.70	250
UMFP-8-16	Rusty Red	.315	8.00	.394	10.00	.472	12.00	.551	14.00	.630	16.00	.906	23.00	100
UMFP-10-18	Green	.394	10.00	.472	12.00	.551	14.00	.630	16.00	.709	18.00	.894	22.70	100

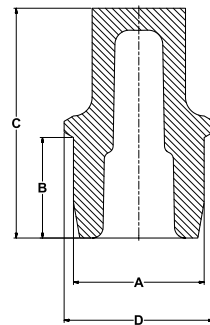
## UTM-SH Series

### Silicone Thread Masks

Ultrabake™ Thread Masks are designed to mask threaded holes; they will mask off the hole and the first thread of the hole. Recommended for Powder coating, e-coating, plating & anodizing.

- Recommended temperatures up to 600°F (315°C)
- Available in standard shallow design for blind holes, as well as a long series for longer sealing areas
- Reusable

**Material:** Silicone **Color:** See chart for color coding  
**Optional Colors:** Clear, White



## Silicone Thread Masks UTM-SH Series

Caplugs No.	Color	Dimensions								Packaging Quantity Per bag
		A		B		C		D		
		In	mm	In	mm	In	mm	In	mm	
UTM-1/4-20	Yellow	.218	5.54	.200	5.08	.450	11.43	.260	6.60	500
UTM-5/16-18	Light Green	.278	7.06	.200	5.08	.500	12.70	.320	8.13	500
UTM-3/8-16	White	.336	8.53	.250	6.35	.600	15.24	.385	9.78	500
UTM-1/2-13	Clear	.451	9.96	.350	8.89	.750	19.05	.510	11.18	250
UTM-7/16-14	Pink	.392	11.46	.350	8.89	.750	19.05	.440	12.95	250
UTM-M6*1	Clear	.208	5.28	.197	5.00	.551	14.00	.248	6.30	500
UTM-M8*1.25	Dark Blue	.28	7.19 3	.197	5.00	.482	12.24	.331	8.41	500
UTM-M10*1.5	Pink	.358	9.09	.276	7.01	.630	16.00	.409	10.39	250
UTM-M12*1.75	Rusty Red	.426	10.82	.346	8.79	.792	20.12	.489	12.42	250
UTM-M16*2	Light Green	.583	14.81	.433	11.00	.906	23.01	.654	16.61	100
UTM-M20*2.5	Yellow	.724	18.39	.512	13.00	1.122	28.50	.811	20.60	100

### Silicone Thread Masks - Long Series

Caplugs No.	Color	Dimensions								Packaging Quantity Per bag
		A		B		C		D		
		In	mm	In	mm	In	mm	In	mm	
UTM-1/4-20LS	Yellow	.218	5.54	.279	7.09	.922	23.42	.260	6.60	500
UTM-1/4-36LS	Dark Blue	.232	5.54	.270	6.86	.922	23.42	.260	6.60	500
UTM-5/16-18LS	Light Green	.278	7.06	.279	7.09	.894	22.71	.320	8.13	500
UTM-5/16-40LS	Rusty Red	.296	7.06	.279	7.09	.894	22.71	.320	8.13	250
UTM-3/8-16LS	White	.336	8.53	.329	8.36	.994	25.25	.385	9.78	250
UTM-3/8-36LS	Yellow	.357	8.53	.329	8.36	.994	25.25	.385	9.78	250
UTM-M3*0.5LS	Red	.107	2.72	.210	5.33	.820	20.83	.138	3.51	1000
UTM-M4*0.7LS	Pink	.141	3.59	.230	5.84	.860	21.84	.161	4.09	1000
UTM-M5*0.8LS	Purple	.178	4.52	.220	5.59	.820	20.83	.207	5.26	500
UTM-M6*1LS	Clear	.208	5.28	.295	7.49	.964	24.49	.248	6.30	500
UTM-M8*1.25LS	Dark Blue	.283	7.19	.295	7.49	.896	22.76	.331	8.41	500
UTM-M10*1.5LS	Pink	.358	9.09	.276	7.01	.945	24.00	.409	10.39	250
UTM-M24*2LS	Grey	.896	22.76	.630	16.00	1.490	37.85	.947	24.05	50

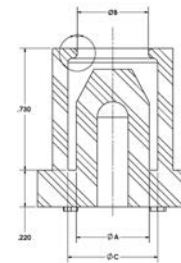
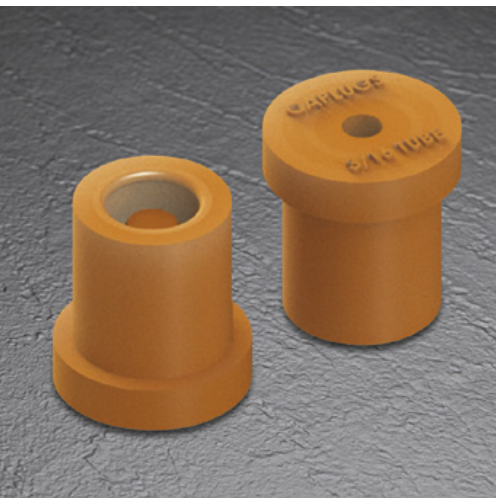
## RMCP-SH Series

### Rubber Masking Cap-Plug

Provide the Heating, Ventilation and Air Conditioning (HVAC) industry with a Cap-Plug combination mask for use during coating and pressure testing of HVAC compressors. Eliminates the need for two separate masks and the added labor involved in installing and removing each. The rubber cap/plug reseals itself after any nitrogen charging that may occur for shipping.

- Recommended temperatures up to 212°F (100°C)

**Material:** Rubber **Color:** Black



## Rubber Masking Cap-Plug RMCP-SH Series

Caplugs No.	Tube Size	Dimensions						Packaging Quantity Per Bag
		A		B		C		
		In	mm	In	mm	In	mm	
<b>RMCP-312-12</b>	5/16	.380	9.65	.413	10.490	.525	13.34	1000
<b>RMCP-375-12</b>	3/8	.460	11.68	.450	11.430	.537	13.64	1000
<b>RMCP-500-12</b>	1/2	.555	14.10	.526	13.360	.678	17.22	1000
<b>RMCP-625-12</b>	5/8	.675	17.15	.672	17.069	.796	20.22	1000
<b>RMCP-750-12</b>	3/4	.810	20.57	.780	19.812	.920	23.37	1000
<b>RMCP-875-12</b>	7/8	.945	24.00	.908	23.063	1.061	26.95	1000



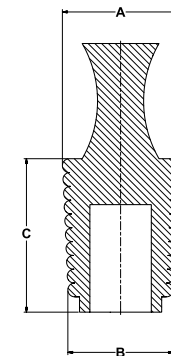
## UFP-SH Series

### Silicone Flangeless Plugs

Our Ultrabake™ Silicone Flangeless Plugs have a tapered design & hollow core to allow a single plug to be used in both threaded or non-threaded holes of varying sizes. Recommended for Powder coating, e-coating, plating & anodizing.

- Recommended temperatures up to 600°F (315°C)
- Protect threaded holes without masking surrounding area
- Reusable

**Material:** Silicone **Color:** See chart for color coding  
**Optional Colors:** Clear, White



## Silicone Flangeless Plugs UFP-SH Series

Caplugs No.	Color	Dimensions						Packaging Quantity Per Bag
		A		B		C		
		In	mm	In	mm	In	mm	
<b>UFP00250</b>	Clear	.230	5.84	.157	3.99	1.000	25.40	250
<b>UFP00312</b>	Black	.315	8.00	.221	5.61	1.000	25.40	250
<b>UFP00406</b>	Yellow	.380	9.65	.315	8.00	1.000	25.40	250
<b>UFP00468</b>	Clear	.470	11.94	.380	9.65	1.000	25.40	250
<b>UFP00562</b>	Light Blue	.575	14.61	.480	12.19	1.000	25.40	250
<b>UFP00625</b>	Purple	.630	16.00	.536	13.61	1.000	25.40	250
<b>UFP00718</b>	Rusty Red	.709	18.00	.630	16.00	1.000	25.40	250
<b>UFP00787</b>	Light Green	.787	19.99	.709	18.00	1.000	25.40	100
<b>UFP00866</b>	Grey	.866	22.00	.787	19.00	1.000	25.40	100
<b>UFP00945</b>	Clear	.945	24.00	.866	22.00	1.000	25.40	100
<b>UFP01024</b>	Black	1.024	26.00	.945	24.00	1.000	25.40	100
<b>UFP01102</b>	Dark Green	1.102	28.00	1.024	26.00	1.000	25.40	100
<b>UFP01134</b>	Purple	1.147	29.13	1.063	27.00	1.000	25.40	50
<b>UFP01178</b>	Light Blue	1.181	30.00	1.102	27.99	1.000	25.40	50
<b>UFP01216</b>	Rusty Red	1.220	31.01	1.142	29.01	1.000	25.40	50
<b>UFP01234</b>	Yellow	1.256	31.90	1.181	30.00	1.000	25.40	50

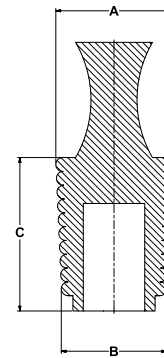
## FP-SH Series

### Oil Resistant Rubber Flangeless Plugs

FP-SH Series Flangeless Plugs have a tapered design & hollow core to allow a single plug to be used in both threaded or non-threaded holes of varying sizes. Recommended for plating, painting & anodizing.

- Recommended temperatures up to 250°F (121°C)
- Protect threaded holes without masking surrounding area
- Reusable

**Material:** Nitrile-Butadiene Rubber **Color:** Black



## Oil Resistant Rubber Flangeless Plugs FP-SH Series

Caplugs No.	Dimensions						Packaging Quantity Per Bag
	A		B		C		
	In	mm	In	mm	In	mm	
FP00250	.230	5.84	.157	3.99	1.000	25.40	250
FP00312	.315	8.00	.221	5.61	1.000	25.40	250
FP00406	.380	9.65	.315	8.00	1.000	25.40	250
FP00468	.470	11.94	.380	9.65	1.000	25.40	250
FP00562	.575	14.61	.480	12.19	1.000	25.40	250
FP00625	.630	16.00	.536	13.61	1.000	25.40	250
FP00718	.709	18.00	.630	16.00	1.000	25.40	250
FP00787	.787	19.99	.709	18.00	1.000	25.40	100
FP00866	.866	22.00	.787	19.00	1.000	25.40	100
FP00945	.945	24.00	.866	22.00	1.000	25.40	100
FP01024	1.024	26.00	.945	24.00	1.000	25.40	100
FP01102	1.102	28.00	1.024	26.00	1.000	25.40	100



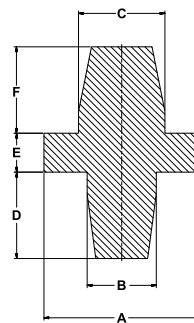
## UW-SH Series

### Silicone Washer Plugs

Our Ultrabake™ Silicone Washer Plugs are designed to plug plain and threaded holes; they will mask off the hole and leave a circular grounding or earthing area around threaded & thru holes. Recommended for Powder coating, e-coating, plating & anodizing.

- Recommended temperatures up to 600°F (315°C)
- Dual-Purpose two-sided design to fit two hole sizes
- Washer design eliminates the need for two-stage masking
- Reusable

**Material:** Silicone **Color:** See chart for color coding  
**Optional Colors:** Clear, White



## Silicone Washer Plugs UW-SH Series

Caplugs No.	Color	Dimensions												Packaging Quantity Per Bag
		A		B		C		D		E		F		
		In	mm	In	mm	In	mm	In	mm	In	mm	In	mm	
UW-M3	Dark Green	.276	7.00	.110	2.79	.146	3.71	.220	5.59	.197	5.00	.291	7.39	1000
UW-M4	Pink	.354	8.99	.142	3.61	.185	4.70	.283	7.19	.197	5.00	.370	9.40	1000
UW-M5	Clear	.394	10.00	.177	4.50	.224	5.69	.354	8.99	.197	5.00	.449	11.40	1000
UW-M6	Red	.492	12.50	.209	5.31	.264	6.71	.417	10.59	.197	5.00	.528	13.41	500
UW-M8	Black	.669	16.99	.280	7.11	.343	8.71	.559	14.20	.197	5.00	.685	17.40	500
UW-M10	Yellow	.827	21.00	.378	9.60	.421	10.69	.756	19.20	.197	5.00	.843	21.41	250
UW-M12	Clear	.945	24.00	.429	10.90	.500	12.70	.858	21.79	.197	5.00	1.000	25.40	250
UW380	Yellow	.250	6.35	.096	2.44	.128	3.25	.348	8.84	.197	5.00	.504	12.80	1000
UW400	Black	.312	7.92	.134	3.40	.157	3.99	.490	12.45	.193	4.90	.502	12.75	1000
UW405	Clear	.319	8.10	.124	3.15	.252	6.40	.385	9.78	.217	5.51	.511	12.98	1000
UW410	Pink	.380	9.65	.137	3.48	.160	4.06	.454	11.53	.196	4.98	.507	12.88	1000
UW412	Red	.375	9.53	.198	5.03	.274	6.96	.492	12.50	.198	5.03	.500	12.70	500
UW415	Light Green	.502	12.75	.127	3.23	.186	4.72	.381	9.68	.202	5.13	.497	12.62	500
UW420	Dark Blue	.505	12.83	.244	6.20	.257	6.53	.509	12.93	.193	4.90	.516	13.11	500
UW440	Yellow	.625	15.88	.127	3.23	.256	6.50	.358	9.09	.191	4.85	.506	12.85	500

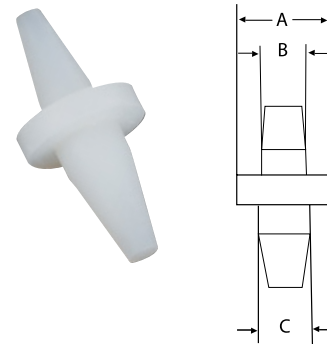


## SWP Series

### Silicone Washer Plugs

SWP Series Silicone Washer Plugs are designed for masking around a hole for grounding purposes or can be used as dual plugs. Made of silicone, the SWP Series is excellent for high-temperature applications up to 600°F (intermittent).

**Material:** Silicone **Color:** Natural



## Silicone Washer Plugs SWP Series

Caplugs No.	Dimensions						Packaging	
	A		B		C		Carton Quantity	Mini Pak Quantity
	In	mm	In	mm	In	mm		
SWP-130-250-140	.250	6.35	.130	3.30	.140	3.56	1000	200
SWP-140-250-180	.250	6.35	.140	3.56	.180	4.57	1000	200
SWP-130-312-150	.312	7.92	.130	3.30	.150	3.81	1000	200
SWP-140-312-180	.312	7.92	.140	3.56	.180	4.57	1000	200
SWP-155-312-230	.312	7.92	.155	3.94	.230	5.84	500	100
SWP-200-312-230	.312	7.92	.200	5.08	.230	5.84	500	100
SWP-130-375-150	.375	9.53	.130	3.30	.150	3.81	1000	200
SWP-140-375-200	.375	9.53	.140	3.56	.200	5.08	500	100
SWP-180-375-180	.375	9.53	.180	4.57	.180	4.57	500	100
SWP-238-375-250	.375	9.53	.238	6.05	.250	6.35	500	100
SWP-238-500-250	.500	12.70	.238	6.05	.250	6.35	250	50
SWP-275-500-375	.500	12.70	.275	6.99	.375	9.53	250	50



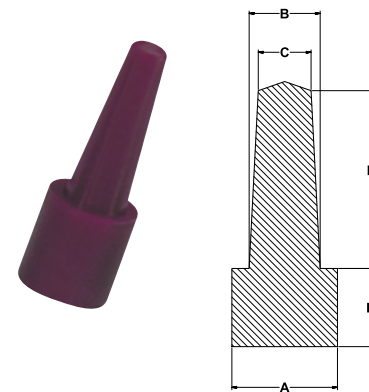
## SP-SH Series

### Silicone Step Plugs

Our Ultrabake™ Silicone Step Plugs are designed to mask plain and threaded holes; they will mask off the hole and leave a circular grounding or earthing area around the hole. Recommended for powder coating, e-coating, plating & anodizing.

- For High-temperature processes up to 600°F (315°C)
- Wide handle design eliminates the need for two-stage masking
- Reusable

**Material:** Silicone **Color:** See chart for color coding  
**Optional Colors:** Clear, White



## Silicone Step Plugs SP-SH Series

Caplugs No.	Color	Dimensions										Packaging
		A		B		C		D		E		Quantity Per Bag
		In	mm	In	mm	In	mm	In	mm	In	mm	
SP-3	Light Blue	.276	7.00	.118	3.00	.093	2.36	.276	7.00	.512	13.00	500
SP-4	Light Green	.315	8.00	.197	5.00	.112	2.84	.315	7.00	.551	14.00	500
SP-5	Purple	.354	8.99	.236	6.00	.155	3.93	.354	8.99	.631	16.02	500
SP-6	Black	.400	10.16	.253	6.42	.188	4.77	.400	10.16	.694	17.62	250
SP-8	White	.489	12.42	.324	8.23	.234	5.94	.384	9.75	.682	17.32	250



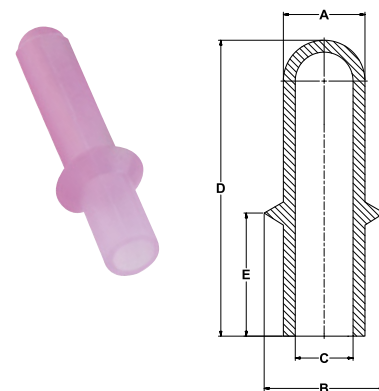
## SFP-SH Series

### Silicone Flanged Cap Plugs

Ultrabake™ Flanged Cap Plugs are designed to mask plain and threaded holes; they will mask off the hole and the first thread of a threaded hole. The plugs are dual purpose and can be used as a cap on longer studs. Recommended for powder coating, e-coating, plating & anodizing.

- For High-temperature processes up to 600°F (315°C)
- Reusable

**Material:** Silicone **Color:** See chart for color coding  
**Optional Colors:** Clear, White



## Silicone Flanged Cap Plugs SFP-SH Series

Caplugs No.	Color	Dimensions										Packaging
		A		B		C		D		E		Quantity Per Bag
		In	mm	In	mm	In	mm	In	mm	In	mm	
SFP-M8	Yellow	.291	7.39	.472	11.99	.177	4.50	1.654	42.01	.472	11.99	250
SFP-M10	Pink	.343	8.71	.579	14.71	.276	7.01	1.850	46.99	.512	13.00	250
SFP-M12	Clear	.421	10.69	.622	15.80	.315	8.00	2.008	51.00	.551	14.00	250
SFP-M14	Grey	.539	13.69	.709	18.01	.417	10.59	2.520	64.01	.591	15.01	250



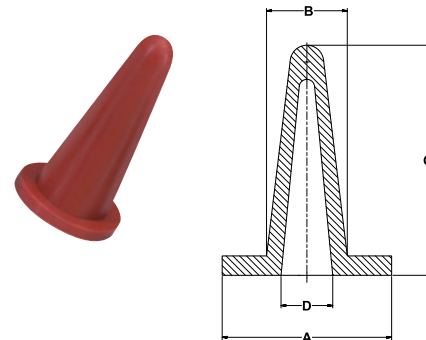
## HWP-SH Series

### Hollow Washer Plugs

Our Ultrabake™ Silicone Hollow Washer Plugs are designed to plug plain and threaded holes; they will mask off the hole and leave a circular grounding or earthing area around threaded & thru holes. Recommended for powder coating, e-coating, plating & anodizing.

- Recommended temperatures up to 600°F (315°C)
- Hollow to make it lighter and more conforming
- Washer design eliminates the need for two-stage masking
- Reusable

**Material:** Silicone **Color:** See chart for color coding  
**Optional Color:** Clear, White



## Hollow Washer Plugs HWP-SH Series

Caplugs No.	Color	Dimensions								Packaging Quantity Per Bag
		A		B		C		D		
		In	mm	In	mm	In	mm	In	mm	
HWP-0330	Clear	.492	12.50	.248	6.30	.906	23.00	.130	3.30	200
HWP-0450	Black	.630	16.00	.335	8.50	.984	25.00	.177	4.50	200
HWP-0500	Yellow	.650	16.51	.394	10.00	1.102	28.00	.197	5.00	200
HWP-0800	Dark Blue	.748	19.00	.551	14.00	1.417	36.00	.315	8.00	200
HWP-1150	Purple	.984	25.00	.689	17.50	1.496	38.00	.453	11.50	200
HWP-1350	Rusty Red	1.102	28.00	.768	19.50	2.008	51.00	.531	13.50	100
HWP-1480	Grey	1.000	25.40	.819	20.80	1.929	49.00	.583	14.80	100
HWP-1600	Clear	1.220	30.99	.866	22.00	2.087	53.00	.630	16.00	100



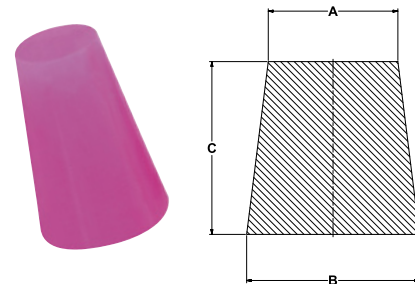
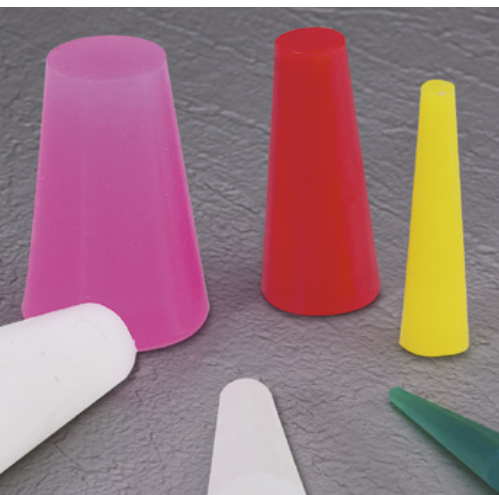
## MSP-SH Series

### Extra Long Silicone Plugs

Our Ultrabake™ Silicone Plugs are designed to plug plain and threaded holes; they will mask off the hole and allow finishing up to it. Recommended for Powder coating, e-coating, plating & anodizing.

- Recommended temperatures up to 600°F (315°C)
- Highly Versatile
- Reusable

**Material:** Silicone **Color:** See chart for color coding  
**Optional Colors:** Clear, White



## Extra Long Silicone Plugs MSP-SH Series

Caplugs No.	Color	Dimensions						Packaging Quantity Per Bag
		A		B		C		
		In	mm	In	mm	In	mm	
MSP101L	Dark Green	.062	1.57	.187	.750	4.75	19.05	1000
MSP102L	Yellow	.125	3.18	.250	6.35	1.000	25.40	1000
MSP103L	Clear	.187	4.75	.343	8.71	1.000	25.40	1000
MSP104L	Red	.250	6.35	.437	11.10	1.000	25.40	1000
MSP105L	White	.316	8.03	.557	14.15	1.000	25.40	500
MSP106L	Pink	.437	11.10	.687	17.45	1.000	25.40	500
MSP107L	Clear	.562	14.27	.750	19.05	1.000	25.40	250
MSP108L	Clear	.625	15.88	.800	20.32	1.000	25.40	250
MSP109L	Clear	.750	19.05	.925	23.50	1.000	25.40	250

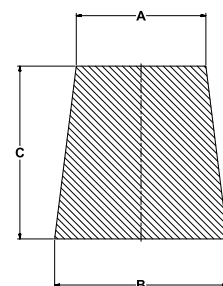
## MPP-SH Series

### Miscellaneous Plugs

Designed to plug plain and threaded holes; they will mask off the hole and allow finishing up to it. Recommended for various processes based upon materials.

- MPP are multi-purpose plugs
- SM/CM are micro plugs
- Recommended temperatures vary

**Material:** Various **Color:** Various



## Miscellaneous Plugs MPP-SH Series

Caplugs No.	Temp Limit	Dimensions						Packaging Quantity Per Bag
		A		B		C		
		In	mm	In	mm	In	mm	
MPP-UB	600°F (315°C)	.125	3.18	.375	9.53	1.250	31.75	500
MPP-BR	150°F (65°C)	.125	3.18	.375	9.53	1.250	31.75	500
MPP-SP	600°F (315°C)	.125	3.18	.500	12.70	2.000	50.80	500
MPP-GN	350°F (177°C)	.125	3.18	.500	12.70	2.000	50.80	500
SM10	600°F (315°C)	.016	.41	.062	1.57	.625	15.88	500
CM10	300°F (149°C)	.016	.41	.062	1.57	.625	15.88	500
SM30	600°F (315°C)	.020	.51	.078	1.98	1.000	25.40	500
CM30	300°F (149°C)	.020	.51	.078	1.98	1.000	25.40	500



## HETV Series

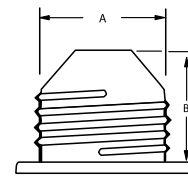
### External Thread Plugs

HETV Series are temperature resistant externally threaded plugs. These flexible plugs can be easily pushed in and removed with no threading required. External threads hold plugs securely in place.

- Can withstand temperatures 500°F
- Ideal for masking applications

**Material:** Flex500® **Color:** Black **Optional Color:** Yellow

**Note:** For low temperature vinyl, please refer to ETV Series.



## External Thread Plugs HETV Series

Caplugs No.	Dimensions				Packaging	
	A		B		Carton Quantity	Mini Pak Quantity
	In	mm	In	mm		
HETV-4	.438	11.13	.438	11.13	7500	1000
HETV-5	.500	12.70	.500	12.70	7500	1000
HETV-6	.563	14.30	.500	12.70	6000	1000
HETV-8	.750	19.05	.625	15.88	5400	1000
HETV-10	.875	22.23	.688	17.48	4000	800
HETV-12	1.047	26.59	.750	19.05	2800	560
HETV-16	1.281	32.54	.875	22.23	2000	400



## HTP Series

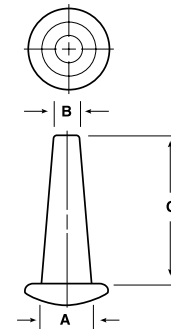
### Tapered Plugs

HTP Series flexible tapered plugs are designed with a distinct tapered configuration, making them ideal for plugging small holes, ranging in diameter from .070" to .343". Ideal for masking applications during painting, plating and powder coating operations.

- Easy installation and removal
- Flexible

**Material:** Flex500® **Color:** Black **Optional Color:** Yellow

**Note:** For low temperature vinyl, please refer to TP Series.



† Mini and Micro Paks available in standard color.  
‡ Minimum order for Micro Paks is 2.

## Tapered Plugs HTP Series

Caplugs No.	Dimensions						Packaging		
	A		B		C		Carton Quantity	Mini Pak†	Micro Pak‡
	In	mm	In	mm	In	mm			
HTP-4	.15	3.81	.07	1.78	.625	15.88	5000	1000	50
HTP-6	.20	5.08	.10	2.54	.500	12.70	5000	1000	50
HTP-8	.25	6.35	.14	3.56	.750	19.05	5000	1000	50
HTP-9	.30	7.62	.14	3.56	1.000	25.40	5000	1000	50
HTP-10	.31	7.87	.16	4.06	.750	19.05	5000	1000	50
HTP-11	.31	7.87	.19	4.83	1.000	25.40	5000	1000	50
HTP-12	.34	8.64	.19	4.83	.750	19.05	5000	1000	50



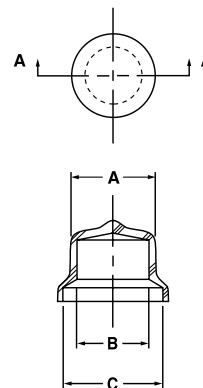
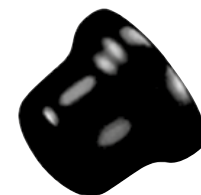
## HVTP Series

### Tapered Plugs

HVTP series plugs provide a snug fit when pushed into open ports, ensuring a tight closure that will not pop out accidentally during processing or shipping. A simple tug on the flanged lip of an installed HVTP breaks the seal for easy removal. Ideal for masking applications during painting, plating and powder coating operations.

**Material:** Flex500® **Color:** Black **Optional Color:** Yellow

**Note:** For low temperature vinyl, please refer to VTP Series.



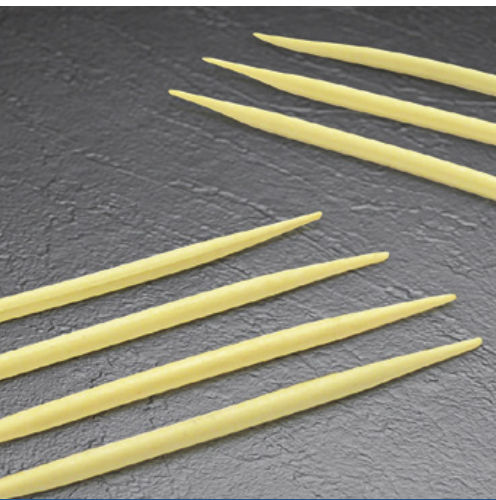
† Mini and Micro Paks available in standard color.  
‡ Minimum order for Micro Paks is 2.

## Tapered Plugs HVTP Series

Caplugs No.	Dimensions								Packaging		
	To Plug Thread Size		A		B		C		Carton Quantity	Mini Pak†	Micro Pak‡
	NPT	STD	In	mm	In	mm	In	mm			
HVTP-05	-	1/4	.195	4.95	.125	3.18	.300	7.62	5000	1000	100
HVTP-1	-	5/16	.290	7.37	.210	5.33	.406	10.31	5000	1000	100
HVTP-2	1/8	3/8	.400	10.16	.290	7.37	.437	11.10	5000	1000	100
HVTP-25	-	7/16	.445	11.30	.340	8.64	.500	12.70	5000	1000	100
HVTP-3	1/4	1/2	.530	13.46	.365	9.27	.555	14.10	5000	1000	100
HVTP-35	-	9/16	.570	14.48	.445	11.30	.625	15.88	2500	500	50
HVTP-4	3/8	5/8	.640	16.26	.520	13.21	.750	19.05	2500	500	50
HVTP-5	1/2	3/4	.800	20.32	.682	17.32	.937	23.80	2500	500	50
HVTP-55	3/4	7/8	.870	22.10	.732	18.59	1.000	25.40	1000	200	25
HVTP-6	3/4	1-1/16	1.025	26.04	.891	22.63	1.188	30.18	1000	200	25
HVTP-7	1	1-3/16, 1-1/4, 1-5/16	1.275	32.39	1.147	29.13	1.453	36.91	1000	200	25

## MT-SH Series

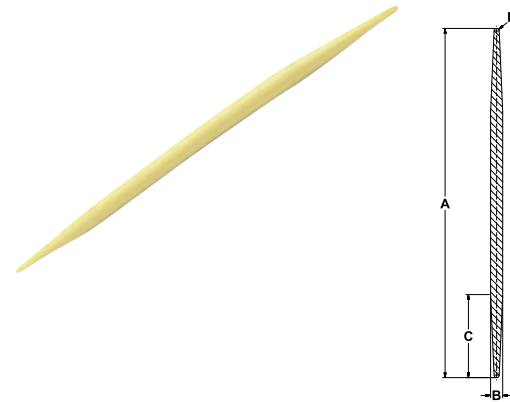
## Mouse-Tail Pull Plugs MT-SH Series



### Mouse-Tail Pull Plugs

- Ideal for small holes
- Stretchable to provide leak-proof seal
- Reusable

**Material:** Silicone or EPDM **Color:** Clear

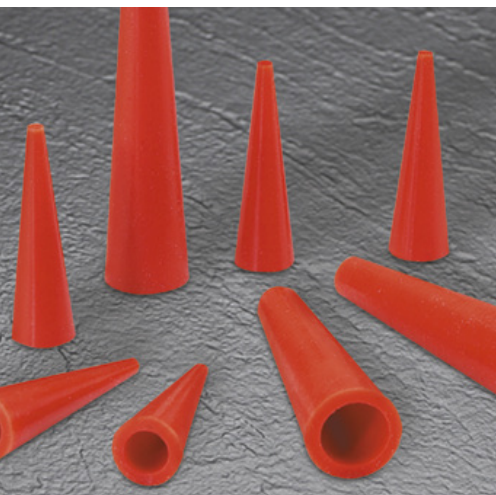


Caplugs No.	Material and Temp Limit	Dimensions								Packaging	
		A		B		C		D		Quantity Per Bag	
		In	mm	In	mm	In	mm	In	mm		
<b>SMT100</b>	Ultrabake 600°F (315°C)	2.000	50.80	.080	2.03	.500	12.70	.025	.64	500	
<b>MT100</b>	E.P.D.M 350°F (177°C)	2.000	50.80	.080	2.03	.500	12.70	.025	.64	500	



## UHCP-SH Series

## Silicone Hollow Cone Plugs UHCP-SH Series

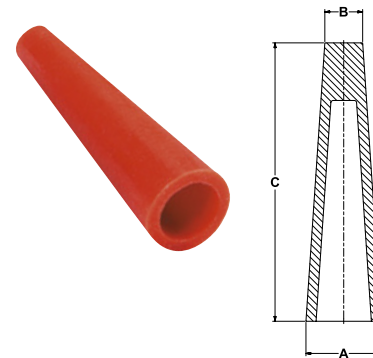


### Silicone Hollow Cone Plugs

Our Ultrabake™ Silicone Hollow Cone Plugs are designed to plug plain and threaded holes; they will mask off the hole and allow finishing up to it. Recommended for Powder coating, e-coating, plating & anodizing.

- Recommended temperatures up to 600°F (315°C)
- Hollow & tapered to make this plug highly versatile
- Ideal for slotted & oval holes
- Reusable

**Material:** Silicone **Color:** See chart for color coding



Caplugs No.	Color	Dimensions						Packaging	
		A		B		C		Quantity Per Bag	
		In	mm	In	mm	In	mm		
<b>UHCP-1</b>	Rusty Red	.580	14.73	.147	3.73	1.900	48.26	250	
<b>UHCP-2</b>	Blue	.787	20.00	.394	10.00	2.900	74.00	100	

## PTP Series

## Tapered Paper Plugs PTP Series



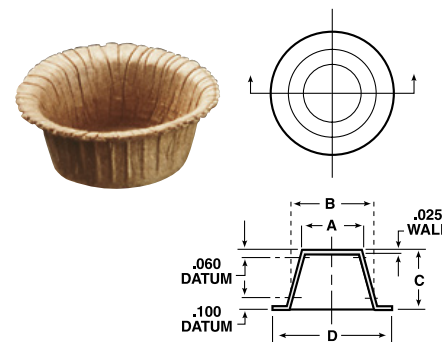
### Tapered Paper Plugs

Manufactured from natural paper which is 100% recyclable, PTP Series Paper Plugs are the answer for applications requiring "environmentally friendly" components. These closures will withstand intermittent temperatures up to 400°F (204°C), making them ideal for high-temperature applications which may degrade typical plastic plugs. The flexibility and tapered design of the PTP Series allow quick, easy installation and removal.

- Made from recycled material
- 100% Recycleable
- Intermittant temperatures to 400°F (204°C)

**Material:** 90 lb. paperboard **Color:** Brown

Note: Products are manufactured from paper which is hygroscopic. This means that there may be minor dimensional variation with changes in relative humidity.



Caplugs No.	Pipe Size Inches	Dimensions								Packaging	
		A		B		C		D		Carton Quantity	Mini Pak Quantity
		In	mm	In	mm	In	mm	In	mm		
<b>PTP-18-3</b>	1/8	.35	8.89	.42	10.67	.34	8.64	.56	14.22	30000	1000
<b>PTP-14-3</b>	1/4	.46	11.68	.50	12.70	.36	9.14	.68	17.27	18000	1000
<b>PTP-38-3</b>	3/8	.58	14.73	.70	17.78	.48	12.19	.87	22.10	16000	1000
<b>PTP-12-3</b>	1/2	.68	17.27	.82	20.83	.53	13.46	1.04	26.42	10500	1000
<b>PTP-34-3</b>	3/4	.92	23.37	1.11	28.19	.54	13.72	1.38	35.05	6200	1000
<b>PTP-100-3</b>	1	1.18	29.97	1.44	36.58	.64	16.26	1.73	43.94	5000	1000
<b>PTP-114-3</b>	1-1/4	1.50	38.10	1.78	45.21	.69	17.53	2.12	53.85	3000	600
<b>PTP-112-3</b>	1-1/2	1.73	43.94	2.06	52.32	.68	17.27	2.43	61.72	2700	540
<b>PTP-200-3</b>	2	2.22	56.39	2.50	63.50	.64	16.26	2.93	74.42	1800	360
<b>PTP-212-3</b>	2-1/2	2.64	67.06	3.15	80.01	.75	19.05	3.57	90.68	1300	260
<b>PTP-300-3</b>	3	3.28	83.31	3.60	91.44	.74	18.80	4.09	103.89	1000	200

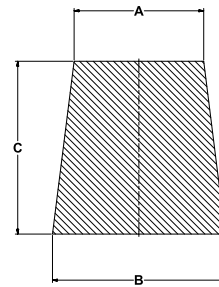
## RCK-SH & SCK-SH Series

### Cork Plugs

Our cork series are used to plug and mask plain holes. Recommended for painting applications, but may also be used to protect during plating, anodizing and blasting processes. Also good for protection during transportation. It can be used on plain and threaded bores.

- Recommended temperatures up to 300°F (149°C)
- Can be cut to desired length
- Reusable depending on application
- RC = regular cork, SC = short cork

**Material:** Cork **Color:** Natural



## Cork Plugs RCK-SH & SCK-SH Series

Caplugs No.	Dimensions						Packaging
	A		B		C		Quantity
	In	mm	In	mm	In	mm	
RC0000	.093	2.38	.187	4.76	.500	12.70	1000
RC000	.156	3.97	.250	6.35	.500	12.70	1000
RC00	.218	5.56	.312	7.94	.500	12.70	1000
SC0	.234	5.95	.312	7.94	.375	9.53	1000
RC0	.281	7.14	.375	9.53	.500	12.70	1000
RC1	.328	8.33	.437	11.11	.625	15.88	1000
SC1	.343	8.73	.437	11.11	.500	12.70	1000
RC2	.375	9.53	.500	12.70	.689	17.46	1000
SC2	.406	10.32	.500	12.70	.500	12.70	1000
RC3	.421	10.72	.562	14.29	.750	19.05	1000
SC3	.468	11.91	.562	14.29	.500	12.70	1000
RC4	.468	11.91	.625	15.88	.8125	20.64	1000
SC4	.531	13.49	.625	15.88	.500	12.70	1000
RC5	.531	13.49	.687	17.46	.875	22.23	1000
SC5	.562	14.29	.687	17.46	.625	15.88	1000
RC6	.5781	14.68	.750	19.05	.938	23.81	1000
SC6	.625	15.88	.750	19.05	.6250	15.88	1000
RC7	.625	15.88	.812	20.64	1.000	25.40	1000
SC7	.671	17.07	.812	20.64	.750	19.05	1000
RC8	.671	17.07	.875	22.23	1.063	26.99	1000
SC8	.734	18.65	.875	22.23	.750	19.05	1000
RC9	.734	18.65	.937	23.81	1.125	28.58	100
SC9	.796	20.24	.937	23.81	.750	19.05	100
RC10	.765	19.45	1.000	25.40	1.250	31.75	100
SC10	.812	20.64	1.000	25.40	1.000	25.40	100
RC11	.828	21.03	1.062	26.99	1.250	31.75	100
RC12	.890	22.62	1.125	28.58	1.250	31.75	100
RC13	.953	24.21	1.187	30.16	1.250	31.75	100
RC14	1.015	25.80	1.250	31.75	1.250	31.75	100
RC15	1.078	27.38	1.312	33.34	1.250	31.75	100
RC16	1.093	27.78	1.375	34.93	1.500	38.10	100
RC17	1.156	29.37	1.437	36.51	1.500	38.10	100
RC18	1.218	30.96	1.500	38.10	1.500	38.10	100
RC19	1.281	32.54	1.562	39.69	1.500	38.10	100
RC20	1.343	34.13	1.625	41.28	1.500	38.10	100
RC22	1.468	37.31	1.750	44.45	1.500	38.10	100
RC24	1.593	40.48	1.875	47.63	1.500	38.10	100
RC26	1.718	43.66	2.000	50.80	1.500	38.10	100
RC28	1.843	46.83	2.1250	53.98	1.500	38.10	100
RC30	1.968	50.01	2.250	57.15	1.500	38.10	100



## STPS-SH Series

### Self-Threading Plugs

Self-threading plugs are self-tapping & create a leak-proof seal. The handles have holes that can be used for hanging. Recommended for painting, plating & anodizing.

- Recommended temperatures up to 180°F (82°C)
- Chemical resistant

**Material:** Low-Density Polyethylene **Color:** White



## Self-Threading Plugs STPS-SH Series

Caplugs No.	Thread Size		Packaging Quantity
	From	To	
STPS-1/4	1/4 - 20	1/4 - 28	100
STPS-5/16	5/16 - 18	5/16 - 24	100
STPS-3/8	3/8 - 16	3/8 - 24	100
STPS-1/2	1/2 - 13	1/2 - 20	100
STPS-2	2 - 56	2 - 64	500
STPS-3	3 - 48	3 - 56	500
STPS-4	4 - 40	4 - 48	500
STPS-6	6 - 32	6 - 40	500
STPS-8	8 - 32	8 - 36	500
STPS-10	10 - 24	10 - 32	500
STPS-12	12 - 24	12 - 28	100



## US-SH Series

### Silicone Sheeting

Ultrabake™ Silicone Sheeting can be used to cover large areas. Can also be die cut into shapes and can be used in conjunction with a double sided tape, to mask off large areas. Alternatively it can simply provide a liner or protective layer on areas that will come into contact with heat. Ideal for Powder coating, E-coating, Plating, Anodizing & Spray painting.

- Temperatures up to 600°F (315°C)
- Flexible
- Can be die cut into shapes for gaskets, pads, strips, washers or seals
- Reusable

**Material:** Silicone **Color:** Rusty Red



## Silicone Sheeting US-SH Series

Caplugs No.	Dimensions				
	Length/Width		Thickness		
	In	mm	Fraction	In	mm
US031-36	36 square inch	914 mm square	.031	1/32	.79
US062-36	36 square inch	914 mm square	.062	1/16	1.57
US093-36	36 square inch	914 mm square	.093	3/32	2.36
US125-36	36 square inch	914 mm square	.125	1/8	3.18
US187-36	36 square inch	914 mm square	.187	3/16	4.75
US250-36	36 square inch	914 mm square	.250	1/4	6.35
US375-36	36 square inch	914 mm square	.375	3/8	9.53
US500-36	36 square inch	914 mm square	.500	1/2	12.70



## MDT-SH Series

### Multi-Diameter Silicone Tubing

Ultrabake™ Multi-Diameter Tubing can be used to cover plain and threaded studs, shafts or other cylindrical parts; it will mask off the studs and can be used to mask off areas of shafts. Ideal for Powder coating, E-coating, Plating, Anodizing & Spray painting.

- Temperatures up to 600°F (315°C)
- Flexible to fit a wide range of diameters
- Cut to length
- Reusable

**Material:** Silicone **Color:** Rusty Red



## Multi-Diameter Silicone Tubing MDT-SH Series

Caplugs No.	Dimensions					
	Diameter Minimum		Diameter Maximum		Coil Length	
	In	mm	In	mm	Feet	Meters
MDT0350-0650	.350	8.89	.650	16.51	100	30
MDT0650-2250	.650	16.51	1.500	38.10	50	15



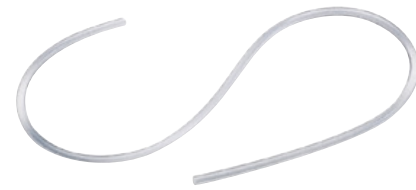
## UC-SH Series

### Silicone Cord

Ultrabake™ Silicone Cord can be used as a gasket or O-ring type material to mask off grooves, slots or keyways. Ideal for Powder coating, E-coating, Plating, Anodizing & Spray painting.

- Temperatures up to 600°F (315°C)
- Flexible
- Cut to size
- Reusable

**Material:** Silicone **Color:** Clear



## Silicone Cord UC-SH Series

Caplugs No.	Dimensions			
	Diameter		Coil Length	
	In	mm	Feet	Meters
UC0070	.070	1.78	100	30
UC0093	.093	2.36	100	30
UC0103	.103	2.62	100	30
UC0125	.125	3.18	100	30
UC0139	.139	3.53	100	30
UC0156	.156	3.96	100	30
UC0187	.187	4.75	100	30
UC0210	.210	5.33	100	30
UC0250	.250	6.35	100	30
UC0275	.275	6.99	100	30
UC0312	.312	7.92	100	30
UC0375	.375	9.53	50	15
UC0437	.437	11.10	50	15
UC0500	.500	12.70	50	15
UC0562	.562	14.27	50	15



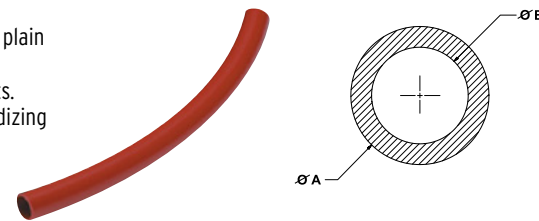
## ST-SH Series

### Silicone Tubing

Ultrabake™ Silicone Tubing can be used to cover plain and threaded studs or shafts; it will mask off the studs and can be used to mask off areas of shafts. Ideal for Powder coating, E-coating, Plating, Anodizing & Spray painting.

- Temperatures up to 600°F (315°C)
- 1/16" wall thickness
- Flexible
- Cut to length
- Reusable

**Material:** Silicone **Color:** Rusty Red and Clear



## Silicone Tubing ST-SH Series

Caplugs No.	Color	Dimensions					
		OD (ØA)		ID (ØB)		Coil Length	
		In	mm	In	mm	In	mm
ST0040	Clear	.165	4.19	.040	1.02	100	30
ST0062	Clear	.187	4.75	.062	1.57	100	30
ST0080	Clear	.205	5.21	.080	2.03	100	30
ST0093	Clear	.218	5.54	.093	2.36	100	30
ST0109	Clear	.234	5.94	.109	2.77	100	30
ST0125	Clear	.250	6.35	.125	3.18	100	30
ST0140	Clear	.265	6.73	.140	3.56	100	30
ST0156	Clear	.281	7.14	.156	3.96	100	30
ST0172	Clear	.297	7.54	.172	4.37	100	30
ST0187	Clear	.312	7.92	.187	4.75	100	30
ST0203	Clear	.328	8.33	.203	5.16	100	30
ST0218	Clear	.343	8.71	.218	5.54	100	30
ST0234	Clear	.359	9.12	.234	5.94	100	30
ST0250	Clear	.375	9.53	.250	6.35	100	30
ST0281	Clear	.406	10.31	.281	7.14	100	30
ST0312	Clear	.437	11.10	.312	7.92	100	30
ST0343	Clear	.468	11.89	.343	8.71	100	30
ST0375	Clear	.500	12.70	.375	9.53	100	30
ST0406	Clear	.531	13.49	.406	10.31	100	30
ST0437	Clear	.562	14.27	.437	11.10	100	30
ST0500	Clear	.625	15.88	.500	12.70	100	30
ST0625	Clear	.750	19.05	.625	15.88	50	15
ST0750	Rusty Red	.875	22.23	.750	19.05	50	15
ST0875	Rusty Red	1.000	25.40	.875	22.23	50	15
ST0937	Rusty Red	1.062	26.97	.937	23.80	50	15
ST1000	Rusty Red	1.125	28.58	1.000	25.40	50	15
ST1125	Rusty Red	1.250	31.75	1.125	28.58	50	15
ST1250	Rusty Red	1.375	34.93	1.250	31.75	50	15
ST1375	Rusty Red	1.500	38.10	1.375	34.93	50	15
ST1500	Rusty Red	1.625	41.28	1.500	38.10	50	15
ST1625	Rusty Red	1.750	44.45	1.625	41.28	50	15
ST1750	Rusty Red	1.875	47.63	1.750	44.45	50	15
ST1875	Rusty Red	2.000	50.80	1.875	47.63	50	15
ST2000	Rusty Red	2.125	53.98	2.000	50.80	50	15



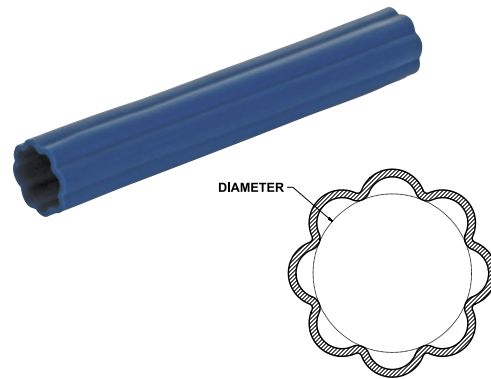
## UST-SH Series

### Silicone Star Tubing

Ultrabake™ Silicone Star Tubing can be used to cover plain and threaded studs, shafts or other cylindrical parts; it will mask off the studs and can be used to mask off areas of shafts. Ideal for Powder coating, E-coating, Plating, Anodizing & Spray painting.

- Temperatures up to 600°F (315°C)
- Star Shape allows for easy removal
- Flexible to fit a wide range of diameters
- Cut to length
- Reusable

**Material:** Silicone **Color:** See chart for color coding  
**Optional Colors:** Various



## Silicone Star Tubing UST-SH Series

Caplugs No.	Color	Dimensions			
		Diameter		Coil Length	
		In	mm	Feet	Meters
UST-0500	Rusty Red	.500	12.70	100	30
UST-0750	Green	.750	19.05	50	15
UST-1000	Green	1.000	25.40	50	15
UST-1500	Rusty Red	1.500	38.10	50	15

## CSC Series

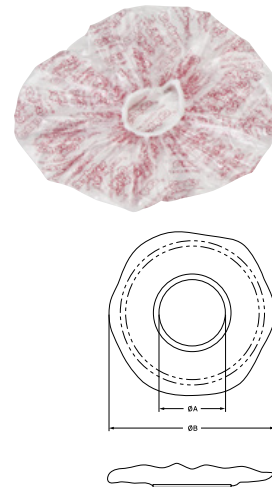
### Clear Stretchable Covers

The CSC series, commonly known as shower caps, are economical covers for a wide range of industrial and consumer applications. These covers can be stretched over a variety of applications to protect from dust, contaminant, and moisture. Ideal for masking applications, these plastic covers can be quickly installed and removed. To ensure the cover is visible once on an application, the Caplugs logo is pad printed across the cover in red.

- Available in 8 different sizes, ranging from 3 3/4" to 17 1/2" in diameter (when laying flat)
- Reusable
- Manufactured of 3 mil. transparent polyethylene film and secured with a durable elastic band

**Material:** Polyethylene **Color:** Clear/Translucent

**Note:** Maximum fit/stretch capabilities are not provided, as that will greatly depend upon the application. To ensure you choose the best fit, we encourage you to sample the desired size prior to placing an order.



## Clear Stretchable Covers CSC Series

Caplugs No.	Dimensions				Packaging Carton Quantity
	A		B		
	In	mm	In	mm	
CSC-3750	1.50	38.10	3.75	95.25	100
CSC-4500	1.50	38.10	4.50	114.30	100
CSC-5500	1.50	38.10	5.50	139.70	100
CSC-7000	1.50	38.10	7.00	177.80	100
CSC-9000	2.25	57.15	9.00	228.60	100
CSC-11500	2.88	73.15	11.50	292.10	50
CSC-14500	3.63	92.20	14.50	368.30	50
CSC-17500	4.38	111.25	17.50	444.50	50



## SRT-SH Series

### Silicone Tape

Ultrabake™ Silicone Tape is a wrapping tape. It does not have an adhesive, but can bond to itself as it is wrapped around items. It will mask off the ends or sections of shafts and tubes. Can also be used to form a tough resilient void free insulation. SRT is contoured so that as it is spiraled around and along, it forms a consistent thick layer of tape. Ideal for Powder coating, E-coating, Plating, Anodizing & Spray painting.

- Temperatures up to 600°F (315°C)
- Self-adhering & Self-fusing
- Flexible
- Cut to length
- Reusable

**Material:** Silicone **Color:** See chart for color coding



## Silicone Tape SRT-SH Series

Caplugs No.	Color	Dimensions		
		Width	Thickness	Length
		In	mils	Feet
SRT0750-20	Black	.750	20	36
SRT1000-20	Grey	1.000	20	36
SRT1000-30	Orange	1.000	30	36
SRT1500-20	Red	1.500	20	36
SRT1500-30	Blue	1.500	30	36
SRT1750-20	Green	1.750	20	36
SRT2000-20	Yellow	2.000	20	36
SRT2000-30	White	2.000	30	36
SRT0753-10R	Red	.750	10	54
SRT0753-20R	Blue	.750	20	36

Tape Series Polyester, Polyimide, Glass Cloth and Paper Masking Tapes

Polyester, Polyimide, Glass Cloth and Paper Masking Tapes Tape Series

†PC23-SH is available and is a slightly thicker version of the PC21-SH tape. Color: Red  
Contact customer service for more information.

\*Length of roll = 36 yards

‡ Total thickness

◆ Some KD11-SH tape sizes vary from chart.  
Visit [www.caplugs.com](http://www.caplugs.com) or contact customer service for exact dimensions.



Used as electrical and thermal insulation for cable wrap, splicing tape and solder masks for circuit boards.  
Ideal for powder coating, blasting, stenciling and electrical insulation. Strong tensile strength and tear resistance.  
Heavy duty, double-thick tape for strong rigidity and tear strength. Ideal for larger surfaces.

Description			22-SH	PC198-SH	PC25-SH
Item Category			Polyimide	Glass cloth	Polyester
Film Type			500°F (260°C)	500°F (260°C)	400°F (204°C)
Max. Temp.			Amber	White	Green
Color			1 mil	5.4 mil	5 mil
Film			1.5 mil	2.1 mil	1.5 mil
Adhesive			Silicone	Silicone	Silicone
Adhesive Type			36 yds.	36 yds.	72 yds.
Length			Extreme High Temp		Heavy Duty
Size		Packaging			
Fraction	Decimal	Rolls/Case			
1/8	.125	36	220125	PC1980125	
3/16	.187				
1/4	.250	36	220250	PC1980250	PC250250
5/16	.312				
3/8	.375	24	220375	PC1980375	PC250375
7/16	.437				
1/2	.500	18	220500	PC1980500	PC250500
5/8	.625	12	220625	PC1980625	
3/4	.750	12	220750	PC1980750	PC250750
7/8	.875				
1	1.000	12	221000	PC1981000	PC251000
1-1/4	1.250	9	221250	PC1981250	
1-1/2	1.500	6	221500	PC1981500	
1-3/4	1.750				
2	2.000	6	222000	PC1982000	PC252000
2-1/2	2.500	4	222500	PC1982500	
3	3.000	4	223000	PC1983000	PC253000
3-1/2	3.500				
4	4.000	4	224000	PC1984000	PC254000
4-1/2	4.500				
5	5.000	2			PC255000
5-1/2	5.500				
6	6.000	2	226000	PC1986000	PC256000
7	7.000	2			PC257000
8	8.000	2			PC258000
9	9.000	1			PC259000
10	10.000	1			PC2510000

METRIC SIZES					
Size		Packaging	Extreme High Temp		Heavy Duty
Width (mm)		Rolls/Case			
5 mm		36	225MM	PC1985MM	
10 mm		24	2210MM	PC19810MM	
15 mm		18	2215MM	PC19815MM	
20 mm		12	2220MM	PC19820MM	
25 mm		12	2225MM	PC19825MM	
30 mm		12	2230MM	PC19830MM	
35 mm					
40 mm		6	2240MM	PC19840MM	
45 mm		6	2245MM	PC19845MM	
50 mm		6	2250MM	PC19850MM	
80 mm		4	2280MM	PC19880MM	
100 mm		4	22100MM	PC198100MM	
150 mm		2	22150MM	PC198150MM	



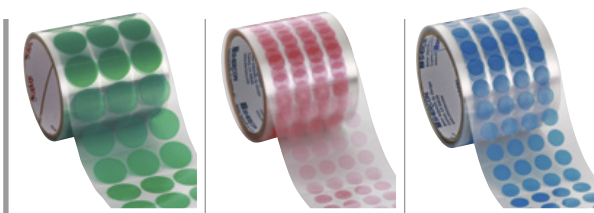
Ideal for powder coating, e-coating and anodizing. Increased stiffness for ease of application.  
A lighter-duty, more economical masking option for powder coating.  
Ideal for powder coating and e-coating. Best suited for curved surfaces.  
A light weight, thin tape ideal for curved surfaces or profiles. Used primarily for powder coating.  
Pressure-sensitive tape for wet strip applications. Good conformability and resistance to paint flaking.

Description			PC21-SH†	PC30-SH	PC11-SH	PC90-SH	KD11-SH
Item Category			Polyester	Polyester	Polyester	Polyester	Crepe paper
Film Type			400°F (204°C)	400°F (204°C)	425°F (218°C)	400°F (204°C)	300°F (149°C)
Max. Temp.			Green	Yellow	Red	Blue	Off-white
Color			2 mil	2 mil	2 mil	1 mil	7.5 mil‡
Film			1.5 mil	1.5 mil	1.5 mil	2 mil	
Adhesive			Silicone	Silicone	Silicone	Silicone	Acrylic
Adhesive Type			72 yds.	72 yds.	72 yds.	72 yds.	60 yds.
Length			Standard Polyester (High Temp)				Low Temp
Size		Packaging					
Fraction	Decimal	Rolls/Case					
1/8	.125	144	PC210125	PC300125	PC110125*	PC900125*	KD110125
3/16	.187	144	PC210187	PC300187		PC900187*	
1/4	.250	144	PC210250	PC300250	PC110250	PC900250*	KD110250
5/16	.312	96	PC210312	PC300312	PC110312	PC900312	
3/8	.375	96	PC210375	PC300375	PC110375	PC900375	KD110375
7/16	.437	72	PC210437	PC300437	PC110437	PC900437	
1/2	.500	72	PC210500	PC300500	PC110500	PC900500	KD110500 ◆
5/8	.625	48	PC210625	PC300625	PC110625	PC900625	KD110625
3/4	.750	48	PC210750	PC300750	PC110750	PC900750	KD110750 ◆
7/8	.875	36	PC210875	PC300875	PC110875	PC900875	
1	1.000	36	PC211000	PC301000	PC111000	PC901000	KD111000 ◆
1-1/4	1.250	24	PC211250	PC301250	PC111250	PC901250	KD111250
1-1/2	1.500	24	PC211500	PC301500	PC111500	PC901500	KD111500
1-3/4	1.750	24	PC211750	PC301750	PC111750	PC901750	
2	2.000	24	PC212000	PC302000	PC112000	PC902000	KD112000 ◆
2-1/2	2.500	12	PC212500	PC302500	PC112500	PC902500	KD112500
3	3.000	12	PC213000	PC303000	PC113000	PC903000	KD113000 ◆
3-1/2	3.500	8	PC213500	PC303500	PC113500	PC903500	
4	4.000	8	PC214000	PC304000	PC114000	PC904000	KD114000
4-1/2	4.500	8	PC214500	PC304500	PC114500		
5	5.000	8	PC215000	PC305000	PC115000	PC905000	
5-1/2	5.500	8	PC215500	PC305500	PC115500	PC905500	
6	6.000	8	PC216000	PC306000	PC116000	PC906000	KD116000
7	7.000	4	PC217000	PC307000	PC117000	PC907000	
8	8.000	4	PC218000	PC308000	PC118000	PC908000	
9	9.000	4	PC219000	PC309000	PC119000	PC909000	

METRIC SIZES							
Size		Packaging	Standard Polyester (High Temp)				Low Temp
Width (mm)		Rolls/Case					
5 mm		144	PC215MM*	PC305MM*	PC115MM*	PC905MM*	KD115MM
10 mm		96	PC2110MM	PC3010MM	PC1110MM	PC9010MM	KD1110MM
15 mm		72	PC2115MM	PC3015MM	PC1115MM	PC9015MM	KD1115MM
20 mm		48	PC2120MM	PC3020MM	PC1120MM	PC9020MM	KD1120MM
25 mm		48	PC2125MM	PC3025MM	PC1125MM	PC9025MM	KD1125MM
30 mm		36	PC2130MM	PC3030MM	PC1130MM	PC9030MM	KD1130MM
35 mm		36	PC2135MM	PC3035MM	PC1135MM	PC9035MM	
40 mm		24	PC2140MM	PC3040MM	PC1140MM	PC9040MM	KD1140MM
45 mm		24	PC2145MM	PC3045MM	PC1145MM	PC9045MM	KD1145MM
50 mm		12	PC2150MM	PC3050MM	PC1150MM	PC9050MM	KD1150MM
80 mm		8	PC2180MM	PC3080MM	PC1180MM	PC9080MM	KD1180MM
100 mm		8	PC21100MM	PC30100MM	PC11100MM	PC90100MM	KD11100MM
150 mm		8	PC21150MM	PC30150MM	PC11150MM	PC90150MM	KD11150MM

Die Cut Discs Series

Polyester, Polyimide, Cloth and Paper Masking Tape Discs



Ideal for powder coating and e-coating  
 Ideal for powder coating and e-coating  
 Ideal for powder coating and e-coating

Description				PC-SH	PR-SH	PB-SH
Item Category				Polyester	Polyester	Polyester
Film Type				400°F (204°C)	425°F (220°C)	400°F (204°C)
Max. Temp.				Green	Red	Blue
Color				2 mil	2 mil	1 mil
Film				1.5 mil	1.5 mil	2 mil
Adhesive				Silicone	Silicone	Silicone
Adhesive Type				Standard Polyester (High Temp)		
Size			Quantity Per Roll			
Fraction	Decimal	Metric				
3/32	.093	2.36	1000			
1/8	.125	3.18	2000	PC00125	PR00125	PB00125
5/32	.156	3.96	1000			
3/16	.187	4.75	2000	PC00187	PR00187	PB00187
7/32	.218	5.54	1000			
1/4	.250	6.35	2000	PC00250	PR00250	PB00250
9/32	.281	7.14	1000			
5/16	.312	7.92	2000	PC00312	PR00312	PB00312
11/32	.343	8.71	1000			
3/8	.375	9.53	2000	PC00375	PR00375	PB00375
13/32	.406	10.31	1000			
7/16	.437	11.10	2000	PC00437	PR00437	PB00437
15/32	.468	11.89	1000			
1/2	.500	12.70	2000	PC00500	PR00500	PB00500
17/32	.531	13.49	1000			
9/16	.562	14.27	2000	PC00562	PR00562	PB00562
19/32	.594	15.09	1000			
5/8	.625	15.88	2000	PC00625	PR00625	PB00625
21/32	.656	16.66	1000			
11/16	.687	17.45	1000	PC00687	PR00687	PB00687
23/32	.719	18.26	1000			
3/4	.750	19.05	1000	PC00750	PR00750	PB00750
13/16	.812	20.62	1000	PC00812	PR00812	PB00812
7/8	.875	22.23	500	PC00875	PR00875	PB00875
15/16	.937	23.80	500	PC00937	PR00937	PB00937
1	1.000	25.40	500	PC01000	PR01000	PB01000
1-1/16	1.062	26.97	500	PC01062	PR01062	PB01062
1-1/8	1.125	28.58	500	PC01125	PR01125	PB01125
1-3/16	1.187	30.15	500	PC01187	PR01187	PB01187
1-1/4	1.250	31.75	500	PC01250	PR01250	PB01250
1-5/16	1.312	33.32	500	PC01312	PR01312	PB01312
1-3/8	1.375	34.93	500	PC01375	PR01375	PB01375
1-7/16	1.437	36.50	500	PC01437	PR01437	PB01437
1-1/2	1.500	38.10	500	PC01500	PR01500	PB01500
1-9/16	1.562	39.67	500	PC01562	PR01562	PB01562
1-5/8	1.625	41.28	250	PC01625	PR01625	PB01625
1-11/16	1.687	42.85	250	PC01687	PR01687	PB01687
1-3/4	1.750	44.45	250	PC01750	PR01750	PB01750
1-13/16	1.812	46.02	250	PC01812	PR01812	PB01812

Larger sizes continue on page 200

Polyester, Polyimide, Cloth and Paper Masking Tape Discs Die Cut Discs Series



Ideal for powder coating, wave soldering, thermal and electrical insulation  
 Ideal for thermal spray and powder coating. Excellent abrasion and solvent resistance with strong tensile strength.



Ideal for all high temperature finishing processes.  
 Ideal for powder-coating and other high temperature finishing processes

Description				KP-SH	GC-SH	KD-SH	EZ-SH
Item Category				Polyimide	Glass Cloth	Crepe Paper	Crepe Paper
Film Type				500°F (260°C)	500°F (260°C)	300°F (149°C)	200°F (93°C)
Max. Temp.				Amber	White	Off-White	Off-White
Color				1 mil	5.4 mil	7.5±	7.5±
Film				1.5 mil	2.1 mil		
Adhesive				Silicone	Silicone	Acrylic	Acrylic
Adhesive Type				Extreme High Temp		Low Temp	
Size			Quantity Per Roll				
Fraction	Decimal	Metric					
3/32	.093	2.36	1000			KD00093	EZ00093
1/8	.125	3.18	2000	KP00125	GC00125	KD00125	EZ00125
5/32	.156	3.96	1000			KD00156	EZ00156
3/16	.187	4.75	2000	KP00187	GC00187	KD00187*	EZ00187
7/32	.218	5.54	1000			KD00218*	EZ00218
1/4	.250	6.35	2000	KP00250	GC00250	KD00250*	EZ00250
9/32	.281	7.14	1000			KD00281*	EZ00281
5/16	.312	7.92	2000	KP00312	GC00312	KD00312*	EZ00312
11/32	.343	8.71	1000			KD00343*	EZ00343
3/8	.375	9.53	2000	KP00375	GC00375	KD00375*	EZ00375
13/32	.406	10.31	1000			KD00406*	EZ00406
7/16	.437	11.10	2000	KP00437	GC00437	KD00437*	EZ00437
15/32	.468	11.89	1000			KD00468*	EZ00468
1/2	.500	12.70	2000	KP00500	GC00500	KD00500*	EZ00500
17/32	.531	13.49	1000			KD00531*	EZ00531
9/16	.562	14.27	2000	KP00562	GC00562	KD00562*	EZ00562
19/32	.594	15.09	1000			KD00594*	EZ00594
5/8	.625	15.88	2000	KP00625	GC00625	KD00625*	EZ00625
21/32	.656	16.66	1000			KD00656*	EZ00656
11/16	.687	17.45	1000	KP00687	GC00687	KD00687*	EZ00687
23/32	.719	18.26	1000			KD00719*	EZ00719
3/4	.750	19.05	1000	KP00750	GC00750	KD00750*	EZ00750
13/16	.812	20.62	1000	KP00812	GC00812	KD00812*	EZ00812
7/8	.875	22.23	500	KP00875	GC00875	KD00875*	EZ00875
15/16	.937	23.80	500	KP00937	GC00937	KD00937*	EZ00937
1	1.000	25.40	500	KP01000	GC01000	KD01000*	EZ01000
1-1/16	1.062	26.97	500	KP01062	GC01062	KD01062	EZ01062
1-1/8	1.125	28.58	500	KP01125	GC01125	KD01125	EZ01125
1-3/16	1.187	30.15	500	KP01187	GC01187	KD01187	EZ01187
1-1/4	1.250	31.75	500	KP01250	GC01250	KD01250	EZ01250
1-5/16	1.312	33.32	500	KP01312	GC01312	KD01312	EZ01312
1-3/8	1.375	34.93	500	KP01375	GC01375	KD01375	EZ01375
1-7/16	1.437	36.50	500	KP01437	GC01437	KD01437	EZ01437
1-1/2	1.500	38.10	500	KP01500	GC01500	KD01500	EZ01500
1-9/16	1.562	39.67	500	KP01562	GC01562	KD01562	EZ01562
1-5/8	1.625	41.28	250	KP01625	GC01625	KD01625	EZ01625
1-11/16	1.687	42.85	250	KP01687	GC01687	KD01687	EZ01687
1-3/4	1.750	44.45	250	KP01750	GC01750	KD01750	EZ01750
1-13/16	1.812	46.02	250	KP01812	GC01812	KD01812	EZ01812

Larger sizes continue on page 201

\* Overlapped from 3/16" to 1" for rapid application.  
 ‡ Total thickness

Die Cut Discs Series

Polyester, Polyimide, Cloth and Paper Masking Tape Discs (cont.)



Ideal for powder coating and e-coating

Ideal for powder coating and e-coating

Ideal for powder coating and e-coating

Description				PC-SH	PR-SH	PB-SH
Item Category				Polyester	Polyester	Polyester
Film Type				Polyester	Polyester	Polyester
Max. Temp.				400°F (204°C)	425°F (220°C)	400°F (204°C)
Color				Green	Red	Blue
Film				2 mil	2 mil	1 mil
Adhesive				1.5 mil	1.5 mil	2 mil
Adhesive Type				Silicone	Silicone	Silicone
Size		Quantity Per Roll		Standard Polyester (High Temp)		
Fraction	Decimal	Metric	Quantity Per Roll	PC01875	PR01875	PB01875
1-7/8	1.875	47.63	250	PC01937	PR01937	PB01937
1-15/16	1.937	49.20	250	PC02000	PR02000	PB02000
2	2.000	50.80	100			
2-1/8	2.125	53.98	100			
2-1/4	2.250	57.15	100	PC02250	PR02250	PB02250
2-3/8	2.375	60.33	100			
2-1/2	2.500	63.50	100	PC02500	PR02500	PB02500
2-5/8	2.625	66.68	100			
2-3/4	2.750	69.85	100	PC02750	PR02750	PB02750
2-7/8	2.875	73.03	100			
3	3.000	76.20	100	PC03000	PR03000	PB03000
3-1/4	3.250	82.55	100	PC03250	PR03250	PB03250
3-1/2	3.500	88.90	100	PC03500	PR03500	PB03500
3-3/4	3.750	95.25	100	PC03750	PR03750	PB03750
4	4.000	101.60	100	PC04000	PR04000	PB04000
4-1/4	4.250	107.95	100	PC04250	PR04250	PB04250
4-1/2	4.500	114.30	100	PC04500	PR04500	PB04500
4-3/4	4.750	120.65	100	PC04750	PR04750	PB04750
5	5.000	127.00	100	PC05000	PR05000	PB05000
5-1/4	5.250	133.35	100	PC05250	PR05250	PB05250
5-1/2	5.500	139.70	100	PC05500	PR05500	PB05500
5-3/4	5.750	146.05	100	PC05750	PR05750	PB05750
6	6.000	152.40	100	PC06000	PR06000	PB06000

Continued from page 198

Polyester, Polyimide, Cloth and Paper Masking Tape Discs (cont.) Die Cut Discs Series



Ideal for powder coating, wave soldering, thermal and electrical insulation

Ideal for thermal spray and powder coating. Excellent abrasion and solvent resistance with strong tensile strength.



Ideal for all high temperature finishing processes.

Ideal for powder-coating and other high temperature finishing processes

Description				KP-SH	GC-SH	KD-SH	EZ-SH
Item Category				Polyimide	Glass Cloth	Crepe Paper	Crepe Paper
Film Type				Polyimide	Glass Cloth	Crepe Paper	Crepe Paper
Max. Temp.				500°F (260°C)	500°F (260°C)	300°F (149°C)	200°F (93°C)
Color				Amber	White	Off-White	Off-White
Film				1 mil	5.4 mil	7.5±	7.5±
Adhesive				1.5 mil	2.1 mil		
Adhesive Type				Silicone	Silicone	Acrylic	Acrylic
Size		Quantity Per Roll		Extreme High Temp		Low Temp	
Fraction	Decimal	Metric	Quantity Per Roll	KP01875	GC01875	KD01875	EZ01875
1-7/8	1.875	47.63	250	KP01937	GC01937	KD01937	EZ01937
1-15/16	1.937	49.20	250	KP02000	GC02000	KD02000	EZ02000
2	2.000	50.80	100			KD02125	EZ02125
2-1/8	2.125	53.98	100	KP02250		KD02250	EZ02250
2-1/4	2.250	57.15	100			KD02375	EZ02375
2-3/8	2.375	60.33	100			KD02500	EZ02500
2-1/2	2.500	63.50	100	KP02500	GC02500	KD02625	EZ02625
2-5/8	2.625	66.68	100			KD02750	EZ02750
2-3/4	2.750	69.85	100	KP02750	GC02750	KD02875	EZ02875
2-7/8	2.875	73.03	100			KD03000	EZ03000
3	3.000	76.20	100	KP03000	GC03000	KD03250	EZ03250
3-1/4	3.250	82.55	100	KP03250		KD03500	EZ03500
3-1/2	3.500	88.90	100	KP03500		KD03750	EZ03750
3-3/4	3.750	95.25	100	KP03750		KD04000	EZ04000
4	4.000	101.60	100	KP04000		KD04250	EZ04250
4-1/4	4.250	107.95	100	KP04250		KD04500	EZ04500
4-1/2	4.500	114.30	100	KP04500		KD04750	EZ04750
4-3/4	4.750	120.65	100	KP04750		KD05000	EZ05000
5	5.000	127.00	100	KP05000		KD05250	EZ05250
5-1/4	5.250	133.35	100	KP05250		KD05500	EZ05500
5-1/2	5.500	139.70	100	KP05500		KD05750	EZ05750
5-3/4	5.750	146.05	100	KP05750		KD06000	EZ06000
6	6.000	152.40	100	KP06000			

Continued from page 199

± Total thickness

Caplugs' comprehensive custom die-cutting capabilities include:

- Prototypes in 24 hours
- Custom die-cut designs from a simple sketch or drawing
- We can hold tolerances of ± 0.002" on a 24" length



Create your perfect solution with our custom die-cutting capabilities:

- Masks supplied in rolls, sheets or pre-assembled kits
- Capacity for full in-house custom converting
- Custom die-cut samples provided upon drawing approval



Die Cut Discs Series Plating/Anodizing Discs



Versatile material that is highly conformable and resistant to most chemicals.



Ideal for painting, stripping and electroplating. Thermally conductive and resistant to chemicals and moisture.



Best suited from chrome, cadmium, nickel plating and chemical milling. Acid resistant and electrically conductive

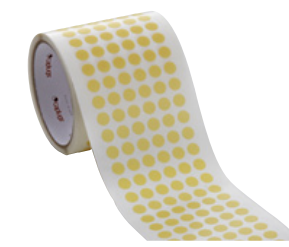
Description

Item Category				TF-SH	AF-SH*	LF-SH
Material				Teflon	Aluminum Foil	Lead Foil
Max. Temp.				400°F (204°C)	300°F (149°C)	225°F (107°C)
Color				Grey	Silver	Silver
Film				2 mil	2.8 mil	4.7
Adhesive				1.7 mil	1.8 mil	2.1
Adhesive Type				Silicone	Acrylic	Foil
Size			Quantity Per Roll	Item Category		
Fraction	Decimal	Metric		TF-SH	AF-SH*	LF-SH
1/8	.125	3.18	2000	TF00125	AF00125	LF00125
3/16	.187	4.75	2000	TF00187	AF00187	LF00187
1/4	.250	6.35	2000	TF00250	AF00250	LF00250
5/16	.312	7.92	2000	TF00312	AF00312	LF00312
3/8	.375	9.53	2000	TF00375	AF00375	LF00375
7/16	.437	11.10	2000	TF00437	AF00437	LF00437
1/2	.500	12.70	2000	TF00500	AF00500	LF00500
9/16	.562	14.27	2000	TF00562	AF00562	LF00562
5/8	.625	15.88	2000	TF00625	AF00625	LF00625
11/16	.687	17.45	1000	TF00687	AF00687	LF00687
3/4	.750	19.05	1000	TF00750	AF00750	LF00750
13/16	.812	20.62	1000	TF00812	AF00812	LF00812
7/8	.875	22.23	500	TF00875	AF00875	LF00875
15/16	.937	23.80	500	TF00937	AF00937	LF00937
1	1.000	25.40	500	TF01000	AF01000	LF01000
1-1/16	1.062	26.97	500	TF01062	AF01062	LF01062
1-1/8	1.125	28.58	500	TF01125	AF01125	LF01125
1-3/16	1.187	30.15	500	TF01187	AF01187	LF01187
1-1/4	1.250	31.75	500	TF01250	AF01250	LF01250
1-5/16	1.312	33.32	500	TF01312	AF01312	LF01312
1-3/8	1.375	34.93	500	TF01375	AF01375	LF01375
1-7/16	1.437	36.50	500	TF01437	AF01437	LF01437
1-1/2	1.500	38.10	500	TF01500	AF01500	LF01500
1-9/16	1.562	39.67	500	TF01562	AF01562	LF01562
1-5/8	1.625	41.28	250	TF01625	AF01625	LF01625
1-11/16	1.687	42.85	250	TF01687	AF01687	LF01687
1-3/4	1.750	44.45	250	TF01750	AF01750	LF01750
1-13/16	1.812	46.02	250	TF01812	AF01812	LF01812
1-7/8	1.875	47.63	250	TF01875	AF01875	LF01875
1-15/16	1.937	49.20	250	TF01937	AF01937	LF01937
2	2.000	50.80	100	TF02000	AF02000	LF02000

\*Government specifications: SAE-AMS-T-23397

Tape rolls also available in standard widths.

Plating/Anodizing Discs Die Cut Discs Series



Highly conformable and resistant to chemicals and abrasion.



Ideal for hard and soft anodizing. Conformable and resistant to chemicals and abrasion.

Description

Item Category				EV-SH**	AD-SH†
Material				Electroplaters Vinyl	Anodizing Vinyl
Max. Temp.				170°F (77°C)	170°F (77°C)
Color				White	Tan
Film				6.3 mil	5.7 mil
Adhesive				.8 mil	1 mil
Adhesive Type				Rubber	Rubber
Size			Quantity Per Roll	Item Category	
Fraction	Decimal	Metric		EV-SH**	AD-SH†
1/8	.125	3.18	5000	EV00125	AD00125
3/16	.187	4.75	5000	EV00187	AD00187
1/4	.250	6.35	5000	EV00250	AD00250
5/16	.312	7.92	5000	EV00312	AD00312
3/8	.375	9.53	5000	EV00375	AD00375
7/16	.437	11.10	5000	EV00437	AD00437
1/2	.500	12.70	5000	EV00500	AD00500
9/16	.562	14.27	5000	EV00562	AD00562
5/8	.625	15.88	5000	EV00625	AD00625
11/16	.687	17.45	4000	EV00687	AD00687
3/4	.750	19.05	4000	EV00750	AD00750
13/16	.812	20.62	4000	EV00812	AD00812
7/8	.875	22.23	2000	EV00875	AD00875
15/16	.937	23.80	2000	EV00937	AD00937
1	1.000	25.40	2000	EV01000	AD01000
1-1/16	1.062	26.97	2000	EV01062	AD01062
1-1/8	1.125	28.58	2000	EV01125	AD01125
1-3/16	1.187	30.15	2000	EV01187	AD01187
1-1/4	1.250	31.75	2000	EV01250	AD01250
1-5/16	1.312	33.32	2000	EV01312	AD01312
1-3/8	1.375	34.93	2000	EV01375	AD01375
1-7/16	1.437	36.50	2000	EV01437	AD01437
1-1/2	1.500	38.10	2000	EV01500	AD01500
1-9/16	1.562	39.67	2000	EV01562	AD01562
1-5/8	1.625	41.28	1000	EV01625	AD01625
1-11/16	1.687	42.85	1000	EV01687	AD01687
1-3/4	1.750	44.45	1000	EV01750	AD01750
1-13/16	1.812	46.02	1000	EV01812	AD01812
1-7/8	1.875	47.63	1000	EV01875	AD01875
1-15/16	1.937	49.20	1000	EV01937	AD01937
2	2.000	50.80	500	EV02000	AD02000

\*\* Not recommended for use with ketones, chlorinated hydrocarbons and esters

† Specification: HH-T-0025

Tape rolls also available in standard widths.

## PCD-SH Series

### PC21 Green Polyester Tape Donuts

A die-cut donut version of our PC21 high temperature polyester film tape. It is the industry standard for general purpose powder coating applications. It is used to mask off areas that do not require coating. Recommended for Powder coating, e-coating & anodizing.

- Temperatures up to 400°F (204°C)
- 2 mil polyester, 1.5 mil silicone adhesive
- Silicone adhesive will not leave an adhesive residue

**Material:** Polyester **Color:** Green



## PC21 Green Polyester Tape Donuts PCD-SH Series

Caplugs No.	Dimensions				Packaging Quantity Per Roll
	Width		Length		
	I.D. In	I.D. mm	O.D. In	O.D. mm	
PCD 125x500	.125	3.17	.500	12.70	1000
PCD 187x500	.187	4.75	.500	12.70	1000
PCD 250x500	.250	6.35	.500	12.70	1000
PCD 250x750	.250	6.35	.750	19.05	1000
PCD 125x312	.125	3.17	.312	7.92	1000
PCD 156x375	.156	3.96	.375	14.27	1000
PCD 250x562	.250	6.35	.562	14.27	1000
PCD 281x625	.281	7.13	.625	15.87	1000
PCD 375x875	.375	9.52	.875	22.22	1000
PCD 406x812	.406	10.31	.812	20.62	1000
PCD 500x1250	.500	12.70	1.250	31.75	500
PCD 562x1375	.562	14.27	1.375	34.92	500

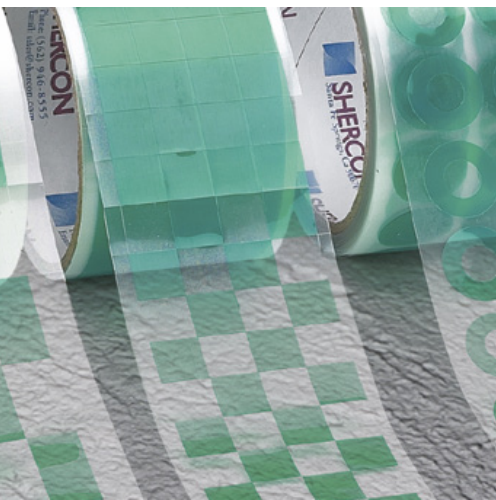
## PC-SH Series

### PC21 Green Polyester Tape Squares

A die-cut square version of our PC21 high temperature polyester film tape. It is the industry standard for general purpose powder coating applications. It is used to mask off areas that do not require coating. Recommended for Powder coating, e-coating & anodizing.

- Temperatures up to 400°F (204°C)
- 2 mil polyester, 1.5 mil silicone adhesive
- Silicone adhesive will not leave an adhesive residue

**Material:** Polyester **Color:** Green



## PC21 Green Polyester Tape Squares PC-SH Series

Caplugs No.	Dimensions				Packaging Quantity Per Roll
	Width		Length		
	In	mm	In	mm	
PC 0250 SQ	.250	6.35	.250	6.35	1000
PC 0375 SQ	.375	9.52	.375	9.52	1000
PC 0500 SQ	.500	12.70	.500	12.70	1000
PC 0625 SQ	.625	15.87	.625	15.87	1000
PC 0750 SQ	.750	19.05	.750	19.05	1000
PC 01000 SQ	1.000	25.40	1.000	25.40	500
PC 01500 SQ	1.500	38.10	1.500	38.10	500
PC 02000 SQ	2.000	50.80	2.000	50.80	250

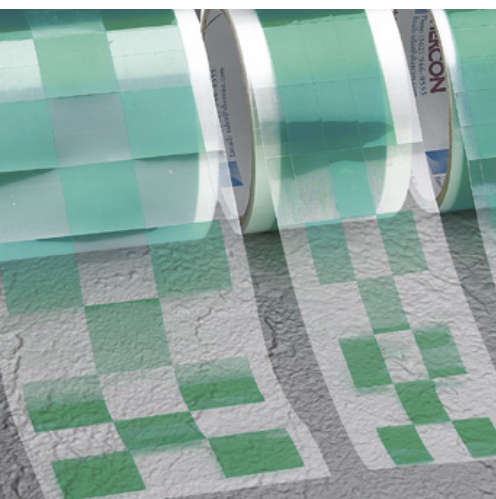
## PC-SH Series

### PC21 Green Polyester Tape Rectangles

A die-cut rectangle version of our PC21 high temperature polyester film tape. It is the industry standard for general purpose powder coating applications. It is used to mask off areas that do not require coating. Recommended for Powder coating, e-coating & anodizing.

- Temperatures up to 400°F (204°C)
- 2 mil polyester, 1.5 mil silicone adhesive
- Silicone adhesive will not leave an adhesive residue

**Material:** Polyester **Color:** Green



## PC21 Green Polyester Tape Rectangles PC-SH Series

Caplugs No.	Dimensions				Packaging Quantity Per Roll
	Width		Length		
	In	mm	In	mm	
PC 250x500 RT	.250	6.35	.500	12.70	1000
PC 250x750 RT	.250	6.35	.750	19.05	1000
PC 250x1000 RT	.250	6.35	1.000	25.40	1000
PC 500x750 RT	.500	12.70	.750	19.05	1000
PC 500x1000 RT	.500	12.70	1.000	25.40	1000
PC 750x1000 RT	.750	19.05	1.000	25.40	500



## AR-SH Series

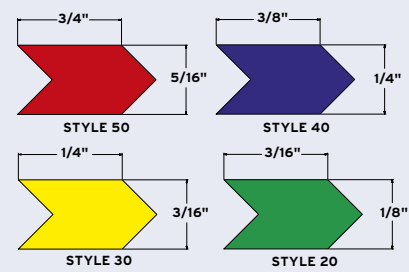
### Identification Arrows

Inspection/identification arrows can be permanently affixed or removed without leaving any residue. Inspection arrows are color coded to identify & point directly to problems areas on any equipment.

- Temperatures up to 425°F (220°C)

- Use for flagging, identification, quality inspections or to indicate repair

**Material:** Paper or Vinyl **Color:** See chart for color coding



### Identification Arrows AR-SH Series

Z = Paper  
F = Fluorescent  
V = Vinyl

Materials	Colors	Marking Discs Part No.	Arrows Part No.	Quantity
Paper	<b>Standard</b> Red, Orange, White, Green, Yellow, Blue	401Z	20Z	1M/5M
		403Z	30Z	1M/5M
		405Z	40Z	1M/5M
		407Z	50Z	1M/5M
		411Z		1M/5M
		401F	20ZF	1M/5M
Vinyl	<b>Fluorescent</b> Red, Pink, Yellow, Black	403F	30ZF	1M/5M
		405ZF	40ZF	1M/5M
		407ZF	50ZF	1M/5M
		401ZV	20ZV	1M/5M
		403ZV	30ZV	1M/5M
		405ZV	40ZV	1M/5M
		407ZV	50ZV	1M/5M

## EP58-SH Series

### Edge Protectors

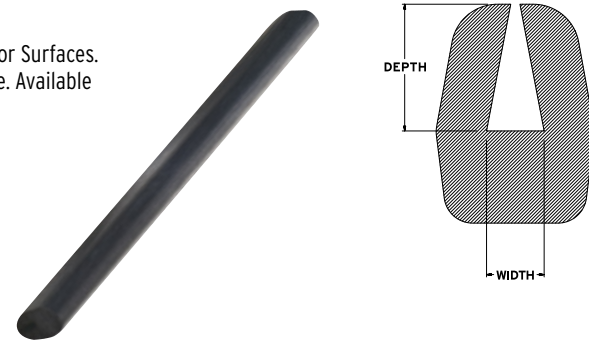
EP58-SH Series protects PC Board Connector Surfaces. Use during cleaning, dipping, & solder wave. Available in other materials

- Temperatures up to 350°F (177°C)

- Easily cuts to required lengths

- Reusable

**Material:** Neoprene **Color:** See chart



### Edge Protectors EP58-SH Series

Caplugs No.	Colors	Conductivity	Dimensions					
			Width		Depth		Length	
			In	mm	In	mm	In	mm
EP5812	Grey	Non-Conductive	.05	1.27	.16	4.06	30	762
EP5816	Grey	Non-Conductive	.062	1.57	.312	7.92	30	762
EP5820	Grey	Non-Conductive	.062	1.57	.437	11.10	30	762
EP5816C	Black	Conductive	.062	1.57	.312	7.92	30	762
EP5820C	Black	Conductive	.062	1.57	.437	11.10	30	762

### SK-SH Series

#### Masking Starter Kits

A series of starter kits each containing a small selection of masking products that can be used together. Each kit is packaged in a plastic box, which is sectionalized and labeled to identify the parts. These kits are ideal for research and development work, small runs or for hobbyists.

**Material:** Various **Color:** Various (color-coded for sizing)



### Masking Starter Kits SK-SH Series

SK1 350°F (177°C)	SK2 350°F (177°C)	SK3 600°F (315°C)	SK4 600°F (315°C)	SK5 600°F (315°C)	SK6 600°F (315°C)
<ul style="list-style-type: none"> <li>• 11 sizes of vinyl caps</li> <li>• 7 sizes of pull plugs</li> </ul>	<ul style="list-style-type: none"> <li>• 13 sizes of vinyl caps</li> <li>• 5 self-threading plugs (STP) 2-56 to 8-32</li> </ul>	<ul style="list-style-type: none"> <li>• 18 different reusable plugs</li> </ul>	<ul style="list-style-type: none"> <li>• 12 sizes of Ultrabake™ caps</li> <li>• 6 sizes of Ultrabake™ pull-plugs</li> </ul>	<ul style="list-style-type: none"> <li>• 18 different reusable caps</li> <li>• Internal diameters from 3/32" to 7/8"</li> </ul>	<ul style="list-style-type: none"> <li>• Metric cap sizes M1 to M14</li> </ul>
SK8 600°F (315°C)	SK10 350°F (177°C)	SK11 350°F (177°C)	SK12 600°F (315°C)	SK14 600°F (315°C)	SK15 600°F (315°C)
<ul style="list-style-type: none"> <li>• 18 different reusable Ultrabake™ pull-plugs</li> <li>• 1/16" to 1/2" diameter</li> </ul>	<ul style="list-style-type: none"> <li>• Various sizes of reusable Green Neoprene plugs</li> </ul>	<ul style="list-style-type: none"> <li>• Various sizes of reusable Black Neoprene plugs</li> </ul>	<ul style="list-style-type: none"> <li>• Various sizes of reusable plugs</li> </ul>	<ul style="list-style-type: none"> <li>• Various sizes Ultrabake™ Flangeless plugs</li> </ul>	<ul style="list-style-type: none"> <li>• Various styles and sizes of Ultrabake™ caps and plugs</li> </ul>



### MKITS HVC Series

#### High Temperature Vinyl Masking Kit

Masking product kits allow you to keep a wide variety of sizes and styles on hand for quick and easy access. Flex500 is an innovative material formulated to withstand temperatures 500°F and beyond. MKit caps are ideal for masking applications including powder coating, e-coating, painting and more. Purchase one of our masking kits and get the carrying case free - a \$30 value. If you would rather build your own custom kit, just purchase \$100 in Micro Paks and get the carrying case free. Please reference the free case promotion when placing a custom kit order.

**Material:** Flex500® **Color:** Black



### High Temperature Vinyl Masking Kit MKITS HVC Series

Flex500® masking kits include one Micro Pak of the following:

Small Diameter Kit - MKIT-HVC-062-281			Large Diameter Kit - MKIT-HVC-312-1000		
HVC	HVC	HTP	HVC	HVC	HTP
062-10	172-16	6	312-16	500-16	9
080-10	187-16	8	343-16	625-16	10
093-12	203-16	n/a	375-16	750-16	n/a
109-12	218-16	n/a	406-16	875-16	n/a
125-16	234-16	n/a	437-16	1000-16	n/a
140-16	250-16	n/a	-	-	-
156-16	281-16	n/a	-	-	-

### MKITS VC Series

#### Standard Vinyl Masking Kit

Vinyl product kits allow you to keep a wide variety of sizes and styles on hand for quick and easy access. Purchase one of our masking kits and get the carrying case free - a \$30 value. If you would rather build your own custom kit, just purchase \$100 in Micro Paks and get the carrying case free. Please reference the free case promotion when placing a custom kit order.

**Material:** Vinyl **Color:** Various (color-coded for sizing)



### Standard Vinyl Masking Kit MKITS VC Series

Vinyl masking kits include one Micro Pak of the following:

Small Diameter Kit - MKIT-VC-062-281			Large Diameter Kit - MKIT-VC-312-1000		
VC	VC	TP	VC	VC	TP
062-10	172-16	6	312-16	500-16	9
080-10	187-16	8	343-16	625-16	10
093-12	203-16	n/a	375-16	750-16	n/a
109-12	218-16	n/a	406-16	875-16	n/a
125-16	234-16	n/a	437-16	1000-16	n/a
140-16	250-16	n/a	-	-	-
156-16	281-16	n/a	-	-	-

# Hook Series

## V-Hooks, S-Hooks, C-Hooks, CV-Hooks

Our hooks are ideal for both powder & e-coating processes. They are manufactured from high quality spring tempered steel.

- Minimal hook mark
- Solid metal-to-metal contact for increased conductivity
- Consistent grounding for more cycles
- Increased hook life without stripping (burn off)
- Over 200 standard sizes

**Material:** Spring Tempered Steel **Color:** Metal



### Custom Hooks

Through state-of-the-art equipment, we have the capability to manufacture custom hooks. Caplugs will supply samples, formed to your exact specifications, within 2 days. Call us today.

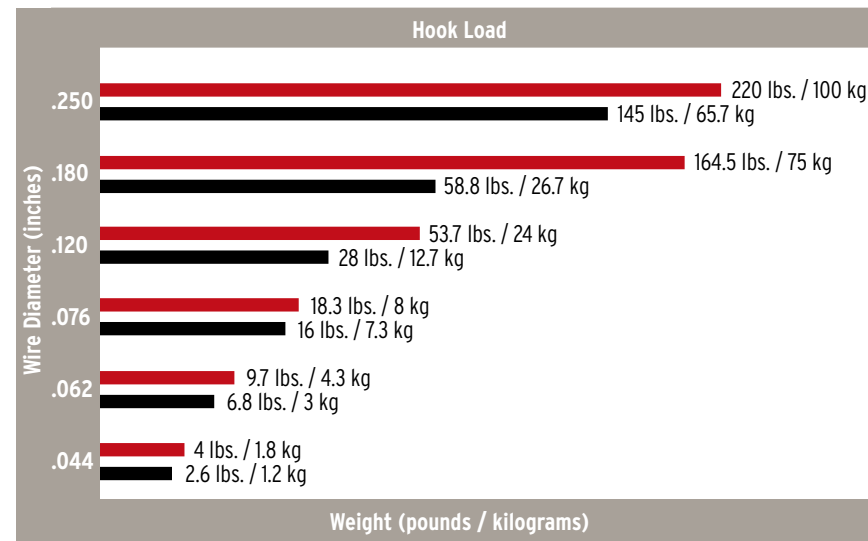
### Hook Part Numbers

XX - XXX - XX - XX

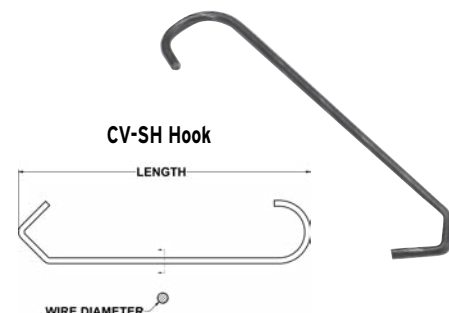
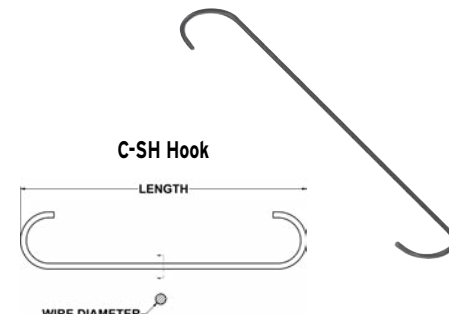
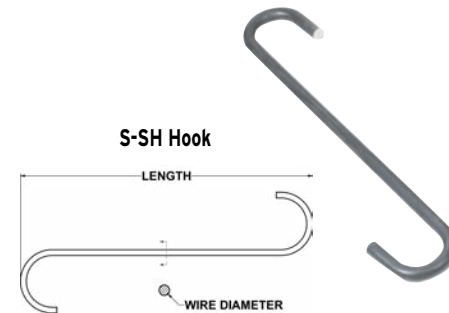
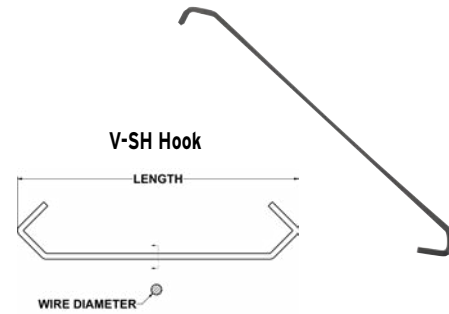
Hook Shape	Hook Wire Diameter	Hook Length	Hook Angle
V	044 (.044")	3"	The hook angle is measured clockwise looking at the bottom hook end
S	062 (.062")	4"	
C	076 (.076")	5"	
CV	120 (.120")	6"	
SQV	180 (.180")	10"	

### Hook Loads

■ V-Hooks ■ C-, S-, CV-Hooks



This load data was compiled under static load conditions in a laboratory and is given for reference only. The actual dynamic load capacity will vary. It is the customer's obligation to determine whether the actual dynamic load capacity is suitable for the customer's purpose.



## V-Hooks, S-Hooks, C-Hooks, CV-Hooks Hook Series

V-SH Hooks	S-SH Hooks	C-SH Hooks	CV-SH Hooks	Dimensions				Angle	Packaging Quantity Per Bag
				Wire Diameter		Length			
				In	mm	In	mm		
V-044-2			CV-044-2	.044	1.12	2.000	50.80		1000
V-062-2.5			CV-062-2	.062	1.57	2.500	63.50		1000
V-062-2.5-90				.062	1.57	2.500	63.50	90	1000
V-076-2.5			CV-076-2	.076	1.93	2.500	63.50		1000
V-044-3	S-044-3	C-044-3	CV-044-3	1.12	.044	3.000	76.20		1000
V-062-3	S-062-3	C-062-3		.062	1.57	3.000	76.20		1000
V-062-3-90		C-062-3-90		.062	1.57	3.000	76.20	90	1000
V-076-3	S-076-3	C-076-3		.076	1.93	3.000	76.20		1000
V-044-4		C-044-4		.044	1.12	4.000	101.60		1000
V-062-4	S-062-4	C-062-4	CV-062-4	.062	1.57	4.000	101.60		1000
V-062-4-90		C-062-4-90		.062	1.57	4.000	101.60	90	1000
V-076-4	S-076-4	C-076-4	CV-076-4	.076	1.93	4.000	101.60		1000
V-076-4-90				.076	1.93	4.000	101.60	90	1000
V-120-4			CV-120-4	.120	3.05	4.000	101.60		1000
V-120-4-90				.120	3.05	4.000	101.60	90	1000
V-180-4			CV-180-4	.180	4.57	4.000	101.60		1000
V-180-5	S-180-5			.180	4.57	5.000	127.00		1000
V-062-6	S-062-6	C-062-6	CV-062-6	.062	1.57	6.000	152.40		1000
V-062-6-90				.062	1.57	6.000	152.40	90	1000
V-076-6	S-076-6	C-076-6	CV-076-6	.076	1.93	6.000	152.40		1000
V-076-6-90				.076	1.93	6.000	152.40	90	1000
V-120-6	S-120-6	C-120-6	CV-120-6	.120	3.05	6.000	152.40		1000
V-076-7			CV-076-7	.076	1.93	7.000	177.80		1000
V-076-7-90				.076	1.93	7.000	177.80	90	1000
V-120-7			CV-120-7	.120	3.05	7.000	177.80		1000
V-120-7-90				.120	3.05	7.000	177.80	90	1000
V-076-8	S-076-8	C-076-8	CV-076-8	.076	1.93	8.000	203.20		500
V-076-8-90				.076	1.93	8.000	203.20	90	500
V-120-8	S-120-8	C-120-8	CV-120-8	.120	3.05	8.000	203.20		500
V-120-8-90				.120	3.05	8.000	203.20	90	500
V-180-8	S-180-8	C-180-8	CV-180-8	.180	4.57	8.000	203.20		250
V-076-10	S-076-10	C-076-10		.076	1.93	10.000	254.00		500
V-120-10	S-120-10	C-120-10	CV-120-10	.120	3.05	10.000	254.00		500
V-120-10-90				.120	3.05	10.000	254.00	90	500
V-180-10	S-180-10	C-180-10		.180	4.57	10.000	254.00		250
V-076-12				.076	1.93	12.000	304.80		500
V-076-12-90				.076	1.93	12.000	304.80	90	500
V-120-12	S-120-12	C-120-12	CV-120-12	.120	3.05	12.000	304.80		500
V-120-12-90				.120	3.05	12.000	304.80	90	500
V-180-12	S-180-12	C-180-12		.180	4.57	12.000	304.80		250
V-076-14				.076	1.93	14.000	355.60		500
V-076-14-90				.076	1.93	14.000	355.60	90	500
V-120-14	S-120-14	C-120-14	CV-120-14	.120	3.05	14.000	355.60		500
V-180-14	S-180-14	C-180-14		.180	4.57	14.000	355.60		250
			CV-180-16	.180	4.57	16.000	406.40		250
V-076-18				.076	1.93	18.000	457.20		500
V-120-18				.120	3.05	18.000	457.20		250
V-120-18-90				.120	3.05	18.000	457.20	90	250
V-180-18			CV-180-18	.180	4.57	18.000	457.20		250
V-180-18-90				.180	4.57	18.000	457.20	90	250
V-076-24				.076	1.93	24.000	609.60		500
V-120-24	S-120-24	C-120-24		.120	3.05	24.000	609.60		250
V-180-24	S-180-24		CV-180-24	.180	4.57	24.000	609.60		250
V-180-24-90				.180	4.57	24.000	609.60	90	250
V-120-32				.120	3.05	32.000	812.80		250
V-180-32				.180	4.57	32.000	812.80		250

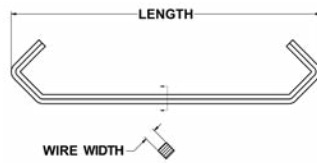
## SQV-SH Series

### Square V-Hooks

Our square V-Hooks are ideal for both powder & e-coating processes. They are manufactured from high quality spring steel.

- Reduced hook mark
- Consistent grounding for more cycles
- Increased hook life without stripping (burn off)

**Material:** Spring Tempered Steel **Color:** Metal



## Square V-Hooks SQV-SH Series

Caplugs No.	Dimensions				Packaging Quantity Per Bag
	Wire Width		Length		
	In	mm	In	mm	
SQV-120-4	.120	3.05	4.000	101.60	1000
SQV-180-4	.180	4.57	4.000	101.60	500
SQV-250-4	.250	6.35	4.000	101.60	250
SQV-120-6	.120	3.05	6.000	152.40	1000
SQV-180-6	.180	4.57	6.000	152.40	500
SQV-250-6	.250	6.35	6.000	152.40	250
SQV-120-8	.120	3.05	8.000	203.20	500
SQV-180-8	.180	4.57	8.000	203.20	250
SQV-250-8	.250	6.35	8.000	203.20	250
SQV-120-12	.120	3.05	12.000	304.80	250
SQV-180-12	.180	4.57	12.000	304.80	250
SQV-250-12	.250	6.35	12.000	304.80	125
SQV-120-16	.120	3.05	16.000	406.40	250
SQV-180-16	.180	4.57	16.000	406.40	250
SQV-250-16	.250	6.35	16.000	406.40	125
SQV-120-20	.120	3.05	20.000	508.00	250
SQV-180-20	.180	4.57	20.000	508.00	125
SQV-250-20	.250	6.35	20.000	508.00	125
SQV-120-24	.120	3.05	24.000	609.60	250
SQV-180-24	.180	4.57	24.000	609.60	125
SQV-250-24	.250	6.35	24.000	609.60	125

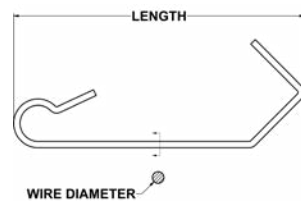
## Snap Hooks

### SHVA-SH, SHVB-SH, SHVC-SH Snap Hooks

Our hooks are designed for use during powder & liquid coating processes. They are manufactured from high quality spring steel.

- Maintains fixed spacing
- Locks firmly into position
- Solid metal to metal contact for conductivity
- High load capacity (see load chart)

**Material:** Spring Tempered Steel **Color:** Metal



Snap Hook Part Numbers

Hook Shape	Rod Diameter	Hook Wire Diameter	Hook Angle
SHV	A = 3/16"	044 (.044")	1.75"
	B = 1/4"	062 (.062")	2"
	C = 3/8"	076 (.076")	3"
		120 (.120")	4"
		180 (.180")	6"

## SHVA-SH, SHVB-SH, SHVC-SH Snap Hooks Snap Hooks

Caplugs No.	Dimensions				Packaging Quantity Per Bag
	Wire Width		Length		
	In	mm	In	mm	
SHVA-062-2	.062	1.57	2.000	50.80	1000
SHVA-076-2	.076	1.93	2.000	50.80	1000
SHVB-062-2	.062	1.57	2.000	50.80	1000
SHVB-076-2	.076	1.93	2.000	50.80	1000
SHVC-062-2	.062	1.57	2.000	50.80	1000
SHVC-076-2	.076	1.93	2.000	50.80	1000
SHVA-044-3	.044	1.12	3.000	76.20	1000
SHVA-062-3	.062	1.57	3.000	76.20	1000
SHVB-044-3	.044	1.12	3.000	76.20	1000
SHVB-062-3	.062	1.57	3.000	76.20	1000
SHVC-044-3	.044	1.12	3.000	76.20	1000
SHVC-062-3	.062	1.57	3.000	76.20	1000
SHVA-044-4	.044	1.12	4.000	101.60	1000
SHVA-062-4	.062	1.57	4.000	101.60	1000
SHVA-076-4	.076	1.93	4.000	101.60	1000
SHVB-044-4	.044	1.12	4.000	101.60	1000
SHVB-062-4	.062	1.57	4.000	101.60	1000
SHVB-076-4	.076	1.93	4.000	101.60	1000
SHVC-044-4	.044	1.12	4.000	101.60	1000
SHVC-062-4	.062	1.57	4.000	101.60	1000
SHVC-076-4	.076	1.93	4.000	101.60	1000
SHVA-044-6	.044	1.12	6.000	152.40	1000
SHVA-062-6	.062	1.57	6.000	152.40	1000
SHVA-076-6	.076	1.93	6.000	152.40	1000
SHVB-044-6	.044	1.12	6.000	152.40	1000
SHVB-062-6	.062	1.57	6.000	152.40	1000
SHVB-076-6	.076	1.93	6.000	152.40	1000
SHVC-044-6	.044	1.12	6.000	152.40	1000
SHVC-062-6	.062	1.57	6.000	152.40	1000
SHVC-076-6	.076	1.93	6.000	152.40	1000

Caplugs No.	Dimensions				Packaging Quantity Per Bag
	Wire Width		Length		
	In	mm	In	mm	
SHVA-044-1.75	.044	1.12	1.750	44.45	1000
SHVA-062-1.75	.062	1.57	1.750	44.45	1000
SHVA-076-1.75	.076	1.93	1.750	44.45	1000
SHVB-044-1.75	.044	1.12	1.750	44.45	1000
SHVB-062-1.75	.062	1.57	1.750	44.45	1000
SHVB-076-1.75	.076	1.93	1.750	44.45	1000
SHVC-044-1.75	.044	1.12	1.750	44.45	1000
SHVC-062-1.75	.062	1.57	1.750	44.45	1000
SHVC-076-1.75	.076	1.93	1.750	44.45	1000

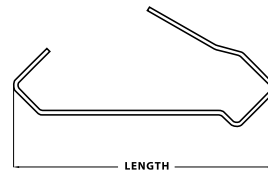
## VB-SH Series

### Smart Hooks™

To be used with our modular rack & smart bar.

- Perfect contact every time
- Hooks lock into position

**Material:** Spring Tempered Steel **Color:** Metal



## Smart Hooks™ VB-SH Series

V-Hooks	Dimensions				Angle	Packaging Quantity Per Bag
	Wire Diameter		Length			
	In	mm	In	mm		
VB-047-2-270	.047	1.19	2.000	50.80	270°	500
VB-047-2.5-270	.047	1.19	2.500	63.50	270°	500
VB-047-3-270	.047	1.19	3.000	76.20	270°	500
VB-062-3	.062	1.57	3.000	76.20		500
VB-062-3-270	.062	1.57	3.000	76.20	270°	500
VB-047-4	.047	1.19	4.000	101.60		500
VB-062-4	.062	1.57	4.000	101.60		500
VB-062-4-270	.062	1.57	4.000	101.60	270°	500
VB-076-4	.076	1.93	4.000	101.60		500
VB-076-4-270	.076	1.93	4.000	101.60	270°	500

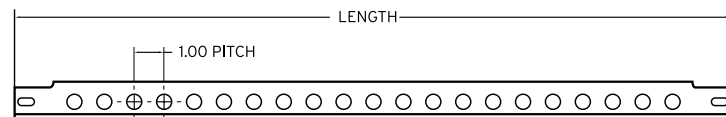
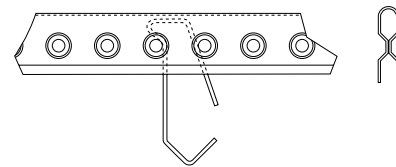
## SB-SH Series

### Smart Bar™

To be used with our modular racks. Design your own custom rack from our list of stock parts.

- Perfect contact every time
- Hooks lock into position

**Material:** Spring Tempered Steel **Color:** Metal



## Smart Bar™ SB-SH Series

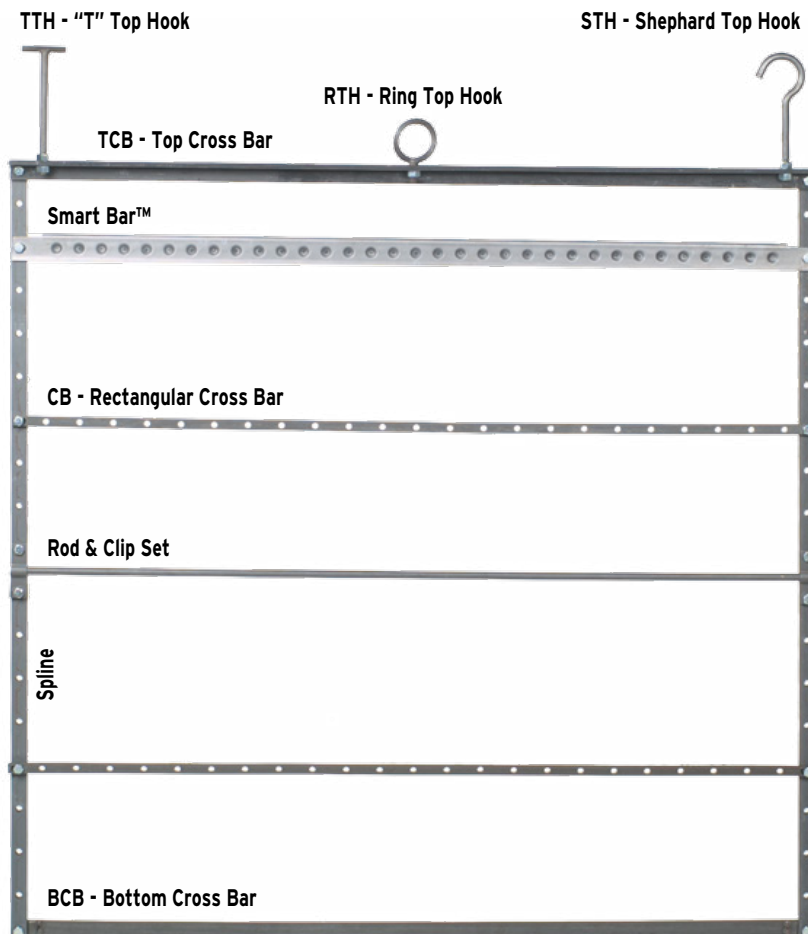
V-Hooks	Dimensions			
	Wire Diameter		Length	
	In	mm	In	mm
SB-24	24.000	609.60	1.260	32.00
SB-36	36.000	914.40	1.260	32.00
SB-48	48.000	1219.20	1.260	32.00

# Modular Racks

## Custom Rack Design

Design your own custom rack from our list of stock parts.

**Material:** Steel Bar and Spring Steel **Color:** Metal



TCB-SH Series (Top Cross Bars)	
Caplugs No.	Length
TCB-24	24"
TCB-36	36"
TCB-48	48"

SPLINE-SH Series (Splines)	
Caplugs No.	Length
SPLINE-24	24"
SPLINE-36	36"
SPLINE-48	48"

CB-SH Series (Rectangular Cross Bars)	
Caplugs No.	Length
CB-24	24"
CB-36	36"
CB-48	48"

BCB-SH Series (Bottom Cross Bars)	
Caplugs No.	Length
BCB-24	24"
BCB-36	36"
BCB-48	48"

TH-SH Series (Top Hooks)	
Caplugs No.	Length
STH	Shephard Top Hook
TTH	"T" Hook
RTH	Ring Hook

ROD-SH Series (Rod and Clip Sets)	
Caplugs No.	Length
ROD-3/16-24	24"
ROD-3/16-36	36"
ROD-3/16-48	48"
ROD-1/4-24	24"
ROD-1/4-36	36"
ROD-1/4-48	48"
ROD-3/8-24	24"
ROD-3/8-36	36"
ROD-3/8-48	48"

# UWH-SH Series

## Spin Hooks

A low-cost solution to increase powder-coating capability.

- Ability to rotate part or rack
- Ball bearing construction
- Capable of producing conveyor hooks

**Material:** Steel **Color:** Metal

