

## Configurator ERV Rubber Expansion Joints

Part Number: ERV-G 100.ASA 150



**Bellows**

**ERV-G 'Yellow Band'**

YELLOW BAND expansion joints suitable for petroleum based products with aromatic content up to 50%, fuels (ethanol content up to 85%), aviation fuels, town gas and natural gas except liquified petroleum gas.

Temperature range (depending on medium) -20° C up to +90° C, temporarily up to +100° C. Electrically dissipative.

Cover: Chloroprene CR

Reinforcement: PA textile cord

Liner: Liner: NBR ( nitrile ), seamless, abrasion resistant

Marking: Yellow band, ERV DN.., PN .., production date

**Size DN**

**DN 100 mm / 4"**

**Length**

**BL 130 mm**

**Flange 1**

**ANSI B 16.5 150 lb/sq. in. (ASA 150)**

Dimension: D: 228,6 mm, 9", k: 190,5 mm, 7 1/2", 8 holes, l: 19 mm, 3/4"

**Permissible Vacuum [mbar] for Type ERV-G**

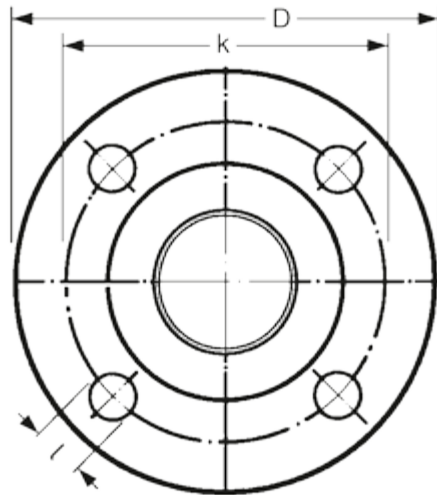
| DN           | 25   | 32   | 40   | 50   | 65   | 80   | 100  | 125  | 150  | 200  | 250  | 300  | 350  | 400  | 450  | 500  | 600  | 700  | 800  | 900  | 1000 |
|--------------|------|------|------|------|------|------|------|------|------|------|------|------|------|------|------|------|------|------|------|------|------|
| no VSD / VSR | max. | max. | max. | max. | -700 | -600 | -400 | -300 | -300 | -300 | -200 | -100 |      |      |      |      |      |      |      |      |      |
| with VSD     |      |      |      | max. | max. | max. | max. | max. | max. | -600 | -400 | -200 |      |      |      |      |      |      |      |      |      |
| with VSR     |      |      |      |      |      |      |      | max. | max. | max. | max. | max. | max. | max. | max. | max. | max. | max. | max. | max. | max. |
| with VSRV    |      |      |      |      |      |      |      |      |      |      |      |      |      |      |      |      | max. | max. | max. | max. | max. |
| with TAS     |      |      |      | max. | max. | max. | max. | max. | max. | -600 | -400 | -200 |      |      |      |      |      |      |      |      |      |
| with TA      |      |      |      |      |      |      |      |      |      |      |      |      |      |      |      |      |      |      |      |      |      |

Data measured at room temperature with new expansion joints in standard length and non swelling media. For swelling media use a safety factor.

A compressed installation improves the in the table listed vacuum resistance. The maximum permissible elongation (L max.) reduces the vacuum resistance by 50%.

For this case we recommend to use vacuum support spirals or vacuum support rings (see catalogue page 468).

Dependencies of overpressure, range of movement and temperature please see table on catalogue page 404.



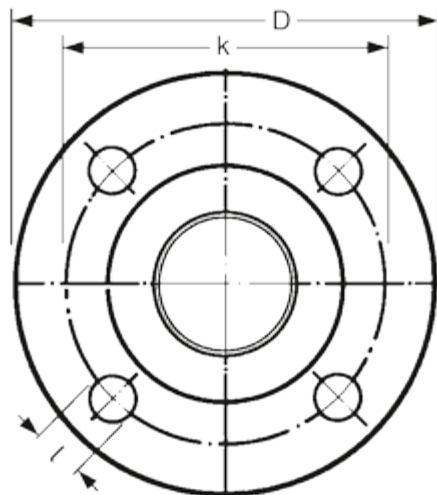
Material 1

**Zinc Plated Steel S235 JRG2 (Standard)**

Flange 2

**ANSI B 16.5 150 lb/sq. in. (ASA 150)**

Dimension: D: 228,6 mm, 9", k: 190,5 mm, 7 ½", 8 holes, l: 19 mm



Material 2

**Zinc Plated Steel S235 JRG2 (Standard)**

Limiters

**Without limiter**

Without limiter (Standard)

Accessories

**No further accessories**

Without accessories (Standard)

Flame Protection

**Without flame protection**

Without flame protection (Standard)