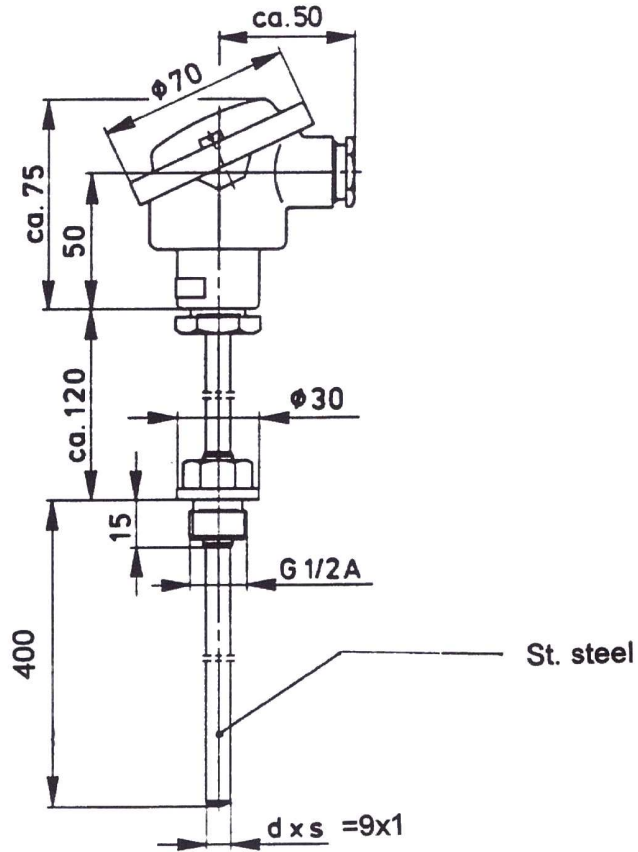



Series: DIN 43 765 , Form B



Note 1:

Note 2:

Project: KASTAMONU BA-		Description: THERMOCOUPLE	TECHNICAL DATA SHEET	
Drawn: VER	Date: 16.10.98		Doc. No. 44230043	Rev. No. 000
			Page: 2	of: 2