

MODEL:

MD-27

MATERIAL LIST

NO.	PART NAME	MATERIAL
1	BODY	1.4408 / EN1503-1
4	BALL	ASTM A351 Gr.CF8M
5	STEM	SS316
9	END CAP	1.4408 / EN1503-1
11	BODY SEAL	PTFE
12	SEAT	RTFE
13	THRUST WASHER	PTFE
14	STEM PACKING	PTFE
15	GLAND BUSH	SS304
19	HANDLE	SS304
21	HANDLE COVER	PLASTIC
22	STEM NUT	SS304
24	HANDLE NUT	SS304
28	LOCKING PAD	SS304
29	BELLEVILLE WASHER	SS301
30	TAB WASHER	SS304
33	STOP PIN	SS304
35	BODY BOLT	ASTM A193 Gr.B8
37	BOLT NUT	ASTM A193 Gr.8

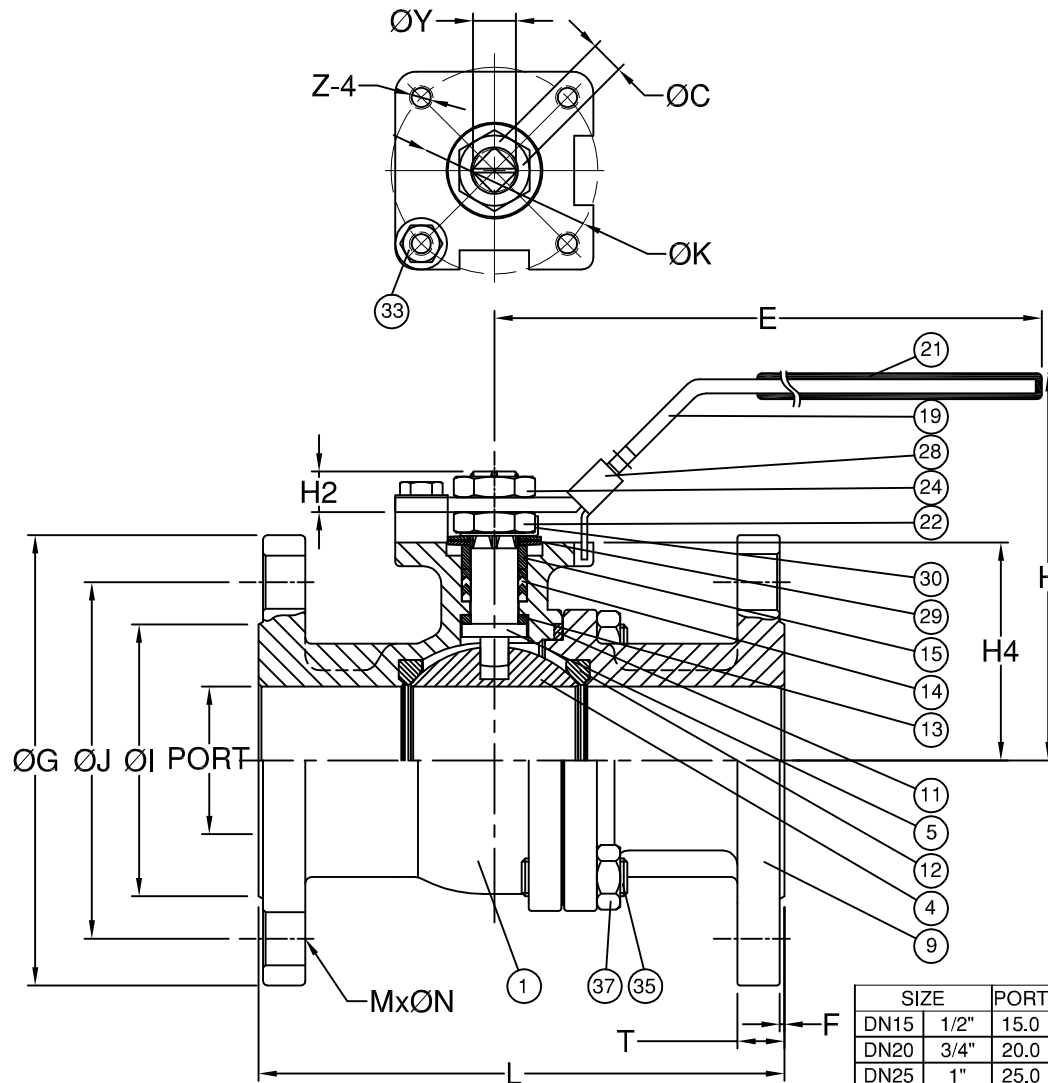
FLANGE DIMENSION: EN 1092-1

FACE TO FACE: DIN 3202

PN16/PN40 DIMENSIONS

unit:mm

SIZE	PORT	L	E	H	H2	H4	C	ØY	ØG	ØJ	ØI	T	F	M	ØN	ØK	Z	
DN15	1/2"	15.0	115.0	132.0	80.0	8.5	38.5	9.0	11.2	95.0	65.0	45.0	16.0	2.0	4	14.0	42.0	M5*0.8P
DN20	3/4"	20.0	120.0	132.0	84.5	8.5	42.5	9.0	11.2	105.0	75.0	58.0	18.0	2.0	4	14.0	42.0	M5*0.8P
DN25	1"	25.0	125.0	166.0	102.0	12.0	52.0	11.0	14.3	115.0	85.0	68.0	18.0	2.0	4	14.0	50.0	M6*1.0P
DN32	1 1/4"	32.0	130.0	166.0	105.0	12.0	56.0	11.0	14.3	140.0	100.0	78.0	18.0	2.0	4	18.0	50.0	M6*1.0P
DN40	1 1/2"	38.0	140.0	198.0	125.0	12.0	65.3	14.0	18.0	150.0	110.0	88.0	18.0	2.0	4	18.0	70.0	M8*1.25P
DN50	2"	50.0	150.0	198.0	132.0	12.0	73.8	14.0	18.0	165.0	125.0	102.0	20.0	2.0	4	18.0	70.0	M8*1.25P



CODE	P-005		DRAWN	CHESTER	UNIT	mm	BODY	CF8M	PIECE	TWO	SN	N/A
	MODENTIC		CHECKED	JERRY	SCALE	FREE	SEAT	RTFE	VALVE	BALL	CONNECTION	FLANGED END
	INDUSTRIAL CORPORATION		APPROVED	MIKE	REVISION	01	FIRE SAFE	N/A	BORE	FULL	OPERATION	LEVER
			DATE	2014/10/02	NOTE		PORT	2-WAY	TYPE	STANDARD	PRESSURE	PN16

F

E

D

C

B

A

MODEL:

MD-27

## MATERIAL LIST

NO.	PART NAME	MATERIAL
1	BODY	1.4408/EN1503-1
4	BALL	ASTM A351 Gr.CF8M
5	STEM	SS316
9	END CAP	1.4408/EN1503-1
11	BODY SEAL	PTFE
12	SEAT	RTFE
13	THRUST WASHER	PTFE
14	STEM PACKING	PTFE
15	GLAND BUSH	SS304
19	HANDLE	LRON
20	SET BOLT	SS304
21	HANDLE COVER	PLASTIC
24	HANDLE NUT	SS304
28	STOP PLATE	SS304
29	BELLEVILLE WASHER	SS301
30	TAB WASHER	SS304
33	STOP PIN	SS304
35	BODY BOLT	ASTM A193 Gr.B8
37	BOLT NUT	ASTM A193 Gr.8
50	HANDLE ADAPTER	ASTM A351 Gr.CF8

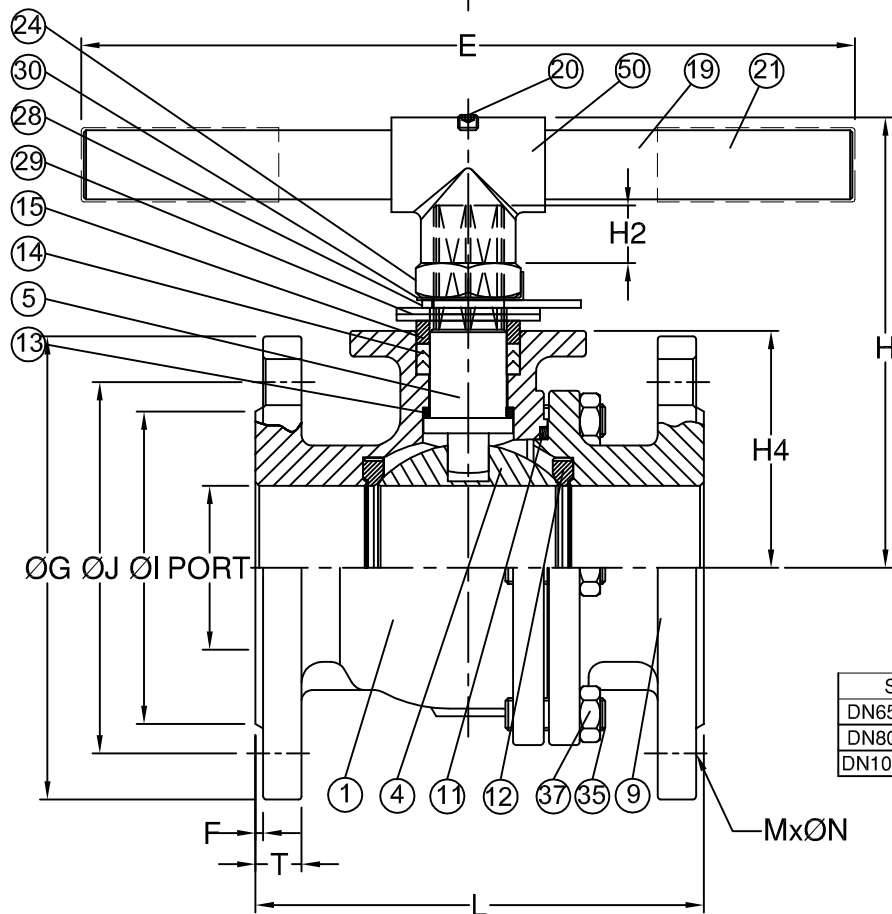
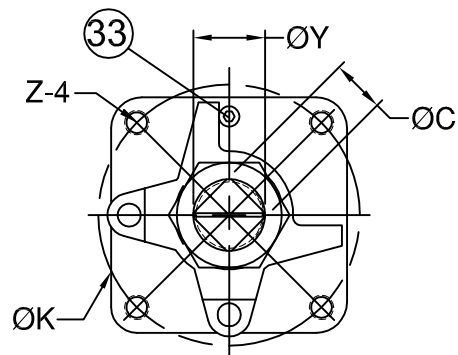
FLANGE DIMENSION: EN 1092-1

FACE TO FACE: DIN 3202

## DIMENSIONS

unit:mm

SIZE	PORT	L	E	H	H2	H4	C	ØY	ØG	ØJ	ØI	T	F	M	ØN	ØK	Z	
DN65	2 1/2"	64.0	170.0	300.0	178.0	23.0	92.5	17.0	22.3	185.0	145.0	122.0	18.0	2.0	4	18.0	102.0	M10*1.5P
DN80	3"	76.0	180.0	300.0	188.0	23.0	101.7	17.0	22.3	200.0	160.0	138.0	20.0	2.0	8	18.0	102.0	M10*1.5P
DN100	4"	100.0	190.0	450.0	202.0	23.0	119.0	17.0	22.3	220.0	180.0	158.0	20.0	2.0	8	18.0	102.0	M10*1.5P



CODE	P-005	⊕⊖	DRAWN	CHESTER	UNIT	mm	BODY	CF8M	PIECE	TWO	SN	N/A
 <b>MODENTIC</b> INDUSTRIAL CORPORATION	CHECKED	JERRY	SCALE	FREE	SEAT	RTFE	VALVE	BALL	CONNECTION	FLANGED END		
	APPROVED	MIKE	REVISION	01	FIRE SAFE	N/A	BORE	FULL	OPERATION	LEVER		
	DATE	2014/10/02	NOTE		PORT	2-WAY	TYPE	STANDARD	PRESSURE	PN16		

F

E

D

C

B

A

F

E

D

C

B

A

MODEL:

MD-27

## MATERIAL LIST

NO.	PART NAME	MATERIAL
1	BODY	1.4408/EN1503-1
4	BALL	SS316
5	STEM	SS316
9	END CAP	1.4408/EN1503-1
11	BODY SEAL	PTFE
12	SEAT	RTFE
13	THRUST WASHER	PTFE
14	STEM PACKING	PTFE
15	GLAND	SS.304
15-1	GLAND BUSH	SS304
19	HANDLE	LRON
20	SET BOLT	SS304
21	HANDLE COVER	PLASTIC
28	STOP PLATE	SS304
35	BODY BOLT	ASTM A193 Gr.B8
37	BOLT NUT	ASTM A194 Gr.8
41	SNAP RING	SS304
42	GLAND BOLT	SS304
50	HANDLE ADAPTER	SS304

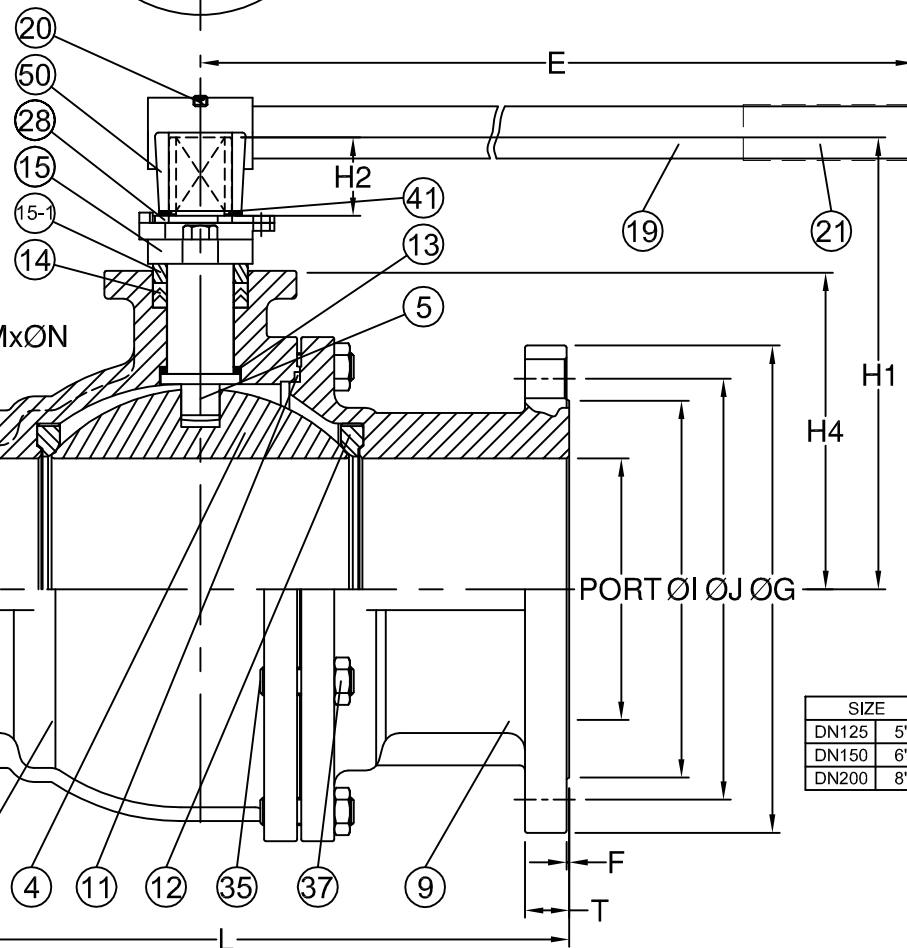
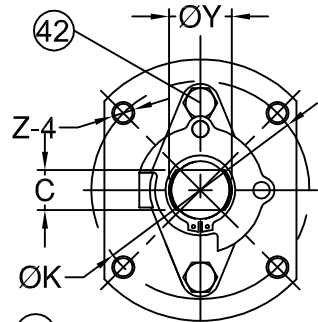
FLANGE DIMENSION: EN 1092-1

FACE TO FACE: DIN 3202

## DIMENSIONS

unit:mm

SIZE	PORT	L	E	H1	H2	H4	C	ØY	ØG	ØJ	ØI	T	F	M	ØN	ØK	Z	
DN125	5"	125.0	325.0	600.0	233.0	45.0	163.0	23.0	36.0	250.0	210.0	188.0	22.0	2.0	8	Ø18.0	125	M12*1.75P
DN150	6"	150.0	350.0	800.0	259.0	45.0	182.5	23.0	36.0	285.0	240.0	212.0	22.0	2.0	8	Ø22.0	125	M12*1.75P
DN200	8"	200.0	400.0	800.0	285.0	45.0	211.5	23.0	36.0	340.0	295.0	270.0	24.0	2.0	12	Ø22.0	125	M12*1.75P



CODE	P-005	⊕⊖	DRAWN	CHESTER	UNIT	mm	BODY	CF8M	PIECE	TWO	SN	N/A
 <b>MODENTIC</b> INDUSTRIAL CORPORATION	CHECKED	JERRY	SCALE	FREE	SEAT	RTFE	VALVE	BALL	CONNECTION	FLANGED END		
	APPROVED	MIKE	REVISION	01	FIRE SAFE	N/A	BORE	FULL	OPERATION	LEVER		
	DATE	2014/10/02	NOTE		PORT	2-WAY	TYPE	STANDARD	PRESSURE	PN16		

F

E

D

C

B

A