

ADJUSTABLE PRESSURE SWITCHES TYPE PSM-PSP

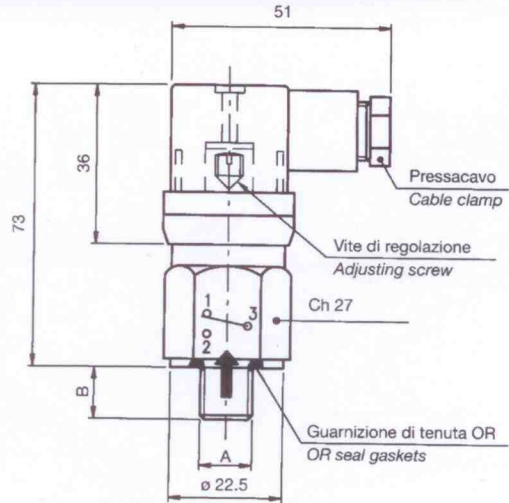
Adjustment ranges 0,2 ÷ 300 bar - Adjustable hysteresis - Max voltage 250 V - SPDT contact

TECHNICAL DATA STANDARD EXECUTION

Max. Voltage	250 Vca
Working voltage	220 Vca
Current	6 (2) A
Adjustable hysteresis	10% ÷ 30% of set point
Working temperature	-5 +90 °C (see available membrane)
Max. Cycle rate @ 25 °C	120/1' membrane
Max. Cycle rate @ 25 °C	60/1' piston
Mechanical life	10° cycles
Protection	IP 65 DIN 40050
Connector	PG 9 or PG 11 DIN 43650
Tightening torque	5 Kgm

MATERIAL STANDARD EXECUTION

body 27 AF low pressure	Brass
body 27 AF medium/high pressure	Tropicalized steel
Membrane	NBR
High pressure piston	Stainless steel (NBR gasket)
Connector and cable clamp	Nylon 6,6
C/O Contact	SPDT



ORDERING CODE

TYPE	PSM-PSP
RANGE	2-10-50-100-150-300
BODY	(-) - I - W
MEMBRANE-PISTON	(-) - NT - V - S - N - E - MI
GASKET	(-) - NT - V - S - N - E
THREADS	R18-R14-M10-M12-18NPT
SPECIAL EXECUTIONS	G-SG-AP-TG
SET-POINT	T... T...D T...F

EXPLANATION CODE

TYPE	PSM	Membrane pressure switches, SPDT contacts
	PSP	Piston pressure switches, SPDT contacts
RANGE	PSM 2	0,2 ÷ 2 bar
	PSM 10	1 ÷ 10 bar
	PSM 50	10 ÷ 50 bar
	PSM 100	10 ÷ 100 bar
	PSP 150	30 ÷ 150 bar
	PSP 300	50 ÷ 300 bar
BODY	(-)	Brass (PSM2/10)
	(-)	Tropicalized steel (PSM50/100, PSP150/300)
	I	AISI 303 stainless steel
	W	AISI 316 stainless steel
MEMBRANE-PISTON	(-)	NBR -5 +90 °C
	NT	HNBR -40 +140 °C
	V	Viton -5 +90 °C
	S	Silicone -30 +120 °C
	N	Neoprene -10 +90 °C
	E	EPDM -20 +110 °C
	MI	Acc. Inox (PSM2/10 only)
THREADS "A"	R18	G1/8" parallel (B 10 mm)
	R14	G1/4" parallel (B 12 mm)
	M10	M10 x 1 parallel (B 12 mm)
	M12	M12 x 1,5 parallel (B 10 mm)
	18NPT	1/8" NPT (B 10 mm)
SPECIAL EXECUTIONS	G	Gold contacts for low current ≤30 mA
	SG	Degreased for Oxygen applications
	AP	High pressure execution (MS 2/10 Max 300 bar)
	TG	Tested for gas applications
SET-POINT	T...	Rising to required value, Ex. T 175
	T...D	Falling to required value, Ex T 70D
	T...F...	Hysteresis and set-point to required value Ex. T40 F10... 40 bar set-point and 10 bar hysteresis

Model	Type	Max. Static pressure				Tolerance @ 25°C	Weigh
		Standard	AP	I	W		
PSM2	Membrane	80 bar	300 bar	150 bar	150 bar	± 0,2 bar	100 gr
PSM10		80 bar	300 bar	150 bar	150 bar	± 0,4 bar	
PSM50		300 bar	-	150 bar	150 bar	± 2 bar	
PSM100		300 bar	-	150 bar	150 bar	± 3 bar	
PSP150	Piston	300 bar	-	250 bar	250 bar	± 5 bar	
PSP300		600 bar	-	400 bar	400 bar	± 15 bar	

AVAILABLE CERTIFICATIONS

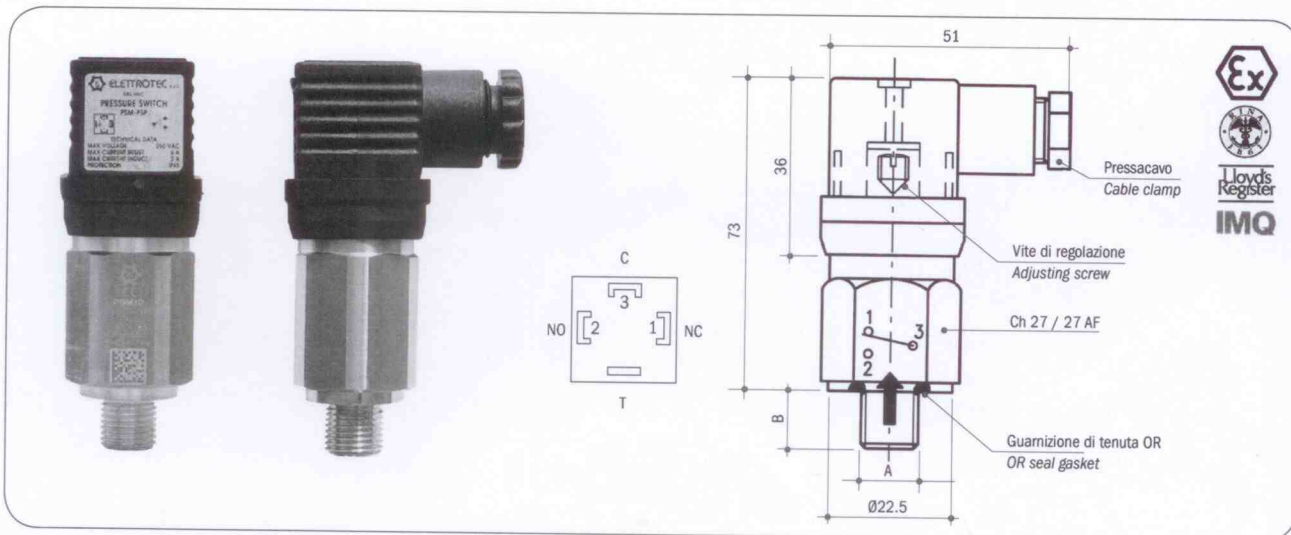
R.I.N.A.
LLOYD'S REGISTER

IMQ

On request the pressure switches can be supplied on Eex ia IIC T6 version

PSM-PSP PRESSOSTATI CON CONTATTI IN SCAMBIO E ISTERESI REGOLABILE

Adjustable pressure switches with SPDT contacts and adjustable hysteresis

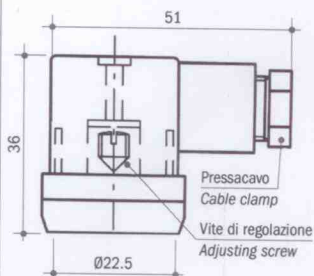


Tensione massima	250 Vca	Max. voltage	250 Vac
Intensità di corrente	6 (2) A	Current	6 (2) A
Contatti elettrici in scambio	SPDT	C/O contacts	SPDT
Differenziale regolabile	10% + 30% del valore di taratura	Adjustable hysteresis	10% - 30% of set-point
Campo di temperatura	-30°C...+140°C (in funzione della membrana/guarnizione)	Temperature range	-30°C to +140°C (according to diaphragm/gasket material)
Num. max. interventi a 25°C	120/1' (membrana)	Max. cycle rate at 25°C	120/min. (diaphragm type)
Num. max. interventi a 25°C	60/1' (pistone)	Max. cycle rate at 25°C	60/min. (piston type)
Protezione	IP 65 DIN 40050 vedi pagina 8	Protection	IP 65 DIN 40050 see page 8
Connettore PG09 o PG11	DIN 43650	PG09 or PG11 connector	DIN 43650
Vita meccanica	10 ⁶ cicli	Mechanical life	10 ⁶ operations
Coppia di serraggio consigliata	max. 5 Kgm. vedi pagina 3	Recommended tightening torque	max. 5 Kgm. see page 3

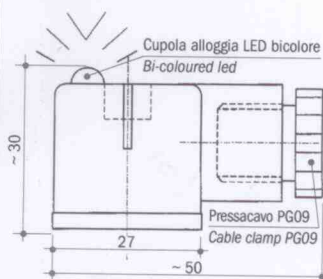
CONNESSIONI ELETTRICHE DISPONIBILI / AVAILABLE ELECTRICAL CONNECTIONS

PROTEZIONE IP 65 IP 65 PROTECTION

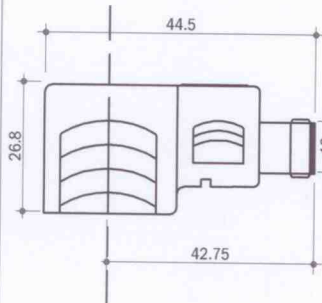
Connettore Din 40050
Din 40050 Connector



Connettore trasparente con Led bicolore rosso/verde
Transparent connector with red/green bi-coloured led
Tipo
Type CLB



Connettore M12
M12 Connector



PROTEZIONE IP 54 IP 54 PROTECTION

COD. 30013
Tipo / Type CAP 12

