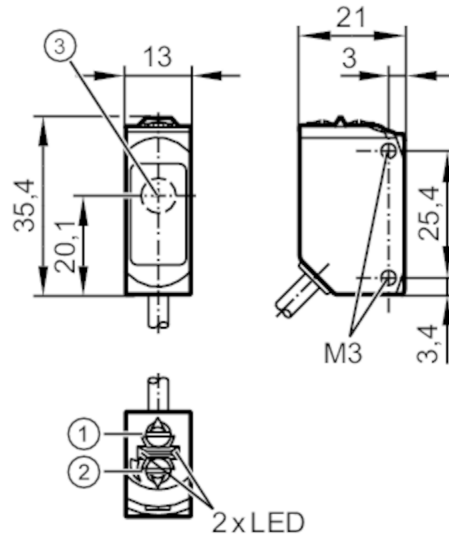


# O6E204



## Through-beam sensor receiver

O6E-FNKG



- 1 output function switch
- 2 potentiometer sensitivity
- 3 Light incidence



### Product characteristics

Type of light	red light
Housing	rectangular

### Application

Function principle	Through-beam sensor
--------------------	---------------------

### Electrical data

Operating voltage	[V]	10...30 DC
Current consumption	[mA]	7; ((24 V))
Protection class		III
Reverse polarity protection		yes
Type of light		red light
Wave length	[nm]	633

### Outputs

Electrical design		NPN
Output function		light-on/dark-on mode; (selectable)
Max. voltage drop switching output DC	[V]	2.5
Permanent current rating of switching output DC	[mA]	100
Switching frequency DC	[Hz]	1000
Short-circuit protection		yes
Type of short-circuit protection		yes (non-latching)

# O6E204



## Through-beam sensor receiver

O6E-FNKG

Monitoring range		
Transmitter / receiver		receiver
Range [m]		< 10
Range adjustable		yes
Operating conditions		
Ambient temperature [°C]		-25...60
Protection		IP 65; IP 67
Tests / approvals		
EMC	EN 60947-5-2	
MTTF [years]		956
UL approval	UL approval number	E008
Mechanical data		
Weight [g]		59.7
Housing		rectangular
Dimensions [mm]		35.4 x 13 x 21
Material		housing: ABS; PPSU; sealing: EPDM
Lens material		PMMA
Lens alignment		Side sensing
Tightening torque [Nm]		0.5
Displays / operating elements		
Display	Switching status	1 x LED, yellow
	Power	1 x LED, green
Remarks		
Remarks		cULus - Class 2 source required
Pack quantity		1 pcs.

# O6E204



## Through-beam sensor receiver

O6E-FNKG

### Electrical connection

Cable: 2 m, PUR; 3 x 0.25 mm<sup>2</sup>

### Connection

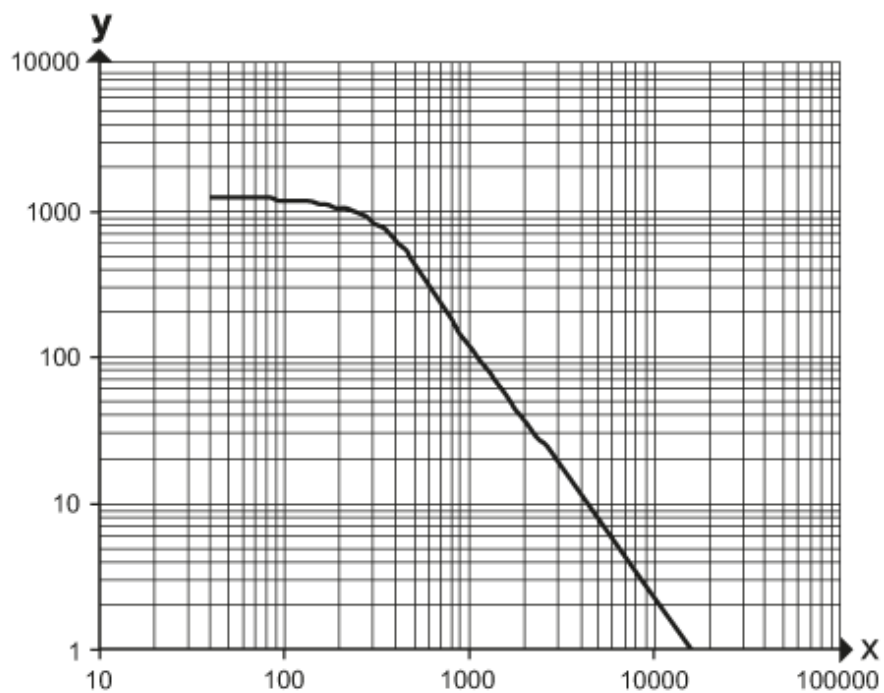


Core colors :

BN = brown  
BK = black  
BU = blue

### Diagrams and graphs

excess gain graph



x: distance [mm]

y: excess gain factor