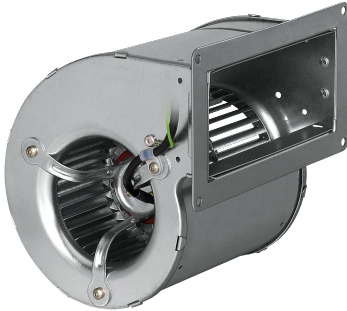


D2E097-BI56-02

AC centrifugal fan with housing (without flange)

forward curved, dual inlet



ebm-papst Mulfingen GmbH & Co. KG

Bachmühle 2

74673 Mulfingen

Phone: +49 7938 81-0

Fax: +49 7938 81-110

www.ebmpapst.com

info1@de.ebmpapst.com

Nominal data

Type	D2E097-BI56-02		
Motor	M2E052-CA		
Phase		1~	1~
Nominal voltage	[V]	230	230
Frequency	[Hz]	50	60
Type of data definition		rfa	rfa
Valid for approval / standard		CE	CE
Speed	[min ⁻¹]	1950	1850
Power input	[W]	87	100
Current draw	[A]	0.39	0.45
Motor capacitor	[μF]	2	2
Capacitor voltage	[VDB]	400	400
Min. back pressure	[Pa]	0	0
Max. ambient temperature	[°C]	40	35
Air flow	[m ³ /h]	435	410
Back pressure	[Pa]	0	0
Sound pressure level	[dB(A)]	58	57

ml = max. load · me = max. efficiency · rfa = running at free air · cs = customer specs · cu = customer unit
Subject to alterations

AC centrifugal fan with housing (without flange)

forward curved, dual inlet

Technical features

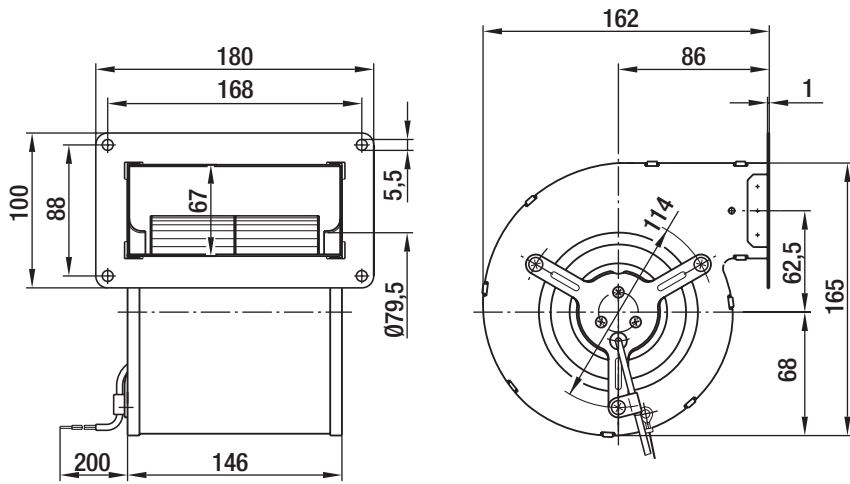
Leakage current	< 0,75 mA
General description	Without flange
Size	97 mm
Operation mode	Continuous operation (S1)
Direction of rotation	Counter-clockwise, seen on rotor
Insulation class	"B"
Bearing-motor	Ball bearing
Mass	1.5 kg
Housing material	Sendzimir galvanized sheet steel
Material of impeller	Sendzimir galvanized sheet steel
Motor protection	Thermal overload protector (TOP) wired internally
Product conforming to standard	CE
Type of protection	IP 20
Protection class	I
Approval	CCC; GOST

D2E097-BI56-02

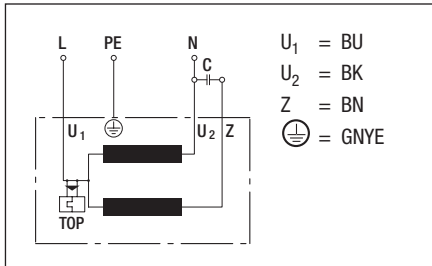
AC centrifugal fan with housing (without flange)

forward curved, dual inlet

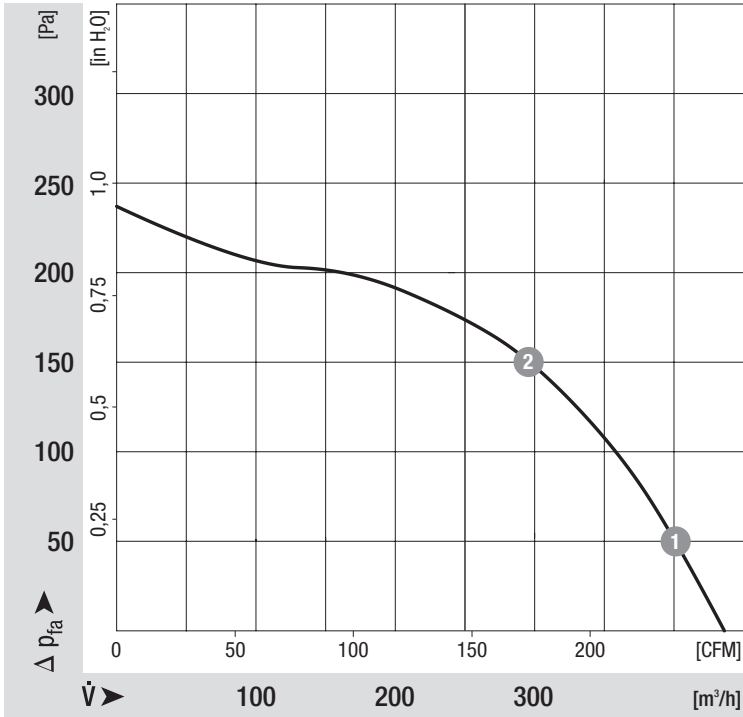
Product drawing



Connection screen



Charts: Air flow 50 Hz



	n	P ₁	I
	[min ⁻¹]	[W]	[A]
1	2150	83	0.37
2	2475	73	0.33

Charts: Air flow 60 Hz

