



- A PART OF ADDTECH GROUP

## DATA SHEET

|            |            |
|------------|------------|
| Customer:  |            |
| Ref.:      |            |
| Order:     |            |
| Motor:     |            |
| Serial nr: |            |
| Date:      | 13-03-2019 |

### ASYNCHRONOUS MOTOR 4A 90S-4

#### Nameplate data:

Code: 112354

| Type: | 4A 90S-4 |           |      |      | IP55 | F/B   | Amb. temp.: Max. 45° |            |  |
|-------|----------|-----------|------|------|------|-------|----------------------|------------|--|
| kW    | Hz       | V         | A    | Rpm  | Cos  | Eff.  | Duty                 | IE.class   |  |
| 1,10  | 50       | 220-240 D | 4,70 | 1390 | 0,77 | 76,2% | S1                   | IE1-(Eff2) |  |
| 1,10  | 50       | 380-415 Y | 2,70 | 1390 | 0,77 | 76,2% |                      |            |  |
| 1,32  | 60       | 440-480 Y | 2,82 | 1668 | 0,77 | 76,2% |                      |            |  |

#### Description:

|                     |            |
|---------------------|------------|
| Mounting form:      | B5         |
| Bearing DE:         | 6205-2Z/C3 |
| Bearing NDE:        | 6205-2Z/C3 |
| Weight - Kg.:       | 12         |
| Heater:             | No Heater  |
| PTC:                | No PTC     |
| Kgm <sup>2</sup> :  | 0,0023     |
| Sound press.-db(A): | 52,0       |

#### Other:

|  |  |
|--|--|
|  |  |
|  |  |
|  |  |
|  |  |
|  |  |
|  |  |
|  |  |
|  |  |
|  |  |
|  |  |

#### Test data S1-duty, Amb.temp 40°C:

|   |      |
|---|------|
| Voltage - V:  | 400  |
| Frequency - Hz:   | 50   |
| Power - kW:   | 1,10 |
| Full load speed - Rpm:                                  | 1390 |
| Full load current - A:                                  | 2,70 |
| Full load power factor - Cos:                           | 0,77 |
| Locked rotor current - A:                               | 16,2 |
| Locked rotor factor - A <sub>st</sub> /A <sub>n</sub> : | 6,0  |

|   |       |
|---|-------|
| Efficiency 100% load - %:                                   | 76,2% |
| Efficiency 75% load - %:                                    |       |
| Efficiency 50% load - %:                                    |       |
| Full load torque - Nm:                                      | 7,6   |
| Locked rotor torque - Nm:                                   | 17,4  |
| Locked rotor torque - Nm <sub>st</sub> /Nm <sub>n</sub> :   | 2,3   |
| Max. Pull out torque - Nm:                                  | 17,4  |
| Max. Pull out torque. - Nm <sub>st</sub> /Nm <sub>n</sub> : | 2,3   |

| Over load/speed test      | kW   | Hz | V                     | A    | Rpm  |
|---------------------------|------|----|-----------------------|------|------|
| Over load 160% - 15sec.   | 1,76 | 50 | 400                   | 4,32 | 1390 |
| Over speed 125% - 2 min.  | 1,1  | 63 | 400                   | 2,70 | 1738 |
| H-Pot test voltage: 1800V |      |    | Temp. rise in stator: |      |      |

The motor is produced in accordance with following harmonized standards:

IEC60034-1, IEC60034-2, IEC60034-5, IEC60034-6, IEC60034-7, IEC60034-8, IEC60034-9  
IEC60034-12, IEC60034-14, IEC60034-30, IEC60072.

Additional specifications in accordance with:

RINA - GL - LRS - BV - DNV - ABS - KR - RR - CCS - CCC - RMRS.

#### Bevi Group:

BEVI AB, Sweden  
BEVI A/S, Denmark  
BEVI Norge A/S, Norway  
BEVI Finland OY AB, Finland  
BEVI UAB, Lithuania  
BEVI CHINA, China

www.bevi.se  
www.bevi.dk  
www.bevi.no  
www.bevi.fi  
www.bevi.lt  
www.bevi.cn

sales@bevi.se  
bevi@bevi.dk  
info@bevi.no  
info@bevi.fi  
info@bevi.lt  
sales@bevi.cn

+46 499 271 00  
+45 39 67 36 05  
+47 22 07 66 50  
+358 9 2709 1210  
+370 5 2611 112  
+86 21 5032 5200

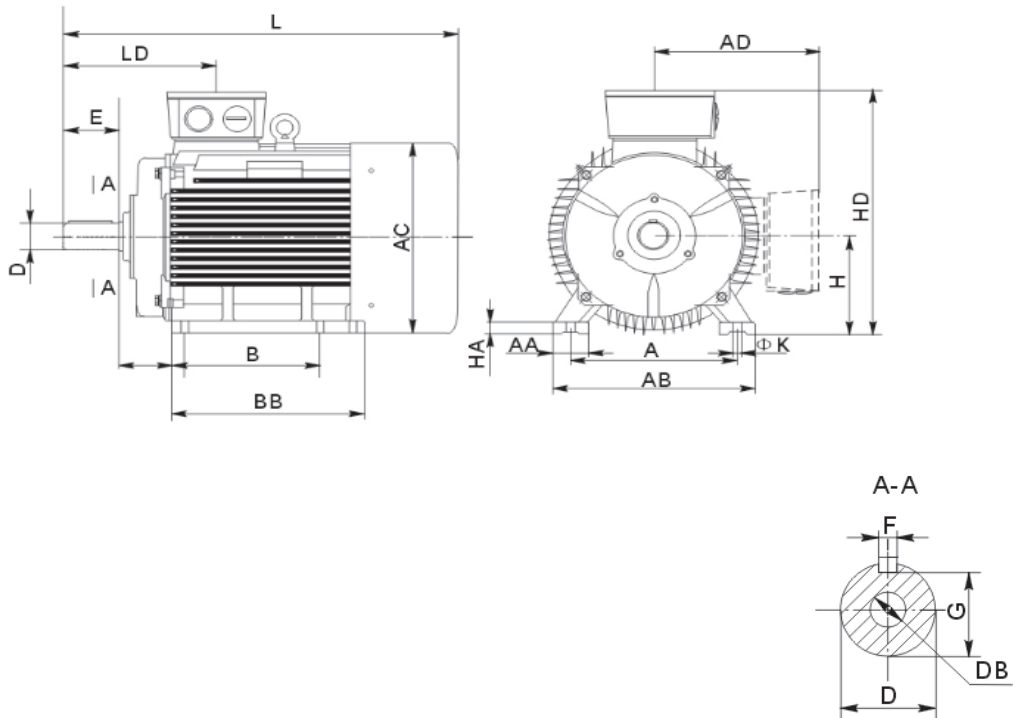


- A PART OF ADDTECH GROUP

## DATA SHEET

|            |            |
|------------|------------|
| Customer:  |            |
| Ref.:      |            |
| Order:     |            |
| Motor:     |            |
| Serial nr: |            |
| Date:      | 13-03-2019 |

### Foot mounted motor 4A 90S-4 B3



|         |             |        |
|---------|-------------|--------|
| A: 140  | HD: 230     | E: 50  |
| B: 100  | C: 56       | D: 24  |
| AB: 180 | H: 90       | G: 20  |
| AC: 195 | K: 10       | DB: M8 |
| AD: 140 | L: 315      | F: 8   |
| LD: 125 | L (V1): 365 |        |

#### Bevi Group:

BEVI AB, Sweden  
 BEVI A/S, Denmark  
 BEVI Norge A/S, Norway  
 BEVI Finland OY AB, Finland  
 BEVI UAB, Lithuania  
 BEVI CHINA, China

www.bevi.se  
 www.bevi.dk  
 www.bevi.no  
 www.bevi.fi  
 www.bevi.lt  
 www.bevi.cn

sales@bevi.se  
 bevi@bevi.dk  
 info@bevi.no  
 info@bevi.fi  
 info@bevi.lt  
 sales@bevi.cn

+46 499 271 00  
 +45 39 67 36 05  
 +47 22 07 66 50  
 +358 9 2709 1210  
 +370 5 2611 112  
 +86 21 5032 5200

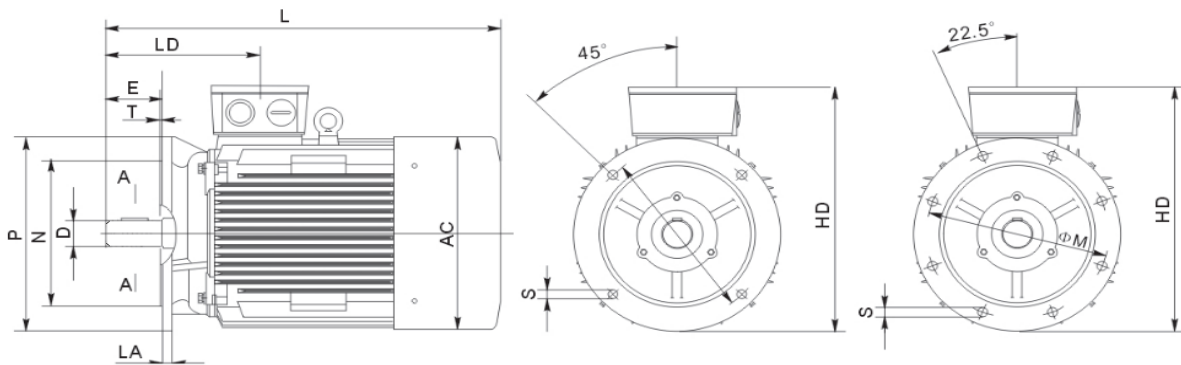


- A PART OF ADDTECH GROUP

## DATA SHEET

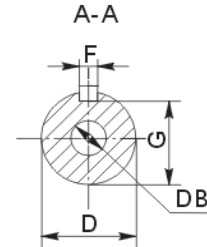
|            |            |
|------------|------------|
| Customer:  |            |
| Ref.:      |            |
| Order:     |            |
| Motor:     |            |
| Serial nr: |            |
| Date:      | 13-03-2019 |

### Flange mounted motor 4A 90S-4 B5



IEC 56-200

IEC 225-400



|        |             |        |
|--------|-------------|--------|
| M: 165 | HD: 230     | E: 50  |
| N: 130 | L: 315      | D: 24  |
| P: 200 | L (V1): 365 | G: 20  |
| S: 12  | LD: 125     | DB: M8 |
|        |             | F: 8   |

#### Bevi Group:

BEVI AB, Sweden  
 BEVI A/S, Denmark  
 BEVI Norge A/S, Norway  
 BEVI Finland OY AB, Finland  
 BEVI UAB, Lithuania  
 BEVI CHINA, China

www.bevi.se  
 www.bevi.dk  
 www.bevi.no  
 www.bevi.fi  
 www.bevi.lt  
 www.bevi.cn

sales@bevi.se  
 bevi@bevi.dk  
 info@bevi.no  
 info@bevi.fi  
 info@bevi.lt  
 sales@bevi.cn

+46 499 271 00  
 +45 39 67 36 05  
 +47 22 07 66 50  
 +358 9 2709 1210  
 +370 5 2611 112  
 +86 21 5032 5200

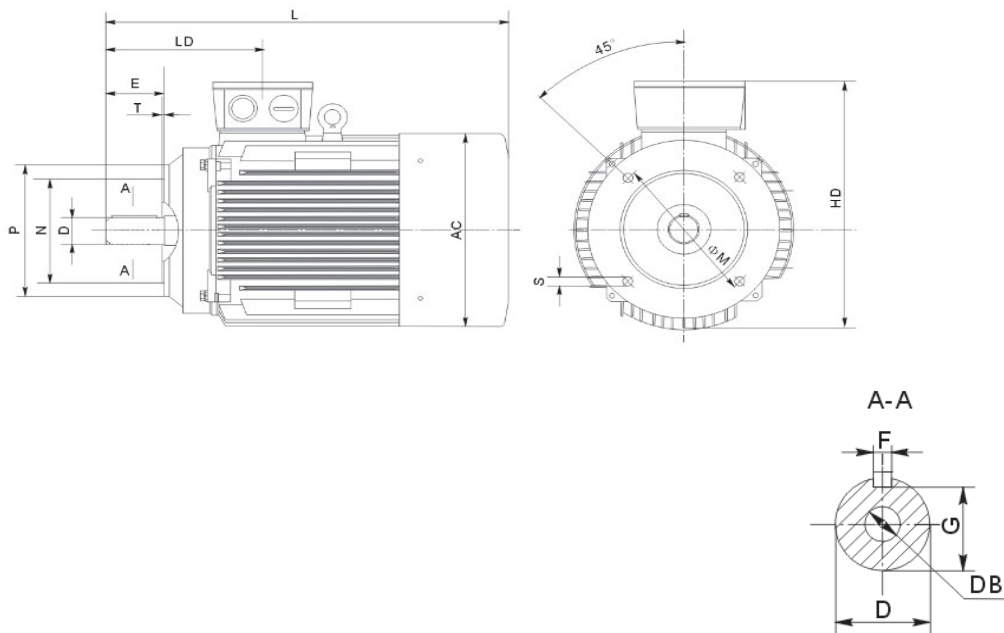


- A PART OF ADDTECH GROUP

## DATA SHEET

|            |            |
|------------|------------|
| Customer:  |            |
| Ref.:      |            |
| Order:     |            |
| Motor:     |            |
| Serial nr: |            |
| Date:      | 13-03-2019 |

### Flange mounted motor 4A 90S-4 B14A + (B14B)



#### Flange type: B14A

M: 115  
N: 95  
P: 140  
S: M8

#### B14B

130  
110  
160  
M8

HD: 230  
L: 315  
L (V1): 365  
LD: 125

E: 50  
D: 24  
G: 20  
DB: M8  
F: 8

#### Bevi Group:

BEVI AB, Sweden  
BEVI A/S, Denmark  
BEVI Norge A/S, Norway  
BEVI Finland OY AB, Finland  
BEVI UAB, Lithuania  
BEVI CHINA, China

www.bevi.se  
www.bevi.dk  
www.bevi.no  
www.bevi.fi  
www.bevi.lt  
www.bevi.cn

sales@bevi.se  
bevi@bevi.dk  
info@bevi.no  
info@bevi.fi  
info@bevi.lt  
sales@bevi.cn

+46 499 271 00  
+45 39 67 36 05  
+47 22 07 66 50  
+358 9 2709 1210  
+370 5 2611 112  
+86 21 5032 5200

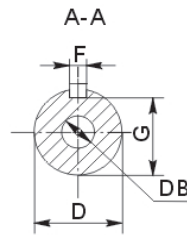
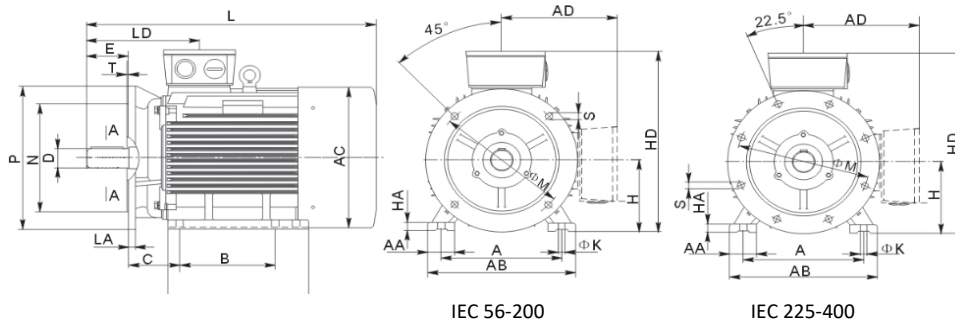


- A PART OF ADDTECH GROUP

## DATA SHEET

|            |            |
|------------|------------|
| Customer:  |            |
| Ref.:      |            |
| Order:     |            |
| Motor:     |            |
| Serial nr: |            |
| Date:      | 13-03-2019 |

### Foot & flange mounted motor 4A 90S-4 B3/B5



#### Flange type: B5

M: 165  
N: 130  
P: 200  
S: 12

|         |             |        |
|---------|-------------|--------|
| A: 140  | HD: 230     | E: 50  |
| B: 100  | C: 56       | D: 24  |
| AB: 180 | H: 90       | G: 20  |
| AC: 195 | K: 10       | DB: M8 |
| AD: 140 | L: 315      | F: 8   |
| LD: 125 | L (V1): 365 |        |

#### Bevi Group:

BEVI AB, Sweden  
BEVI A/S, Denmark  
BEVI Norge A/S, Norway  
BEVI Finland OY AB, Finland  
BEVI UAB, Lithuania  
BEVI CHINA, China

www.bevi.se  
www.bevi.dk  
www.bevi.no  
www.bevi.fi  
www.bevi.lt  
www.bevi.cn

sales@bevi.se  
bevi@bevi.dk  
info@bevi.no  
info@bevi.fi  
info@bevi.lt  
sales@bevi.cn

+46 499 271 00  
+45 39 67 36 05  
+47 22 07 66 50  
+358 9 2709 1210  
+370 5 2611 112  
+86 21 5032 5200