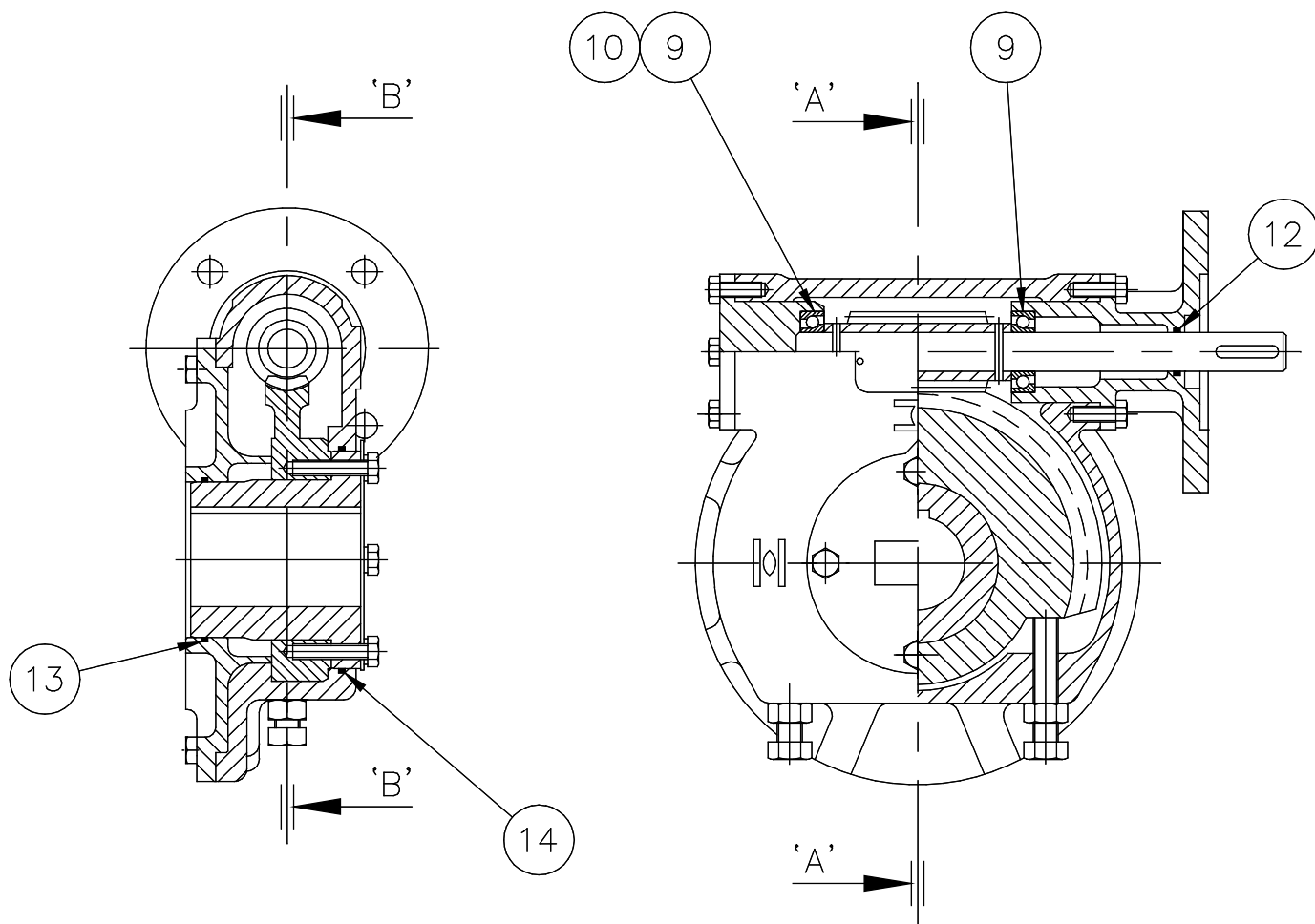


RECOMMENDED SPARES HOLDING FOR 5 YEARS OPERATION ON IW RANGE OF WORM GEAR ACTUATORS



SECTION 'A'-'A'

PART SECTION 'B'-'B'

ITEM	DESCRIPTION	QUANTITY
9	ANGULAR CONTACT BEARING	2 (IW3 - 8) or 6 (IW9 - 11)
10	SHIM	1 (WHERE APPLICABLE)
12	O RING	1
13	O RING	1
14	O RING	1