

Mobile Equipment Reels



reelcraft.com



Heavy Duty Hose Reels | Series 7000



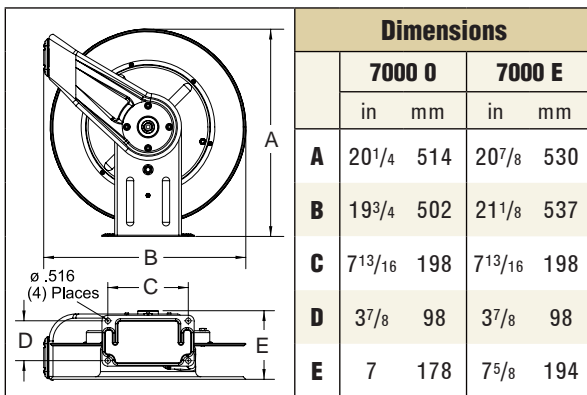
Made
in USA

7850 OLP

Heavy Duty Spring Retractable Hose Reels

Air/Water/Oil/Grease - 1/4", 3/8", 1/2", 3/4" I.D.

Series 7000 is very robust and ideal for the most demanding applications. The reel's base and guide arm are formed from high-grade steel and engineered with structural forms and gussets to yield the greatest amount of strength. The standard low pressure hose is for air or water service only. The basic reel without hose can be used for air, water or oil. Consult Reelcraft for other products and hoses. Guide arm adjusts to 3 positions.



For all metric thread connections over 1/2" add the suffix number 70 to indicate BSPT threads - example 7900 OLP70.

Applications

- Industrial
- Automotive service centers
- Transmission shops
- Fleet maintenance facilities
- Pneumatic tools
- Aircraft maintenance
- Tire stores
- Agriculture
- Service trucks
- Wash down

Enclosed Reels 7650 ELP



Series 7000 E reels are the same as 7000 O reels except **E Series reels are fully enclosed**. To order, change the model number suffix letter O to E. Example, 7650 OHP becomes 7650 EHP. Add 17 lbs. to open reel weight.

Model with Hose	Shipping Weight		Hose I.D.		Hose O.D.		Hose Length		**Max Pressure		(M)NPTF Hose Outlet	(F)NPTF Reel Inlet	Model without hose & bumper	Shipping Weight		Pressure	
	lbs	kg	in	mm	in	mm	ft	m	psi	bar	in	in		lbs	kg	psi	bar
Low Pressure Air/Water Reels Maximum Temperature 150 °F (65 °C) **Maximum working pressure at 70 °F (20 °C)																	
7650 OLP	43	20	3/8	10	.600	15	50	15	300	21	1/4	1/2	7600 OLP	40	18	500	35
7670 OLP	47	21	3/8	10	.600	15	70	22	300	21	1/4	1/2	7607 OLP	40	18	500	35
7850 OLP	47	21	1/2	13	.750	19	50	15	300	21	3/8	1/2	7800 OLP	41	19	500	35
7850 OLP121	47	21	1/2	13	.750	19	50	15	300	21	1/2	1/2	7800 OLP	41	19	500	35
7850 OLP5W57	47	21	1/2	13	.750	19	50	15	300	21	3/4 NH	1/2	7800 OLP	41	19	500	35
7925 OLP	47	21	3/4	19	1.075	27	25	8	250	17	3/4	3/4	7900 OLP	44	20	500	35
F7925 OLP*	47	21	3/4	19	1.075	27	25	8	50	3	3/4	3/4	F7900 OLP	45	20	500	35
Medium Pressure Oil Reels Maximum Temperature 210 °F (99 °C)																	
7650 OMP	55	25	3/8	10	.690	18	50	15	2600	179	3/8	1/2	7600 OMP	43	20	3000	207
7850 OMP	57	26	1/2	13	.820	21	50	15	3250	224	1/2	1/2	7800 OMP	43	20	3250	224
High Pressure Grease Reels Maximum Temperature 210 °F (99 °C)																	
7450 OHP	55	25	1/4	6	.580	15	50	15	5000	345	1/4	1/2	7400 OHP	43	20	5000	345
7650 OHP	60	27	3/8	10	.730	19	50	15	4800	331	1/4	1/2	7600 OHP	46	21	5000	345

Low pressure reels furnished standard with PVC hose. Medium pressure reels furnished standard with S.A.E. 100 R1T one wire braid hose. High pressure reels furnished standard with S.A.E. 100 R2T two wire braid hose. For hydraulic or other applications please consult manufacturer. *Series F7925 OLP supplied with UL330 and UCL approved fuel grade hose with a 250 psi (17 bar) minimum burst.

Available Options

Mounting Brackets



Inlet Hose Assemblies



Replacement Bumpers



Replacement Hoses



Models listed with an icon can ship same day upon request when the order is received by 11:30 AM Eastern Time for quantities of 10 or fewer.

IN Indiana Warehouse

CA Indiana & California Warehouses

CA California Warehouse

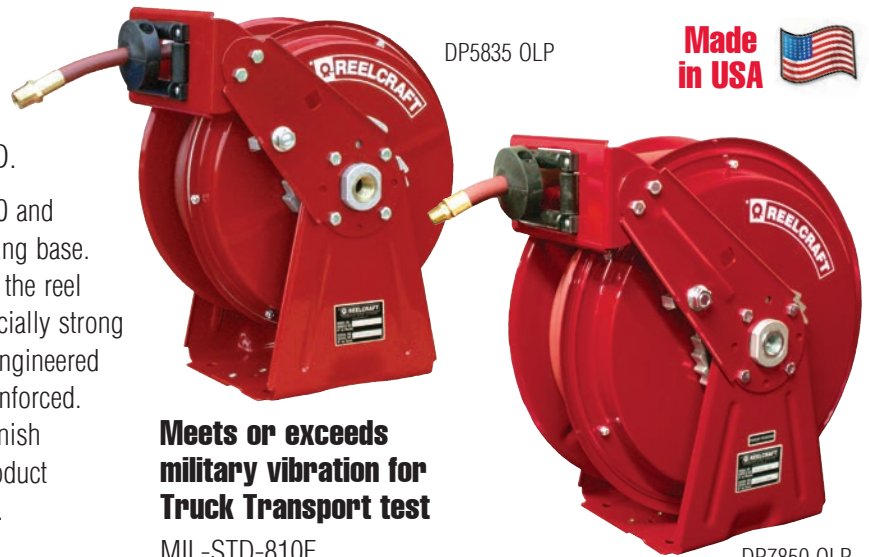
CA Canadian Warehouse

Compact, Dual Pedestal Reels | Series DP5000 / DP7000

Heavy Duty Spring Retractable Hose Reels

Air/Water/Oil/Grease - 1/4", 3/8", 1/2" I.D.

Reelcraft's new compact dual pedestal Series DP5000 and DP7000 feature an innovative, non-welded, interlocking base. Independent testing to military standards has proven the reel stand up to heavy vibration, which makes them especially strong and ideal for truck-mounted applications. Superbly engineered dual pedestal base and guide arm are structurally reinforced. All-steel construction and a baked-on powder coat finish combine to produce a rugged corrosion-resistant product suitable for a wide variety of heavy duty applications.



DP5835 OLP

Made in USA

DP7850 OLP

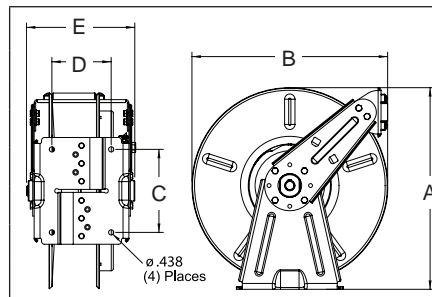
Meets or exceeds military vibration for Truck Transport test MIL-STD-810F 500,000 mile equivalent

✓ Superior corrosion-resistance

A double adhesive gasket seals the spring case. Steel parts are powder coated to provide excellent protection against weathering.

✓ Ease of operation

The latch pawl is mounted on the guide arm to prevent latch out at full extension. The high impact, nylon-filled guide rollers make retraction and pay out nearly effortless.



Dimensions - Size Index				
	1	2	3	4
	in mm	in mm	in mm	in mm
A	16 ³ / ₈ 416	16 ³ / ₈ 416	17 432	17 432
B	14 ³ / ₈ 365	14 ³ / ₈ 365	16 ¹ / ₂ 419	16 ¹ / ₂ 419
C	7 178	7 178	7 178	7 178
D	4 102	5 127	4 102	5 127
E	8 203	9 229	8 203	9 229

Model with Hose	Shipping Weight		Hose I.D.		Hose O.D.		Hose Length		**Max Pressure	(M)NPTF Hose Outlet	(F)NPTF Reel Inlet	Model without hose & bumper	Shipping Weight		Pressure	Size Index #		
	lbs	kg	in	mm	in	mm	ft	m	psi	bar	in		in	lbs			kg	psi
Low Pressure Air/Water Reels Maximum Temperature 150 °F (65 °C) w/hose / 210 °F (99 °C) w/o hose **Maximum working pressure at 70 °F (20 °C)																		
DP5435 OLP	34	15	1/4	6	.475	12	35	11	300	21	1/4	1/2	DP5400 OLP	29	13	500	35	1
DP5450 OLP	37	17	1/4	6	.475	12	50	15	300	21	1/4	1/2	DP5400 OLP	29	13	500	35	1
DP7450 OLP	46	21	1/4	6	.475	12	50	15	300	21	1/4	1/2	DP7400 OLP	44	20	500	35	3
DP5635 OLP	41	19	3/8	10	.600	15	35	11	300	21	1/4	1/2	DP5600 OLP	37	17	500	35	1
DP5650 OLP	44	20	3/8	10	.600	15	50	15	300	21	1/4	1/2	DP5605 OLP	38	17	500	35	2
DP7650 OLP	50	23	3/8	10	.600	15	50	15	300	21	1/4	1/2	DP7600 OLP	44	20	500	35	3
DP5835 OLP	52	24	1/2	13	.750	19	35	11	300	21	3/8	1/2	DP5800 OLP	38	17	500	35	2
DP7850 OLP	53	24	1/2	13	.750	19	50	15	300	21	3/8	1/2	DP7800 OLP	45	20	500	35	4
DP7850 OLP121	53	24	1/2	13	.750	19	50	15	300	21	1/2	1/2	DP7800 OLP	45	20	500	35	4
Medium Pressure Oil Reels Maximum Temperature 210 °F (99 °C)																		
DP7650 OMP	55	25	3/8	10	.690	18	50	15	2600	179	3/8	1/2	DP7600 OMP	45	20	3000	207	3
DP5835 OMP	54	24	1/2	13	.820	21	35	11	3250	224	1/2	1/2	DP5800 OMP	40	18	3250	224	2
DP7850 OMP	64	29	1/2	13	.820	21	50	15	3250	224	1/2	1/2	DP7800 OMP	45	20	3250	224	4
High Pressure Grease Reels Maximum Temperature 210 °F (99 °C)																		
DP7450 OHP	59	27	1/4	6	.580	15	50	15	5000	345	1/4	1/2	DP7400 OHP	44	20	5000	345	3
DP5635 OHP	43	20	3/8	10	.730	19	35	11	4800	331	3/8	1/2	DP5600 OHP	40	18	5000	345	2
DP7650 OHP	65	29	3/8	10	.730	19	50	15	4800	331	1/4	1/2	DP7600 OHP	46	21	5000	345	3

Low pressure reels furnished standard with PVC hose. Medium pressure reels furnished standard with S.A.E. 100 R1T one wire braid hose. High pressure reels furnished standard with S.A.E. 100 R2T two wire braid hose.

Available Options	Mounting Brackets	Inlet Hose Assemblies	Replacement Bumpers	Replacement Hoses
--------------------------	--------------------------	------------------------------	----------------------------	--------------------------

Models listed with an icon can ship same day upon request when the order is received by 11:30 AM Eastern Time for quantities of 10 or fewer.

Indiana Warehouse Indiana & California Warehouses California Warehouse Canadian Warehouse

Customer Service: 1.855.634.9109
All Other Calls: 1.800.444.3134

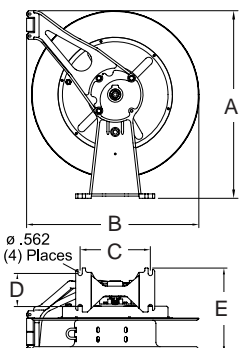


Vehicle-Mount Reels | Series D8000 / E8000



D8650 OLP

Made in USA 

	Dimensions			
	D/E8000 O		D8000 E	
	in	mm	in	mm
A	21 ¹ / ₈	537	21 ⁵ / ₈	549
B	19	483	20 ⁷ / ₈	530
C	7 ⁷ / ₈	200	7 ⁷ / ₈	200
D	3 ³ / ₄	95	3 ³ / ₄	98
E	9 ¹ / ₄	235	10 ¹ / ₂	267

Heavy Duty Spring Retractable Reels Air/Water/Oil/Grease - 1/4", 3/8", 1/2" I.D.

The heavy duty aluminum cast base and arm of the Series D8000 and E8000 offers the highest rigidity among this class of hose reels. The guide arm is field-adjustable for various truck mounting locations. The durable baked-on, powder-coat finish provides a high quality ultra-violet radiation (sunlight), weather and chip-resistant finish.








Enclosed Reels
D8650 ELP



Series D8000 E reels are the same as D8000 O reels except **these reels are fully enclosed**. To order, change the model number suffix letter O to E. Example, D8650 OLP becomes D8650 ELP. Add 17 pounds to open reel weight.

FEATURES

- ✓ The high tensile strength aluminum guide arm and base gives maximum strength with minimum payload weight.
- ✓ A special heavy, double adhesive sided spring case gasket protects the main spring from damage (failure) caused by water, dirt or other foreign matter entering the spring case.
- ✓ Full flow shaft and swivel.
- ✓ Reel springs are manufactured from the highest quality scale-less blue tempered steel.

Model with Hose	Shipping Weight		Hose I.D.		Hose O.D.		Hose Length		**Max Pressure		(M)NPTF Hose Outlet	(F)NPTF Reel Inlet	Model without hose & bumper	Shipping Weight		Pressure	
	lbs	kg	in	mm	in	mm	ft	m	psi	bar	in	in		lbs	kg	psi	bar
Low Pressure Air/Water Reels Maximum Temperature 150 °F (65 °C) w/hose / 210 °F (99 °C) w/o hose **Maximum working pressure at 70 °F (20 °C)																	
D8650 OLP	45	20	3/8	10	.600	15	50	15	300	21	1/4	1/2	D8600 OLP	40	18	500	35
D8670 OLP	47	21	3/8	10	.600	15	70	21	300	21	1/4	1/2	D8600 OLP	40	18	500	35
 D8850 OLP	47	21	1/2	13	.750	19	50	15	300	21	3/8	1/2	D8800 OLP	41	19	500	35
 E8850 OLP*	47	21	1/2	13	.750	19	50	15	300	21	3/8	1/2	E8800 OLP	41	19	500	35
Medium Pressure Oil Reels Maximum Temperature 210 °F (99 °C)																	
D8650 OMP	47	21	3/8	10	.690	18	50	15	2600	179	3/8	1/2	D8600 OMP	43	20	3000	207
D8840 OMP	53	24	1/2	13	.820	21	40	12	3250	224	1/2	1/2	D8800 OMP 	43	20	3250	224
 D8850 OMP	57	26	1/2	13	.820	21	50	15	3250	224	1/2	1/2	D8800 OMP 	43	20	3250	224
 E8850 OMP*	57	26	1/2	13	.820	21	50	15	3250	224	1/2	1/2	E8800 OMP	43	20	3250	224
High Pressure Grease Reels Maximum Temperature 210 °F (99 °C)																	
 D8450 OHP	53	24	1/4	6	.580	15	50	15	5000	345	1/4	1/2	D8400 OHP	44	20	5000	345
D8650 OHP	60	27	3/8	10	.730	19	50	15	4800	331	1/4	1/2	D8600 OHP	44	20	5000	345
E8650 OHP*	60	27	3/8	10	.730	19	50	15	4800	331	1/4	1/2	E8600 OHP	44	20	5000	345

*Series E8000 models are for lubrication trucks. Low pressure reels furnished standard with PVC hose. Medium pressure reels are furnished standard with S.A.E. 100 R1T one wire braid hose. High pressure reels furnished standard with SAE 100 R2T two wire braid hose.

Available Options

Optional Roller Guides 

Inlet Hose Assemblies 

Replacement Bumpers 

Replacement Hoses 

Models listed with an icon can ship same day upon request when the order is received by 11:30 AM Eastern Time for quantities of 10 or fewer.

 Indiana Warehouse

 Indiana & California Warehouses

 California Warehouse

 Canadian Warehouse

Heavy Duty Spring Retractable Reels

Air/Water/Oil/Grease - 3/8", 1/2", 3/4", 1" I.D.

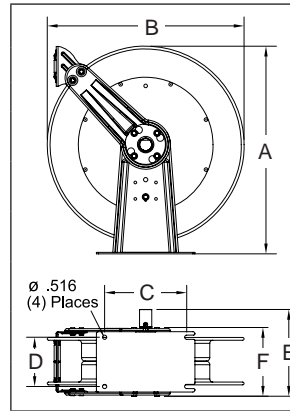
Reelcraft's Series 80000 and D80000 spring retractable reels incorporate the most current design and manufacturing techniques to increase service life and performance. The all-steel construction and a baked-on powder coat finish combine to produce a rugged, corrosion-resistant product suitable for a wide variety of heavy duty applications. Series D80000 reels are also supplied with Reelcraft's ball-bearing style swivel.



82100 OLP

FEATURES

- ✓ Hose anti latch-out feature ensures hose retracts every time.
- ✓ Guide arm is field adjustable for wall, ceiling, or truck mounting positions.
- ✓ Dual pedestal base and guide arm design are structurally reinforced.
- ✓ Five-in-one, heat-treated aluminium casting incorporates main shaft, ratchet, spring arbor and inlet/outlet plumbing in one-piece casting.
- ✓ Containerized spring assembly provides safer and easier handling during maintenance.
- ✓ Two sealed ball bearings for smooth rotation of main shaft.



	Dimensions - Size Index					
	1		2		3	
	in	mm	in	mm	in	mm
A	25 ³ / ₈	645	25 ³ / ₈	645	25 ³ / ₈	645
B	24	610	24	610	24	610
C	10	254	10 ¹ / ₂	267	10 ¹ / ₂	267
D	6	152	7 ⁷ / ₈	200	7 ⁷ / ₈	200
E	10 ¹ / ₂	267	13	330	15 ³ / ₄	400
F	8 ¹ / ₈	206	10 ³ / ₈	264	10 ³ / ₈	264

Model with Hose	Shipping Weight		Hose I.D.		Hose O.D.		Hose Length		**Max Pressure	(M)NPTF Hose Outlet	(F)NPTF Reel Inlet	Model without hose & bumper	Shipping Weight		Pressure		Size Index #	
	lbs	kg	in	mm	in	mm	ft	m	psi	bar	in		in	lbs	kg	psi		bar
Low Pressure Air/Water Reels Maximum Temperature 150 °F (65 °C) w/hose / 210 °F (99 °C) w/o hose **Maximum working pressure at 70 °F (20 °C)																		
81100 OLP	82	37	3/8	10	.600	15	100	30	300	21	3/8	1/2	81000 OLP	77	35	500	35	1
82075 OLP	87	39	1/2	13	.750	19	75	23	300	21	1/2	1/2	82000 OLP	82	37	500	35	1
82100 OLP	95	43	1/2	13	.750	19	100	30	300	21	1/2	1/2	82000 OLP	82	37	500	35	1
83050 OLP	88	40	3/4	19	1.075	27	50	15	250	17	3/4	3/4	83000 OLP	77	35	500	35	1
F83050 OLP*	89	41	3/4	19	1.075	27	50	15	50	3	3/4	3/4	F83000 OLP	74	34	500	35	1
D83075 OLP	102	46	3/4	19	1.075	27	75	23	250	17	3/4	3/4	D83000 OLP	83	38	500	35	2
D84050 OLP	103	47	1	25	1.375	35	50	15	250	17	3/4	1	D84000 OLP	91	41	500	35	3
Medium Pressure Oil Reels Maximum Temperature 210 °F (99 °C)																		
82075 OMP	101	46	1/2	13	.850	22	75	23	2000	138	1/2	1/2	82000 OMP	82	37	2000	138	1
83050 OMP	98	44	3/4	19	1.188	30	50	15	1250	86	3/4	3/4	83000 OMP	84	38	1500	104	1
High Pressure Grease Reels Maximum Temperature 210 °F (99 °C)																		
81075 OHP	111	50	3/8	10	.730	19	75	23	4800	331	3/8	3/8	81000 OHP	85	39	5000	345	1
81100 OHP	127	58	3/8	10	.730	19	100	30	4800	331	3/8	3/8	81000 OHP	85	39	5000	345	1

*Model F83050 OLP equipped with UL330 and ULC approved fuel grade hose. 250 psi (17 bar) minimum burst. For all metric thread connections over 1/2" add the suffix number 70 to indicate BSPT threads - example 83050 OLP70. Low pressure reels furnished standard with PVC hose. Medium pressure reels are furnished standard with S.A.E. 100 R1T one wire braid hose. High pressure reels furnished standard with SAE 100 R2T two wire braid hose. Modifications: Reels without hose can be modified to handle gasoline and diesel fuel. To order, place prefix "F" before model number (F83000 OLP).

Available Options	Mounting Brackets	Inlet Hose Assemblies	Replacement Bumpers	Replacement Hoses
--------------------------	--------------------------	------------------------------	----------------------------	--------------------------

Models listed with an icon can ship same day upon request when the order is received by 11:30 AM Eastern Time for quantities of 10 or fewer.

Indiana Warehouse Indiana & California Warehouses California Warehouse Canadian Warehouse

Customer Service: 1.855.634.9109
All Other Calls: 1.800.444.3134



Low Profile Hose Reels | Series SD10000



SD13050 OLP

Spring Retractable Low Profile Reels Air/Water/Oil/Vacuum Recovery - 3/4", 1" I.D.

Series SD10000 hose reels are designed to facilitate larger diameter 3/4" and 1" hose up to 50 ft. They feature a high quality external drive spring and a heavy gauge all-bolted together frame. This is the most compact reel in its class, making it ideal for mounting in truck cabinets or other areas where space is limited.

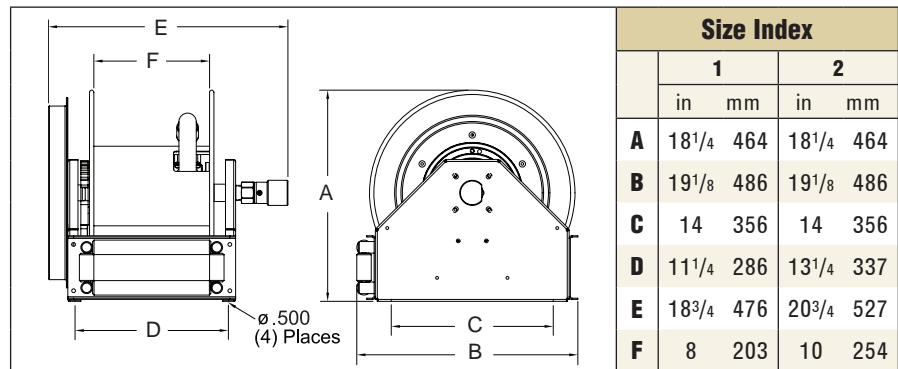
SPECIFICATIONS

- High impact UHMW guide rollers
- Corrosion resistant powder coat paint
- 1 3/8" solid main shaft
- Four 5/8" tie rods maintain reel integrity and provide added support
- Containerized external drive spring assembly is easily and safely serviced
- Ultra low profile design for mounting in cabinetry
- Ductile iron fluid path parts
- Stainless latch spring and widened aluminum ratchet/pawl
- Torsion spring for longer service life

Made in USA 

FEATURES

- ✓ Reel features extreme space saving design, ideal for applications with minimal space constraints.
- ✓ Reel is built with high quality industrial grade components for superior strength and design.



All models are bottom wind unless otherwise specified. Additional bracket required for other guide arm positions.

Model with Hose	Shipping Weight		Hose I.D.		Hose O.D.		Hose Length		**Max Pressure		(M)NPTF Hose Outlet	(F)NPTF Reel Inlet	Model without hose & bumper	Shipping Weight		Pressure		Size Index #
	lbs	kg	in	mm	in	mm	ft	m	psi	bar	in	in		lbs	kg	psi	bar	
Low Pressure Air/Water Reels Maximum Temperature 150 °F (65 °C) **Maximum working pressure at 70 °F (20 °C)																		
SD13035 OLP	95	43	3/4	19	1.188	30	35	11	250	17	3/4	1	SD13000 OLP	85	39	500	35	1
SD13050 OLP	105	48	3/4	19	1.188	30	50	15	250	17	3/4	1	SD13000 OLP	85	39	500	35	1
SD14035 OLP	102	46	1	25	1.375	35	35	11	250	17	3/4	1	SD14000 OLP	85	39	500	35	1
SD14050 OLP	125	57	1	25	1.375	35	50	15	250	17	3/4	1	SD14005 OLP	92	42	500	35	2
Medium Pressure Oil Reels Maximum Temperature 210 °F (99 °C)																		
SD13035 OMP	95	43	3/4	19	1.188	30	35	11	1250	86	3/4	1	SD13000 OMP	85	39	3000	207	1
SD13050 OMP	105	48	3/4	19	1.188	30	50	15	1250	86	3/4	1	SD13000 OMP	85	39	3000	207	1
Vacuum Recovery Reels Maximum Temperature 210 °F (99 °C)																		
SD13035 OVP	95	43	3/4	19	1.260	32	35	11	28 Hg~300 psi		3/4	1	SD13000 OVP	85	39	28 Hg~300 psi		1
SD13050 OVP	105	48	3/4	19	1.260	32	50	15	28 Hg~300 psi		3/4	1	SD13000 OVP	85	39	28 Hg~300 psi		1
SD14035 OVP	102	46	1	25	1.496	38	35	11	28 Hg~250 psi		1	1	SD14000 OVP	85	39	28 Hg~300 psi		1
SD14050 OVP	125	57	1	25	1.496	38	50	15	28 Hg~250 psi		1	1	SD14005 OVP	92	42	28 Hg~300 psi		2

NOTE: Vacuum Recovery Reel capacities based on using SAE 100 R4 hose or equivalent. Minimum bend radius is 8", max O.D. 1.500".

Available Options

Optional Roller Guides 

Inlet Hose Assemblies 

Replacement Bumpers 

Replacement Hoses 

Models listed with an icon can ship same day upon request when the order is received by 11:30 AM Eastern Time for quantities of 10 or fewer.

 Indiana Warehouse

 Indiana & California Warehouses

 California Warehouse

 Canadian Warehouse

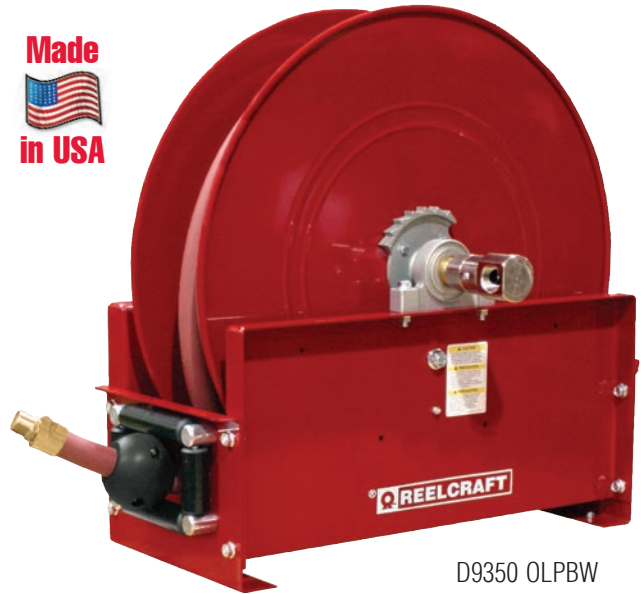
Ultimate Duty Spring Retractable Reels

Air/Water/Oil/Grease - 1/2", 3/4", 1", 1 1/4", 1 1/2" I.D.

Series 9000 mobile base reels offer the greatest amount of stability for high volume air, water, diesel fuel and gasoline. Ideal for portable service trucks, permanent service or plant work areas. A durable baked-on powder coat finish produces a rugged corrosion resistant product suitable for a wide variety of heavy duty applications. Basic reels without hose will handle air, water or oil; consult Reelcraft for other applications.

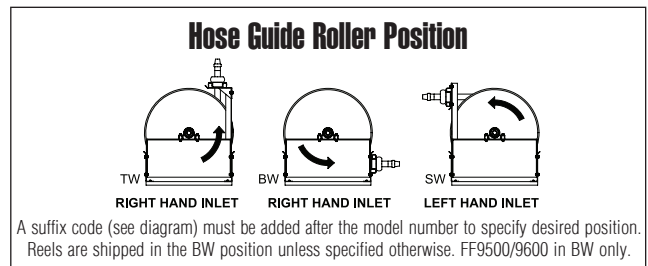
Made

in USA



D9350 OLPBW

	Dimensions - Size Index					
	1		2		3	
	in	mm	in	mm	in	mm
A	26 3/8	670	26 3/8	670	26 3/8	670
B	26 1/4	667	26 1/4	667	26 1/4	667
C	22 1/4	565	22 1/4	565	22 1/4	565
D	7 3/4	197	13 1/2	343	7 3/4	197
E	12	305	17 3/4	451	13 3/8	340
F	24 1/8	613	24 1/8	613	24 1/8	613
G	4 3/4	121	3 7/8	98	4 1/2	114







Model with Hose	Shipping Weight		Hose I.D.		Hose O.D.		Hose Length		**Max Pressure		(M)NPTF Hose Outlet	(F)NPTF Reel Inlet	Model without hose & bumper	Shipping Weight		Pressure	Size Index #	
	lbs	kg	in	mm	in	mm	ft	m	psi	bar	in	in		lbs	kg			psi
Low Pressure Air/Water Reels Maximum Temperature 150 °F (65 °C) **Maximum working pressure at 70 °F (20 °C)																		
D9275 OLP	122	55	1/2	13	.750	19	75	23	300	21	1/2	1/2	D9200 OLP	115	52	500	35	1
D9299 OLP	127	58	1/2	13	.750	19	100	30	300	21	1/2	1/2	D9200 OLP	115	52	500	35	1
D9350 OLP	140	64	3/4	19	1.075	27	50	15	250	17	3/4	3/4	D9300 OLP	115	52	500	35	1
D9375 OLP	152	69	3/4	19	1.075	27	75	23	250	17	3/4	3/4	D9300 OLP	115	52	500	35	1
D9399 OLPBW	143	65	3/4	19	1.075	27	100	30	250	17	3/4	3/4	D9305 OLPBW	115	52	500	35	3
D9450 OLP	157	71	1	25	1.375	35	50	15	250	17	3/4	1	D9400 OLP	115	52	500	35	1
D9465 OLPBW	164	74	1	25	1.375	35	65	20	250	17	3/4	1	D9405 OLPBW	115	52	500	35	3
Not available with hose			1 1/4	32	1.750	44	50	15	---	---	-----	1 1/2	FF9500 OLPBW CA	125	57	600	41	2
Not available with hose			1 1/2	38	2.000	51	50	15	---	---	-----	1 1/2	FF9600 OLPBW CA	135	61	600	41	2
Medium Pressure Oil Reels Maximum Temperature 210 °F (99 °C)																		
D9275 OMP	131	59	1/2	13	.820	21	75	23	3250	224	1/2	1/2	D9200 OMP	117	53	3250	224	1
D9350 OMP	142	64	3/4	19	1.188	30	50	15	1250	86	3/4	3/4	D9300 OMP	117	53	3000	207	1
E9450 OMP	160	73	1	25	1.480	38	50	15	3250	224	1	1	E9400 OMP	120	54	3250	224	1
High Pressure Grease Reels Maximum Temperature 210 °F (99 °C)																		
D9175 OHP	153	69	3/8	10	.730	19	75	23	4800	331	3/8	1/2	D9100 OHP	118	54	5000	345	1

Low pressure reels furnished standard with PVC hose. Medium pressure reels are furnished standard with S.A.E. 100 R1T one wire braid hose. High pressure reels furnished standard with SAE 100 R2T two wire braid hose. For all metric thread connections over 1/2" add the suffix number 70 to indicate BSPT threads - example D9300 OLP70. FF9500 and FF9600 models will have BSPP threads. **Note: Change prefix from D to E to specify our heavy duty model with larger spring capacity, additional seals and grease fittings. Not available on FF9500 or FF9600.** Modification: Reels without hose can be modified to handle gasoline and diesel fuel, to order place prefix "F" before model number - example (FD9300 OLP).

Available Options	Optional Roller Guides 	Inlet Hose Assemblies 	Replacement Bumpers 	Replacement Hoses 
--------------------------	---	--	---	--

Models listed with an icon can ship same day upon request when the order is received by 11:30 AM Eastern Time for quantities of 10 or fewer.

 Indiana Warehouse  Indiana & California Warehouses  California Warehouse  Canadian Warehouse

Customer Service: 1.855.634.9109
All Other Calls: 1.800.444.3134



Fuel Delivery Reels | Series F7000 / FE/FD/FF9000 / F/FD80000 / G



FD83075 OLP

Spring Retractable Fuel Reels

F7000 - 3/4" I.D. / **FF9000** - 1 1/4", 1 1/2" I.D.

FE9000, FD9000 - 3/4", 1" I.D.

F80000, FD80000 - 3/4", 1" I.D.

FSD10000 - 3/4", 1" I.D.

Reelcraft's spring retractable fuel delivery reels, equipped with Viton seals, incorporate metal forms to insure the greatest possible strength and are ideal for mobile and permanent-mount applications. These rugged, corrosion-resistant reels are suitable for a wide variety of fuel applications including E85. Series F/FD/FE/FSD reels are all supplied with our ball-bearing style swivel.

Model with Hose	Shipping Weight		Hose I.D.		Hose O.D.		Hose Length		Pressure		(M)NPTF Hose Outlet	(F)NPTF Reel Inlet	Model without hose & bumper	Shipping Weight		Pressure		Size Index Page	Size Index #		
	lbs	kg	in	mm	in	mm	ft	m	psi	bar	in	in		lbs	kg	psi	bar				
Low Pressure Fuel Reels Maximum Temperature 150 °F (65 °C) w/hose / 210 °F (99 °C) w/o hose																					
CA	F7925 OLP	47	21	3/4	19	1.188	30	25	8	*50	3	3/4	3/4	F7900 OLP	CA	45	20	500	35	10	---
CA	F83050 OLP	89	40	3/4	19	1.188	30	50	15	*50	3	3/4	3/4	F83000 OLP	CA	74	34	500	35	13	1
	FD83075 OLP	115	52	3/4	19	1.188	30	75	23	*50	3	3/4	3/4	FD83000 OLP	CA	82	37	500	35	13	2
	FD84035 OLP	94	43	1	25	1.500	38	35	11	*50	3	1	1	FD84000 OLP	CA	84	38	500	35	13	3
CA	FD84050 OLP	115	52	1	25	1.500	38	50	15	*50	3	1	1	FD84000 OLP	CA	84	38	500	35	13	3
	FE9350 OLP	140	64	3/4	19	1.188	30	50	15	*50	3	3/4	3/4	FE9300 OLP		115	52	500	35	15	1
	FE9450 OLP	157	71	1	25	1.500	38	50	15	*50	3	1	1	FE9400 OLP		115	52	500	35	15	1
	FD9350 OLP	140	64	3/4	19	1.188	30	50	15	*50	3	3/4	3/4	FD9300 OLP		114	52	500	35	15	1
CA	FD9450 OLP	157	71	1	25	1.500	38	50	15	*50	3	1	1	FD9400 OLP	CA	113	51	500	35	15	1
	Not available with hose			1 1/4	32	1.750	44	50	15	--	--	1 1/4	1 1/2	FF9500 OLPBW	CA	125	57	600	41	15	2
	Not available with hose			1 1/2	38	2.000	51	50	15	--	--	1 1/2	1 1/2	FF9600 OLPBW	CA	135	61	600	41	15	2
	FSD13035 OLP	102	46	3/4	19	1.188	30	35	11	*50	3	3/4	1	FSD13000 OLP		85	39	500	35	14	1
	FSD13050 OLP	110	50	3/4	19	1.188	30	50	15	*50	3	3/4	1	FSD13000 OLP		85	39	500	35	14	1
	FSD14035 OLP	105	48	1	25	1.500	38	35	11	*50	3	1	1	FSD14000 OLP		85	39	500	35	14	1
	FSD14050 OLP	127	58	1	25	1.500	38	50	15	*50	3	1	1	FSD14005 OLP		92	42	500	35	14	2

*Models equipped with UL330 and ULC approved fuel grade hose. 250 psi minimum burst (17 Bar). For all metric thread connections 1" and under add the suffix number 70 to indicate BSPT threads, example FD80000 OLP70. For all metric threads above 1" add 118 for BSPP threads. FF Models supplied with 1 1/2" inlet. Flow rates of fuel hose are reduced by 30% with addition of internal spring type bend restrictors. For example, flow rate of F7925 OLP with internal bend restrictors is 9.0 GPM at 40 psi; flow without internal bend restrictors is 13.0 GPM at 40 psi.

Static Discharge / Grounding Reels

Series G 3000

Static discharge reels are used to ground equipment operating in hazardous atmospheres. When properly clamped to ground, the static discharge reel dissipates static electrical buildup, reducing the chances of sparking and the potential for explosion.



Model	Cable Extended		Clamp Rating	Max Temp		Cable Notes	Shipping Weight		
	ft	m		°F	°C		lbs	kg	
CA	G 3050	50	15	100 AMP	150	66	Single 7 x 7 stranded steel*	12	5
IN	G 3050 Y	50	15	100 AMP	150	66	35' (9.2m) plus dual 15' (4.6m) for Y* Total extension 50' (15m)	12	5
CA	G 3050 N	50	15	100 AMP	150	66	Nylon covered cable**	12	5
CA	GA3100 N	100	30	100 AMP	125	52	Hi-vis orange nylon covered cable**	16	7
IN	GHC3100 N	100	30	100 AMP	125	52	Hi-vis orange nylon covered cable**	12	5

*3/32" OD steel aircraft cable. DC resistance is approximately one ohm per 50 ft. of steel cable. **Nylon covered cable (1/8" O.D.). Refer to reelcraft.com for dimensions.

Models listed with an icon can ship same day upon request when the order is received by 11:30 AM Eastern Time for quantities of 10 or fewer.

IN Indiana Warehouse

CA Indiana & California Warehouses

CA California Warehouse

CA Canadian Warehouse

Hand Crank Reels

Up to 150' fuel gas
Up to 200' 12/3 cable



Ideal for applications where space, weight and flexibility are key, these reels are designed for manual winding of air/water/fuel gases hose, electric cord and welding cable. Versatile in function, select configurations to suit specific needs. Safe-T-Reels offer trouble-free management of large capacities of hose or cord.



Side-by-side combinations
T-2462-0



Stacked combinations
T-2464-0

Model without cable	AMP	Reel Capacity		Cable		Shipping Weight		Size Index #
		ft	m	AWG	Cond	lbs	kg	
Single Welding Cable 600 V, 2/0 Cable								
T-1460-0	250	200	61	-----	-----	32	15	2
Single Power Cable - 3 Conductor								
T-1535-003	30	150	45	8	3	18.5	5	1
T-1535-083-100*	33	100	30	8	3	50	23	1
T-1535-103-200*	24	200	61	10	3	81	37	1
T-1535-123-100*	25	100	30	12	3	46	21	1
T-1535-123-200*	20	200	61	12	3	71	32	1

*Includes cable.

		Dimensions - Size Index					
		1		2		3	
		in	mm	in	mm	in	mm
A	19	483	19	483	19	483	
	18	457	18	457	18	457	
B	6	152	6	152	6	152	
	6 1/2	165	6 1/2	165	12 1/2	165	
C	15 3/4	401	16 1/4	412	21 3/4	552	
	Four 1/2" (12.7 mm) diameter mounting holes.						

Model without hose	Hose I.D.		Hose O.D.		Reel Capacity		Pressure		Shipping Weight		Size Index #
	in	mm	in	mm	ft	m	psi	bar	lbs	kg	
Single Spool Air/Water Hose Reels Maximum Temperature 150 °F (65 °C)											
T-1115-08	1/2	13	.844	21	150	46	300	21	18	8	1
T-1116-08	1/2	13	.844	21	250	76	300	21	22	10	3
T-1117-12	3/4	19	1.188	30	50	15	250	17	18	8	1
T-1118-12	3/4	19	1.188	30	75	23	250	17	22	10	3
Single Spool Oxygen/Acetylene T-Grade Seals Maximum Temperature 150 °F (65 °C)											
CA T-1225-04	1/4	6	.530	13	150	45	200	14	19	9	2
T-1225-04-100T*	1/4	6	.530	13	100	30	200	14	44	20	2
T-1226-06	3/8	10	.625	16	100	30	200	14	19	9	2

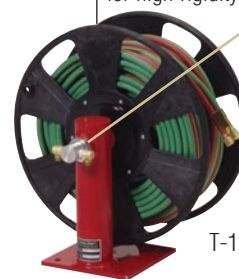
*Includes hose.

Detail of heavy duty shaft

with tapered roller bearing for high rigidity



Shaft sizes are 1" to 1.25" in diameter, supported by tapered roller bearings with 2" to 2.3" housings.



T-1225-04-100T

Model without cable	AMP	Reel Capacity		Shipping Weight		Size Index #
		ft	m	lbs	kg	
Dual Side-by-Side Welding Cable (2) 600 V, 2/0 Cable						
T-2462-0	250	200	61	51	23	5
Dual Stacked Welding Cable (2) 600 V, 2/0 Cable						
CA T-2464-0	250	200	61	62	28	4
Dual Side-by-Side Power Cable/Air Hose						
T-2735-2-0*	35	200	61	40	18	5
		150	45			

*Air hose side has 1/2" (12.7mm) inlet.

		Dimensions - Size Index					
		4		5			
		in	mm	in	mm		
A	38	965	19	483			
	18	457	18	457			
B	6	152	6	152			
	6 1/2	165	6 1/2	165			
C	16 1/4	737	29	737			
	Four 1/2" (12.7 mm) diameter mounting holes.						

Caution: Compressed air hoses should not be converted to oxygen service. Compressed air hoses are often contaminated with an oil coating, which can react explosively when oxygen is introduced. Oxygen/Acetylene cannot be combined with welding cable or power cord. **Note:** Models listed are without hose and/or cable except where listed. Weights listed above are actual product weight without packaging materials. Safe-T-Reels are available with cable or hose and in various combinations. Please consult Reelcraft customer service for additional information.

Models listed with an icon can ship same day upon request when the order is received by 11:30 AM Eastern Time for quantities of 10 or fewer.



Customer Service: 1.855.634.9109
All Other Calls: 1.800.444.3134



Large Frame Hose Reels | Nordic Series 2400

Heavy Duty Large Frame Reels Nordic Series 2400

1/2", 3/4" or 1" fluid path for 1/2" through 1" I.D. hose

Rewind: Gear-drive rewind or chain and sprocket drive powered by A.C. or D.C. electric motor, compressed air motor or hydraulic motor.

Inlet: 1/2" up to 1" female/male NPT 90° swivel joint. Straight swivel joint may be specified at extra cost.

Gooseneck: 1/2" up to 1" female/male NPT. Other sizes and/or threads, including male NST and male garden hose thread, can be furnished when specified.

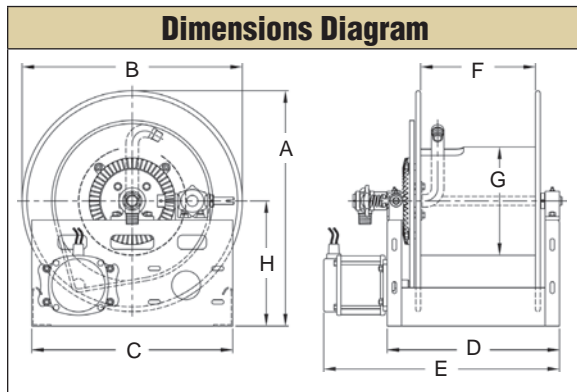
Product temperatures from -20 °F to +225 °F and standard pressures to 3000 psi. Reels to operate at other temperatures or pressures can be furnished at extra cost, consult manufacturer. The standard color for this series is red or gray. Add 12" to B dimension when crank is in rewind position.



1/2" pitch chain
now standard

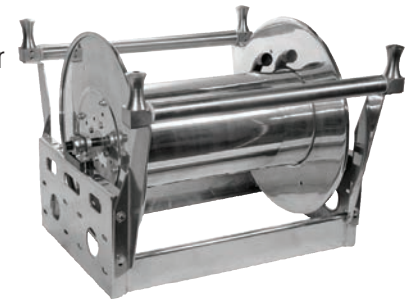
Shown with optional
bevel crank.

Made in USA



Fire Service / Booster Reels

The **aluminum Series 2450** reel for booster hose is corrosion-resistant and weighs up to 50% less than standard steel booster reels. Features include an aluminum spool and frame assembly, plated steel fluid path and plated sprocket and fasteners. **No painting or finishing is required.**



Built to order, not returnable.

Hose I.D.				Specification - Hose Capacity and Reel Dimensions															
Hose O.D.				KEY: CRK = hand crank; ELC = electric motor; HYD = hydraulic motor; AIR = air motor															
Model	Hose Length (other std. lengths available)			Est. Weight		A	B	B	B	B	C	D	E	E	E	E	F	G	H
	ft	m					CRK	ELC	AIR	HYD			CRK	ELC	AIR	HYD			
2400-19-16	ft	285	110	60	70 LB	in	22.5	21	21	21	21	22	26	29	28	28	16	11.25	13
	m	87	34	18	32 KG	mm	572	533	533	533	533	559	660	737	711	711	406	286	330
2400-23-14	ft	390	175	110	74 LB	in	24.5	23	23	23	21	20	24	27	26	26	14	11.25	13
	m	119	53	34	34 KG	mm	622	584	584	584	533	508	610	686	660	660	356	286	330
2400-23-18	ft	490	250	155	78 LB	in	24.5	23	23	23	21	24	28	31	30	30	18	11.25	13
	m	149	76	47	35 KG	mm	622	584	584	584	533	610	711	787	762	762	457	286	330
2400-23-20	ft	535	265	170	80 LB	in	24.5	23	23	23	21	26	30	33	32	32	20	11.25	13
	m	163	81	52	36 KG	mm	622	584	584	584	533	660	762	838	813	813	508	286	330
2400-23-24	ft	660	320	210	84 LB	in	24.5	23	23	23	21	30	34	37	36	36	24	11.25	13
	m	201	98	64	38 KG	mm	622	584	584	584	533	762	864	940	914	914	610	286	330
2400-25-8	ft	265	135	95	72 LB	in	26.5	25	25	25	21	14	18	21	20	20	8	11.25	14
	m	81	41	29	33 KG	mm	673	635	635	635	533	356	457	533	508	508	203	286	356
2400-25-14	ft	465	225	150	74 LB	in	26.5	25	25	25	21	20	24	27	26	26	14	11.25	14
	m	142	69	46	34 KG	mm	673	635	635	635	533	508	610	686	660	660	356	286	356
2400-31-8	ft	465	205	155	74 LB	in	32.5	31	31	31	31	24	14	18	21	20	8	11.25	17
	m	142	62	47	34 KG	mm	826	787	787	787	787	610	356	457	533	508	508	203	286
2400-31-10	ft	565	240	185	76 LB	in	32.5	31	31	31	31	24	16	20	23	22	10	11.25	17
	m	172	73	56	34 KG	mm	826	787	787	787	787	610	406	508	584	559	559	254	286
2400-31-16	ft	925	410	305	80 LB	in	32.5	31	31	31	31	24	22	26	29	28	16	11.25	17
	m	282	125	93	36 KG	mm	826	787	787	787	787	610	559	660	737	711	711	406	286

Final part number assigned upon quote. Refer to chart on page 11 for weight adders.

Heavy Duty Large Frame Reels Nordic Series 3900

1 1/2" fluid path for 1" through 1 1/2" I.D. hose

Rewind: Gear-drive rewind or chain and sprocket drive powered by A.C. or D.C. electric motor, compressed air motor or hydraulic motor.

Inlet: 2" straight grooved fitting with 1 1/2" female NPT straight swivel joint is standard. 2" 90° grooved fitting with 1 1/2" NPT female available at extra cost.

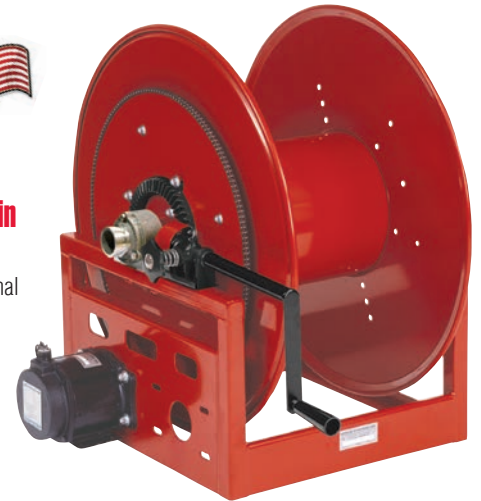
Gooseneck: 1", 1 1/4" and 1 1/2" female/male NPT outlet. Other sizes and/or threads can be furnished and must be specified.

Add 12" to B dimension when crank is in rewind position.
The standard color for this series is red or gray.

Made in USA 

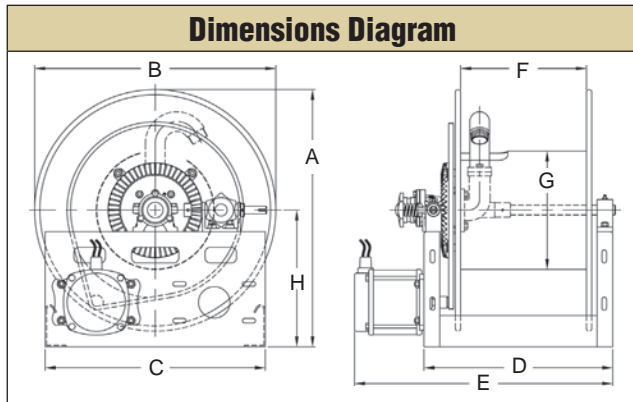
1/2" pitch chain now standard

Shown with optional bevel crank.



Built to order, not returnable.

Standard seals maximum temperature 174 °F (79 °C) and minimum temperature -20 °F (-29 °C). Extreme temperature seals maximum temperature 400 °F (204 °C) and minimum temperature -50 °F (-45 °C) and standard pressures to 600 psi. Other temperatures or pressures can be furnished at extra cost, consult manufacturer.



Note: Weights shown in chart are for crank rewind models.

Add these amounts and model number prefix for power rewind models.

Prefix	Type	LB / KG
EP	Electric	42 / 19
A	Air	26 / 12
H	Hyd	26 / 12

Hose I.D.	Hose Length				Est. Weight	Specification - Hose Capacity and Reel Dimensions															
	in	1	1 1/4	1 3/8		KEY: CRK = hand crank; ELC = electric motor; HYD = hydraulic motor; AIR = air motor															
Hose O.D.	mm	25	32	35	38	A		B CRK	B ELC	B AIR	B HYD	C	D	E CRK	E ELC	E AIR	E HYD	F	G	H	
	mm	1.563	1.813	2.000	2.063	in	22.5	21	21	21	21	21	22	26	29	28	28	16	11.25	13	
	mm	40	46	51	52	mm	572	533	533	533	533	533	559	660	737	711	711	406	286	330	
3900-19-16	ft	60	50	50	45	90 LB	in	22.5	21	21	21	21	22	26	29	28	28	16	11.25	13	
	m	18	15	15	14	41 KG	mm	572	533	533	533	533	559	660	737	711	711	406	286	330	
3900-19-20	ft	70	65	60	55	93 LB	in	22.5	21	21	21	21	26	30	33	32	32	20	11.25	13	
	m	21	20	18	17	42 KG	mm	572	533	533	533	533	660	762	838	813	813	508	286	330	
3900-23-12	ft	100	60	60	50	87 LB	in	24.5	23	23	23	21	18	22	25	24	24	12	11.25	13	
	m	30	18	18	15	39 KG	mm	622	584	584	584	533	457	559	635	610	610	305	286	330	
3900-23-18	ft	155	90	95	85	93 LB	in	24.5	23	23	23	21	24	28	31	30	30	18	11.25	13	
	m	47	27	29	26	42 KG	mm	622	584	584	584	533	610	711	787	762	762	457	286	330	
3900-23-20	ft	170	110	105	95	95 LB	in	24.5	23	23	23	21	26	30	33	32	32	20	11.25	13	
	m	52	34	32	29	42 KG	mm	622	584	584	584	533	660	762	838	813	813	508	286	330	
3900-23-26	ft	225	140	135	125	100 LB	in	24.5	23	23	23	21	32	36	39	38	38	26	11.25	13	
	m	69	43	41	38	45 KG	mm	622	584	584	584	533	813	914	991	965	965	660	286	330	
3900-23-28	ft	240	150	145	135	103 LB	in	24.5	23	23	23	21	34	38	41	40	40	28	11.25	13	
	m	73	46	44	41	47 KG	mm	622	584	584	584	533	864	965	1041	1016	1016	711	286	330	
3900-23-36	ft	325	190	185	180	111 LB	in	24.5	23	23	23	21	42	46	49	48	48	36	11.25	13	
	m	99	58	56	55	50 KG	mm	622	584	584	584	533	1067	1168	1245	1219	1219	914	286	330	
3900-25-12	ft	135	90	60	50	89 LB	in	26.5	25	25	25	21	18	22	25	24	24	12	11.25	14	
	m	41	27	18	15	40 KG	mm	673	635	635	635	533	457	559	635	610	610	305	286	356	
3900-25-20	ft	230	160	105	95	97 LB	in	26.5	25	25	25	21	26	30	33	32	32	20	11.25	14	
	m	70	49	32	29	44 KG	mm	673	635	635	635	533	660	762	838	813	813	508	286	356	
3900-31-12	ft	215	155	125	105	92 LB	in	32.5	31	31	31	31	24	18	22	25	24	12	11.25	17	
	m	66	47	38	32	42 KG	mm	826	787	787	787	787	610	457	559	635	610	610	305	286	432
3900-31-16	ft	305	210	170	150	96 LB	in	32.5	31	31	31	31	24	22	26	29	28	16	11.25	17	
	m	93	64	52	46	44 KG	mm	826	787	787	787	787	610	559	660	737	711	711	406	286	432
3900-31-20	ft	365	290	210	190	100 LB	in	32.5	31	31	31	31	24	26	30	33	32	20	11.25	17	
	m	111	88	64	58	45 KG	mm	826	787	787	787	787	610	660	762	838	813	508	286	432	

Final part number assigned upon quote.

North America and Corporate Headquarters

2842 E. Business Hwy 30
Columbia City, IN 46725

Customer Service: 855-634-9109

Ph: 800-444-3134 • Fax: 800-444-4587

Ph: 260-248-8188 • Fax: 260-248-2605

reelcraft@reelcraft.com

www.reelcraft.com

Latin America and the Middle East

Thompson International, Inc.

P.O. Box 12958, Ft. Wayne, IN 46866

Ph: 260-489-1685 • Fax: 260-489-0203

info@t-i-i.com

www.reelcraft.com/latinamerica

Pacific Rim

P.O. Box 53776, Clark Freeport Zone
Philippines 2023

Ph: +63 (45) 625-6624

Fax: +63 (45) 321-0643

rap@comclark.com

www.reelcraft.com/asia

Europe

Unit 17 • Cronin Courtyard

Weldon South Industrial Estate

Corby • Northamptonshire NN18 8AG

United Kingdom

Ph: +44 (0) 1536 406999

Fax: +44 (0) 1536 406777

europa@reelcraft.com

www.reelcraft.com/europe

China

Reelcraft Changzhou Co., Ltd.

Building C, No. 229 HeHai West Road

Changzhou, Jiangsu, China 213022

Ph: +86 (519) 8512 2391 ext. 8002

Fax: +86 (519) 8512 9309

rco@reelcraftchina.com

www.reelcraftchina.com

Australia

PO Box 6463 BC, Blacktown

NSW 2148, Australia

Ph: +61 (2) 9621 8988

Fax: +61 (2) 9621 7688

sales@recoila.com

www.reelcraft.com